

## Quick Start

Thank you for purchasing the MSI® **MAG B560 TOMAHAWK WIFI/ MAG B560 TORPEDO** motherboard. This Quick Start section provides demonstration diagrams about how to install your computer. Some of the installations also provide video demonstrations. Please link to the URL to watch it with the web browser on your phone or tablet. You may have even link to the URL by scanning the QR code.

## Kurzanleitung

Danke, dass Sie das MSI® **MAG B560 TOMAHAWK WIFI/ MAG B560 TORPEDO** Motherboard gewählt haben. Dieser Abschnitt der Kurzanleitung bietet eine Demo zur Installation Ihres Computers. Manche Installationen bieten auch die Videodemonstrationen. Klicken Sie auf die URL, um diese Videoanleitung mit Ihrem Browser auf Ihrem Handy oder Table anzusehen. Oder scannen Sie auch den QR Code mit Ihrem Handy, um die URL zu öffnen.

## Présentation rapide

Merci d'avoir choisi la carte mère MSI® **MAG B560 TOMAHAWK WIFI/ MAG B560 TORPEDO**. Ce manuel fournit une rapide présentation avec des illustrations explicatives qui vous aideront à assembler votre ordinateur. Des tutoriels vidéo sont disponibles pour certaines étapes. Cliquez sur le lien fourni pour regarder la vidéo sur votre téléphone ou votre tablette. Vous pouvez également accéder au lien en scannant le QR code qui lui est associé.

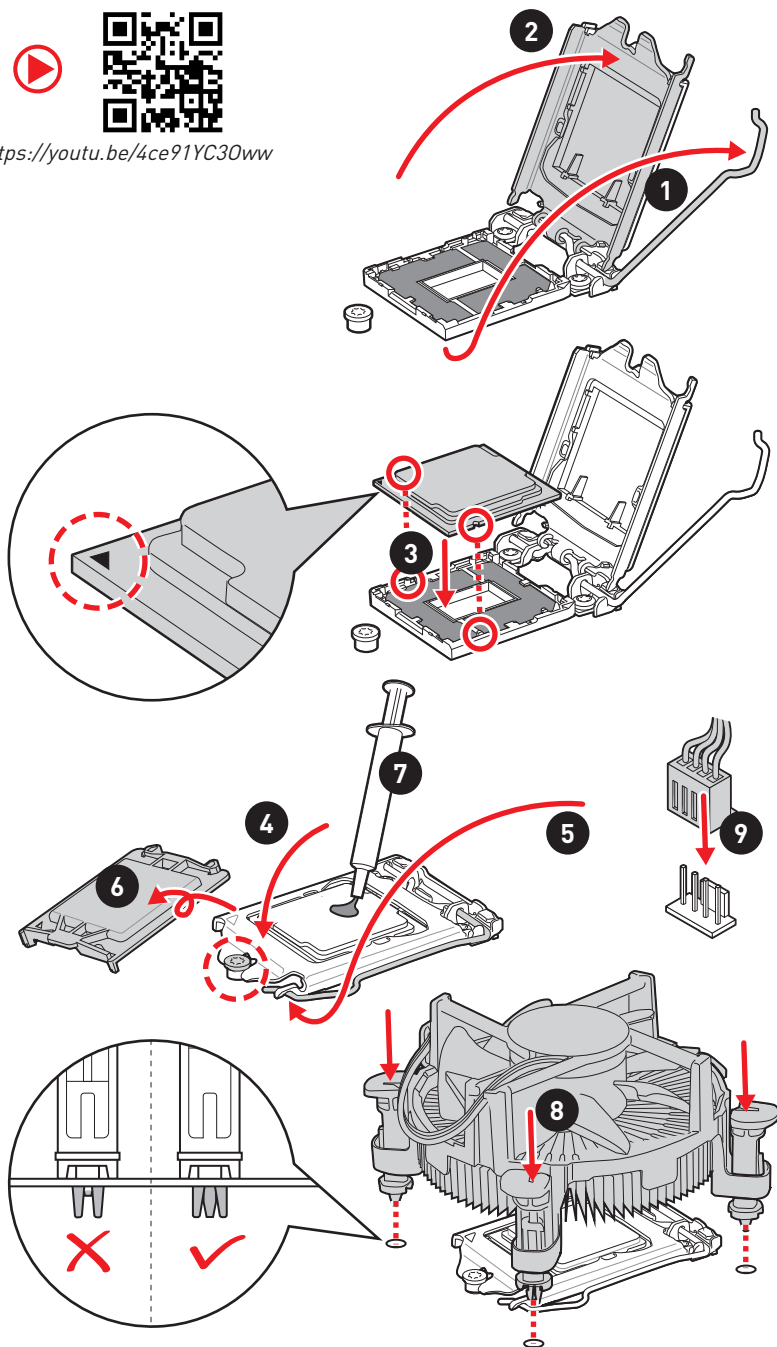
## Быстрый старт

Благодарим вас за покупку материнской платы MSI® **MAG B560 TOMAHAWK WIFI/ MAG B560 TORPEDO**. В этом разделе представлена информация, которая поможет вам при сборке компьютера. Для некоторых этапов сборки имеются видеоруководства. Для просмотра видео, необходимо открыть соответствующую ссылку в веб-браузере на вашем телефоне или планшете. Вы также можете выполнить переход по ссылке, путем сканирования QR-кода.

# Installing a Processor/ Installation des Prozessors/ Installer un processeur/ Установка процессора



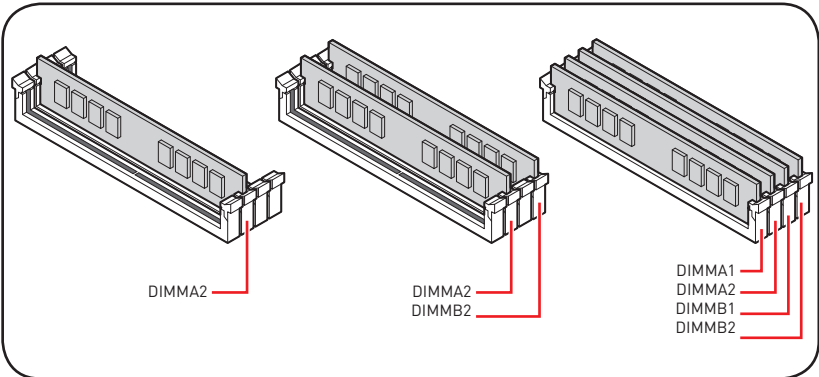
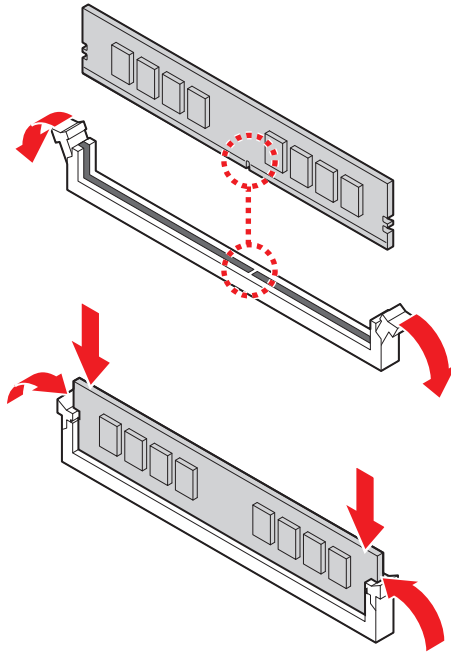
<https://youtu.be/4ce91YC30ww>



# Installing DDR4 memory/ Installation des DDR4-Speichers/ Installer une mémoire DDR4/ Установка памяти DDR4



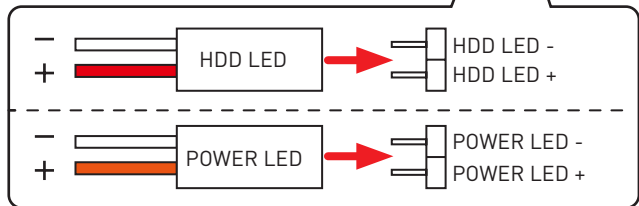
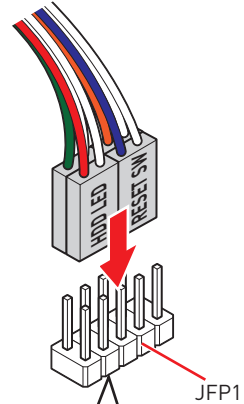
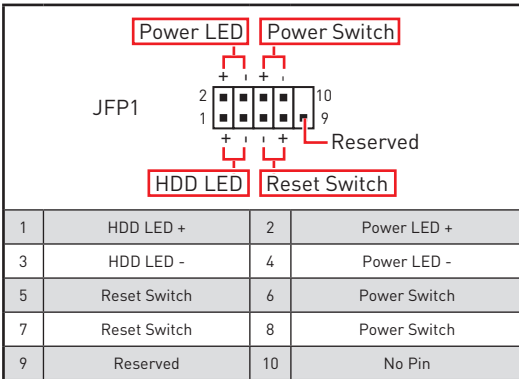
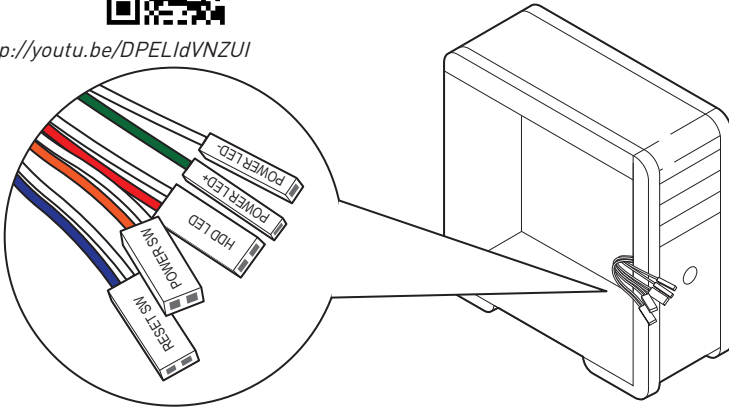
<http://youtu.be/T03aDrJPYqs>



# Connecting the Front Panel Header/ Anschließen der Frontpanel-Stiftleiste/ Connecter un connecteur du panneau avant/ Подключение разъемов передней панели



<http://youtu.be/DPELldVNZUI>

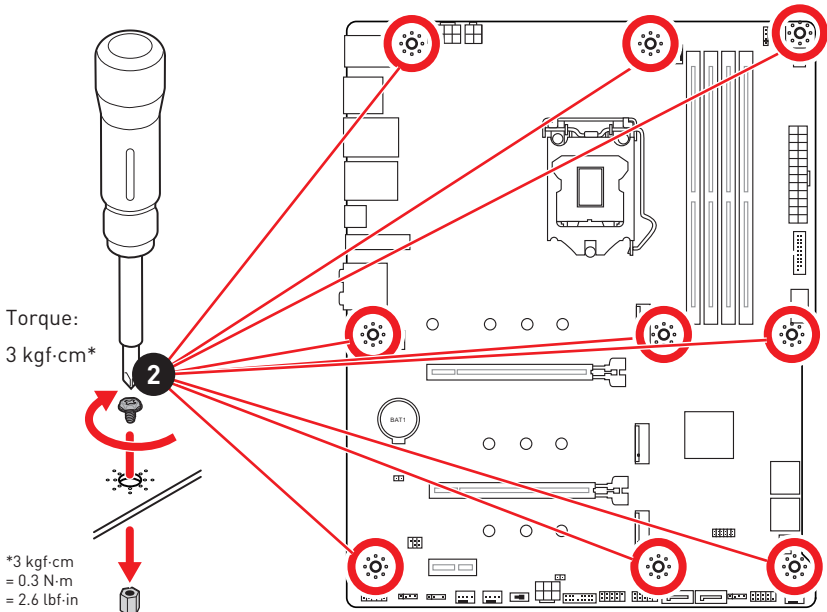
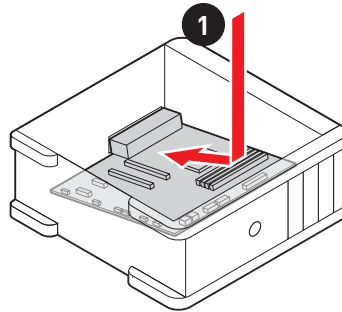
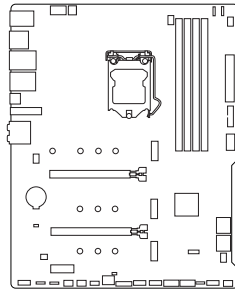


# Installing the Motherboard/ Installation des Motherboards/ Installer la carte mère/ Установка материнской платы

Youtube



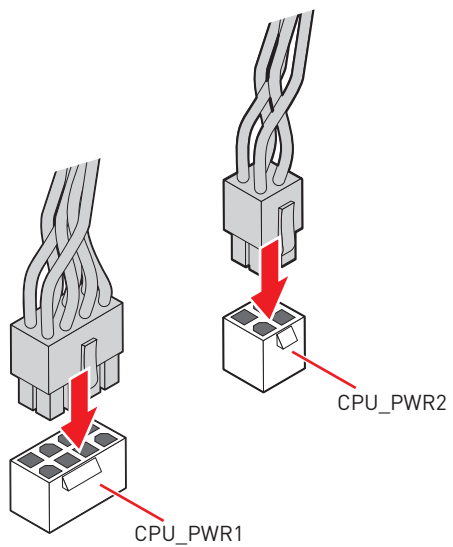
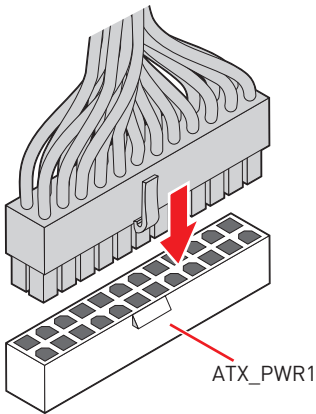
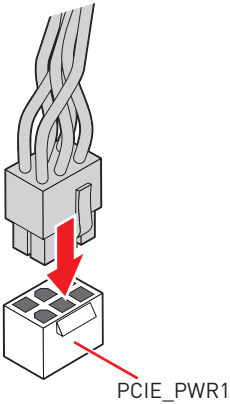
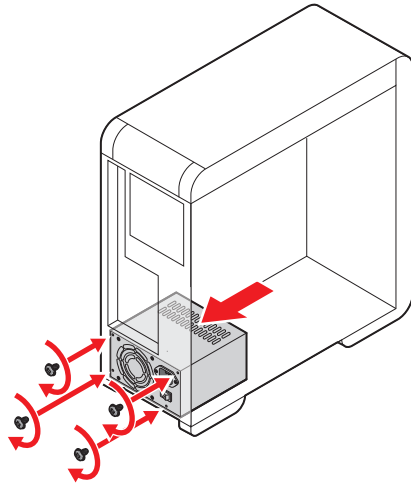
<https://youtu.be/wWl6Qt51Wnc>



# Connecting the Power Connectors/ Stromanschlüsse anschiessen/ Connecter les câbles du module d'alimentation/ Подключение разъемов питания



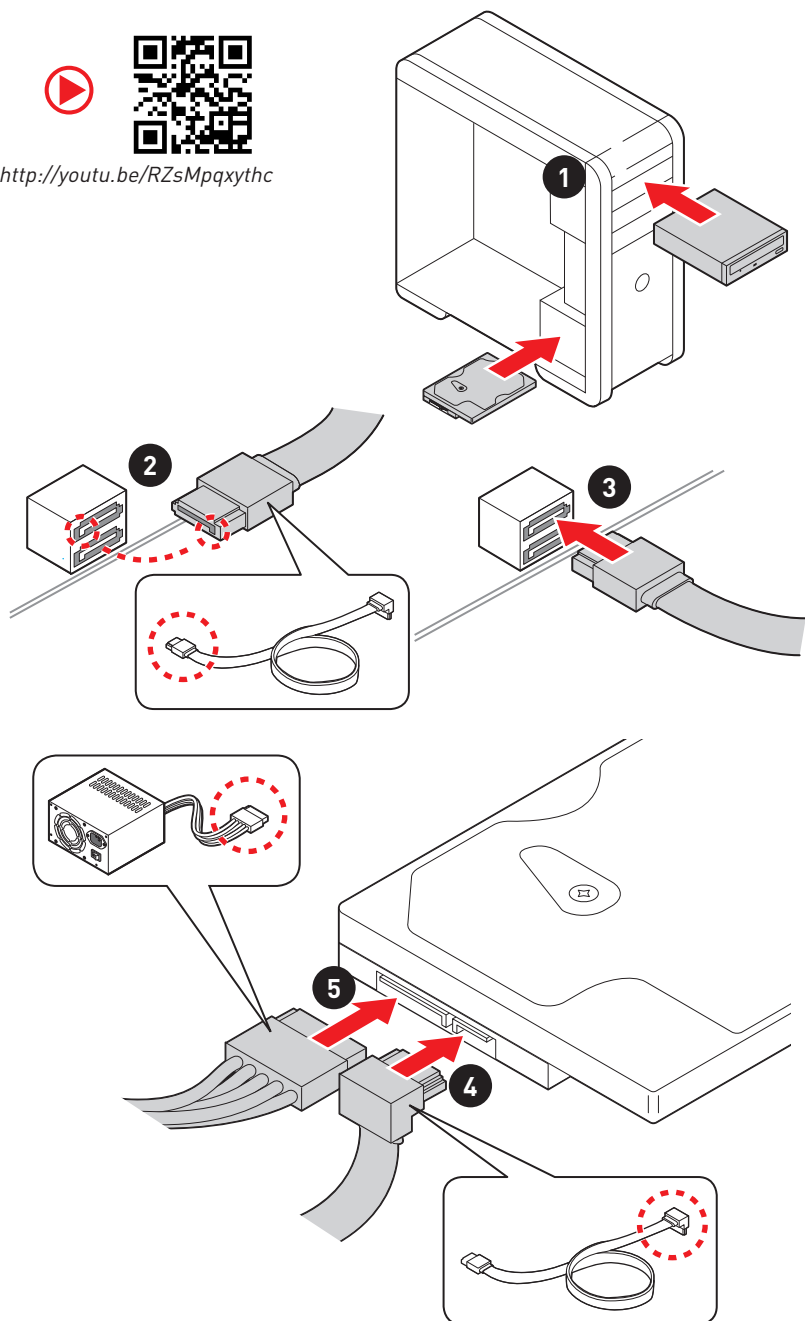
[http://youtu.be/gkDYyR\\_83I4](http://youtu.be/gkDYyR_83I4)



# Installing SATA Drives/ Installation der SATA-Laufwerke/ Installer le disque dur SATA/ Установка дисков SATA



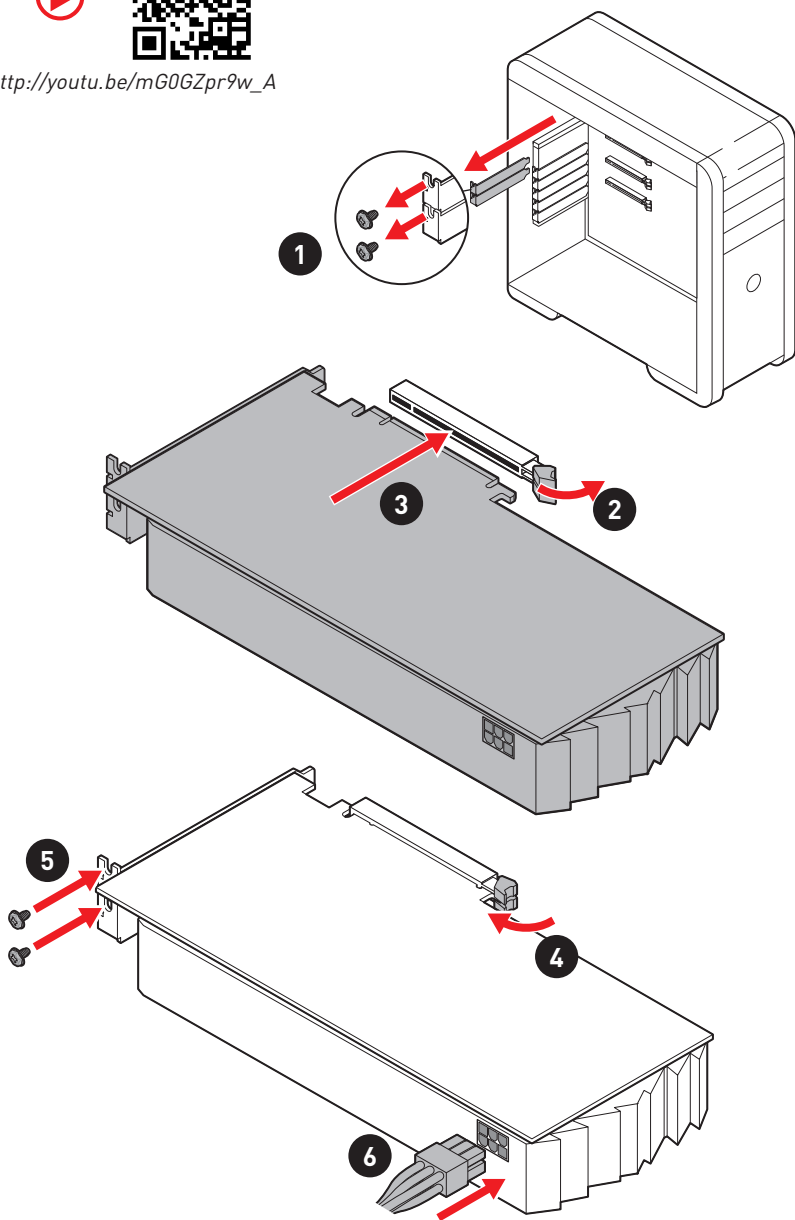
<http://youtu.be/RZsMpqxythc>



# Installing a Graphics Card/ Einbau der Grafikkarte/ Installer une carte graphique/ Установка дискретной видеокарты



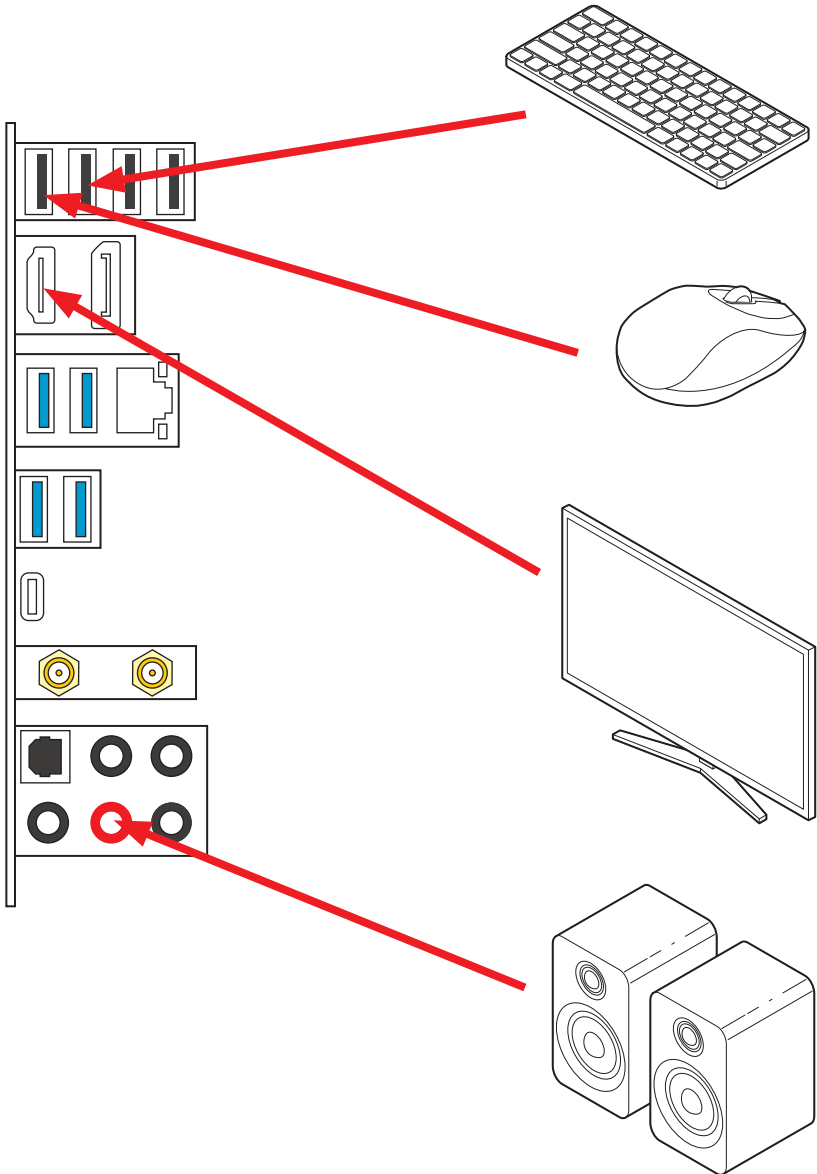
[http://youtu.be/mG0GZpr9w\\_A](http://youtu.be/mG0GZpr9w_A)



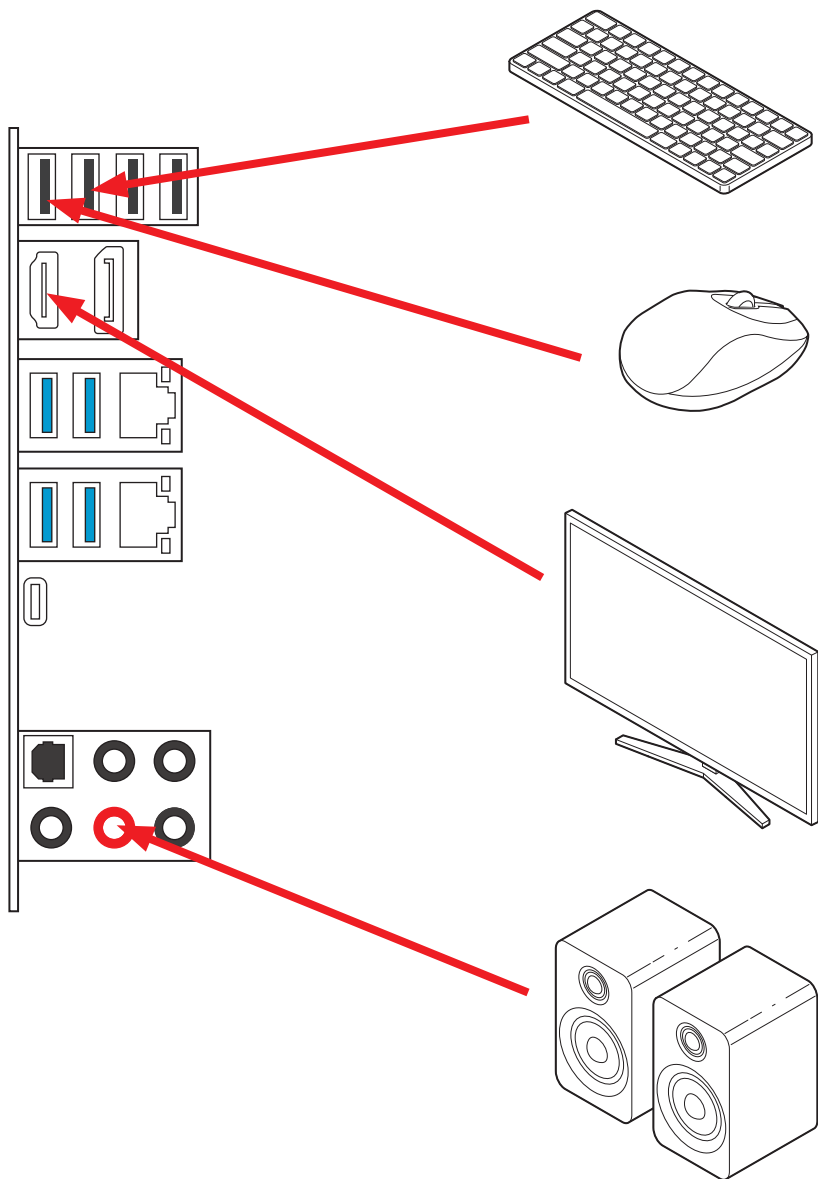


# Connecting Peripheral Devices/ Peripheriegeräte/ Connecter un périphérique anschliessen/ Подключение периферийных устройств

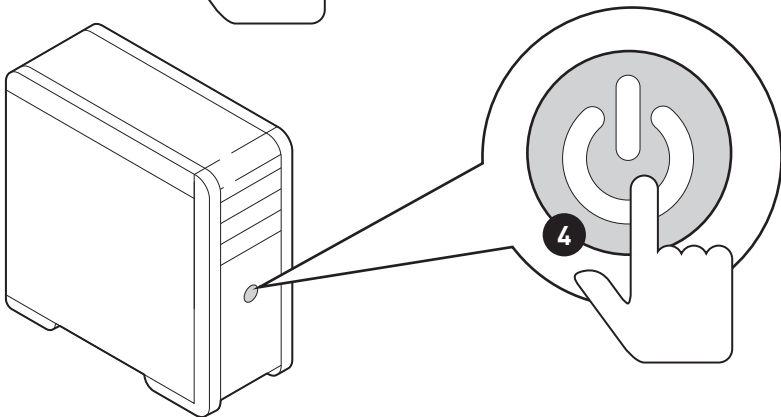
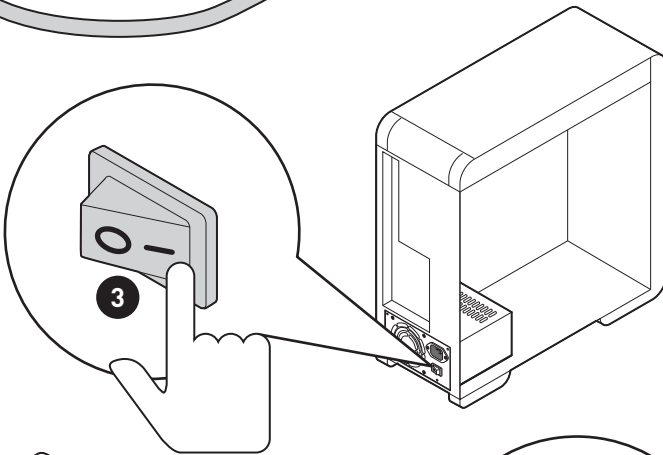
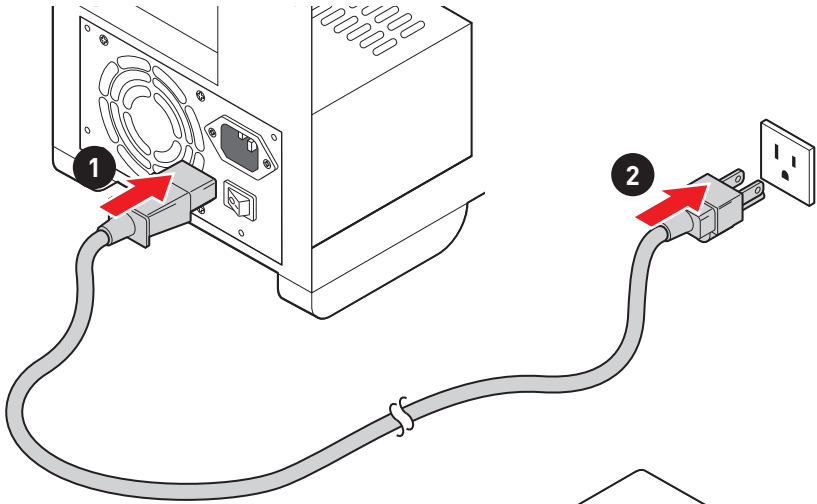
- MAG B560 TOMAHAWK WIFI



• MAG B560 TORPEDO



**Power On/ Einschalten/ Mettre sous-tension/ Включение  
питания**





# Contents

<b>Safety Information</b> .....	<b>3</b>
Case stand-off notification .....	4
<b>Specifications</b> .....	<b>5</b>
<b>Package contents</b> .....	<b>12</b>
<b>Rear I/O Panel</b> .....	<b>13</b>
LAN Port LED Status Table .....	14
Audio Ports Configuration .....	14
Realtek Audio Console .....	14
<b>Overview of Components</b> .....	<b>18</b>
CPU Socket .....	19
DIMM Slots.....	20
PCI_E1~3: PCIe Expansion Slots.....	21
JAUD1: Front Audio Connector .....	21
M2_1~3: M.2 Slots (Key M) .....	22
SATA1~6: SATA 6Gb/s Connectors.....	24
JFP1, JFP2: Front Panel Connectors.....	25
JTPM1: TPM Module Connector.....	25
CPU_PWR1~2, ATX_PWR1, PCIE_PWR1: Power Connectors .....	26
JUSB4: USB 3.2 Gen 2 Type-C Connector.....	27
JUSB3: USB 3.2 Gen 1 Connector .....	27
JUSB1~2: USB 2.0 Connectors.....	28
JTBT1: Thunderbolt Add-on Card Connector .....	28
CPU_FAN1, PUMP_FAN1, SYS_FAN1~5: Fan Connectors.....	29
JCI1: Chassis Intrusion Connector.....	30
JBAT1: Clear CMOS (Reset BIOS) Jumper.....	31
JDASH1 : Tuning Controller connector.....	31
JRGB1~2: RGB LED connectors .....	32
JRAINBOW1~2: Addressable RGB LED connectors .....	33
<b>Onboard LEDs</b> .....	<b>34</b>
EZ Debug LED.....	34
LED_SW1: EZ LED Control .....	34

<b>Installing OS, Drivers &amp; MSI Center</b> .....	<b>35</b>
Installing Windows® 10.....	35
Installing Drivers.....	35
MSI Center.....	35
<b>UEFI BIOS</b> .....	<b>36</b>
BIOS Setup.....	37
Entering BIOS Setup.....	37
BIOS User Guide.....	37
Resetting BIOS.....	38
Updating BIOS.....	38

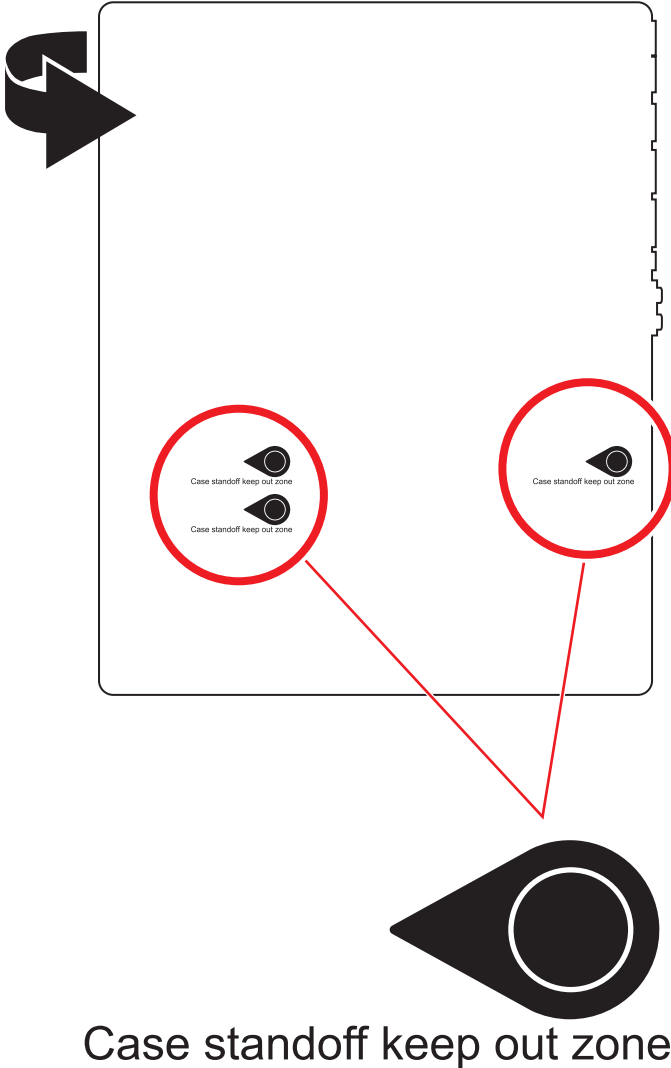
# Safety Information

- The components included in this package are prone to damage from electrostatic discharge (ESD). Please adhere to the following instructions to ensure successful computer assembly.
- Ensure that all components are securely connected. Loose connections may cause the computer to not recognize a component or fail to start.
- Hold the motherboard by the edges to avoid touching sensitive components.
- It is recommended to wear an electrostatic discharge (ESD) wrist strap when handling the motherboard to prevent electrostatic damage. If an ESD wrist strap is not available, discharge yourself of static electricity by touching another metal object before handling the motherboard.
- Store the motherboard in an electrostatic shielding container or on an anti-static pad whenever the motherboard is not installed.
- Before turning on the computer, ensure that there are no loose screws or metal components on the motherboard or anywhere within the computer case.
- Do not boot the computer before installation is completed. This could cause permanent damage to the components as well as injury to the user.
- If you need help during any installation step, please consult a certified computer technician.
- Always turn off the power supply and unplug the power cord from the power outlet before installing or removing any computer component.
- Keep this user guide for future reference.
- Keep this motherboard away from humidity.
- Make sure that your electrical outlet provides the same voltage as is indicated on the PSU, before connecting the PSU to the electrical outlet.
- Place the power cord such a way that people can not step on it. Do not place anything over the power cord.
- All cautions and warnings on the motherboard should be noted.
- If any of the following situations arises, get the motherboard checked by service personnel:
  - Liquid has penetrated into the computer.
  - The motherboard has been exposed to moisture.
  - The motherboard does not work well or you can not get it work according to user guide.
  - The motherboard has been dropped and damaged.
  - The motherboard has obvious sign of breakage.
- Do not leave this motherboard in an environment above 60°C (140°F), it may damage the motherboard.

## Case stand-off notification

Before installing the motherboard into the case, install first the necessary mounting stand-off required for a motherboard on the mounting plate in the case.

To prevent damage to the motherboard, any unnecessary mounting stand-off between the motherboard circuits and the computer case is prohibited. The Case standoff keep out zone signs will be marked on the backside of motherboard (as shown below) to serve as a warning to user.





# Specifications

<b>CPU</b>	<ul style="list-style-type: none"> <li>• Supports 10th Gen Intel® Core™ Processors, 11th Gen Intel® Core™ Processors, Pentium® Gold and Celeron® Processors*</li> <li>• Processor socket LGA1200</li> </ul> <p>* Please go to <a href="http://intel.com">intel.com</a> for compatibility information.</p>
<b>Chipset</b>	Intel® B560 Chipset
<b>Memory</b>	<ul style="list-style-type: none"> <li>• 4x DDR4 memory slots, support up to 128GB*             <ul style="list-style-type: none"> <li>▪ Supports 1R 2133/ 2666/ 2933 MHz for 10th Gen Intel® CPU (by JEDEC &amp; POR)</li> <li>▪ Supports 1R 2133/ 2666/ 2933/ 3200 MHz for 11th Gen Intel® CPU (by JEDEC &amp; POR)</li> <li>▪ Max overclocking frequency:                 <ul style="list-style-type: none"> <li>▫ 1DPC 1R Max speed up to 5066 MHz</li> <li>▫ 1DPC 2R Max speed up to 4600+ MHz</li> <li>▫ 2DPC 1R Max speed up to 4266+ MHz</li> <li>▫ 2DPC 2R Max speed up to 4000+ MHz</li> </ul> </li> </ul> </li> <li>• Supports Dual-Channel mode</li> <li>• Supports non-ECC, un-buffered memory</li> <li>• Supports Intel® Extreme Memory Profile (XMP)</li> </ul> <p>* Please refer to <a href="http://www.msi.com">www.msi.com</a> for more information on compatible memory</p>
<b>Expansion Slot</b>	<ul style="list-style-type: none"> <li>• 2x PCIe x16 slots             <ul style="list-style-type: none"> <li>▪ PCI_E1 (from CPU)                 <ul style="list-style-type: none"> <li>▫ Support up to PCIe 4.0 for 11th Gen Intel® CPU</li> <li>▫ Support up to PCIe 3.0 for 10th Gen Intel® CPU</li> </ul> </li> <li>▪ PCI_E2 (from B560 chipset)                 <ul style="list-style-type: none"> <li>▫ Support up to PCIe 3.0 x4</li> </ul> </li> </ul> </li> <li>• 1x PCIe 3.0 x1 slot (from B560 chipset)</li> </ul>
<b>Multi-GPU</b>	<ul style="list-style-type: none"> <li>• Supports 2-Way AMD® CrossFire™ Technology</li> </ul>
<b>Onboard Graphics</b>	<ul style="list-style-type: none"> <li>• 1x HDMI 2.0b with HDR port, supports a maximum resolution of 4K 60Hz*/**</li> <li>• 1x DisplayPort 1.4 port, supports a maximum resolution of 4K 60Hz*/**</li> </ul> <p>* Available only on processors featuring integrated graphics.          ** Graphics specifications may vary depending on the CPU installed.</p>

Continued on next column

Continued from previous column

<b>Storage</b>	<ul style="list-style-type: none"><li>• 6x SATA 6Gb/s ports (from B560 chipset)</li><li>• 3x M.2 slots (Key M)<ul style="list-style-type: none"><li>▪ M2_1 slot (from CPU)<ul style="list-style-type: none"><li>▫ Available only on 11th Gen Intel® CPU</li><li>▫ Supports up to PCIe 4.0 x4</li><li>▫ Supports 2242/ 2260/ 2280/ 22110 storage devices</li></ul></li><li>▪ M2_2* slot (from B560 chipset)<ul style="list-style-type: none"><li>▫ Supports up to PCIe 3.0 x4</li><li>▫ Supports SATA up to 6Gb/s</li><li>▫ Supports 2242/ 2260/ 2280 storage devices</li></ul></li><li>▪ M2_3 slot (from B560 chipset)<ul style="list-style-type: none"><li>▫ Supports up to PCIe 3.0 x4</li><li>▫ Supports 2242/ 2260/ 2280 storage devices</li><li>▫ Intel® Optane™ Memory Ready**</li></ul></li></ul></li><li>• Supports Intel® Smart Response Technology for Intel Core™ processors</li></ul> <p>* SATA1 will be unavailable when installing M.2 SATA SSD in the M2_2 slot. ** Before using Intel® Optane™ memory modules, please ensure that you have updated the drivers and BIOS to the latest version from MSI website.</p>
<b>USB</b>	<ul style="list-style-type: none"><li>• Intel® B560 Chipset<ul style="list-style-type: none"><li>▪ 1x USB3.2 Gen 2x2 20Gbps port (Type-C port on the back panel)</li><li>▪ 1x USB 3.2 Gen 2 10Gbps port (1 Type-C available through the internal connector)</li><li>▪ 6x USB 3.2 Gen 1 5Gbps ports (4 Type-A ports on the back panel, 2 Type-A ports available through the internal connector)</li><li>▪ 4x USB 2.0 ports on the back panel</li></ul></li><li>• Hub-GL850G<ul style="list-style-type: none"><li>▪ 4x USB 2.0 ports available through the internal connectors</li></ul></li></ul>
<b>Audio</b>	<p>Realtek® ALC897 Codec</p> <ul style="list-style-type: none"><li>• 7.1-Channel High Definition Audio</li><li>• Supports S/PDIF output</li></ul>

Continued on next column

Continued from previous column

<b>LAN</b>	<ul style="list-style-type: none"> <li>• 1x Realtek® RTL8125B 2.5Gbps LAN controller</li> <li>• 1x Intel® I219V 1Gbps LAN controller (For MAG B560 TORPEDO only)</li> </ul>
<b>Wireless LAN &amp; Bluetooth®</b>	<p>Intel® Wi-Fi 6E AX210</p> <ul style="list-style-type: none"> <li>• The Wireless module is pre-installed in the M.2 (Key-E) slot</li> <li>• Supports MU-MIMO TX/RX, 2.4GHz/ 5GHz/ 6GHz* (160MHz) up to 2.4Gbps</li> <li>• Supports 802.11 a/ b/ g/ n/ ac/ ax</li> <li>• Supports Bluetooth® 5.2**, FIPS, FISMA</li> </ul> <p>* Wi-Fi 6E 6GHz may depend on every country's regulations and will be ready in WIN10 21H1.  ** Bluetooth 5.2 will be ready in WIN10 21H1.</p>
<b>Internal Connectors</b>	<ul style="list-style-type: none"> <li>• 1x 24-pin ATX main power connector</li> <li>• 1x 8-pin ATX 12V power connector</li> <li>• 1x 4-pin ATX 12V power connector</li> <li>• 1x 6-pin PCIE power connector</li> <li>• 6x SATA 6Gb/s connectors</li> <li>• 3x M.2 slots (M-Key)</li> <li>• 1x USB 3.2 Gen 2 10Gbps Type-C port</li> <li>• 1x USB 3.2 Gen 1 5Gbps connector (supports additional 2 USB 3.2 Gen 1 5Gbps ports)</li> <li>• 2x USB 2.0 connectors (supports additional 4 USB 2.0 ports)</li> <li>• 1x 4-pin CPU fan connector</li> <li>• 1x 4-pin water-pump fan connector</li> <li>• 5x 4-pin system fan connectors</li> <li>• 1x Front panel audio connector</li> <li>• 2x System panel connectors</li> <li>• 1x Chassis Intrusion connector</li> <li>• 1x Clear CMOS jumper</li> <li>• 1x TPM module connector</li> <li>• 1x TBT connector (supports RTD3)</li> <li>• 1x Tuning Controller connector</li> </ul>

Continued on next column

Continued from previous column

<b>LED Features</b>	<ul style="list-style-type: none"><li>• 1x EZ LED Control switch</li><li>• 2x 4-pin RGB LED connectors</li><li>• 2x 3-pin RAINBOW LED connectors</li><li>• 4x EZ Debug LED</li></ul>
<b>Back Panel Connectors</b>	<ul style="list-style-type: none"><li>• 4x USB 2.0 Type-A ports</li><li>• 1x DisplayPort</li><li>• 1x HDMI port</li><li>• 4x USB 3.2 Gen 1 5Gbps Type-A ports</li><li>• 1x USB 3.2 Gen 2x2 20Gbps Type-C port</li><li>• 1x 2.5G LAN (RJ45) port</li><li>• 1x 1G LAN (RJ45) port (For MAG B560 TORPEDO only)</li><li>• 2x Wi-Fi Antenna connectors (For MAG B560 TOMAHAWK WIFI only)</li><li>• 5x audio jacks</li><li>• 1x Optical S/PDIF OUT connector</li></ul>
<b>I/O Controller</b>	NUVOTON NCT6687-R Controller Chip
<b>Hardware Monitor</b>	<ul style="list-style-type: none"><li>• CPU/ System/ Chipset temperature detection</li><li>• CPU/ System/ Pump fan speed detection</li><li>• CPU/ System/ Pump fan speed control</li></ul>
<b>Form Factor</b>	<ul style="list-style-type: none"><li>• ATX Form Factor</li><li>• 12 in. x 9.6 in. (30.5 cm x 24.4 cm)</li></ul>
<b>BIOS Features</b>	<ul style="list-style-type: none"><li>• 1x 256 Mb flash</li><li>• UEFI AMI BIOS</li><li>• ACPI 6.2, SMBIOS 3.0</li><li>• Multi-language</li></ul>

Continued on next column

Continued from previous column

<b>Software</b>	<ul style="list-style-type: none"><li>• Drivers</li><li>• MSI Center</li><li>• MSI APP Player (BlueStacks)</li><li>• Open Broadcaster Software (OBS)</li><li>• CPU-Z MSI GAMING</li><li>• Intel® Extreme Tuning Utility</li><li>• Google Chrome™, Google Toolbar, Google Drive</li><li>• Norton™ Internet Security Solution</li></ul>
<b>MSI Center Features</b>	<ul style="list-style-type: none"><li>• MSI Sound Tune</li><li>• Gaming Mode</li><li>• Creator Mode</li><li>• Game Highlights</li><li>• LAN Manager</li><li>• Mystic Light</li><li>• Ambient Link</li><li>• Frozr AI Cooling</li><li>• User Scenario</li><li>• True Color</li><li>• Live Update</li><li>• Monitor</li><li>• Super Charger</li><li>• Speed Up</li></ul>

Continued on next column

Continued from previous column

**Special Features**

- Audio
  - Audio Boost
  - Sound Tune
- Network
  - 2.5G LAN
  - LAN Manager
  - Intel Wi-Fi AX210 (For MAG B560 TOMAHAWK WIFI only)
- Cooling
  - All Aluminum Design
  - Extended Heatsink Design
  - M.2 Shield Frozr
  - K7 thermal pad
  - Choke pad
  - Pump Fan
  - Smart Fan Control

Continued on next column

Continued from previous column

## Special Features

- LED
  - Mystic Light
  - Mystic Light Extension (RAINBOW/RGB)
  - Mystic Light SYNC
  - Ambient Link (For MAG B560 TOMAHAWK WIFI only)
  - EZ LED Control
  - EZ DEBUG LED
- Performance
  - Lightning Gen 4 PCI-E Slot
  - Lightning Gen 4 M.2
  - Multi GPU-CrossFire Technology
  - DDR4 Boost
  - Core Boost
  - OC Engine
  - Lightning USB 20G
  - USB 3.2 Gen 2 10G
  - USB with Type A+C
  - Front USB Type-C
  - Dual CPU Power
  - SUPPLEMENTAL PCIE POWER CONNECTOR
  - 2oz Copper thickened PCB
- Protection
  - PCI-E Steel Armor
  - Pre-installed I/O Shielding
- Experience
  - MSI Center
  - Click BIOS 5
  - CPU Cooler Tuning

# Package contents

Please check the contents of your motherboard package. It should contain:

<b>Motherboard</b>	MAG B560 TOMAHAWK WIFI/ MAG B560 TORPEDO	
<b>Documentation</b>	User manual	1
	Quick installation guide	1
	MSI reward program card	1
<b>Application</b>	Driver DVD	1
<b>Cables</b>	SATA 6Gb/s cables (2 cables/pack)	1
<b>Accessories</b>	Wi-Fi antenna (For MAG B560 TOMAHAWK WIFI only)	1
	Case badge	1
	M.2 screw + standoff (2 sets/pack)	1
	M.2 screw + standoff (1 set/pack)	1
	MAG sticker	1
	Product registration card	1



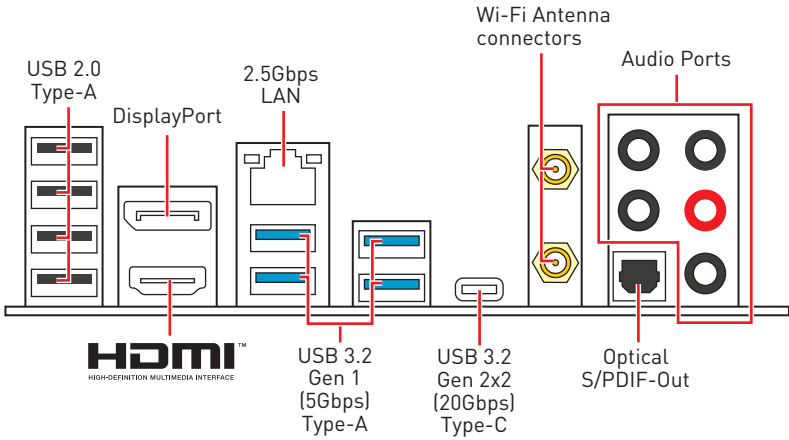
## **Important**

*If any of the above items are damaged or missing, please contact your retailer.*

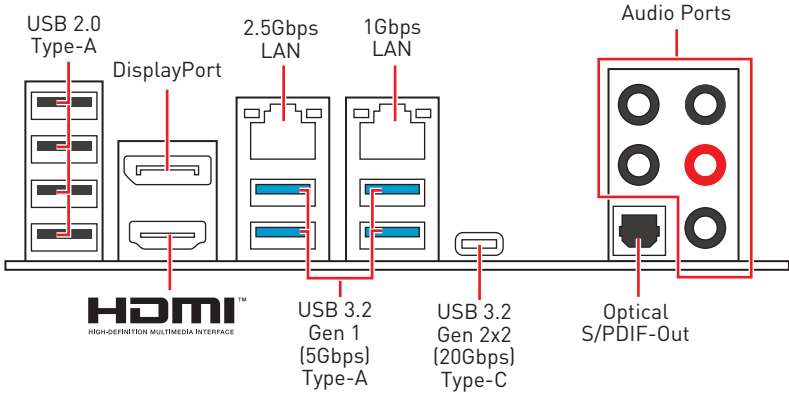


# Rear I/O Panel

## • MAG B560 TOMAHAWK WIFI

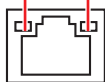


## • MAG B560 TORPEDO



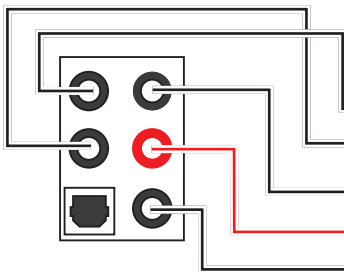
## LAN Port LED Status Table

Link/ Activity LED	
Status	Description
Off	No link
Yellow	Linked
Blinking	Data activity



Speed LED	
Status	Description
Off	10 Mbps connection
Green	100/1000 Mbps connection
Orange	1/2.5 Gbps connection

## Audio Ports Configuration



Audio Ports	Channel			
	2	4	6	8
Center/ Sub-woofer Out			●	●
Rear Speaker Out		●	●	●
Line-In/ Side Speaker Out				●
Line-Out/ Front Speaker Out	●	●	●	●
Mic In				

(●: connected, **Blank**: empty)

## Realtek Audio Console

After Realtek Audio Console is installed. You can use it to change sound settings to get better sound experience.

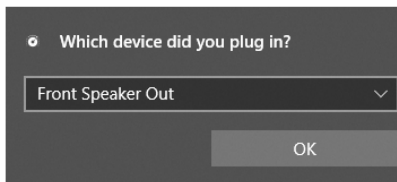
Application Enhancement

The screenshot shows the Realtek Audio Console application window. On the left is a 'Device Selection' sidebar with icons for Realtek Digital Output, Realtek HD Audio 2nd card, and Line In. The main area is titled 'Application Enhancement' and includes 'Sound Effects', 'Room Connection', and 'Default Format'. A 'Speaker Configuration' window is open, showing a 7.1 speaker layout with 'Center' (Front left and right), 'Subwoofer' (Surround speakers), 'Side pair', and 'Rear pair' options. At the bottom, there are 'Connector Settings' (with a red dot on the front speaker port), 'Jack Status', and a 'Main Volume' slider.

- **Device Selection** - allows you to select a audio output source to change the related options. The **check** sign indicates the devices as default.
- **Application Enhancement** - the array of options will provide you a complete guidance of anticipated sound effect for both output and input device.
- **Main Volume** - controls the volume or balance the right/left side of the speakers that you plugged in front or rear panel by adjust the bar.
- **Jack Status** - depicts all render and capture devices currently connected with your computer.
- **Connector Settings** - configures the connection settings.

### Auto popup dialog

When you plug into a device at an audio jack, a dialogue window will pop up asking you which device is current connected.

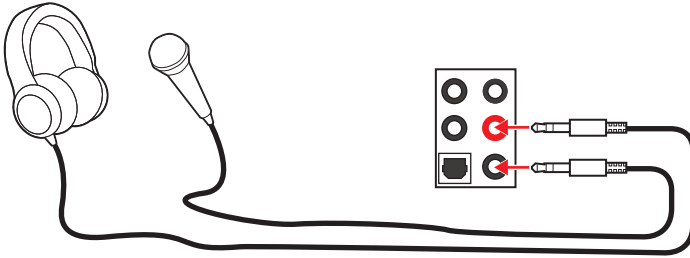


Each jack corresponds to its default setting as shown on the next page.

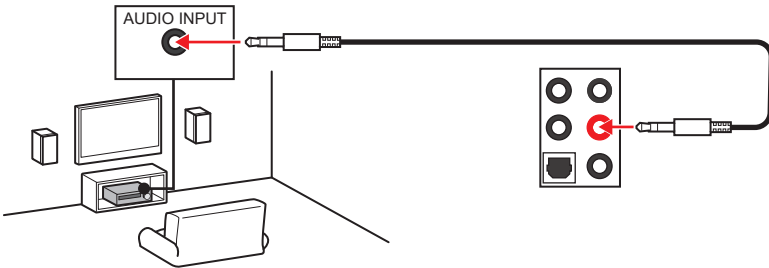


*The pictures above for reference only and may vary from the product you purchased.*

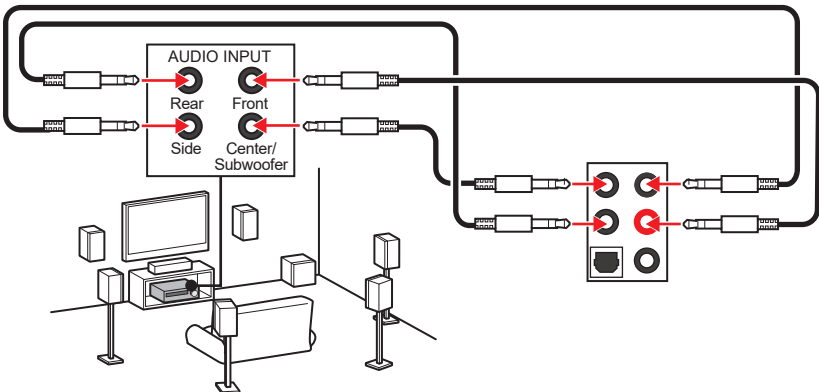
### Audio jacks to headphone and microphone diagram



### Audio jacks to stereo speakers diagram

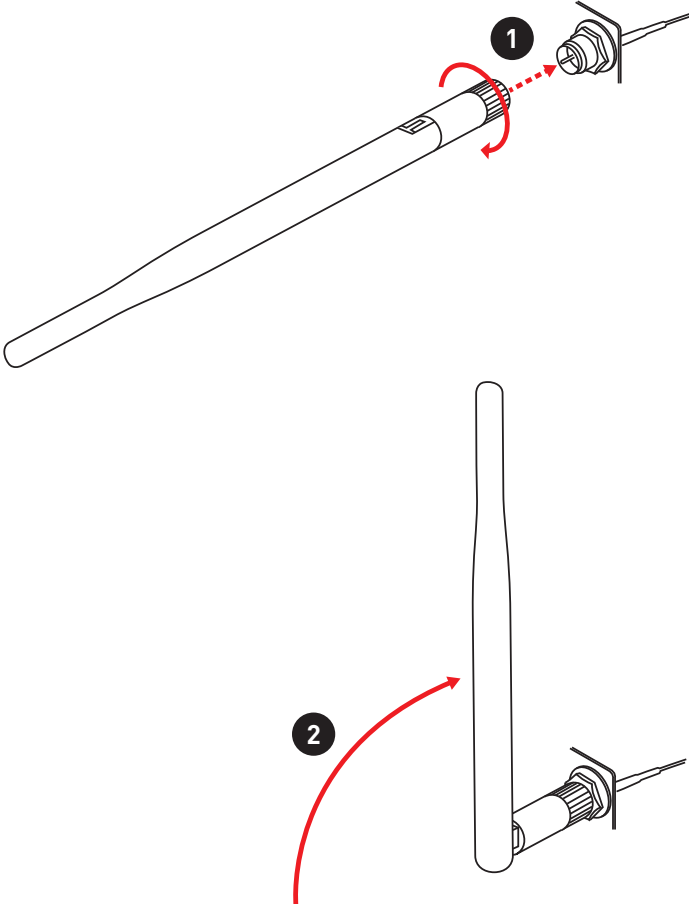


### Audio jacks to 7.1-channel speakers diagram

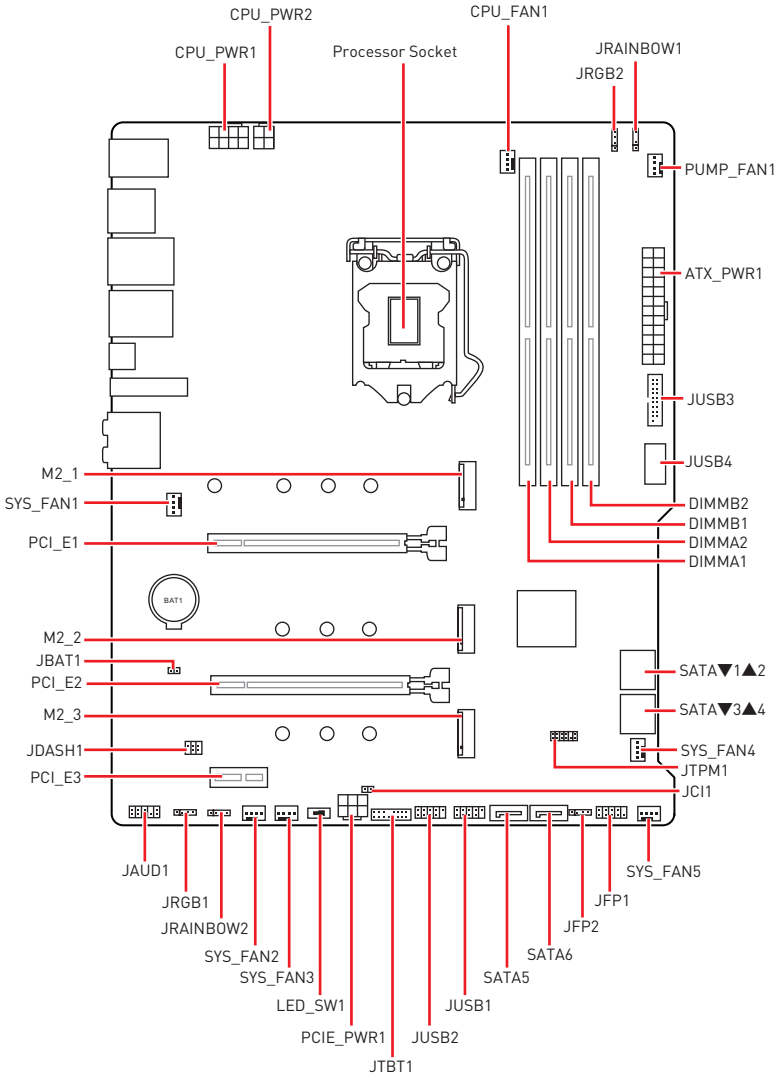


## Installing antennas

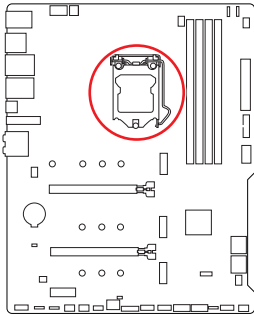
1. Screw the antennas tight to the antenna connectors as shown below.
2. Orient the antennas.



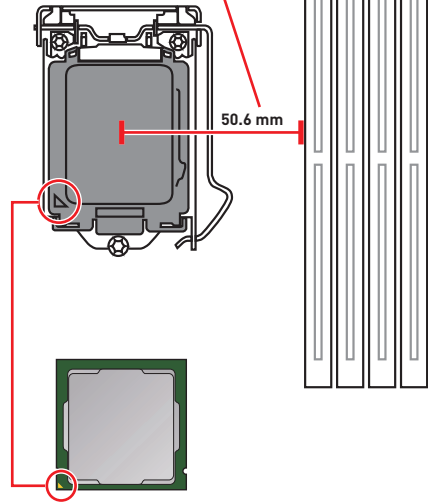
# Overview of Components



## CPU Socket



Distance from the center of the CPU to the nearest DIMM slot.



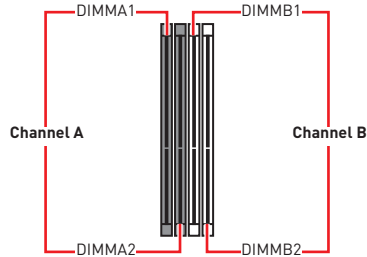
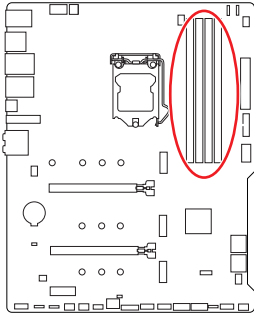
### Introduction to the LGA1200 CPU

The surface of the LGA1200 CPU has two **notches** and a **golden triangle** to assist in correctly lining up the CPU for motherboard placement. The golden triangle is the Pin 1 indicator.

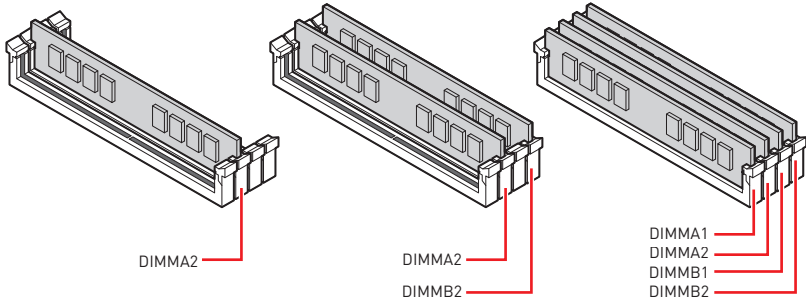
### Important

- Always unplug the power cord from the power outlet before installing or removing the CPU.
- Please retain the CPU protective cap after installing the processor. MSI will deal with Return Merchandise Authorization (RMA) requests if only the motherboard comes with the protective cap on the CPU socket.
- When installing a CPU, always remember to install a CPU heatsink. A CPU heatsink is necessary to prevent overheating and maintain system stability.
- Confirm that the CPU heatsink has formed a tight seal with the CPU before booting your system.
- Overheating can seriously damage the CPU and motherboard. Always make sure the cooling fans work properly to protect the CPU from overheating. Be sure to apply an even layer of thermal paste (or thermal tape) between the CPU and the heatsink to enhance heat dissipation.
- Whenever the CPU is not installed, always protect the CPU socket pins by covering the socket with the plastic cap.
- If you purchased a separate CPU and heatsink/ cooler, Please refer to the documentation in the heatsink/ cooler package for more details about installation.
- This motherboard is designed to support overclocking. Before attempting to overclock, please make sure that all other system components can tolerate overclocking. Any attempt to operate beyond product specifications is not recommended. MSI® does not guarantee the damages or risks caused by inadequate operation beyond product specifications.

## DIMM Slots



## Memory module installation recommendation

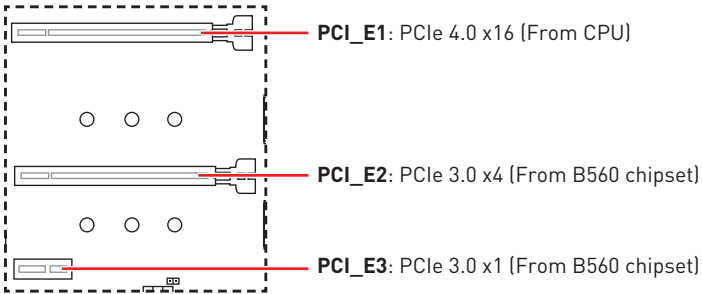


### **Important**

- Always insert memory modules in the **DIMMA2** slot first.
- To ensure system stability for Dual channel mode, memory modules must be of the same type, number and density.
- Some memory modules may operate at a lower frequency than the marked value when overclocking due to the memory frequency operates dependent on its Serial Presence Detect (SPD). Go to BIOS and find the **DRAM Frequency** to set the memory frequency if you want to operate the memory at the marked or at a higher frequency.
- It is recommended to use a more efficient memory cooling system for full DIMMs installation or overclocking.
- The stability and compatibility of installed memory module depend on installed CPU and devices when overclocking.
- Please refer to [www.msi.com](http://www.msi.com) for more information on compatible memory.



## PCI\_E1~3: PCIe Expansion Slots

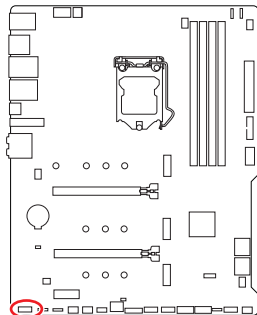


### Important

- If you install a large and heavy graphics card, you need to use a tool such as **MSI Graphics Card Bolster** to support its weight to prevent deformation of the slot.
- For a single PCIe x16 expansion card installation with optimum performance, using the **PCI\_E1** slot is recommended.
- When adding or removing expansion cards, always turn off the power supply and unplug the power supply power cable from the power outlet. Read the expansion card's documentation to check for any necessary additional hardware or software changes.

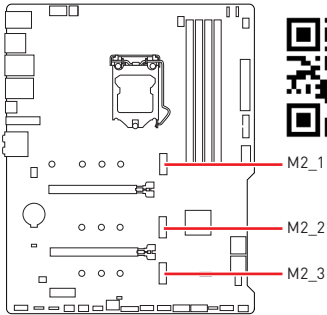
## JAUD1: Front Audio Connector

This connector allows you to connect audio jacks on the front panel.



1	MIC L	2	Ground
3	MIC R	4	NC
5	Head Phone R	6	MIC Detection
7	SENSE_SEND	8	No Pin
9	Head Phone L	10	Head Phone Detection

## M2\_1~3: M.2 Slots (Key M)



### Video Demonstration

Watch the video to learn how to Install M.2 SSD.

<https://youtu.be/2UeWMgjjwogU>

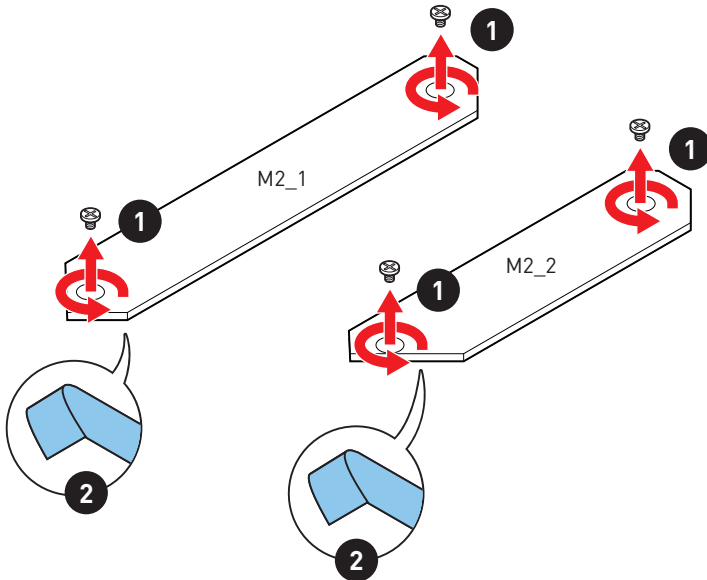


### Important

- Intel® RST only supports PCIe M.2 SSD with UEFI ROM.
- Intel® Optane™ Memory Ready for M2\_3 slot only.

## Installing M.2 module

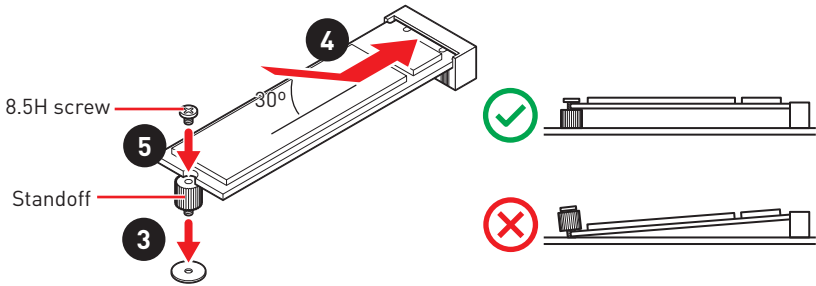
1. Loosen the screws of M.2 SHIELD FROZR heatsink.
2. Remove the M.2 SHIELD FROZR and remove the protective films from the thermal pads.



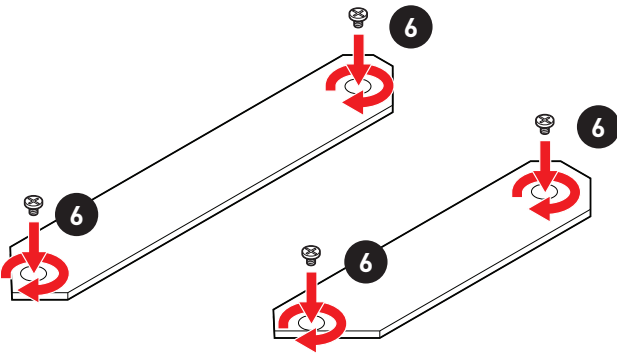
- Secure the supplied M.2 standoff according to your M.2 SSD length if need.
- Insert your M.2 SSD into the M.2 slot at a 30-degree angle.
- Secure the M.2 SSD in place with the supplied M.2 8.5H screw.

**! Important**

- M.2 SHIELD FROZR heatsink for M2\_1 slot is only available for MAG B560 TOMAHAWK WIFI.
- Skip step 3 and step 5, if you install 22110 M.2 into M2\_1 slot or 2280 M.2 into M2\_2 slots.

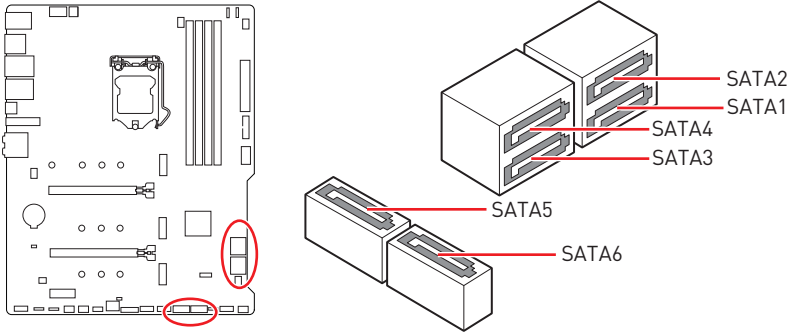


- Put the M.2 SHIELD FROZR heatsink back in place and secure it.



## SATA1~6: SATA 6Gb/s Connectors

These connectors are SATA 6Gb/s interface ports. Each connector can connect to one SATA device.



### Important

- Please do not fold the SATA cable at a 90-degree angle. Data loss may result during transmission otherwise.
- SATA cables have identical plugs on either sides of the cable. However, it is recommended that the flat connector be connected to the motherboard for space saving purposes.
- SATA1 will be unavailable when installing M.2 SATA SSD in the M2\_2 slot.

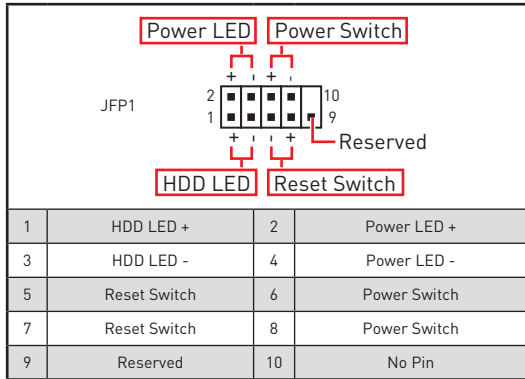
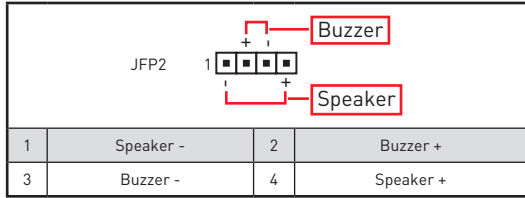
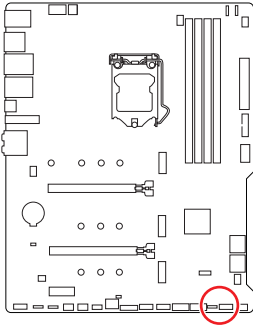
### M.2 & SATA combination table

Slot	Available SATA connectors	
M2_1	PCIe (M2_1 slot is only available on 11th Gen Intel® CPU)	
M2_2	PCIe	SATA
M2_3	PCIe (M2_3 slot does not support SATA)	
SATA1	✓	—
SATA2	✓	✓
SATA3	✓	✓
SATA4	✓	✓
SATA5	✓	✓
SATA6	✓	✓

(SATA: M.2 SATA SSD, PCIe: M.2 PCIe SSD, ✓: available, —: unavailable)

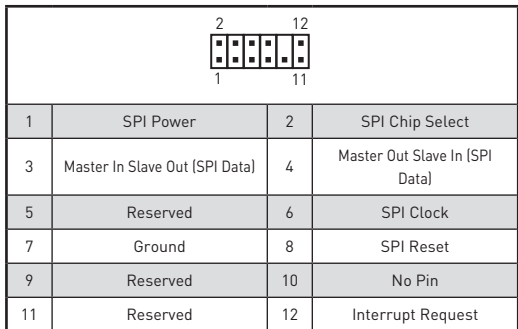
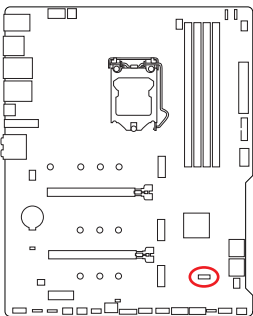
## JFP1, JFP2: Front Panel Connectors

These connectors connect to the switches and LEDs on the front panel.



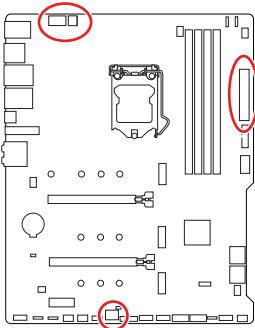
## JTPM1: TPM Module Connector

This connector is for TPM (Trusted Platform Module). Please refer to the TPM security platform manual for more details and usages.



## CPU\_PWR1~2, ATX\_PWR1, PCIE\_PWR1: Power Connectors

These connectors allow you to connect an ATX power supply.



1	Ground	5	+12V
2	Ground	6	+12V
3	Ground	7	+12V
4	Ground	8	+12V

1	Ground	3	+12V
2	Ground	4	+12V

1	+3.3V	13	+3.3V
2	+3.3V	14	-12V
3	Ground	15	Ground
4	+5V	16	PS-ON#
5	Ground	17	Ground
6	+5V	18	Ground
7	Ground	19	Ground
8	PWR OK	20	Res
9	5VSB	21	+5V
10	+12V	22	+5V
11	+12V	23	+5V
12	+3.3V	24	Ground

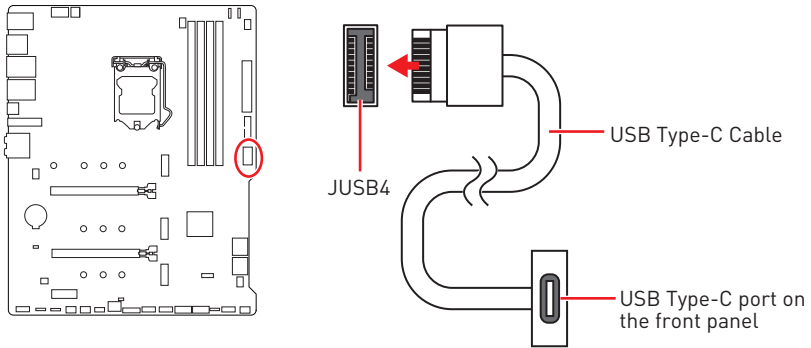
1	+12V	4	Ground
2	+12V	5	Ground
3	+12V	6	Ground

### Important

Make sure that all the power cables are securely connected to a proper ATX power supply to ensure stable operation of the motherboard.

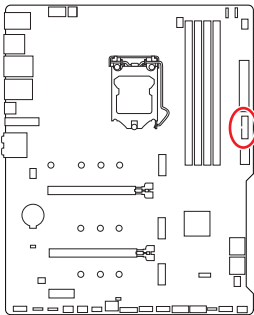
## JUSB4: USB 3.2 Gen 2 Type-C Connector

This connector allows you to connect USB 3.2 Gen 2 Type-C connector on the front panel. The connector possesses a foolproof design. When you connect the cable, be sure to connect it with the corresponding orientation.



## JUSB3: USB 3.2 Gen 1 Connector

This connector allows you to connect USB 3.2 Gen 1 5Gbps ports on the front panel.



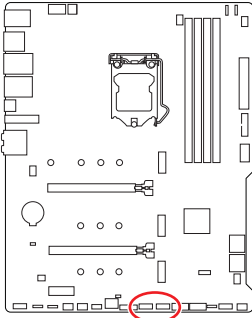
1	Power	11	USB2.0+
2	USB3_RX_DN	12	USB2.0-
3	USB3_RX_DP	13	Ground
4	Ground	14	USB3_TX_C_DP
5	USB3_TX_C_DN	15	USB3_TX_C_DN
6	USB3_TX_C_DP	16	Ground
7	Ground	17	USB3_RX_DP
8	USB2.0-	18	USB3_RX_DN
9	USB2.0+	19	Power
10	Ground	20	No Pin

### Important

Note that the Power and Ground pins must be connected correctly to avoid possible damage.

## JUSB1~2: USB 2.0 Connectors

These connectors allow you to connect USB 2.0 ports on the front panel.



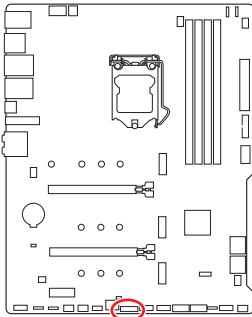
1	VCC	2	VCC
3	USB0-	4	USB1-
5	USB0+	6	USB1+
7	Ground	8	Ground
9	No Pin	10	NC

### Important

- Note that the VCC and Ground pins must be connected correctly to avoid possible damage.
- In order to recharge your iPad, iPhone and iPod through USB ports, please install MSI® Center utility.

## JTBT1: Thunderbolt Add-on Card Connector

This connector allows you to connect the add-on Thunderbolt I/O card.

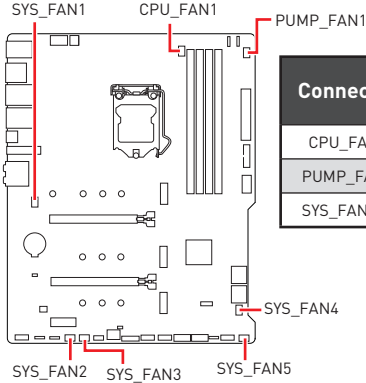


1	TBT_FORCE_PWR	2	TBT_S0IX_ENTRY_REQ
3	TBT_CIO_PLUG_EVENT#	4	TBT_S0IX_ENTRY_ACK
5	SLP_S3#_TBT	6	TBT_PSON_OVERRIDE_N
7	SLP_S5#_TBT	8	No Pin
9	Ground	10	SMBCLK_VSB
11	DG_PEWAKE#	12	SMBDATA_VSB
13	TBT_RTD3_PWR_EN	14	Ground
15	TBT_CARD_DET_R#	16	PD_IRQ#



## CPU\_FAN1, PUMP\_FAN1, SYS\_FAN1~5: Fan Connectors

Fan connectors can be classified as PWM (Pulse Width Modulation) Mode or DC Mode. PWM Mode fan connectors provide constant 12V output and adjust fan speed with speed control signal. DC Mode fan connectors control fan speed by changing voltage. The auto mode fan connectors can automatically detect PWM and DC mode. However, you can follow the instruction below to adjust the fan connector to PWM or DC Mode manually.

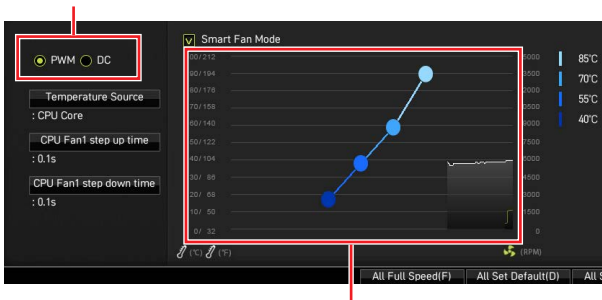


Connector	Default fan mode	Max. current	Max. power
CPU_FAN1	PWM mode	2A	24W
PUMP_FAN1	PWM mode	3A	36W
SYS_FAN1-5	DC mode	1A	12W

### Switching fan mode and adjusting fan speed

You can switch between PWM mode and DC mode and adjust fan speed in **BIOS > HARDWARE MONITOR**.

Select **PWM** mode or **DC** mode





There are gradient points of the fan speed that allow you to adjust fan speed in relation to CPU temperature.

### Important

Make sure fans are working properly after switching the PWM/ DC mode.

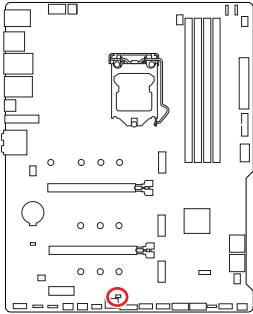
### Pin definition of fan connectors

1  PWM Mode pin definition			
1	Ground	2	+12V
3	Sense	4	Speed Control Signal

1  DC Mode pin definition			
1	Ground	2	Voltage Control
3	Sense	4	NC

## JCI1: Chassis Intrusion Connector

This connector allows you to connect the chassis intrusion switch cable.



Normal  
(default)



Trigger the chassis  
intrusion event

### Using chassis intrusion detector

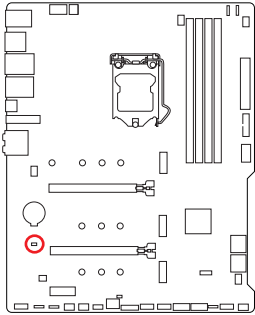
1. Connect the **JCI1** connector to the chassis intrusion switch/ sensor on the chassis.
2. Close the chassis cover.
3. Go to **BIOS > SETTINGS > Security > Chassis Intrusion Configuration**.
4. Set **Chassis Intrusion** to **Enabled**.
5. Press **F10** to save and exit and then press the **Enter** key to select **Yes**.
6. Once the chassis cover is opened again, a warning message will be displayed on screen when the computer is turned on.

### Resetting the chassis intrusion warning

1. Go to **BIOS > SETTINGS > Security > Chassis Intrusion Configuration**.
2. Set **Chassis Intrusion** to **Reset**.
3. Press **F10** to save and exit and then press the **Enter** key to select **Yes**.

## JBAT1: Clear CMOS (Reset BIOS) Jumper

There is CMOS memory onboard that is external powered from a battery located on the motherboard to save system configuration data. If you want to clear the system configuration, set the jumpers to clear the CMOS memory.



Keep Data  
(default)



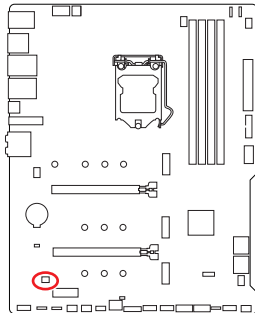
Clear CMOS/  
Reset BIOS

### Resetting BIOS to default values

1. Power off the computer and unplug the power cord.
2. Use a jumper cap to short **JBAT1** for about 5-10 seconds.
3. Remove the jumper cap from **JBAT1**.
4. Plug the power cord and Power on the computer.

## JDASH1 : Tuning Controller connector

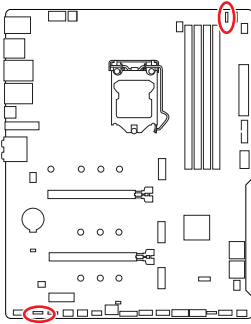
This connector is used to connect an optional Tuning Controller module.



1	No Pin	2	NC	
3	MCU_SMB_SCL_M	4	MCU_SMB_SDA_M	
5	VCC5	6	Ground	

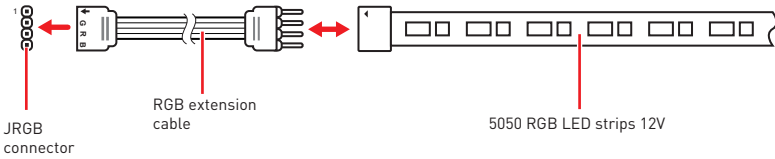
## JRGB1~2: RGB LED connectors

The JRGB connectors allow you to connect the 5050 RGB LED strips 12V.

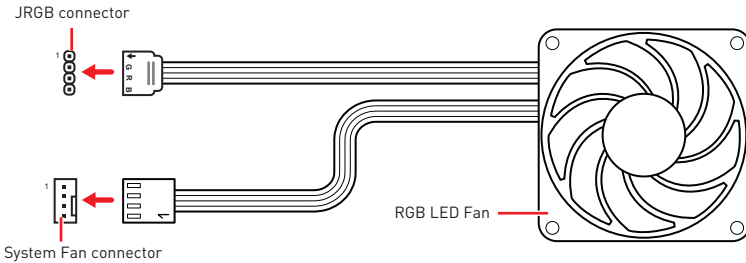


1			
1	+12V	2	G
3	R	4	B

### RGB LED Strip Connection



### RGB LED Fan Connection

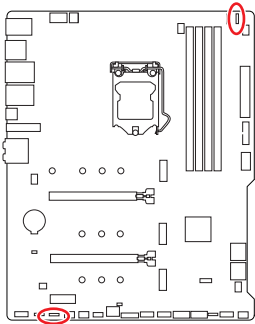


### Important

- The JRGB connector supports up to 2 meters continuous 5050 RGB LED strips (12V/G/R/B) with the maximum power rating of 3A (12V).
- Always turn off the power supply and unplug the power cord from the power outlet before installing or removing the RGB LED strip.
- Please use MSI's software to control the extended LED strip.

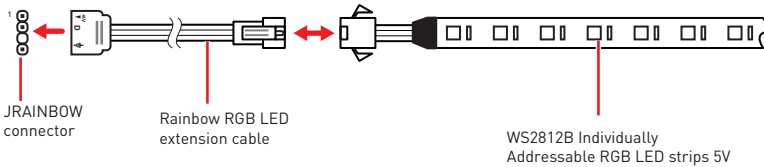
## JRAINBOW1~2: Addressable RGB LED connectors

The JRAINBOW connectors allow you to connect the WS2812B Individually Addressable RGB LED strips 5V.

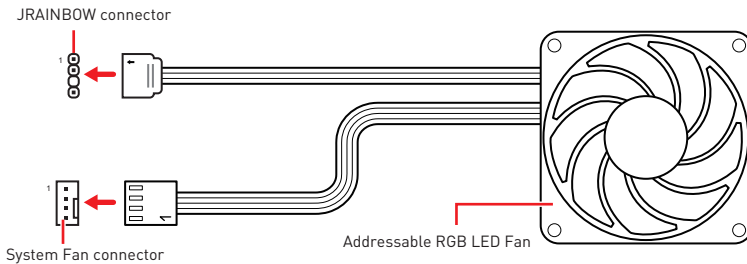


1			
1	+5V	2	Data
3	No Pin	4	Ground

### Addressable RGB LED Strip Connection



### Addressable RGB LED Fan Connection



### CAUTION

Do not connect the wrong type of LED strips. The JRGB connector and the JRAINBOW connector provide different voltages, and connecting the 5V LED strip to the JRGB connector will result in damage to the LED strip.

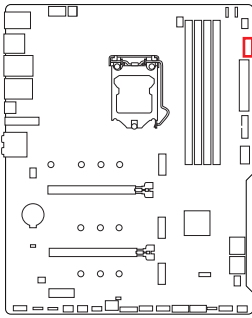
### Important

- The JRAINBOW connector supports up to 75 LEDs WS2812B Individually Addressable RGB LED strips (5V/Data/Ground) with the maximum power rating of 3A (5V). In the case of 20% brightness, the connector supports up to 200 LEDs.
- Always turn off the power supply and unplug the power cord from the power outlet before installing or removing the RGB LED strip.
- Please use MSI's software to control the extended LED strip.

# Onboard LEDs

## EZ Debug LED

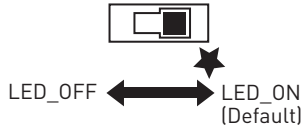
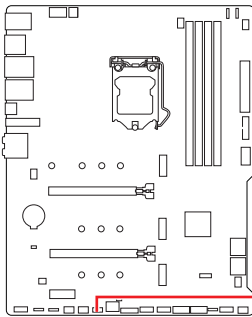
These LEDs indicate the debug status of the motherboard.



- CPU** - indicates CPU is not detected or fail.
- DRAM** - indicates DRAM is not detected or fail.
- VGA** - indicates GPU is not detected or fail.
- BOOT** - indicates the booting device is not detected or fail.

## LED\_SW1: EZ LED Control

This switch is used to switch on/ off all the LEDs of motherboard.



# Installing OS, Drivers & MSI Center

Please download and update the latest utilities and drivers at [www.msi.com](http://www.msi.com)

## Installing Windows® 10

1. Power on the computer.
2. Insert the Windows® 10 installation disc/USB into your computer.
3. Press the **Restart** button on the computer case.
4. Press **F11** key during the computer POST (Power-On Self Test) to get into Boot Menu.
5. Select the Windows® 10 installation disc/USB from the Boot Menu.
6. Press any key when screen shows **Press any key to boot from CD or DVD...** message.
7. Follow the instructions on the screen to install Windows® 10.

## Installing Drivers

1. Start up your computer in Windows® 10.
2. Insert MSI® USB Drive into the USB port.
3. Click the **Select to choose what happens with this disc** pop-up notification, then select **Run DVDSetup.exe** to open the installer. If you turn off the AutoPlay feature from the Windows Control Panel, you can still manually execute the **DVDSetup.exe** from the root path of the MSI USB Drive.
4. The installer will find and list all necessary drivers in the **Drivers/Software** tab.
5. Click the **Install** button in the lower-right corner of the window.
6. The drivers installation will then be in progress, after it has finished it will prompt you to restart.
7. Click **OK** button to finish.
8. Restart your computer.

## MSI Center

MSI Center is an application that helps you easily optimize game settings and smoothly use content creation softwares. It also allows you to control and synchronize LED light effects on PCs and other MSI products. With MSI Center, you can customize ideal modes, monitor system performance, and adjust fan speed.

### MSI Center User Guide



If you would like to know more information about MSI Center, please refer to

<http://download.msi.com/manual/mb/MSICENTER.pdf>

or scan the QR code to access.



### **Important**

*Functions may vary depending on the product you have.*

# UEFI BIOS

MSI UEFI BIOS is compatible with UEFI (Unified Extensible Firmware Interface) architecture. The UEFI BIOS firmware infrastructure has many new functions and advantages that traditional BIOS cannot achieve. It will fully support future PCs and devices that comply with UEFI firmware architecture.



## **Important**

*The term BIOS in this user guide refers to UEFI BIOS unless otherwise noted.*

## **UEFI advantages**

- Fast booting - UEFI can directly boot the operating system and save the BIOS self-test process. And also eliminates the time to switch to CSM mode during POST
- Supports for hard drive partitions larger than 2 TB.
- Supports more than 4 primary partitions with a GUID Partition Table (GPT).
- Supports unlimited number of partitions
- Supports full capabilities of new devices - new devices may not provide backward compatibility.
- Supports secure startup - UEFI can check the validity of the operating system to ensure that no malware tampers with the startup process.

## **Incompatible UEFI cases**

- **32-bit Windows operating system** - this motherboard supports only 64-bit Windows 10 operating system.
- **Older graphics card** - the system will detect your graphics card. When display a warning message **There is no GOP (Graphics Output protocol) support detected in this graphics card.**



## **Important**

*We recommend that you to replace with a GOP/UEFI compatible graphics card or using integrated graphics from CPU for having normal function.*

## **How to check the BIOS mode?**

1. Power on your computer.
2. Press **Delete** key, when the **Press DEL key to enter Setup Menu, F11 to enter Boot Menu** message appears on the screen during the boot process.
3. After entering the BIOS, you can check the **BIOS Mode** at the top of the screen.

BIOS Mode: UEFI



## BIOS Setup

The default settings offer the optimal performance for system stability in normal conditions. You should **always keep the default settings** to avoid possible system damage or failure booting unless you are familiar with BIOS.



### Important

- *BIOS items are continuously updated for better system performance. Therefore, the description may be slightly different from the latest BIOS and should be for reference only. You could also refer to the **HELP** information panel for BIOS item description.*
- *The BIOS screens, options and settings will vary depending on your system.*

## Entering BIOS Setup

Press **Delete** key, when the **Press DEL key to enter Setup Menu, F11 to enter Boot Menu** message appears on the screen during the boot process.

### Function key

- F1:** General Help list
  - F2:** Add/ Remove a favorite item
  - F3:** Enter Favorites menu
  - F4:** Enter CPU Specifications menu
  - F5:** Enter Memory-Z menu
  - F6:** Load optimized defaults
  - F7:** Switch between Advanced mode and EZ mode
  - F8:** Load Overclocking Profile
  - F9:** Save Overclocking Profile
  - F10:** Save Change and Reset\*
  - F12:** Take a screenshot and save it to USB flash drive (FAT/ FAT32 format only).
- Ctrl+F:** Enter Search page

\* When you press F10, a confirmation window appears and it provides the modification information. Select between Yes or No to confirm your choice.

## BIOS User Guide



If you'd like to know more instructions on setting up the BIOS, please refer to

<http://download.msi.com/manual/mb/Intel500BIOS.pdf>

or scan the QR code to access.

## Resetting BIOS

You might need to restore the default BIOS setting to solve certain problems. There are several ways to reset BIOS:

- Go to BIOS and press **F6** to load optimized defaults.
- Short the **Clear CMOS** jumper on the motherboard.



### Important

Be sure the computer is off before clearing CMOS data. Please refer to the **Clear CMOS jumper/ button** section for resetting BIOS.

## Updating BIOS

### Updating BIOS with M-FLASH

Before updating:

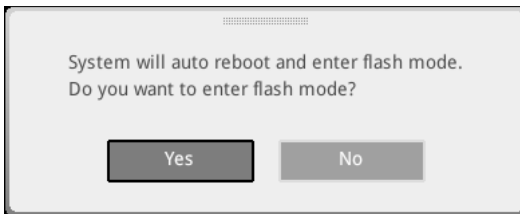
Please download the latest BIOS file that matches your motherboard model from MSI website. And then save the BIOS file into the USB flash drive.

To update BIOS:

1. Insert the USB flash drive that contains the update file into the USB port.
2. Please refer the following methods to enter flash mode.
  - Reboot and press **Ctrl + F5** key during POST and click on **Yes** to reboot the system.

Press <Ctrl+F5> to activate M-Flash for BIOS update.

- Reboot and press **Del** key during POST to enter BIOS. Click the **M-FLASH** button and click on **Yes** to reboot the system.



3. Select a BIOS file to perform the BIOS update process.
4. When prompted click on **Yes** to start recovering BIOS.
5. After the flashing process is 100% completed, the system will reboot automatically.

## Updating the BIOS with MSI Center

Before updating:

- Make sure the LAN driver is already installed and the internet connection is set properly.
- Please close all other application software before updating the BIOS.

To update BIOS:

1. Install and launch MSI CENTER and go to **Support** page.
2. Select **Live Update** and click on the **Advanced** button.
3. Select the BIOS file and click on the **Install** button.
4. The installation reminder will appear, then click the **Install** button on it.
5. The system will automatically restart to update BIOS.
6. After the flashing BIOS process is 100% completed, the system will restart automatically.



# Inhalt

<b>Sicherheitshinweis</b> .....	<b>3</b>
Hinweise zum Gehäuseabstandshalter .....	4
<b>Spezifikationen</b> .....	<b>5</b>
<b>Packungsinhalt</b> .....	<b>12</b>
<b>Rückseite E/A</b> .....	<b>13</b>
LAN Port LED Zustandstabelle .....	14
Konfiguration der Audioanschlüsse.....	14
Realtek Audio Console .....	14
<b>Übersicht der Komponenten</b> .....	<b>18</b>
CPU Socket .....	19
DIMM Steckplätze.....	20
PCI_E1~3: PCIe Erweiterungssteckplätze.....	21
JAUD1: Audioanschluss des Frontpanels.....	21
M2_1~3: M.2 Steckplätze (Key M) .....	22
SATA1~6: SATA 6Gb/s Anschlüsse.....	24
JFP1, JFP2: Frontpanel-Anschlüsse .....	25
JTPM1: TPM Anschluss.....	25
CPU_PWR1~2, ATX_PWR1, PCIE_PWR1: Stromanschlüsse.....	26
JUSB4: USB 3.2 Gen 2 Typ-C Anschluss.....	27
JUSB3: USB 3.2 Gen 1 Anschluss .....	27
JUSB1~2: USB 2.0 Anschlüsse.....	28
JTBT1: Anschluss für Thunderbolt-Erweiterungskarte.....	28
CPU_FAN1, PUMP_FAN1, SYS_FAN1~5: Stromanschlüsse für Lüfter .....	29
JCI1: Gehäusekontaktanschluss.....	30
JBAT1: Clear CMOS Steckbrücke (Reset BIOS).....	31
JDASH1 : Tuning Controller-Anschluss.....	31
JRGB1~2: RGB LED Anschlüsse .....	32
JRAINBOW1~2: Adressierbare RGB LED Anschlüsse.....	33
<b>Onboard LEDs</b> .....	<b>34</b>
EZ Debug LED.....	34
LED_SW1: EZ LED-Steuerung .....	34

<b>Installation von OS, Treibern &amp; MSI Center</b> .....	<b>35</b>
Installation von Windows® 10 .....	35
Installation von Treibern .....	35
MSI Center .....	35
<b>UEFI BIOS</b> .....	<b>36</b>
BIOS Setup.....	37
Öffnen des BIOS Setups.....	37
BIOS-Benutzerhandbuch.....	37
Reset des BIOS .....	38
Aktualisierung des BIOS.....	38

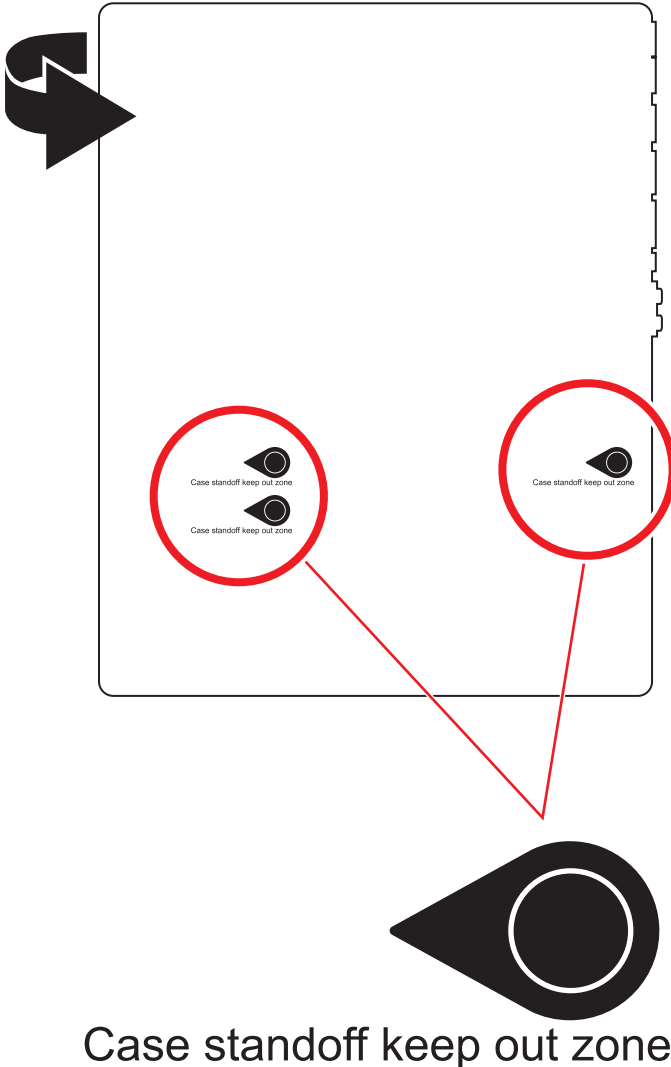
# Sicherheitshinweis

- Die im Paket enthaltene Komponenten sind der Beschädigung durch elektrostatischen Entladung (ESD). Beachten Sie bitte die folgenden Hinweise, um die erfolgreiche Computermontage sicherzustellen.
- Stellen Sie sicher, dass alle Komponenten fest angeschlossen sind. Lockere Steckverbindungen können Probleme verursachen, zum Beispiel: Der Computer erkennt eine Komponente nicht oder startet nicht.
- Halten Sie das Motherboard nur an den Rändern fest, und verhindern Sie die Berührung der sensiblen Komponenten.
- Um eine Beschädigung der Komponenten durch elektrostatische Entladung (ESD) zu vermeiden, sollten Sie eines elektrostatischen Armbands während der Handhabung des Motherboards tragen. Wenn kein elektrostatisches Handgelenkband vorhanden ist, sollten Sie Ihre statische Elektrizität ableiten, indem Sie ein anderes Metallobjekt berühren, bevor Sie das Motherboard anfassen.
- Bewahren Sie das Motherboard in einer elektrostatische Abschirmung oder einem Antistatiktuch auf, wenn das Motherboard nicht installiert ist.
- Überprüfen Sie vor dem Einschalten des Computers, dass sich keine losen Schrauben und andere Bauteile auf dem Motherboard oder im Computergehäuse befinden.
- Bitte starten Sie den Computer nicht, bevor die Installation abgeschlossen ist. Dies könnte permanente Schäden an den Komponenten sowie zu das Verletzung des Benutzers verursachen.
- Sollten Sie Hilfe bei der Installation benötigen, wenden Sie sich bitte an einen zertifizierten Computer-Techniker.
- Schalten Sie die Stromversorgung aus und ziehen Sie das das Stromkabel ab, bevor Sie jegliche Computer-Komponente ein- und ausbauen.
- Bewahren Sie die Bedienungsanleitung als künftige Referenz auf.
- Halten Sie das Motherboard von Feuchtigkeit fern.
- Bitte stellen Sie sicher, dass Ihre Netzspannung den Hinweisen auf dem Netzteil vor Anschluss des Netzteils an die Steckdose entspricht.
- Verlegen Sie das Netzkabel so, dass niemand versehentlich darauf treten kann. Stellen Sie nichts auf dem Netzkabel ab.
- Alle Achtungs- und Warnhinweise auf dem Motherboard müssen befolgt werden.
- Falls einer der folgenden Umstände eintritt, lassen Sie bitte das Motherboard von Kundendienstpersonal prüfen:
  - Flüssigkeit ist in dem Computer eingedrungen.
  - Das Motherboard wurde Feuchtigkeit ausgesetzt.
  - Das Motherboard funktioniert nicht richtig oder Sie können es nicht wie in der Bedienungsanleitung beschrieben bedienen.
  - Das Motherboard ist heruntergefallen und beschädigt.
  - Das Motherboard weist offensichtlich Zeichen eines Schadens auf.
- Nutzen und lagern Sie das Gerät nicht an Stellen, an denen Temperaturen von mehr als 60°C herrschen - das Motherboard kann in diesem Fall Schaden nehmen.

## Hinweise zum Gehäuseabstandshalter

Installieren Sie vor dem Einbau des Motherboards in das Gehäuse zunächst den für ein Motherboard erforderlichen Abstandshalter auf der Montageplatte im Gehäuse.

Um eine Beschädigung des Motherboards zu vermeiden, sind unnötige Abstandshalter zwischen den Motherboard-Schaltkreisen und dem Computergehäuse verboten. Die Schilder „Case Standoff Keep Out Zone (Gehäuseabstandszone freihalten)“ auf der Rückseite des Motherboards (wie unten gezeigt) dienen als entsprechender Hinweis für den Anwender.





# Spezifikationen

CPU	<ul style="list-style-type: none"> <li>• Unterstützt Intel® Core™ der 10. Generation Prozessoren, Intel® Core™ der 11. Generation Prozessoren, Pentium® Gold und Celeron® Prozessoren*</li> <li>• Prozessor Socket LGA1200</li> </ul> <p>* Weitere Kompatibilitätsinformationen finden Sie unter <a href="http://www.intel.com">www.intel.com</a>.</p>
Chipsatz	Intel® B560 Chipsatz
Speicher	<ul style="list-style-type: none"> <li>• 4x DDR4 Speicherplätze, aufrüstbar bis 128 GB*             <ul style="list-style-type: none"> <li>▪ Unterstützt 1R 2133/ 2666/ 2933 MHz für 10. Gen Intel® CPU (durch JEDEC &amp; POR)</li> <li>▪ Supports 1R 2133/ 2666/ 2933/ 3200 MHz für 11. Gen Intel® CPU (durch JEDEC &amp; POR)</li> <li>▪ Maximale Übertaktfrequenz:                 <ul style="list-style-type: none"> <li>▫ 1DPC 1R max. Übertragungsraten bis zu 5066 MHz</li> <li>▫ 1DPC 2R max. Übertragungsraten bis zu 4600+ MHz</li> <li>▫ 2DPC 1R max. Übertragungsraten bis zu 4266+ MHz</li> <li>▫ 2DPC 2R max. Übertragungsraten bis zu 4000+ MHz</li> </ul> </li> </ul> </li> <li>• Dual-Kanal-Speicherarchitektur</li> <li>• Unterstützt non-ECC, ungepufferte Speicher</li> <li>• Unterstützt Intel® Extreme Memory Profile (XMP)</li> </ul> <p>* Weitere Informationen zu kompatiblen Speicher finden Sie unter: <a href="http://www.msi.com">http://www.msi.com</a></p>
Erweiterungsanschlüsse	<ul style="list-style-type: none"> <li>• 2x PCIe x16 Steckplätze             <ul style="list-style-type: none"> <li>▪ PCI_E1 (von CPU)                 <ul style="list-style-type: none"> <li>▫ Unterstützt bis zu PCIe 4.0 für 11. Gen Intel® CPU</li> <li>▫ Unterstützt bis zu PCIe 3.0 für 10. Gen Intel® CPU</li> </ul> </li> <li>▪ PCI_E2 (von B560 Chipsatz)                 <ul style="list-style-type: none"> <li>▫ Unterstützt bis zu PCIe 3.0 x4</li> </ul> </li> </ul> </li> <li>• 1x PCIe 3.0 x1 Steckplatz (von B560 Chipsatz)</li> </ul>
Multi-GPU	<ul style="list-style-type: none"> <li>• Unterstützt die 2-Wege AMD® CrossFire™ Technologie</li> </ul>
Onboard-Grafik	<ul style="list-style-type: none"> <li>• 1x HDMI 2.0b mit HDR Anschluss, Unterstützung einer maximalen Auflösung von 4K 60Hz**/*</li> <li>• 1x DisplayPort 1.4 Anschluss, Unterstützung einer maximalen Auflösung von 4K 60Hz**/*</li> </ul> <p>* Es ist verfügbar für den Prozessor mit integrierter Grafik.          ** Die Grafikkarten-Spezifikationen können abhängig von der installierten CPU variieren.</p>

Fortsetzung auf der nächsten Seite

Fortsetzung der vorherigen Seite

<b>Aufbewahrung</b>	<ul style="list-style-type: none"><li>• 6x SATA 6Gb/s Anschlüsse (von B560 Chipsatz)</li><li>• 3x M.2 Steckplätze (Key M)<ul style="list-style-type: none"><li>▪ M2_1 Steckplatz (von CPU)<ul style="list-style-type: none"><li>▫ Nur unter 11. Gen Intel® CPU verfügbar</li><li>▫ Unterstützt bis zu PCIe 4.0 x4</li><li>▫ Unterstützt 2242/ 2260/ 2280/ 22110 Speichergeräte</li></ul></li><li>▪ M2_2* Steckplatz (von B560 Chipsatz)<ul style="list-style-type: none"><li>▫ Unterstützt bis zu PCIe 3.0 x4</li><li>▫ Unterstützt SATA bis zu 6Gb/s</li><li>▫ Unterstützt 2242/ 2260/ 2280 Speichergeräte</li></ul></li><li>▪ M2_3 Steckplatz (von B560 Chipsatz)<ul style="list-style-type: none"><li>▫ Unterstützt bis zu PCIe 3.0 x4</li><li>▫ Unterstützt 2242/ 2260/ 2280 Speichergeräte</li><li>▫ Intel® Optane™ Memory Ready**</li></ul></li></ul></li><li>• Unterstützt Intel® Smart Response Technologie für Intel Core™ Prozessoren</li></ul> <p>* SATA1 wird nicht zur Verfügung stehen, wenn Sie eine M.2 SATA SSD im M2_2 Steckplatz installieren.</p> <p>** Bevor Sie Intel® Optane™ Speichermodule verwenden, stellen Sie bitte über Downloads von der MSI Website sicher, dass die Treiber und das BIOS auf dem neuesten Stand sind.</p>
<b>USB</b>	<ul style="list-style-type: none"><li>• Intel® B560 Chipsatz<ul style="list-style-type: none"><li>▪ 1x USB3.2 Gen 2x2 20Gbit/s Anschluss (Typ-C Anschluss an der rückseitigen Anschlussleiste)</li><li>▪ 1x USB 3.2 Gen 2 10Gbit/s Anschluss (1 Typ-C Anschluss stehen durch internen Anschluss)</li><li>▪ 6x USB 3.2 Gen 1 5Gbit/s Anschlüsse (4 Typ-A Anschlüsse an der rückseitigen Anschlussleiste, 2 Typ-A Anschlüsse stehen durch die internen Anschlüsse)</li><li>▪ 4x USB 2.0 Anschlüsse an der rückseitigen Anschlussleiste</li></ul></li><li>• Hub-GL850G<ul style="list-style-type: none"><li>▪ 4x USB 2.0 Anschlüsse stehen durch die internen Anschlüsse</li></ul></li></ul>
<b>Audio</b>	<p>Realtek® ALC897 Codec</p> <ul style="list-style-type: none"><li>• 7.1-Kanal-HD-Audio</li><li>• Unterstützt den S/PDIF-Ausgang</li></ul>

Fortsetzung auf der nächsten Seite

Fortsetzung der vorherigen Seite

<b>LAN</b>	<ul style="list-style-type: none"><li>• 1x Realtek® RTL8125B 2.5Gbit/s LAN Controller</li><li>• 1x Intel® I219V 1Gbit/s LAN Controller (Nur für MAG B560 TORPEDO)</li></ul>
<b>Wireless LAN &amp; Bluetooth®</b>	<p>Intel® Wi-Fi 6E AX210</p> <ul style="list-style-type: none"><li>• Das Wireless-Modul ist im M.2 (Key-E) Steckplatz vorinstalliert</li><li>• Unterstützt MU-MIMO TX/RX, 2,4GHz/ 5GHz/ 6GHz* (160MHz) mit Datenraten bis zu 2,4Gbit/s</li><li>• Unterstützt 802.11 a/ b/ g/ n/ ac/ ax</li><li>• Unterstützt Bluetooth® 5.2**, FIPS, FISMA</li></ul> <p>* Wi-Fi 6E 6GHz kann von den Vorschriften jedes Landes abhängen und wird in WIN10 21H1 bereit sein. ** Bluetooth 5.2 wird in WIN10 21H1 bereit sein.</p>
<b>Interne Anschlüsse</b>	<ul style="list-style-type: none"><li>• 1x 24-poliger ATX Stromanschluss</li><li>• 1x 8-poliger ATX 12V Stromanschluss</li><li>• 1x 4-poliger ATX 12V Stromanschluss</li><li>• 1x 6-poliger PCIE Stromanschluss</li><li>• 6x SATA 6Gb/s Anschlüsse</li><li>• 3x M.2 Steckplätze (M-Key)</li><li>• 1x USB 3.2 Gen 2 10Gbit/s Typ-C Anschluss</li><li>• 1x USB 3.2 Gen 1 5Gbit/s Anschluss (unterstützt zusätzliche 2 USB 3.2 Gen 1 5Gbit/s Anschlüsse)</li><li>• 2x USB 2.0 Anschlüsse (unterstützt zusätzliche 4 USB 2.0 Anschlüsse)</li><li>• 1x 4-poliger CPU-Lüfter-Anschluss</li><li>• 1x 4-poliger Anschluss für die Wasserpumpe</li><li>• 5x 4-polige System-Lüfter-Anschlüsse</li><li>• 1x Audioanschluss des Frontpanels</li><li>• 2x System-Panel-Anschlüsse</li><li>• 1x Gehäusekontaktschalter</li><li>• 1x Clear CMOS Steckbrücke</li><li>• 1x TPM Anschluss</li><li>• 1x TBT Anschluss (Unterstützt RTD3)</li><li>• 1x Tuning Controller-Anschluss</li></ul>

Fortsetzung auf der nächsten Seite

Fortsetzung der vorherigen Seite

<b>LED Funktionen</b>	<ul style="list-style-type: none"><li>• 1x EZ LED Steuerung</li><li>• 2x 4-polige RGB LED Anschlüsse</li><li>• 2x 3-polige RAINBOW LED Anschlüsse</li><li>• 4x EZ Debug LED</li></ul>
<b>Hintere Ein-/ und Ausgänge</b>	<ul style="list-style-type: none"><li>• 4x USB 2.0 Type-A Anschlüsse</li><li>• 1x DisplayPort</li><li>• 1x HDMI Anschluss</li><li>• 4x USB 3.2 Gen 1 5Gbit/s Type-A Anschlüsse</li><li>• 1x USB 3.2 Gen 2x2 20Gbit/s Typ-C Anschluss</li><li>• 1x 2.5G LAN (RJ45) Anschluss</li><li>• 1x 1G LAN (RJ45) Anschluss (Nur für MAG B560 TORPEDO)</li><li>• 2x Wi-Fi Antenna Anschlüsse (Nur für MAG B560 TOMAHAWK WIFI)</li><li>• 5x Audiobuchsen</li><li>• 1x Optischer S/PDIF-Ausgang Anschluss</li></ul>
<b>E/A Anschluss</b>	NUVOTON NCT6687-R Controller Chip
<b>Hardware Monitor</b>	<ul style="list-style-type: none"><li>• CPU/System/Chipsatz Temperaturerfassung</li><li>• CPU/ System/ Pump-Lüfter Geschwindigkeitserfassung</li><li>• CPU/ System/ Pump-Lüfter Drehzahlregelung</li></ul>
<b>Formfaktor</b>	<ul style="list-style-type: none"><li>• ATX Formfaktor</li><li>• 12 Zoll x 9,6 Zoll (30,5 cm x 24,4 cm)</li></ul>
<b>BIOS Funktionen</b>	<ul style="list-style-type: none"><li>• 1x 256 Mb Flash</li><li>• UEFI AMI BIOS</li><li>• ACPI 6.2, SMBIOS 3.0</li><li>• Mehrsprachenunterstützung</li></ul>

Fortsetzung auf der nächsten Seite

Fortsetzung der vorherigen Seite

<b>Software</b>	<ul style="list-style-type: none"><li>• Treiber</li><li>• MSI Center</li><li>• MSI APP Player (BlueStacks)</li><li>• Open Broadcaster Software (OBS)</li><li>• CPU-Z MSI GAMING</li><li>• Intel® Extreme Tuning Utility</li><li>• Google Chrome™, Google Toolbar, Google Drive</li><li>• Norton™ Internet Security Solution</li></ul>
<b>MSI Center Funktionen</b>	<ul style="list-style-type: none"><li>• MSI Sound Tune</li><li>• Gaming Modus</li><li>• Creator Modus</li><li>• Game Highlights</li><li>• LAN Manager</li><li>• Mystic Light</li><li>• Ambient Link</li><li>• Frozr AI Cooling</li><li>• Benutzer-Szenario</li><li>• True Color</li><li>• Live Update</li><li>• Monitor</li><li>• Super Charger</li><li>• Speed Up</li></ul>

Fortsetzung auf der nächsten Seite

Fortsetzung der vorherigen Seite

**Besondere  
Funktionen**

- Audio
  - Audio Boost
  - Sound Tune
- Netzwerk
  - 2.5G LAN
  - LAN Manager
  - Intel Wi-Fi AX210 (Nur für MAG B560 TOMAHAWK WIFI)
- Kühlung
  - Design aus Aluminium
  - Erweitertes Kühlkörperdesign
  - M.2 Shield Frozr
  - K7 Thermalpad
  - Choke-Pad
  - Pump-Lüfter
  - Smart-Lüftersteuerung

Fortsetzung auf der nächsten Seite

Fortsetzung der vorherigen Seite

## Besondere Funktionen

- LED
  - Mystic Light
  - Mystic Light Extension (RAINBOW/RGB)
  - Mystic Light SYNC
  - Ambient Link (Nur für MAG B560 TOMAHAWK WIFI)
  - EZ LED Steuerung
  - EZ DEBUG LED
- Leistung
  - Lightning Gen 4 PCI-E Slot
  - Lightning Gen 4 M.2
  - Multi GPU-CrossFire Technologie
  - DDR4 Boost
  - Core Boost
  - OC Engine
  - Lightning USB 20G
  - USB 3.2 Gen 2 10G
  - USB Anschluss mit Typ A+C
  - Front USB Typ-C
  - Dual CPU Power
  - SUPPLEMENTAL PCIE POWER CONNECTOR
  - 2oz Kupfer verdicktes PCB
- Schutz
  - PCI-E Steel Armor
  - Vorinstallierte Anschlussblende
- Erfahrung
  - MSI Center
  - Click BIOS 5
  - CPU Cooler Tuning

# Packungsinhalt

Überprüfen Sie den Packungsinhalt des Mainboards. Die Packung sollte enthalten:

<b>Motherboard</b>	MAG B560 TOMAHAWK WIFI/ MAG B560 TORPEDO	
<b>Dokumentation</b>	Benutzerhandbuch	1
	Schnellinstallationsanleitung	1
	MSI Prämienprogramm Flyer	1
<b>Anwendung</b>	Treiber DVD	1
<b>Kabel</b>	SATA 6Gb/s Kabel (2 Kabel pro Packung)	1
<b>Zubehör</b>	Wi-Fi Antenne (nur für MAG B560 TOMAHAWK WIFI)	1
	Gehäuse-Aufkleber	1
	M.2 Schraube + Abstand (2 Stück pro Packung)	1
	M.2 Schraube + Abstand (1 Stück pro Packung)	1
	MAG-Aufkleber	1
	Produktregistrierungskarte	1



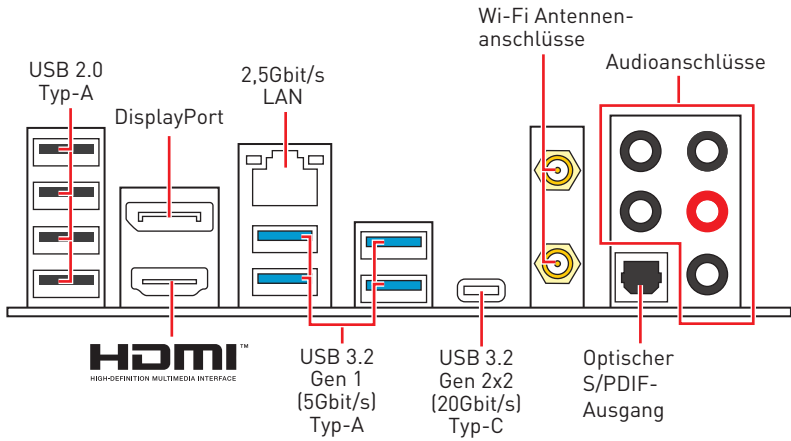
## **Wichtig**

Falls einer der oben aufgeführten Artikel beschädigt ist oder fehlt, wenden Sie sich bitte an Ihren Händler.

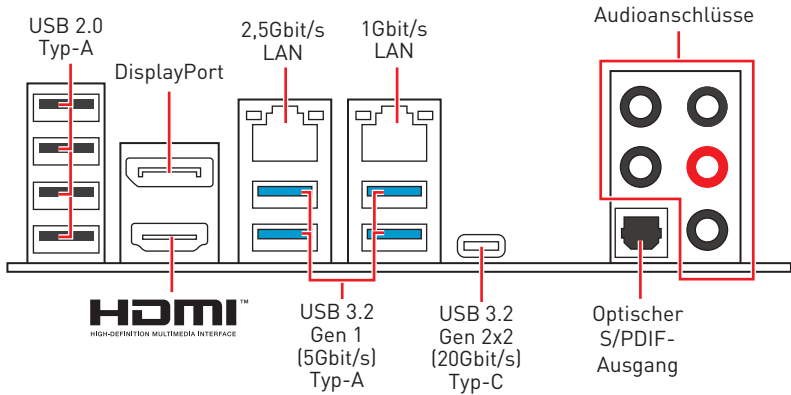


# Rückseite E/A

## • MAG B560 TOMAHAWK WIFI

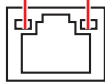


## • MAG B560 TORPEDO



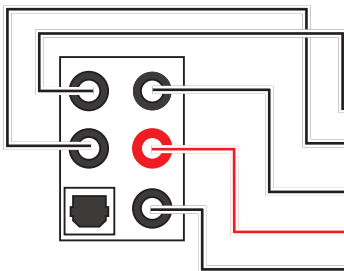
## LAN Port LED Zustandstabelle

Verbindung/ Aktivität LED	
Zustand	Bezeichnung
Aus	Keine Verbindung
Gelb	Verbindung
Blinkt	Datenaktivität



Geschwindigkeit LED	
Zustand	Bezeichnung
Aus	10 Mbit/s Verbindung
Grün	100/1000 Mbit/s Verbindung
Orange	2,5 Gbit/s Verbindung

## Konfiguration der Audioanschlüsse



Audioanschlüsse	Kanal			
	2	4	6	8
Mitte-/ Subwoofer-Ausgang			●	●
Hinterer Lautsprecher		●	●	●
Line-In/ Seitliche Lautsprecher				●
Line-Out/ Vorderer Lautsprecher	●	●	●	●
Mic In				

(●: Verbindet, **Blank:** Leer)

## Realtek Audio Console

Nach der Installation des Realtek Audio Console-Treibers, können Sie die Audioeinstellungen verändern, um ein optimales Klangerlebnis erzeugen.

Optimierungen

Geräteauswahl

Anschluss

Verbindungsstatus

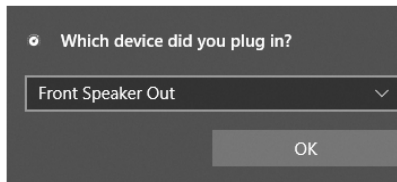
Lautstärke

The screenshot shows the Realtek Audio Console interface. Red boxes and lines highlight specific features: 'Optimierungen' points to the top settings area; 'Geräteauswahl' points to the left sidebar with device icons; 'Anschluss' points to the 'Line In' device selection; 'Verbindungsstatus' points to the status indicator for the selected device; and 'Lautstärke' points to the volume slider at the bottom right.

- **Geräteauswahl** - Ermöglicht die Auswahl der Audio-Ausgangs Quelle. Das aktuell aktivierte Gerät ist mit einem Haken gekennzeichnet.
- **Optimierungen** - Die Vielfalt an Optionen bietet eine komplette Anleitung von erwarteten Sound-Effekt für beide Ausgangs- und Eingangsvorrichtung.
- **Lautstärke** - Steuert die Lautstärke und die Balance-Einstellung der Lautsprecher, die im Front-Panel oder auf der Rückseite des PCs eingesteckt sind.
- **Verbindungsstatus** - Bildet die angeschlossenen Render- und Capture-Geräte ab.
- **Anschlüsse** - Konfiguriert die Anschlusseinstellungen.

### Auto Popup-Dialog

Nach dem Anschluss eines Audio-Klinkensteckers erscheint ein Dialogfenster und fragt nach einer Bestätigung für das angeschlossene Gerät.

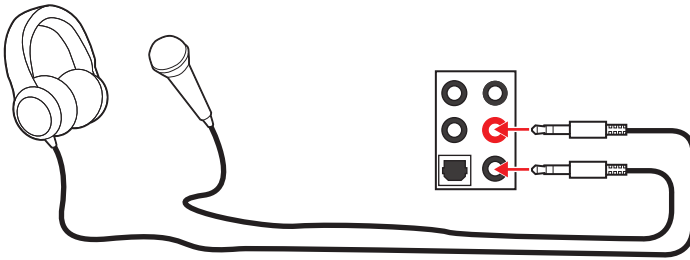


Jede Buchse entspricht diesem Wert der Grundeinstellung, wie es auf den nächsten Seiten gezeigt wird.

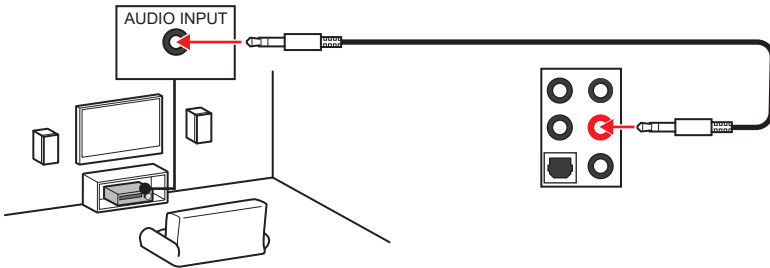


*Die obige Bilder stellen lediglich Referenzen dar und können von dem von Ihnen erworbenen Produkt abweichen.*

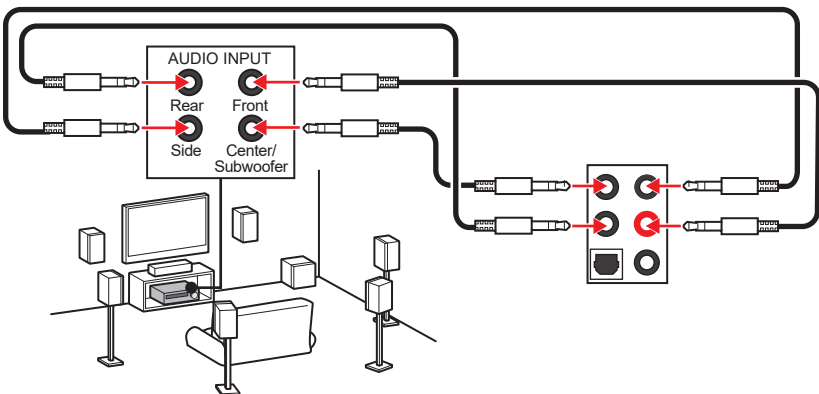
## Audiobuchsen für den Anschluss von einem Kopfhörer und Mikrofon



## Audiobuchsen für Stereo-Lautsprecher

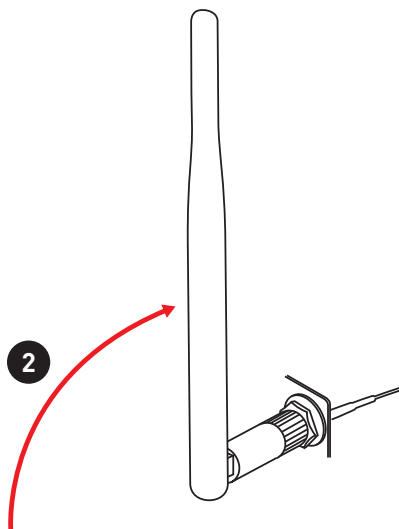
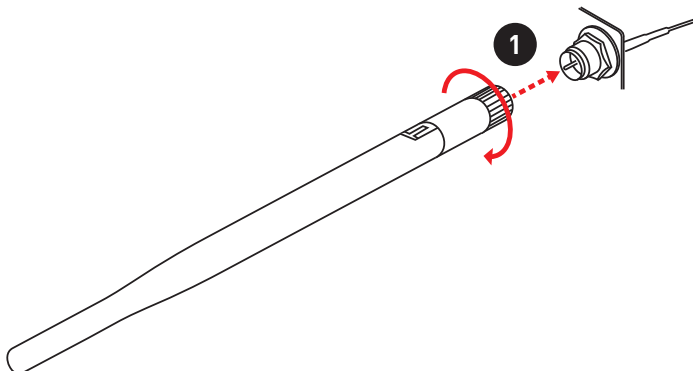


## Audiobuchsen für 7.1 Kanal Anlage

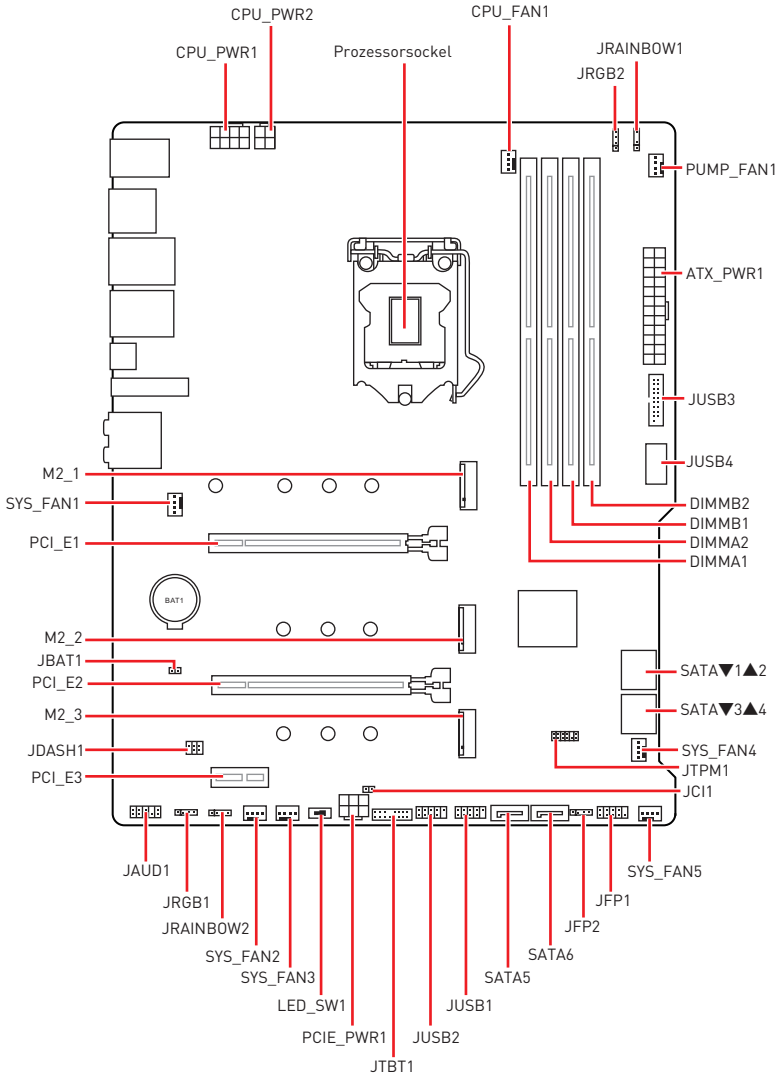


## Antennen installieren

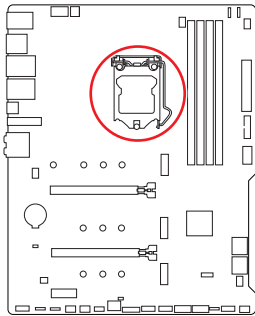
1. Schrauben Sie die Antennen fest an die Antennenanschlüsse, wie gezeigt.
2. Richten Sie die Antennenspitzen aus.



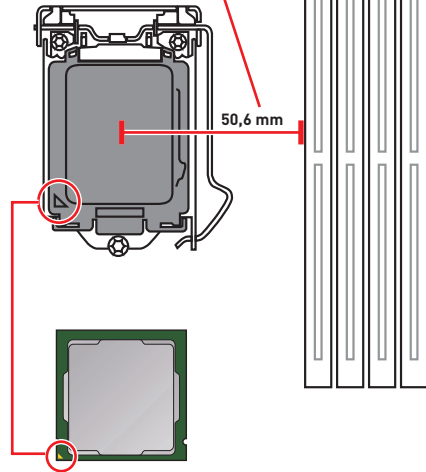
# Übersicht der Komponenten



## CPU Socket



Abstand zwischen der Mitte der CPU und dem nächsten DIMM-Steckplatz.



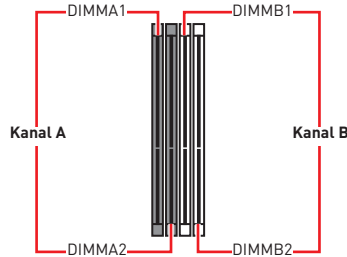
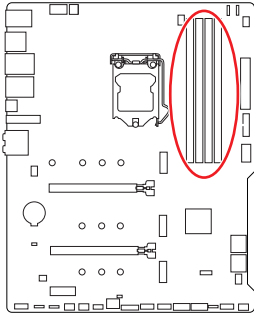
### Erklärung zur LGA1200 CPU

Die Oberseite der LGA1200 CPU hat vier **Justierungen** und ein **goldenes Dreieck** um die korrekte Ausrichtung der CPU auf dem Motherboard zu gewährleisten. Das goldene Dreieck des Prozessors definiert die Position des ersten Pins.

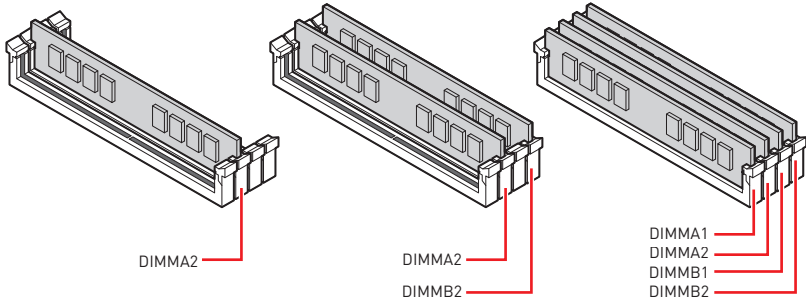
### **Wichtig**

- Ziehen Sie das Netzkabel ab, bevor Sie die CPU ein- und ausbauen.
- Bitte bewahren Sie die CPU Schutzkappe nach der Installation des Prozessors auf. MSI wird RMA (Return Merchandise Authorization) Anfragen nur dann behandeln, wenn die Schutzklappe auf dem CPU-Sockel des Motherboards sitzt.
- Wenn Sie eine CPU einbauen, denken sie bitte daran, einen CPU-Kühler zu installieren. Ein CPU-Kühlkörper ist notwendig, um eine Überhitzung zu vermeiden und die Systemstabilität zu gewährleisten.
- Stellen Sie sicher, dass Ihr Kühlkörper eine feste Verbindung mit der CPU hergestellt hat, bevor Sie Ihr System starten.
- Überhitzung beschädigt die CPU und das System nachhaltig. Stellen Sie stets eine korrekte Funktionsweise des CPU Kühlers sicher, um die CPU vor Überhitzung zu schützen. Stellen Sie sicher, dass eine gleichmäßige Schicht thermischer Paste oder thermischen Tapes zwischen der CPU und dem Kühlkörper vorhanden ist, um die Wärmeableitung zu erhöhen.
- Schützen Sie den CPU-Sockel immer mit der Plastikabdeckung, wenn keine CPU installiert ist.
- Verwenden Sie bitte die Installationsanweisung des Kühlkörpers/Kühlers, falls Sie eine separate CPU oder einen Kühlkörper/ Kühler erworben haben.
- Dieses Motherboard wurde so entworfen, dass es Übertakten unterstützt. Stellen Sie jedoch bitte sicher, dass die betroffenen Komponenten mit den abweichenden Einstellungen während des Übertaktens zurecht kommen. Von jedem Versuch des Betriebes außerhalb der Produktspezifikationen kann nur abgeraten werden. MSI übernimmt keinerlei Garantie für die Schäden und Risiken, die aus einem unzulässigem Betrieb oder einem Betrieb außerhalb der Produktspezifikation resultieren.

## DIMM Steckplätze



## Speichermodul-Installationsempfehlung

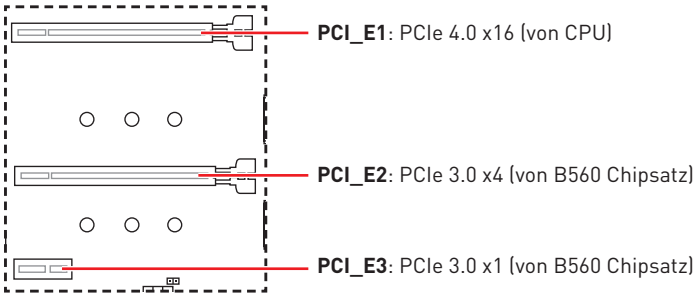


### **Wichtig**

- Um einen sicheren Systemstart zu gewährleisten, bestücken Sie immer **DIMMA2** zuerst.
- Stellen Sie im Dual-Kanal-Modus bitte sicher, dass Sie Module des gleichen Typs und identischer Speicherdichte in den DIMM Slots unterschiedlicher Kanäle verwenden.
- Einige Speichermodule können beim Übertakten auf einer niedrigeren Frequenz arbeiten, als der festgelegte Wert - abhängig von dem SPD (Serial Presence Detect). Stellen Sie im BIOS-Setup mit **DRAM Frequency** die Speicherfrequenz ein, wenn Sie mit der festgelegten oder einer höheren Speicherfrequenz arbeiten möchten.
- Es wird empfohlen, ein effizienteres Speicherkühlsystem bei einer Vollbestückung des DIMMs oder beim Übertakten zu verwenden.
- Die Stabilität und Kompatibilität beim Übertakten der installierten Speichermodule sind abhängig von der installierten CPU und den installierten Geräten.
- Weitere Informationen zu kompatiblen Speichermodulen finden Sie unter: <http://www.msi.com>.



## PCI\_E1~3: PCIe Erweiterungssteckplätze

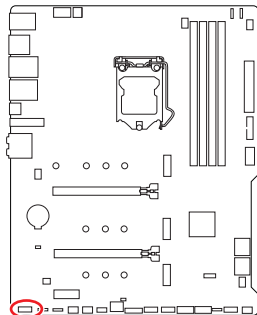


### Wichtig

- Wenn Sie eine große und schwere Grafikkarte einbauen, benötigen Sie einen **Grafikkarten-Stabilisator (Graphics Card Bolster)** der das Gewicht trägt und eine Verformung des Steckplatzes vermeidet..
- Für die Installation einer einzelnen PCIe x16 Erweiterungskarte mit optimaler Leistung, empfehlen wir den **PCI\_E1** Steckplatz zu verwenden.
- Achten Sie darauf, dass Sie den Strom abschalten und das Netzkabel aus der Steckdose herausziehen, bevor Sie eine Erweiterungskarte installieren oder entfernen. Lesen Sie bitte auch die Dokumentation der Erweiterungskarte, um notwendige zusätzliche Hardware oder Software-Änderungen zu überprüfen.

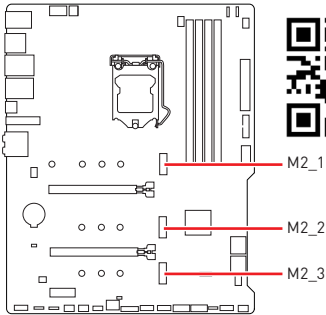
## JAUD1: Audioanschluss des Frontpanels

Dieser Anschluss ermöglicht den Anschluss von Audiobuchsen eines Frontpanels.



1	MIC L	2	Ground
3	MIC R	4	NC
5	Head Phone R	6	MIC Detection
7	SENSE_SEND	8	No Pin
9	Head Phone L	10	Head Phone Detection

## M2\_1~3: M.2 Steckplätze (Key M)



### Video-Demonstration

Eine anschauliche Darstellung zur Installation eines M.2 SSD finden Sie im Video..

<https://youtu.be/2UeWMgjwogU>

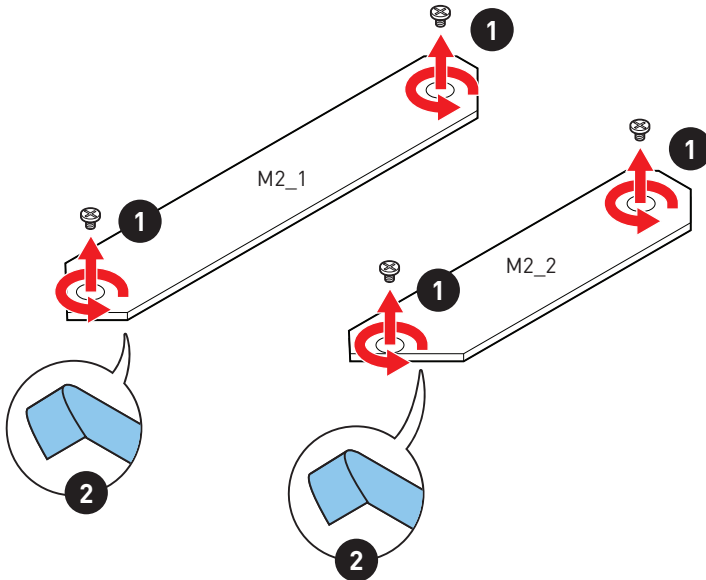


### Wichtig

- Intel® RST unterstützt nur PCIe M.2 SSD mit UEFI ROM.
- Intel® Optane™ Technik unterstützt nur M2\_3-Steckplatz.

### Installation eines M.2 Moduls

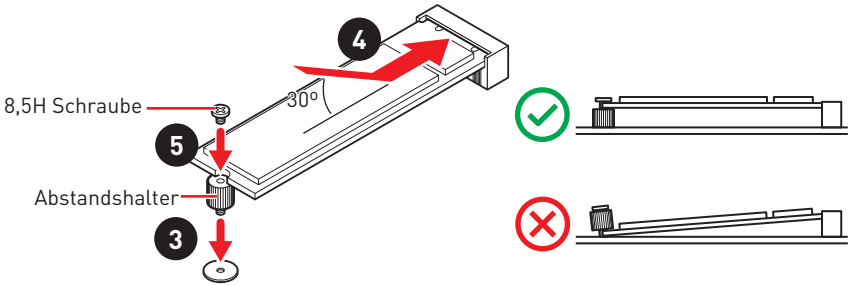
1. Lösen Sie die Schraube des M.2-SHIELD FROZR-Kühlkörpers.
2. Entfernen den M.2-SHIELD FROZR und entfernen Sie die Schutzfolie von den Wärmeleitpads.



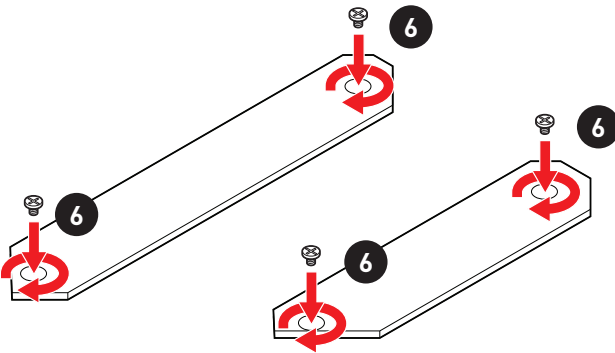
3. Wählen Sie die Montageposition entsprechend Ihrer M.2 SSD Länge.
4. Stecken Sie eine M.2-SSD im 30-Grad-Winkel in den M.2-Steckplatz.
5. Schrauben Sie den M.2 SSD mit 8,5H M.2-Schraube.

**! Wichtig**

- Der M.2 SHIELD FROZR-Kühlkörper für den Steckplatz M2\_1 ist nur für das MAG B560 TOMAHAWK WIFI verfügbar.
- Überspringen Sie Schritt 3 und Schritt 5, wenn Sie eine 22110 M.2 in den M2\_1-Steckplatz oder eine 2280 M.2 in M2\_2-Steckplatz installieren.

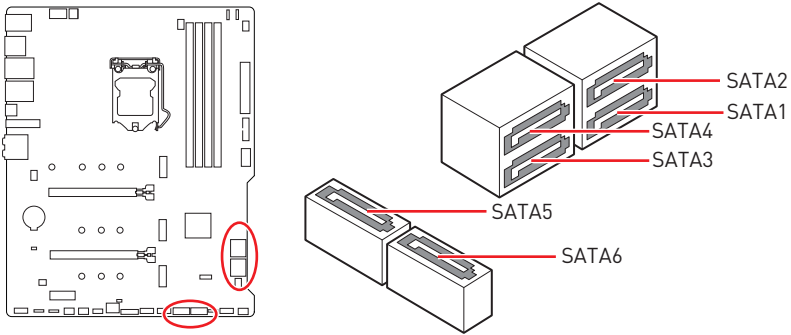


6. Setzen Sie den M.2 SHIELD FROZR-Kühlkörper wieder ein und sichern Sie ihn.



## SATA1~6: SATA 6Gb/s Anschlüsse

Dieser Anschluss basiert auf der Hochgeschwindigkeitsschnittstelle SATA 6 Gb/s. Pro Anschluss kann ein SATA Gerät angeschlossen werden.



### ! Wichtig

- Knicken Sie das SATA-Kabel nicht in einem 90° Winkel. Datenverlust könnte die Folge sein.
- SATA-Kabel haben identische Stecker an beiden Enden. Es wird empfohlen den flachen Stecker auf dem Motherboard einstecken.
- SATA1 wird nicht zur Verfügung stehen, wenn Sie eine M.2 SATA SSD im M2\_2 Steckplatz installieren.

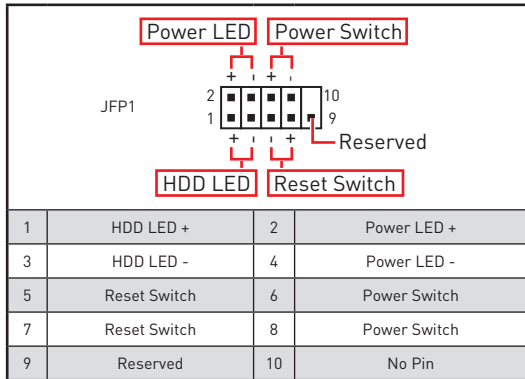
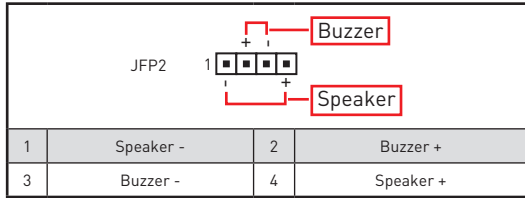
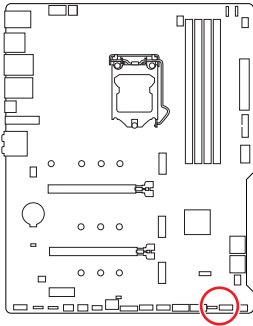
### Tabelle der M.2- und SATA-Gerätekombination

Steckplatz	Verfügbare SATA Anschlüsse	
M2_1	PCIe (Der M2_1-Steckplatz ist nur für Intel®-CPUs der 11. Generation verfügbar)	
M2_2	PCIe	SATA
M2_3	PCIe (M2_3 Steckplatz unterstützt SATA)	
SATA1	✓	—
SATA2	✓	✓
SATA3	✓	✓
SATA4	✓	✓
SATA5	✓	✓
SATA6	✓	✓

[SATA: M.2 SATA SSD, PCIe: M.2 PCIe SSD, ✓: Verfügbar, —: Nicht verfügbar]

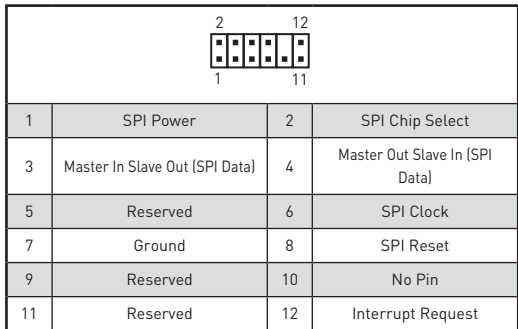
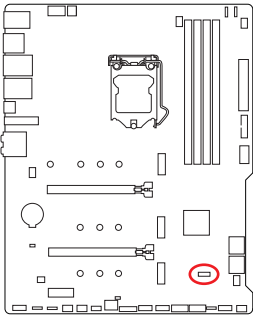
## JFP1, JFP2: Frontpanel-Anschlüsse

Diese Anschlüsse verbinden die Schalter und LEDs des Frontpanels.



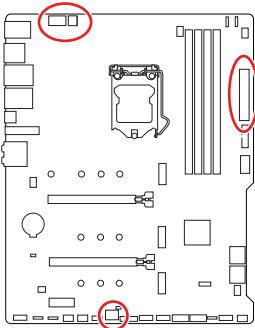
## JTPM1: TPM Anschluss

Dieser Anschluss wird für das TPM Modul (Trusted Platform Module) verwendet. Weitere Informationen über den Einsatz des optionalen TPM Modules entnehmen Sie bitte dem TPM Plattform Handbuch.



## CPU\_PWR1~2, ATX\_PWR1, PCIE\_PWR1: Stromanschlüsse

Mit diesen Anschlüssen verbinden Sie die ATX Stromstecker.



1	Ground	5	+12V
2	Ground	6	+12V
3	Ground	7	+12V
4	Ground	8	+12V

1	Ground	3	+12V
2	Ground	4	+12V

1	+3.3V	13	+3.3V
2	+3.3V	14	-12V
3	Ground	15	Ground
4	+5V	16	PS-ON#
5	Ground	17	Ground
6	+5V	18	Ground
7	Ground	19	Ground
8	PWR OK	20	Res
9	5VSB	21	+5V
10	+12V	22	+5V
11	+12V	23	+5V
12	+3.3V	24	Ground

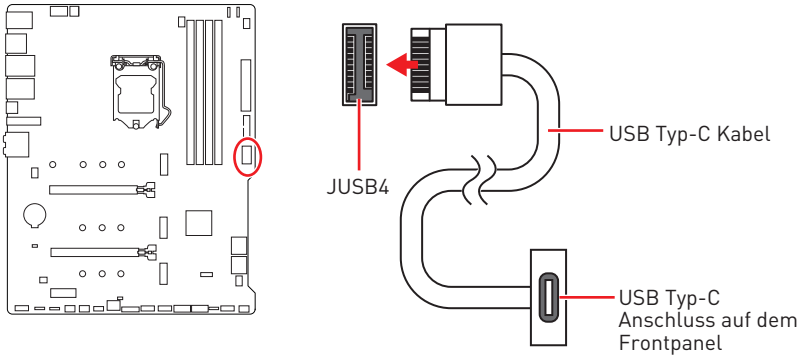
1	+12V	4	Ground
2	+12V	5	Ground
3	+12V	6	Ground

### **Wichtig**

Stellen Sie sicher, dass alle Anschlüsse mit den richtigen Anschlüssen des Netzteils verbunden sind, um einen stabilen Betrieb der Hauptplatine sicherzustellen.

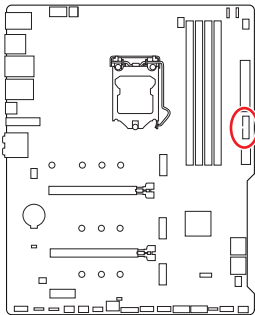
## JUSB4: USB 3.2 Gen 2 Typ-C Anschluss

Mit diesem Anschluss können Sie den USB 3.2 Gen 2 Typ-C Anschluss auf dem Frontpanel verbinden. Der Anschluss verfügt über ein besonders sicheres Design. Wenn Sie das Kabel anschließen, müssen Sie es in der entsprechenden Ausrichtung verbinden.



## JUSB3: USB 3.2 Gen 1 Anschluss

Mit diesem Anschluss können Sie die USB 3.2 Gen 1 Anschlüsse auf dem Frontpanel verbinden.



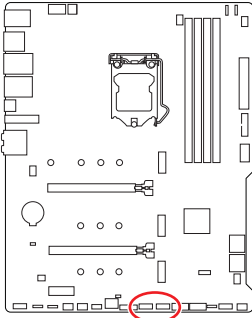
		10		11	
		1			20
1	Power		11		USB2.0+
2	USB3_RX_DN		12		USB2.0-
3	USB3_RX_DP		13		Ground
4	Ground		14		USB3_TX_C_DP
5	USB3_TX_C_DN		15		USB3_TX_C_DN
6	USB3_TX_C_DP		16		Ground
7	Ground		17		USB3_RX_DP
8	USB2.0-		18		USB3_RX_DN
9	USB2.0+		19		Power
10	Ground		20		No Pin

### **Wichtig**

Bitte beachten Sie, dass Sie die mit „Stromführende Leitung“ und „Erdleitung“ bezeichneten Pins korrekt verbinden müssen, ansonsten kann es zu Schäden kommen.

## JUSB1~2: USB 2.0 Anschlüsse

Mit diesen Anschlüssen können Sie die USB 2.0 Anschlüsse auf dem Frontpanel verbinden.



1	VCC	2	VCC
3	USB0-	4	USB1-
5	USB0+	6	USB1+
7	Ground	8	Ground
9	No Pin	10	NC

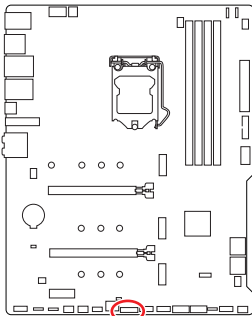


### Wichtig

- Bitte beachten Sie, dass Sie die mit VCC (Stromführende Leitung) und Ground (Erdung) bezeichneten Pins korrekt verbinden müssen, ansonsten kann es zu Schäden kommen.
- Um ein iPad, iPhone und einen iPod über USB-Anschlüsse aufzuladen, installieren Sie bitte die MSI® Center-Dienstprogramm.

## JTBT1: Anschluss für Thunderbolt-Erweiterungskarte

Mit diesem Anschluss können Sie eine Ein-/Ausgang der Thunderbolt-Erweiterungskarte anschließen.

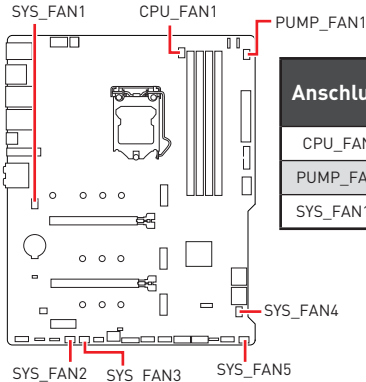


1	TBT_FORCE_PWR	2	TBT_S0IX_ENTRY_REQ
3	TBT_CIO_PLUG_EVENT#	4	TBT_S0IX_ENTRY_ACK
5	SLP_S3#_TBT	6	TBT_PSON_OVERRIDE_N
7	SLP_S5#_TBT	8	No Pin
9	Ground	10	SMBCLK_VSB
11	DG_PEWAKE#	12	SMBDATA_VSB
13	TBT_RTD3_PWR_EN	14	Ground
15	TBT_CARD_DET_R#	16	PD_IRQ#



## CPU\_FAN1, PUMP\_FAN1, SYS\_FAN1~5: Stromanschlüsse für Lüfter

Diese Anschlüsse können im PWM (Pulse Width Modulation) Modus oder Spannungsmodus betrieben werden. Im PWM-Modus bieten die Lüfteranschlüsse konstante 12V Ausgang und regeln die Lüftergeschwindigkeit per Drehzahlsteuersignal. Im DC-Modus bestimmen die Lüfteranschlüsse die Lüftergeschwindigkeit durch Ändern der Spannung. Dieses Motherboard kann den PWM- und DC-Modus automatisch erfassen. Folgen Sie den folgenden Anweisungen, um den PWM- oder DC-Modus manuell auszuwählen.



Anschluss	Standard-lüftermodus	Max. Strom	Max. Leistung
CPU_FAN1	PWM-Modus	2A	24W
PUMP_FAN1	PWM-Modus	3A	36W
SYS_FAN1~5	DC-Modus	1A	12W

### Umschalten des Lüfter-Modus und Anpassung der Lüfterdrehzahl

Sie können unter **BIOS > HARDWARE MONITOR** zwischen dem PWM- und DC-Modus umschalten und die Lüfterdrehzahl ändern.

Wählen Sie den **PWM-** oder **DC-**Modus aus



Die Gradientenpunkte des Lüfterverlaufs erlauben die Anpassung der Lüfterdrehzahl in Abhängigkeit von der CPU-Temperatur.



**Überprüfen Sie die ordnungsgemäße Funktion der Lüfter nach dem Umschalten des PWM-/ DC-Modus.**

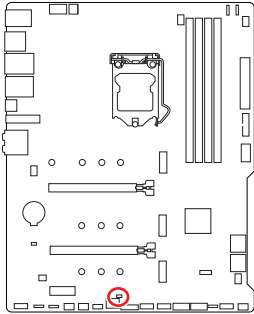
### Pin-Belegung der Lüfteranschlüsse

1  Pin-Belegung des PWM-Modus			
1	Ground	2	+12V
3	Sense	4	Speed Control Signal

1  Pin-Belegung des DC-Modus			
1	Ground	2	Voltage Control
3	Sense	4	NC

## JCI1: Gehäusekontaktanschluss

Dieser Anschluss wird mit einem Kontaktschalter verbunden.



Normal  
(Standardwert)



Löse den  
Gehäuseeingriff aus

### Gehäusekontakt-Detektor verwenden

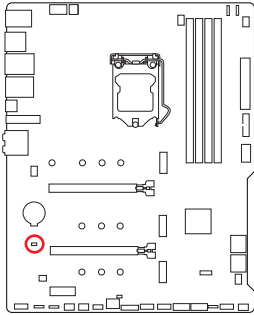
1. Schließen Sie den **JCI1**-Anschluss am Gehäusekontakt-Schalter/ Sensor am Gehäuse an.
2. Schließen Sie die Gehäuseabdeckung.
3. Gehen Sie zu **BIOS > SETTINGS > Security > Chassis Intrusion Configuration**.
4. Stellen Sie **Chassis Intrusion** auf **Enabled**.
5. Drücken Sie **F10** zum Speichern und Beenden und drücken Sie dann die **Enter**-Taste, um **Ja** auszuwählen.
6. Bei eingeschaltetem Computer wird eine Warnmeldung auf dem Bildschirm angezeigt, wenn die Gehäuseabdeckung wieder geöffnet wird.

### Gehäusekontakt-Warnung zurücksetzen

1. Gehen Sie zu **BIOS > SETTINGS > Security > Chassis Intrusion Configuration**.
2. Stellen Sie **Chassis Intrusion** auf **Reset**.
3. Drücken Sie **F10** zum Speichern und Beenden und drücken Sie dann die **Enter**-Taste, um **Ja** auszuwählen.

## JBAT1: Clear CMOS Steckbrücke (Reset BIOS)

Der Onboard CMOS Speicher (RAM) wird durch eine externe Spannungsversorgung durch eine Batterie auf dem Motherboard versorgt, um die Daten der Systemkonfiguration zu speichern. Wenn Sie die Systemkonfiguration löschen wollen, müssen Sie die Steckbrücke für kurze Zeit umsetzen.



Daten  
beibehalten  
(Standardwert)



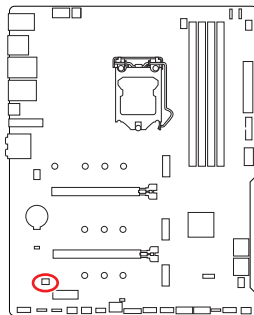
CMOS-Daten  
löschen/ Reset  
des BIOS

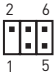
### Rücksetzen des BIOS auf Standardwerte

1. Schalten Sie den Computer ab und ziehen Sie das Netzkabel ab.
2. Verwenden Sie eine Steckbrücke, um **JBAT1** für 5-10 Sekunden kurzzuschließen.
3. Entfernen Sie die Steckbrücke von **JBAT1**.
4. Stecken Sie das Kabel Ihres Computers in die Steckdose hinein und schalten Sie den Computer ein.

## JDASH1 : Tuning Controller-Anschluss

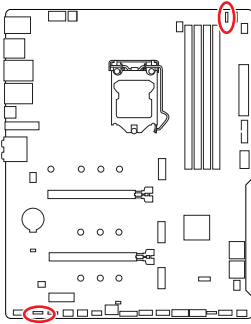
An diesem Anschluss wird ein optionales Tuning Controller-Modul angeschlossen.



			
1	No Pin	2	NC
3	MCU_SMB_SCL_M	4	MCU_SMB_SDA_M
5	VCC5	6	Ground

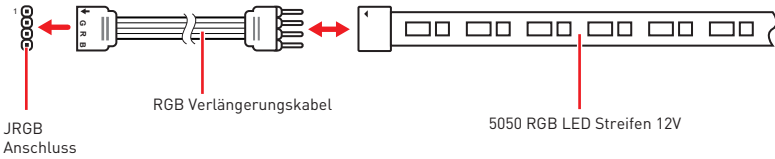
## JRGB1~2: RGB LED Anschlüsse

Mit den JRGB Anschlüsse können Sie den 5050 RGB-LED-Streifen (12 V) anschließen.

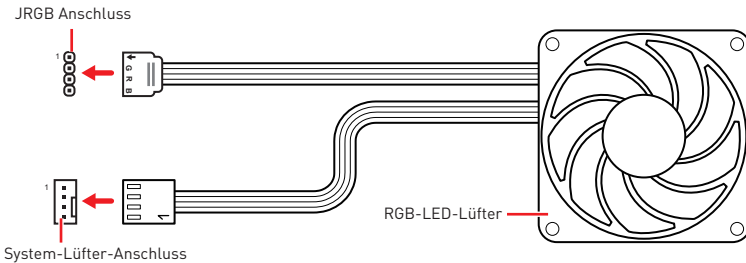


1			
1	+12V	2	G
3	R	4	B

### RGB-LED-Streifen anschließen



### RGB-LED-Lüfteranschluss

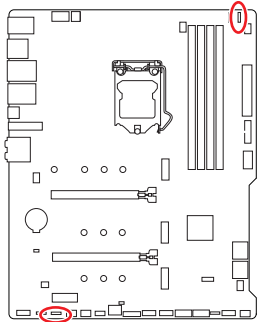


### **Wichtig**

- Der JRGB Anschluss unterstützt bis zu 2 Metern 5050 RGB LED-Streifen (12V/G/R/B) mit der maximalen Leistung von 3 A (12 V).
- Schalten Sie die Stromversorgung aus und ziehen Sie das Netzkabel ab, bevor Sie die RGB-LED-Streifen ein- und ausbauen.
- Bitte verwenden Sie die MSI-Software zur Steuerung des LED-Leuchtstreifens.

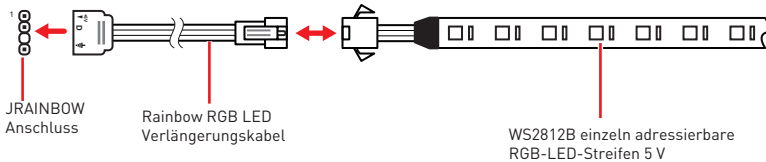
## JRAINBOW1~2: Adressierbare RGB LED Anschlüsse

JRAINBOW ermöglicht den Anschluss von WS2812B einzeln adressierbaren RGB-LED-Streifen (5 V).

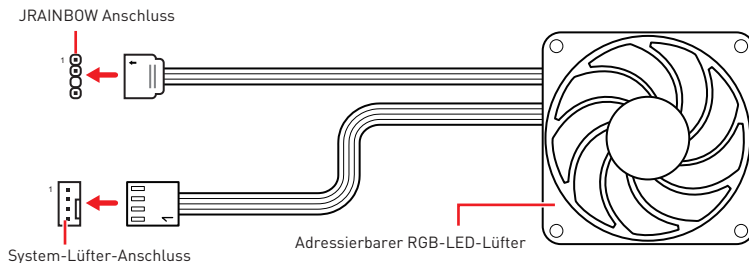


1			
1	+5V	2	Data
3	No Pin	4	Ground

### Adressierbarer RGB-LED-Streifen anschließen



### Adressierbarer RGB-LED-Lüfteranschluss



### **! ACHTUNG**

Schließen Sie nur passende LED-Streifen an. Der JRGB- und der JRAINBOW-Anschluss verfügen über unterschiedliche Spannungen. Der Anschluss eines 5 V LED-Streifens an den JRGB-Anschluss führt zu einer Beschädigung des LED-Streifens.

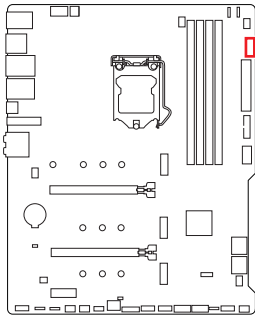
### **! Wichtig**

- Der JRAINBOW Anschluss unterstützt bis zu 75 LEDs WS2812B einzeln adressierbare RGB-LED-Streifen (5 V/ Daten/ Erdung) mit der maximalen Leistung von 3 A (5 V). Bei einer Helligkeit von 20 Prozent unterstützt dieser Anschluss bis zu 200 LEDs.
- Schalten Sie die Stromversorgung aus und ziehen Sie das Netzkabel ab, bevor Sie die RGB-LED-Streifen ein- und ausbauen.
- Bitte verwenden Sie die MSI-Software zur Steuerung des LED-Leuchtbereichs.

# Onboard LEDs

## EZ Debug LED

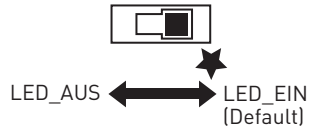
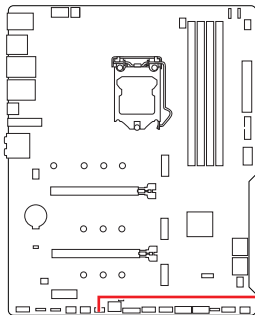
Diese LEDs zeigen den Debug-Status des Motherboards an.



- CPU** - CPU wird nicht erkannt oder ist fehlerhaft.
- DRAM** - DRAM wird nicht erkannt oder ist fehlerhaft.
- VGA** - GPU wird nicht erkannt oder ist fehlerhaft.
- BOOT** - Boot-Gerät wird nicht erkannt oder ist fehlerhaft.

## LED\_SW1: EZ LED-Steuerung

Mit diesem Schalter werden alle LEDs des Motherboards ein- und ausgeschaltet.



# Installation von OS, Treibern & MSI Center

Laden Sie die neuesten Treiber und Dienstprogramme von [www.msi.com](http://www.msi.com) herunter und aktualisieren Sie sie.

## Installation von Windows® 10

1. Schalten Sie den Computer ein.
2. Legen Sie die Windows® 10 Disk oder das USB-Flashlaufwerk in das optische Laufwerk.
3. Drücken Sie die Taste **Restart** auf dem Computergehäuse.
4. Drücken Sie die **F11**-Taste während des POST-Vorgangs (Power-On Self Test), um das Bootmenu zu öffnen.
5. Wählen Sie das optische Laufwerk aus dem Bootmenu.
6. Wenn eine entsprechende Meldung **Press any key to boot from CD or DVD...** angezeigt wird, drücken Sie eine beliebige Taste.
7. Folgen Sie den Anweisungen auf dem Bildschirm, um das Dienstprogramm „Windows® 10“ zu installieren.

## Installation von Treibern

1. Starten Sie Ihren Computer mit Windows® 10.
2. Legen Sie das MSI® USB-Laufwerk am USB-Anschluss.
3. Klicken Sie auf die Pop-up-Meldung **Wählen Sie eine Aktion für Wechseldatenträger aus**, und wählen Sie **DVDSetup.exe starten** aus, um den Installer zu öffnen. Wenn Sie die AutoPlay-Funktionen in der Windows-Systemsteuerung ausschalten, können Sie das Programm **DVDSetup.exe** im Hauptverzeichnis des MSI USB-Laufwerk auch manuell ausführen.
4. Der Installer wird findet eine Liste aller benötigten Treiber auf der **Treiber/ Software**-Registerkarte.
5. Klicken Sie auf **Install** in der rechten unteren Ecke des Fensters.
6. Die Treiber-Installation läuft. Wenn die Installation abgeschlossen ist, werden Sie dazu aufgefordert, den Computer neu zu starten.
7. Klicken Sie zum Beenden auf **OK**.
8. Starten Sie Ihren Computer neu.

## MSI Center

MSI Center ist eine Anwendung, mit der Sie die Spieleinstellungen einfach optimieren und die Software zur Erstellung von Inhalten einstellen können. Außerdem können Sie LED-Lichteffekte in PCs und anderen MSI-Produkten steuern und synchronisieren. Mit MSI Center können Sie ideale Modi einstellen, die Systemleistung überwachen und die Lüftergeschwindigkeit anpassen.

### MSI Center Benutzerhandbuch



Wenn Sie weitere Informationen zu MSI Center wünschen, besuchen Sie bitte

<http://download.msi.com/manual/mb/MSICENTER.pdf>

oder scannen Sie den QR-Code.



Die Funktionen können je nach Produkt variieren.

# UEFI BIOS

Das MSI UEFI-BIOS ist mit der UEFI-Architektur (Unified Extensible Firmware Interface) kompatibel. Das UEFI-BIOS hat viele neue Funktionen und besitzt Vorteile, die das traditionelle BIOS nicht bieten kann. Es wird zukünftige PCs und Geräte, die der UEFI-Firmware-Architektur entsprechen, vollständig unterstützen.



## Wichtig

Der Begriff „BIOS“ bezieht sich in diesem Benutzerhandbuch auf das UEFI-BIOS, sofern nicht anders angegeben.

## Vorteile von UEFI

- Schnelles Booten - UEFI kann das Betriebssystem direkt booten und den BIOS-Selbsttestprozess speichern. Außerdem entfällt die Zeit, um während des POST in den CSM-Modus zu wechseln.
- Unterstützt Festplattenpartitionen, die größer als 2 TB sind.
- Unterstützt mehr als 4 primäre Partitionen mit einer GUID-Partitionstabelle (GPT).
- Unterstützt eine unbegrenzte Anzahl an Partitionen.
- Unterstützt den vollen Funktionsumfang neuer Geräte – neue Geräte bieten möglicherweise keine Abwärtskompatibilität.
- Unterstützt sicheren Start – UEFI kann die Gültigkeit des Betriebssystems überprüfen, um sicherzustellen, dass keine Malware den Startvorgang beeinträchtigt.

## Inkompatible UEFI-Fälle

- **32-Bit-Windows-Betriebssystem** - Dieses Motherboard unterstützt nur das 64-Bit-Windows 10-Betriebssystem.
- **Ältere Grafikkarten** - Das System erkennt Ihre Grafikkarte. Bei Erkennung einer nicht kompatiblen Grafikkarte wird die Warnmeldung **Auf dieser Grafikkarte wurde keine GOP-Unterstützung (Graphics Output Protocol) erkannt** erkannt.



## Wichtig

Wir empfehlen Ihnen, eine GOP / UEFI-kompatible Grafikkarte zu nutzen oder eine CPU mit integrierter Grafikeinheit zu verwenden, um eine normale Funktion des Systems zu gewährleisten.

## Wie überprüfe ich den BIOS-Modus?

1. Schalten Sie den Computer ein.
2. Während des BOOT-Vorgangs drücken Sie die Taste **ENTF**, wenn die Meldung **Press DEL key to enter Setup Menu, F11 to enter Boot Menu** erscheint.
3. Nach dem Aufrufen des BIOS können Sie den **BIOS-Modus** oben auf dem Bildschirm überprüfen.

BIOS Mode: UEFI



## BIOS Setup

Die Standardeinstellungen bieten die optimale Leistung für die Systemstabilität unter Normalbedingungen. Sie sollten **immer die Standardeinstellungen behalten**, um mögliche Schäden des Systems oder Boot-Fehler zu vermeiden, außer Sie besitzen ausreichende BIOS Kenntnisse.



### Wichtig

- *BIOS Funktionen werden für eine bessere Systemleistung kontinuierlich aktualisiert. Deswegen können die Beschreibungen leicht von der letzten Fassung des BIOS abweichen und sollten demnach nur als Anhaltspunkte dienen. Für eine Beschreibung der BIOS Funktionen rufen Sie die **HELP** Informationstafel aus.*
- *Die BIOS-Bildschirme, -Optionen und -Einstellungen variieren je nach System.*

## Öffnen des BIOS Setups

Während des BOOT-Vorgangs drücken Sie die Taste **ENTF**, wenn die Meldung **Press DEL key to enter Setup Menu, F11 to enter Boot Menu** erscheint.

### Funktionstasten

- F1:** Allgemeine Hilfe
  - F2:** Hinzufügen/Entfernen eines Favoritenpunkts
  - F3:** Öffnen des Favoriten Menüs
  - F4:** Öffnen des Menüs CPU-Spezifikationen
  - F5:** Öffnen des Memory-Z Menüs
  - F6:** Laden der ursprünglichen Setup-Standardwerte
  - F7:** Wechselt zwischen dem Erweiterten-Modus und EZ-Modus
  - F8:** OC-Profil wird vom USB-Stick geladen
  - F9:** OC-Profil wird auf einem USB-Stick gespeichert
  - F10:** Speichern oder Zurücksetzen der Änderungen\*
  - F12:** Macht einen Screenshot und speichert auf einen FAT/FAT32-USB-Laufwerk.
- Strg+F:** Öffnet die Suchseite

\* Beim Drücken der F10 Taste wird das Fenster zum Speichern der Einstellungen angezeigt. Wählen Sie **Yes**, um die Wahl zu bestätigen, oder **No**, um die derzeitige Einstellung beizubehalten.

## BIOS-Benutzerhandbuch



Wenn Sie weitere Anweisungen zur BIOS-Einrichtung wünschen, lesen Sie bitte

<http://download.msi.com/manual/mb/Intel500BIOSde.pdf>

oder scannen Sie den QR-Code.

## Reset des BIOS

Sie können die Werkseinstellung wieder herstellen, um bestimmte Probleme zu lösen. Es gibt verschiedene Möglichkeiten, um das BIOS zurückzusetzen:

- Öffnen Sie das BIOS und drücken Sie **F6**, um optimierten Einstellungen zu laden.
- Schließen Sie die **Clear CMOS Steckbrücke** an das Motherboard an.
- Drücken Sie die **Clear CMOS Taste** auf der Rückseite E/A des Panels.



Bitte lesen Sie für Informationen zum BIOS-Reset im Bereich „**Clear CMOS Steckbrücke/Taste**“ nach.

## Aktualisierung des BIOS

### Aktualisierung des BIOS mit dem M-FLASH-Programm

Vorbereitung:

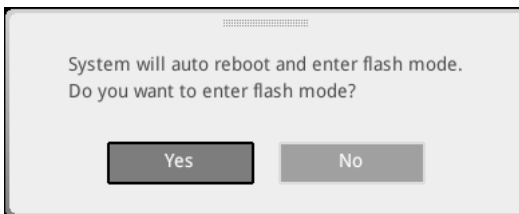
Laden Sie bitte die neueste BIOS Version, die dem Motherboard-Modell entspricht, von der offiziellen MSI Website herunter und speichern Sie die BIOS-Datei auf USB-Flash-Laufwerk.

BIOS-Aktualisierungsschritte:

1. Schließen das USB-Flashlaufwerk mit der BIOS-Datei an den Computer.
2. Bitte folgen Sie den nachfolgenden Schritten, um in den Blitz-Modus zu schalten.
  - Beim Neustart drücken Sie während des POST-Vorgangs die Taste **Ctrl + F5** und klicken Sie auf **Yes (Ja)**, um das System neu zu starten.

Press <Ctrl+F5> to activate M-Flash for BIOS update.

- Beim Neustart drücken Sie während des POST-Vorgangs die Taste **Del (Entf)** während des POST-Vorgangs die Taste. Klicken Sie die Taste **M-FLASH** und klicken Sie auf **Yes (Ja)**, um das System neu zu starten.



3. Wählen Sie die BIOS-Datei zur Durchführung des BIOS-Aktualisierungsprozesses aus.
4. Klicken Sie auf **Ja**, wenn Sie dazu aufgefordert werden, um die Wiederherstellung des BIOS zu starten.
5. Nachdem das Flashen des BIOS vollständig ist, startet das System automatisch neu.

## Aktualisierung des BIOS mit MSI Center

Vorbereitung:

- Stellen Sie sicher, dass zuvor die LAN-Treiber installiert wurden und eine Internetverbindung eingerichtet ist.
- Bitte schließen Sie jegliche andere Anwendungssoftware, bevor Sie das BIOS aktualisieren.

Schritte zur Aktualisierung des BIOS:

1. Installieren und starten Sie „MSI Center“ und gehen Sie zur **Support**-Seite.
2. Wählen Sie **Live Update** aus und klicken Sie auf die Schaltfläche **Advance**.
3. Wählen Sie die BIOS-Datei aus und klicken Sie auf das **Install**-Symbol.
4. Die Installationsanweisung wird angezeigt, klicken Sie daraufhin auf die Schaltfläche **Install**.
5. Das System wird automatisch neu gestartet, um das BIOS zu aktualisieren.
6. Nachdem das Flashen des BIOS vollständig ist, startet das System automatisch neu.



# Table des matières

<b>Informations de sécurité</b> .....	<b>3</b>
Avertissement pour l'installation des entretoises .....	4
<b>Spécifications</b> .....	<b>5</b>
<b>Contenu</b> .....	<b>12</b>
<b>Panneau arrière Entrée / Sortie</b> .....	<b>13</b>
Tableau explicatif de l'état de la LED du port LAN .....	14
Configuration des ports audio.....	14
Realtek Audio Console .....	14
<b>Vue d'ensemble des composants</b> .....	<b>18</b>
Socket Processeur .....	19
Slots DIMM .....	20
PCI_E1~3 : Slots d'extension PCIe .....	21
JAUD1 : Connecteur audio avant.....	21
M2_1~3 : Slots M.2 (Touche M) .....	22
SATA1~6 : Connecteurs SATA 6 Gb/s.....	24
JFP1, JFP2 : Connecteurs de panneau avant .....	25
JTPM1 : Connecteur de module TPM.....	25
CPU_PWR1~2, ATX_PWR1, PCIE_PWR1 : Connecteurs d'alimentation .....	26
JUSB4 : Connecteur USB 3.2 Gen 2 Type-C .....	27
JUSB3 : Connecteur USB 3.2 Gen 1 .....	27
JUSB1~2 : Connecteurs USB 2.0 .....	28
JTBT1 : Connecteur de carte additionnelle Thunderbolt .....	28
CPU_FAN1, PUMP_FAN1, SYS_FAN1~5 : Connecteurs de ventilateur .....	29
JCI1 : Connecteur intrusion châssis .....	30
JBAT1 : Cavalier Clear CMOS (Réinitialiser le BIOS).....	31
JDASH1 : Connecteur du contrôleur de réglages.....	31
JRGB1~2 : Connecteurs LED RGB .....	32
JRAINBOW1~2 : Connecteurs LED RGB adressables .....	33
<b>Indicateurs LED embarqués</b> .....	<b>34</b>
EZ Debug LED.....	34
LED_SW1 : Contrôle EZ LED .....	34
<b>Installer OS, Pilotes et MSI Center</b> .....	<b>35</b>
Installer Windows® 10 .....	35
Installer les pilotes.....	35
MSI Center .....	36

<b>UEFI BIOS.....</b>	<b>37</b>
Configuration du BIOS.....	38
Entrer dans l'interface Setup du BIOS.....	38
Guide d'utilisation du BIOS.....	38
Réinitialiser le BIOS.....	39
Mettre le BIOS à jour .....	39

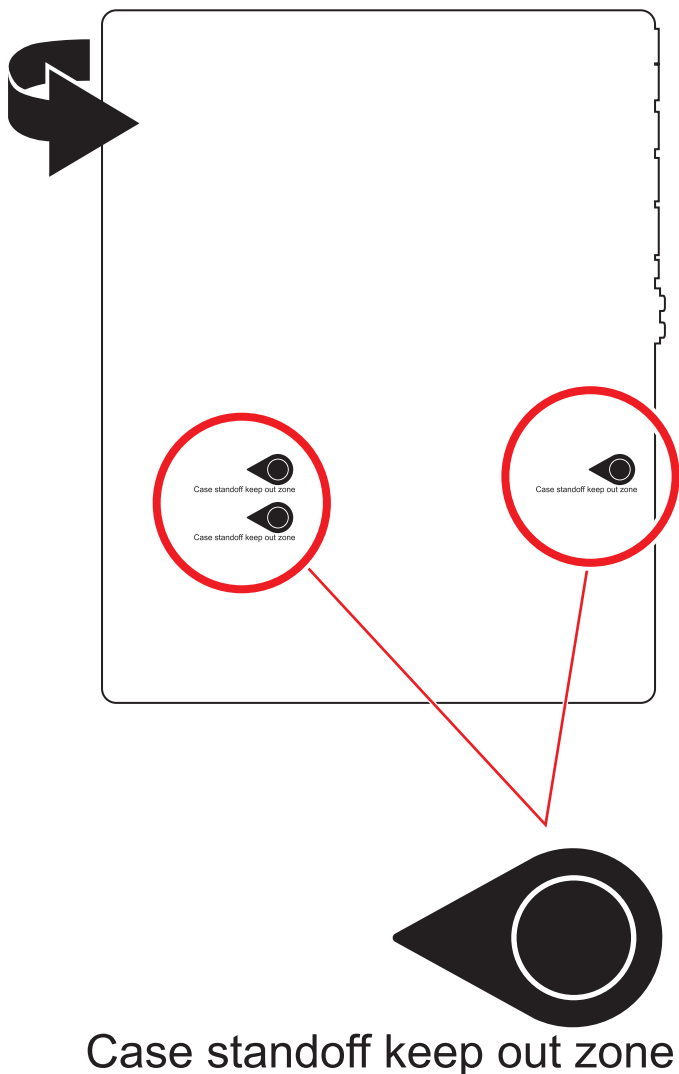
# Informations de sécurité

- Les composants dans l'emballage peuvent être endommagés par des décharges électrostatiques (ESD). Pour vous assurer de correctement monter votre ordinateur, veuillez vous référer aux instructions ci-dessous.
- Assurez-vous de bien connecter tous les composants. En cas de mauvaise connexion, il se peut que l'ordinateur ne reconnaisse pas le composant et que le démarrage échoue.
- Veuillez tenir la carte mère par les bords pour éviter de toucher les composants sensibles.
- Il est recommandé de porter un bracelet antistatique lors de la manipulation de la carte mère pour prévenir tout dommage. Si vous n'avez pas de bracelet antistatique, touchez un objet métallique relié à la terre avant de manipuler la carte mère afin de vous décharger de votre charge statique. Touchez régulièrement l'objet métallique pendant toute la manipulation.
- Tant que la carte mère n'est pas installée, conservez-la dans un récipient protégé contre les ondes électrostatiques ou sur une couche antistatique.
- Avant de démarrer l'ordinateur, vérifiez si toutes les vis et les composants métalliques sont bien fixés sur la carte mère ou ailleurs dans le boîtier de l'ordinateur.
- Ne démarrez pas l'ordinateur avant d'avoir terminé l'installation. Ceci peut endommager les composants ou vous blesser.
- Si vous avez besoin d'aide pendant l'installation, veuillez consulter un technicien informatique certifié.
- Avant d'installer les composants d'ordinateur, veuillez toujours mettre hors tension et débrancher le cordon d'alimentation.
- Gardez ce manuel pour références futures.
- Protégez ce manuel contre l'humidité.
- Avant de brancher le bloc d'alimentation sur la sortie électrique, veuillez vous assurer que la tension de la sortie électrique est bien égale à celle du bloc d'alimentation.
- Placez le cordon d'alimentation de façon à éviter que l'on marche dessus. Ne posez rien sur le cordon d'alimentation.
- Veuillez prêter attention à toutes les alertes et remarques indiquées sur la carte mère.
- Dans un cas comme ci-dessous, faites appel au service autorisé pour vérifier votre carte mère :
  - Un liquide a pénétré dans l'ordinateur.
  - La carte mère a été exposée à de l'humidité.
  - La carte mère ne fonctionne pas comme indiqué dans les instructions.
  - La carte mère est tombée par terre et a été endommagée.
  - La carte mère est cassée.
- Ne pas mettre la carte mère dans un environnement dont la température est supérieure à 60 ° C (140 ° F) sous peine de l'endommager.

## Avertissement pour l'installation des entretoises

Avant d'installer la carte mère dans le boîtier, installez d'abord les entretoises nécessaires pour la carte mère sur la plaque de montage du boîtier.

Pour éviter d'endommager la carte mère, il est interdit d'installer des entretoises inutiles entre le circuit de la carte mère et le boîtier de l'ordinateur. Les signes de zone interdite (Keep Out Zone) sont marqués à l'arrière de la carte mère (comme indiqué ci-dessous) pour servir d'avertissement à l'utilisateur.





# Spécifications

<b>CPU</b>	<ul style="list-style-type: none"> <li>• Support des processeurs Intel® Core™ de 10ème génération, Intel® Core™ de 11ème génération, Pentium® Gold et Celeron®*</li> <li>• Socket LGA1200</li> </ul> <p>* Veuillez vous au site intel.com pour plus d'informations de compatibilité.</p>
<b>Chipset</b>	Chipset Intel® B560
<b>Mémoire</b>	<ul style="list-style-type: none"> <li>• 4 x slots pour mémoire DDR4, support jusqu'à 128 Go*             <ul style="list-style-type: none"> <li>▪ Support 1R 2133/ 2666/ 2933 MHz pour processeur Intel® de 10ème génération (par JEDEC et POR)</li> <li>▪ Support 1R 2133/ 2666/ 2933/ 3200 MHz pour processeur Intel® de 11ème génération (par JEDEC et POR)</li> </ul> </li> <li>• Fréquence d'overclocking maximale :             <ul style="list-style-type: none"> <li>▫ La fréquence maximale en mode 1DPC 1R monte jusqu'à 5066 MHz</li> <li>▫ La fréquence maximale en mode 1DPC 2R monte jusqu'à 4600+ MHz</li> <li>▫ La fréquence maximale en mode 2DPC 1R monte jusqu'à 4266+ MHz</li> <li>▫ La fréquence maximale en mode 2DPC 2R monte jusqu'à 4000+ MHz</li> </ul> </li> <li>• Support mode double canal</li> <li>• Support non-ECC, mémoire un-buffered</li> <li>• Support Intel® Extreme Memory Profile (XMP)</li> </ul> <p>* Veuillez vous référer au site www.msi.com pour plus d'informations sur la mémoire compatible.</p>
<b>Slot d'extension</b>	<ul style="list-style-type: none"> <li>• 2 x slots PCIe x16             <ul style="list-style-type: none"> <li>▪ PCI_E1 (depuis CPU)                 <ul style="list-style-type: none"> <li>▫ Support jusqu'à PCIe 4.0 pour processeur Intel® de 11ème génération</li> <li>▫ Support jusqu'à PCIe 3.0 pour processeur Intel® de 10ème génération</li> </ul> </li> <li>▪ PCI_E2 (depuis Chipset B560)                 <ul style="list-style-type: none"> <li>▫ Support jusqu'à PCIe 3.0 x4</li> </ul> </li> </ul> </li> <li>• 1 x slot PCIe 3.0 x1 (depuis Chipset B560)</li> </ul>
<b>Multi-GPU</b>	<ul style="list-style-type: none"> <li>• Support de la technologie AMD® CrossFire™ 2-Way</li> </ul>

Suite du tableau sur la page suivante

Suite du tableau sur la page précédente

<b>Sorties vidéo intégrées</b>	<ul style="list-style-type: none"><li>• 1 x port HDMI 2.0b avec HDR, supportant une résolution maximum de 4K 60 Hz*/**</li><li>• 1 x port DisplayPort 1.4, supportant une résolution maximum de 4K 60 Hz*/**</li></ul> <p>* Disponible uniquement pour le processeur avec puce graphique intégrée. ** Les caractéristiques des cartes graphiques peuvent varier en fonction du processeur installé.</p>
<b>Stockage</b>	<ul style="list-style-type: none"><li>• 6 x ports SATA 6 Gb/s (depuis Chipset B560)</li><li>• 3 x slots M.2 (Touche M)<ul style="list-style-type: none"><li>▪ Le slot M2_1 (depuis CPU)<ul style="list-style-type: none"><li>▫ Disponible uniquement sur les processeurs Intel® de 11ème génération</li><li>▫ Support jusqu'à PCIe 4.0 x4</li><li>▫ Support des périphériques de stockage 2242/ 2260/ 2280/ 22110</li></ul></li><li>▪ Le slot M2_2* (depuis Chipset B560)<ul style="list-style-type: none"><li>▫ Support jusqu'à PCIe 3.0 x4</li><li>▫ Support jusqu'à SATA 6 Gb/s</li><li>▫ Support des périphériques de stockage 2242/ 2260/ 2280</li></ul></li><li>▪ Le slot M2_3 (depuis Chipset B560)<ul style="list-style-type: none"><li>▫ Support jusqu'à PCIe 3.0 x4</li><li>▫ Support des périphériques de stockage 2242/ 2260/ 2280</li><li>▫ Intel® Optane™ Memory Ready**</li></ul></li></ul></li><li>• Support technologie Intel® Smart Response pour les processeurs Intel Core™</li></ul> <p>* Le connecteur SATA1 est indisponible lorsqu'un SSD M.2 SATA est installé dans le slot M2_2. ** Avant d'utiliser les modules de mémoire Intel® Optane™, veuillez vous assurer d'avoir mis à jour les pilotes et le BIOS avec la dernière version disponible sur le site officiel MSI.</p>

Suite du tableau sur la page suivante

Suite du tableau sur la page précédente

<b>USB</b>	<ul style="list-style-type: none"><li>• Chipset Intel® B560<ul style="list-style-type: none"><li>▪ 1 x port USB 3.2 Gen 2x2 20 Gb/s (1 Type-C sur le panneau arrière)</li><li>▪ 1 x port USB 3.2 Gen 2 10 Gb/s (1 Type-C disponible par l'intermédiaire du connecteur interne)</li><li>▪ 6 x ports USB 3.2 Gen 1 5 Gb/s (4 ports Type-A sur le panneau arrière, 2 ports Type-A disponibles par l'intermédiaire du connecteur interne)</li><li>▪ 4 x ports USB 2.0 sur le panneau arrière</li></ul></li><li>• Hub-GL850G<ul style="list-style-type: none"><li>▪ 4 x ports USB 2.0 disponibles par l'intermédiaire des connecteurs internes</li></ul></li></ul>
<b>Audio</b>	<p>Realtek® ALC897 Codec</p> <ul style="list-style-type: none"><li>• Audio haute définition 7.1</li><li>• Support sortie S/PDIF</li></ul>
<b>LAN</b>	<ul style="list-style-type: none"><li>• 1 x contrôleur Realtek® RTL8125B 2,5 Gb/s LAN</li><li>• 1 x contrôleur Intel® I219V 1 Gb/s LAN (Uniquement pour MAG B560 TORPEDO)</li></ul>
<b>Wireless LAN et Bluetooth®</b>	<p>Intel® Wi-Fi 6E AX210</p> <ul style="list-style-type: none"><li>• Le module sans-fil est pré-installé dans le slot M.2 (Touche E)</li><li>• Support MU-MIMO TX/RX, 2,4 GHz / 5 GHz / 6 GHz* (160 MHz) jusqu'à 2,4 Gb/s</li><li>• Support 802.11 a/ b/ g/ n/ ac/ ax</li><li>• Support Bluetooth® 5.2**, FIPS, FISMA</li></ul> <p>* La norme Wi-Fi 6E 6 GHz peut dépendre des réglementations de chaque pays et sera disponible dans Windows 10 21H1.</p> <p>** La norme Bluetooth 5.2 sera disponible dans Windows 10 21H1.</p>

Suite du tableau sur la page suivante

Suite du tableau sur la page précédente

<b>Connecteurs internes</b>	<ul style="list-style-type: none"><li>• 1 x connecteur d'alimentation principal ATX à 24 broches</li><li>• 1 x connecteur d'alimentation ATX 12 V à 8 broches</li><li>• 1 x connecteur d'alimentation ATX 12 V à 4 broches</li><li>• 1 x connecteur d'alimentation PCIE à 6 broches</li><li>• 6 x connecteurs SATA 6 Gb/s</li><li>• 3 x slots M.2 (Touche M)</li><li>• 1 x port USB 3.2 Gen 2 10 Gb/s Type-C</li><li>• 1 x connecteur USB 3.2 Gen 1 5 Gb/s (support de 2 autres ports USB 3.2 Gen 1 5 Gb/s)</li><li>• 2 x connecteurs USB 2.0 (support de 4 autres ports USB 2.0)</li><li>• 1 x connecteur de ventilateur CPU à 4 broches</li><li>• 1 x connecteur de ventilateur à 4 broches pour la pompe à eau</li><li>• 5 x connecteurs de ventilateur système à 4 broches</li><li>• 1 x connecteur audio avant</li><li>• 2 x connecteurs de panneau système</li><li>• 1 x connecteur intrusion châssis</li><li>• 1 x cavalier Clear CMOS</li><li>• 1 x connecteur de module TPM</li><li>• 1 x connecteur TBT (support RTD3)</li><li>• 1 x connecteur du contrôleur de réglages</li></ul>
<b>Fonctions LED</b>	<ul style="list-style-type: none"><li>• 1 x interrupteur de commande EZ LED</li><li>• 2 x connecteurs LED RGB à 4 broches</li><li>• 2 x connecteurs LED RAINBOW à 3 broches</li><li>• 4 x EZ Debug LED</li></ul>

Suite du tableau sur la page suivante

Suite du tableau sur la page précédente

<b>Connecteurs sur le panneau arrière</b>	<ul style="list-style-type: none"> <li>• 4 x ports USB 2.0 Type-A</li> <li>• 1 x DisplayPort</li> <li>• 1 x port HDMI</li> <li>• 4 x ports USB 3.2 Gen 1 5 Gb/s Type-A</li> <li>• 1 x port USB 3.2 Gen 2x2 20 Gb/s Type-C</li> <li>• 1 x port 2,5 G LAN (RJ45)</li> <li>• 1 x port 1 G LAN (RJ45) (Uniquement pour MAG B560 TORPEDO)</li> <li>• 2 x connecteurs d'antenne Wi-Fi (Uniquement pour MAG B560 TOMAHAWK WIFI)</li> <li>• 5 x jacks audio</li> <li>• 1 x connecteur sortie S/PDIF optique</li> </ul>
<b>Contrôleur E/S</b>	Contrôleur NUVOTON NCT6687-R
<b>Moniteur système</b>	<ul style="list-style-type: none"> <li>• Détection de la température du CPU, du système et du Chipset</li> <li>• Détection de la vitesse du ventilateur du CPU, du système et du ventilateur de pompe</li> <li>• Contrôle de la vitesse du ventilateur du CPU, du système et du ventilateur de pompe</li> </ul>
<b>Dimensions</b>	<ul style="list-style-type: none"> <li>• Format ATX</li> <li>• 30,5 cm x 24,4 cm (12" x 9,6")</li> </ul>
<b>Fonctions BIOS</b>	<ul style="list-style-type: none"> <li>• 1 x flash 256 Mb</li> <li>• UEFI AMI BIOS</li> <li>• ACPI 6.2, SMBIOS 3.0</li> <li>• Multilingue</li> </ul>
<b>Logiciel</b>	<ul style="list-style-type: none"> <li>• Pilotes</li> <li>• MSI Center</li> <li>• MSI APP Player (BlueStacks)</li> <li>• Open Broadcaster Software (OBS)</li> <li>• CPU-Z MSI GAMING</li> <li>• Intel® Extreme Tuning Utility</li> <li>• Google Chrome™, Google Toolbar, Google Drive</li> <li>• Norton™ Internet Security Solution</li> </ul>

Suite du tableau sur la page suivante

Suite du tableau sur la page précédente

<b>Fonctions MSI Center</b>	<ul style="list-style-type: none"><li>• MSI Sound Tune</li><li>• Gaming Mode</li><li>• Creator Mode</li><li>• Game Highlights</li><li>• LAN Manager</li><li>• Mystic Light</li><li>• Ambient Link</li><li>• Frozr AI Cooling</li><li>• User Scenario</li><li>• True Color</li><li>• Live Update</li><li>• Monitor</li><li>• Super Charger</li><li>• Speed Up</li></ul>
<b>Fonctions spéciales</b>	<ul style="list-style-type: none"><li>• Audio<ul style="list-style-type: none"><li>▪ Audio Boost</li><li>▪ Sound Tune</li></ul></li><li>• Network<ul style="list-style-type: none"><li>▪ 2,5 G LAN</li><li>▪ LAN Manager</li><li>▪ Intel Wi-Fi AX210 (Uniquement pour MAG B560 TOMAHAWK WIFI)</li></ul></li><li>• Cooling<ul style="list-style-type: none"><li>▪ All Aluminum Design</li><li>▪ Extended Heatsink Design</li><li>▪ M.2 Shield Frozr</li><li>▪ K7 thermal pad</li><li>▪ Choke pad</li><li>▪ Pump Fan</li><li>▪ Smart Fan Control</li></ul></li></ul>

Suite du tableau sur la page suivante

Suite du tableau sur la page précédente

## Fonctions spéciales

- LED
  - Mystic Light
  - Mystic Light Extension (RAINBOW/RGB)
  - Mystic Light SYNC
  - Ambient Link (Uniquement pour MAG B560 TOMAHAWK WIFI)
  - EZ LED Control
  - EZ DEBUG LED
- Performance
  - Lightning Gen 4 PCI-E Slot
  - Lightning Gen 4 M.2
  - Technologie Multi GPU-CrossFire
  - DDR4 Boost
  - Core Boost
  - OC Engine
  - Lightning USB 20 G
  - USB 3.2 Gen 2 10 G
  - USB de Type A+C
  - Front USB Type-C
  - Dual CPU Power
  - SUPPLEMENTAL PCIE POWER CONNECTOR
  - 2oz Copper thickened PCB
- Protection
  - PCI-E Steel Armor
  - Pre-installed I/O Shielding
- Expérience
  - MSI Center
  - Click BIOS 5
  - CPU Cooler Tuning

# Contenu

Vérifiez tous les articles dans le carton d'emballage de votre carte mère. L'emballage doit contenir :

<b>Carte mère</b>	MAG B560 TOMAHAWK WIFI / MAG B560 TORPEDO	
<b>Documentation</b>	Manuel d'utilisation	1
	Guide d'installation rapide	1
	Carte de membre du programme de récompenses MSI	1
<b>Application</b>	DVD de pilotes	1
<b>Câble</b>	Câble SATA 6 Gb/s (2 câbles/paquet)	1
<b>Accessoires</b>	Antenne Wi-Fi (Uniquement pour MAG B560 TOMAHAWK WIFI)	1
	Insigne pour châssis	1
	Vis M.2 + Entretoise (2 ensembles/paquet)	1
	Vis M.2 + Entretoise (1 ensemble/paquet)	1
	Autocollant MAG	1
	Carte d'enregistrement de produit	1



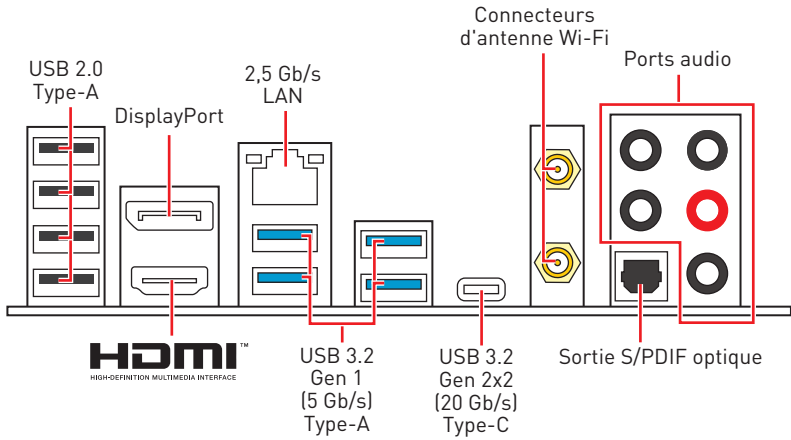
## **Important**

*Veillez contacter votre revendeur si un des éléments ci-dessus est endommagé ou manquant.*

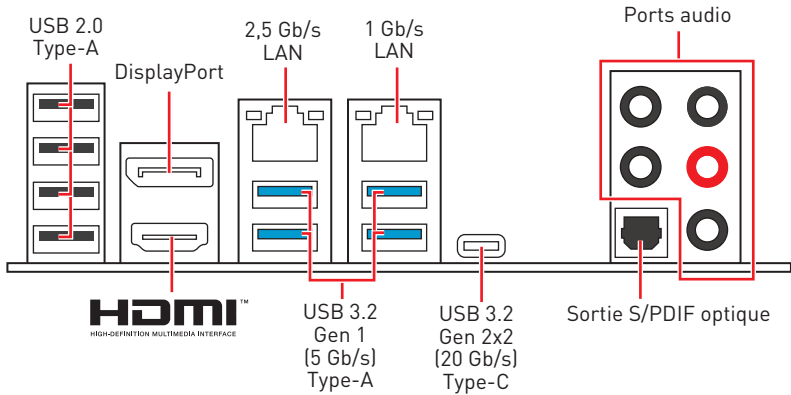


# Panneau arrière Entrée/Sortie

## • MAG B560 TOMAHAWK WIFI

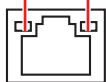


## • MAG B560 TORPEDO



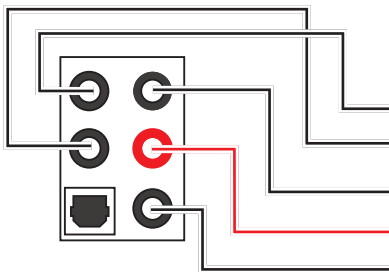
## Tableau explicatif de l'état de la LED du port LAN

LED indiquant la connexion et l'activité	
État	Description
Éteint	Pas de connexion
Jaune	Connexion correcte
Clignote	Activité en cours



LED indiquant la vitesse	
État	Description
Éteint	10 Mb/s
Vert	100 / 1000 Mb/s
Orange	1 / 2,5 Gb/s

## Configuration des ports audio



Ports audio	Canal			
	2	4	6	8
Sortie centre / Caisson de basse			●	●
Sortie audio haut-parleur arrière		●	●	●
Entrée Ligne / Sortie audio haut-parleur côté				●
Sortie Ligne / Sortie casque avant	●	●	●	●
Entrée Microphone				

(● : connecté, Espace : vide)

## Realtek Audio Console

Après l'installation de Realtek Audio Console, vous pouvez l'utiliser pour modifier les paramètres de son afin d'obtenir une meilleure expérience sonore.

Amélioration d'application

Sélection du périphérique

Paramètres du connecteur

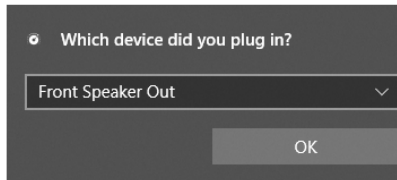
État des prises Jack

Volume principal

- **Sélection du périphérique** - vous permet de sélectionner une source de sortie audio pour en modifier les paramètres. Le symbole de coche indique le périphérique sélectionné par défaut.
- **Amélioration d'application** - les diverses options vous fournissent un guide complet des effets acoustiques proposés pour les périphériques de sortie et d'entrée.
- **Volume principal** - contrôle le volume ou équilibre le son gauche/droite des haut-parleurs branchés sur le panneau avant ou derrière en ajustant la barre de volume.
- **État des prises Jack** - présente tous les périphériques de diffusion et de capture connectés à votre ordinateur.
- **Paramètres du connecteur** - configure les paramètres de connexion.

## Auto popup dialog

Lorsqu'un périphérique est branché sur une prise audio, une fenêtre de dialogue apparaît et vous demande de choisir le périphérique connecté que vous souhaitez utiliser.



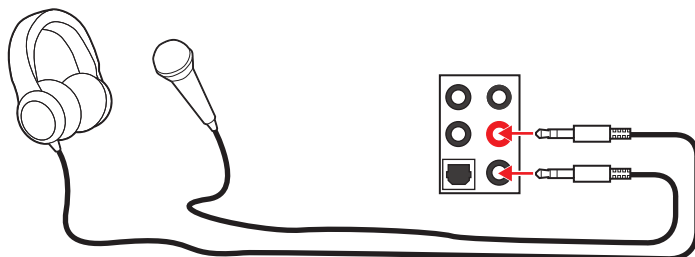
Chaque jack est réglé avec ses paramètres par défaut comme indiqué sur la page suivante.



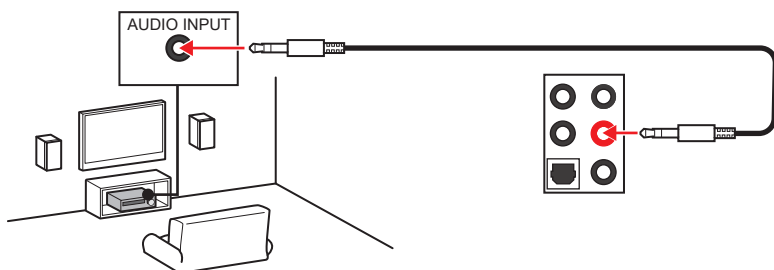
### **Important**

*Les photos ci-dessus ne sont données qu'à titre de référence et peuvent varier selon le produit que vous avez acheté.*

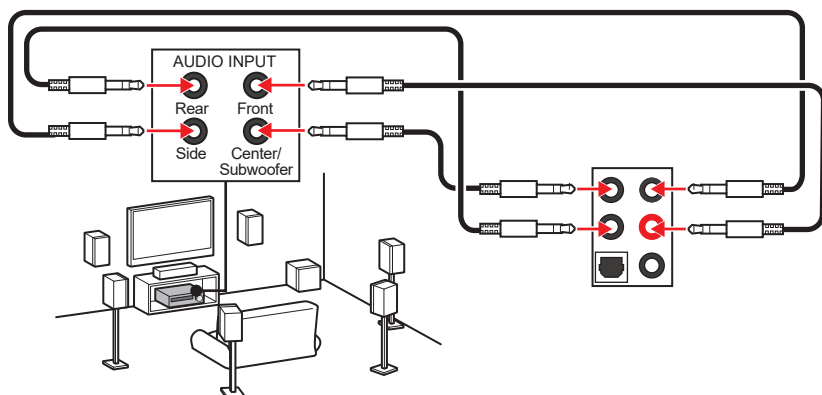
## Illustration de l'utilisation des ports audio dédiés au casque et au microphone



## Illustration de l'utilisation du port audio dédié aux haut-parleurs

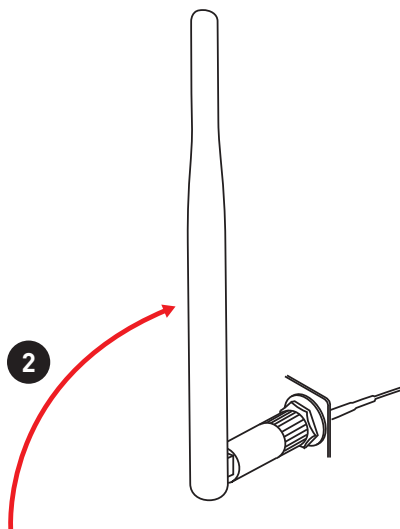
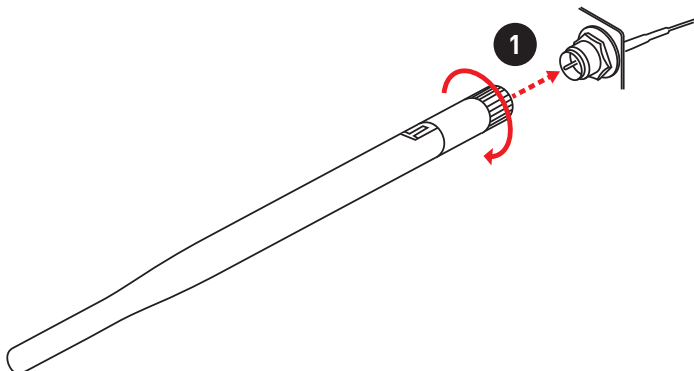


## Illustration de l'utilisation des ports audio dédiés aux haut-parleurs 7.1

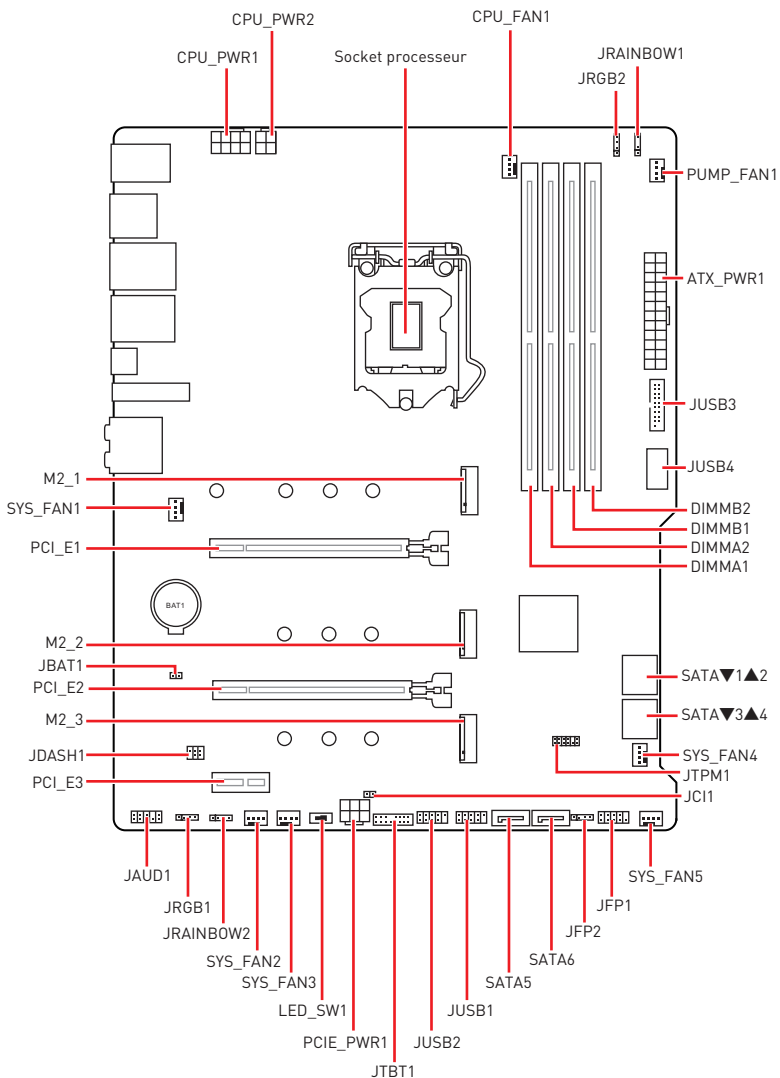


## Installation des antennes

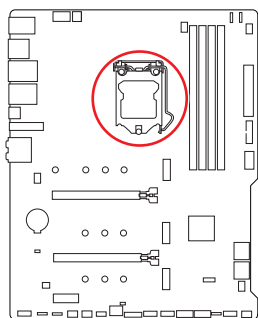
1. Vissez fermement les antennes aux connecteurs dédiés, comme illustré ici.
2. Orientez les antennes.



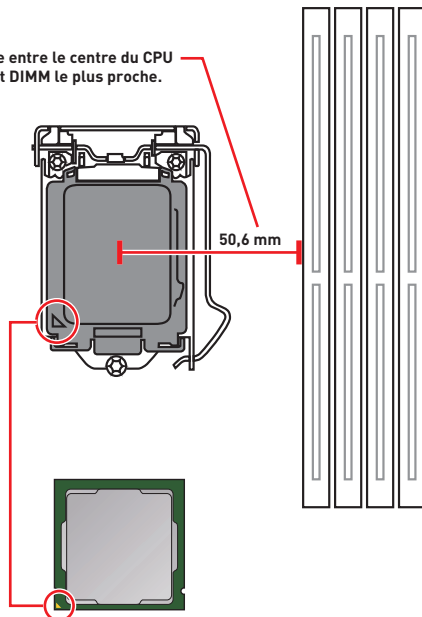
# Vue d'ensemble des composants



## Socket Processeur



Distance entre le centre du CPU et le slot DIMM le plus proche.



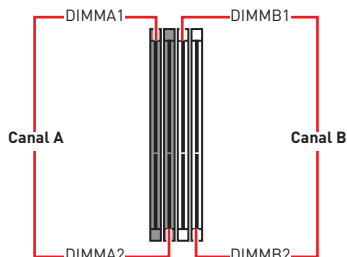
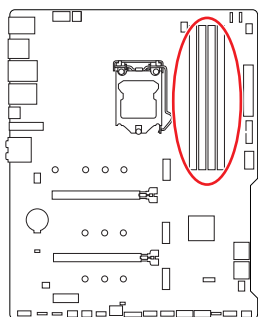
### Présentation du socket LGA1200

Sur le socket LGA1200, vous remarquerez deux **encoches** et un **triangle doré** servant d'indicateurs pour placer le processeur dans la bonne position. Le triangle doré correspond à la broche 1 du processeur.

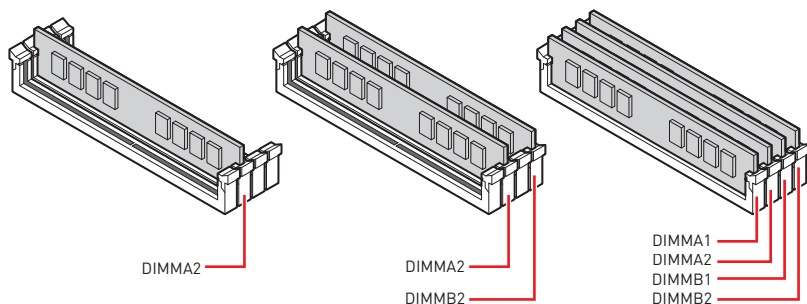
#### Important

- Avant d'installer ou de retirer le processeur du socket, veillez à toujours débrancher le câble d'alimentation de la prise électrique.
- Veuillez garder le capot de protection du processeur après l'installation du processeur. Selon les exigences de RMA (Return Merchandise Authorization), MSI n'acceptera pas les cartes mère dont le capot de protection aura été retiré.
- Lors de l'installation d'un processeur, n'oubliez pas d'installer un ventilateur pour processeur. Un ventilateur de processeur est nécessaire pour protéger le processeur contre la surchauffe et maintenir la stabilité du système.
- Assurez-vous de l'étanchéité entre le ventilateur et le processeur avant de démarrer votre système.
- La surchauffe peut facilement endommager le processeur et la carte mère. Assurez-vous toujours que le système de refroidissement fonctionne correctement pour protéger le processeur de la surchauffe. Assurez-vous d'appliquer une couche de pâte thermique (ou adhésif thermique) entre le processeur et le système de refroidissement afin d'améliorer la dissipation de la chaleur.
- Quand le processeur n'est pas installé, protégez toujours les broches de l'emplacement du processeur avec le couvercle dédié.
- Si vous avez acheté un processeur indépendamment du ventilateur, veuillez vous référer à la documentation dans le paquet du ventilateur pour plus d'informations concernant l'installation.
- Cette carte mère supporte l'overclocking. Néanmoins, veuillez vous assurer que vos composants soient capables de tolérer l'overclocking. Prenez note que l'utilisation au-delà des spécifications du constructeur n'est pas recommandée. MSI® ne garantit pas les dommages et risques causés par les utilisations non prévues dans les spécifications du produit.

## Slots DIMM



### Installation recommandée de module mémoire

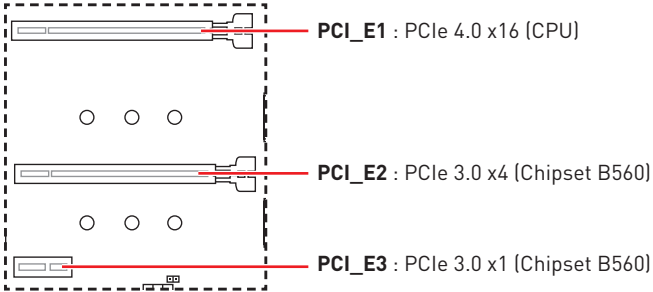


### Important

- Veillez à toujours insérer un module de mémoire dans l'emplacement **DIMMA2** en premier.
- Pour garantir la stabilité du système au mode de double canal, assurez-vous d'installer les modules de mémoire du même type, du même nombre et de la même densité.
- Certaines mémoires peuvent fonctionner à une fréquence réduite par rapport à la valeur indiquée lors de l'overclocking car la fréquence d'opération de mémoire dépend du Serial Presence Detect (SPD). Rendez-vous sur le BIOS et choisissez la fonction **DRAM Frequency** pour régler la fréquence de mémoire si vous voulez faire fonctionner la mémoire à la fréquence indiquée ou à une fréquence plus élevée.
- Il est recommandé d'utiliser un système de refroidissement qui sera capable de refroidir toutes les barrettes mémoire et d'offrir de bonnes performances lors d'un overclocking.
- La stabilité et la compatibilité du module de mémoire lors de l'overclocking dépendent du processeur et des périphériques installés.
- Veuillez vous référer au site [www.msi.com](http://www.msi.com) pour plus d'informations sur la mémoire compatible.



## PCI\_E1~3 : Slots d'extension PCIe

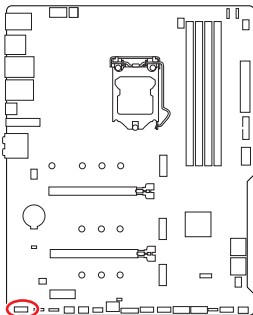


### Important

- Si vous installez une carte graphique lourde, il vous faut utiliser un outil comme la **barre de support MSI** pour supporter son poids et pour éviter la déformation du slot.
- Si vous choisissez d'installer une seule carte d'extension PCIe x16, nous vous recommandons d'utiliser le slot **PCI\_E1** pour profiter de performances optimales.
- Veillez à toujours mettre l'ordinateur hors tension et à débrancher le cordon d'alimentation avant d'installer les cartes d'extension. Référez-vous à la documentation des cartes pour vérifier si un composant ou un logiciel doit être modifié.

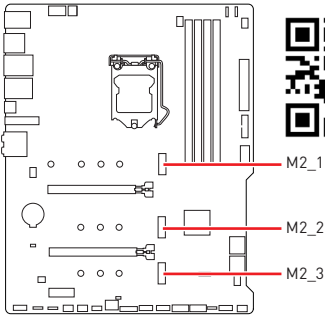
## JAUD1 : Connecteur audio avant

Ce connecteur se lie aux jacks audio du panneau avant.



1	MIC L	2	Ground
3	MIC R	4	NC
5	Head Phone R	6	MIC Detection
7	SENSE_SEND	8	No Pin
9	Head Phone L	10	Head Phone Detection

## M2\_1~3 : Slots M.2 (Touche M)



### Vidéo de démonstration

Référez-vous à la vidéo d'installation du SSD M.2.

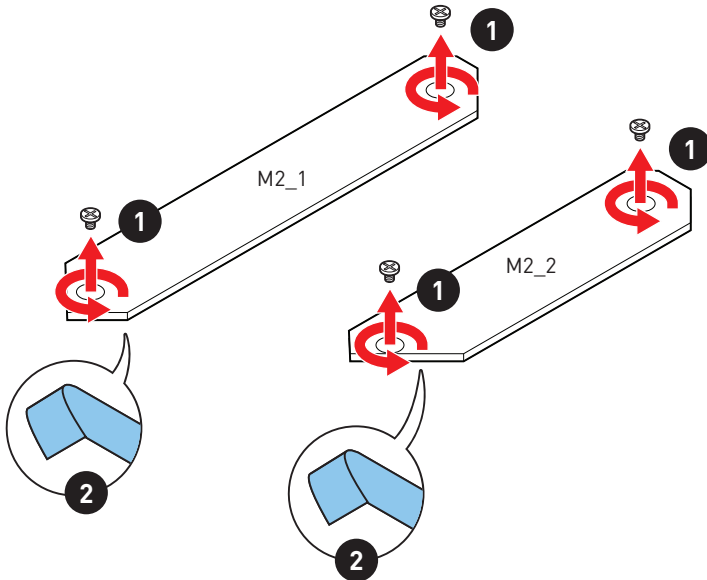
<https://youtu.be/2UeWMgjwogU>

### Important

- La technologie Intel® RST supporte seulement un SSD M.2 PCIe avec une mémoire ROM UEFI.
- Intel® Optane™ Memory Ready pour le slot M2\_3 uniquement.

### Installation du module M.2

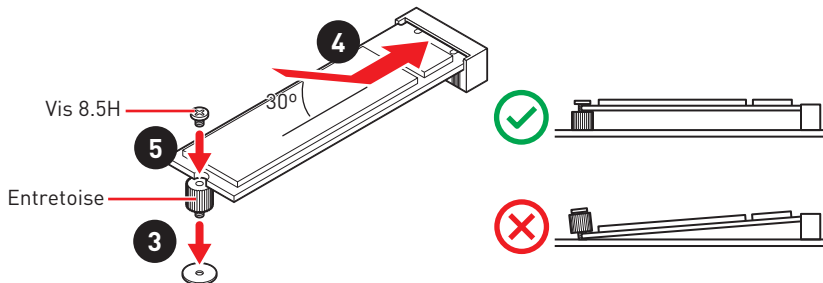
1. Desserrez les vis de la plaque M.2 SHIELD FROZR.
2. Retirez la plaque M.2 SHIELD FROZR et retirez le film de protection du pad thermique.



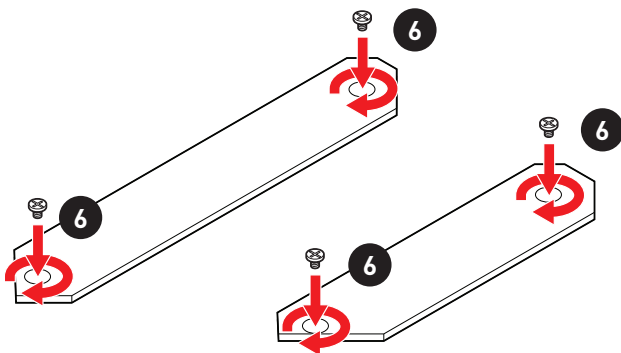
- Fixez l'entretoise M.2 fourni de manière à l'adapter à la longueur du SSD M.2.
- Insérez votre SSD M.2 dans le slot M.2 à un angle de 30 degrés.
- Fixez le SSD M.2 avec la vis M.2 8.5H fournie.

**!** **Important**

- La plaque M.2 SHIELD FROZR pour le slot M2\_1 est seulement disponible sur la carte mère MAG B560 TOMAHAWK WIFI.
- Si vous installez un SSD M.2 22110 dans le slot M2\_1 ou un SSD M.2 2280 dans le slot M2\_2, veuillez ignorer les étapes 3 et 5.

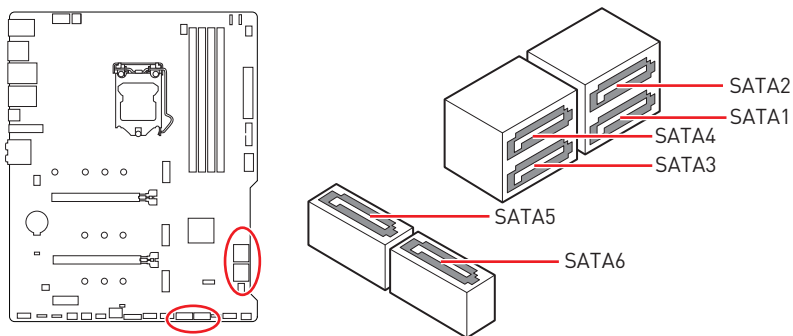


- Remettez la plaque M.2 SHIELD FROZR en place et fixez-la.



## SATA1~6 : Connecteurs SATA 6 Gb/s

Ces connecteurs utilisent une interface SATA 6 Gb/s. Chaque connecteur peut être relié à un appareil SATA.



### Important

- Veuillez ne pas plier les câbles SATA à 90° car cela pourrait entraîner une perte de données pendant la transmission.
- Les câbles SATA disposent de prises identiques sur chaque côté. Néanmoins, il est recommandé de connecter la prise plate sur la carte mère pour un gain d'espace.
- Le connecteur SATA1 est indisponible lorsqu'un SSD M.2 SATA est installé dans le slot M2\_2.

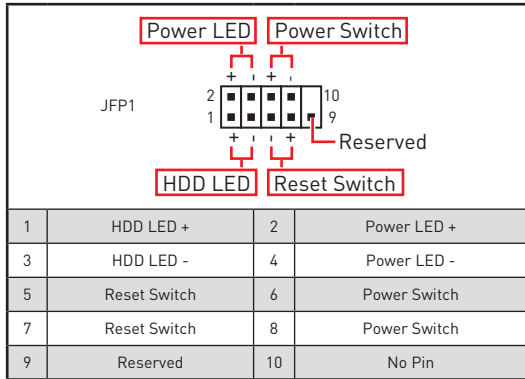
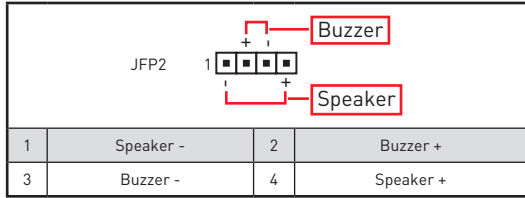
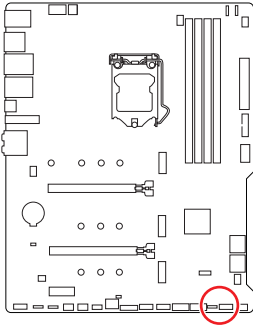
### Tableau de combinaison M.2 et SATA

Slot	Connecteurs SATA disponibles	
M2_1	PCIe (Le slot M2_1 est seulement disponible sur les processeurs Intel® de 11ème génération)	
M2_2	PCIe	SATA
M2_3	PCIe (Le slot M2_3 ne supporte pas SATA)	
SATA1	✓	—
SATA2	✓	✓
SATA3	✓	✓
SATA4	✓	✓
SATA5	✓	✓
SATA6	✓	✓

[SATA : SSD M.2 SATA , PCIe : SSD M.2 PCIe, ✓ : disponible, — : indisponible]

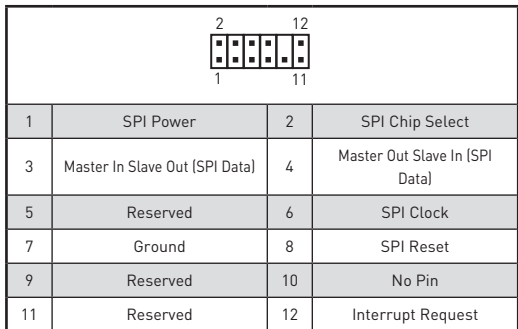
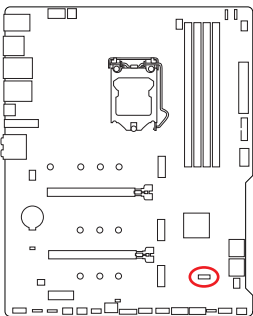
## JFP1, JFP2 : Connecteurs de panneau avant

Ces connecteurs se lient aux interrupteurs et indicateurs LED du panneau avant.



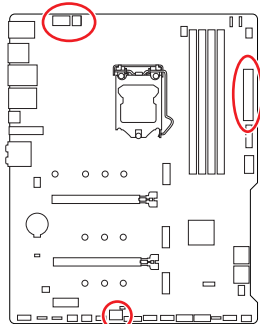
## JTPM1 : Connecteur de module TPM

Ce connecteur est relié à un module TPM (Trusted Platform Module). Veuillez vous référer au manuel du module TPM pour plus d'informations.



## CPU\_PWR1~2, ATX\_PWR1, PCIE\_PWR1 : Connecteurs d'alimentation

Ces connecteurs vous permettent de relier une alimentation ATX.



1	Ground	5	+12V
2	Ground	6	+12V
3	Ground	7	+12V
4	Ground	8	+12V

1	Ground	3	+12V
2	Ground	4	+12V

1	+3.3V	13	+3.3V
2	+3.3V	14	-12V
3	Ground	15	Ground
4	+5V	16	PS-ON#
5	Ground	17	Ground
6	+5V	18	Ground
7	Ground	19	Ground
8	PWR OK	20	Res
9	5VSB	21	+5V
10	+12V	22	+5V
11	+12V	23	+5V
12	+3.3V	24	Ground

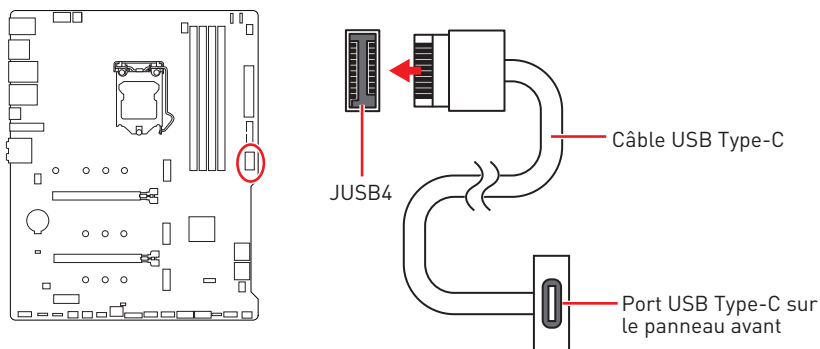
1	+12V	4	Ground
2	+12V	5	Ground
3	+12V	6	Ground

### Important

Veillez vous assurer que tous les câbles d'alimentation sont branchés aux connecteurs adéquats afin garantir une opération stable de la carte mère.

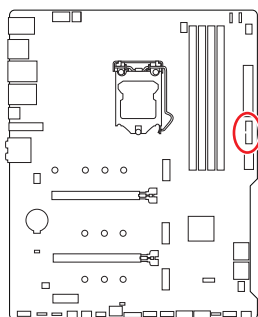
## JUSB4 : Connecteur USB 3.2 Gen 2 Type-C

Ce connecteur vous permet de relier un connecteur USB 3.2 Gen 2 Type-C sur le panneau avant. Pour plus de sécurité, ce connecteur a été conçu pour offrir une excellente robustesse. Quand vous connectez le câble, assurez-vous de le brancher dans le bon sens.



## JUSB3 : Connecteur USB 3.2 Gen 1

Ce connecteur vous permet de relier un port USB 3.2 Gen 1 5 Gb/s sur le panneau avant.



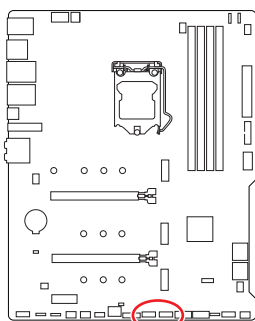
		10		11	
		1		20	
1	Power	11	USB2.0+		
2	USB3_RX_DN	12	USB2.0-		
3	USB3_RX_DP	13	Ground		
4	Ground	14	USB3_TX_C_DP		
5	USB3_TX_C_DN	15	USB3_TX_C_DN		
6	USB3_TX_C_DP	16	Ground		
7	Ground	17	USB3_RX_DP		
8	USB2.0-	18	USB3_RX_DN		
9	USB2.0+	19	Power		
10	Ground	20	No Pin		

### Important

Notez que les câbles d'alimentation et de terre doivent être branchés correctement afin d'éviter d'endommager la carte.

## JUSB1~2 : Connecteurs USB 2.0

Ces connecteurs vous permettent de relier des ports USB 2.0 sur le panneau avant.



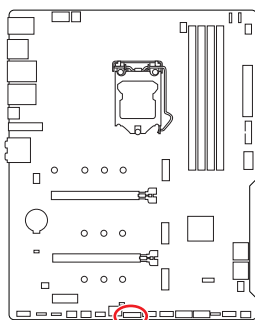
1	VCC	2	VCC
3	USB0-	4	USB1-
5	USB0+	6	USB1+
7	Ground	8	Ground
9	No Pin	10	NC

### Important

- Notez que les broches VCC et Terre doivent être branchées correctement afin d'éviter tout dommage sur la carte mère.
- Pour recharger votre iPad, iPhone et iPod par l'intermédiaire d'un port USB, veuillez installer l'utilitaire MSI® Center.

## JTBT1 : Connecteur de carte additionnelle Thunderbolt

Ce connecteur vous permet de relier une carte additionnelle Thunderbolt E/S.

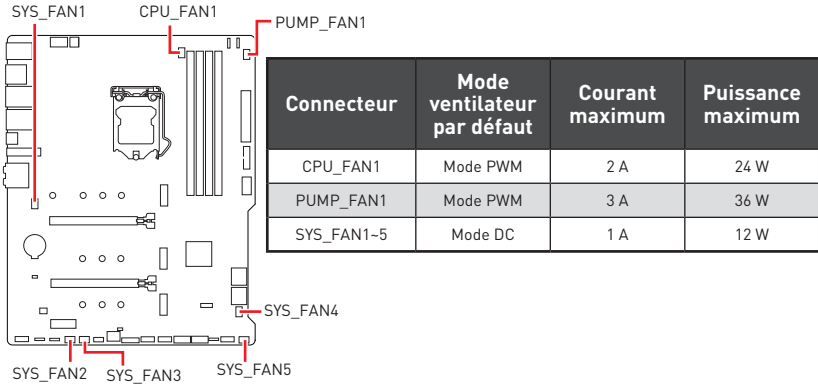


1	TBT_FORCE_PWR	2	TBT_S0IX_ENTRY_REQ
3	TBT_CIO_PLUG_EVENT#	4	TBT_S0IX_ENTRY_ACK
5	SLP_S3#_TBT	6	TBT_PSON_OVERRIDE_N
7	SLP_S5#_TBT	8	No Pin
9	Ground	10	SMBCLK_VSB
11	DG_PEWAKE#	12	SMBDATA_VSB
13	TBT_RTD3_PWR_EN	14	Ground
15	TBT_CARD_DET_R#	16	PD_IRQ#



## CPU\_FAN1, PUMP\_FAN1, SYS\_FAN1~5 : Connecteurs de ventilateur

Les connecteurs de ventilateur peuvent être utilisés en mode PWM (Pulse Width Modulation) et en mode DC. En mode PWM, les connecteurs fournissent une sortie de 12 V constante et ajustent la vitesse du ventilateur avec un signal de contrôle de vitesse. En mode DC, les connecteurs contrôlent la vitesse du ventilateur en modifiant la tension. Le mode automatique détectera automatiquement le type de ventilateur utilisé. Cependant, vous pouvez suivre les instructions ci-dessous pour régler le connecteur de ventilateur en mode PWM ou mode DC.



### Basculer entre les modes des ventilateurs et ajuster la vitesse

Vous pouvez alterner entre le mode PWM et le mode DC et ajuster la vitesse des ventilateurs dans **BIOS > HARDWARE MONITOR**.

Choisissez le mode **PWM** ou le mode **DC**





Il y a des points de gradient de la vitesse du ventilateur qui vous permet d'ajuster la vitesse du ventilateur par rapport à la température du processeur.



*Veillez vous assurer que les ventilateurs fonctionnent correctement après avoir basculé entre les modes PWM et DC.*

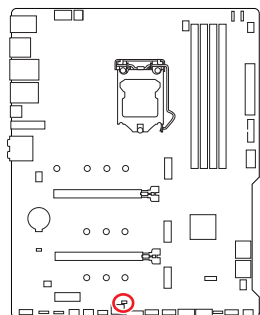
### Définition des broches des connecteurs de ventilateur

1  Définition des broches en mode PWM			
1	Ground	2	+12V
3	Sense	4	Speed Control Signal

1  Définition des broches en mode DC			
1	Ground	2	Voltage Control
3	Sense	4	NC

## JCI1 : Connecteur intrusion châssis

Ce connecteur est relié à un câble d'interrupteur intrusion châssis.



Normal  
(défaut)



Commencer l'activité  
intrusion châssis

### Utilisation du détecteur d'intrusion châssis

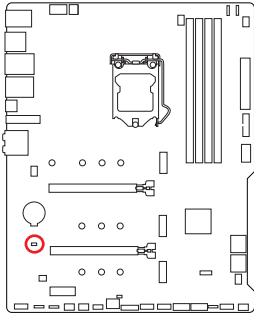
1. Reliez le connecteur **JCI1** à l'interrupteur ou au capteur d'intrusion châssis situé sur le boîtier du PC.
2. Fermez le couvercle du boîtier.
3. Allez dans **BIOS > SETTINGS (Réglages) > Security (Sécurité) > Chassis Intrusion Configuration (Configuration intrusion châssis)**.
4. Réglez **Chassis Intrusion (intrusion châssis)** sur **Enabled (Activé)**.
5. Appuyez sur **F10** pour sauvegarder et quitter. Ensuite appuyez sur la touche **Enter (Entrée)** pour choisir **Yes (Oui)**.
6. Désormais, si le boîtier du PC est ouvert quand l'ordinateur est allumé, vous recevrez un message d'alerte à l'écran.

### Réinitialisation de l'alerte intrusion châssis

1. Allez dans **BIOS > SETTINGS (Réglages) > Security (Sécurité) > Chassis Intrusion Configuration (Configuration intrusion châssis)**.
2. Mettez **Chassis Intrusion (Intrusion châssis)** en **Reset (Remettre)**.
3. Appuyez sur **F10** pour sauvegarder et quitter. Ensuite appuyez sur la touche **Enter (Entrée)** pour choisir **Yes (Oui)**.

## JBAT1 : Cavalier Clear CMOS (Réinitialiser le BIOS)

Une mémoire CMOS est intégrée et est alimentée en externe par une batterie située sur la carte mère afin de conserver les données de configuration système. Si vous souhaitez nettoyer la configuration système, placez le cavalier sur Effacer CMOS de manière à nettoyer la mémoire CMOS.



Conserv  
les données  
(défaut)



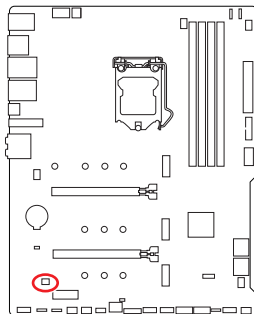
Effacer le CMOS/  
Réinitialiser le BIOS

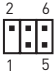
### Réinitialiser le BIOS aux valeurs par défaut

1. Éteignez l'ordinateur et débranchez le câble d'alimentation de la prise électrique.
2. Utilisez un couvercle de cavalier pour fermer **JBAT1** pendant 5 à 10 secondes.
3. Enlevez le couvercle de cavalier du **JBAT1**.
4. Branchez de nouveau le câble d'alimentation à votre ordinateur et allumez-le.

## JDASH1 : Connecteur du contrôleur de réglage

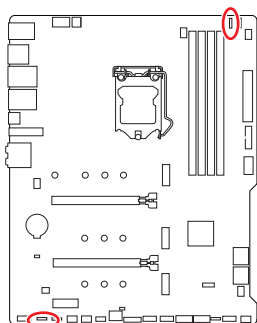
Ce connecteur est utilisé pour connecter un contrôleur de réglage (selon modèle).



			
1	No Pin	2	NC
3	MCU_SMB_SCL_M	4	MCU_SMB_SDA_M
5	VCC5	6	Ground

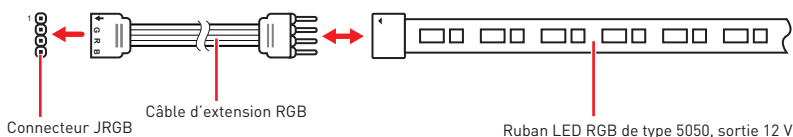
## JRGB1~2 : Connecteurs LED RGB

Le connecteur JRGB vous permet de connecter un ruban LED RGB de type 5050 12 V.

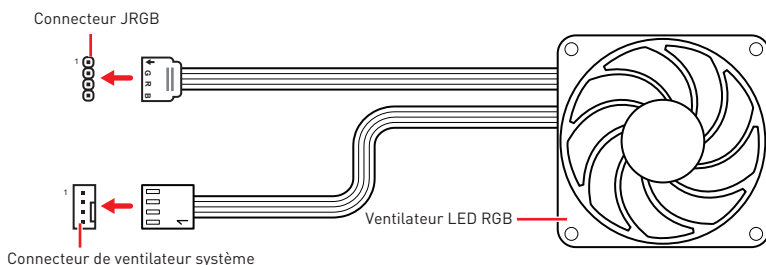


1			
1	+12V	2	G
3	R	4	B

### Connexion du ruban LED RGB



### Connexion du ventilateur LED RGB

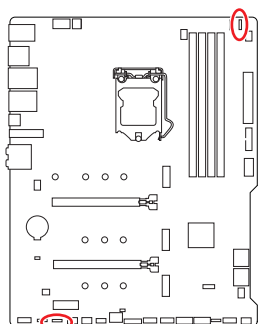


### Important

- Le connecteur JRGB supporte des rubans LED RGB (12 V/G/R/B) de type 5050 d'une longueur de 2 mètres maximum avec une puissance nominale maximale de 3 A (12 V).
- Avant d'installer ou de retirer le ruban LED RGB, veuillez à toujours éteindre l'alimentation et à débrancher le câble d'alimentation de la prise électrique.
- Veuillez utiliser un logiciel MSI dédié pour contrôler le ruban d'extension LED.

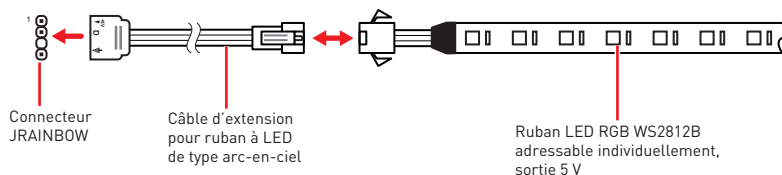
## JRAINBOW1~2 : Connecteurs LED RGB adressables

Le connecteur JRAINBOW vous permet de connecter un ruban à LED RGB WS2812B adressable individuellement 5 V.

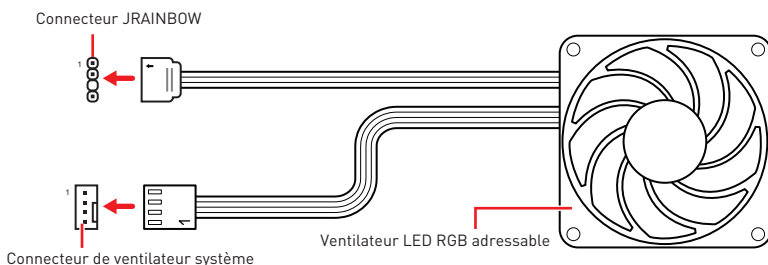


1			
1	+5V	2	Data
3	No Pin	4	Ground

### Connexion du ruban LED RGB adressable



### Connexion du ventilateur LED RGB adressable



### ⚠ Attention

Faites attention à bien connecter le bon type de ruban LED. Le connecteur JRGB et le connecteur JRAINBOW fournissent des tensions différentes. La connexion d'un ruban LED 5 V au connecteur JRGB peut endommager le ruban.

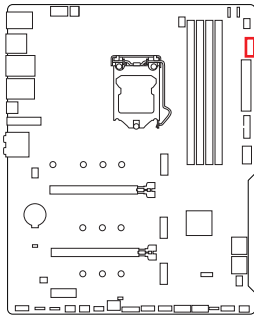
### ⚠ Important

- Le connecteur JRAINBOW supporte jusqu'à des rubans 75 LEDs WS2812B adressables individuellement (5 V/Data/Ground) avec une puissance nominale maximale de 3 A (5 V). Dans le cas d'une luminosité de 20 %, le connecteur supporte jusqu'à 200 LED.
- Avant d'installer ou de retirer le ruban LED, veillez à toujours éteindre l'alimentation et à débrancher le câble d'alimentation de la prise électrique.
- Veuillez utiliser un logiciel MSI dédié pour contrôler le ruban d'extension LED.

# Indicateurs LED embarqués

## EZ Debug LED

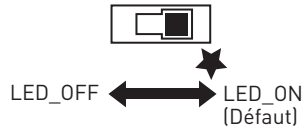
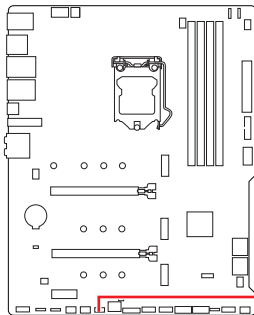
Ces LEDs indiquent l'état de débogage de la carte mère.



- CPU** - indique que le CPU n'est pas détecté ou que son initialisation a échoué.
- DRAM** - indique que la mémoire DRAM n'est pas détectée ou que son initialisation a échoué.
- VGA** - indique que le GPU n'est pas détecté ou que son initialisation a échoué.
- BOOT** - indique que le périphérique de démarrage n'est pas détecté ou que son initialisation a échoué.

## LED\_SW1 : Contrôle EZ LED

Cet interrupteur est utilisé pour allumer et éteindre toutes les LED de la carte mère.



# Installer OS, Pilotes et MSI Center

Veillez vous référer au site [www.msi.com](http://www.msi.com) pour télécharger et mettre à jour les derniers utilitaires et pilotes.

## Installer Windows® 10

1. Allumez l'ordinateur.
2. Insérez le disque ou la clé USB d'installation de Windows® 10 dans votre ordinateur.
3. Appuyez sur le bouton **Redémarrer (Restart)** du boîtier de l'ordinateur.
4. Appuyez sur la touche **F11** pendant le POST (Power-On Self Test) du système pour entrer dans le menu de démarrage.
5. Choisissez le disque ou la clé USB d'installation de Windows® 10 dans le menu de démarrage.
6. Appuyez sur n'importe quelle touche lorsqu'apparaît le message **[Appuyez sur n'importe quelle touche pour démarrer du CD ou du DVD] (Press any key to boot from CD or DVD)**.
7. Suivez les instructions à l'écran pour installer Windows® 10.

## Installer les pilotes

1. Allumez l'ordinateur sous Windows® 10.
2. Insérez la clé USB MSI® dans le port USB.
3. Cliquez sur la fenêtre popup **Choisir quoi faire avec ce disque (Select to choose what happens with this disc)**, puis choisissez **Lancer DVDSetup.exe (Run DVDSetup.exe)** pour ouvrir l'outil d'installation. Si vous désactivez la fonction AutoPlay dans le panneau de configuration Windows, vous pouvez quand même exécuter manuellement **DVDSetup.exe** à partir du chemin d'accès depuis la racine de la clé USB MSI.
4. L'outil d'installation trouvera et listera tous les pilotes dont vous avez besoin dans l'onglet **Pilotes/Logiciels (Drivers/Software)**.
5. Cliquez sur le bouton **Installer (Install)** dans le coin inférieur droit de la fenêtre.
6. L'installation des pilotes commence. Une fois terminée, il vous sera demandé de redémarrer.
7. Cliquez sur le bouton **OK** pour terminer.
8. Redémarrez votre ordinateur.

## MSI Center

MSI Center est une application qui vous aide à optimiser facilement les paramètres de jeu et à utiliser les logiciels de création de contenu de manière intuitive. Elle vous permet également de contrôler et de synchroniser les effets de lumière LED sur les PC et autres produits MSI. Avec MSI Center, vous pouvez personnaliser les modes selon vos envies, surveiller les performances du système et régler la vitesse du ventilateur.

### Guide d'utilisation de MSI Center



Si vous souhaitez en savoir plus sur MSI Center, veuillez vous référer au fichier

<http://download.msi.com/manual/mb/MSICENTER.pdf>

ou scannez le code QR pour y accéder.



### **Important**

*Les fonctions peuvent varier en fonction du produit que vous possédez.*



# UEFI BIOS

Le BIOS UEFI de MSI est compatible avec l'architecture UEFI (Unified Extensible Firmware Interface). L'infrastructure du firmware du BIOS UEFI présente de nombreuses nouvelles fonctionnalités et avantages que le BIOS traditionnel ne peut pas atteindre. Il supportera complètement les futurs PC et les appareils conformes à l'architecture du firmware UEFI.



## Important

Dans ce guide d'utilisation, le terme BIOS se réfère au BIOS UEFI, sauf indication contraire.

## Avantages de l'UEFI

- Démarrage rapide - L'UEFI peut démarrer directement le système d'exploitation et enregistrer le processus d'autotest du BIOS. Il élimine également le temps à attendre pour passer en mode CSM pendant le POST.
- Prend en charge des partitions de disque dur supérieures à 2 To.
- Prend en charge plus de 4 partitions principales avec une table de partition GUID (GPT).
- Prend en charge un nombre illimité de partitions.
- Prend en charge toutes les capacités de nouveaux appareils - les nouveaux appareils peuvent ne pas fournir de compatibilité descendante.
- Prend en charge le démarrage sécurisé - L'UEFI peut vérifier la validité du système d'exploitation pour s'assurer qu'aucun malware ne perturbe le processus de démarrage.

## Cas d'incompatibilité avec l'UEFI

- **Système d'exploitation Windows 32 bits** - cette carte mère supporte uniquement le système d'exploitation Windows 10 64 bits.
- **Carte graphique ancienne** - le système détectera votre carte graphique. Un message d'avertissement apparaît si **aucun support GOP (Graphics Output Protocol) n'est détecté sur cette carte graphique**.



## Important

Nous vous recommandons de remplacer votre carte graphique par un modèle compatible GOP/UEFI ou d'utiliser la puce graphique intégrée à votre processeur pour profiter d'un fonctionnement normal.

## Comment vérifier le mode BIOS ?

1. Allumez votre ordinateur.
2. Pendant le démarrage, lorsqu'apparaît le message **Press DEL key to enter Setup Menu, F11 to enter Boot Menu** sur l'écran, veuillez appuyer sur la touche **Suppr**.
3. Après être entré dans le BIOS, vous pouvez vérifier le **Mode BIOS** en haut de l'écran.

BIOS Mode: UEFI

## Configuration du BIOS

Les réglages par défaut fournissent une performance optimale pour la stabilité du système en conditions normales. Veuillez à **toujours garder les réglages par défaut** pour éviter d'endommager le système ou tout problème au démarrage, sauf si vous êtes familier avec le BIOS.



### Important

- Le BIOS est constamment mis à jour afin d'offrir de meilleures performances système. Par conséquent, la description peut différer selon la version de BIOS utilisée et n'est donc donnée qu'à titre de référence. Vous pouvez aussi vous référer à l'onglet **Help (Aide)** pour obtenir la description des fonctions du BIOS.
- Les écrans, les options et les paramètres du BIOS peuvent varier selon votre système.

## Entrer dans l'interface Setup du BIOS

Pendant le démarrage, lorsqu'apparaît le message **Press DEL key to enter Setup Menu, F11 to enter Boot Menu** sur l'écran, veuillez appuyer sur la touche **Suppr.**

### Touches de fonction

**F1** : Liste d'aide générale

**F2** : Ajouter ou supprimer un élément favori

**F3** : Entrer dans le menu Favoris

**F4** : Entrer dans le menu de caractéristiques du processeur

**F5** : Entrer dans le menu Memory-Z

**F6** : Charger les réglages par défaut

**F7** : Alternner entre le mode avancé et le mode simplifié

**F8** : Charger le profil d'overclocking

**F9** : Sauvegarder le profil d'overclocking

**F10** : Sauvegarder les modifications et réglages\*

**F12** : Prendre une capture d'écran et la conserver dans la clé USB (au format FAT/FAT32 uniquement)

**Ctrl+F** : Entrer dans la page de recherche

\* Lorsque vous appuyez sur F10, une fenêtre de confirmation apparaît et fournit l'information de modification. Choisissez entre Oui et Non pour confirmer.

## Guide d'utilisation du BIOS



Si vous souhaitez en savoir plus sur la configuration du BIOS, veuillez vous référer au fichier

<http://download.msi.com/manual/mb/Intel500BIOSfr.pdf>

ou scannez le code QR pour y accéder.

## Réinitialiser le BIOS

Il se peut que vous ayez besoin de récupérer les réglages BIOS par défaut pour résoudre des problèmes. Pour réinitialiser les réglages du BIOS, veuillez suivre l'une des méthodes suivantes :

- Allez dans le BIOS et appuyez sur **F6** pour charger les réglages par défaut.
- Court-circuitez le cavalier **Clear CMOS** sur la carte mère.



### Important

Assurez-vous que l'ordinateur est éteint avant d'effacer les données CMOS. Veuillez vous référer à la section cavalier/bouton **Clear CMOS** pour en savoir plus sur la réinitialisation du BIOS.

## Mettre le BIOS à jour

### Mettre le BIOS à jour avec M-FLASH

Avant la mise à jour :

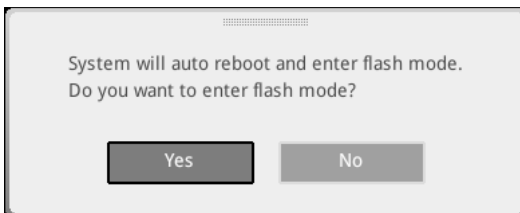
Veillez télécharger la dernière version de BIOS compatible à votre carte mère sur le site MSI. Ensuite, veuillez sauvegarder le nouveau BIOS sur la clé USB.

Mettre le BIOS à jour :

1. Connectez la clé USB contenant le profil au port USB.
2. Veuillez vous référer aux méthodes suivantes pour passer en mode flash.
  - Redémarrez et appuyez sur la touche **Ctrl + F5** pendant le processus de POST et cliquez sur **Yes (Oui)** pour redémarrer le système.

Press <Ctrl+F5> to activate M-Flash for BIOS update.

- Redémarrez et appuyez sur la touche **Del** pendant le processus de POST pour entrer dans l'interface du BIOS. Cliquez le bouton **M-FLASH** et cliquez sur **Yes (Oui)** pour redémarrer le système.



3. Choisissez un profil BIOS pour commencer la mise à jour du BIOS.
4. Lorsque vous y êtes invité, cliquez sur **Yes (Oui)** pour lancer la restauration du BIOS.
5. Une fois la mise à jour terminée, le système redémarrera automatiquement.

## Mettre le BIOS à jour avec MSI Center

Avant la mise à jour :

- Assurez-vous que le lecteur LAN est bien installé et que l'ordinateur est correctement connecté à internet.
- Veuillez désactiver tous les autres logiciels d'application avant de mettre à jour le BIOS.

Mettre le BIOS à jour :

1. Installez et lancez MSI CENTER et accédez à la page **Support**.
2. Choisissez **Live Update** et cliquez sur le bouton **Avancé**.
3. Choisissez le profil BIOS et cliquez sur le bouton **Installer**.
4. Le rappel d'installation apparaît. Cliquez ensuite sur le bouton **Installer**.
5. Le système redémarrera automatiquement pour la mise à jour du BIOS.
6. Une fois la mise à jour terminée, le système redémarrera automatiquement.

# Содержание

<b>Безопасное использование продукции</b> .....	<b>3</b>
Уведомление о стойках для крепления материнской платы .....	4
<b>Технические характеристики</b> .....	<b>5</b>
<b>Комплект поставки</b> .....	<b>12</b>
<b>Задняя панель портов ввода/ вывода</b> .....	<b>13</b>
Таблица состояний индикатора порта LAN .....	14
Конфигурация портов Аудио .....	14
Realtek Audio Console .....	14
<b>Компоненты материнской платы</b> .....	<b>18</b>
Процессорный сокет .....	19
Слоты DIMM .....	20
PCI_E1~3: Слоты расширения PCIe .....	21
JAUD1: Разъем аудио передней панели .....	21
M2_1~3: Разъемы M.2 (Ключ M) .....	22
SATA1~6: Разъемы SATA 6Гб/с .....	24
JFP1, JFP2: Разъемы передней панели .....	25
JTPM1: Разъем модуля TPM .....	25
CPU_PWR1~2, ATX_PWR1, PCIE_PWR1: Разъемы питания .....	26
JUSB4: Разъем USB 3.2 Gen 2 Type-C .....	27
JUSB3: Разъем USB 3.2 Gen 1 .....	27
JUSB1~2: Разъемы USB 2.0 .....	28
JTBT1: Разъем для установки карты расширения Thunderbolt .....	28
CPU_FAN1, PUMP_FAN1, SYS_FAN1~5: Разъемы вентиляторов .....	29
JCI1: Разъем датчика открытия корпуса .....	30
JBAT1: Джемпер очистки данных CMOS (Сброс BIOS) .....	31
JDASH1: Разъем контроллера настройки .....	31
JRGB1~2: Разъемы RGB LED .....	32
JRAINBOW1~2: Разъемы адресных RGB LED .....	33

<b>Встроенные индикаторы.....</b>	<b>34</b>
Индикаторы отладки EZ.....	34
LED_SW1: Переключатель для управления индикаторами EZ.....	34
<b>Установка ОС, драйверов и MSI Center .....</b>	<b>35</b>
Установка Windows® 10 .....	35
Установка драйверов .....	35
MSI Center .....	35
<b>UEFI BIOS.....</b>	<b>36</b>
Настройка BIOS.....	37
Вход в настройки BIOS.....	37
Инструкции по настройке BIOS .....	37
Сброс BIOS .....	38
Обновление BIOS.....	38

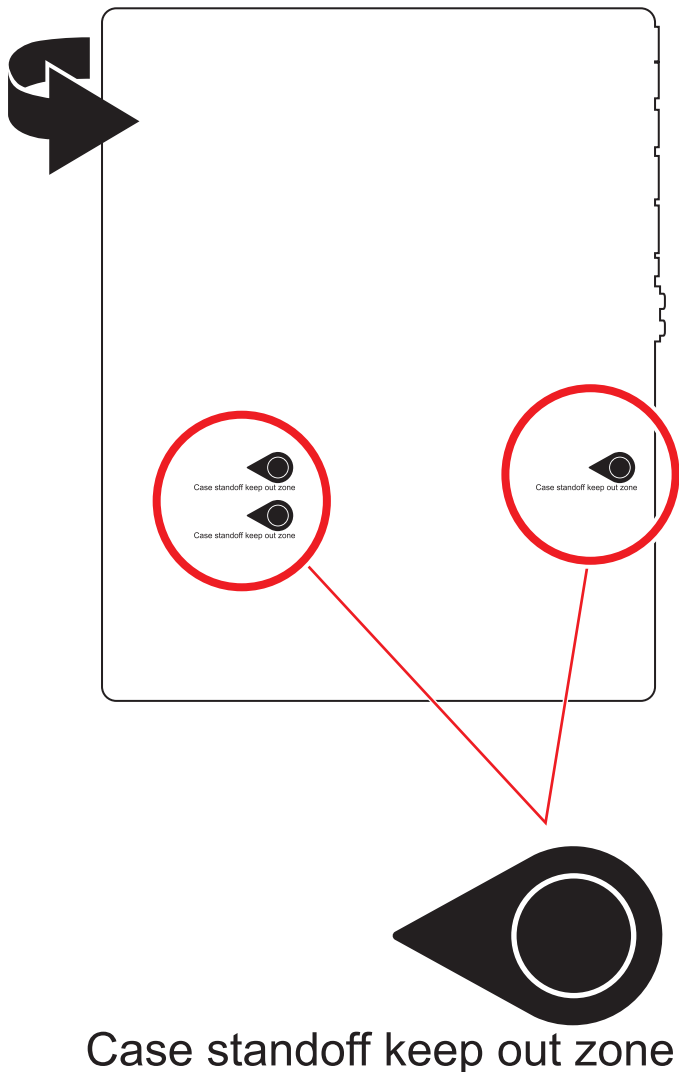
# Безопасное использование продукции

- Компоненты, входящие в комплект поставки могут быть повреждены статическим электричеством. Для успешной сборки компьютера, пожалуйста, следуйте указаниям ниже.
- Убедитесь, что все компоненты компьютера подключены должным образом. Ослабленные соединения компонентов могут привести как к сбоям в работе, так и полной неработоспособности компьютера.
- Чтобы избежать повреждений компонентов платы всегда держите ее за края.
- При сборке компьютера рекомендуется пользоваться электростатическим браслетом. В случае, если это невозможно, перед работой с платой снимите электростатический заряд со своего тела, прикоснувшись к металлическому предмету.
- В случае, если материнская плата не установлена в корпус, храните ее в антистатической упаковке или на антистатическом коврик.
- Перед включением компьютера убедитесь, что все винты крепления и другие металлические компоненты на материнской плате и внутри корпуса надежно зафиксированы.
- Не включайте компьютер, если сборка не завершена. Это может привести к повреждению компонентов, а также травмированию пользователя.
- Если вам нужна помощь на любом этапе сборки компьютера, пожалуйста, обратитесь к сертифицированному компьютерному специалисту.
- Всегда выключайте питание и отсоединяйте шнур питания от электрической розетки перед установкой или удалением любого компонента компьютера.
- Сохраните это руководство для справки.
- Не допускайте воздействия на материнскую плату высокой влажности.
- Перед тем как подключить блок питания компьютера к электрической розетке убедитесь, что напряжение электросети соответствует напряжению, указанному на блоке питания.
- Располагайте шнур питания так, чтобы на него не могли наступить люди. Не ставьте на шнур питания никаких предметов.
- Необходимо учитывать все предостережения и предупреждения, указанные на материнской плате.
- При возникновении любой из перечисленных ниже ситуаций обратитесь в сервисный центр для проверки материнской платы:
  - Попадание жидкости внутрь компьютера.
  - Материнская плата подверглась воздействию влаги.
  - Материнская плата не работает должным образом или невозможно наладить ее работу в соответствии с руководством пользователя.
  - Материнская плата получила повреждения при падении.
  - Материнская плата имеет явные признаки повреждения.
- Не храните материнскую плату в местах с температурой выше 60 °C (140 °F), так как это может привести к ее повреждению.

## Уведомление о стойках для крепления материнской платы

Перед установкой материнской платы в корпус сначала установите стойки, необходимые для ее крепления в корпусе.

Во избежание повреждения материнской платы, запрещается устанавливать любые ненужные стойки в зонах электрических дорожек материнской платы для крепления ее в корпусе компьютера. Знаки «Case standoff keep out zone» (зона, где запрещается устанавливать стойки) отмечены на задней стороне материнской платы (как показано ниже) для предупреждения пользователей.





# Технические характеристики

<b>Процессор</b>	<ul style="list-style-type: none"><li>• Поддержка процессоров Intel® Core™ 10-го поколения, Intel® Core™ 11-го поколения, Pentium® Gold и Celeron®*</li><li>• Процессорный сокет LGA1200</li></ul> <p>* Пожалуйста, обратитесь <a href="http://intel.com">intel.com</a> для получения дополнительной информации о совместимости.</p>
<b>Чипсет</b>	Intel® B560
<b>Память</b>	<ul style="list-style-type: none"><li>• 4x слота памяти DDR4 с поддержкой до 128ГБ*<ul style="list-style-type: none"><li>▪ Поддержка 1R 2133/ 2666/ 2933 МГц для процессоров Intel® 10-го поколения (по стандартам JEDEC и POR)</li><li>▪ Поддержка 1R 2133/ 2666/ 2933/ 3200 МГц для процессоров Intel® 11-го поколения (по стандартам JEDEC и POR)</li><li>▪ Максимальная частота р азгона:<ul style="list-style-type: none"><li>▫ 1DPC 1R поддерживает макс. частоту 5066 МГц</li><li>▫ 1DPC 2R поддерживает макс. частоту 4600+ МГц</li><li>▫ 2DPC 1R поддерживает макс. частоту 4266+ МГц</li><li>▫ 2DPC 2R поддерживает макс. частоту 4000+ МГц</li></ul></li></ul></li><li>• Двухканальная архитектура памяти</li><li>• Поддержка non-ECC, небуферизованной памяти</li><li>• Поддержка Intel® Extreme Memory Profile (XMP)</li></ul> <p>* Пожалуйста, обратитесь <a href="http://www.msi.com">www.msi.com</a> для получения дополнительной информации о совместимых модулях памяти</p>
<b>Слоты расширения</b>	<ul style="list-style-type: none"><li>• 2x слота PCIe x16<ul style="list-style-type: none"><li>▪ PCI_E1 (для процессоров)<ul style="list-style-type: none"><li>▫ Поддержка PCIe 4.0 для процессоров Intel® 11-го поколения</li><li>▫ Поддержка PCIe 3.0 для процессоров Intel® 10-го поколения</li></ul></li><li>▪ PCI_E2 (для чипсета B560)<ul style="list-style-type: none"><li>▫ Поддержка PCIe 3.0 x4</li></ul></li></ul></li><li>• 1x слот PCIe 3.0 x1 (для чипсета B560)</li></ul>
<b>Поддержка Multi-GPU</b>	<ul style="list-style-type: none"><li>• Поддержка технологии 2-Way AMD® CrossFire™</li></ul>

Продолжение на следующей странице

Продолжение с предыдущей страницы

<b>Встроенная графика</b>	<ul style="list-style-type: none"><li>• 1x порт HDMI 2.0b с поддержкой формата HDR, с поддержкой максимального разрешения 4K 60Гц*/**</li><li>• 1x порт DisplayPort 1.4, с поддержкой максимального разрешения 4K 60Гц*/**</li></ul> <p>* Доступно для процессоров с интегрированной графикой. ** Спецификации видеокарт могут меняться в зависимости от установленного процессора.</p>
<b>Подключение накопителей</b>	<ul style="list-style-type: none"><li>• 6x портов SATA 6Гб/с (для чипсета B560)</li><li>• 3x разъема M.2 (Ключ M)<ul style="list-style-type: none"><li>▪ Разъем M2_1 (для процессоров)<ul style="list-style-type: none"><li>▫ Доступно только при использовании процессоров Intel® 11-го поколения</li><li>▫ Поддержка PCIe 4.0 x4</li><li>▫ Поддержка накопителей 2242/ 2260 /2280/ 22110</li></ul></li><li>▪ Разъем M2_2* (для чипсета B560)<ul style="list-style-type: none"><li>▫ Поддержка PCIe 3.0 x4</li><li>▫ Поддержка SATA 6Гб/с</li><li>▫ Поддержка накопителей 2242/ 2260 /2280</li></ul></li><li>▪ Разъем M2_3 (для чипсета B560)<ul style="list-style-type: none"><li>▫ Поддержка PCIe 3.0 x4</li><li>▫ Поддержка накопителей 2242/ 2260 /2280</li><li>▫ Поддержка памяти Intel® Optane™**</li></ul></li></ul></li><li>• Поддержка технологии Intel® Smart Response для процессоров Intel Core™</li></ul> <p>* Разъем SATA1 будет недоступен при установке M.2 SATA SSD в разъем M2_2. ** Перед использованием модулей памяти Intel® Optane™ убедитесь, что драйверы и BIOS были обновлены до последней версии с веб-сайта MSI.</p>

Продолжение на следующей странице

Продолжение с предыдущей страницы

<b>USB</b>	<ul style="list-style-type: none"><li>• Контроллер Intel® B560<ul style="list-style-type: none"><li>▪ 1x порт USB3.2 Gen 2x2 20Гбит/с (порт Type-C на задней панели)</li><li>▪ 1x порт USB 3.2 Gen 2 10Гбит/с (1 порт Type-C доступен через внутренний разъем)</li><li>▪ 6x портов USB 3.2 Gen 1 5Гбит/с (4 порта Type-A на задней панели, 2 порта Type-A доступны через внутренние разъемы)</li><li>▪ 4x порта USB 2.0 на задней панели</li></ul></li><li>• USB-хаб Hub-GL850G<ul style="list-style-type: none"><li>▪ 4x порта USB 2.0 доступны через внутренние разъемы</li></ul></li></ul>
<b>Аудио</b>	Realtek® ALC897 Codec <ul style="list-style-type: none"><li>• 7.1-канальный High Definition Audio</li><li>• Поддержка S/PDIF-out</li></ul>
<b>LAN</b>	<ul style="list-style-type: none"><li>• 1x 2.5-гигабитный сетевой контроллер Realtek® RTL8125B</li><li>• 1x гигабитный сетевой контроллер Intel® I219V (только для MAG B560 TORPEDO)</li></ul>
<b>WiFi и Bluetooth®</b>	<p>Модуль беспроводной связи на базе чипсета Intel® Wi-Fi 6E AX210</p> <ul style="list-style-type: none"><li>• Беспроводной модуль предварительно устанавливается в разъем M.2 (Ключ E)</li><li>• Поддержка MU-MIMO TX/RX, 2.4ГГц/ 5ГГц/ 6ГГц *(160МГц) со скоростью до 2.4Гб/с</li><li>• Поддержка 802.11 a/ b/ g/ n/ ac/ ax</li><li>• Поддержка Bluetooth® 5.2**, FIPS, FISMA</li></ul> <p>Поддержка Wi-Fi 6E 6ГГц зависит от правил каждой страны и будет доступна при запуске ОС WIN10 21H1.</p> <p>** Поддержка Bluetooth 5.2 будет доступна при запуске ОС WIN10 21H1.</p>

Продолжение на следующей странице

Продолжение с предыдущей страницы

<b>Разъемы на плате</b>	<ul style="list-style-type: none"><li>• 1x 24-контактный разъем питания ATX</li><li>• 1x 8-контактный разъем питания ATX 12B</li><li>• 1x 4-контактный разъем питания ATX 12B</li><li>• 1x 6-контактный разъем питания PCIE</li><li>• 6x разъемов SATA 6Гб/с</li><li>• 3x разъема M.2 (Ключ M)</li><li>• 1x порт USB 3.2 Gen 2 10Гб/с Type-C</li><li>• 1x разъем USB 3.2 Gen 1 5Гб/с (поддержка 2-х дополнительных портов USB 3.2 Gen 1 5Гб/с)</li><li>• 2x разъема USB 2.0 (поддержка 4-х дополнительных портов USB 2.0)</li><li>• 1x 4-контактный разъем вентилятора процессора</li><li>• 1x 4-контактный разъем вентилятора Water Pump</li><li>• 5x 4-контактных разъемов вентилятора системы</li><li>• 1x разъем аудио передней панели</li><li>• 2x разъема системной панели</li><li>• 1x разъем датчика открытия корпуса</li><li>• 1x джампер очистки данных CMOS</li><li>• 1x разъем модуля TPM</li><li>• 1x разъем TBT (поддержка режима RTD3)</li><li>• 1x разъем контроллера настройки</li></ul>
<b>Параметры индикаторов</b>	<ul style="list-style-type: none"><li>• 1x переключатель управления EZ LED</li><li>• 2x 4-контактных разъема RGB LED</li><li>• 2x 3-контактных разъема RAINBOW LED</li><li>• 4x индикатора отладки EZ</li></ul>

Продолжение на следующей странице

Продолжение с предыдущей страницы

<b>Разъемы задней панели</b>	<ul style="list-style-type: none"><li>• 4x порта USB 2.0 Type-A</li><li>• 1x порт DisplayPort</li><li>• 1x порт HDMI</li><li>• 4x порта USB 3.2 Gen 1 5Гб/с Type-A</li><li>• 1x порт 3.2 Gen 2x2 20Гб/с Type-C</li><li>• 1x порт LAN 2.5Гб/с (RJ45)</li><li>• 1x порт LAN 1Гб/с (RJ45) (только для MAG B560 TORPEDO)</li><li>• 2x разъема антенны Wi-Fi (только для MAG B560 TOMAHAWK WIFI)</li><li>• 5x аудиоразъемов</li><li>• 1x оптический разъем S/PDIF OUT</li></ul>
<b>Контроллер ввода-вывода</b>	NUVOTON NCT6687-R
<b>Аппаратный мониторинг</b>	<ul style="list-style-type: none"><li>• Определение температуры процессора/системы/чипсета</li><li>• Определение скорости вентиляторов процессора/системы</li><li>• Управление скоростью вентиляторов процессора/системы</li></ul>
<b>Форм-фактор</b>	<ul style="list-style-type: none"><li>• ATX Форм-фактор</li><li>• 12 x 9.6 дюйма (30.5 x 24.4 см)</li></ul>
<b>Параметры BIOS</b>	<ul style="list-style-type: none"><li>• 1x 256 Мб флэш</li><li>• UEFI AMI BIOS</li><li>• ACPI 6.2, SMBIOS 3.0</li><li>• Мультиязычный интерфейс</li></ul>
<b>Программное обеспечение</b>	<ul style="list-style-type: none"><li>• Драйверы</li><li>• MSI Center</li><li>• MSI APP Player (BlueStacks)</li><li>• Open Broadcaster Software (OBS)</li><li>• CPU-Z MSI GAMING</li><li>• Intel® Extreme Tuning Utility</li><li>• Google Chrome™, Google Toolbar, Google Drive</li><li>• Norton™ Internet Security Solution</li></ul>

Продолжение на следующей странице

Продолжение с предыдущей страницы

<b>Функции MSI Center</b>	<ul style="list-style-type: none"><li>• MSI Sound Tune</li><li>• Gaming Mode</li><li>• Creator Mode</li><li>• Game Highlights</li><li>• LAN Manager</li><li>• Mystic Light</li><li>• Ambient Link</li><li>• Frozr AI Cooling</li><li>• User Scenario</li><li>• True Color</li><li>• Live Update</li><li>• Monitor</li><li>• Super Charger</li><li>• Speed Up</li></ul>
<b>Эксклюзивные функции</b>	<ul style="list-style-type: none"><li>• Аудио<ul style="list-style-type: none"><li>▪ Audio Boost</li><li>▪ Sound Tune</li></ul></li><li>• Сеть<ul style="list-style-type: none"><li>▪ 2.5G LAN</li><li>▪ LAN Manager</li><li>▪ Intel Wi-Fi AX210 (только для MAG B560 TOMAHAWK WIFI)</li></ul></li><li>• Охлаждение<ul style="list-style-type: none"><li>▪ All Aluminum Design</li><li>▪ Extended Heatsink Design</li><li>▪ M.2 Shield Frozr</li><li>▪ K7 thermal pad</li><li>▪ Choke pad</li><li>▪ Pump Fan</li><li>▪ Smart Fan Control</li></ul></li></ul>

Продолжение на следующей странице

**Эксклюзивные  
функции**

- Индикатор
  - Mystic Light
  - Mystic Light Extension (RAINBOW/RGB)
  - Mystic Light SYNC
  - Ambient Link (только для MAG B560 TOMAHAWK WIFI)
  - EZ LED Control
  - EZ DEBUG LED
- Производительность
  - Слот Lightning Gen 4 PCI-E
  - Lightning Gen 4 M.2
  - Multi GPU-CrossFire Technology
  - DDR4 Boost
  - Core Boost
  - OC Engine
  - Lightning USB 20G
  - USB 3.2 Gen 2 10G
  - USB с интерфейсом Type A+C
  - USB Type-C на передней панели
  - Dual CPU Power
  - SUPPLEMENTAL PCIE POWER CONNECTOR
  - 2oz Copper thickened PCB
- Защита
  - PCI-E Steel Armor
  - Предустановленная заглушка материнской платы на заднюю панель
- Опыт использования
  - MSI Center
  - Click BIOS 5
  - CPU Cooler Tuning

# Комплект поставки

Проверьте комплект поставки материнской платы. В него должны входить следующие элементы:

<b>Материнская плата</b>	MAG B560 ТОМАНАВК WIFI/ MAG B560 TORPEDO	
<b>Документы</b>	Руководство пользователя	1
	Руководство по быстрой установке	1
	Карта MSI Программ Наград	1
<b>Диск с утилитами</b>	Диск с драйверами	1
<b>Кабели</b>	Кабели SATA 6Гб/с (2 шт./уп.)	1
<b>Аксессуары</b>	Антенны Wi-Fi (только для MAG B560 ТОМАНАВК WIFI)	1
	Наклейка с логотипом	1
	Винты для M.2 + Стойка (2 компл./уп.)	1
	Винты для M.2 + Стойка (1 компл./уп.)	1
	Этикетка MAG	1
	Регистрационная карточка продукта	1



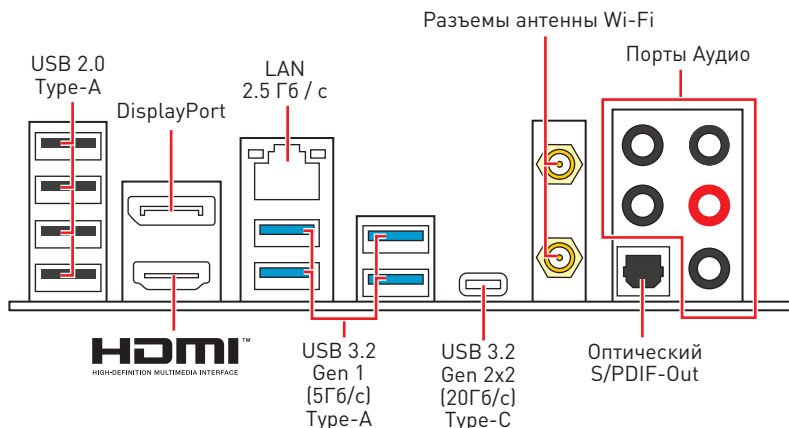
## **Внимание!**

Если какой-либо элемент из комплекта поставки поврежден или отсутствует, пожалуйста, свяжитесь с продавцом.

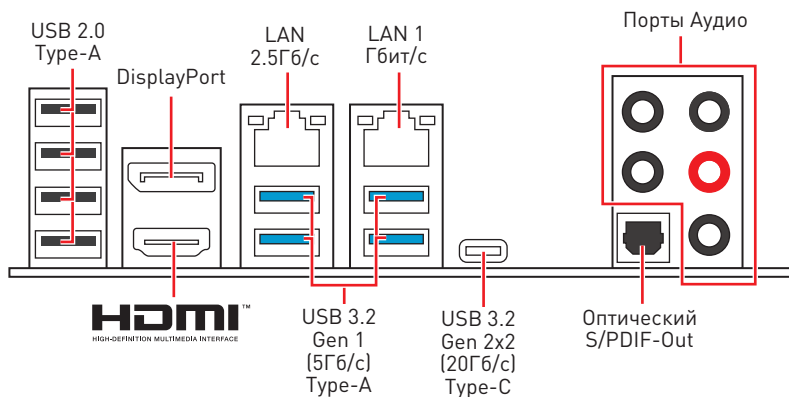


# Задняя панель портов ввода/ вывода

## • MAG B560 ТОМАНАВК WIFI



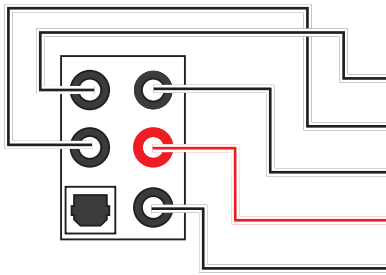
## • MAG B560 TORPEDO



## Таблица состояний индикатора порта LAN

Подключение/ Работа индикатора		Скорость передачи данных								
Состояние	Описание									
Выкл.	Не подключен	<table border="1"> <thead> <tr> <th>Состояние</th> <th>Описание</th> </tr> </thead> <tbody> <tr> <td>Выкл.</td> <td>10 Мбит/с подключение</td> </tr> <tr> <td>Зеленый</td> <td>100/1000 Мбит/с подключение</td> </tr> <tr> <td>Оранжевый</td> <td>1/2.5 Гбит/с подключение</td> </tr> </tbody> </table>	Состояние	Описание	Выкл.	10 Мбит/с подключение	Зеленый	100/1000 Мбит/с подключение	Оранжевый	1/2.5 Гбит/с подключение
Состояние	Описание									
Выкл.	10 Мбит/с подключение									
Зеленый	100/1000 Мбит/с подключение									
Оранжевый	1/2.5 Гбит/с подключение									
Желтый	Подключен									
Мигает	Передача данных									

## Конфигурация портов Аудио



Порты Аудио	Канал			
	2	4	6	8
Выход центральной колонки/ сабвуфера			●	●
Тыловые колонки		●	●	●
Линейный вход/ Выход боковых колонок				●
Линейный выход/ Выход фронтальных колонок	●	●	●	●
Микрофонный вход				

(●: подключен, Пусто: не подключен)

## Realtek Audio Console

После установки Realtek Audio Console вы можете использовать его для изменения параметров звука, чтобы улучшить качество звука.

Дополнительные эффекты



Выбор устройства

Настройки подключения

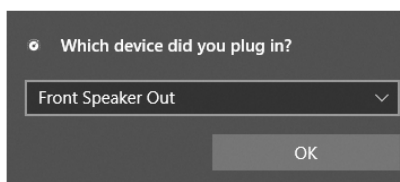
Состояние разъемов

Мастер-громкость

- **Выбор устройства** – позволяет выбрать источник аудио выхода и изменить соответствующие параметры. Отмеченное устройство будет использоваться по умолчанию.
- **Дополнительные эффекты** – это список опций по настройке звуковых эффектов для входного и выходного сигнала аудио устройства.
- **Мастер-громкость** – регулирует громкость или баланс правой и левой колонок, подключенных к передней или задней панели.
- **Состояние разъемов** – отображает все устройства воспроизведения и записи, подключенные к компьютеру.
- **Настройки подключений** – настраивают параметры подключения.

### Автоматическое всплывающее диалоговое окно

При подключении устройства к разъему аудио появится диалоговое окно с просьбой подтвердить подключенное устройство.

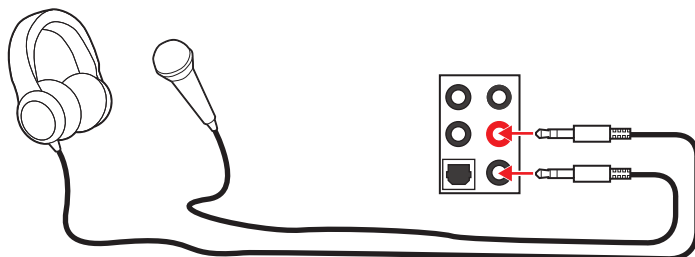


Каждый разъем соответствует его настройкам по умолчанию, как показано на следующей странице.

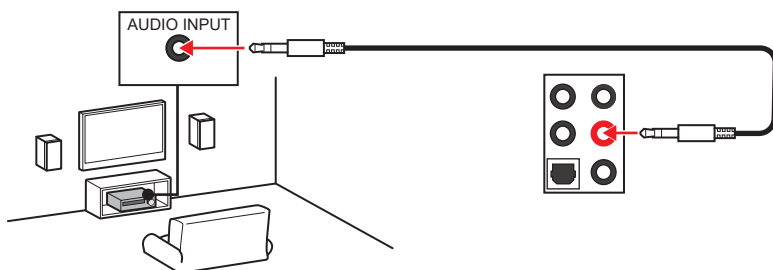
### **Внимание!**

*Изображения приведены исключительно в справочных целях и могут отличаться от фактических.*

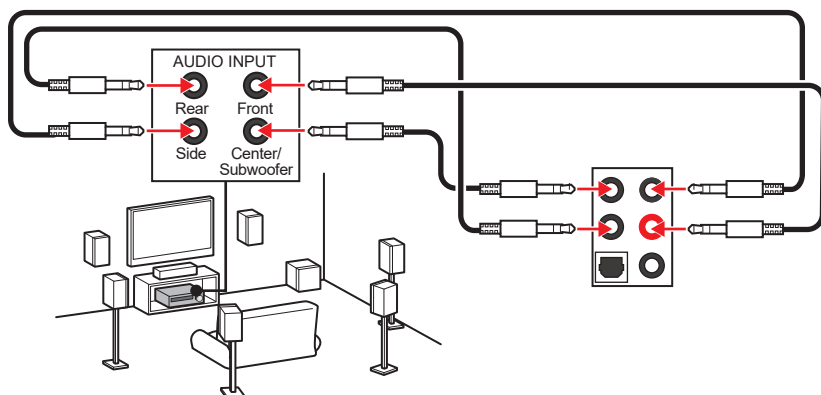
## Подключение наушников и микрофона



## Подключение внешнего стерео усилителя (колонок)

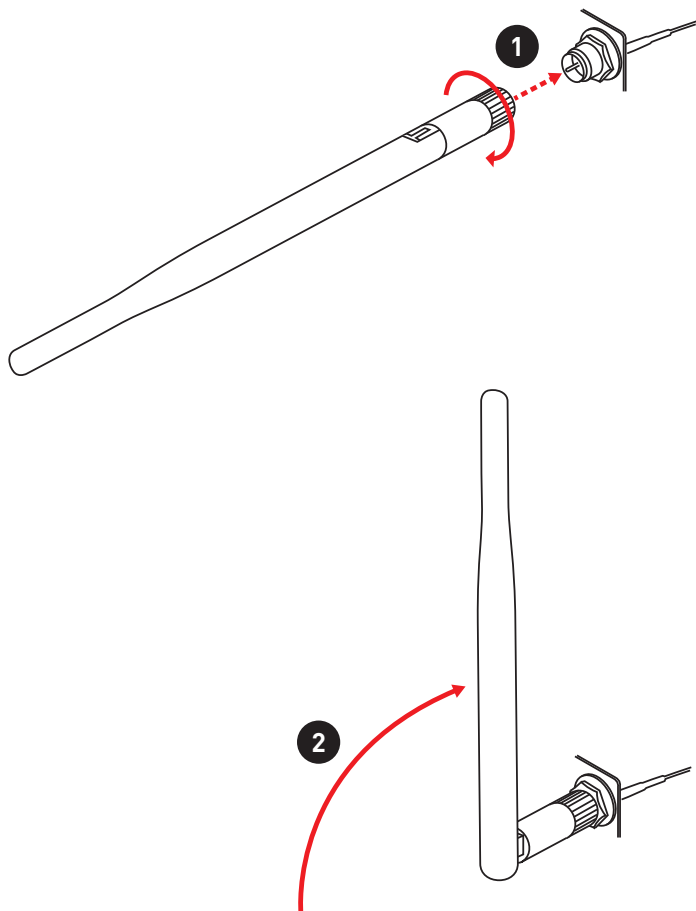


## Подключение звуковой системы 7.1

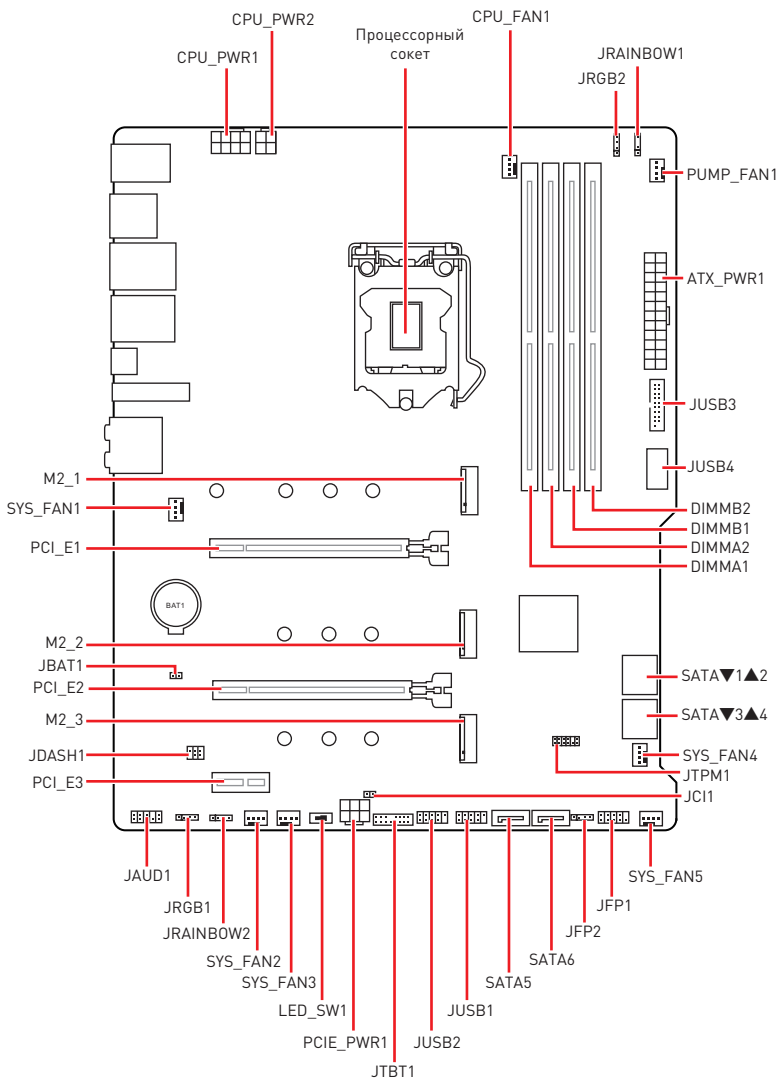


## Установка антенн

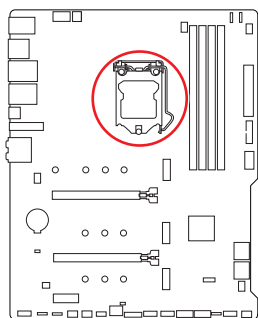
1. Прикрутите антенну к разъему антенны WiFi, как показано на рисунке ниже.
2. Отрегулируйте угол наклона антенны.



# Компоненты материнской платы

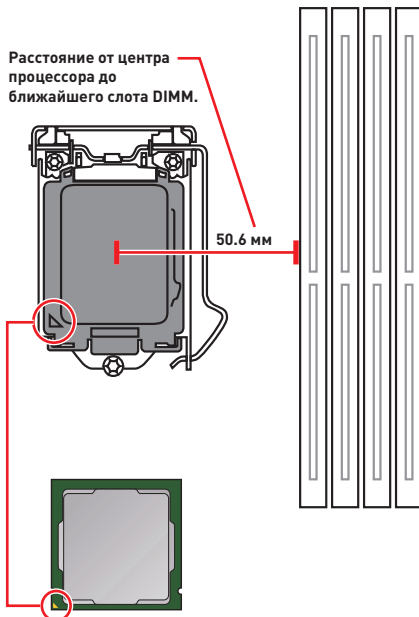


## Процессорный socket



### Процессор LGA1200

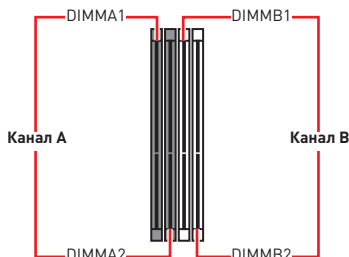
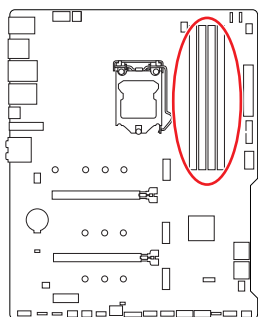
На поверхности процессора LGA1200 имеется две **выемки** и один **золотой треугольник** для правильной установки процессора относительно процессорного сокета материнской платы. Золотой треугольник указывает на контакт 1.



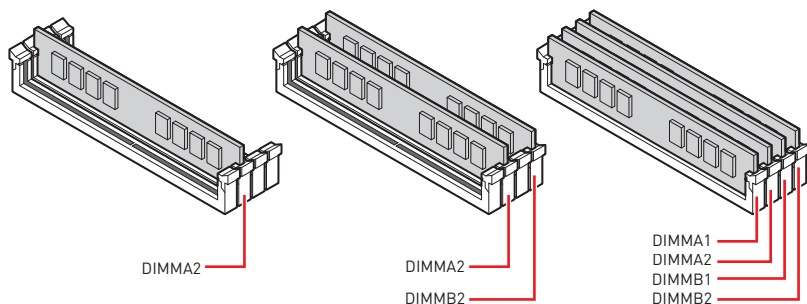
### Внимание!

- Перед установкой или заменой процессора, необходимо отключить кабель питания.
- Пожалуйста, сохраните защитную крышку процессорного сокета после установки процессора. Любые возможные гарантийные случаи, связанные с работой материнской платы, MSI® будет рассматривать только, при наличии защитной крышки на процессорном сокете.
- При установке процессора обязательно установите процессорный кулер. Кулер, представляющий собой систему охлаждения процессора, предотвращает перегрев и обеспечивает стабильную работу системы.
- Перед включением системы проверьте герметичность соединения между процессором и радиатором.
- Перегрев может привести к серьезному повреждению процессора и материнской платы. Всегда проверяйте работоспособность вентилятора для защиты процессора от перегрева. При установке кулера нанесите ровный слой термопасты (или термоленту) на крышку установленного процессора для улучшения теплопередачи.
- Если процессор не установлен, всегда защищайте контакты процессорного сокета пластиковой крышкой.
- Если вы приобрели отдельно процессор и процессорный кулер, подробное описание установки см. в документации в данном кулере.
- Данная системная плата разработана с учетом возможности ее «разгона». Перед выполнением разгона системы убедитесь в том, что все компоненты системы смогут его выдержать. Производитель не рекомендует использовать параметры, выходящие за пределы технических характеристик устройств. Гарантия MSI® не распространяется на повреждения и другие возможные последствия ненадлежащей эксплуатации оборудования.

## Слоты DIMM



## Рекомендации по установке модулей памяти

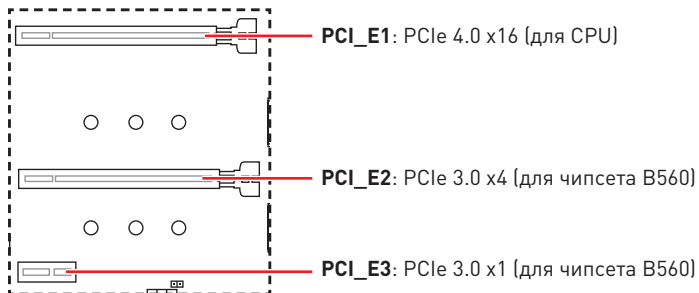


### **Внимание!**

- Всегда устанавливайте модуль памяти сначала в слот **DIMMA2**.
- Для более стабильной работы системы в двухканальном режиме, модули памяти должны быть одинакового типа, количества и емкости.
- Некоторые модули памяти при разгоне могут работать на частотах ниже заявленной производителем, поскольку выставляемая для памяти частота зависит от информации, записанной в SPD (Serial Presence Detect). Зайдите в BIOS и выберите опцию **DRAM Frequency**, чтобы установить заявленную или более высокую частоту.
- При установке памяти во все слоты, а также при ее разгоне, рекомендуется использовать более эффективную систему охлаждения памяти.
- Совместимость и стабильность работы установленных модулей памяти при разгоне зависит от установленного процессора и других устройств.
- Пожалуйста, обратитесь [www.msi.com](http://www.msi.com) для получения дополнительной информации о совместимых модулях памяти.



## PCI\_E1~3: Слоты расширения PCIe

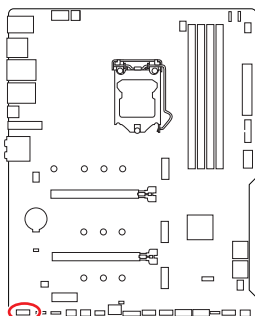


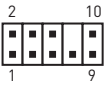
### Внимание!

- При установке массивной видеокарты, необходимо использовать такой инструмент, как **MSI Graphics Card Bolster** для поддержки веса графической карты и во избежание деформации слота.
- Для установки одной карты расширения PCIe x16 с оптимальной производительностью рекомендуется использовать слот **PCI\_E1**.
- Перед установкой или извлечением плат расширения убедитесь, что кабель питания отключен от электрической сети. Прочтите документацию на карту расширения и выполните необходимые дополнительные аппаратные или программные изменения для данной карты.

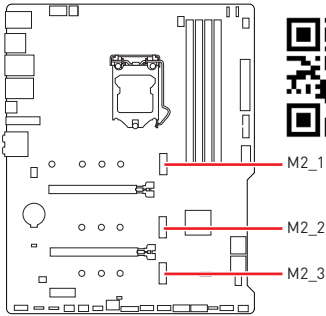
## JAUD1: Разъем аудио передней панели

Данный разъем предназначен для подключения аудиоразъемов передней панели.



			
1	MIC L	2	Ground
3	MIC R	4	NC
5	Head Phone R	6	MIC Detection
7	SENSE_SEND	8	No Pin
9	Head Phone L	10	Head Phone Detection

## M2\_1~3: Разъемы M.2 (Ключ M)



### Видео Инструкция

Смотрите видео, чтобы узнать как использовать M.2 SSD.

<https://youtu.be/2UeWMgjwogU>

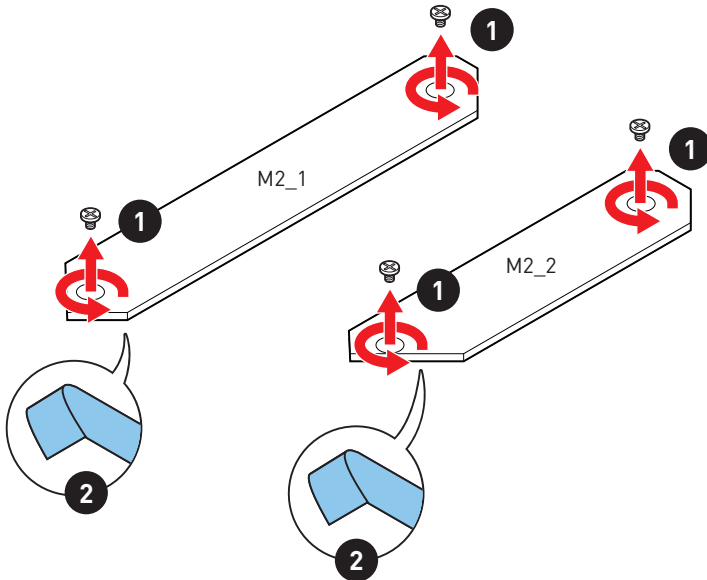


### Внимание!

- Технология Intel® RST только поддерживает PCIe M.2 SSD с UEFI ROM.
- Только разъем M2\_3 поддерживает память Intel® Optane™.

### Установка модуля M.2

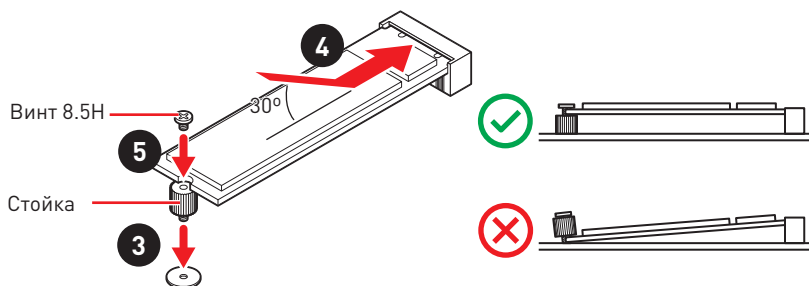
1. Удалите винты для радиатора M.2 SHIELD FROZR.
2. Удалите M.2 SHIELD FROZR и снять защитную пленку с термоинтерфейса.



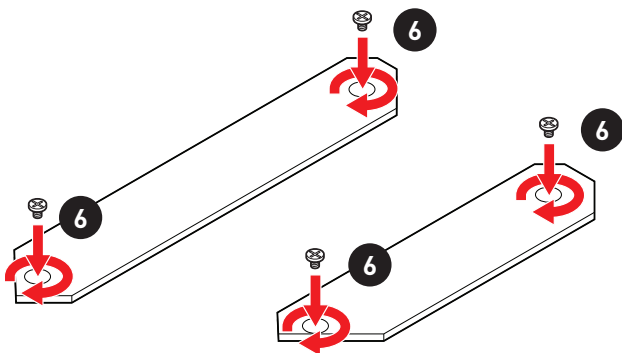
3. При необходимости установите поставляемые стойки M.2 в соответствии с длиной M.2 SSD.
4. Вставьте M.2 SSD в разъем M.2 под углом 30 градусов.
5. Закрепите M.2 SSD с помощью прилагаемого винта 8.5H для M.2.

**⚠ Внимание!**

- Радиатор M.2 SHIELD FROZR для разъема M2\_1 только доступен для модели MAG B560 TOMAHAWK WIFI.
- Пропустите шаг 3 и шаг 5, чтобы установить 22110 M.2 в разъем M2\_1 или установить 2280 M.2 в разъем M2\_2.

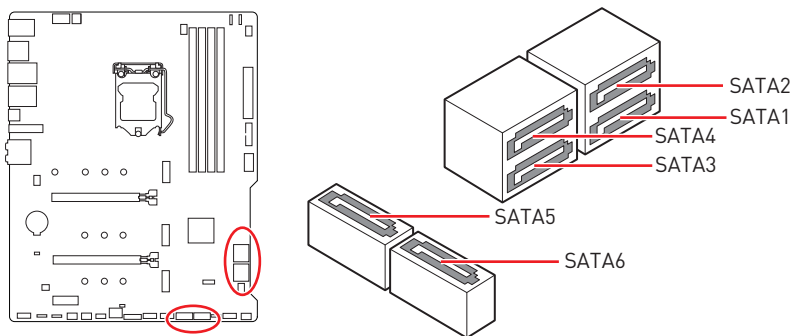


6. Установите на место радиатор M.2 SHIELD FROZR и закрепите его.



## SATA1~6: Разъемы SATA 6Гб/с

Эти разъемы представляют собой интерфейсные порты SATA 6Гб/с. К каждому порту можно подключить одно устройство SATA.



### **Внимание!**

- Избегайте перегибов кабеля SATA под прямым углом. В противном случае, возможна потеря данных при передаче.
- Кабели SATA оснащены одинаковыми коннекторами с обеих сторон. Однако, для экономии занимаемого пространства к материнской плате рекомендуется подключать плоский разъем.
- Разъем SATA1 будет недоступен при установке M.2 SATA SSD в разъем M2\_2.

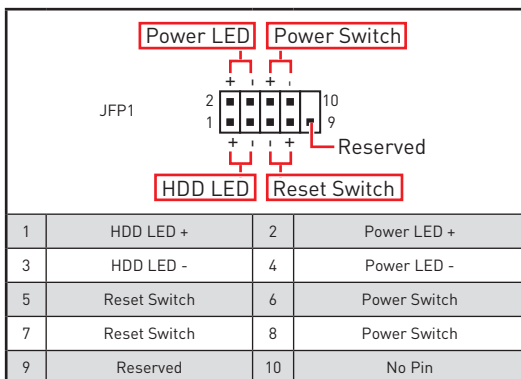
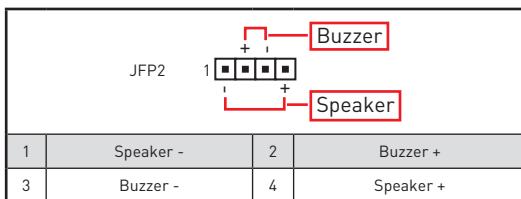
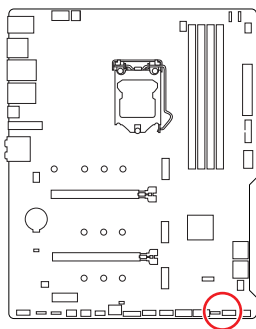
### Таблица комбинации для слотов M.2 и SATA

Слот	Доступные разъемы SATA	
M2_1	PCIe (Разъем M2_1 будет доступен только при использовании процессоров Intel® 11-го поколения)	
M2_2	PCIe	SATA
M2_3	PCIe (Разъем M2_3 не поддерживает SATA)	
SATA1	✓	—
SATA2	✓	✓
SATA3	✓	✓
SATA4	✓	✓
SATA5	✓	✓
SATA6	✓	✓

[SATA: M.2 SATA SSD, PCIe: M.2 PCIe SSD, ✓: доступно, —: недоступно]

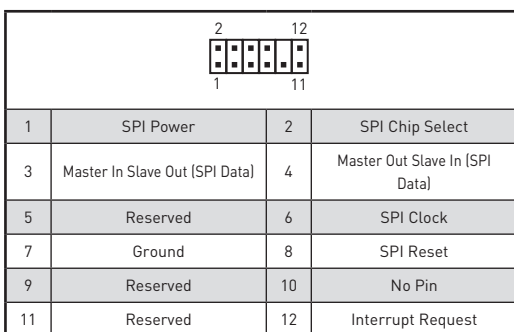
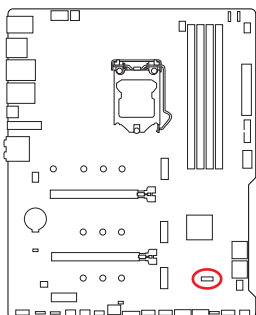
## JFP1, JFP2: Разъемы передней панели

Эти разъемы служат для подключения кнопок и светодиодных индикаторов, расположенных на передней панели.



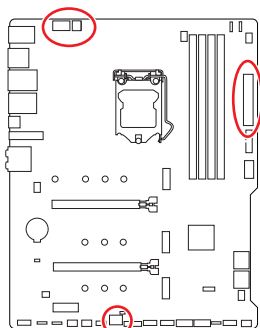
## JTPM1: Разъем модуля TPM

Данный разъем используется для подключения модуля TPM (Trusted Platform Module). Дополнительные сведения см. в описании модуля TPM.



## CPU\_PWR1~2, ATX\_PWR1, PCIE\_PWR1: Разъемы питания

Данные разъемы предназначены для подключения блока питания АТХ.



CPU_PWR1			
1	Ground	5	+12V
2	Ground	6	+12V
3	Ground	7	+12V
4	Ground	8	+12V

CPU_PWR2			
1	Ground	3	+12V
2	Ground	4	+12V

ATX_PWR1			
1	+3.3V	13	+3.3V
2	+3.3V	14	-12V
3	Ground	15	Ground
4	+5V	16	PS-ON#
5	Ground	17	Ground
6	+5V	18	Ground
7	Ground	19	Ground
8	PWR OK	20	Res
9	5VSB	21	+5V
10	+12V	22	+5V
11	+12V	23	+5V
12	+3.3V	24	Ground

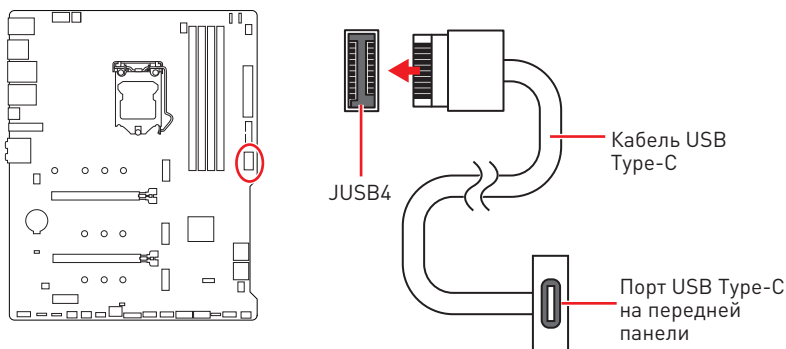
PCIE_PWR1			
1	+12V	4	Ground
2	+12V	5	Ground
3	+12V	6	Ground

### **Внимание!**

Для обеспечения стабильной работы системной платы проверьте надежность подключения всех кабелей питания к блоку питания АТХ.

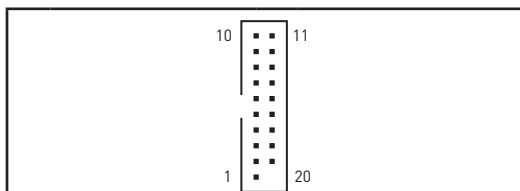
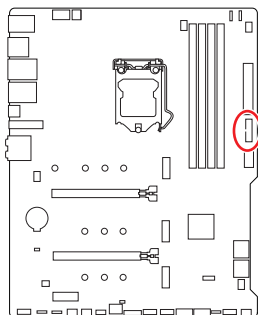
## JUSB4: Разъем USB 3.2 Gen 2 Type-C

Данный разъем предназначен для подключения портов 3.2 Gen 2 Type-C на передней панели. Данный коннектор имеет защиту от неправильного подключения. При подключении кабеля убедитесь, что коннектор сориентирован правильно относительно разъема.



## JUSB3: Разъем USB 3.2 Gen 1

Данный разъем предназначен для подключения портов USB 3.2 Gen 1 5Гб/с на передней панели.



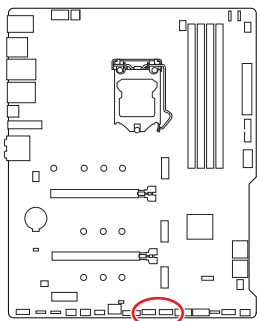
1	Power	11	USB2.0+
2	USB3_RX_DN	12	USB2.0-
3	USB3_RX_DP	13	Ground
4	Ground	14	USB3_TX_C_DP
5	USB3_TX_C_DN	15	USB3_TX_C_DN
6	USB3_TX_C_DP	16	Ground
7	Ground	17	USB3_RX_DP
8	USB2.0-	18	USB3_RX_DN
9	USB2.0+	19	Power
10	Ground	20	No Pin



Помните, что во избежание повреждений, необходимо правильно подключать контакты питания и земли.

## JUSB1~2: Разъемы USB 2.0

Данные разъемы предназначены для подключения портов USB 2.0 на передней панели.



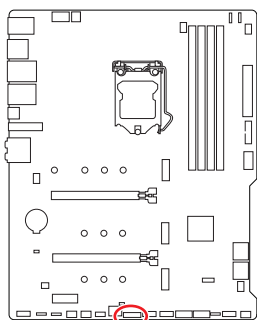
1	VCC	2	VCC
3	USB0-	4	USB1-
5	USB0+	6	USB1+
7	Ground	8	Ground
9	No Pin	10	NC

### **Внимание!**

- Помните, что во избежание повреждений, необходимо правильно подключать контакты VCC и земли.
- Для того, чтобы зарядить ваш iPad, iPhone и iPod через порты USB, пожалуйста, установите утилиту MSI® Center.

## JTBT1: Разъем для установки карты расширения Thunderbolt

Данный разъем предназначен для подключения карты расширения с интерфейсом Thunderbolt.

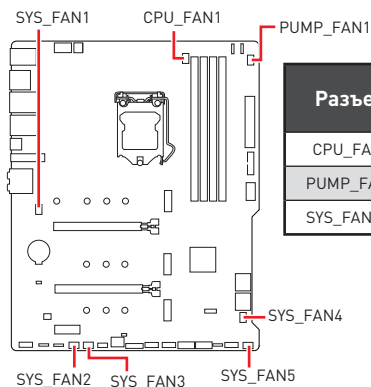


1	TBT_FORCE_PWR	2	TBT_S0IX_ENTRY_REQ
3	TBT_CIO_PLUG_EVENT#	4	TBT_S0IX_ENTRY_ACK
5	SLP_S3#_TBT	6	TBT_PSON_OVERRIDE_N
7	SLP_S5#_TBT	8	No Pin
9	Ground	10	SMBCLK_VSB
11	DG_PEWAKE#	12	SMBDATA_VSB
13	TBT_RTD3_PWR_EN	14	Ground
15	TBT_CARD_DET_R#	16	PD_IRQ#



## CPU\_FAN1, PUMP\_FAN1, SYS\_FAN1~5: Разъемы вентиляторов

Разъемы вентиляторов можно разделить на два типа: с PWM (Pulse Width Modulation) управлением и управлением постоянным током. Разъемы вентиляторов с PWM управлением имеют контакт с постоянным напряжением 12В, а также контакт с сигналом управления скоростью вращения. Управление скоростью вращения вентиляторов с управлением постоянным током, осуществляется через соответствующие разъемы путем изменения величины напряжения. Разъемы автоматического определения автоматически определяют режим работы вентиляторов: PWM или DC. Для настройки режима работы вентилятора вручную (PWM или DC), следуйте указаниям ниже.



Разъем	Режим по умолчанию	Макс. ток	Макс. мощность
CPU_FAN1	Режим PWM	2А	24Вт
PUMP_FAN1	Режим PWM	3А	36Вт
SYS_FAN1-5	Режим DC	1А	12Вт

### Переключение режимов работы и скорости вращения вентилятора

В меню **BIOS > HARDWARE MONITOR** вы можете выбрать режим работы вентилятора: PWM или DC, а также настроить его скорость вращения.

Выберите режим **PWM** или **DC**



Вы можете регулировать скорость вращения вентилятора в зависимости от температуры процессора путем изменения положения градиентных точек.



Убедитесь, что вентиляторы работают правильно после выбора режима PWM/ DC.

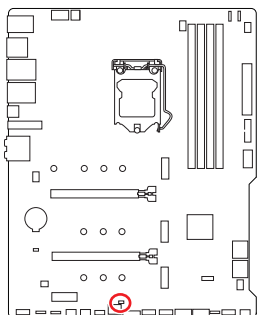
### Назначение контактов разъема для подключения вентилятора

Назначение контактов разъема для режима PWM			
1	Ground	2	+12V
3	Sense	4	Speed Control Signal

Назначение контактов разъема для режима DC			
1	Ground	2	Voltage Control
3	Sense	4	NC

## JCI1: Разъем датчика открытия корпуса

К этому разъему подключается кабель от датчика открытия корпуса.



Нормально  
(По умолчанию)



Разрешить запись по  
событию открытия  
корпуса

### Использование датчика открытия корпуса

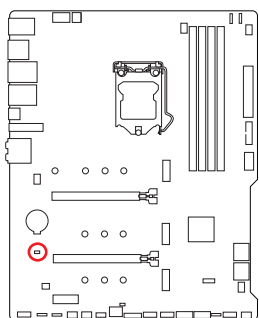
1. Подключите датчик открытия корпуса к разъему JCI1.
2. Закройте крышку корпуса.
3. Войдите в **BIOS > SETTINGS > Security > Chassis Intrusion Configuration**.
4. Установите **Chassis Intrusion** в **Enabled**.
5. Нажмите клавишу **F10**, чтобы сохранить настройки и выйти, а затем нажмите клавишу **Enter**, чтобы выбрать **Yes**.
6. При открытии корпуса на экране будет появляться предупреждающее сообщение каждый раз при включении компьютера.

### Сброс сообщения об открытии корпуса

1. Войдите в **BIOS > SETTINGS > Security > Chassis Intrusion Configuration**.
2. Выберите **Chassis Intrusion, Reset**.
3. Нажмите клавишу **F10**, чтобы сохранить изменения и выйти, а затем нажмите клавишу **Enter**, чтобы выбрать **Yes**.

## JBAT1: Джемпер очистки данных CMOS (Сброс BIOS)

На плате установлена CMOS память с питанием от батарейки для хранения данных о конфигурации системы. Для сброса конфигурации системы (очистки данных CMOS памяти), воспользуйтесь этим джемпером.



Сохранение данных  
(По умолчанию)



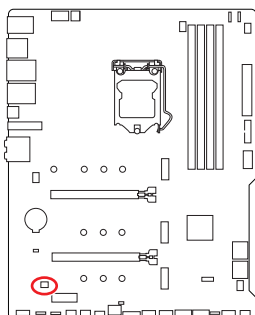
Очистка данных/  
Сброс BIOS

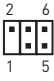
### Сброс настроек BIOS до значений по умолчанию

1. Выключите компьютер и отключите шнур питания.
2. Используйте джемпер, чтобы замкнуть соответствующие контакты **JBAT1** в течение **5-10** секунд.
3. Снимите джемпер с контактов **JBAT1**.
4. Подключите шнур питания и включите компьютер.

## JDASH1: Разъем контроллера настройки

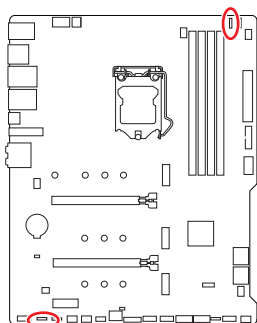
Данный разъем предназначен для подключения модуля контроллера настройки (опционально).



			
1	No Pin	2	NC
3	MCU_SMB_SCL_M	4	MCU_SMB_SDA_M
5	VCC5	6	Ground

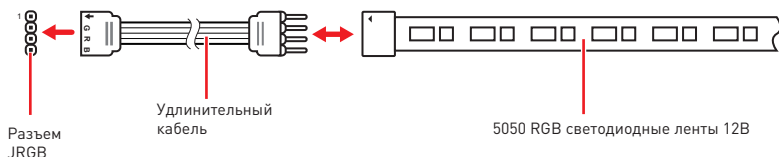
## JRGB1~2: Разъемы RGB LED

Разъемы JRGB предназначены для подключения 5050 RGB светодиодных лент 12В.

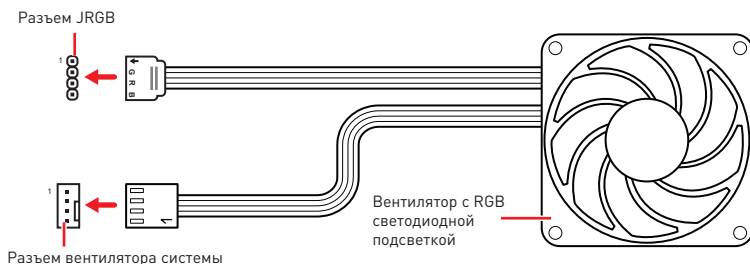


1			
1	+12V	2	G
3	R	4	B

### Подключение RGB светодиодных лент



### Подключение вентиляторов с RGB светодиодной подсветкой

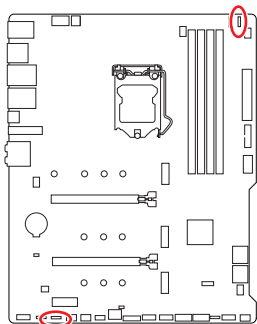


### **Внимание!**

- Разъем JRGB поддерживает подключение 5050 RGB непрерывных светодиодных лент (12В/G/R/B) длиной до 2 метров с максимальной мощностью 3А (12В).
- Перед установкой или заменой светодиодных лент RGB, необходимо полностью обесточить систему и отключить кабель питания.
- Используйте утилиту MSI для управления удлинительными светодиодными лентами.

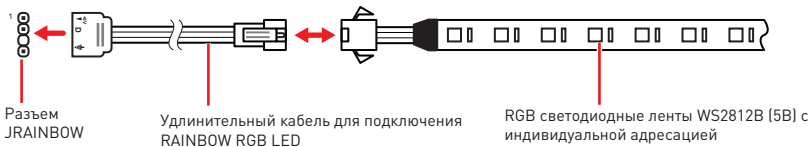
## JRAINBOW1~2: Разъемы адресных RGB LED

Разъемы JRAINBOW предназначены для подключения RGB светодиодных лент WS2812B (5B) с индивидуальной адресацией.

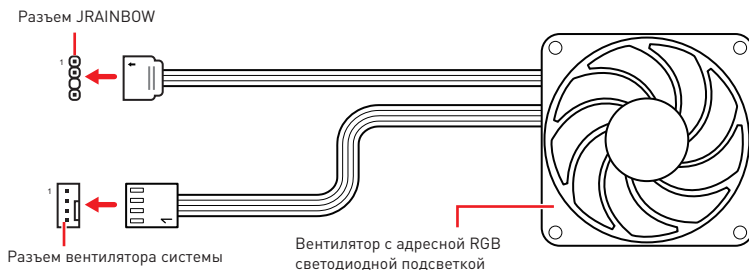


		1	
1	+5V	2	Data
3	No Pin	4	Ground

### Подключение адресных RGB светодиодных лент



### Подключение вентиляторов с адресной RGB светодиодной подсветкой



### **ВНИМАНИЕ!**

Не подключайте несовместимые с материнской платой светодиодные ленты. Разъем JRGB и разъем JRAINBOW имеют разное напряжение, и подключение светодиодных лент 5B к разъему JRGB приведет к их повреждению.

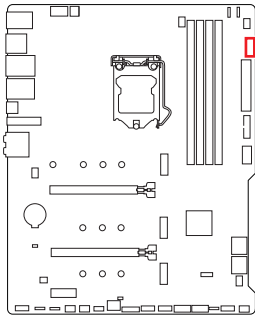
### **Внимание!**

- Разъем JRAINBOW поддерживает подключение RGB светодиодных лент WS2812B с индивидуальной адресацией (5B/Data/Ground) с максимальной мощностью 3A (5B), и максимальное количество светодиодов составляет 75. Когда яркость подсветки установлена на 20%, к данному разъему можно подключить до 200 светодиодов.
- Перед установкой или заменой светодиодных лент RGB, необходимо полностью обесточить систему и отключить кабель питания.
- Используйте утилиту MSI для управления удлинительными светодиодными лентами.

# Встроенные индикаторы

## Индикаторы отладки EZ

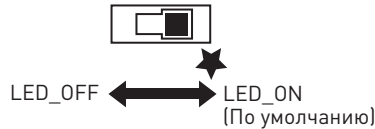
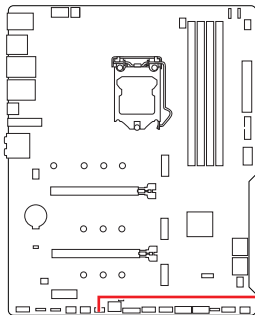
Данные светодиоды показывают состояния отладки материнской платы.



- CPU** - процессор не обнаружен или поврежден.
- DRAM** - память DRAM не обнаружена или повреждена.
- VGA** - видеокарта не обнаружена или повреждена.
- BOOT** - устройство загрузки не обнаружено или повреждено.

## LED\_SW1: Переключатель для управления индикаторами EZ

Этот переключатель используется для включения/выключения всех индикаторов на материнской плате.



# Установка ОС, драйверов и MSI Center

Скачайте и обновите по следние утилиты и драйверы с сайта: [www.msi.com](http://www.msi.com)

## Установка Windows® 10

1. Включите компьютер.
2. Вставьте диск Windows® 10 в привод для оптических дисков или вставьте в разъем USB компьютера USB флэш-диск, содержащий установочный файл Windows® 10.
3. Нажмите кнопку **Restart** на корпусе компьютера.
4. Нажмите клавишу **F11** во время POST (Power-On Self Test) компьютера, чтобы войти в меню загрузки.
5. Выберите оптический привод / USB флэш-диск в меню загрузки.
6. Нажмите любую клавишу, когда на экране показывает сообщение **Press any key to boot from CD or DVD...**
7. Следуйте инструкциям на экране, чтобы установить Windows® 10.

## Установка драйверов

1. Загрузите компьютер в Windows® 10.
2. Вставьте USB флэш-диск с драйверами MSI® USB Drive в привод для оптических дисков.
3. Нажмите всплывающее окно **Select to choose what happens with this disc** и выберите **Run DVDSetup.exe**, чтобы открыть окно установщика. Если функция автозапуска в Панели управления Windows выключена, вы также можете вручную запустить файл **DVDSetup.exe** из корневой папки USB флэш-диска с драйверами MSI USB Drive.
4. Окно установщика найдет и перечислит все необходимые драйверы во вкладке **Drivers/Software**.
5. Нажмите кнопку **Install** в правом нижнем углу окна установщика.
6. Начнется установка драйверов. После ее завершения будет предложено перезапустить систему.
7. Нажмите кнопку **OK** для завершения.
8. Перезапустите компьютер.

## MSI Center

Приложение MSI Center поможет легко оптимизировать настройки игры и беспрепятственно испол ьзовать программы для создания контента. С помощью MSI Center вы можете контролировать и синхронизировать эффекты светодиодной подсветки на ПК и друг их продуктах MSI, настраивать режимы работы, контролировать производительность системы и регулировать скорость вращения вентилятора .

## Инструкции по использованию MSI Center



Для получения подробной информации о MSI Center, обратитесь к

<http://download.msi.com/manual/mb/MSICENTER.pdf>

или отсканируйте QR-код и откройте веб-сайт.



**Внимание!**

Функции могут меняться в зависимости от приобретенного вами продукта.

# UEFI BIOS

MSI UEFI BIOS совместим с архитектурой UEFI (Unified Extensible Firmware Interface). Прошивка UEFI BIOS имеет множество новых функций и преимуществ, которые не поддерживаются традиционным BIOS. Она будет полностью поддерживать ПК и устройства нового поколения, которые соответствуют архитектуре прошивки UEFI.



## **Внимание!**

*Термин BIOS в этом руководстве пользователя относится к UEFI BIOS, если не указано иное.*

## **Преимущества UEFI**

- Быстрая загрузка - Можно загружать операционную систему напрямую из UEFI без самопроверки BIOS. Не требуется переключение в режим CSM во время процедуры POST.
- Поддерживает разделы жесткого диска объемом более 2 ТБ.
- Поддерживает более 4 основных разделов с таблицей разделов GUID (GPT).
- Поддерживает неограниченное количество разделов.
- Поддерживает полный функционал новых устройств - Новые устройства могут не поддерживать обратную совместимость.
- Поддерживает запуск ОС в безопасном режиме - UEFI может проверить работоспособность операционной системы, чтобы убедиться, что вредоносные программы не влияют на процесс загрузки.

## **В следующих случаях система несовместима с архитектурой UEFI**

- **32-битная ОС Windows** - Эта материнская плата поддерживает только 64-битную операционную систему Windows 10.
- **Видеокарта устаревшего поколения** - Система определяет модель установленной видеокарты и отображает предупреждающее сообщение «**There is no GOP (Graphics Output protocol) support detected in this graphics card**».



## **Внимание!**

*Для нормальной работы системы рекомендуется заменить установленную видеокарту на видеокарту, совместимую с GOP/UEFI, или использовать процессор со встроенной графикой.*

## **Как проверить режим BIOS?**

1. Включите компьютер.
2. Нажмите клавишу **Delete**, когда появляется сообщение на экране **Press DEL key to enter Setup Menu, F11 to enter Boot Menu** во время загрузки.
3. Зайдите в BIOS и выберите **режим BIOS** в верхней части экрана.

Режим BIOS: UEFI



## Настройка BIOS

Настройки по умолчанию обеспечивают оптимальную производительность и стабильность системы при нормальных условиях. Если вы недостаточно хорошо знакомы с BIOS, **всегда устанавливайте настройки по умолчанию**. Это позволит избежать возможных повреждений системы, а также проблем с загрузкой.



### **Внимание!**

- С целью улучшения производительности, меню BIOS постоянно обновляется. В связи с этим данное описание может немного отличаться от последней версии BIOS и может использоваться в качестве справки. Для описания какого-либо пункта меню настроек BIOS, вы можете обратиться к информационной панели **HELP**.
- Экраны, параметры и настройки BIOS могут меняться в зависимости от вашей системы.

## Вход в настройки BIOS

Нажмите клавишу **Delete**, когда появляется сообщение на экране **Press DEL key to enter Setup Menu, F11 to enter Boot Menu** во время загрузки.

### Функциональные клавиши

- F1:** Общая справка
- F2:** Добавить / Удалить избранный предмет
- F3:** Вход в меню Избранное
- F4:** Вход в меню технических параметров процессора
- F5:** Вход в меню Memory-Z
- F6:** Загрузить оптимизированные настройки по умолчанию
- F7:** Переключить между расширенном режимом и режимом EZ
- F8:** Загрузить профиль разгона
- F9:** Сохранить профиль разгона
- F10:** Сохранить изменения и перезагрузить\*
- F12:** Сделать скриншот и сохранить его на USB флэш-диск (только FAT / FAT32 формат).

**Ctrl+F:** Вход в страницу поиска

\* При нажатии клавиши F10 появится информационное окно. Выберите Yes или No, чтобы подтвердить выбор.

## Инструкции по настройке BIOS



Для получения подробной информации о инструкциях по настройке BIOS, обратитесь к

<http://download.msi.com/manual/mb/Intel500BIOSru.pdf>

или отсканируйте QR-код и откройте веб-сайт.

## Сброс BIOS

В некоторых ситуациях необходимо выполнить восстановление настроек BIOS до значений по умолчанию. Существует несколько способов сброса настроек:

- Войдите в BIOS и нажмите клавишу **F6** для загрузки оптимизированных значений по умолчанию.
- Замкните джампер **очистки данных CMOS** на материнской плате.



### Внимание!

Убедитесь, что компьютер выключен перед очисткой данных CMOS. Для получения дополнительной информации о сбросе настроек BIOS, обратитесь к разделу «Джампер/ кнопка **очистки данных CMOS**».

## Обновление BIOS

### Обновление BIOS при помощи M-FLASH

Перед обновлением:

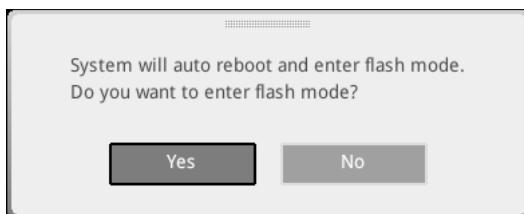
Пожалуйста, скачайте последнюю версию файла BIOS с сайта MSI, который соответствует вашей модели материнской платы. Сохраните файл BIOS на флэш-диске USB.

Обновление BIOS:

1. Вставьте флэш-диск USB, содержащий файл обновления в порт USB на компьютере.
2. Для входа в режим обновления следуйте указаниям ниже.
  - Перезагрузите системы и нажмите клавиши **Ctrl+F5** во время процедуры POST, потом нажмите на кнопку **Yes** для перезагрузки системы.

Press <Ctrl+F5> to activate M-Flash for BIOS update.

- Перезагрузите системы и нажмите клавишу **Del** во время процедуры POST для входа в настройки BIOS. Выберите вкладку **M-FLASH** и нажмите на кнопку **Yes** для перезагрузки системы.



3. Выберите файл BIOS для выполнения процесса обновления BIOS.
4. При появлении окна с предложением нажмите на кнопку **Yes** для обновления BIOS.
5. После завершения процесса обновления, система перезагрузится автоматически.

## Обновление BIOS при помощи MSI Center

Перед обновлением:

- Убедитесь, что драйвер локальной сети установлен и есть подключение к сети Интернет.
- Перед обновлением BIOS закройте все остальные приложения.

Обновление BIOS:

1. Установите и запустите MSI CENTER, и затем перейдите на страницу **Support**.
2. Выберите **Live Update** и нажмите кнопку **Advanced**.
3. Выберите файл BIOS и нажмите кнопку **Install**.
4. Когда на экране появится напоминание об установке, нажмите кнопку **Install**.
5. Система автоматически перезагрузится для обновления BIOS.
6. По завершению процесса обновления BIOS, система перезагрузится автоматически.



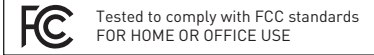
# Regulatory Notices

## FCC Compliance Statement

Note: This equipment has been tested and found to comply with the limits for a Class B digital device, pursuant to part 15 of the FCC Rules. These limits are designed to provide reasonable protection against harmful interference in a residential installation. This equipment generates, uses and can radiate radio frequency energy and, if not installed and used in accordance with the instructions, may cause harmful interference to radio communications. However, there is no guarantee that interference will not occur in a particular installation. If this equipment does cause harmful interference to radio or television reception, which can be determined by turning the equipment off and on, the user is encouraged to try to correct the interference by one or more of the following measures:

- Reorient or relocate the receiving antenna.
- Increase the separation between the equipment and receiver.
- Connect the equipment into an outlet on a circuit different from that to which the receiver is connected.
- Consult the dealer or an experienced radio/TV technician for help.

Caution: Changes or modifications not expressly approved by the party responsible for compliance could void the user's authority to operate the equipment.



This device complies with part 15 of the FCC Rules. Operation is subject to the following two conditions:

- (1) This device may not cause harmful interference, and
- (2) this device must accept any interference received, including interference that may cause undesired operation.

## CE Conformity

**CE** Products bearing the CE marking comply with one or more of the following EU Directives as may be applicable:

RED 2014/53/EU; Low Voltage Directive 2014/35/EU; EMC Directive 2014/30/EU; RoHS Directive 2011/65/EU.

Compliance with these directives is assessed using applicable European Harmonized Standards.

The point of contact for regulatory matters is MSI, MSI-NL Eindhoven 5706 5692 ER Son.

## KC인증서

- MAG B560 TOMAHAWK WIFI



상호: (주)엠에스아이코리아  
 제품명: 메인보드  
 모델명: 10-7D15  
 제조년월: 2021년

R-R-MSI-10-7D15 제조자 및 제조국가: MSI/중국

- MAG B560 TORPEDO



상호: (주)엠에스아이코리아  
 제품명: 메인보드  
 모델명: 20-7D15  
 제조년월: 2021년

R-R-MSI-20-7D15 제조자 및 제조국가: MSI/중국

## クラスB情報技術装置



この装置は、クラスB情報技術装置です。この装置は、家庭環境で使用することを目的としています。この装置がラジオやテレビジョン受信機に近接して使用されると、受信障害を引き起こすことがあります。取扱説明書に従って正しい取り扱いをして下さい。

VCCI-B

## C-Tick Compliance



N1996

## Battery Information

European Union:



Batteries, battery packs, and accumulators should not be disposed of as unsorted household waste. Please use the public collection system to return, recycle, or treat them in compliance with the local regulations.

Taiwan:



廢電池請回收

For better environmental protection, waste batteries should be collected separately for recycling or special disposal.

California, USA:



The button cell battery may contain perchlorate material and requires special handling when recycled or disposed of in California.

For further information please visit:

<http://www.dtsc.ca.gov/hazardouswaste/perchlorate/>

CAUTION: There is a risk of explosion, if battery is incorrectly replaced.

Replace only with the same or equivalent type recommended by the manufacturer.

## Chemical Substances Information

In compliance with chemical substances regulations, such as the EU REACH Regulation (Regulation EC No. 1907/2006 of the European Parliament and the Council), MSI provides the information of chemical substances in products at:

[https://storage-asset.msi.com/html/popup/csr/evmtrpt\\_pcm.html](https://storage-asset.msi.com/html/popup/csr/evmtrpt_pcm.html)

## Environmental Policy

- The product has been designed to enable proper reuse of parts and recycling and should not be thrown away at its end of life.
- Users should contact the local authorized point of collection for recycling and disposing of their end-of-life products.
- Visit the MSI website and locate a nearby distributor for further recycling information.
- Users may also reach us at [gpcontdev@msi.com](mailto:gpcontdev@msi.com) for information regarding proper Disposal, Take-back, Recycling, and Disassembly of MSI products.



## WEEE (Waste Electrical and Electronic Equipment) Statement

### ENGLISH

To protect the global environment and as an environmentalist, MSI must remind you that...



Under the European Union ("EU") Directive on Waste Electrical and Electronic Equipment, Directive 2002/96/EC, which takes effect on August 13, 2005, products of "electrical and electronic equipment" cannot be discarded as municipal wastes anymore, and manufacturers of covered electronic equipment will be obligated to take back such products at the end of their useful life. MSI will comply with the product take back requirements at the end of life of MSI-branded products that are sold into the EU. You can return these products to local collection points.

### DEUTSCH

Hinweis von MSI zur Erhaltung und Schutz unserer Umwelt Gemäß der Richtlinie 2002/96/EG über Elektro- und Elektronik-Altgeräte dürfen Elektro- und Elektronik-Altgeräte nicht mehr als kommunale Abfälle entsorgt werden. MSI hat europaweit verschiedene Sammel- und Recyclingunternehmen beauftragt, die in die Europäische Union in Verkehr gebrachten Produkte, am Ende seines Lebenszyklus zurückzunehmen. Bitte entsorgen Sie dieses Produkt zum gegebenen Zeitpunkt ausschliesslich an einer lokalen Altgerätesammelstelle in Ihrer Nähe.

### FRANÇAIS

En tant qu'écologiste et afin de protéger l'environnement, MSI tient à rappeler ceci... Au sujet de la directive européenne (EU) relative aux déchets des équipements électriques et électroniques, directive 2002/96/EC, prenant effet le 13 août 2005, que les produits électriques et électroniques ne peuvent être déposés dans les décharges ou tout simplement mis à la poubelle. Les fabricants de ces équipements seront obligés de récupérer certains produits en fin de vie. MSI prendra en compte cette exigence relative au retour des produits en fin de vie au sein de la communauté européenne. Par conséquent vous pouvez retourner localement ces matériels dans les points de collecte.

### РУССКИЙ

Компания MSI предпринимает активные действия по защите окружающей среды, поэтому напоминаем вам, что....

В соответствии с директивой Европейского Союза (ЕС) по предотвращению загрязнения окружающей среды использованным электрическим и электронным оборудованием (директива WEEE 2002/96/ЕС), вступающей в силу 13 августа 2005 года, изделия, относящиеся к электрическому и электронному оборудованию, не могут рассматриваться как бытовой мусор, поэтому производители вышеперечисленного электронного оборудования обязаны принимать его для переработки по окончании срока службы. MSI обязуется соблюдать требования по приему продукции, проданной под маркой MSI на территории ЕС, в переработку по окончании срока службы. Вы можете вернуть эти изделия в специализированные пункты приема.

### ESPAÑOL

MSI como empresa comprometida con la protección

del medio ambiente, recomienda:

Bajo la directiva 2002/96/EC de la Unión Europea en materia de desechos y/o equipos electrónicos, con fecha de rigor desde el 13 de agosto de 2005, los productos clasificados como "eléctricos y equipos electrónicos" no pueden ser depositados en los contenedores habituales de su municipio, los fabricantes de equipos electrónicos, están obligados a hacerse cargo de dichos productos al término de su periodo de vida. MSI estará comprometido con los términos de recogida de sus productos vendidos en la Unión Europea al final de su periodo de vida. Usted debe depositar estos productos en el punto limpio establecido por el ayuntamiento de su localidad o entregar a una empresa autorizada para la recogida de estos residuos.

### NEDERLANDS

Om het milieu te beschermen, wil MSI u eraan herinneren dat....

De richtlijn van de Europese Unie (EU) met betrekking tot Vervuiling van Electricische en Electronische producten (2002/96/EC), die op 13 Augustus 2005 in zal gaan kunnen niet meer beschouwd worden als vervuiling. Fabrikanten van dit soort producten worden verplicht om producten retour te nemen aan het eind van hun levenscyclus. MSI zal overeenkomstig de richtlijn handelen voor de producten die de merknaam MSI dragen en verkocht zijn in de EU. Deze goederen kunnen geretourneerd worden op lokale inzamelingspunten.

### SRPSKI

Da bi zaštitili prirodnu sredinu, i kao proizvođače koje vodi računa o okolini i prirodnoj sredini, MSI mora da vas podesti da....

Po Direktivi Evropske unije ("EU") o odbačenju elektonskoj i električnoj opremi, Direktiva 2002/96/EC, koja stupa na snagu od 13. Avgusta 2005, proizvodi koji spadaju pod "elektonsku i električnu opremu" ne mogu više biti odbačeni kao običan otpad i proizvođači ove opreme biće prinuđeni da uzmu natrag ove proizvode na kraju njihovog uobičajenog veka trajanja. MSI će poštovati zahtev o preuzimanju ovakvih proizvoda kojima je istekao vek trajanja, koji imaju MSI oznaku i koji su prodati u EU. Ove proizvode možete vratiti na lokalnim mestima za prikupljanje.

### POLSKI

Aby chronić nasze środowisko naturalne oraz jako firma dbająca o ekologię, MSI przypomina, że... Zgodnie z Dyrektywą Unii Europejskiej ("UE") dotyczącej odpadów produktów elektrycznych i elektronicznych (Dyrektywa 2002/96/EC), która wchodzi w życie 13 sierpnia 2005, tzw. "produkty oraz wyposażenie elektryczne i elektroniczne" nie mogą być traktowane jako śmieci komunalne, tak więc producenci tych produktów będą zobowiązani do odbierania ich w momencie gdy produkt jest wycofywany z użycia. MSI wypetni wymagania UE, przyjmując produkty (sprzedawane na terenie Unii Europejskiej) wycofywane z użycia. Produkty MSI będzie można zwracać w wyznaczonych punktach zbiorczych.

### TÜRKÇE

Çevreci özelliğiyle bilinen MSI dünyada çevreyi korumak için hatırlatır: Avrupa Birliği (AB) Kararnamesi Elektrik ve Elektronik Malzeme Atığı, 2002/96/EC Kararnamesi altında 13 Ağustos 2005 tarihinden itibaren geçerli olmak üzere, elektrikli ve elektronic malzemeler diğer atıklar gibi çöpe atılmayacak ve bu elektronic cihazların

üreticileri, cihazların kullanım süreleri bittikten sonra ürünleri geri toplamakla yükümlü olacaktır. Avrupa Birliği'ne satılan MSI markalı ürünlerin kullanım süreleri bittiğinde MSI ürünlerin geri alınması isteği ile işbirliği içerisinde olacaktır. Ürünlerinizi yerel toplama noktalarına bırakabilirsiniz.

#### ČESKY

Záleží nám na ochraně životního prostředí - společnost MSI upozorňuje...

Podle směrnice Evropské unie ("EU") o likvidaci elektrických a elektronických výrobků 2002/96/EC platné od 13. srpna 2005 je zakázáno likvidovat "elektrické a elektronické výrobky" v běžném komunálním odpadu a výrobci elektronických výrobků, na které se tato směrnice vztahuje, budou povinni odebírat takové výrobky zpět po skončení jejich životnosti. Společnost MSI splní požadavky na odebrání výrobků značky MSI, prodávaných v zemích EU, po skončení jejich životnosti. Tyto výrobky můžete odevzdat v místních sběrnách.

#### MAGYAR

Annak érdekében, hogy környezetünket megvédjük, illetve környezetvédeként fellépve az MSI emlékezteti Önt, hogy ...

Az Európai Unió („EU”) 2005. augusztus 13-án hatályba lépő, az elektromos és elektronikus berendezések hulladékairól szóló 2002/96/EK irányelve szerint az elektromos és elektronikus berendezések többé nem kezelhetőek lakossági hulladékként, és az ilyen elektronikus berendezések gyártói kötelessé válnak az ilyen termékek visszavételére azok hasznos élettartama végén. Az MSI betartja a termékvisszavételre kapcsolatos követelményeket az MSI márkanév alatt az EU-n belül értékesített termékek esetében, azok élettartamának végén. Az ilyen termékek a legközelebbi gyűjtőhelyre viheti.

#### ITALIANO

Per proteggere l'ambiente, MSI, da sempre amica della natura, ti ricorda che...

In base alla Direttiva dell'Unione Europea (EU) sullo Smaltimento dei Materiali Elettrici ed Elettronici, Direttiva 2002/96/EC in vigore dal 13 Agosto 2005, prodotti appartenenti alla categoria dei Materiali Elettrici ed Elettronici non possono più essere eliminati come rifiuti municipali: i produttori di detti materiali saranno obbligati a ritirare ogni prodotto alla fine del suo ciclo di vita. MSI si adeguerà a tale Direttiva ritirando tutti i prodotti marchiati MSI che sono stati venduti all'interno dell'Unione Europea alla fine del loro ciclo di vita. È possibile portare i prodotti nel più vicino punto di raccolta

## 日本JIS C 0950材質宣言

日本工業規格JIS C 0950により、2006年7月1日以降に販売される特定分野の電気および電子機器について、製造者による含有物質の表示が義務付けられます。

[https://storage-asset.msi.com/html/popup/csr/cemm\\_jp.html](https://storage-asset.msi.com/html/popup/csr/cemm_jp.html)

## India RoHS

This product complies with the "India E-waste (Management and Handling) Rule 2011" and prohibits use of lead, mercury, hexavalent chromium, polybrominated biphenyls or polybrominated diphenyl ethers in concentrations exceeding 0.1 weight % and 0.01 weight % for cadmium, except for the exemptions set in Schedule 2 of the Rule.

## Türkiye EEE yönetmeliği

Türkiye Cumhuriyeti: EEE Yönetmeliğine Uygundur

## Україна обмеження на наявність небезпечних речовин

Обладнання відповідає вимогам Технічного регламенту щодо обмеження використання деяких небезпечних речовин в електричному та електронному обладнанні, затвердженого постановою Кабінету Міністрів України від 3 грудня 2008 № 1057.

## Việt Nam RoHS

Kể từ ngày 01/12/2012, tất cả các sản phẩm do công ty MSI sản xuất tuân thủ Thông tư số 30/2011/TT-BCT quy định hạn thời về giới hạn hàm lượng cho phép của một số hóa chất độc hại có trong các sản phẩm điện, điện tử

## Wireless Radio Use

This device is restricted to indoor use when operating in the 2.4GHz, 5GHz frequency band.

Cet appareil doit être utilisé à l'intérieur.

당해 무선설비는 운용중 전파혼신 가능성이 있음.

この製品は、周波数帯域 2.4GHz, 5GHz で動作するときは、屋内においてのみ使用可能です。

### NCC無線設備警告聲明

工作頻率2.4GHz, 5GHz該頻段限於室內使用。

經型式認證合格之低功率射頻電機，非經許可，公司、商號或使用者均不得擅自變更頻率、加大功率或變更原設計之特性及功能。

低功率射頻電機之使用不得影響飛航安全及干擾合法通信；經發現有干擾現象時，應立即停用，並改善至無干擾時方得繼續使用。前項合法通信，指依電信法規定作業之無線電通信。低功率射頻電機須忍受合法通信或工業、科學及醫療用電波輻射性電機設備之干擾。

### Products with radio functionality (EMF)

This product incorporates a radio transmitting and receiving device. For computers in normal use, a separation distance of 20 cm ensures that radio frequency exposure levels comply with EU requirements. Products designed to be operated at closer proximities, such as tablet computers, comply with applicable EU requirements in typical operating positions. Products can be operated without maintaining a separation distance unless otherwise indicated in instructions specific to the product.

### Restrictions for products with radio functionality


CAUTION: IEEE 802.11x wireless LAN with 5.15-5.35 GHz frequency band is restricted for indoor use only in all European Union member states, EFTA (Iceland, Norway, Liechtenstein), and most other European countries (e.g., Switzerland, Turkey, Republic of Serbia). Using this WLAN application outdoors might lead to interference issues with existing radio services.



### Radio frequency bands and maximum power levels

Features	:802.11 a/b/g/n/ac/ax, BT
Frequency Range	:2.4GHz, 5GHz, 6GHz
Modulation	:FHSS, DSSS, OFDM
Power Output	:10, 20, 23
Channel Band Width	:1, 5, 20, 40, 80, 160MHz

## MS-7D15主板产品中有害物质的名称及含量

部件名称	有害物质					
	铅 [Pb]	汞 [Hg]	镉 [Cd]	六价铬 [Cr(VI)]	多溴联苯 [PBB]	多溴二苯醚 [PBDE]
印刷电路板组件*	×	○	○	○	○	○
电池** 	×	○	○	○	○	○
外部信号连接头	×	○	○	○	○	○
线材	×	○	○	○	○	○

本表格依据 SJ/T 11364 的规定编制。

○: 表示该有害物质在该部件所有均质材料中的含量均在 GB/T 26572 规定的限量要求以下。

×: 表示该有害物质至少在该部件的某一均质材料中的含量超出 GB/T 26572 规定的限量要求,但所有部件都符合欧盟RoHS要求。

\* 印刷电路板组件: 包括印刷电路板及其构成的零部件。

\*\* 电池本体上如有环保使用期限标识,以本体标识为主。

■ 上述有毒有害物质或元素清单会依型号之部件差异而有所增减。

■ 产品部件本体上如有环保使用期限标识,以本体标识为主。

## 限用物質含有情況標示聲明書

設備名稱:電腦主機板		型號(型式):MS-7D15					
單元	限用物質及其化學符號						
	鉛 [Pb]	汞 [Hg]	鎘 [Cd]	六價鉻 [Cr <sup>VI</sup> ]	多溴聯苯 [PBB]	多溴二苯醚 [PBDE]	
電路板	○	○	○	○	○	○	
電子元件	—	○	○	○	○	○	
金屬機構件	—	○	○	○	○	○	
塑膠機構件	○	○	○	○	○	○	

備考1. “超出0.1 wt %”及“超出0.01 wt %”係指限用物質之百分比含量超出百分比含量基準值。

備考2. “○”係指該項限用物質之百分比含量未超出百分比含量基準值。

備考3. “—”係指該項限用物質為排除項目。

### Copyright

**msi** Micro-Star Int'l Co., Ltd.

Copyright © 2020 All rights reserved.

The MSI logo used is a registered trademark of Micro-Star Int'l Co., Ltd. All other marks and names mentioned may be trademarks of their respective owners. No warranty as to accuracy or completeness is expressed or implied. MSI reserves the right to make changes to this document without prior notice.

### Revision History

Version 1.0, 2021/03, First release.

### Technical Support

If a problem arises with your system and no solution can be obtained from the user guide, please contact your place of purchase or local distributor. Alternatively, please try the following help resources for further guidance.

- Visit the MSI website for technical guide, BIOS updates, driver updates, and other information: <http://www.msi.com>
- Register your product at: <http://register.msi.com>

