



C2G[®]
A brand of **legrand**[®]

DATA SHEET

Thunderbolt™ 3 USB-C® to Thunderbolt Mini DisplayPort™ Adapter Converter

Connect first-generation Thunderbolt and Thunderbolt 2 devices to a Thunderbolt 3 computer

OVERVIEW

The Thunderbolt 3 USB-C to Thunderbolt Mini DisplayPort Adapter Converter is the perfect solution for connecting a Thunderbolt 3 laptop to an older Thunderbolt Gen 1 or Gen 2 display or device.

Deliver data transfers at a rate up to 20Gbps, which is fully backward compatible with Thunderbolt Gen 1 and Gen 2 devices. This adapter is an ideal solution to transfer large amounts of information, such as high resolution photos or videos from Thunderbolt Gen 1 or Gen 2 storage devices, to your Thunderbolt 3 laptop.

The adapter's USB-C connector is smaller than traditional USB connectors. It features a symmetrical design that allows you to connect it on the first try. Additionally, the durability of the USB-C connector allows for up to 10,000 connection cycles. The dongle style reduces strain on the host laptop's USB-C port, preventing extra weight and pressure from damaging the port.

Note: The adapter supports a single direction, which means that you must have a Thunderbolt 3 host device, like a laptop connected to legacy Thunderbolt Gen 1 or Gen 2 displays and devices.

FEATURES

- Connect older Thunderbolt Gen 1 and Gen 2 devices to a Thunderbolt 3 computer
- Compatible with Thunderbolt Gen 1 and Gen 2 displays and devices
- Supports Thunderbolt 2 data transfer rates up to 20Gbps
- Reversible, symmetrical USB-C connector
- Dongle-style adapter, which reduces strain on the connected USB-C port
- Single direction, will not connect Thunderbolt 3 peripherals to Thunderbolt 1 or 2 computers

ITEM DESCRIPTION

C2G29514 Thunderbolt 3 USB-C to Thunderbolt Mini DisplayPort Adapter Converter

SIGNAL SPECIFICATIONS

- Supports Thunderbolt 2 Data Transmission Rates up to 20Gbps

ELECTRICAL SPECIFICATIONS

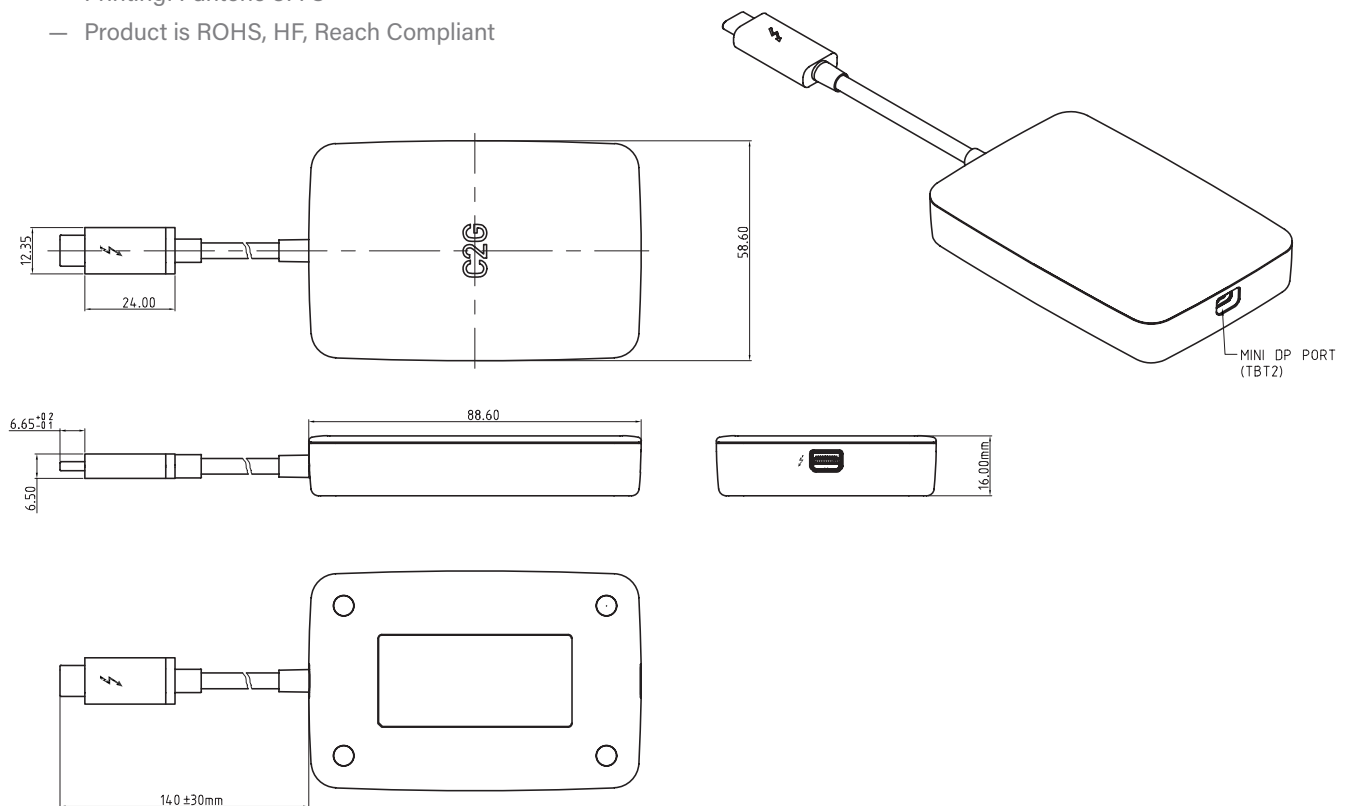
- Operating Voltage: VBUS: 5V
- Power Consumption: Under 2W
- Current Delivery Capacity: 3A (Max) @ VBUS = 5V

PHYSICAL SPECIFICATIONS

- Operating Temperature: 0°C to +55°C
- Storage Temperature: -20°C to +85°C

PHYSICAL CHARACTERISTICS

- Housing: Pantone Black C
- Printing: Pantone 877C
- Product is ROHS, HF, Reach Compliant



LEGRAND | AV COMMERCIAL BRANDS

C2G | Chief | Da-Lite | Luxul | Middle Atlantic | Vaddio | Wiremold

SIMPLIFIED CONNECTIVITY

USA 800.506.9607 | c2g.com | legrandav.com | customer-service@c2g.com

EMEA +31 495 580 840 | c2g.com/uk | legrandav.com | c2g.emea@av.legrand.com

©2021 Legrand AV Inc. 210437 Rev 0 7/21 C2G is a registered trademark of Legrand AV Inc. All other brand names or marks are used for identification purposes and are trademarks of their respective owners. All patents are protected under existing designations. Other patents pending.