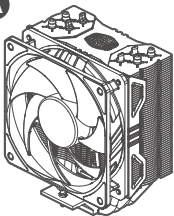




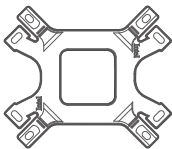
HYPER 212 EVO V2

MANUAL

01. Package Content

A

x1

B

x1

C

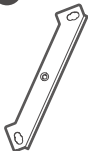
x4

D

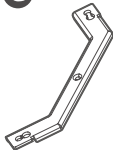
x4

E

x1

F

x2

G

x2

H

x4

I

x4

J

x4

K

x4

L

x4

M

x2

N

x4

O

x4

P

x1

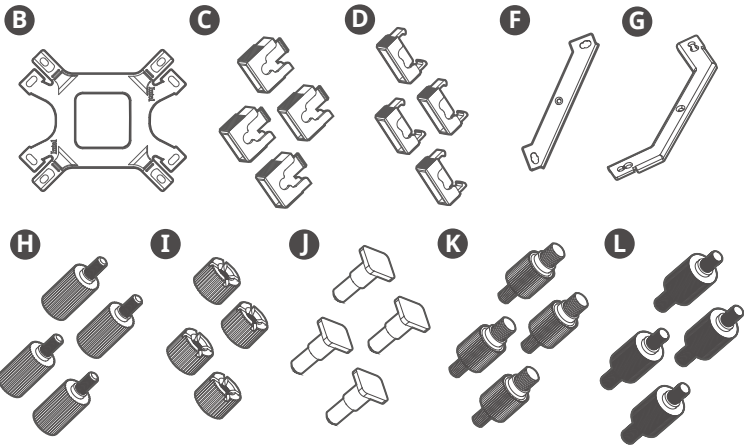
02. Intel & AMD

Intel LGA 1700/1200/115X: B,C,F,H,I,J

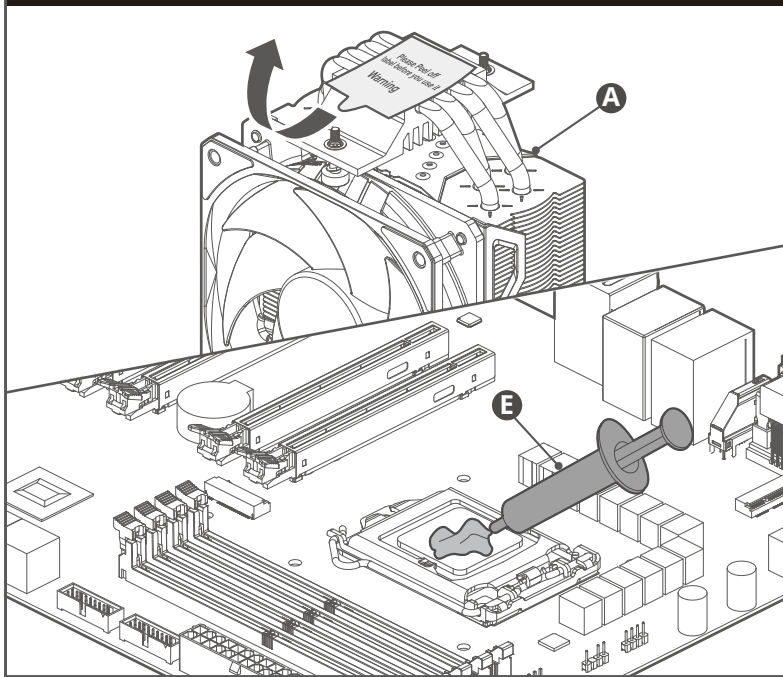
Intel LGA 2066/2011-v3/2011: F,I,K

AM4/AM3+/AM3/AM2+/AM2/FM2+/FM2/FM1: B,D,G,H,I,J

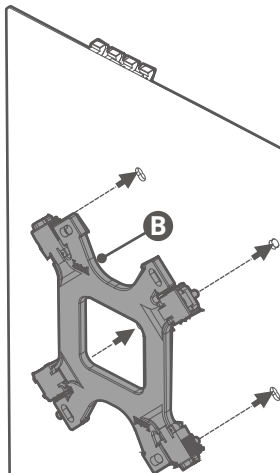
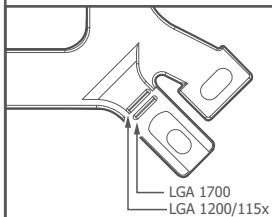
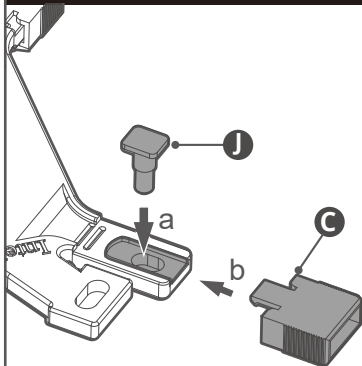
AM5: G,I,L



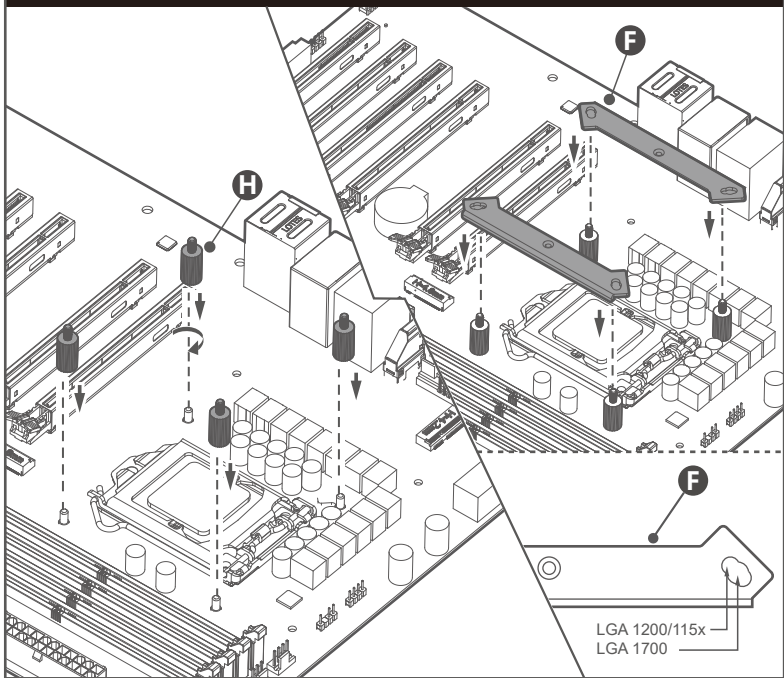
03. Intel & AMD



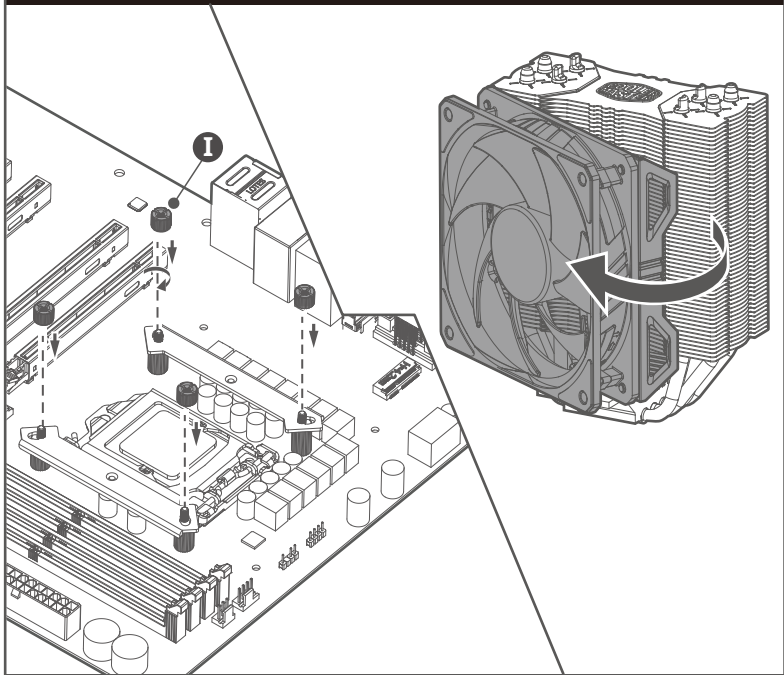
04. Intel - LGA 1700/1200/115x



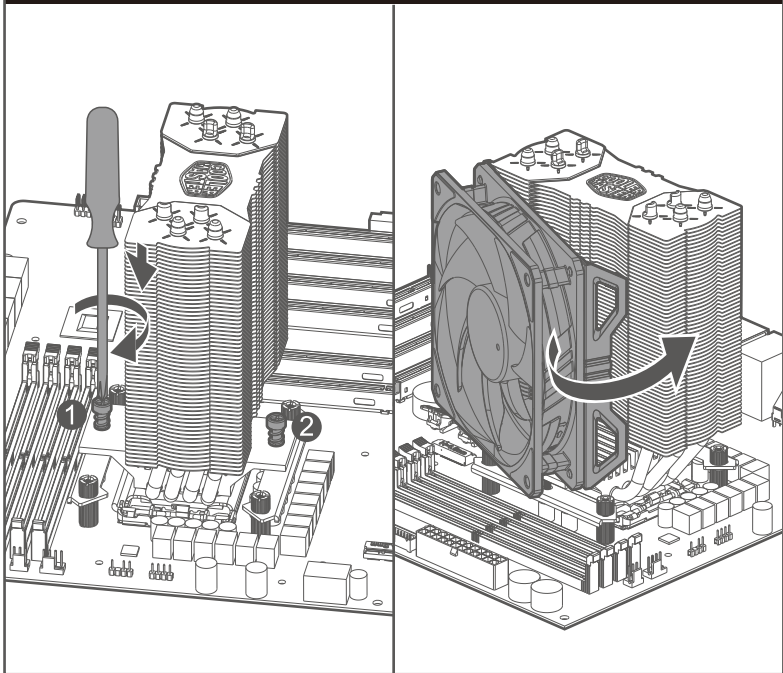
05. Intel - LGA 1700/1200/115x



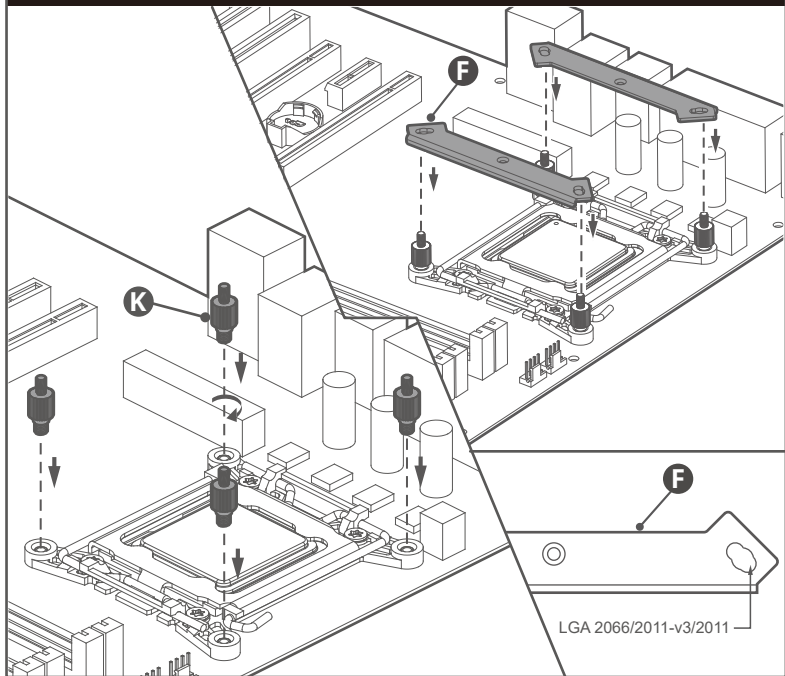
06. Intel - LGA 1700/1200/115x



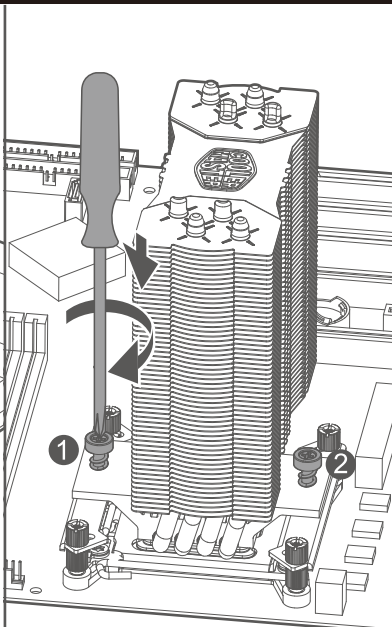
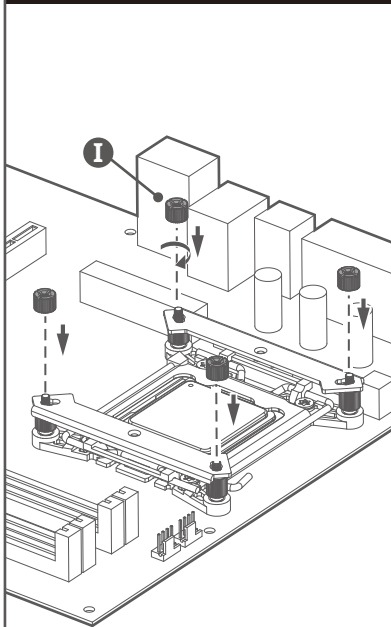
07. Intel - LGA 1700/1200/115x



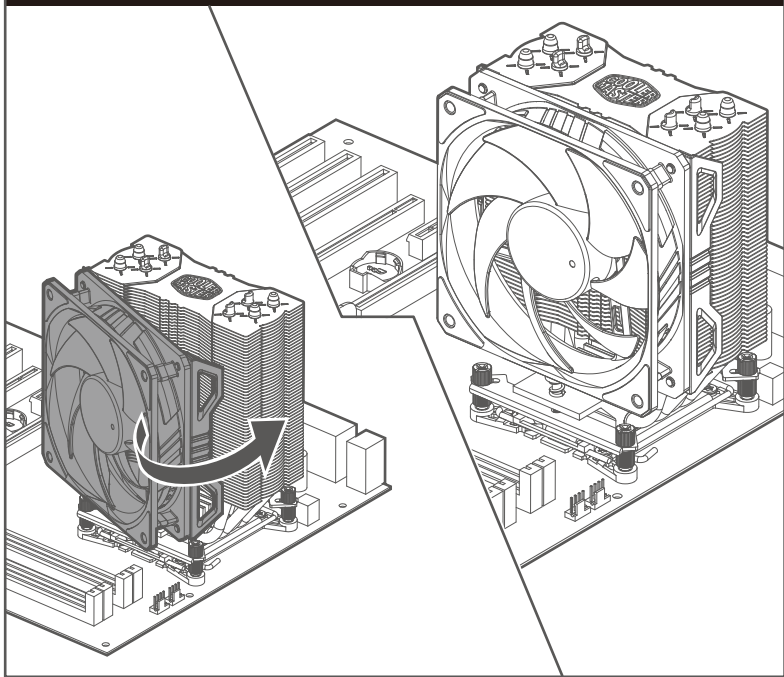
08. Intel - LGA 2066/2011-v3/2011



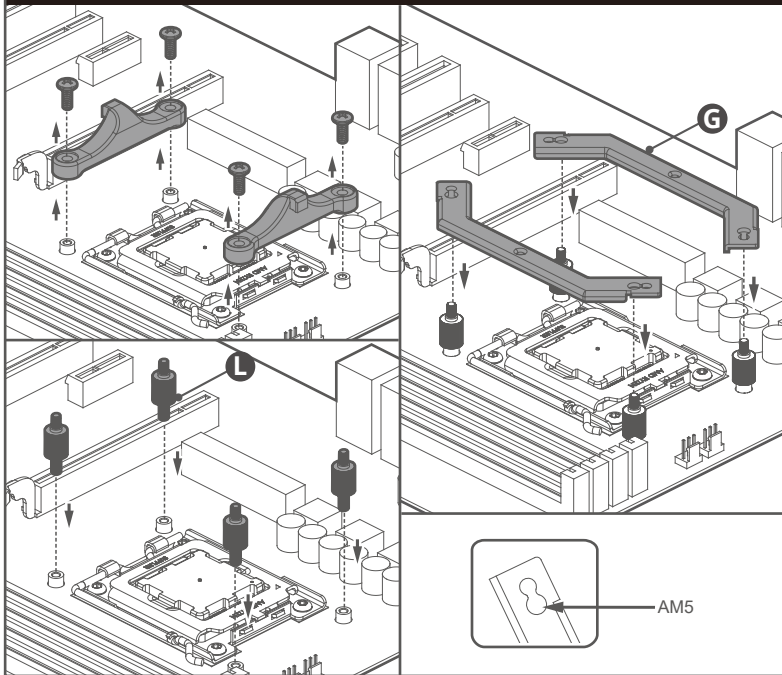
09. Intel - LGA 2066/2011-v3/2011



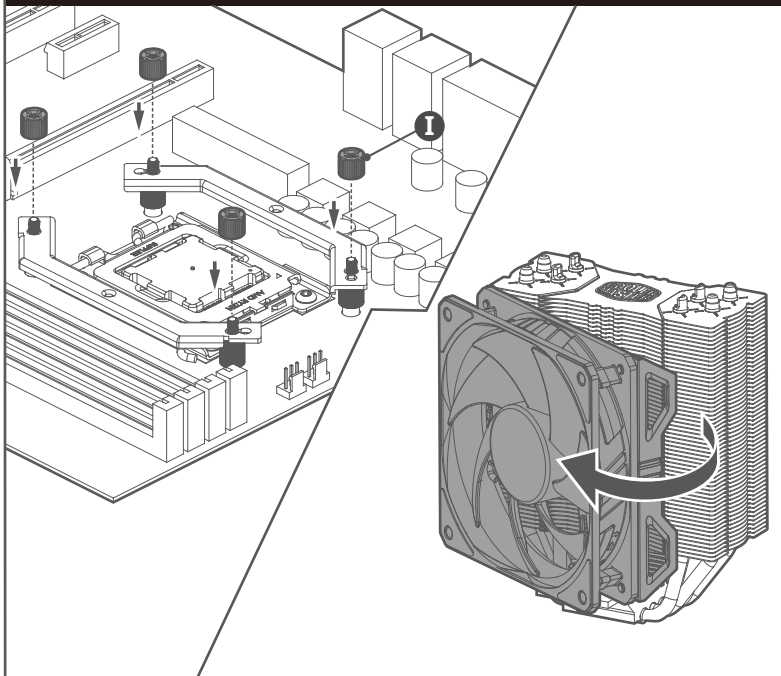
10. Intel - LGA 2066/2011-v3/2011



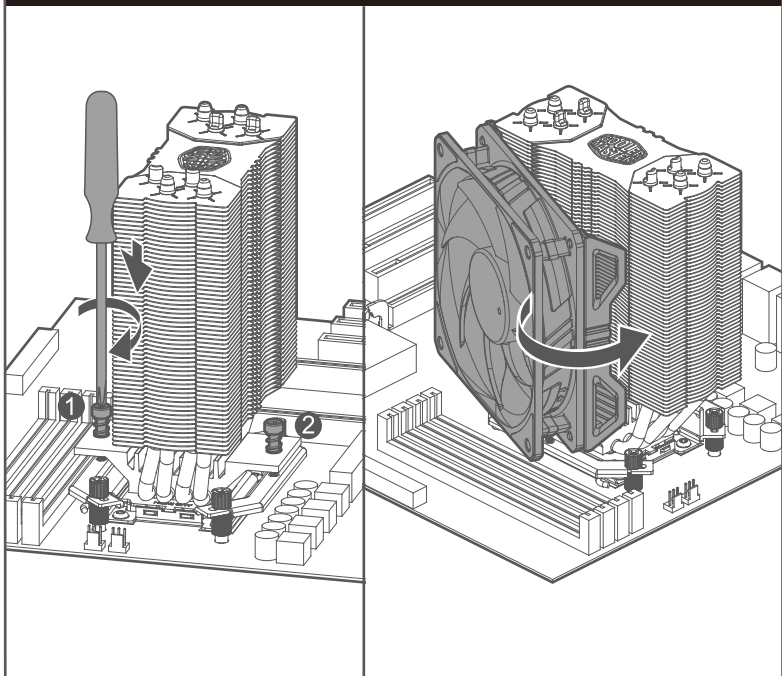
11. AMD AM5



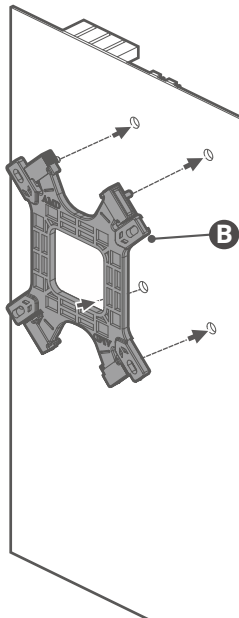
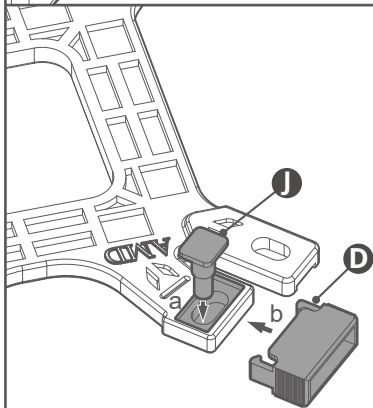
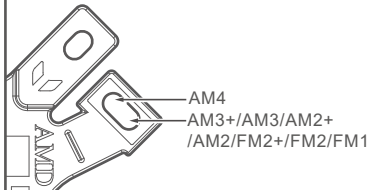
12. AMD AM5



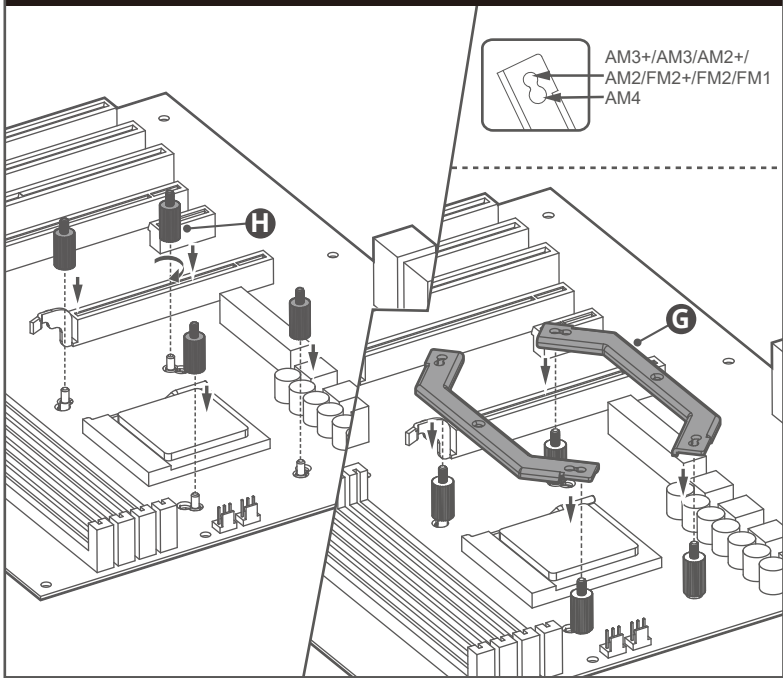
13. AMD AM5



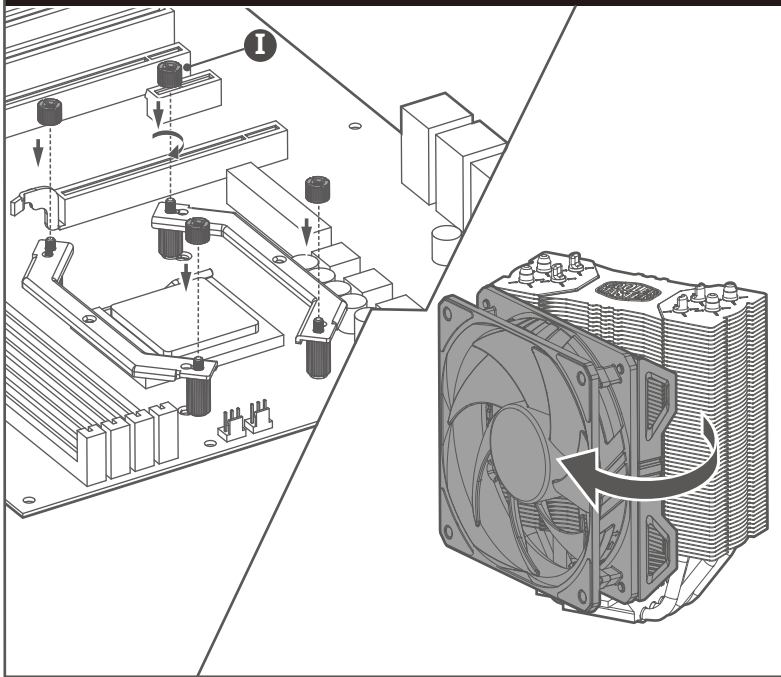
14. AMD AM4/AM3+/AM3/AM2+/AM2/FM2+/FM2/FM1



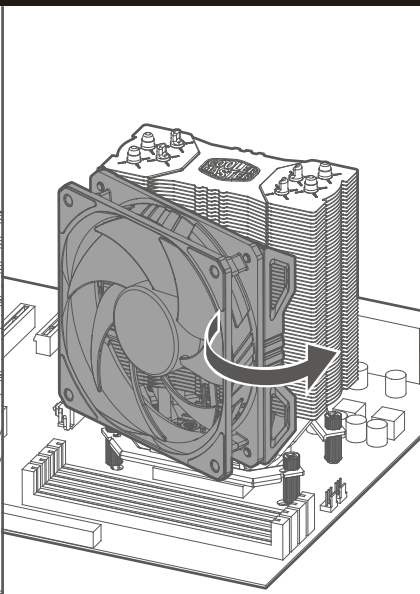
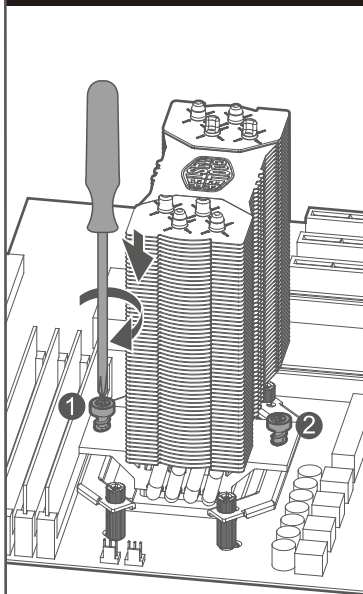
15. AMD AM4/AM3+/AM3/AM2+/AM2/FM2+/FM2/FM1



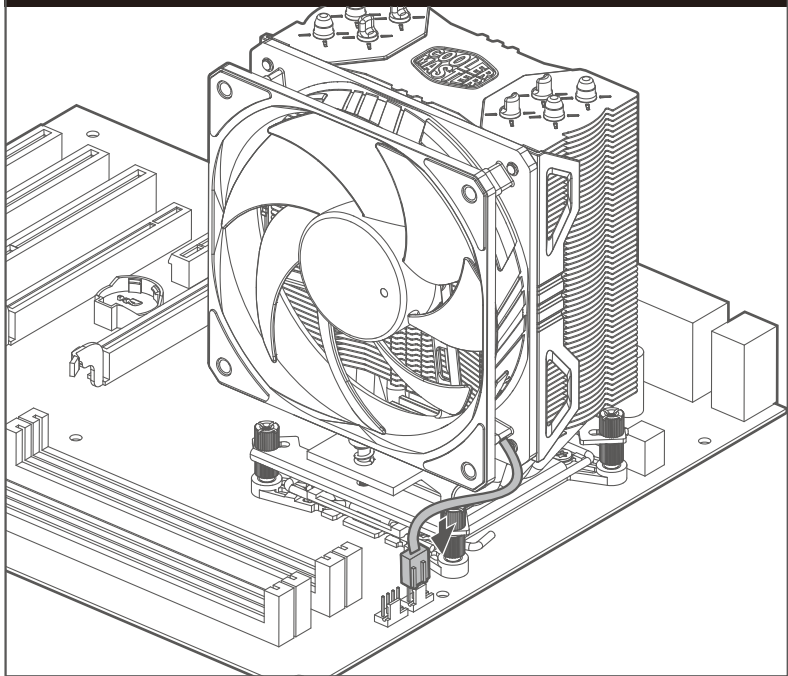
16. AMD AM4/AM3+/AM3/AM2+/AM2/FM2+/FM2/FM1



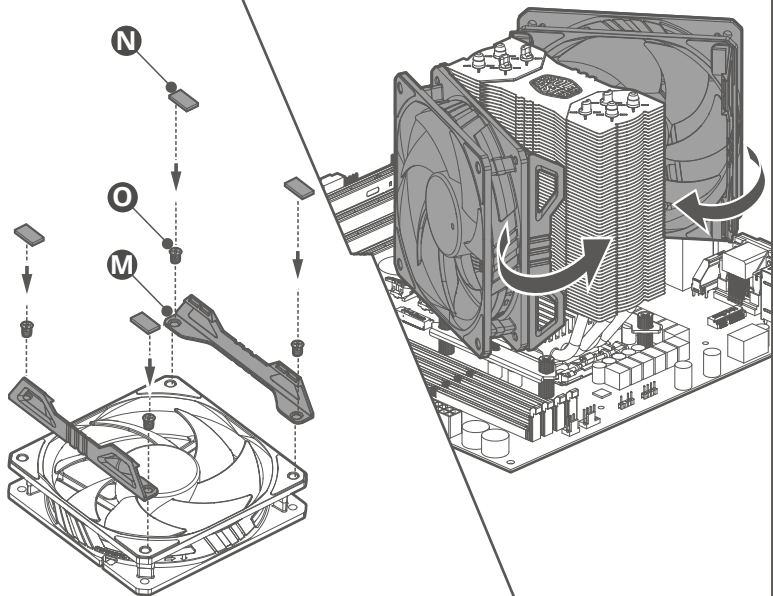
17. AMD AM4/AM3+/AM3/AM2+/AM2/FM2+/FM2/FM1



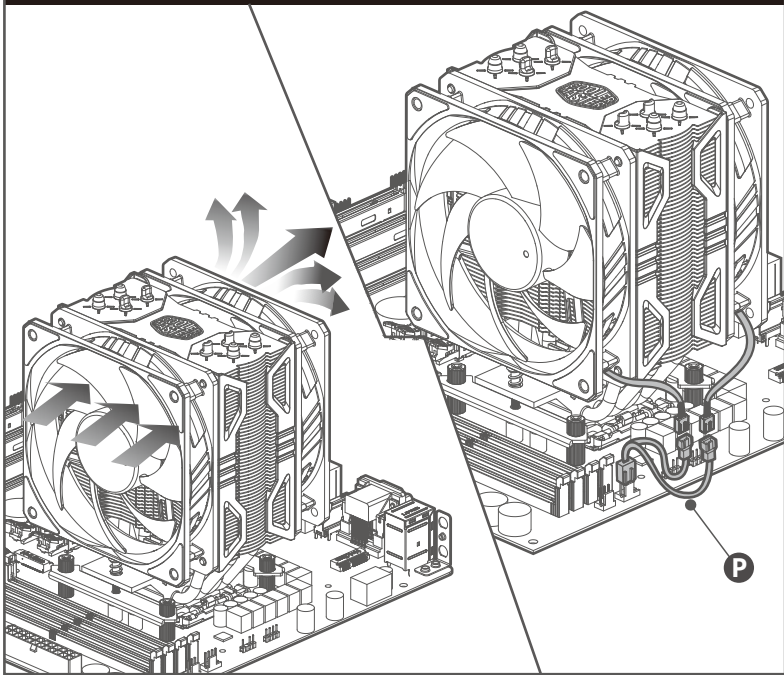
18. Intel & AMD



19. The 2nd fan is optional



20. The 2nd fan is optional



Please visit our website at www.coolermaster.com

China - Cooler Master China

Room 112, Building 9, No. 327, Songjin Road, Jinshanwei Town, Jinshan Dist.,
Shanghai City, China
Tel: +86-21-51872177

Europe - Cooler Master Europe B.V.

Lodewijkstraat 1b, 5652AC Eindhoven, The Netherlands
Tel: +31- (0)40- 702- 0900

North America - CMI USA, Inc.

1 N Indian Hill Blvd Suite 200, Claremont, CA 91711, USA
Tel: +1-888-624-5099

For the most updated information, please visit our official website: www.coolermaster.com
Cooler Master Support: <https://account.coolermaster.com/>



512004852-GP Ver 2.0 2022/09

©2022 Cooler Master Technology Inc. All Rights Reserved. All trademarks are registered to their respective owners.