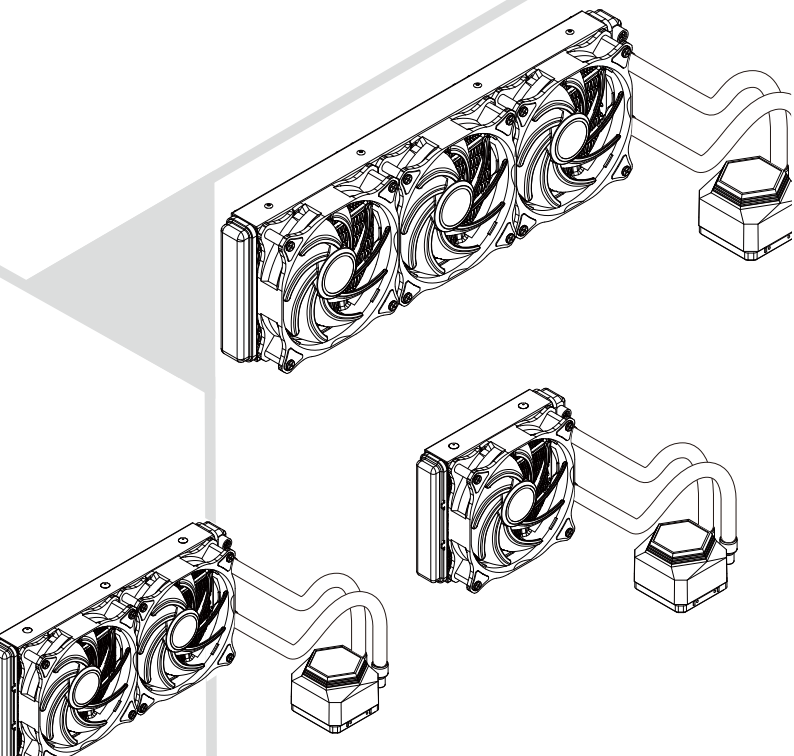
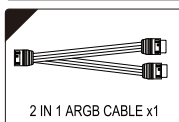
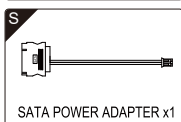
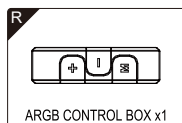
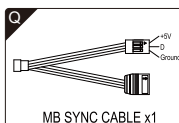
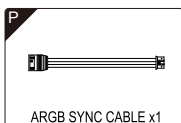
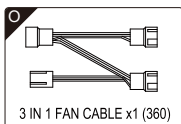
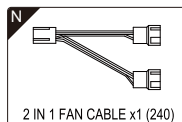
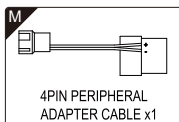
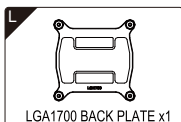
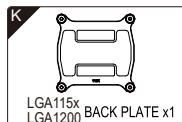
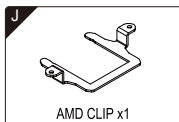
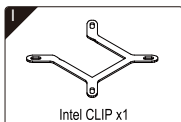
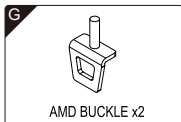
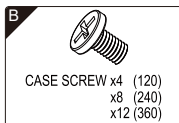
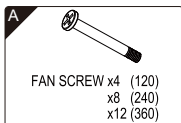


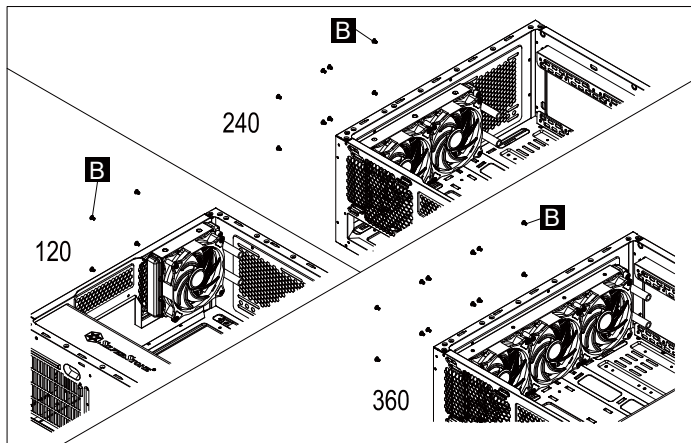
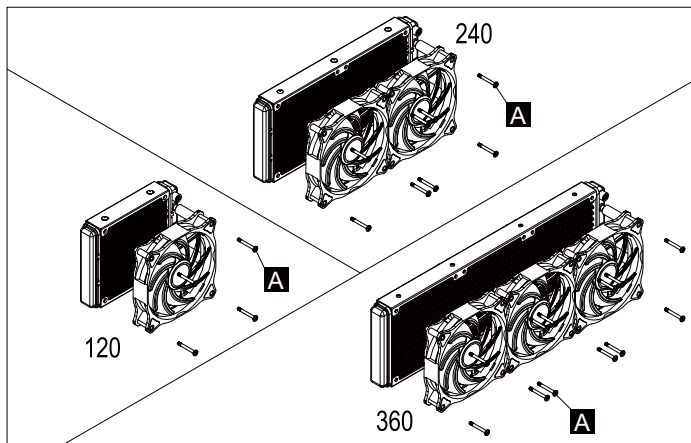


SILVERSTONE

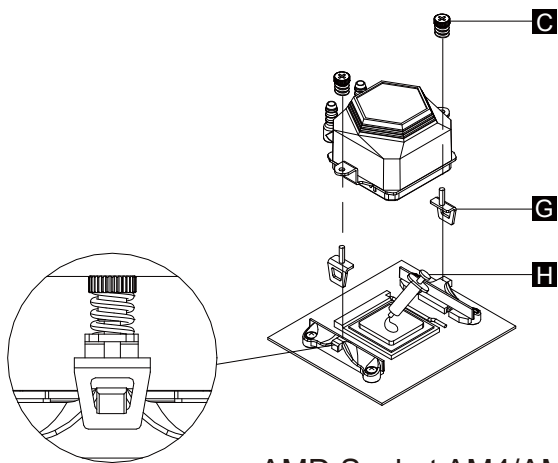
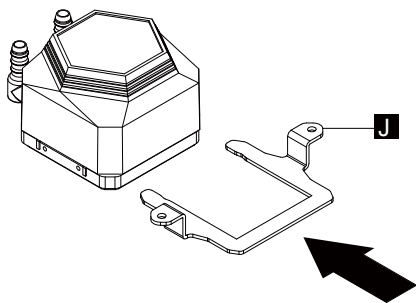
Permafrost series liquid cooling user's manual





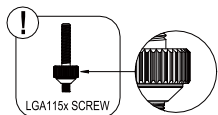
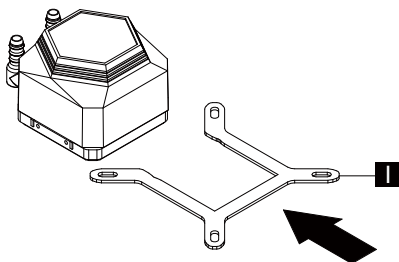


AMD

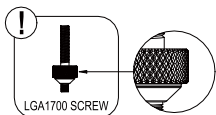


AMD Socket AM4/AM3

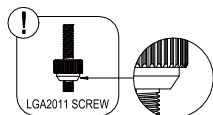
INTEL



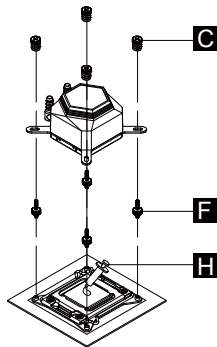
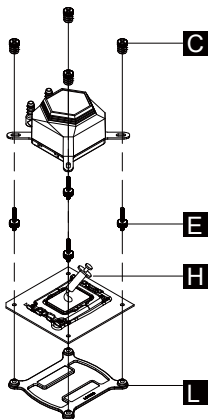
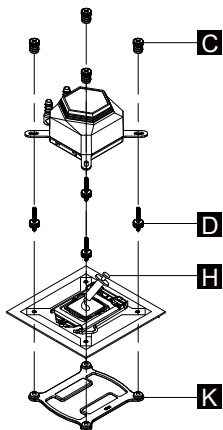
LGA115x SCREW



LGA1700 SCREW



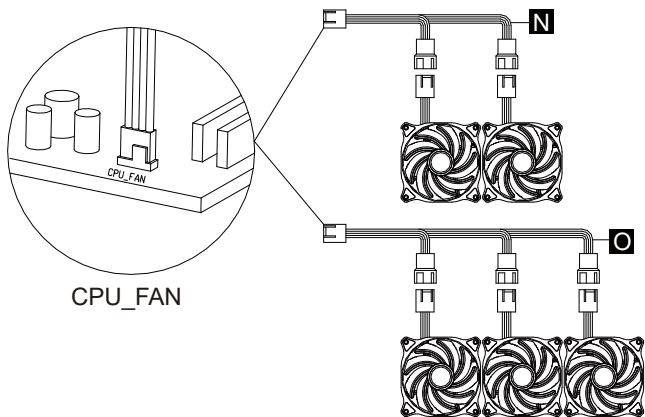
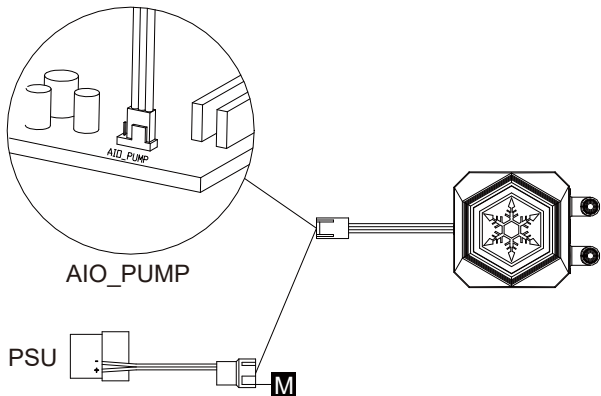
LGA2011 SCREW



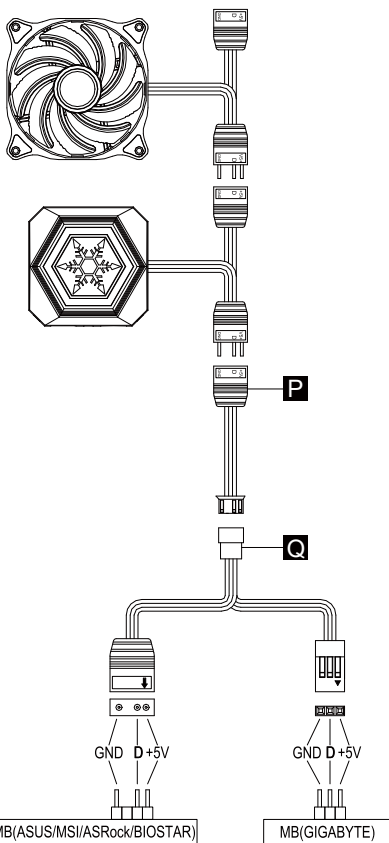
Intel LGA 115x / 1200

Intel LGA 1700

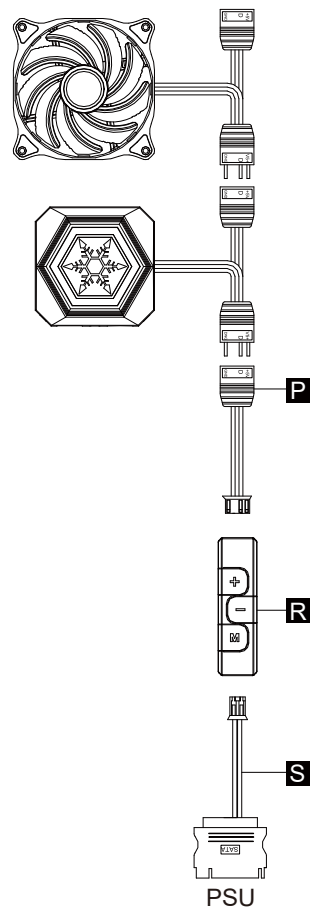
Intel LGA 2011 / 2066



MOTHERBOARD SYNC



ARGB CONTROL BOX



PLEASE CONFIRM THE CONNECTOR, THE DEFINITION AND DIRECTION OF YOUR PIN HEADER WHEN CONNECTING CABLES.

ENSURE ARGB CONTROLLER/MOTHERBOARD HAS SAME +5V PIN DEFINITION AS PF120/PF240/PF360.

SilverStone Technology Co., Ltd.

www.silverstonetek.com

support@silverstonetek.com

NO.G11238591