

CH-506TX/RX

HDMI over CAT5e/6/7 Transmitter & Receiver



The HDMI with RS-232 over Single CAT5e/CAT6 transmitter and receiver set can send uncompressed audio/video over a single run of CAT5e/6 cable up to 100 m and has the added benefit of control through the built-in RS-232 and IR ports.

TX PANELS



Front View



Rear View

RX PANELS

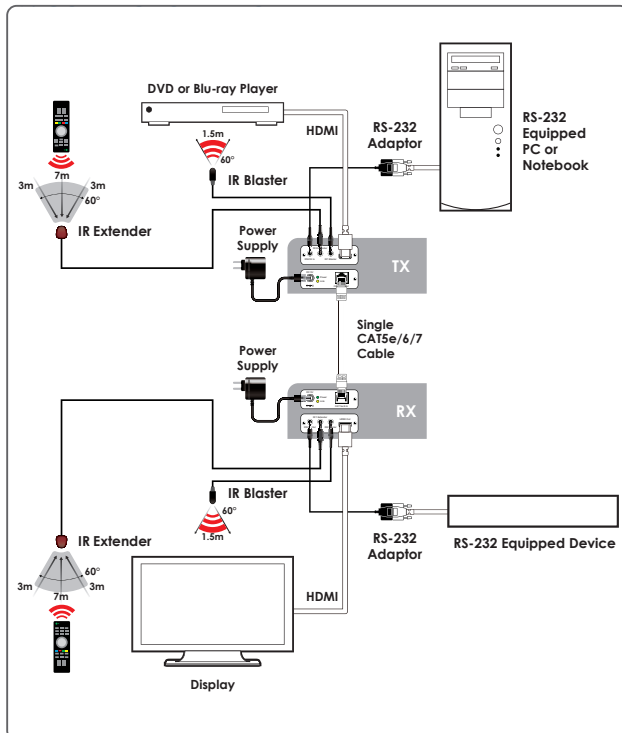


Front View



Rear View

DIAGRAM



FEATURES

- HDMI 1.4 including 3D, 4kx2k supports, HDCP and DVI Compliant
- Supports HDCP repeater and CEC function
- Simultaneous transmission of uncompressed data over a single CAT6/ CAT5e cable up to 100 m/328 ft
- Uncompressed video 1080p, 60 Hz, 36-bit
- Audio support up to LPCM 7.1CH, Dolby TrueHD and DTS-HD Master Audio
- 3Play™ convergence: HDMI & Control (IR & RS-232)
- Installation friendly

Note: This system was tested with CAT6/23AWG cable. Results may vary with cables of different specifications.

SPECIFICATIONS

Interfaces

Input Port	TX
	1xHDMI
	1xIR Extender
	1xRS-232
Output Port	RX
	1xCAT5e/6
	1xIR Extender

Output Port	TX
	1xCAT5e/6
	1xIR Blaster
Output Port	RX
	1xHDMI
	1xRS-232
	1xIR Blaster

Power

Power Consumption	3 W (TX), 6 W (RX)
--------------------------	--------------------

Enclosure

Chassis Material	Aluminum
Chassis Color	Black
Dimensions (W×H×D)	71 mm (W)×79 mm (D)×23 mm (H)
Weight	240 g (TX), 245 g (RX)

ORDERING INFORMATION

Model No.	Product Description
CH-506TX & RX	HDMI over CAT5e/6/7 Transmitter & Receiver