

Installation Guide

16-Port Gigabit Ethernet Unmanaged Switch Model GS116v2



Package Contents

- Gigabit Ethernet switch
- Power adapter (varies by region)
- Installation guide

Note: You can wall mount the switch. A wall-mount kit is not included.

1. Register with the NETGEAR Insight app

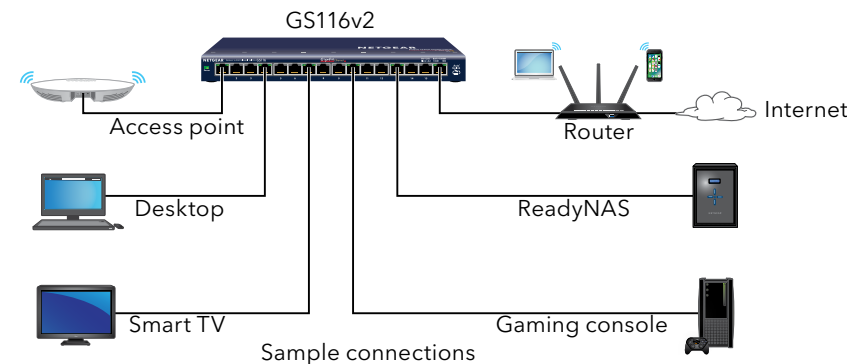
Use the NETGEAR Insight App to register your switch, activate your warranty, and access support.

1. On your iOS or Android mobile device, visit the app store, search for NETGEAR Insight, and download the latest app.



2. Open the NETGEAR Insight app.
3. If you did not set up a NETGEAR account, tap **Create NETGEAR Account** and follow the onscreen instructions.
4. Tap the menu in the upper-left corner to open it.
5. Tap **REGISTER ANY NETGEAR DEVICE**.
6. Enter the serial number located on the bottom of the switch, or use the camera on your mobile device or tablet to scan the serial number bar code.
7. Tap **Go**.
8. Tap **View Device** to add the switch to a network.
The switch is registered and added to your account.

2. Connect the switch



3. Check the LEDs

When you connect the power adapter to the switch and plug it into an electrical outlet, the LEDs indicate the status.

LED	Description
Power	<ul style="list-style-type: none">• On. The switch is receiving power.• Off. The switch is not receiving power.
Port (left and right)	<ul style="list-style-type: none">• Both LEDs are solid green. 1000 Mbps link on this port.• Left LED is solid green. 100 Mbps link on this port.• Right LED is solid green. 10 Mbps link on this port.• Blinking green. The port is sending or receiving traffic.• Off. The switch does not detect a link on this port.

Technical Specifications

Specifications	Description
Network interface	RJ-45 connector for 10BASE-T, 100BASE-TX, or 1000BASE-T
Network cable	We recommend that you use Category 5e (Cat 5e) cable or higher for Gigabit Ethernet connections.
Ports	16
Power adapter	12W max. and 12V@ 1A DC input
Power consumption	9.5W max
Weight	1.973 lb. (895 g)
Dimensions (W x D x H)	11.26 in. x 3.98 in. x 1.06 in (286 mm x 101 mm x 27 mm)
Operating temperature	32 to 122° F (0 to 50° C)
Operating humidity	10% to 90% relative humidity, non-condensing

Support

Thank you for purchasing this NETGEAR product. You can visit <https://www.netgear.com/support/> to register your product, get help, access the latest downloads and user manuals, and join our community. We recommend that you use only official NETGEAR support resources.

Si ce produit est vendu au Canada, vous pouvez accéder à ce document en français canadien à <https://www.netgear.com/support/download/>. (If this product is sold in Canada, you can access this document in Canadian French at <https://www.netgear.com/support/download/>.)

For regulatory compliance information including the EU Declaration of Conformity, visit <https://www.netgear.com/about/regulatory/>.

See the regulatory compliance document before connecting the power supply.

Do not use this device outdoors. If you connect cables or devices that are outdoors to this device, see <https://kb.netgear.com/000057103> for safety and warranty information.



201-24916-01

June 2019

© NETGEAR, Inc., NETGEAR and the NETGEAR Logo are trademarks of NETGEAR, Inc. Any non-NETGEAR trademarks are used for reference purposes only.

NETGEAR, Inc.
350 East Plumeria Drive
San Jose, CA 95134, USA



NETGEAR INTERNATIONAL LTD
Floor 1, Building 3,
University Technology Centre
Curraheen Road, Cork,
T12EF21, Ireland