

# Wine cooler

## OWNER'S MANUAL

**PHILCO**



*Famous for Quality the World Over*

**PW 17 GDFB**

**PW 32 GD**

**PW 38 GDFB**

**PW 46 GDFB**

**PW 166 GD**

**Thank you very much for buying this product.**

**Before using your new refrigerator, please read this operation manual to ensure that you gain the maximum benefit from it.**

# CONTENTS

<b>SAFETY PRECAUTIONS.....</b>	<b>3</b>
<b>DESCRIPTION OF APPLIANCE AND INSTALLATION .....</b>	<b>7</b>
<b>ACCESSORY INSTALLATION BEFORE OPERATING.....</b>	<b>12</b>
<b>OPERATING THE WINE COOLER.....</b>	<b>13</b>
<b>CARE AND MAINTENANCE.....</b>	<b>20</b>
<b>TROUBLESHOOTING.....</b>	<b>23</b>
<b>REVERSE THE DOOR SWING .....</b>	<b>24</b>
<b>PRODUCT INFORMATION SHEET .....</b>	<b>30</b>



This appliance has been tested in accordance with the directives in force in the European Union.  
This appliance conforms to the relevant safety provisions for electrical appliances in force in the European Union.

## **DEAR CUSTOMER:**

Thank you for buying this refrigerator. To ensure that you get the best results from your new refrigerator, please take time to read through the simple instructions in this booklet.

Please ensure that the packing material is disposed of in accordance with the current environmental requirements.

When disposing of any refrigerator equipment please contact your local waste disposal department for advice on safe disposal.

This appliance must be only used for its intended purpose.

## **CAUTION:**

The appliance is not intended for use by young children or infirm persons without supervision.

Young children should be supervised to ensure that they do not play with the appliance.

## SAFETY PRECAUTIONS

THIS APPLIANCE CAN BE USED BY CHILDREN AGED FROM 8 YEARS AND ABOVE AND BY PERSONS WITH REDUCED PHYSICAL, SENSORY OR MENTAL CAPABILITIES OR LACK OF EXPERIENCE AND KNOWLEDGE IF THEY HAVE BEEN GIVEN SUPERVISION OR INSTRUCTIONS CONCERNING USE OF THE APPLIANCE IN A SAFE WAY AND IF THEY UNDERSTAND THE HAZARDS INVOLVED.

CHILDREN MUST NOT PLAY WITH THE APPLIANCE. CLEANING AND MAINTENANCE CANNOT BE PERFORMED BY CHILDREN WITHOUT SUPERVISION. CHILDREN AGED FROM 3 TO 8 YEARS OF AGE CAN INSERT AND REMOVE FOOD FROM REFRIGERATION APPLIANCES.

IF THE SUPPLY CABLE GETS DAMAGED, HAVE IT REPLACED BY A SPECIALIZED SERVICE CENTRE IN ORDER TO AVOID DANGEROUS SITUATIONS. IT IS PROHIBITED TO USE AN APPLIANCE WITH THE SUPPLY CABLE DAMAGED.



ICE MAKERS THAT ARE NOT INTENDED FOR CONNECTION TO THE WATER SUPPLY SHOULD ONLY BE FILLED WITH DRINKING WATER.



VENTILATION OPENINGS IN THE HOUSING OF THE APPLIANCE OR IN ITS CONSTRUCTION MUST BE KEPT WITHOUT OBSTACLES.



DO NOT USE ANY MECHANICAL DEVICES OR MEANS OTHER THAN RECOMMENDED BY THE MANUFACTURER TO SPEED UP THE DEFROSTING PROCESS.



DO NOT DAMAGE THE COOLING CIRCUIT.



DO NOT USE ELECTRIC APPLIANCES IN THE FOOD STORAGE COMPARTMENT, UNLESS IT IS A TYPE RECOMMENDED BY THE MANUFACTURER.

DO NOT STORE EXPLOSIVE SUBSTANCES IN THIS APPLIANCE, SUCH AS AEROSOL CANS WITH A FLAMMABLE PROPELLANT GAS.

THIS APPLIANCE IS INTENDED TO BE USED ONLY IN HOUSEHOLDS AND NOT IN SIMILAR PREMISES, SUCH AS:

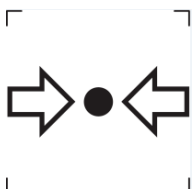
- KITCHENETTES IN SHOPS, OFFICES AND OTHER WORKPLACES;
- APPLIANCES USED BY GUESTS IN HOTELS, MOTELS, AND OTHER ACCOMMODATION FACILITIES;
- APPLIANCES USED IN BED AND BREAKFAST FACILITIES;
- APPLIANCES USED IN CATERING AND OTHER SIMILAR NON-VENDING ENVIRONMENTS.



ICE MAKERS THAT ARE INTENDED FOR CONNECTION TO THE WATER SUPPLY SHOULD ONLY BE CONNECTED TO DRINKING WATER SUPPLY.



THE APPLIANCE MUST BE FASTENED IN ACCORDANCE WITH THE MANUAL TO PREVENT DANGER CAUSED BY ITS INSTABILITY.



THE ISO 7000-1701 MARK (2004-01) INDICATES MEDIUM UNDER PRESSURE.



**FIRE HAZARD / FLAMMABLE MATERIALS!**



**THE COOLING SYSTEM CONTAINS REFRIGERANT UNDER HIGH PRESSURE. DO NOT MANIPULATE WITH THE SYSTEM. THE SYSTEM MAY BE REPAIRED BY AUTHORISED PERSONS ONLY.**

# R600A

**CONTAINS COOLING GAS ISOBUTANE WHICH IS FLAMMABLE. AVOID DAMAGING REFRIGERATION CIRCUIT COMPONENTS DURING TRANSPORT AND INSTALLATION OF THE APPLIANCE.**



**WHEN PLACING THE APPLIANCE IT MUST BE ENSURED THAT THE SUPPLY CORD DOES NOT GET CAUGHT OR DAMAGED.**



**DO NOT PLACE PORTABLE MULTIPLE SOCKET-OUTLETS OR PORTABLE EXTENSION CABLES TO THE REAR SIDE OF THE APPLIANCE.**

## **OTHER RECOMMENDATIONS / INSTALLATION**

### **SAFETY OF THE ELECTRICAL SYSTEM:**

- THE POWER CORD MUST NOT BE EXTENDED.
- PLEASE ENSURE THAT THE PLUG OF THE POWER CORD IS NOT DAMAGED, OTHERWISE IT COULD OVERHEAT AND CAUSE A FIRE.
- WHEN PLACING THE APPLIANCE IT MUST BE ENSURED THAT THE CABLE CORD DOES NOT GET CAUGHT OR DAMAGED.
- DO NOT PLACE PORTABLE MULTIPLE SOCKET-OUTLETS OR PORTABLE EXTENSION CABLE TO THE REAR SIDE OF THE APPLIANCE.
- THE APPLIANCE MUST NOT STAND ON THE POWER CORD.
- THE APPLIANCE MUST NOT BE PLACED IN A HUMID ENVIRONMENT; THE POWER CORD MUST NOT LIE IN WATER.
- MAKE SURE THAT YOU HAVE FREE ACCESS TO THE PLUG OF THE APPLIANCE.
- DO NOT PULL ON THE POWER CORD.
- IF AN ELECTRICAL OUTLET IS LOOSE, DO NOT CONNECT THE PLUG TO IT. THERE IS A RISK OF ELECTRIC SHOCK OR FIRE.
- THIS APPLIANCE MUST NOT BE USED WITHOUT THE INTERIOR LIGHT COVER.
- THE REFRIGERATOR IS DESIGNED TO BE USED ONLY WITH ONE-PHASE ALTERNATING CURRENT POWER SUPPLY WITH VALUES OF 220 - 240 V / 50 HZ. IF THE VOLTAGE FLUCTUATION IN THE PLACE OF RESIDENCE OF THE USER IS SO GREAT THAT IT EXCEEDS THE GIVEN LIMITS, USE AN AUTOMATIC VOLTAGE REGULATOR WITH THE REFRIGERATOR OF MORE THAN 350 W FOR SAFETY REASONS.
- THE PLUG MUST BE USED WITH A SOCKET WITH AN EARTH CONTACT.

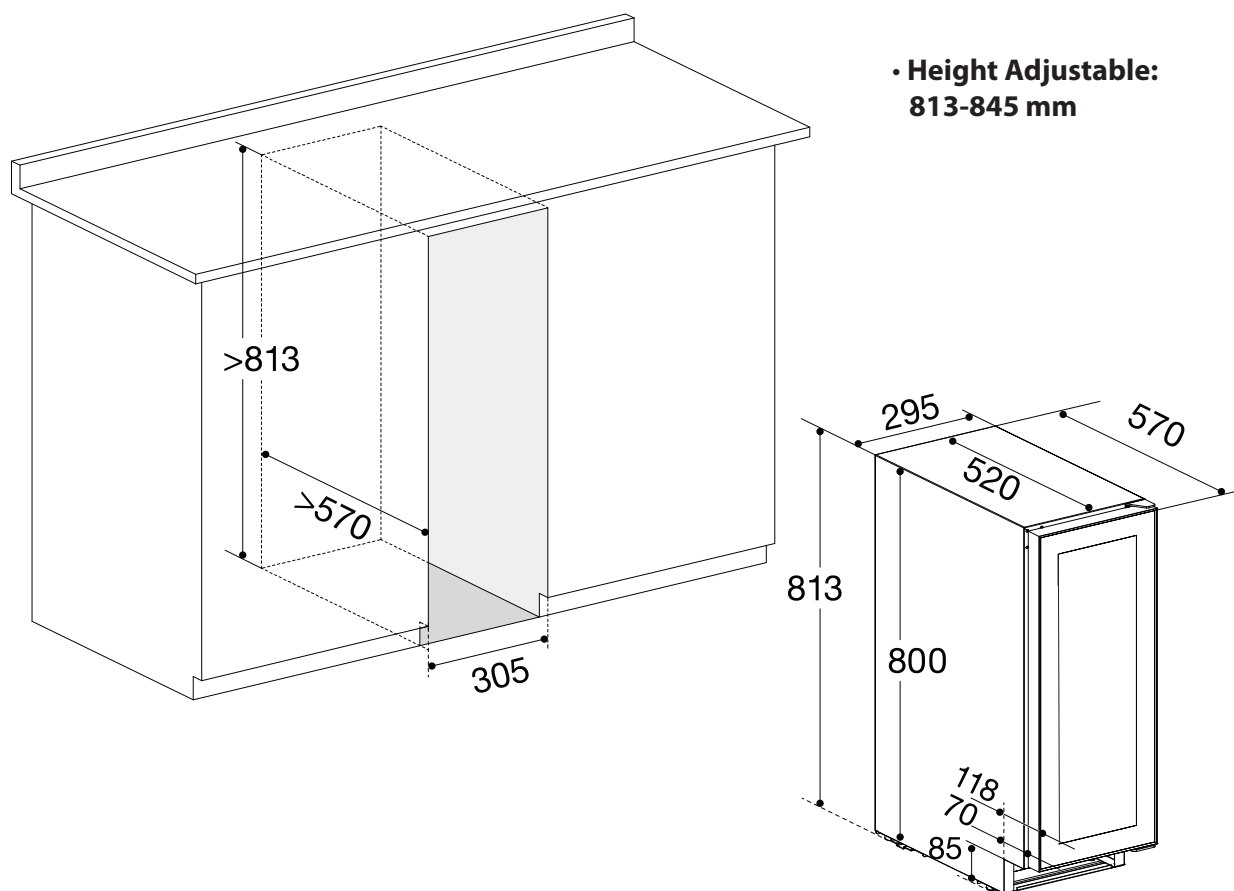
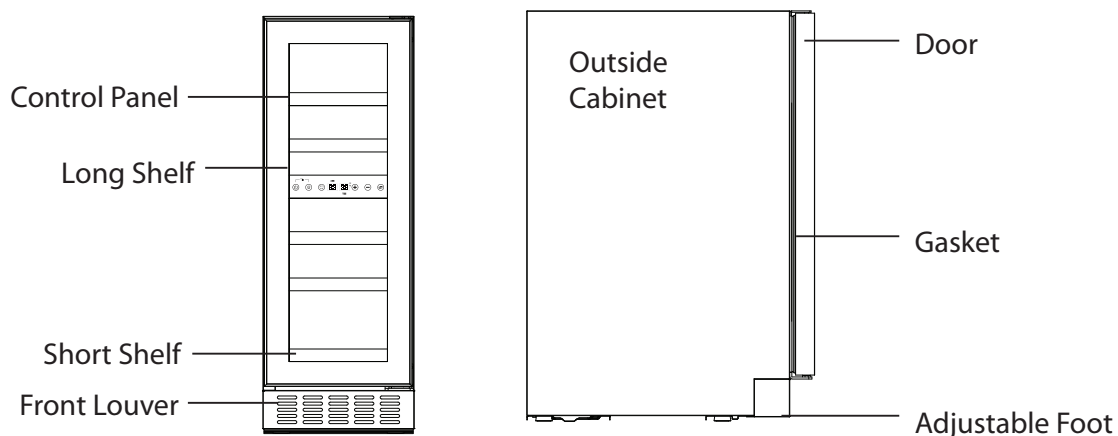


# DESCRIPTION OF APPLIANCE AND INSTALLATION

The following pictures only show description of appliance. The dimension and shelf quantity may differ among the models of the same series.

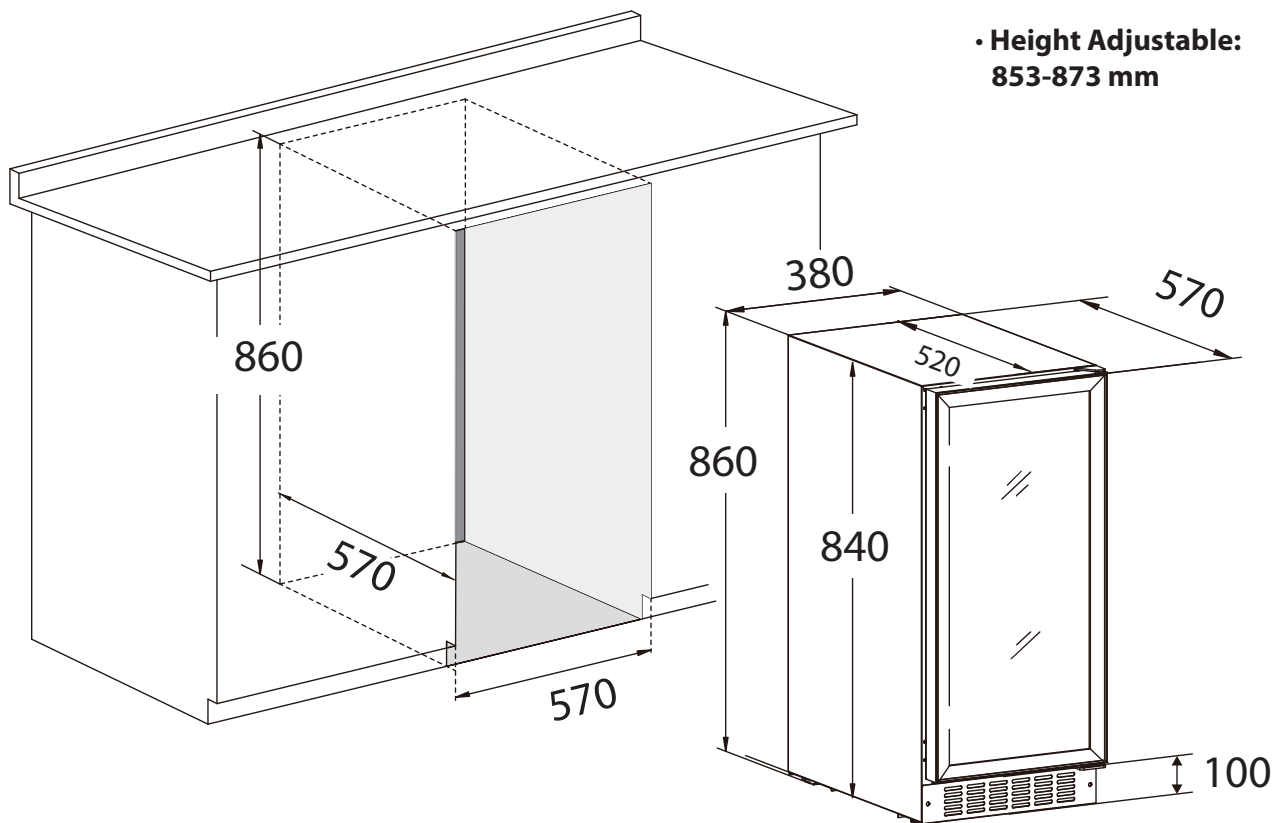
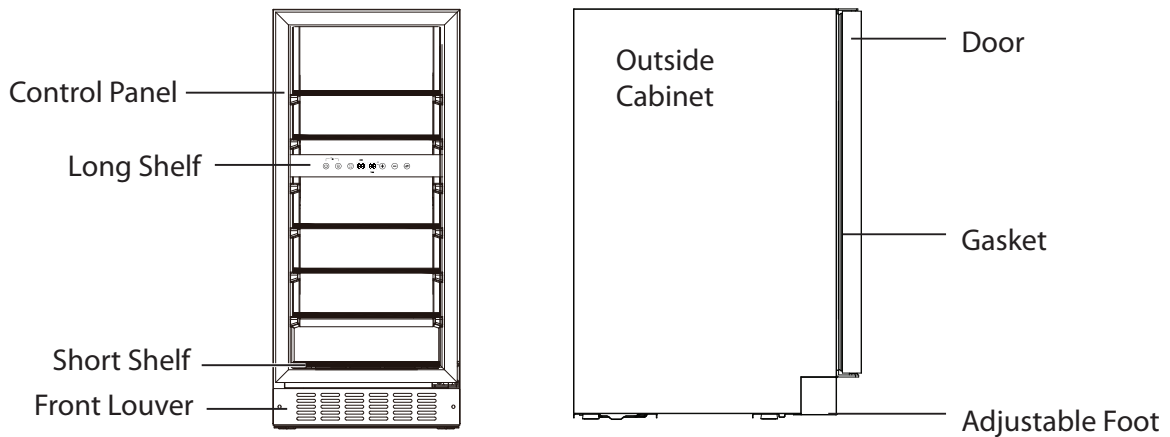
## ■ PW 17 GDFB CONTROL IN CABINET

### Dual Zone **17** Bottles



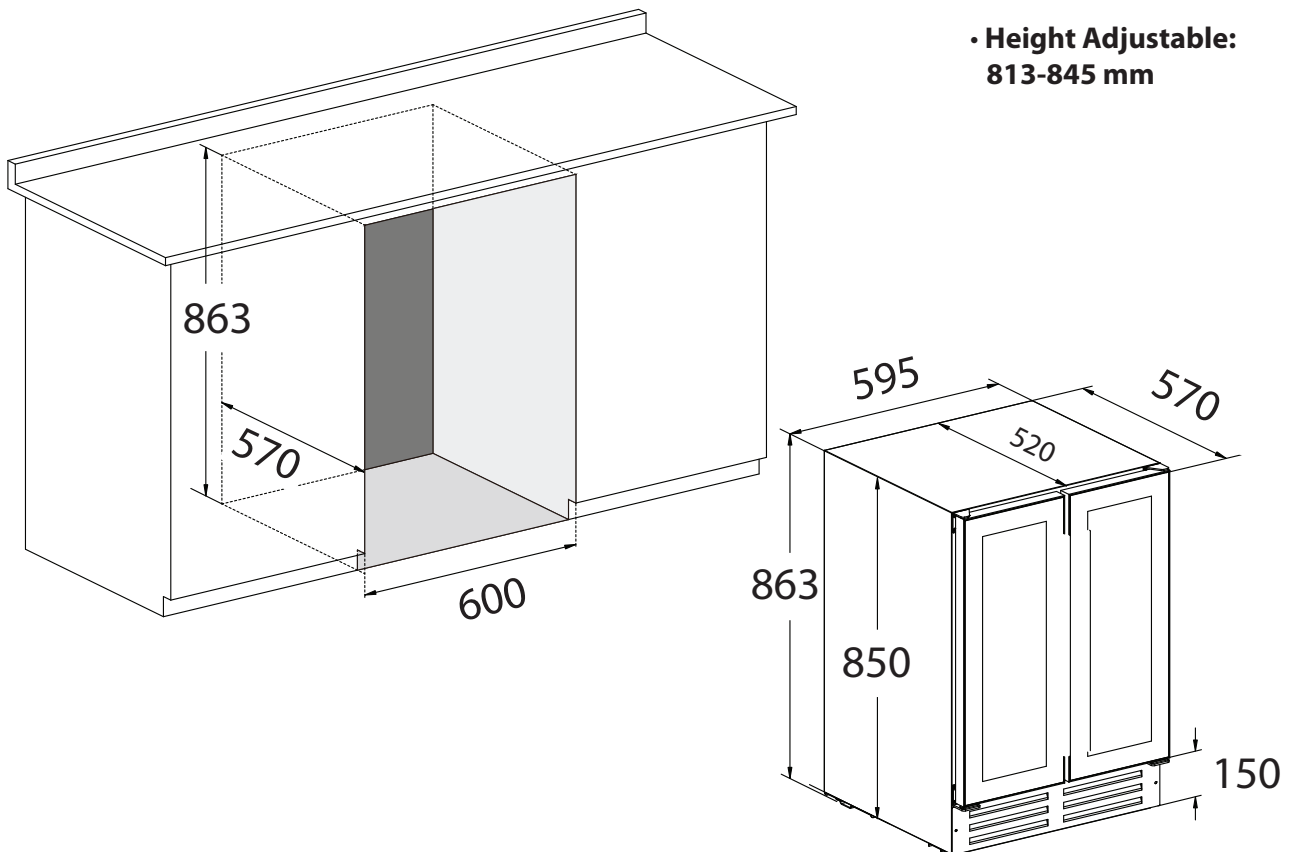
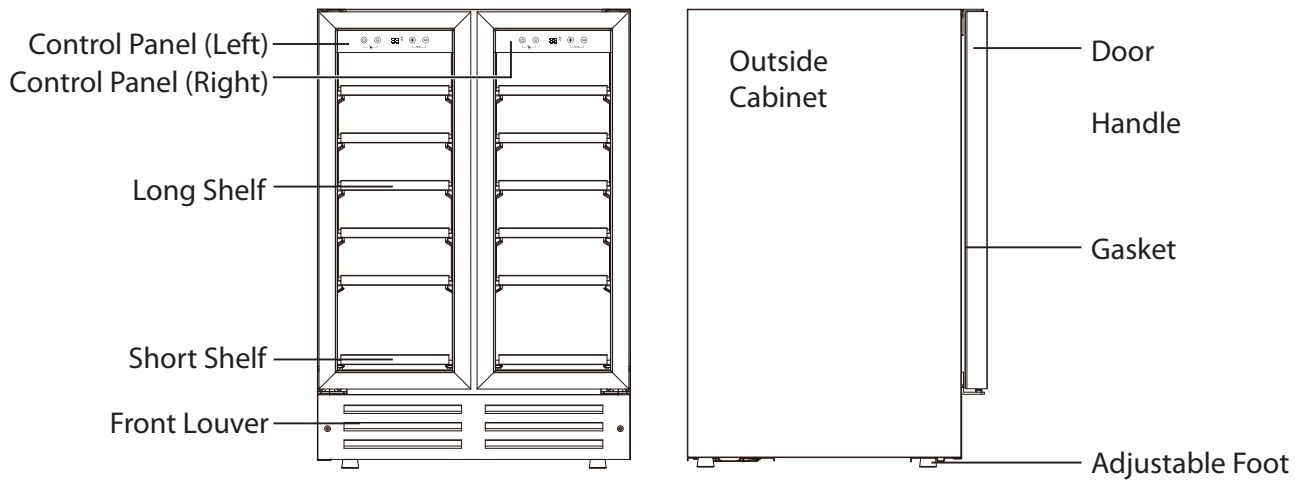
## ■ PW 32 GD CONTROL IN CABINET

### Dual Zone **32** Bottles



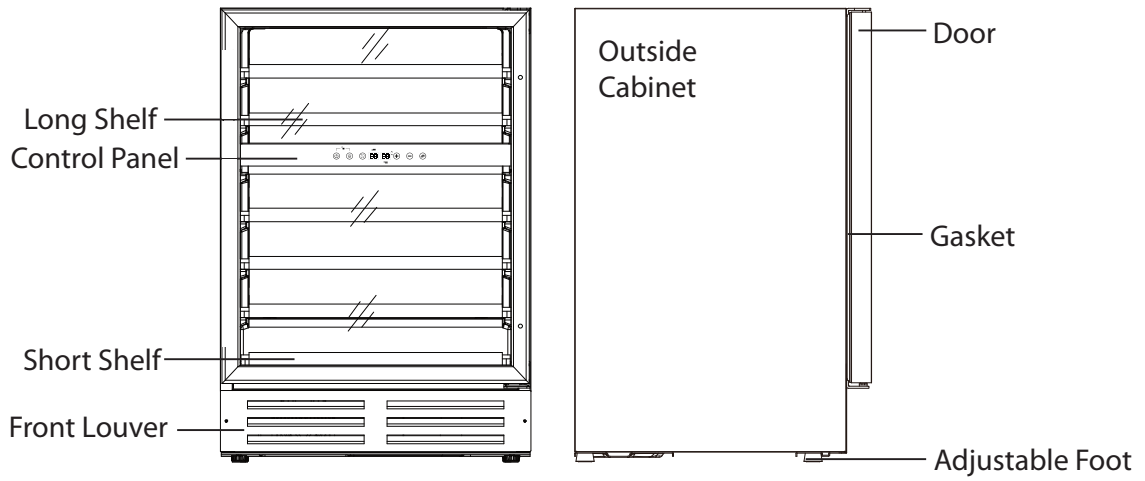
## ■ PW 38 GDFB CONTROL IN CABINET

### Dual Zone **38** Bottles

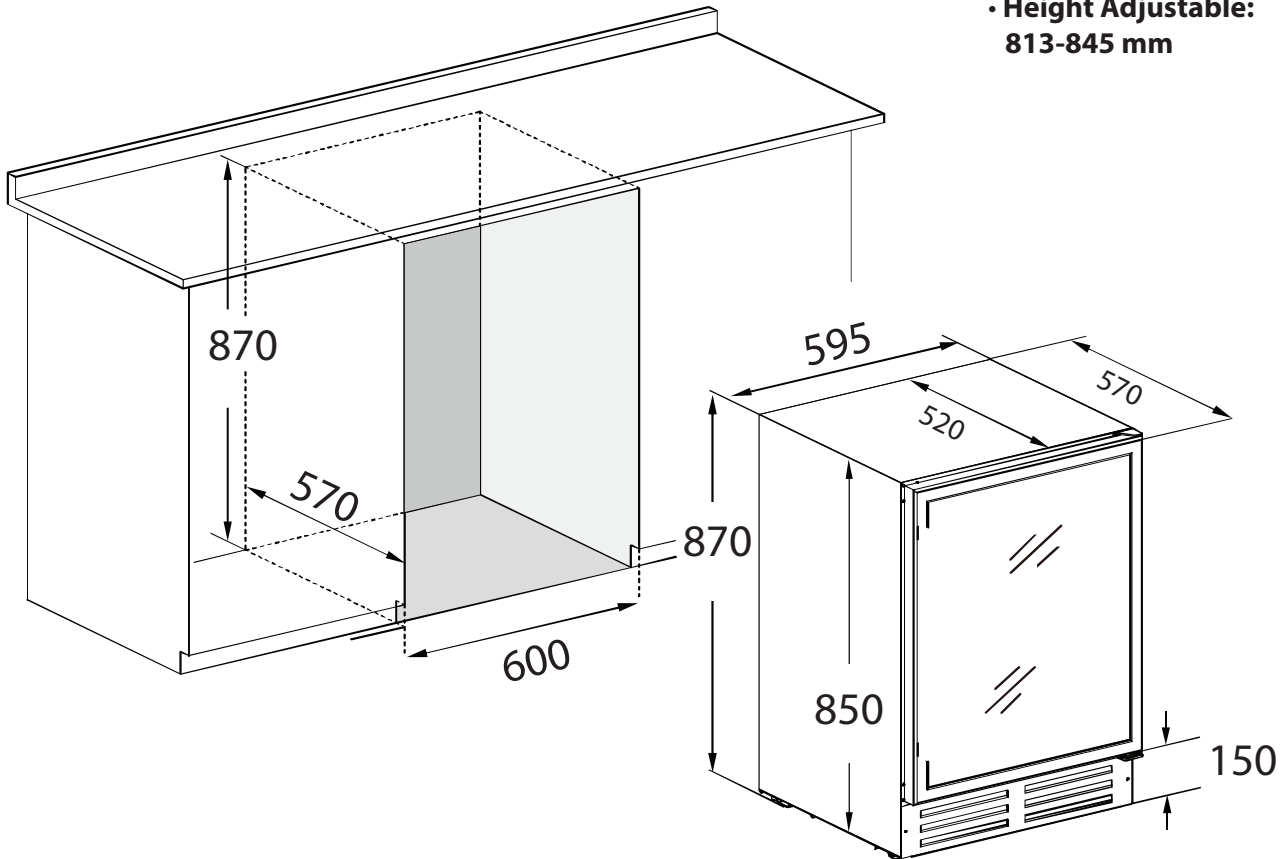


# ■ PW 46 GDFB CONTROL IN CABINET -HEIGHT: 86.3CM

## Dual Zone **46** Bottles

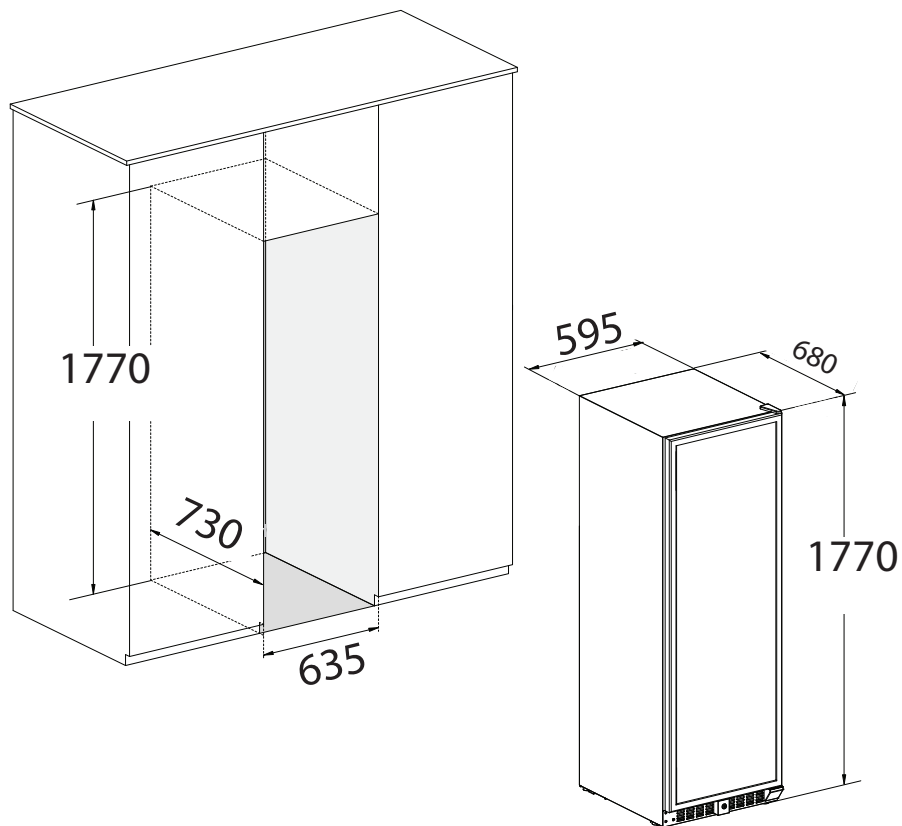
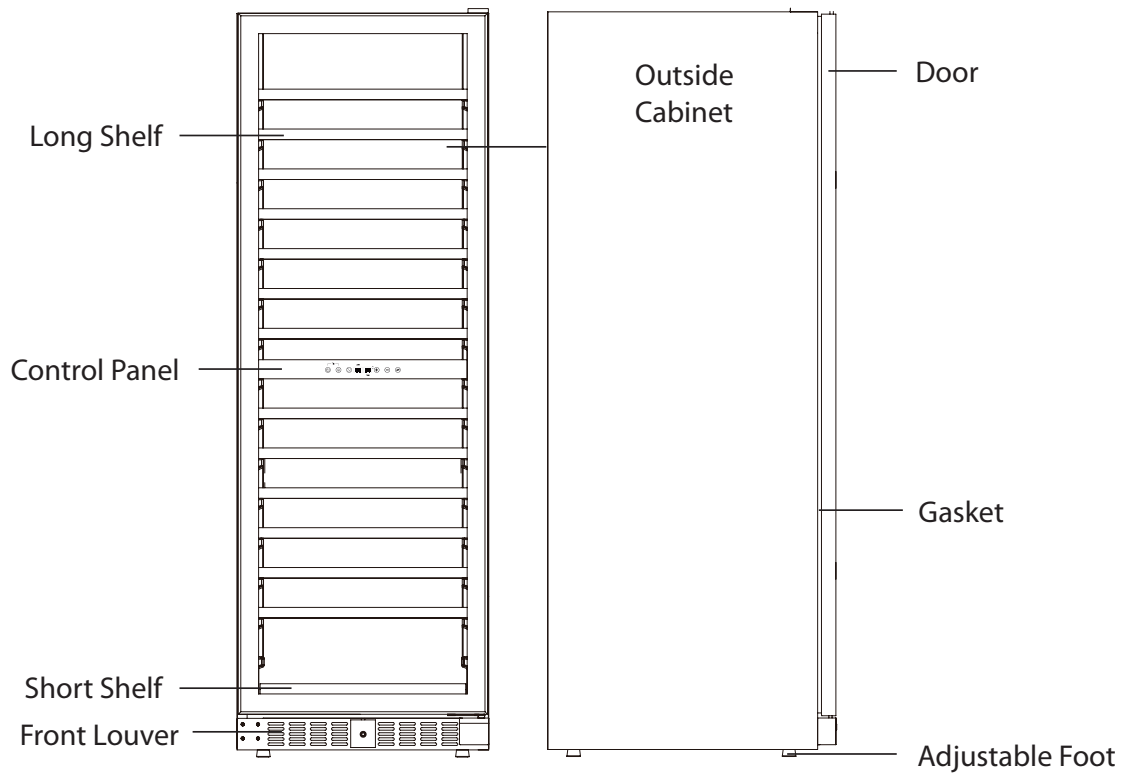


• Height Adjustable:  
813-845 mm



## ■ PW 166 GD CONTROL IN CABINET

### Dual Zone **166** Bottles



# ACCESSORY INSTALLATION BEFORE OPERATING

## ■ UNPACKING AND CLEANING THE WINE COOLER

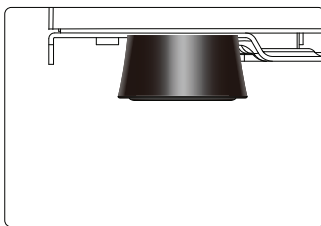
- Remove the exterior and interior packing materials.
- Let the appliance stand upright for approximately **24 hours** before connecting it to the power source, which helps to reduce the possibility of a cooling-system malfunction from handling during transportation.
- Use a soft cloth to clean the interior surface with lukewarm water.

**IMPORTANT: The front louver at the base of the appliance is for ventilation. Nothing should be placed in front of this front louver; otherwise your Wine Cooler may not operate properly.**

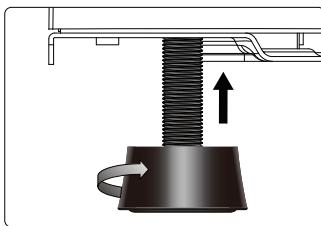
- o A decorative plinth can be fitted to the front of the base vent, a cut-out should be made in the plinth with bigger size than the front louver. The cut out is required whether the front louver is removed or not.

## ■ ADJUSTING THE HEIGHT AND LEVELLING OFF YOUR WINE CABINET

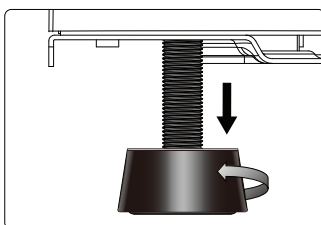
- o The appliance is equipped with adjustable feet, so that the height may be adjusted to level the cabinet on uneven floor surfaces.
- o We recommend that two people carry out this procedure.
- o The height must be adjusted prior to building the appliance into the housing unit and it should be set at such a height that the top panel of the appliance fits exactly below the kitchen worktop.



- o Tilt the appliance approximately 60° to allow access to the adjustable feet.
- o Take care to ensure the cabinet is supported at all times.



- o Twist the foot into a suitable position to level the cabinet.



- o Repeat these steps for the other adjustable feet.

**IMPORTANT: If the appliance is not level, then the door and door seal may be affected.**

**IMPORTANT: Do not move the appliance when the feet are adjusted high.**

## ■ LOCK & UNLOCK THE DOOR (FOR OPTION)

- Lock is an optional function. If your Wine Cooler has such function, a key should be attached inside the packing of this Manual.
- Insert the key into the lock and turn it counter-clockwise to unlock the door. To lock it, please turn clockwise. Please save the key well.

## OPERATING THE WINE COOLER

### ■ WORKING CLIMATE

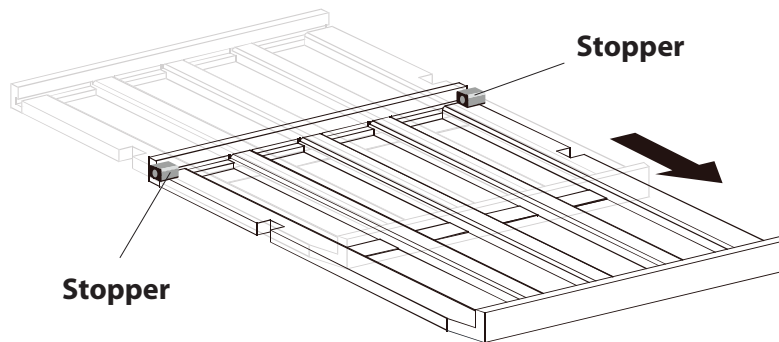
- The appliance is designed for operating from SN to N climate (see below climate class chart). It is recommended to maintain the ambient around 22-25°C which helps the appliance working with low power consumption.

Klimaclass	Romtemperatur
SN	10 - 32 °C (50 °F - 90 °F)
N	16 - 32 °C (61 °F - 90 °F)
ST	16 - 38 °C (64.4 °F - 100 °F)
T	16 - 43 °C (64.4 °F - 109 °F)

- If the ambient temperature is above or below the designed climate range, the performance of the unit may be affected. For example, the appliance operating in extreme cold or hot conditions may cause interior temperatures to fluctuate, and the temperature set 5-22°C may not be reached sometimes.

## ■ THERE ARE FIVE SHELVES AND ONE DISPLAY SHELF IN TOTAL

- The standard shelves are designed perfectly for Bordeaux bottle storage. The maximum loaded bottles may vary subject to the different size or dimension wine bottles you store.
- The shelves is allowed to be pulled out by about 1/3 length of it for easy access to the wine storage.

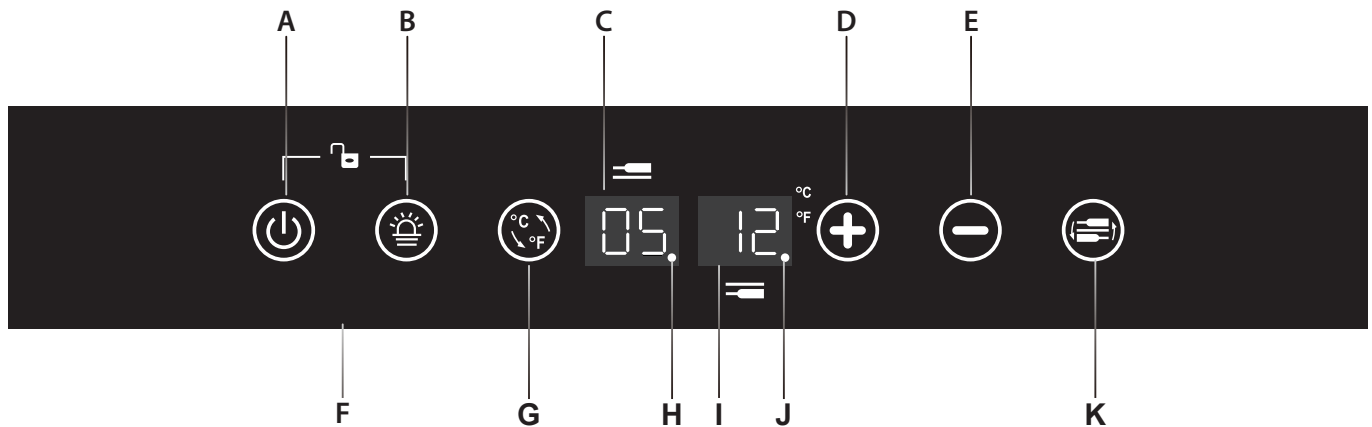


- To prevent damaging the door gasket, make sure to have the door opened fully all the way before pulling the shelves out.
- Please store wine in sealed bottles.
- Do not cover the shelves with aluminum foil or any other shelf material which may prevent air circulation.
- Should the wine cooler be left empty for long periods it is suggested that the appliance is unplugged, and after careful cleaning, leave the door ajar to allow air to circulate inside the cabinet in order to avoid possible condensation, mold or odours forming.
- Recommended temperatures for chilling/storing your wines.

Wine Type	Recommender Temp.
Red Wines	15 - 18°C (59°F-64°F)
Dry/White Wines	9 - 14°C (48°F-57°F)
Rose Wines	10 - 11°C (50°F-52°F)
Sparkling Wines	5 - 8°C (41°F-46°F)



## ■ CONTROL PANEL (CONTROL IN CABINET)



A. Power	B. Lighting	C. Upper Zone Display Window	D. Temp. Plus	E. Temp. Minus	
F. Lock / Unlock	G. °C/°F Switch	H. Function Indicator <sup>1</sup>	I. Lower Zone Display Window	J. Function Indicator <sup>2</sup>	K. Zone Select

## ■ POWER ON/OFF CONTROL

- When the appliance is plugged in to a power outlet, it powers on automatically.
- Touch the power mark (⏻) and hold for **10 seconds** to turn off (or turn on) the appliance.
- No matter it is under a locked or unlocked condition, you can turn off the appliance by touching the power mark (⏻) and holding for **10 seconds**.



**Warning: To avoid damaging the compressor, please do not turn on the appliance again within 5 minutes after you turn it off.**

## ■ UNLOCKING THE CONTROL PANEL

- To unlock the control panel, touch the power mark and lighting mark (⏻) (💡) with 2 fingers at the same time and hold for **3 seconds**. When unlocked a buzz sound will be heard.
- The control panel will be automatically locked with a buzz sound heard after **10 seconds** without being touched.
- Under the locked condition, the control panel will not react to any touching order for Lighting On/Off and Temperature Setting.

## ■ INTERIOR LIGHTING ON/OFF CONTROL

- Under the unlocked condition, touch the lighting mark (💡) to turn on (or turn off) the interior cool LED lighting.
- The lighting will stay on until it is manually turned off.


## ■ TEMPERATURE DISPLAY WINDOW

- The temperature is displayed in digital which is the best way to be read out. The digital is shown as the set temperature when you are setting the temperature.
- When the temperature probe is out of order, the display window will show with “HH” or “LL” instead of a digital figure while continuous buzz sound will be heard. In case of this happens, this appliance is considerably designed to keep periodical running of compressor and fans which helps to keep the coldness of the inside cabinet to protect your stored wines.










**Warning:** To avoid destroying your stored wines, it is strongly recommended to have the appliance repaired immediately, as the spare periodical running can not ensure the appliance to achieve the temperature you have set.

## ■ TEMPERATURE RANGE SETTING


- The default temperature setting ranges are E: 5-12 °C (41-54 °F) for the upper zone and 12-22 °C (54-72 °F) for the bottom zone.
- To set a temperature range as desired, pls. make sure the control panel is under locked condition.
- Press the mark  for **3 seconds**, the display windows will flash “E”--“F”--“H”--“L” in loop with a sound of beep by every pressing.
- Leave the display windows flashing for 3 seconds with a sound of beep to confirm the setting.

Display	Temp. Range (Dual Zone)	
	Upper Zone	Lower Zone
E (Default)	5 - 12 °C (41°F-54°F)	12 - 22 °C (54°F-72°F)
F	2 - 12 °C (36°F-54°F)	12 - 20 °C (54°F-68°F)
H	5 - 12°C (41°F-54°F)	8 - 19 °C (46°F-66°F)
L	2 - 10 °C (36°F-50°F)	2 - 10 °C (36°F-50°F)

## ■ TEMPERATURE SETTING

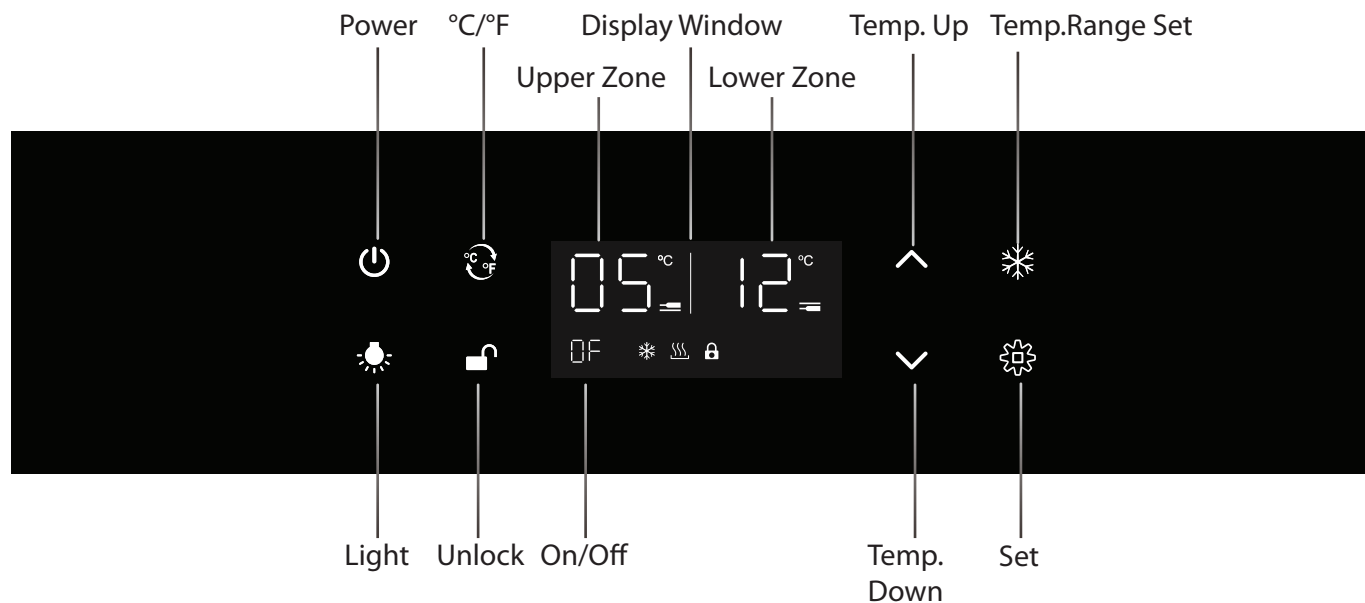
- The default temperature setting ranges are E: 5-12 °C (41-54 °F) for the upper zone and 12-22 °C (54-72 °F) for the bottom zone.
- You need to select the set zone by touching the mark  before touching the mark  or  to set the desired temperature. The zone temperature will flash when it is ready to be set.
- The first touch on mark  or  will recall the previous set temperature displayed in the digital window.
- Touch the mark  to increase the set temperature by 1°C (or by 1°F). On the contrary, touch the mark  to decrease the set temperature by 1°C (or by 1°F).

## ■ SELECTING FAHRENHEIT(°F) & CELSIUS (°C) DISPLAY

Directly touch the mark , you can interchange the Fahrenheit and Celsius display for both zones at the same time.

- \* For models of **PW 38 GDFB**, the Celsius and Fahrenheit of Left and Right Zone will be changed at the same time no matter the operation above on Left or Right Zone.

## ■ CONTROL PANEL PW 46 GDFB CONTROL ON DOOR



## ■ POWER ON/OFF CONTROL



### POWER

- Press to turn on the control panel back light buttons if they are off.
- To turn off your wine cellar for cleaning or extended absence, press the power button once. After the unit beeps once, hold the power button for **10 seconds** and your wine cellar will shut itself off. Once the wine cellar has been turned off, please allow at least **5 minutes** before starting up again. This will limit excessive wear on the compressor.



### Warning

To avoid damaging the compressor, please do not turn on the appliance again within **5 minutes** after you turn it off.

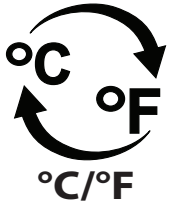
## ■ POWER ON/OFF CONTROL



### Unlock

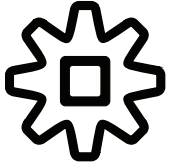
- Press for 3 seconds to unlock the control panel.

## ■ SELECTING FAHRENHEIT(°F) & CELSIUS (°C) DISPLAY



- Press to alter the temperature display in Fahrenheit or Celsius.

## ■ TEMPERATURE SETTING



- Press to select Upper/Lower zone for setting temperature. The digital display flashes to inform the accessibility to adjust setting.

**SET**

## ■ TEMPERATURE SETTING



**Temp. Up**

- Press to increase setting temperature by 1°.



**Temp.  
Down**

- Press to decrease setting temperature by 1°.



### Temp. Range Set

- Press to change the temperature set-range among E, F, H, L, and leave it for **3 seconds** to confirm your option. Your wine cellar is originally set as "E", the ideal temperature for the storage of red wine.

Display	Temp. Range	
	Upper Zone	Lower Zone
E (Default)	5 - 12 °C (41°F-54°F)	12 - 22 °C (54°F-72°F)
F	2 - 12 °C (36°F-54°F)	12 - 20 °C (54°F-68°F)
H	5 - 12°C (41°F-54°F)	8 - 19 °C (46°F-66°F)
L	2 - 10 °C (36°F-50°F)	12 - 22 °C (54°F-72°F)

#### Note:

The control panel will lock automatically when left untouched for **15 seconds**. Make sure to unlock the control panel before setting. With the exception of the power button, all other buttons' back light will turn off when the control panel is left untouched for **15 seconds**.

## ■ TEMPERATURE SETTING



- Set temperature of Upper Zone



- Set temperature of Lower Zone



- Display Window is on.



- Display Window is Off.



The display window can be set to the off position for a less obtrusive appearance. Your Wine Cooler will continue to run, but the Wine Coolers display window will not be visible. You can check the temperature of the Wine Cooler by pressing the **Power** button.

To set the display window to either on or off, press **°C/°F** button for **5 seconds** while the control panel is locked.

Once the ON/OF indicator flashes, press **°C/°F** a second time to enter into the option interface. "ON" will show the display window at all times while "OF" will turn off the display window. Leave the control panel untouched for **5 seconds** to confirm your option.

#### Note:

Temperatures may fluctuate depending on whether the interior light is ON or OFF and depending on the position of the bottles.

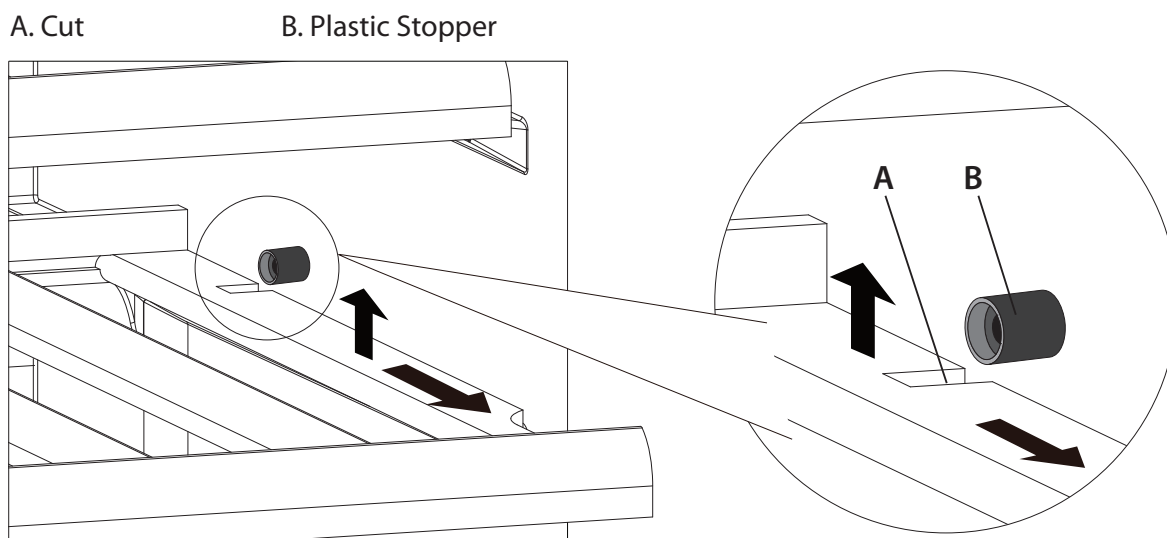
## CARE AND MAINTENANCE

### ■ CLEANING THE WINE COOLER

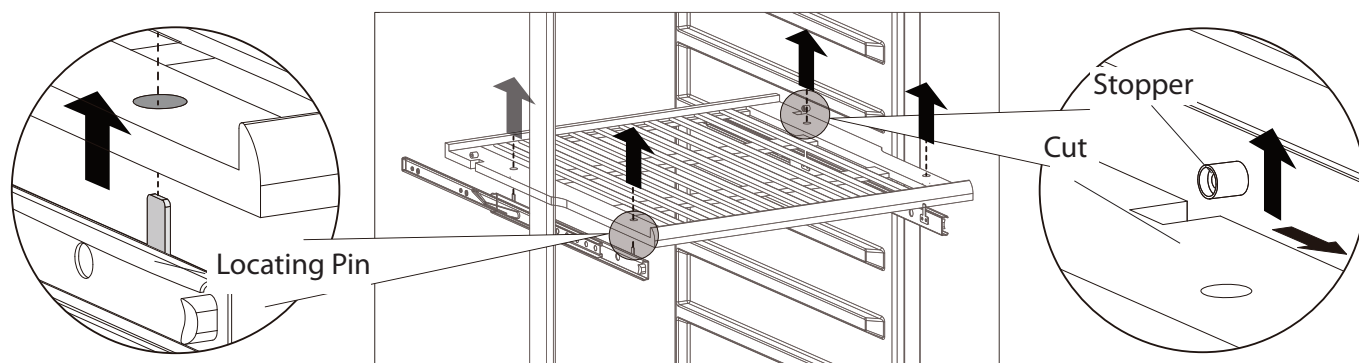
- Turn off the power, unplug the appliance, and remove all items including shelves.
- Wipe the inside surfaces with a sponge and baking soda solution. The solution should be about 2 tablespoons of baking soda to 1 quart (approx. 1 litre) of warm water.
- Wash the shelves with a mild detergent solution. Allow wooden shelves to dry before placing back into the wine cooler.
- Wring excess water out of the sponge or cloth when cleaning area of the controls, or any electrical parts.
- Wipe the outside cabinet with warm water and mild liquid detergent. Wipe dry with a clean soft cloth.
- Do not use steel wool or steel brush on the stainless steel. These will scratch the stainless steel with steel particles and rusting may occur.

### ■ REMOVING THE SHELVES

- Before removing a Shelf from the appliance, it is necessary to remove all the bottles on the Shelf ;
- For a model without Telescopic Rail, move the shelf to the position where the cut of the wooden shelf is directly under the plastic stopper and lift the wooden shelf. Please ensure these are replaced when the shelf is put back.
- Make sure the shelves are fully engaged before loading any bottle into the cabinet. Pull the shelves out all the way to the STOPPER position and push them back in several times to make sure the shelves are properly engaged.



- For a model with Telescopic Rail, pls. lift the whole Shelf upwards horizontally to get it off from the 4 Locating Pins of Telescopic Rail.



## ■ CARBON FILTER CHANGE (OPTION)

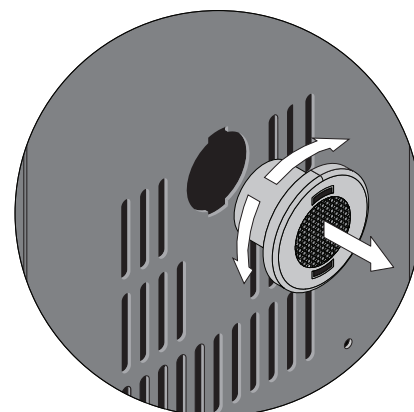
A good ambient air quality is important for wine maturing. The Carbon Filter is very helpful to absorb odor and improve air quality. For the models with Carbon Filter, we suggest to replace it once a year. Pls. contact your dealer to get the filter.

Removing the Carbon Filter:

- o Hold the Carbon Filter and turn it 90° to the left or right to Remove it;

Reinstalling the Carbon Filter:

- o Hold the Carbon Filter and turn it 90° to the left or right until it clicks into place.



## ■ DEFROSTING

- o Defrosting occurs automatically inside of the Wine Cooler during operation. The defrost water is collected by the evaporating tray and evaporates automatically.
- o The evaporating tray and defrost water drain hole should be cleaned periodically. This will prevent water from collecting in the bottom of the Wine Cooler, instead of flowing down the defrost drainage channel and drain hole.
- o You can also pour a small amount of water down the drain hole to clean inside of it.
- o You should be careful to make sure that wine bottles do not touch the rear wall of the appliance, as this can interrupt the automatic defrosting process and deflect water into the base of your Wine Cooler.

## ■ MOVING YOUR WINE COOLER

If you need to move your Wine Cooler to another location you should follow the steps outlined below.

- o Remove all items from the Wine Cooler.
- o Securely tape down all loose items such as the shelves inside of the appliance.
- o Turn the adjustable foot up to the base to avoid damage.
- o Tape the door closed.
- o Ensure the appliance stays secure in the upright position during transportation. Also protect the outside of the appliance with a blanket or similar item.

## ■ POWER FAILURE

- o If power is cut to the appliance, for a few hours it will be able to maintain the temperature inside the cabinet. Providing that the number of times that the door is opened is kept to a minimum.
- o If the power cut is for longer than a few hours, then you will need to store the contents in an alternate location to prevent them being affected by temperature rise.

***IMPORTANT: If the appliance is unplugged, the power is lost or turned off you must wait 5 minutes before restarting the Wine Cooler. If you attempt to restart before this time delay, the compressor could be damaged.***

## ■ VACATION TIME

***Short vacations:*** Leave the Wine Cooler in operation for holidays of less than 3 weeks.

***Long vacations:***

- o If your appliance is not going to be in use for a period of time, you should remove the bottles of wine and switch off the appliance
- o The interior should be cleaned with a solution of bicarbonate of soda and lukewarm water.
- o The interior should then be thoroughly dried.
- o To prevent mould growth, the door should be left slightly ajar.

## ■ DISCONNECTING FROM POWER

- o If the unit is unplugged, or there is a power cut, you must wait for 5 minutes before restarting. Attempting to restart the Wine Cooler before 5 minutes has elapsed, may cause it not to function.



## TROUBLESHOOTING

If you feel the appliance is not working properly, follow these instructions to try to see if you can solve the problem simply by yourself before calling for service.

No.	PROBLEM	PROBLEM POSSIBLE CAUSE / MEASURE
1	The wine cooler does not operate	Not plugged in. The appliance is turned off. The circuit breaker tripped or a blown fuse.
2	The wine cooler is not cold enough	Check the temperature control setting. External environment may require a higher setting. The door is opened too frequently. The door is not closed completely. The door gasket does not seal properly.
3	Automatically turn-on and turn-off frequently	The room temperature is hotter than normal. A large amount of contents has been added to the wine cooler. The door is opened too frequently. The door is not closed completely. The temperature control is not set correctly. The door gasket does not seal properly.
4	The lighting does not work	Not plugged in. The circuit breaker tripped or a blown fuse. The lighting is turned off. Contact a service center for repairs and replacements.
5	Too much vibration	Check to assure that the appliance is level. Check to assure no parts inside the cabinet or in the compressor chamber are loose.
6	The wine cooler seems to make too much noise	The rattling noise may come from the flow of the refrigerant, which is normal. As each cycle ends, you may hear gurgling sounds caused by the flow of refrigerant. Contraction and expansion of the inside walls may cause popping and crackling noises. The appliance is not level.
7	The door will not close properly.	The wine cooler is not level. The door was reversed and not properly installed. The gasket is dirty. The shelves are out of position.
8	The display window is shown with "HH" or "LL" instead of a digital figure, and/or with continuous buzz sound.	The temperature probe is out of order

## REVERSE THE DOOR SWING

### Remarks:

- The following operations are available for a model with control in cabinet only and with Right Door Hinge installed.
- All removed parts must be saved in order to do the door reinstallation.

### ■ FOR PW 38 GDFB CONTROL IN CABINET

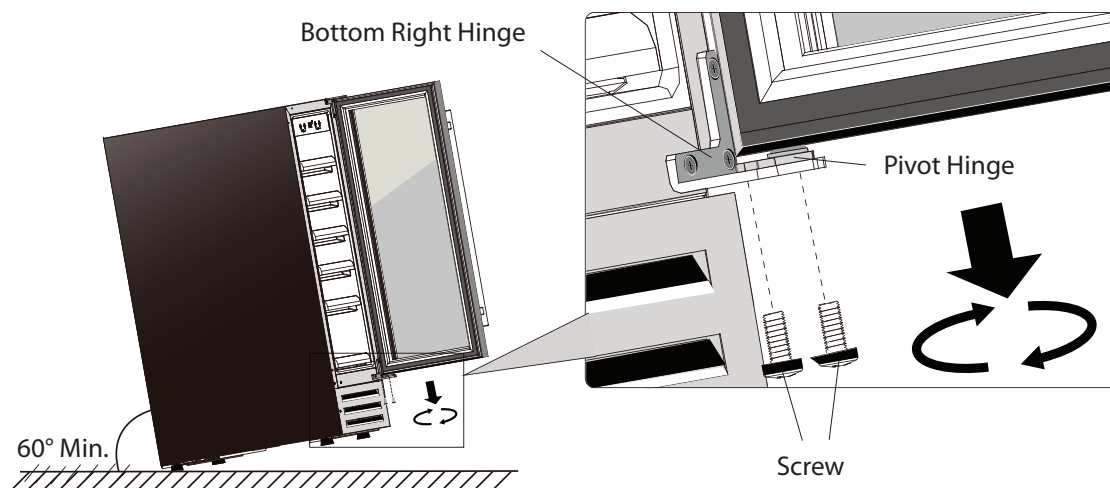
- The unit is with Left and Right door, it is no need to do door reversal.

### ■ FOR PW 17 GDFB / PW 32 GD / PW 46 GDFB CONTROL IN CABINET

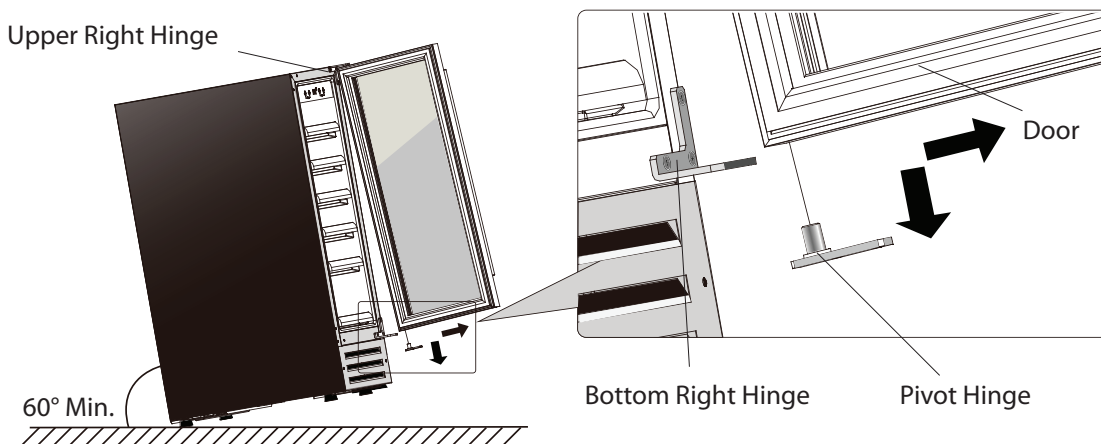
### Remarks:

- To reverse the door from right hinge to left hinge, you need to get ready 2 new spare parts: an **Upper Left Hinge**, and a **Bottom Left Hinge**.
- All removed parts is suggested to be saved in case of door re-reversal.

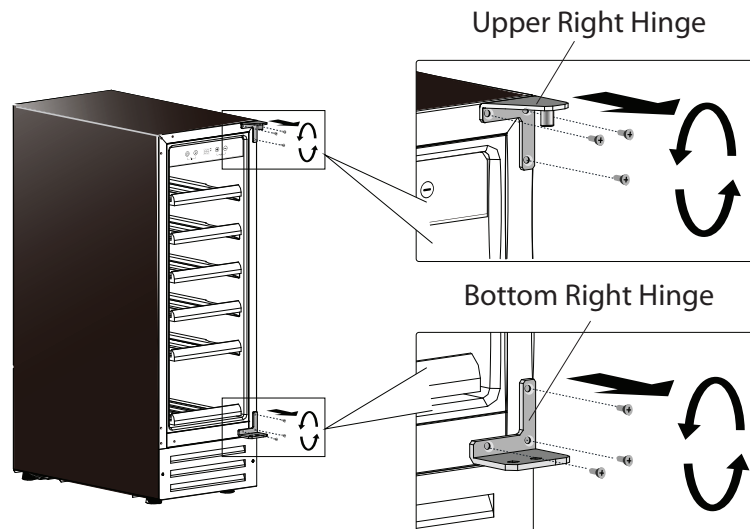
1. Open the door, and loosen the 2 screws from Pivot Hinge of the Bottom Right Hinge.



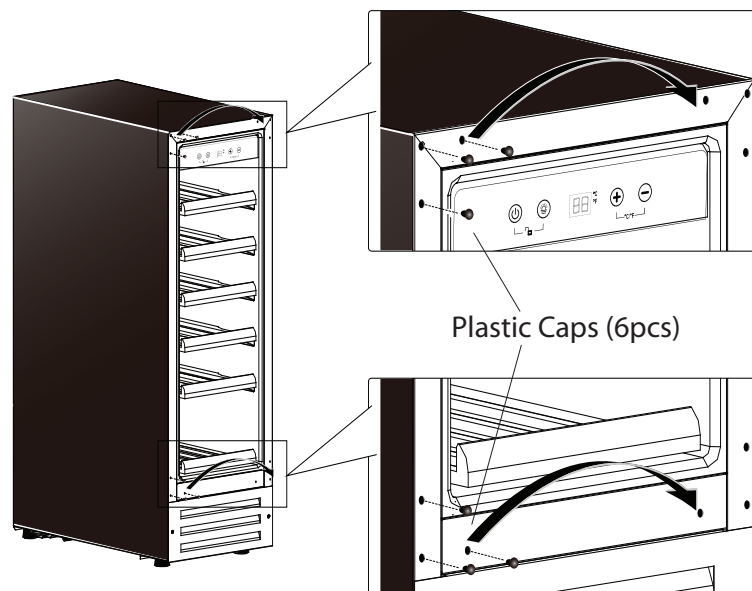
2. Carefully remove the door from the Upper Right Hinge and prevent it from scratching. Take out the Pivot Hinge from the door hinge hole.



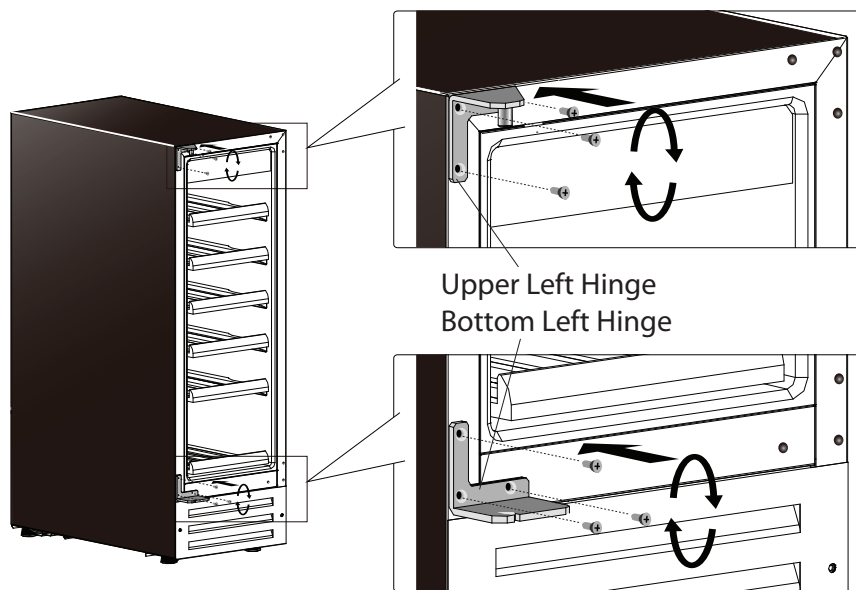
- 3.** Unscrew the Upper Right Hinge and Bottom Right Hinge from the cabinet. Keep them well for door re-installation.



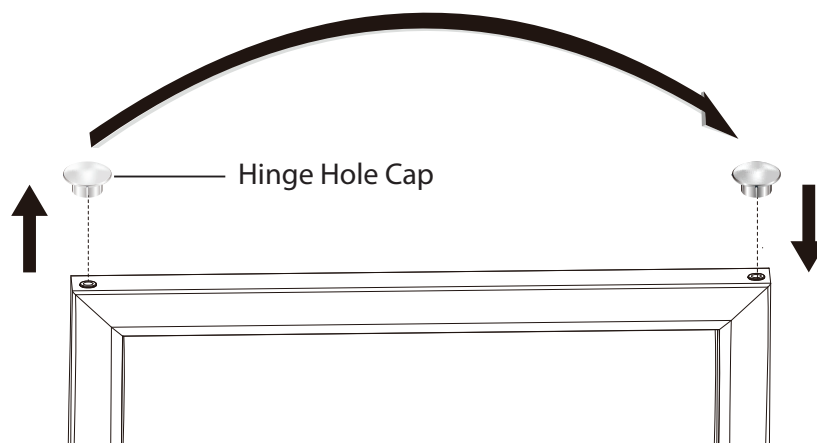
- 4.** Pull out the 6 Plastic Caps at the front left corner of the cabinet. And move them all to the right side.



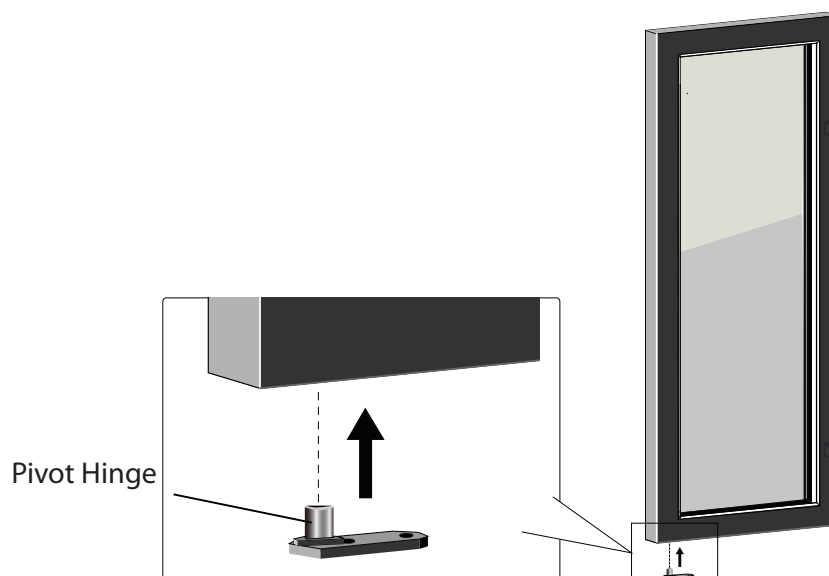
5. Install the Upper Left Hinge and Bottom Left Hinge to the left side of the cabinet. Make sure the screws are tightened.



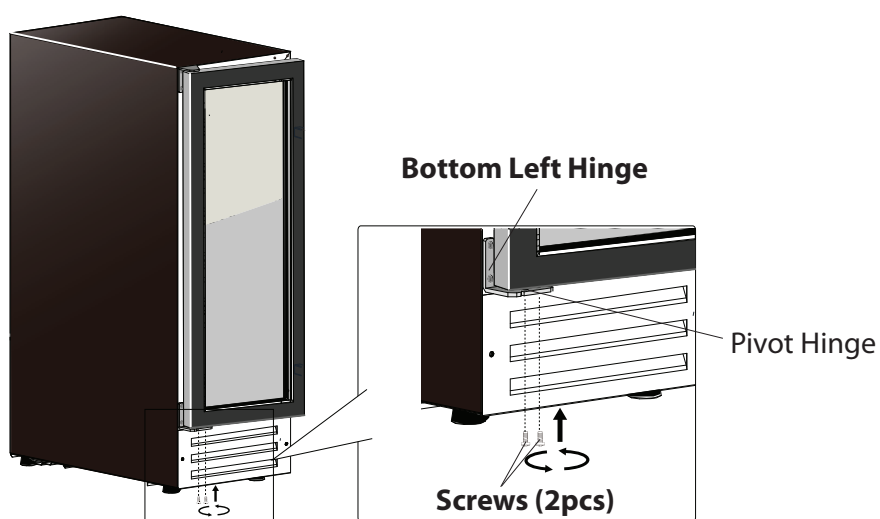
6. Move the Hinge Hole Cap (at the top of the door) from the left side to the right side.



**7.** Insert the Pivot Hinge into the bottom hinge hole of the door.




**8.** Install the door to the left hinge side by tightening the Pivot Hinge with the 2 screws.

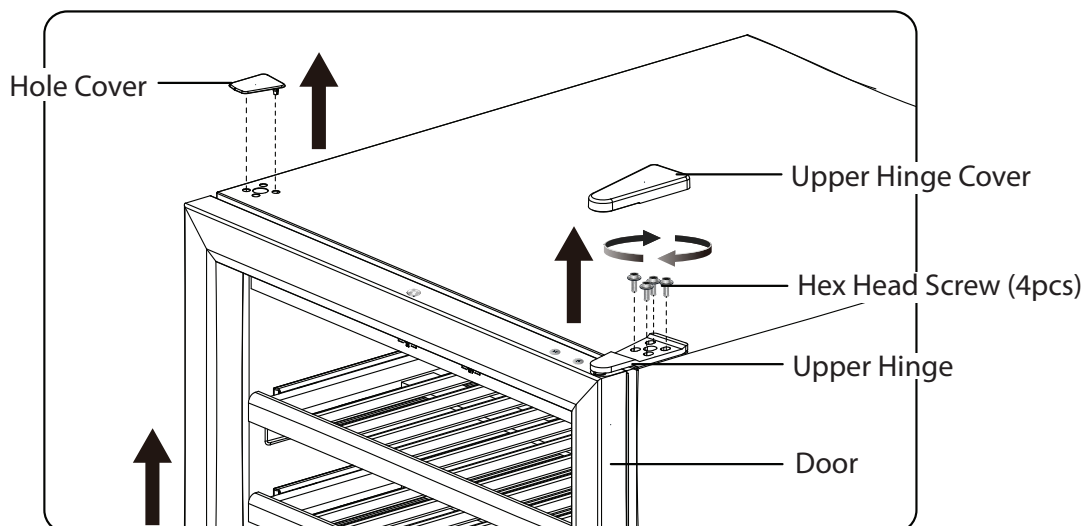


## ■ FOR PW 166 GD CONTROL IN CABINET

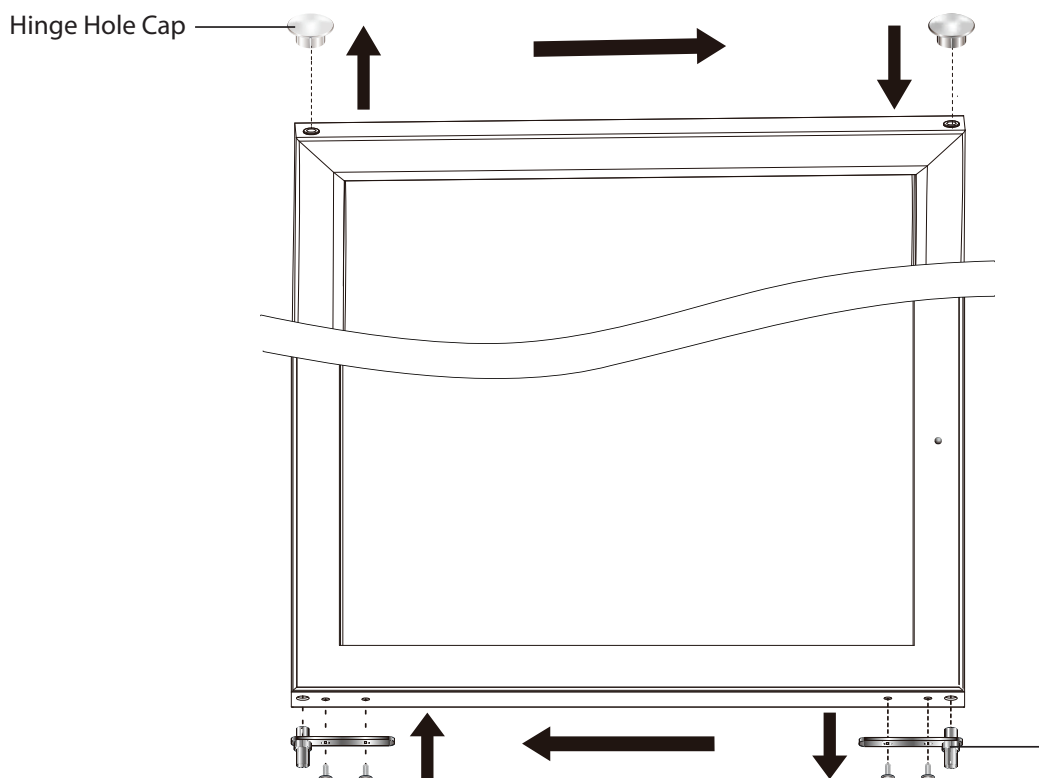
### IMPORTANT INFORMATION

We recommend that you secure the racks in place using adhesive tape to prevent causing damage when handling the appliance and store all removed parts carefully.

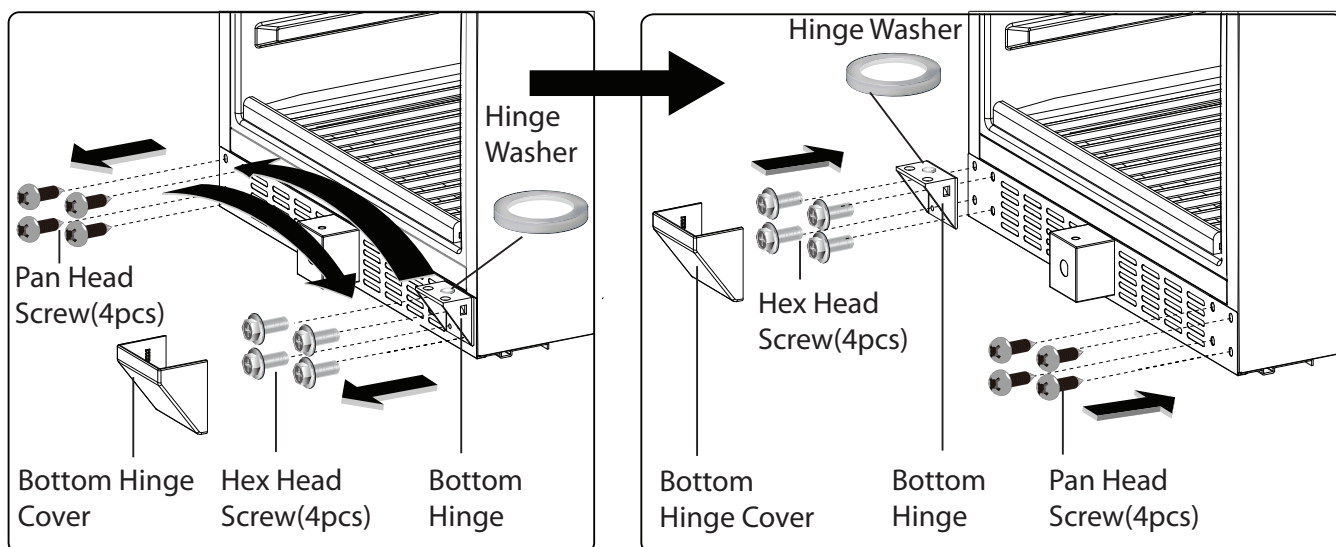
1. Remove the Hole Cover and Upper Hinge Cover on top side using a flat-head screwdriver. Remove the Upper Hinge by unscrewing the Hex Head Screws (4pcs). Now carefully lift the Door off the Bottom Hinge with your assistant and gently set it aside. It is important to keep the Hinge Washer  on the top of Bottom Hinge for re-installation.



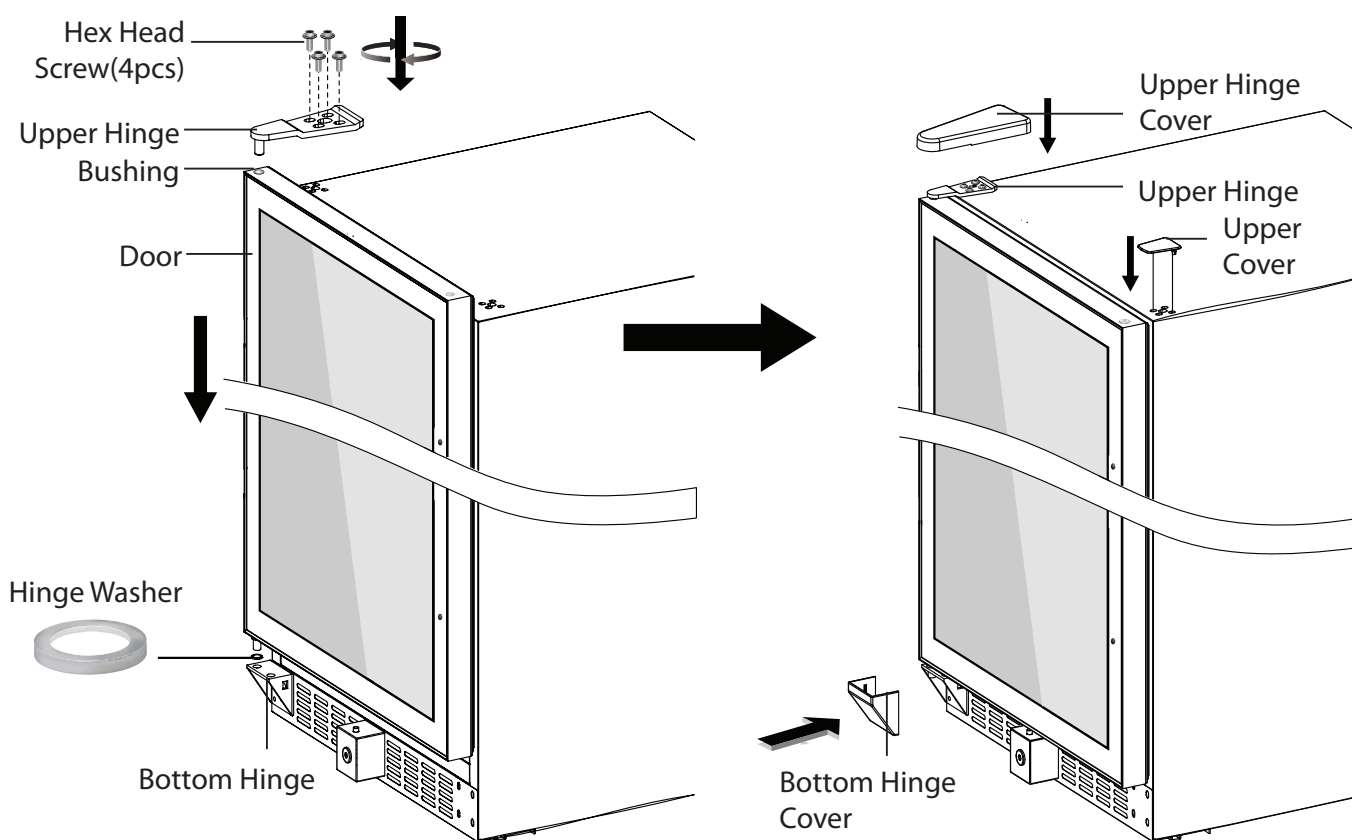
2. Remove the Hole Cover and Upper Hinge Cover on top side using a flat-head screwdriver. Remove the



- 3.** Remove the Bottom Hinge Cover by prying it off gently with small flat screwdriver. Remove the Bottom Hinge by unscrewing the Hex Head Screw (4pcs). Unscrew the Pan Head Screw (4pcs) from bottom left side. Now move the Bottom Hinge to the bottom left side and screw it tightly with the Hex Head Screws (4pcs). Move the Pan Head Screw (4pcs) to the bottom right side and screw it.



- 4.** Hold the Door carefully with your assistant and place it on the top of Bottom Hinge, make sure the Pivot Hinge is at correct place through the Hinge Washer. Insert the pin of the Upper Hinge into the Bushing on the top right and fix it with Hex Head Screw (4pcs). Cover the Upper Hinge and Bottom Hinge with Upper Hinge Cover and Bottom Hinge Cover. Cover hinge screw holes on the top right with the Hole Cover.



# PRODUCT INFORMATION SHEET

## Product Information Sheet

PHILCO 

COMMISSION DELEGATED REGULATION (EU) 2019/2016

**Supplier's name or trademark:** PHILCO

**Supplier's address:** PHILCO, FAST ČR, a.s. U Sanitasu 1621 Říčany 251 01, Czech Republic

**Model identifier:** PW 17 GDFB

### Type of refrigerating appliance:

Low-noise appliance:	No	Design type:	freestanding
Wine storage appliance:	Yes	Other refrigerating appliance:	No

### General product parameters:

Parameter	Value	Parameter	Value
Overall dimensions (millimetre)	Height	853	Total volume (dm <sup>3</sup> or l)
	Width	295	
	Depth	570	
Energy efficiency Index (EEI)	171	Energy efficiency class*	G
Airborne acoustical noise emissions (dB(A) re 1 pW)	39	Airborne acoustical noise emission class	C
Annual energy consumption (kWh/a)	135	Climate class:	temperate, subtropical
Minimum ambient temperature (°C), for which the refrigerating appliance is suitable	16	Maximum ambient temperature (°C), for which the refrigerating appliance is suitable	38
Winter setting	No		

### Compartment Parameters:

Compartment type	Compartment parameters and values			
	Compartment volume (dm <sup>3</sup> or l)	Recommended temperature setting for optimised food storage (°C) These settings shall not contradict the storage conditions set out in Annex IV, Table 3	Freezing capacity (kg/24h)	Defrosting type (auto-defrost=A, manual defrost=M)
Pantry	No	-	-	-
Wine storage	Yes	54	-	A
Cellar	No	-	-	-



Fresh food	No	-	-	-	-
Chill	No	-	-	-	-
0-star or ice-making	No	-	-	-	-
1-star	No	-	-	-	-
2-star	No	-	-	-	-
3-star	No	-	-	-	-
4-star	No	-	-	-	-
2-star section	No	-	-	-	-
Variable temperature compartment	-	-	-	-	-
<b>Light source parameters:</b>					
Type of light source			LED		
Energy efficiency class			-		
<b>Minimum duration of the guarantee offered by the manufacturer:</b> 24 months					
<b>Additional information:</b>					
<b>Weblink to the manufacturer's website, where the information in point4(a) Annex of Commission Regulation (EU) 2019/2019 is found:</b> <a href="https://www.fastcr.cz/">https://www.fastcr.cz/</a>					

\* A (highest efficiency) to G (lowest efficiency)

# Product Information Sheet



COMMISSION DELEGATED REGULATION (EU) 2019/2016

**Supplier's name or trademark:** PHILCO

**Supplier's address:** PHILCO, FAST ČR, a.s. U Sanitasu 1621 Říčany 251 01, Czech Republic

**Model identifier:** PW 32 GD

**Type of refrigerating appliance:**

Low-noise appliance:	No	Design type:	freestanding
Wine storage appliance:	Yes	Other refrigerating appliance:	No

**General product parameters:**

Parameter		Value	Parameter	Value
Overall dimensions (millimetre)	Height	853	Total volume (dm <sup>3</sup> or l)	85
	Width	380		
	Depth	570		
Energy efficiency Index (EEI)		171	Energy efficiency class*	G
Airborne acoustical noise emissions (dB(A) re 1 pW)		39	Airborne acoustical noise emission class	C
Annual energy consumption (kWh/a)		139	Climate class:	temperate, subtropical
Minimum ambient temperature (°C), for which the refrigerating appliance is suitable		16	Maximum ambient temperature (°C), for which the refrigerating appliance is suitable	38
Winter setting		No		

**Compartment Parameters:**

Compartment type		Compartment parameters and values			
		Compartment volume (dm <sup>3</sup> or l)	Recommended temperature setting for optimised food storage (°C) These settings shall not contradict the storage conditions set out in Annex IV, Table 3	Freezing capacity (kg/24h)	Defrosting type (auto-defrost=A, manual defrost=M)
Pantry	No	-	-	-	-
Wine storage	Yes	85	12	-	A
Cellar	No	-	-	-	-

Fresh food	No	-	-	-	-
Chill	No	-	-	-	-
0-star or ice-making	No	-	-	-	-
1-star	No	-	-	-	-
2-star	No	-	-	-	-
3-star	No	-	-	-	-
4-star	No	-	-	-	-
2-star section	No	-	-	-	-
Variable temperature compartment	-	-	-	-	-
<b>Light source parameters:</b>					
Type of light source			LED		
Energy efficiency class			-		
<b>Minimum duration of the guarantee offered by the manufacturer:</b> 24 months					
<b>Additional information:</b>					
<b>Weblink to the manufacturer's website, where the information in point4(a) Annex of Commission Regulation (EU) 2019/2019 is found:</b> <a href="https://www.fastcr.cz/">https://www.fastcr.cz/</a>					

\* A (highest efficiency) to G (lowest efficiency)

# Product Information Sheet



COMMISSION DELEGATED REGULATION (EU) 2019/2016

**Supplier's name or trademark:** PHILCO

**Supplier's address:** PHILCO, FAST ČR, a.s. U Sanitasu 1621 Říčany 251 01, Czech Republic

**Model identifier:** PW 38 GDFB

**Type of refrigerating appliance:**

Low-noise appliance:	No	Design type:	freestanding
Wine storage appliance:	Yes	Other refrigerating appliance:	No

**General product parameters:**

Parameter		Value	Parameter	Value
Overall dimensions (millimetre)	Height	820	Total volume (dm <sup>3</sup> or l)	116
	Width	595		
	Depth	570		
Energy efficiency Index (EEI)		170	Energy efficiency class*	G
Airborne acoustical noise emissions (dB(A) re 1 pW)		40	Airborne acoustical noise emission class	C
Annual energy consumption (kWh/a)		142	Climate class:	temperate, subtropical
Minimum ambient temperature (°C), for which the refrigerating appliance is suitable		16	Maximum ambient temperature (°C), for which the refrigerating appliance is suitable	38
Winter setting		No		

**Compartment Parameters:**

Compartment type	Compartment parameters and values				
	Compartment volume (dm <sup>3</sup> or l)	Recommended temperature setting for optimised food storage (°C) These settings shall not contradict the storage conditions set out in Annex IV, Table 3	Freezing capacity (kg/24h)	Defrosting type (auto-defrost=A, manual defrost=M)	
Pantry	No	-	-	-	
Wine storage	Yes	116	-	A	
Cellar	No	-	-	-	

Fresh food	No	-	-	-	-
Chill	No	-	-	-	-
0-star or ice-making	No	-	-	-	-
1-star	No	-	-	-	-
2-star	No	-	-	-	-
3-star	No	-	-	-	-
4-star	No	-	-	-	-
2-star section	No	-	-	-	-
Variable temperature compartment	-	-	-	-	-
<b>Light source parameters:</b>					
Type of light source	LED				
Energy efficiency class	-				
<b>Minimum duration of the guarantee offered by the manufacturer:</b> 24 months					
<b>Additional information:</b>					
<b>Weblink to the manufacturer's website, where the information in point4(a) Annex of Commission Regulation (EU) 2019/2019 is found:</b> <a href="https://www.fastcr.cz/">https://www.fastcr.cz/</a>					

\* A (highest efficiency) to G (lowest efficiency)

# Product Information Sheet



COMMISSION DELEGATED REGULATION (EU) 2019/2016

**Supplier's name or trademark:** PHILCO

**Supplier's address:** PHILCO, FAST ČR, a.s. U Sanitasu 1621 Říčany 251 01, Czech Republic

**Model identifier:** PW 46 GDFB

**Type of refrigerating appliance:**

Low-noise appliance:	No	Design type:	freestanding
Wine storage appliance:	Yes	Other refrigerating appliance:	No

**General product parameters:**

Parameter		Value	Parameter	Value
Overall dimensions (millimetre)	Height	813	Total volume (dm <sup>3</sup> or l)	135
	Width	595		
	Depth	570		
Energy efficiency Index (EEI)		181	Energy efficiency class*	G
Airborne acoustical noise emissions (dB(A) re 1 pW)		40	Airborne acoustical noise emission class	C
Annual energy consumption (kWh/a)		156	Climate class:	temperate, subtropical
Minimum ambient temperature (°C), for which the refrigerating appliance is suitable		16	Maximum ambient temperature (°C), for which the refrigerating appliance is suitable	38
Winter setting		No		

**Compartment Parameters:**

Compartment type	Compartment parameters and values				
	Compartment volume (dm <sup>3</sup> or l)	Recommended temperature setting for optimised food storage (°C) These settings shall not contradict the storage conditions set out in Annex IV, Table 3	Freezing capacity (kg/24h)	Defrosting type (auto-defrost=A, manual defrost=M)	
Pantry	No	-	-	-	
Wine storage	Yes	135	-	A	
Cellar	No	-	-	-	

Fresh food	No	-	-	-	-
Chill	No	-	-	-	-
0-star or ice-making	No	-	-	-	-
1-star	No	-	-	-	-
2-star	No	-	-	-	-
3-star	No	-	-	-	-
4-star	No	-	-	-	-
2-star section	No	-	-	-	-
Variable temperature compartment	-	-	-	-	-
<b>Light source parameters:</b>					
Type of light source			LED		
Energy efficiency class			-		
<b>Minimum duration of the guarantee offered by the manufacturer:</b> 24 months					
<b>Additional information:</b>					
<b>Weblink to the manufacturer's website, where the information in point4(a) Annex of Commission Regulation (EU) 2019/2019 is found:</b> <a href="https://www.fastcr.cz/">https://www.fastcr.cz/</a>					

\* A (highest efficiency) to G (lowest efficiency)

# Product Information Sheet



COMMISSION DELEGATED REGULATION (EU) 2019/2016

**Supplier's name or trademark:** PHILCO

**Supplier's address:** PHILCO, FAST ČR, a.s. U Sanitasu 1621 Říčany 251 01, Czech Republic

**Model identifier:** PW 166 GD

**Type of refrigerating appliance:**

Low-noise appliance:	No	Design type:	freestanding
Wine storage appliance:	Yes	Other refrigerating appliance:	No

**General product parameters:**

Parameter		Value	Parameter	Value
Overall dimensions (millimetre)	Height	1770	Total volume (dm <sup>3</sup> or l)	418
	Width	595		
	Depth	680		
Energy efficiency Index (EEI)		182	Energy efficiency class*	G
Airborne acoustical noise emissions (dB(A) re 1 pW)		40	Airborne acoustical noise emission class	C
Annual energy consumption (kWh/a)		192	Climate class:	temperate
Minimum ambient temperature (°C), for which the refrigerating appliance is suitable		16	Maximum ambient temperature (°C), for which the refrigerating appliance is suitable	32
Winter setting		No		

**Compartment Parameters:**

Compartment type	Compartment parameters and values				
		Compartment volume (dm <sup>3</sup> or l)	Recommended temperature setting for optimised food storage (°C) These settings shall not contradict the storage conditions set out in Annex IV, Table 3	Freezing capacity (kg/24h)	Defrosting type (auto-defrost=A, manual defrost=M)
Pantry	No	-	-	-	-
Wine storage	Yes	418	-	-	A
Cellar	No	-	-	-	-



Fresh food	No	-	-	-	-
Chill	No	-	-	-	-
0-star or ice-making	No	-	-	-	-
1-star	No	-	-	-	-
2-star	No	-	-	-	-
3-star	No	-	-	-	-
4-star	No	-	-	-	-
2-star section	No	-	-	-	-
Variable temperature compartment	-	-	-	-	-
<b>Light source parameters:</b>					
Type of light source	LED				
Energy efficiency class	-				
<b>Minimum duration of the guarantee offered by the manufacturer:</b> 24 months					
<b>Additional information:</b>					
<b>Weblink to the manufacturer's website, where the information in point4(a) Annex of Commission Regulation (EU) 2019/2019 is found:</b> <a href="https://www.fastcr.cz/">https://www.fastcr.cz/</a>					

\* A (highest efficiency) to G (lowest efficiency)

## TECHNICAL INFORMATION

Technical information can be found on the type plate on the inside of the appliance and on the energy label. The QR code, on the supplied energy label, contains a link to register the appliance in the EU Eprel database. Keep the energy label, the instructions for use, together with other documents supplied with the device.

## TESTING INFORMATION

The delivered device is in accordance with EcoDesign and EN62552-1/-2/-3:2020, EN 60704-1:2010 +A11:2012, EN 60704-2-14:2013+A11:2015+A1:2019. Air access requirements for proper operation of the device, the minimum distance from the wall and the dimensions of the device are part of this manual. If you have any further questions, please contact the manufacturer.

## CUSTOMER CARE AND SERVICE

Always use original spare parts.

Model name and serial number can be found on the rating plate. Position of rating plate can be changed without notice.

The original spare parts for some specific components are available for a minimum of 7 or 10 years, based on the type of component, from the placing on the market of the last unit of the model.

When contacting our authorized service, have the model designation, serial number and defect description available.

To download documents, visit [www.philco.cz](http://www.philco.cz).

To report a defect and obtain additional service information, visit <https://philco.cz/podpora-a-servis>.

Subject to change without notice.

# INSTRUCTIONS AND INFORMATION REGARDING THE DISPOSAL OF USED PACKAGING MATERIALS

Dispose of packaging material at a public waste disposal site.

## DISPOSAL OF USED ELECTRICAL AND ELECTRONIC APPLIANCES



The meaning of the symbol on the product, its accessory or packaging indicates that this product shall not be treated as household waste. Please, dispose of this product at your applicable collection point for the recycling of electrical & electronic equipment waste. Alternatively in some states of the European Union or other European states you may return your products to your local retailer when buying an equivalent new product. The correct disposal of this product will help save valuable natural resources and help in preventing the potential negative impact on the environment and human health, which could be caused as a result of improper liquidation of waste. Please ask your local authorities or the nearest waste collection centre for further details. The improper disposal of this type of waste may fall subject to national regulations for fines.

### For business entities in the European Union

If you wish to dispose of an electrical or electronic device, request the necessary information from your seller or supplier.

### Disposal in other countries outside the European Union

If you wish to dispose of this product, request the necessary information about the correct disposal method from local government departments or from your seller.



This product meets all the basic EU regulation requirements that relate to it.

Changes to the text, design and technical specifications may occur without prior notice and we reserve the right to make these changes.

Original of this user manual is Czech.



**WARNING!** DURING USING, SERVICE AND DISPOSAL THE APPLIANCE, PLEASE PAY ATTENTION TO SYMBOL SIMILAR AS LEFT SIDE, WHICH IS LOCATED ON REAR OF APPLIANCE (REAR PANEL OR COMPRESSOR) AND WITH YELLOW OR ORANGE COLOR.



IT'S RISK OF RE WARNING SYMBOL. THERE ARE FLAMMABLE MATERIALS IN REFRIGERANT PIPES AND COMPRESSOR. PLEASE BE FAR AWAY RE SOURCE DURING USING, SERVICE AND DISPOSAL.



Výrobce/Manufacturer:  
Fast ČR, a.s.  
U Sanitasu 1621  
Říčany 251 01, CZECH REPUBLIC

Distributor:  
FAST PLUS, a.s.  
Na pántoch 18  
831 06 Bratislava, SLOVAKIA

Distributor:  
FAST POLAND Sp. z o. o.  
Kwietniowa 36  
05-090 Wypędy, POLAND

**PHILCO**<sup>®</sup> 

**is a pending or registered trademark of Electrolux Home Products, Inc. and used under a license from Electrolux Home Products, Inc.**