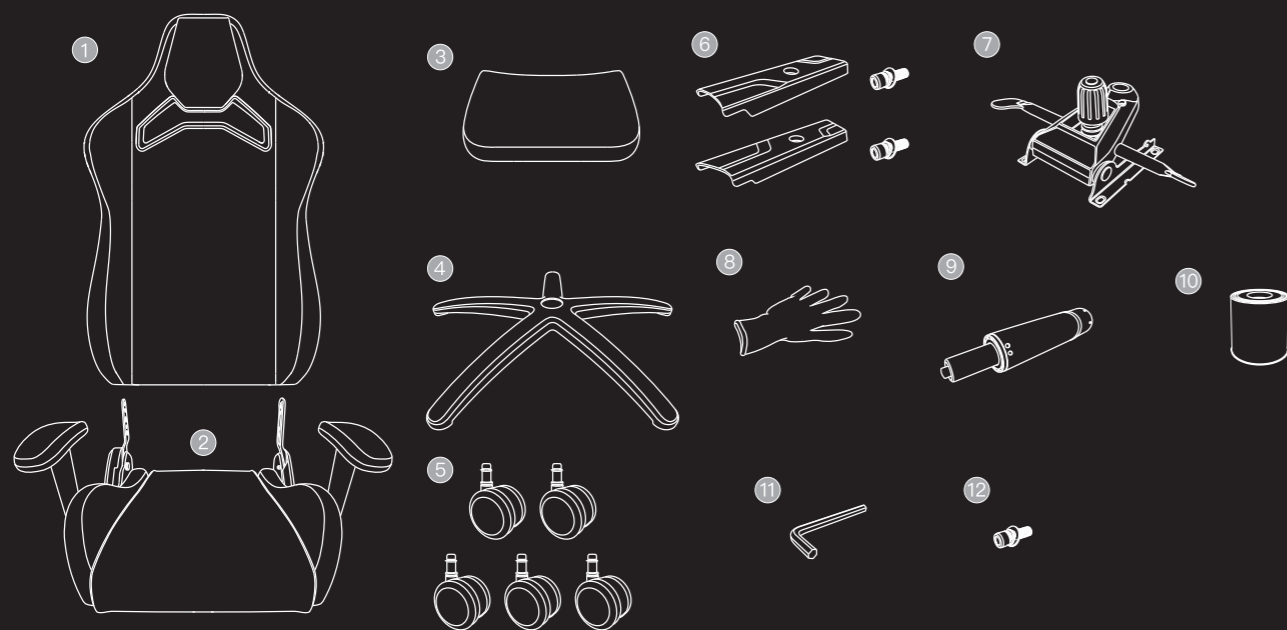


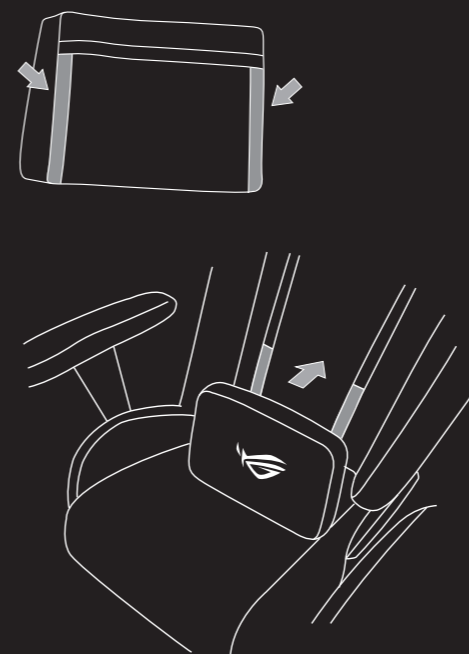
## A Package Contents



1. Backrest	5. Wheels	9. Hydraulic lift cylinder
2. Seat base	6. Side covers with bolts	10. Telescoping cover
3. Lumbar cushion	7. Control unit	11. Hex Key
4. Wheel base	8. Gloves	12. Spare bolt

Note: The illustrations are for reference only and may differ from your actual chair in appearance and features.

## C Installing the Lumbar cushion



The chair and the Lumbar cushion are designed with Velcro fasteners. Attach the Lumbar cushion to the chair using the Velcro fasteners.

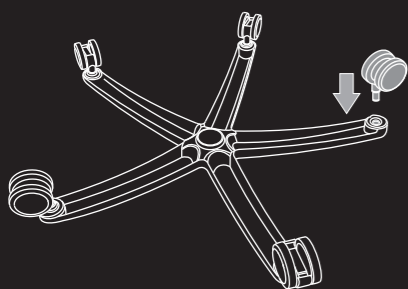
## E Other features



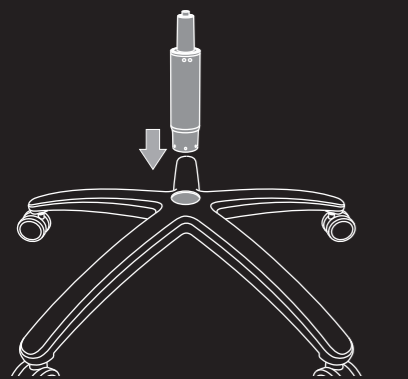
Hanger at the back of the chair for hanging your bags, clothes, cups and more.  
Maximum load: 2kg  
Please do not hang items over 2kg.

## B Assembling your chair

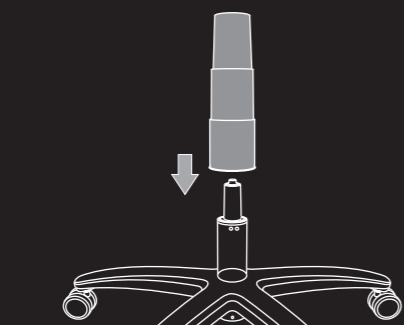
Put on the gloves before installation.



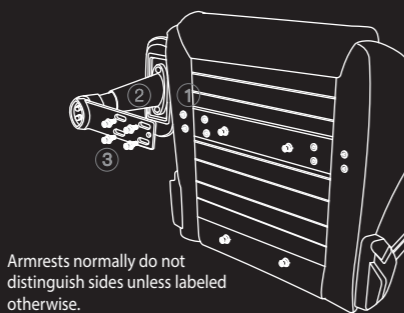
1 One by one, insert and push the wheels into the base.



2 Insert the hydraulic lift cylinder into the center hole of the base. Remove the red protective cap on top if there was any.



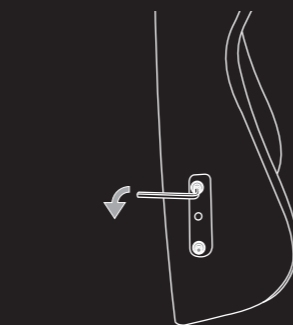
3 Place the telescoping cover on the top of the hydraulic lift cylinder.



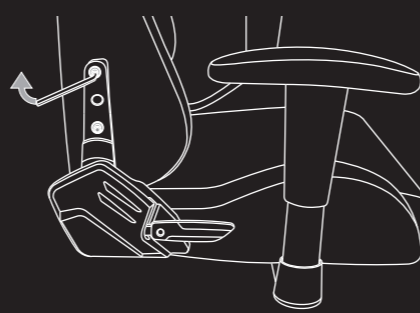
Armrests normally do not distinguish sides unless labeled otherwise.

For models with armrest pre-assembled, please skip this step.

4 Remove the pre-assembled bolts and washers (1 & 3). Place the 4 large washers (1) between the armrest mounting bar (2) and the seat base. Hold the armrest in place, then insert and tighten all 4 bolts (3). Use the hex key to tighten them all, and repeat on the other side.



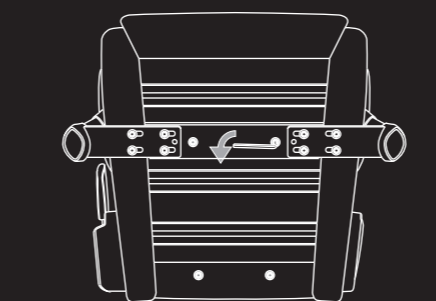
5 Use the hex key to remove the pre-assembled bolts and washers from the backrest.



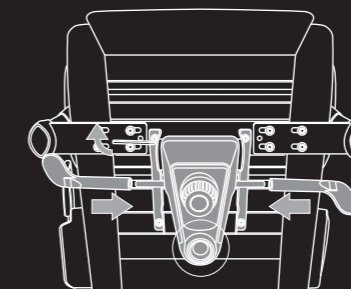
6 Remove the protective foam covers from the brackets of the seat base. Then position the backrest carefully between the brackets. Insert and attach the 4 bolts (2 on each side) you removed in step 5 by hand first. Then use the hex key to tighten them. Start with the two bolts on the top of each side, then the bottom two.



7 Install the side covers and tighten the bolts. (The covers are marked "L" for the left side and "R" for the right on the inside.)



8 Now flip the chair over, facing down. Then remove the 4 pre-mounted bolts from the underside with washers.



9 Repeat the step above to install the control unit, and then place the nut to mount the hydraulic lift cylinder facing the back of the seat (where the backrest is installed).



10 Insert top of the hydraulic lift cylinder into the mounting hole on the control unit, and then turn the chair over in upright position. (Two-person handling required for your safety)







