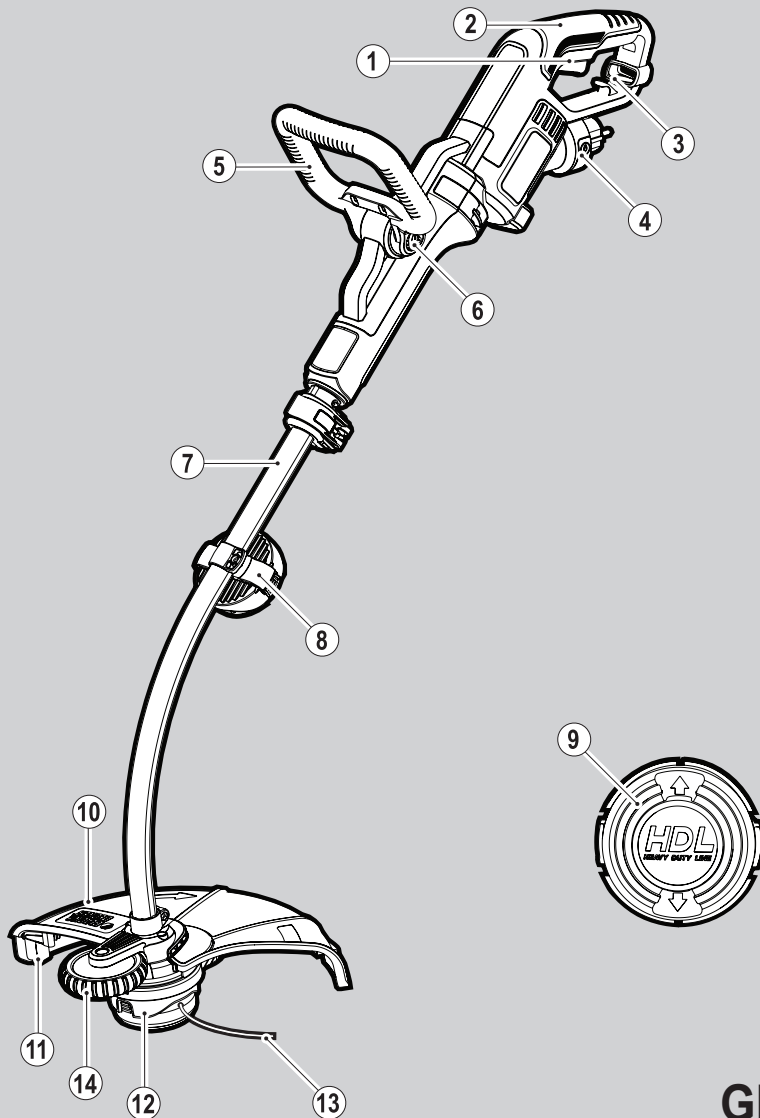


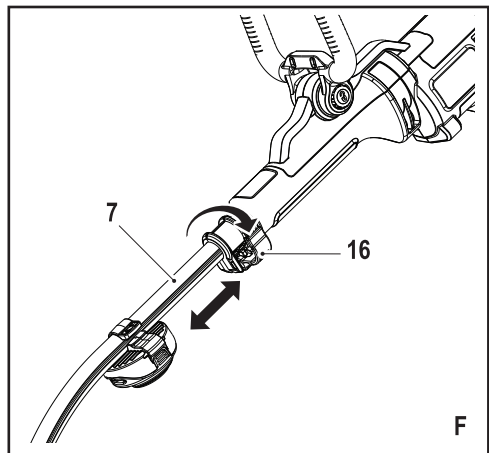
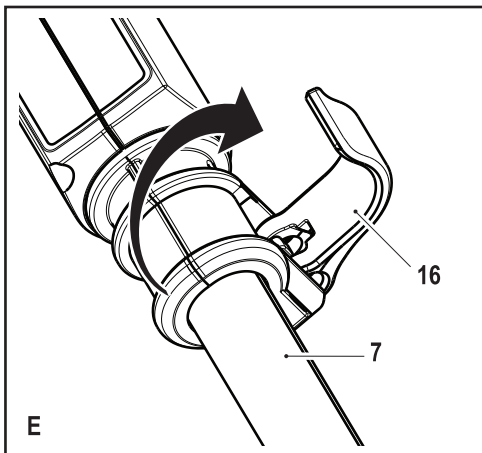
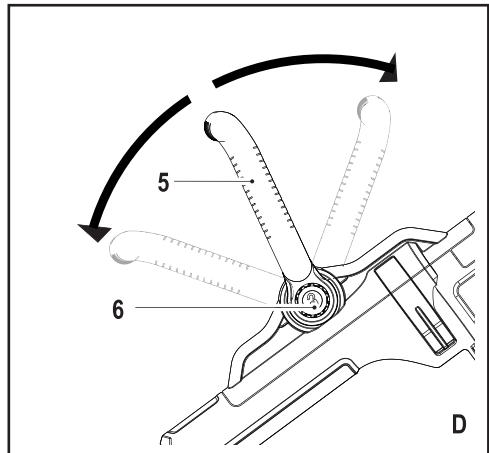
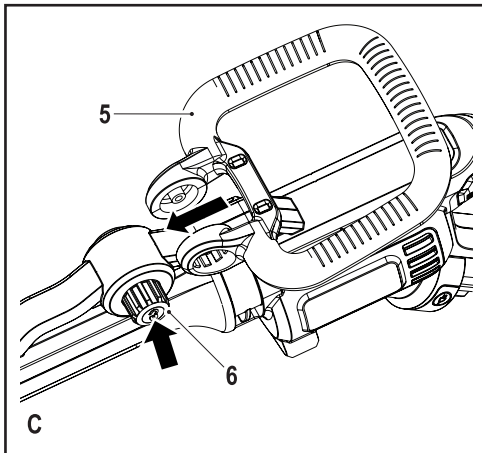
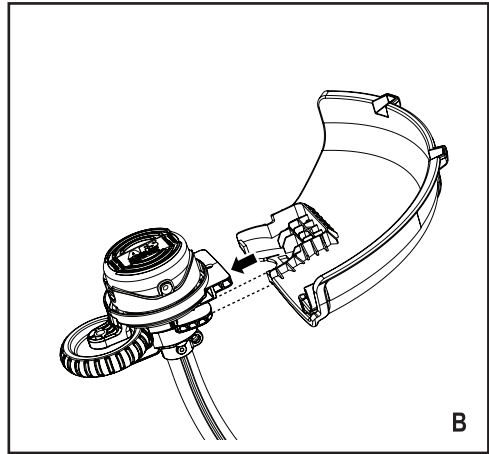
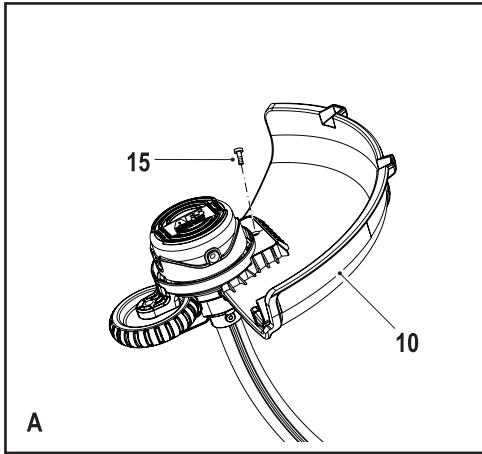
BLACK&DECKER®

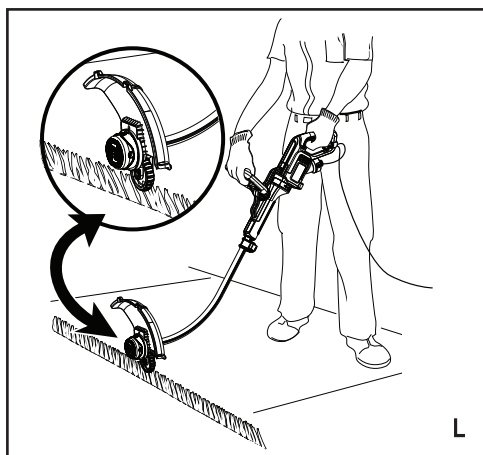
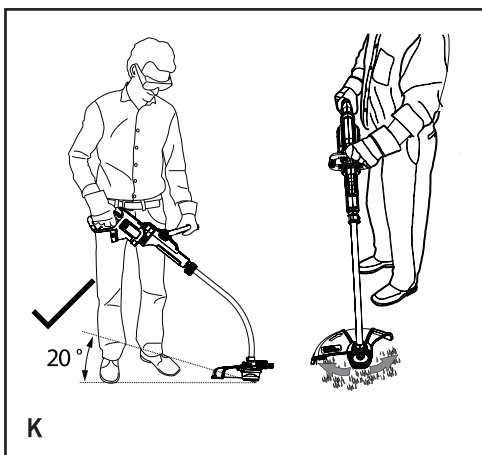
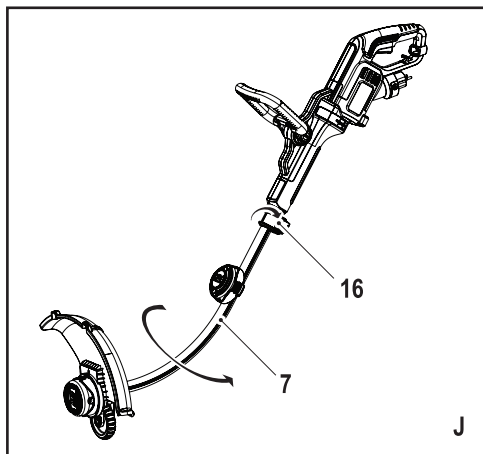
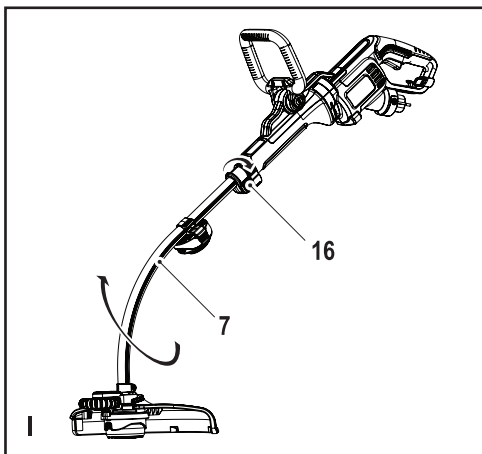
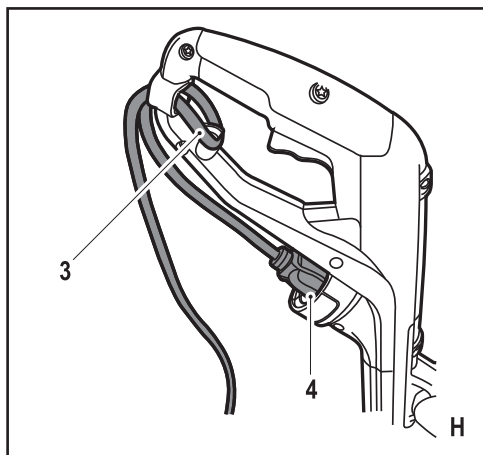
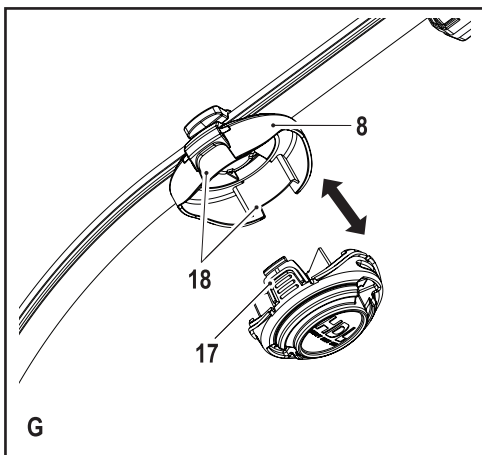


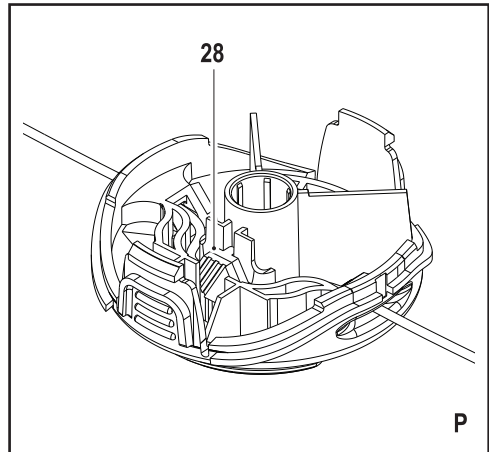
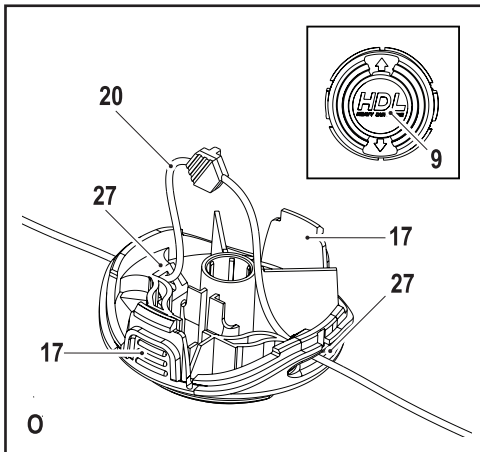
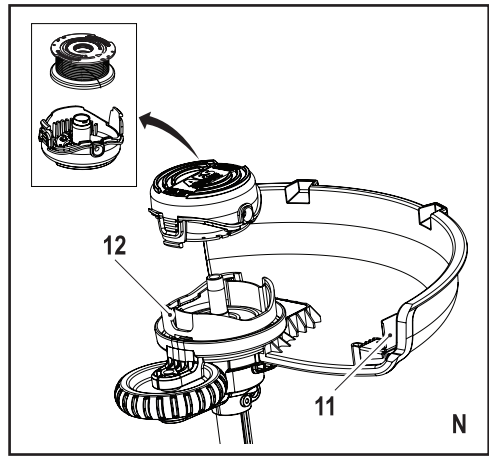
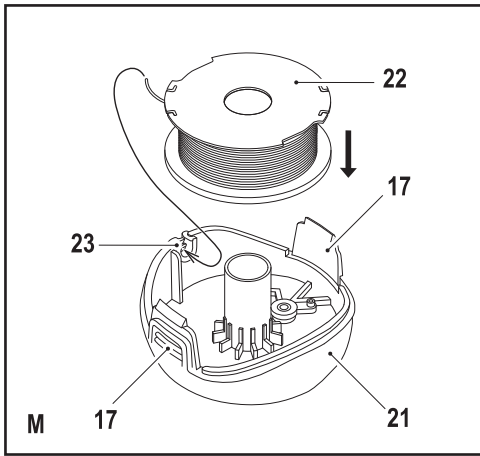
www.blackanddecker.eu

GL7033
GL8033
GL9035

English	(Original instructions)	6
Deutsch	(Übersetzung der Originalanleitung)	12
Français	(Traduction des instructions d'origine)	19
Česky	(Přeloženo z původního návodu)	26
Magyar	(Fordítás az eredeti kezelési utasítás alapján készült)	32
Polski	(Tłumaczenie oryginalnej instrukcji)	39
Slovenčina	(Preložené z pôvodného návodu)	46
Русский язык	(Перевод с оригинала инструкции)	53
Українська	(Переклад оригінальних інструкцій)	61
Türkçe	(Çevirisi orijinal talimatlardan yapılmıştır)	69







Intended use

Your Black & Decker trimmer has been designed for trimming and finishing lawn edges and to cut grass in confined spaces. This appliance is intended for consumer use only.

Safety instructions

Warning! When using mains-powered appliances, basic safety precautions, including the following, should always be followed to reduce the risk of fire, electric shock, personal injury and material damage.

Warning! When using the machine the safety rules must be followed. For your own safety and bystanders please read these instructions before operating the machine. Please keep the instructions safe for later use.

- ◆ Read all of this manual carefully before operating the appliance.
- ◆ The intended use is described in this manual. The use of any accessory or attachment or the performance of any operation with this appliance other than those recommended in this instruction manual may present a risk of personal injury.
- ◆ Retain this manual for future reference.

Using your appliance

Always take care when using the appliance.

- ◆ Always use safety glasses or goggles.
- ◆ Never allow children or people unfamiliar with the instructions to use the appliance.
- ◆ Do not allow children or animals to come near the work area or to touch the appliance or power supply cord.
- ◆ Close supervision is necessary when the appliance is used near children.
- ◆ This appliance is not intended for use by young or infirm persons without supervision.
- ◆ This appliance is not to be used as a toy.
- ◆ Only use the appliance in daylight or good artificial light.
- ◆ Use in a dry location only. Do not allow the appliance to become wet.
- ◆ Do not immerse the appliance in water.
- ◆ Do not open the body casing. There are not user-serviceable parts inside.
- ◆ Do not operate the appliance in explosive atmospheres, such as in the presence of flammable liquids, gases or dust.
- ◆ To reduce the risk of damage to plugs or cords, never pull the cable to remove the plug from a socket.

Safety of others

- ◆ This appliance is not intended for use by persons (including children) with reduced physical, sensory or mental capabilities, or lack of experience and knowledge, unless they have been given supervision or instruction concerning use of the appliance by a person responsible for their safety.
- ◆ Children must be supervised to ensure that they do not play with the appliance.
- ◆ Stop using the machine while people, especially children, or pets are nearby.

Residual risks.

Additional residual risks may arise when using the tool which may not be included in the enclosed safety warnings. These risks can arise from misuse, prolonged use etc.

Even with the application of the relevant safety regulations and the implementation of safety devices, certain residual risks can not be avoided. These include:

- ◆ Injuries caused by touching any rotating/moving parts.
- ◆ Injuries caused when changing any parts, blades or accessories.
- ◆ Injuries caused by prolonged use of a tool. When using any tool for prolonged periods ensure you take regular breaks.
- ◆ Impairment of hearing.
- ◆ Health hazards caused by breathing dust developed when using your tool (example:- working with wood, especially oak, beech and MDF.)

After use

- ◆ When not in use, the appliance should be stored in a dry, well ventilated place out of reach of children.
- ◆ Children should not have access to stored appliances.
- ◆ When the appliance is stored or transported in a vehicle it should be placed in the boot or restrained to prevent movement following sudden changes in speed or direction.

Inspection and repairs

- ◆ Disconnect the machine from the mains before checking, cleaning or working on the machine and when it is in use.
- ◆ Before use, check the appliance for damaged or defective parts. Check for breakage of parts and any other conditions that may affect its operation.
- ◆ Do not use the appliance if any part is damaged or defective.

- ◆ Have any damaged or defective parts repaired or replaced by an authorised repair agent.
- ◆ Never attempt to remove or replace any parts other than those specified in this manual.

Using an extension cable

Always use an approved extension cable suitable for the power input of this appliance (see technical data). The extension cable must be suitable for outdoor use and marked accordingly. Up to 30 m of 1.5 mm² HO5VV-F extension cable can be used without loss of product performance. Before use, inspect the extension cable for signs of damage, wear and ageing. Replace the extension cable if damaged or defective. When using a cable reel, always unwind the cable completely.

Additional safety instructions for grass trimmers

Warning! Cutting elements continue to rotate after the motor is switched off.

- ◆ Be familiar with the controls and the proper use of the appliance.
- ◆ Before use, check the power supply cord and extension cord for signs of damage, ageing and wear. If a cord becomes damaged during use, disconnect the cord from the mains supply immediately. **DO NOT TOUCH THE CORD BEFORE DISCONNECTING THE SUPPLY.**
- ◆ Do not use the appliance if the cords are damaged or worn.
- ◆ Wear stout shoes or boots to protect your feet.
- ◆ Wear long trousers to protect your legs.
- ◆ Before using the appliance, check that your cutting path is free from sticks, stones, wire and any other obstacles.
- ◆ Only use the appliance in the upright position, with the cutting line near the ground. Never switch the appliance on in any other position.
- ◆ Move slowly when using the appliance. Be aware that freshly cut grass is damp and slippery.
- ◆ Do not work on steep slopes. Work across the face of slopes, not up and down.
- ◆ Never cross gravel paths or roads while the appliance is running.
- ◆ Never touch the cutting line while the appliance is running.
- ◆ Do not put the appliance down until the cutting line has come to a complete standstill.
- ◆ Use only the appropriate type of cutting line. Never use metal cutting line or fishing line.
- ◆ Be careful not to touch the line trimming blade.

- ◆ Take care to keep the mains cable away from the cutting line. Always be aware of the position of the cable.
- ◆ Keep hands and feet away from the cutting line at all times, especially when switching on the motor.
- ◆ Before using the appliance and after any impact, check for signs of wear or damage and repair as necessary.
- ◆ Never operate the appliance with damaged guards or without guards in place.
- ◆ Take care against injury from any device fitted for trimming the filament line length. After extending new cutter line always return the machine to its normal operating position before switching on.
- ◆ Always ensure that the ventilation slots are kept clear of debris.
- ◆ Do not use the lawn trimmer (edge trimmer), if the cords are damaged or worn.
- ◆ Keep extension cords away from cutting elements.

Labels on appliance

The following warning symbols are found on the appliance:



Read the manual prior to operation.



Wear safety glasses or goggles when operating this appliance.



Wear suitable ear protectors when operating this appliance.



Always remove the plug from the socket before inspecting a damaged cable. Do not use your strimmer if the cable is damaged.



Beware of flying objects. Keep bystanders away from the cutting area.



Do not expose the appliance to rain or high humidity.



Directive 2000/14/EC guaranteed sound power.

Electrical safety



This appliance is double insulated; therefore no earth wire is required. Always check that the power supply corresponds to the voltage on the rating plate.

- ◆ If the supply cord is damaged, it must be replaced by the manufacturer or an authorised Black & Decker Service Centre in order to avoid a hazard.
- ◆ Electric safety can be further improved by using a high sensitivity 30 mA Residual Current Device (RCD).

Features

This appliance includes some or all of the following features.

1. On/Off switch
2. Handle
3. Cable restraint
4. Power inlet
5. Secondary handle
6. Adjustment button
7. Tube
8. Spare spool storage
9. HDL cap
10. Guard
11. Line trimming blade
12. Spool housing
13. Cutting line
14. Edge wheel

Assembly

Warning! Before assembly, make sure that the tool is switched off and unplugged.

Fitting the guard (fig. A & B)

- ◆ Remove the screw (15) from the guard (10).
- ◆ Place the guard (10) onto the tool as shown.
- ◆ Firmly press the guard until it snaps into place.
- ◆ Secure the guard with the screw.
- ◆ Tighten the screw.

Warning! Never use the tool unless the guard is properly fitted.

Attaching the secondary handle (fig. C)

- ◆ Press in and hold the adjustment button (6) on the side of the main body.
- ◆ Slide the secondary handle (5) in place over the adjustment button (6).

Warning! Ensure that the teeth on the button are correctly aligned in slots in the handle and that the handle is secure.

Adjusting the position of the secondary handle (fig. D)

The secondary handle (5) can be adjusted to provide optimum balance and comfort.

- ◆ Press in the adjustment button (6) on the left side of the handle.

- ◆ Rotate the second handle (5) into the required position.

- ◆ Release the adjustment button (6).

Warning! Ensure that the teeth on the button are correctly aligned in slots in the handle and that the handle is secure.

Adjusting the height of the tool (fig. E & F)

This tool has a telescopic mechanism, allowing you to set it to a comfortable height. There are multiple height settings. To adjust the height setting, proceed as follows:

- ◆ Release the height adjust locking clamp (16).
- ◆ Gently pull the tube (7) up or down to the desired height.
- ◆ Close the height adjust locking clamp (16).

Releasing the cutting line

In transit, the cutting line is taped to the spool housing.

- ◆ Remove the tape holding the cutting line to the spool housing (12).

Storing the spool not in use (fig. G)

The tool has two cutting systems:

- ◆ **AFS:** Single line autofeed for light trimming and edging.
- ◆ **HDL:** Heavy Duty Dual Line cutting system for more overgrown areas.

Note: The HDL spool may be used in trimming mode only.

The cutting system not in use can be stored in the spare spool storage (GL8033 & GL9035 Only).

- ◆ Align the tabs (17) on the spool cover with the cut outs (18) in the spare spool storage (8).
- ◆ Push the cover onto the spare spool storage until it snaps securely into place.

Connecting the tool to the mains (fig. H)

- ◆ Connect the female plug of a suitable extension cable to the power inlet (4).
- ◆ Loop the cable through the cable restraint (3).
- ◆ Insert the mains plug into a mains outlet.

For wired in cable units: Make sure the cable is looped through the cable restraint prior to connecting the plug to the mains outlet.

Warning! The extension cable must be suitable for outdoor use.

Use

Warning! Let the tool work at its own pace. Do not overload.

Setting the tool to trimming or edging mode (fig. I & J)

The tool can be used in trimming mode as shown in fig. I or in edging mode to trim overhanging grass along lawn edges and flower beds as shown in fig. J.

Trimming mode (fig. I)

For trimming, the trimmer head should be in the position shown in fig. I. If it is not:

- ◆ Release the height adjust locking clamp (16).
- ◆ Rotate the tube (7) clockwise.
- ◆ When the head is in position, close the height adjust locking clamp (16).

Note: The tube will only rotate in one direction.

Note: The HDL spool may be used in trimming mode.

Edging mode (fig. J)

For edging, the trimmer head should be in the position shown in fig. J. If it is not:

- ◆ Release the height adjust locking clamp (16).
- ◆ Rotate the tube (7) anti-clockwise.
- ◆ When the head is in position, close the height adjust locking clamp (16).

Note: The tube will only rotate in one direction.

Switching on and off

- ◆ To switch the tool on, squeeze the on/off switch (1).
- ◆ To switch the tool off, release the trigger lever.

Warning! Never attempt to lock the trigger lever in the on position.

Hints for optimum use

General

- ◆ In order to achieve optimum cutting results, only cut dry grass.

Trimming

- ◆ Hold the tool as shown in fig. K.
- ◆ Gently swing the trimmer from side to side.
- ◆ When cutting long grass, work in stages from the top. Take small cuts.
- ◆ Keep the tool away from hard objects and delicate plants.
- ◆ Cutting line will wear faster and require more feeding if the cutting is done along pavements or other abrasive surfaces or heavier weeds are being cut.
- ◆ If the tool starts running slowly, reduce the load.

Edging

Optimum cutting results are achieved on edges deeper than 50 mm.

- ◆ Do not use the tool to create edges. To create edges, use an edging spade.

- ◆ Guide the tool on its wheel as shown in fig. L.
- ◆ To make a closer cut, slightly tilt the tool.

Fitting a new spool of cutting line (fig. M & N)

Replacement spools of cutting line are available from your Black & Decker dealer (cat. no. A6482). Packs containing 3 spools of cutting line are also available (cat. no. A6486).

- ◆ Unplug the tool.
- ◆ Keep the tabs (17) depressed and remove the spool cover (21) from the housing (12) (fig. M).
- ◆ Remove the empty spool (22) from the spool cover.
- ◆ Remove any dirt and grass from the spool cover and housing.
- ◆ Unclip the end of the cutting line and guide the line into the eyelet (23) (fig. M). The line should protrude approx. 11 cm from the spool cover.

Note: Take care not to allow the the line on the spool to unravel. Hold it firmly with one hand at all times.

- ◆ Take the new spool and push it onto the boss in the spool cover. Rotate the spool slightly until it is seated.
- ◆ Align the tabs (17) on the spool cover with the cut outs (24) in the housing (12).
- ◆ Push the cover onto the housing until it snaps securely into place.

Warning! If the cutting lines protrude beyond the trimming blade (11), cut it off so that it just reaches the blade.

Fitting a new piece of heavy duty cutting line (fig. O & P)

Replacement packs of 10 heavy duty cutting lines are available from your Black & Decker dealer (cat. no. A6489). To fit a new piece of cutting line, proceed as follows:

- ◆ Unplug the tool.
- ◆ Keep the tabs (17) depressed and remove the HDL cap (9) from the housing (12).
- ◆ Remove any dirt and grass from the HDL cap (9) and housing.
- ◆ Remove the used piece of line from the HDL cap (9).
- ◆ Thread a new piece of line (20) through the eyelets (27) in either side of the HDL cap.
- ◆ Put the central ferrule (28) in the indicated position (Fig. P).
- ◆ Re-fit the HDL cap.

Warning! Only use the appropriate type of Black & Decker cutting line.

Mains plug replacement (U.K. & Ireland only)

If a new mains plug needs to be fitted:

- ◆ Safely dispose of the old plug.
- ◆ Connect the brown lead to the live terminal in the new plug.
- ◆ Connect the blue lead to the neutral terminal.

Warning! No connection is to be made to the earth terminal. Follow the fitting instructions supplied with good quality plugs. Recommended fuse: 5 A.

Troubleshooting

If your tool seems not to operate properly, follow the instructions below. If this does not solve the problem, please contact your local Black & Decker repair agent.

Warning! Before proceeding, unplug the tool.

Tool runs slowly

- ◆ Check that the spool housing can rotate freely. Carefully clean it if necessary.
- ◆ Check that the cutting line does not protrude more than 11 cm from the spool housing. If it does, cut it off so that it just reaches the line trimming blade.

Automatic line feed does not work

- ◆ Keep the tabs depressed and remove the spool cover from the housing.
- ◆ Pull the cutting line until it protrudes 11 cm from the housing. If insufficient cutting line is left on the spool, install a new spool of cutting line as instructed above.
- ◆ Align the tabs on the spool cover with the cut outs in the housing.
- ◆ Push the cover onto the housing until it snaps securely into place.
- ◆ If the cutting line protrudes beyond the trimming blade, cut it off so that it just reaches the blade.

If the automatic line feed still does not work or the spool is jammed, try the following suggestions:

- ◆ Carefully clean the spool cover and housing.
- ◆ Remove the spool and check if the lever can move freely.
- ◆ Remove the spool and unwind the cutting line, then wind it on neatly again as described above. Replace the spool as instructed.

Protecting the environment



Separate collection. This product must not be disposed of with normal household waste.

Should you find one day that your Black & Decker product needs replacement, or if it is of no further

use to you, do not dispose of it with household waste. Make this product available for separate collection.



Separate collection of used products and packaging allows materials to be recycled and used again. Re-use of recycled materials helps prevent environmental pollution and reduces the demand for raw materials.

Local regulations may provide for separate collection of electrical products from the household, at municipal waste sites or by the retailer when you purchase a new product.

Black & Decker provides a facility for the collection and recycling of Black & Decker products once they have reached the end of their working life. To take advantage of this service please return your product to any authorised repair agent who will collect them on our behalf.

You can check the location of your nearest authorised repair agent by contacting your local Black & Decker office at the address indicated in this manual. Alternatively, a list of authorised Black & Decker repair agents and full details of our after-sales service and contacts are available on the Internet at: www.2helpU.com.

Technical data

	GL7033 (Type 1)	GL8033 (Type 1)	GL9035 (Type 1)
Voltage	V _{AC} 230	230	230
Power input	W 700	800	900
No-load speed	min ⁻¹ 7000	7000	7000
Weight	kg 3.2	3.2	3.2

Level of sound pressure:

Sound pressure (L_{pa}) 80 dB(A), uncertainty (K) 2 dB(A),
Sound power (L_{wa}) 94 dB(A), uncertainty (K) 2 dB(A)

Vibration total values (triax vector sum) according to EN 786:

Vibration emission value (a_v) 8.2 m/s², uncertainty (K) 1.5 m/s²

EC declaration of conformityMACHINERY DIRECTIVE
OUTDOOR NOISE DIRECTIVE**GL7033/GL8033/GL9035**

Black & Decker declares that these products described under „technical data“ are in compliance with: 2006/42/EC, EN 60335-1, EN 60335-2-91 2000/14/EC, Lawn Trimmer, $L \leq 50$ cm, Annex VIII KEMA Quality B.V., Utrechtseweg 310, 6802 ED Arnhem, The Netherlands
Notified Body ID No.: 0344

Level of sound power according to 2000/14/EC (Article 12, Annex III, $L \leq 50$ cm):

L_{WA} (measured sound power) 94 dB(A)
uncertainty (K) = 2 dB(A)

L_{WA} (guaranteed sound power) 96 dB(A)
uncertainty (K) = 2 dB(A)

These products also comply with directive 2004/108/EC and 2011/65/EU.

For more information, please contact Black & Decker at the following address or refer to the back of the manual. The undersigned is responsible for compilation of the technical file and makes this declaration on behalf of Black & Decker.

Kevin Hewitt
Vice-President
Global Engineering
Black & Decker Europe,
210 Bath Road, Slough,
Berkshire, SL1 3YD
United Kingdom
17-10-2012

- ◆ The product has been used for trade, professional or hire purposes;
- ◆ The product has been subjected to misuse or neglect;
- ◆ The product has sustained damage through foreign objects, substances or accidents;
- ◆ Repairs have been attempted by persons other than authorised repair agents or Black & Decker service staff.

To claim on the guarantee, you will need to submit proof of purchase to the seller or an authorised repair agent. You can check the location of your nearest authorised repair agent by contacting your local Black & Decker office at the address indicated in this manual. Alternatively, a list of authorised Black & Decker repair agents and full details of our aftersales service and contacts are available on the Internet at: **www.2helpU.com**.

Please visit our website **www.blackanddecker.co.uk** to register your new Black & Decker product and to be kept up to date on new products and special offers. Further information on the Black & Decker brand and our range of products is available at **www.blackanddecker.co.uk**.

Guarantee

Black & Decker is confident of the quality of its products and offers an outstanding guarantee. This guarantee statement is in addition to and in no way prejudices your statutory rights. The guarantee is valid within the territories of the Member States of the European Union and the European Free Trade Area.

If a Black & Decker product becomes defective due to faulty materials, workmanship or lack of conformity, within 24 months from the date of purchase, Black & Decker guarantees to replace defective parts, repair products subjected to fair wear and tear or replace such products to ensure minimum inconvenience to the customer unless:

Bestimmungsgemäße Verwendung

Ihr Black & Decker Rasentrimmer wurde für das Trimmen und Zuschneiden von Rasenkanten sowie für das Schneiden von Gras in beengten Platzverhältnissen entwickelt. Dieses Gerät ist nicht für den gewerblichen Einsatz vorgesehen.

Sicherheitshinweise

Achtung! Beachten Sie beim Umgang mit netzstrombetriebenen Geräten stets die grundlegenden Sicherheitshinweise, die im Folgenden beschrieben werden. Dadurch verhindern Sie Brände, Stromschläge sowie Sach- und Personenschäden.

Achtung! Beachten Sie beim Verwenden des Geräts unbedingt die Sicherheitsregeln. Lesen Sie zu Ihrer eigenen Sicherheit und zum Schutz in der Nähe befindlicher Personen vor Gebrauch des Geräts die folgende Bedienungsanleitung. Heben Sie diese Anleitung zur späteren Verwendung gut auf.

- ◆ Lesen Sie diese Anleitung vollständig und aufmerksam durch, bevor Sie das Gerät verwenden.
- ◆ Der vorgesehene Verwendungszweck ist in dieser Anleitung beschrieben. Bei Verwendung von Zubehör oder Anbauteilen, die nicht in dieser Anleitung empfohlen werden, sowie bei der Verwendung des Geräts in Abweichung von den in dieser Anleitung beschriebenen Verfahren besteht Verletzungsgefahr.
- ◆ Bewahren Sie diese Anleitung auf.

Verwendung des Geräts

Verwenden Sie das Gerät stets mit Umsicht.

- ◆ Tragen Sie stets eine Schutzbrille.
- ◆ Das Gerät darf nicht von Kindern und Personen genutzt werden, die die vorliegenden Anleitungen nicht gelesen haben.
- ◆ Achten Sie darauf, dass sich im Arbeitsbereich keine Kinder oder Tiere aufhalten. Verhindern Sie, dass Kinder das Gerät oder das Netzkabel berühren.
- ◆ Seien Sie besonders vorsichtig, wenn Sie das Gerät in der Nähe von Kindern verwenden.
- ◆ Das Gerät ist nicht für die unbeaufsichtigte Verwendung durch Kinder oder gebrechliche Personen vorgesehen.
- ◆ Das Gerät ist kein Spielzeug.
- ◆ Betreiben Sie das Gerät nur bei Tageslicht oder bei ausreichender Beleuchtung.
- ◆ Verwenden Sie das Gerät nur in trockener Umgebung. Achten Sie darauf, dass das Gerät nicht nass wird.
- ◆ Tauchen Sie das Gerät nicht in Wasser.

- ◆ Versuchen Sie nicht, das Gehäuse zu öffnen. Im Inneren befinden sich keine zu wartenden Teile.
- ◆ Betreiben Sie das Gerät nicht in explosionsgefährdeter Umgebung, in der sich brennbare Flüssigkeiten, Gase oder Staub befinden.
- ◆ Ziehen Sie niemals am Kabel, wenn Sie den Stecker aus der Steckdose ziehen möchten. Kabel und Stecker könnten sonst beschädigt werden.

Sicherheit anderer Personen

- ◆ Dieses Gerät darf nicht von Personen (einschließlich Kindern) mit eingeschränkten körperlichen, sensorischen oder geistigen Fähigkeiten sowie mangelnder Erfahrung und Kenntnissen bedient werden, es sei denn, sie werden bei der Verwendung des Geräts von einer erfahrenen Person beaufsichtigt oder angeleitet.
- ◆ Kinder müssen beaufsichtigt werden, um sicherzustellen, dass sie nicht mit dem Gerät spielen.
- ◆ Stoppen Sie die Maschine, während die Menschen, insbesondere Kinder, oder Haustiere in der Nähe sind.

Restrisiken.

Für den Gebrauch dieses Geräts verbleiben zusätzliche Restrisiken, die möglicherweise nicht in den Sicherheitswarnungen genannt werden. Diese Risiken bestehen beispielsweise bei Missbrauch oder längerem Gebrauch.

Auch bei der Einhaltung der entsprechenden Sicherheitsvorschriften und der Verwendung aller Sicherheitsgeräte bestehen weiterhin bestimmte Restrisiken. Diese werden im Folgenden aufgeführt:

- ◆ Das Berühren von sich drehenden/bewegenden Teilen kann Verletzungen zur Folge haben.
- ◆ Der Austausch von Teilen, Messern oder Zubehör kann Verletzungen zur Folge haben.
- ◆ Der längere Gebrauch eines Geräts kann Verletzungen zur Folge haben. Legen Sie bei längerem Gebrauch regelmäßige Pausen ein.
- ◆ Beeinträchtigung des Gehörs.
- ◆ Gesundheitsrisiken durch das Einatmen von Staub beim Verwenden des Geräts (beispielsweise bei Holzarbeiten, insbesondere Eiche, Buche und Pressspan).

Nach dem Gebrauch

- ◆ Bewahren Sie das Gerät bei Nichtgebrauch an einem trockenen, gut belüfteten Ort außerhalb der Reichweite von Kindern auf.
- ◆ Kinder sollten keinen Zugang zu aufbewahrten Geräten haben.

- ◆ Wenn das Gerät in einem Fahrzeug transportiert oder gelagert wird, bewahren Sie es im Kofferraum oder einer geeigneten Ablage auf, damit es bei plötzlichen Geschwindigkeits- oder Richtungsänderungen nicht in Bewegung geraten kann.
- ◆ Verwenden Sie das Gerät nicht, wenn die Kabel beschädigt oder abgenutzt sind.
- ◆ Tragen Sie stabile Schuhe oder Stiefel, um Ihre Füße zu schützen.
- ◆ Tragen Sie lange Hosen, um Ihre Beine zu schützen.

Inspektion und Reparaturen

- ◆ Trennen Sie das Gerät vom Netz, bevor überprüfen, reinigen oder Arbeiten an der Maschine, und wenn es in Gebrauch ist.
- ◆ Prüfen Sie das Gerät vor der Verwendung auf beschädigte oder defekte Teile. Prüfen Sie, ob Teile beschädigt sind oder andere Bedingungen vorliegen, die die Funktion beeinträchtigen können.
- ◆ Betreiben Sie das Gerät nicht, wenn ein Teil beschädigt oder defekt ist.
- ◆ Lassen Sie beschädigte oder defekte Teile in einer Vertragswerkstatt reparieren oder austauschen.
- ◆ Ersetzen oder entfernen Sie keine Teile, für die in dieser Anleitung keine entsprechende Beschreibung enthalten ist.

Verwenden eines Verlängerungskabels

Verwenden Sie ausschließlich geprüfte Verlängerungskabel, die für die Leistungsaufnahme dieses Geräts ausgelegt sind (siehe „Technische Daten“). Das Verlängerungskabel muss für die Verwendung im Außenbereich geeignet und entsprechend markiert sein. Es kann ein 1,5 mm²-HO5VVF-Verlängerungskabel mit einer Länge von bis zu 30 m verwendet werden, ohne dass die Leistung des Geräts beeinträchtigt wird. Prüfen Sie vor der Inbetriebnahme das Netzkabel auf Verschleiß und Beschädigungen. Wechseln Sie beschädigte oder fehlerhafte Verlängerungskabel aus. Beim Verwenden einer Kabeltrommel muss das Kabel stets vollständig abgewickelt sein.

Zusätzliche Sicherheitshinweise für Rasentrimmer

Achtung! Die Schneidevorrichtung rotiert nach Abschalten des Geräts einige Sekunden lang weiter.

- ◆ Machen Sie sich mit den Bedienelementen und dem ordnungsgemäßen Gebrauch des Geräts vertraut.
- ◆ Prüfen Sie vor der Inbetriebnahme Netz- und Verlängerungskabel auf Beschädigungen und Verschleiß. Trennen Sie das Gerät sofort vom Stromnetz, wenn ein Kabel während des Betriebs beschädigt wird. **BERÜHREN SIE DAS KABEL NICHT, SOLANGE DER STECKER NOCH IN DER NETZSTECKDOSE STECKT.**

- ◆ Vergewissern Sie sich vor Verwenden des Geräts, dass die zu beschneidende Fläche frei von Ästen, Steinen, Draht und anderen Objekten ist.
- ◆ Verwenden Sie das Gerät ausschließlich in aufrechter Stellung und mit Schneidfaden in Bodennähe. Schalten Sie das Gerät keinesfalls in einer anderen Stellung ein.
- ◆ Achten Sie bei Verwendung des Geräts auf langsame Bewegungen. Bedenken Sie, dass frisch gemähtes Gras feucht und rutschig sein kann.
- ◆ Arbeiten Sie nie an steilen Hängen. Schieben Sie das Gerät immer parallel zum Hang, nie den Hang hinauf oder hinunter.
- ◆ Schalten Sie das Gerät vor dem Überqueren von Kieswegen und Straßen aus.
- ◆ Berühren Sie niemals den Schneidfaden, während sich das Gerät in Betrieb befindet.
- ◆ Warten Sie stets, bis der Schneidfaden vollständig zum Stillstand gekommen ist, bevor Sie das Gerät absetzen.
- ◆ Verwenden Sie ausschließlich geeignete Schneidfäden. Verwenden Sie keinesfalls Schneidfäden aus Metall oder Angelschnur.
- ◆ Berühren Sie auf keinen Fall das Fadenschneidmesser.
- ◆ Achten Sie darauf, dass das Stromkabel nicht in die Nähe des Schneidfadens gerät. Achten Sie stets auf die Lage des Stromkabels.
- ◆ Halten Sie Hände und Füße stets vom Schneidfaden fern, insbesondere beim Einschalten des Geräts.
- ◆ Überprüfen Sie das Gerät vor Gebrauch und nach Stößen auf Beschädigungen und Verschleiß, und veranlassen Sie notwendige Reparaturmaßnahmen.
- ◆ Betreiben Sie keinesfalls das Gerät, wenn die Schutzvorrichtungen beschädigt oder nicht ordnungsgemäß angebracht sind.
- ◆ Schützen Sie sich vor Verletzungen beim Verwenden von Geräten zum Verkürzen des Schneidfadens. Bringen Sie nach Herausziehen des neuen Schneidfadens das Gerät vor dem Einschalten in die normale Betriebsposition.
- ◆ Stellen Sie stets sicher, dass die Lüftungsschlitze frei von Verschmutzungen sind.
- ◆ Verwenden Sie den Rasentrimmer (Kantentrimmer) nicht, wenn die Kabel beschädigt oder abgenutzt sind.

- ◆ Halten Sie Verlängerungskabel von der Schneidvorrichtung fern.

Warnsymbole am Gerät

Am Gerät sind die folgenden Warnsymbole angebracht:



Lesen Sie vor Inbetriebnahme die Bedienungsanleitung.



Tragen Sie eine Schutzbrille, wenn Sie mit dem Gerät arbeiten.



Tragen Sie einen geeigneten Gehörschutz, wenn Sie mit dem Gerät arbeiten.



Ziehen Sie stets den Stecker aus der Netzsteckdose, bevor Sie das Kabel auf Schäden überprüfen. Verwenden Sie den Rasentrimmer auf keinen Fall, wenn das Kabel beschädigt ist.



Achten Sie auf Gegenstände, die eventuell umhergeschleudert werden. Halten Sie andere Personen vom Arbeitsbereich fern.



Schützen Sie das Gerät vor Feuchtigkeit und Regen.



Garantierter Schalldruckpegel, gemessen nach Richtlinie 2000/14/EG.

Elektrische Sicherheit



Dieses Gerät ist schutzisoliert, daher ist keine Masseleitung erforderlich. Überprüfen Sie stets, ob die Netzspannung der auf dem Typenschild des Geräts angegebenen Spannung entspricht.

- ◆ Ist das Netzkabel beschädigt, muss es durch den Hersteller oder eine Black & Decker Vertragswerkstatt ausgetauscht werden, um eine mögliche Gefährdung zu vermeiden.
- ◆ Die Verwendung eines Fehlerstromschutzschalters (30 mA) erhöht die elektrische Sicherheit.

Merkmale

Dieses Gerät verfügt über einige oder alle der folgenden Merkmale:

1. Ein-/Ausschalter
2. Griff
3. Kabelhalterung
4. Netzanschluss
5. Zusatzgriff
6. Einstelltaste
7. Rohr

8. Ersatzspulenhalterung
9. HDL-Schneidfadenspule
10. Schutzvorrichtung
11. Fadenschneidemesser
12. Spulengehäuse
13. Schneidfaden
14. Kantenrad

Montage

Achtung! Vergewissern Sie sich vor der Montage, dass das Gerät ausgeschaltet ist und der Netzstecker gezogen wurde.

Anbringen der Schutzvorrichtung (Abb. A und B)

- ◆ Entfernen Sie die Schraube (15) von der Schutzvorrichtung (10).
- ◆ Bringen Sie die Schutzvorrichtung (10) wie dargestellt am Gerät an.
- ◆ Drücken Sie die Schutzvorrichtung in ihre Position, bis sie einrastet.
- ◆ Fixieren Sie die Schutzvorrichtung mit der Schraube.
- ◆ Ziehen Sie die Schraube fest.

Achtung! Verwenden Sie das Gerät ausschließlich mit ordnungsgemäß angebrachter Schutzvorrichtung.

Anbringen des Zusatzgriffs (Abb. C)

- ◆ Drücken und halten Sie die Einstelltaste (6) an der Seite des Gerätegehäuses.
- ◆ Schieben Sie den Zusatzgriff (5) über die Einstelltaste (6) in Position.

Achtung! Achten Sie darauf, dass die Zähne an der Taste entsprechend den Schlitzen am Griff ausgerichtet sind und dass der Griff sicher angebracht ist.

Einstellen der Position des Zusatzgriffs (Abb. D)

Der Zusatzgriff (5) lässt sich einstellen, um eine optimale Balance und ein Höchstmaß an Arbeitskomfort zu erzielen.

- ◆ Drücken Sie die Einstelltaste (6) an der linken Seite des Griffs.
- ◆ Drehen Sie den Zusatzgriff (5) in die gewünschte Position.
- ◆ Lassen Sie die Einstelltaste (6) los.

Achtung! Achten Sie darauf, dass die Zähne an der Taste entsprechend den Schlitzen am Griff ausgerichtet sind und dass der Griff sicher angebracht ist.

Einstellen der Höhe des Geräts (Abb. E und F)

Dieses Gerät lässt sich mithilfe eines Teleskopauszugs auf eine bequeme Höhe einstellen. Es sind

verschiedene Höheneinstellungen möglich. So stellen Sie die Höhe ein:

- ◆ Lösen Sie die Sicherungsklemme (16) der Höheneinstellung.
- ◆ Schieben Sie das Rohr (7) vorsichtig nach oben bzw. nach unten, bis die gewünschte Höhe erreicht ist.
- ◆ Schließen Sie die Sicherungsklemme (16) der Höheneinstellung.

Freigeben des Schneidfadens

Während des Transports ist der Schneidfaden mit Klebeband am Spulengehäuse befestigt.

- ◆ Entfernen Sie das Klebeband, mit dem der Schneidfaden am Spulengehäuse (12) befestigt ist.

Aufbewahrung der nicht verwendeten Spule (Abb. G)

Das Gerät verfügt über zwei Schneidsysteme:

- ◆ **AFS:** Automatische Einzelfadenzuführung für leichtes Trimmen und Kantentrimmen.
- ◆ **HDL:** Hochleistungs-doppelfaden-Schneidsystem für stärker zugewachsene Bereiche.

Hinweis: Die HDL-Spule darf ausschließlich im Trimmmodus verwendet werden.

Das jeweils nicht verwendete Schneidsystem kann in der Ersatzspulenhaltung aufbewahrt werden (nur GL8033 und GL9035).

- ◆ Richten Sie die Laschen (17) des Spulendeckels an den Aussparungen (18) der Ersatzspulenhaltung (8) aus.
- ◆ Drücken Sie den Deckel auf die Ersatzspulenhaltung, bis dieser sicher einrastet.

Anschließen des Geräts an die Stromversorgung (Abb. H)

- ◆ Verbinden Sie die Steckerbuchse eines geeigneten Verlängerungskabels mit dem Netzanschluss (4).
- ◆ Führen Sie das Kabel schlaufenförmig durch die Kabelhalterung (3).
- ◆ Stecken Sie den Netzstecker in die Steckdose.

Bei der Verwendung von Kabelaufrollvorrichtungen: Stellen Sie sicher, dass das Kabel in der Kabelhalterung befestigt ist, bevor Sie den Netzstecker in die Steckdose stecken.

Achtung! Das Verlängerungskabel muss für die Verwendung im Freien geeignet sein.

Gebrauch

Achtung! Beschleunigen Sie den Arbeitsvorgang nicht mit Gewalt. Vermeiden Sie eine Überlastung des Geräts.

Einstellen des Trimm- bzw. Kantenmodus (Abb. I und J)

Das Gerät verfügt über einen Trimm- (Abb. I) und einen Kantenmodus (Abb. J) zum Schneiden von überhängenden Gräsern an Rasenkanten und Blumenbeeten.

Trimmmodus (Abb. I)

Zum Trimmen muss sich der Kopf des Trimmers in der in Abb. I dargestellten Position befinden. Gehen Sie folgendermaßen vor, wenn dies nicht der Fall ist:

- ◆ Lösen Sie die Sicherungsklemme (16) der Höheneinstellung.
- ◆ Drehen Sie das Rohr (7) im Uhrzeigersinn.
- ◆ Schließen Sie die Sicherungsklemme (16) der Höheneinstellung, wenn sich der Kopf in der richtigen Position befindet.

Hinweis: Das Rohr lässt sich nur in eine Richtung drehen.

Hinweis: Die HDL-Spule darf im Trimmmodus verwendet werden.

Kantenmodus (Abb. J)

Zum Trimmen von Kanten muss sich der Kopf in der in Abb. J dargestellten Position befinden. Gehen Sie folgendermaßen vor, wenn dies nicht der Fall ist:

- ◆ Lösen Sie die Sicherungsklemme (16) der Höheneinstellung.
- ◆ Drehen Sie das Rohr (7) gegen den Uhrzeigersinn.
- ◆ Schließen Sie die Sicherungsklemme (16) der Höheneinstellung, wenn sich der Kopf in der richtigen Position befindet.

Hinweis: Das Rohr lässt sich nur in eine Richtung drehen.

Ein- und Ausschalten

- ◆ Drücken Sie zum Einschalten des Geräts den Ein-/Ausschalter (1).
- ◆ Zum Ausschalten des Geräts lassen Sie den Ein-/Ausschalter wieder los.

Achtung! Versuchen Sie niemals, den Ein-/Ausschalter in der Einschaltstellung zu arretieren.

Hinweise für optimale Arbeitsergebnisse

Allgemeine Hinweise

- ◆ Um optimale Schneideergebnisse zu erzielen, sollten Sie nur trockenen Rasen beschneiden.

Trimmen

- ◆ Halten Sie das Gerät wie in Abb. K dargestellt.
- ◆ Führen Sie den Trimmer mit langsamen Schwenkbewegungen hin und her.

- ◆ Schneiden Sie hohes Gras in Zwischenschritten bis zur gewünschten Länge. Schneiden Sie stets nur geringe Längen.
- ◆ Halten Sie das Gerät von harten Gegenständen und empfindlichen Pflanzen fern.
- ◆ Der Schneidfaden nutzt sich schneller ab und muss häufiger erneuert werden, wenn Schneidarbeiten entlang Gehwegen oder anderen rauen Untergründen ausgeführt werden oder dichtes Unkraut geschnitten wird.
- ◆ Verringern Sie die Belastung, wenn das Gerät sich verlangsamt.

Kanten

Optimale Ergebnisse werden bei Kanten erzielt, die tiefer als 50 mm sind.

- ◆ Dieses Gerät ist nicht zum Stechen von Kanten geeignet. Verwenden Sie zu diesem Zweck einen Kantenspaten.
- ◆ Führen Sie das Gerät auf dem Rad wie in Abb. L dargestellt.
- ◆ Neigen Sie das Gerät leicht, um einen kürzeren Beschnitt zu erzielen.

Einsetzen einer neuen Schneidfadenspule (Abb. M und N)

Neue Schneidfadenspulen erhalten Sie im Black & Decker Fachhandel (Katalognr. A6482). Schneidfadenspulen sind auch im Dreierpack erhältlich (Katalognr. A6486).

- ◆ Ziehen Sie den Netzstecker des Geräts.
- ◆ Nehmen Sie bei heruntergedrückten Laschen (17) den Spulendeckel (21) vom Gehäuse (12) ab (Abb. M).
- ◆ Entfernen Sie die leere Spule (22) aus dem Spulendeckel.
- ◆ Entfernen Sie Verschmutzungen und Gras von dem Spulendeckel und dem -gehäuse.
- ◆ Lösen Sie das Ende des Schneidfadens und führen Sie ihn durch die Öse (23) (Abb. M). Der Faden sollte etwa 11 cm aus dem Spulendeckel herausragen.

Hinweis: Achten Sie darauf, dass sich der Faden nicht von der Spule abwickelt. Halten Sie ihn stets mit einer Hand fest.

- ◆ Stecken Sie eine neue Spule auf die Nabe im Spulendeckel. Drehen Sie die Spule leicht, bis sich diese in der richtigen Position befindet.
- ◆ Richten Sie die Laschen (17) der Spule an den Aussparungen (24) des Gehäuses (12) aus.
- ◆ Drücken Sie den Deckel auf das Gehäuse, bis dieser sicher einrastet.

Achtung! Wenn die Schneidfäden über das Faden-schneidmesser (11) hinausreichen, schneiden Sie

sie entsprechend zu, sodass der Faden lediglich an das Messer heranreicht.

Einsetzen einer neuen HDL-Schneidfadenspule (Abb. O und P)

Neue HDL-Schneidfadenspulen im Zehnerpack erhalten Sie im Black & Decker Fachhandel (Katalognr. A6489). Zum Einsetzen einer neuen HDL-Schneidfadenspule gehen Sie wie folgt vor:

- ◆ Ziehen Sie den Netzstecker des Geräts.
- ◆ Nehmen Sie bei heruntergedrückten Laschen (17) den Deckel der HDL-Spule (9) vom Gehäuse (12) ab.
- ◆ Entfernen Sie Verschmutzungen und Gras von dem Deckel und dem Gehäuse der HDL-Spule (9).
- ◆ Entfernen Sie den verbrauchten Fadenabschnitt aus dem Deckel der HDL-Spule (9).
- ◆ Führen Sie einen neuen Fadenabschnitt (20) durch die Ösen (27) auf beiden Seiten des Deckels der HDL-Spule.
- ◆ Setzen Sie die zentrale Klemmhülse (28) in der dargestellten Position ein (Abb. P).
- ◆ Setzen Sie den Deckel der HDL-Spule wieder auf.

Achtung! Verwenden Sie ausschließlich geeignete Black & Decker Schneidfäden.

Austauschen des Netzsteckers (nur Großbritannien und Irland)

Gehen Sie folgendermaßen vor, wenn ein neuer Netzstecker angebracht werden muss:

- ◆ Entsorgen Sie den alten Stecker auf sachgerechte Weise.
- ◆ Verbinden Sie die braune Leitung mit dem spannungsführenden Anschluss des Steckers.
- ◆ Verbinden Sie die blaue Leitung mit dem neutralen Anschluss.

Achtung! Der Erdleiter wird nicht angeschlossen. Befolgen Sie die Anleitungen, die dem Stecker beiliegen. Empfohlene Sicherung: 5 A.

Problembeseitigung

Beachten Sie folgende Hinweise, wenn das Gerät nicht richtig zu funktionieren scheint. Sollte sich das Problem nicht beheben lassen, wenden Sie sich an eine Black & Decker Vertragswerkstatt in Ihrer Nähe.

Achtung! Ziehen Sie den Netzstecker, bevor Sie fortfahren.

Das Gerät läuft langsam

- ◆ Vergewissern Sie sich, dass sich das Spulengehäuse frei drehen kann. Reinigen Sie dieses ggf. sorgfältig.

- ◆ Stellen Sie sicher, dass der Schneidfaden nicht weiter als 11 cm aus dem Spulengehäuse herausragt. Schneiden Sie ggf. den Schneidfaden so zu, dass dieser lediglich bis an das Fadenschneidmesser reicht.

Die automatische Zuführung funktioniert nicht.

- ◆ Nehmen Sie bei heruntergedrückten Laschen den Spulendeckel vom Gehäuse ab.
- ◆ Ziehen Sie den Schneidfaden heraus, bis dieser 11 cm aus dem Gehäuse herausragt. Bringen Sie eine neue Spule mit Schneidfaden wie oben angegeben an, wenn der Schneidfaden auf der Spule nicht mehr ausreicht.
- ◆ Richten Sie die Laschen der Spule an den Löchern des Gehäuses aus.
- ◆ Drücken Sie den Deckel auf das Gehäuse, bis dieser sicher einrastet.
- ◆ Schneiden Sie den Schneidfaden ggf. so zu, dass dieser lediglich bis an das Fadenschneidmesser heranreicht.

Versuchen Sie folgende Vorgehensweisen, wenn die automatische Zuführung weiterhin nicht funktioniert oder die Spule klemmt:

- ◆ Reinigen Sie sorgfältig Spulendeckel und Gehäuse.
- ◆ Entfernen Sie die Spule, und überprüfen Sie, ob sich der Hebel frei bewegen lässt.
- ◆ Entnehmen Sie die Spule, und wickeln Sie den Schneidfaden ab und anschließend sorgfältig, wie oben beschrieben, wieder auf. Ersetzen Sie die Spule gemäß dieser Anleitung.

Umweltschutz



Getrennte Entsorgung. Dieses Produkt darf keinesfalls mit dem Hausmüll entsorgt werden.

Sollten Sie Ihr Black & Decker Produkt eines Tages ersetzen oder nicht mehr benötigen, entsorgen Sie es nicht mit dem Hausmüll. Führen Sie das Produkt einer getrennten Sammlung zu.



Durch die getrennte Sammlung von ausgedienten Produkten und Verpackungsmaterialien können Rohstoffe recycelt und wiederverwendet werden. Die Wiederverwendung aufbereiteter Materialien trägt zur Vermeidung der Umweltverschmutzung bei und senkt den Rohstoffbedarf.

Die Verordnung zur Abfallentsorgung Ihrer Gemeinde sieht möglicherweise vor, dass Elektrogeräte getrennt vom Hausmüll gesammelt, an der örtlichen Abfallentsorgungseinrichtung abgegeben oder beim

Kauf eines neuen Produkts vom Fachhandel zur Entsorgung angenommen werden müssen.

Black & Decker nimmt Ihre ausgedienten Black & Decker Geräte gern zurück und sorgt für eine umweltfreundliche Entsorgung bzw. Wiederverwertung. Um diese Dienstleistung in Anspruch zu nehmen, geben Sie das Gerät bitte bei einer autorisierten Reparaturwerkstatt ab, die für uns die Einsammlung übernimmt.

Die Adresse der zuständigen Niederlassung von Black & Decker steht in dieser Anleitung. Dort teilt man Ihnen gerne die nächstgelegene Vertragswerkstatt mit. Eine Liste der Vertragswerkstätten und aller Kundendienststellen von Black & Decker sowie der zuständigen Ansprechpartner finden Sie auch im Internet unter: www.2helpU.com.

Technische Daten

		GL7033 (Typ 1)	GL8033 (Typ 1)	GL9035 (Typ 1)
Spannung	V _{AC}	230	230	230
Leistungsaufnahme	W	700	800	900
Leerlaufdrehzahl	min ⁻¹	7000	7000	7000
Gewicht	kg	3,2	3,2	3,2

Schalldruckpegel:

Schalldruck (L_{pA}) 80 dB(A), Unsicherheitsfaktor (K) 2 dB(A),
Schalleistung (L_{WA}) 94 dB(A), Unsicherheitsfaktor (K) 2 dB(A)

Gesamtvibration (Triax-Vektorsumme) gemäß EN 786:

Vibrationsemissionswert (a_v) 8,2 m/s²,
Unsicherheitsfaktor (K) 1,5 m/s²

EG-Konformitätserklärung

MASCHINENRICHTLINIE
AUSSENLAUTSTÄRKERICHTLINIE



GL7033/GL8033/GL9035

Black & Decker erklärt, dass die unter „Technische Daten“ beschriebenen Geräte übereinstimmen mit: 2006/42/EG, EN 60335-1, EN 60335-2-91 2000/14/EG, Rasentrimmer, L ≤ 50 cm, Anhang VIII KEMA Quality B.V., Utrechtseweg 310, 6802 ED Arnhem, Niederlande
Gemeldet unter ID Nr.: 0344

Schalleistungspegel gemäß 2000/14/EG (Artikel 12, Anhang III, L ≤ 50 cm):

L_{WA} (gemessene Schalleistung) 94 dB(A)
Unsicherheitsfaktor (K) = 2 dB(A)

L_{WA} (garantierte Schalleistung) 96 dB(A)
Unsicherheitsfaktor (K) = 2 dB(A)

Diese Produkte entsprechen außerdem den Richtlinien 2004/108/EG und 2011/65/EU.

Weitere Informationen erhalten Sie von Black & Decker unter der folgenden Adresse. Diese befindet sich auch auf der Rückseite dieser Anleitung. Der Unterzeichnete ist verantwortlich für die Zusammenstellung der technischen Daten und gibt diese Erklärung im Namen von Black & Decker ab.



Kevin Hewitt
Vice-President
Global Engineering
Black & Decker Europe,
210 Bath Road, Slough,
Berkshire, SL1 3YD
Vereinigtes Königreich
04-10-2012

der zuständigen Ansprechpartner finden Sie auch im Internet unter: www.2helpU.com.

Bitte besuchen Sie unsere Website www.blackanddecker.de, um Ihr neues Black & Decker Produkt zu registrieren. Dort erhalten Sie auch Informationen über neue Produkte und Sonderangebote. Weitere Informationen über die Marke Black & Decker und unsere Produkte finden Sie unter www.blackanddecker.de.

Garantie

Black & Decker vertraut auf die Qualität der eigenen Geräte und bietet dem Käufer eine außergewöhnliche Garantie. Diese Garantiezusage versteht sich unbeschadet der gesetzlichen Gewährleistungsansprüche und schränkt diese keinesfalls ein. Sie gilt in sämtlichen Mitgliedstaaten der Europäischen Union und der Europäischen Freihandelszone EFTA.

Tritt innerhalb von 24 Monaten ab Kaufdatum an einem Gerät von Black & Decker ein auf Material- oder Verarbeitungsfehler zurückzuführender Mangel auf, garantiert Black & Decker den Austausch defekter Teile, die Reparatur von Geräten mit üblichem Verschleiß bzw. den Austausch eines mangelhaften Gerätes, ohne den Kunden dabei mehr als unbedingt nötig in Anspruch zu nehmen, allerdings vorbehaltlich folgender Ausnahmen:

- ◆ wenn das Gerät gewerblich, beruflich oder im Verleihgeschäft benutzt wurde;
- ◆ wenn das Gerät missbräuchlich verwendet oder mit mangelnder Sorgfalt behandelt wurde;
- ◆ wenn das Gerät durch irgendwelche Fremdeinwirkung beschädigt wurde;
- ◆ wenn ein unbefugter Reparaturversuch durch anderes Personal als das einer Vertragswerkstatt oder des Black & Decker Kundendienstes unternommen wurde.

Zur Inanspruchnahme dieser Garantie ist dem Verkäufer bzw. der Vertragswerkstatt ein Kaufnachweis vorzulegen. Die Adresse der zuständigen Niederlassung von Black & Decker steht in dieser Anleitung. Dort teilt man Ihnen gerne die nächstgelegene Vertragswerkstatt mit. Eine Liste der Vertragswerkstätten und aller Kundendienststellen von Black & Decker sowie

Utilisation

Votre taille-bordures Black & Decker est conçu pour la coupe et la finition des bordures de pelouse ainsi que pour couper l'herbe dans les espaces restreints. Cet outil est destiné à une utilisation exclusivement domestique.

Consignes de sécurité

Attention ! De simples précautions sont à prendre pour l'utilisation d'appareil branché à l'alimentation principale. Les conseils suivants doivent toujours être appliqués, ceci afin de réduire le risque d'incendie, les chocs électriques, les blessures et les dommages matériels.

Attention ! Les consignes de sécurité doivent être respectées pendant l'utilisation. Pour votre propre sécurité et pour celle des personnes autour, lisez ces instructions avant d'utiliser l'outil. Veuillez conserver les instructions pour un usage ultérieur.

- ◆ Lisez attentivement et entièrement le manuel avant d'utiliser l'appareil.
- ◆ Ce manuel décrit la manière d'utiliser cet outil. L'utilisation d'un accessoire ou d'une fixation, ou bien l'utilisation de cet appareil à d'autres fins que celles recommandées dans ce manuel d'instruction peut présenter un risque de blessures.
- ◆ Gardez ce manuel pour référence ultérieure.

Utilisation de votre appareil

Prenez toutes les précautions nécessaires pour l'utiliser.

- ◆ Portez toujours des lunettes de sécurité ou de protection.
- ◆ Ne laissez jamais les enfants ou toute autre personne ne connaissant pas ces instructions, utiliser l'appareil.
- ◆ Ne laissez pas les enfants ou les animaux s'approcher de la zone de travail ou toucher l'appareil ou le fil électrique.
- ◆ Les enfants doivent être surveillés avec attention s'ils se trouvent près de l'appareil pendant l'utilisation.
- ◆ Cet appareil n'est pas destiné à être utilisé par des personnes jeunes ou déficientes sans surveillance.
- ◆ Cet appareil ne doit pas être utilisé comme jouet.
- ◆ Utilisez cet appareil uniquement dans la journée ou avec un éclairage artificiel approprié.
- ◆ Il doit toujours être utilisé dans des endroits secs et en aucun cas être mouillé.
- ◆ Ne plongez pas l'appareil dans l'eau.
- ◆ N'ouvrez pas le boîtier. Les pièces à l'intérieur ne sont pas réparables par l'utilisateur.

- ◆ N'utilisez pas l'appareil dans un environnement présentant des risques d'explosion, ni en présence de liquides, gaz ou poussières inflammables.
- ◆ Pour limiter le risque d'endommagement des prises ou des fils électriques, ne débranchez jamais l'appareil en tirant sur le câble.

Sécurité des personnes

- ◆ Cet appareil ne doit pas être utilisé par des personnes (y compris les enfants) ayant des déficiences physiques, mentales ou sensorielles. Cette consigne s'applique aussi aux personnes manquant d'expérience et de connaissance du matériel, à moins que celles-ci n'aient reçu les instructions appropriées ou qu'elles ne soient encadrées par une personne responsable de leur sécurité pour utiliser l'appareil.
- ◆ Pour éviter que les enfants ne jouent avec cet appareil, ne les laissez jamais sans surveillance.
- ◆ Cessez d'utiliser la machine lorsque des personnes, en particulier des enfants, ou des animaux se trouvent à proximité.

Risques résiduels.

L'utilisation d'un outil non mentionné dans les consignes de sécurité données peut entraîner des risques résiduels supplémentaires. Ces risques peuvent survenir si la machine est mal utilisée, si l'utilisation est prolongée, etc.

Malgré l'application des normes de sécurité correspondantes et la présence de dispositifs de sécurité, les risques résiduels suivants ne peuvent être évités. Ceci comprend :

- ◆ Les blessures dues au contact avec une pièce mobile/en rotation.
- ◆ Les blessures causées en changeant des pièces, lames ou accessoires.
- ◆ Les blessures dues à l'utilisation prolongée d'un outil.
Une utilisation prolongée de l'outil nécessite des pauses régulières.
- ◆ Déficience auditive.
- ◆ Risques pour la santé causés par l'inhalation de poussières produites pendant l'utilisation de l'outil (exemple : travail avec du bois, surtout le chêne, le hêtre et les panneaux en MDF).

Après l'utilisation

- ◆ Quand il n'est pas utilisé, l'appareil doit être rangé dans un endroit suffisamment aéré, sec et hors de portée des enfants.
- ◆ Les enfants ne doivent pas avoir accès aux appareils rangés.

- ◆ Quand l'appareil est rangé ou transporté dans un véhicule, il doit être installé dans le coffre ou correctement calé pour éviter les mouvements dus aux changements de direction ou de vitesse.

Vérification et réparations

- ◆ Débrancher la machine du secteur avant de contrôler, nettoyer ou travailler sur la machine et quand il est en cours d'utilisation.
- ◆ Avant l'utilisation, vérifiez si l'appareil est en bon état ou si aucune pièce ne manque. Recherchez des pièces cassées et d'autres anomalies susceptibles de nuire au bon fonctionnement de l'appareil.
- ◆ N'utilisez pas l'appareil si une pièce est endommagée ou défectueuse.
- ◆ Faites réparer ou remplacer les pièces défectueuses ou endommagées par un réparateur agréé.
- ◆ Ne tentez jamais de retirer ou de remplacer des pièces autres que celles citées dans ce manuel.

Utilisation d'une rallonge

La rallonge utilisée doit être conforme aux normes et doit s'adapter exactement à la prise de cet appareil (voir les caractéristiques techniques). La rallonge doit être adaptée à une utilisation à l'extérieur et signalée comme tel. Une rallonge Black & Decker HO5VV-F de 1,5 mm² allant jusqu'à 30 m peut être utilisée sans que les performances de l'appareil ne soient limitées. Avant d'utiliser la rallonge, assurez-vous qu'elle est en bon état et récente. Remplacez la rallonge si elle est en mauvais état. Si vous utilisez un dévidoir, le câble doit être complètement déroulé.

Consignes de sécurité supplémentaires pour le taille-bordures

Attention ! Les éléments de coupe continuent de tourner juste après la mise hors tension du moteur.

- ◆ Familiarisez-vous avec les commandes et la manière appropriée d'utiliser l'appareil.
- ◆ Avant l'utilisation, vérifiez l'état du fil électrique et de la rallonge (dommages, usures et vieillissement). Si un câble est endommagé pendant l'utilisation, débranchez immédiatement l'appareil. **NE TOUCHEZ SURTOUT PAS LE CÂBLE AVANT DE L'AVOIR DÉBRANCHÉ.**
- ◆ N'utilisez pas l'appareil si les câbles sont endommagés ou défectueux.
- ◆ Portez des chaussures épaisses pour protéger vos pieds.
- ◆ Portez un pantalon pour protéger vos jambes.
- ◆ Avant de commencer, retirez les bâtons, cailloux, câbles et autres corps étrangers de la zone à couper.

- ◆ N'utilisez l'appareil que verticalement avec le fil de coupe au niveau du sol. Ne démarrez jamais l'appareil dans une autre position.
- ◆ Déplacez-vous lentement pendant l'utilisation de l'appareil. N'oubliez pas que l'herbe fraîchement coupée est glissante.
- ◆ Ne travaillez pas sur des pentes trop raides. Ne travaillez jamais de haut en bas.
- ◆ Ne traversez jamais des passages recouvert de gravier quand l'appareil fonctionne.
- ◆ Ne touchez jamais le fil de coupe quand l'appareil fonctionne.
- ◆ Ne posez pas l'appareil avant l'arrêt complet du fil de coupe.
- ◆ N'utilisez que le type de fil de coupe approprié. N'utilisez jamais un fil de coupe en métal ou un fil de pêche.
- ◆ Prenez les précautions nécessaires pour ne pas toucher la lame.
- ◆ Prenez les précautions nécessaires pour que le câble secteur soit éloigné du fil de coupe. Vérifiez toujours la position du câble.
- ◆ Gardez toujours les pieds et les mains éloignés du fil de coupe particulièrement au démarrage du moteur.
- ◆ Avant d'utiliser l'appareil et après un choc, recherchez des signes d'usure ou de dommages et réparez, le cas échéant.
- ◆ Ne faites jamais fonctionner l'appareil avec des protections endommagées ou sans protection.
- ◆ Prenez les précautions nécessaires pour éviter de vous blesser avec les dispositifs de réglage du fil. Une fois le nouveau fil de coupe tiré, avant de remettre l'appareil en marche, remplacez-le en position normale de fonctionnement.
- ◆ Aucun débris ne doit se trouver sur les aérations.
- ◆ N'utilisez pas le taille-bordures si les câbles sont endommagés ou défectueux.
- ◆ Éloignez les rallonges des zones de coupe.

Étiquettes sur l'appareil

Les symboles d'avertissement suivants se trouvent sur l'outil :



Lisez le manuel avant la mise en marche.



Portez toujours des lunettes de sécurité pour utiliser cet appareil.



Portez toujours des protections auditives appropriées pour utiliser cet appareil.



Débranchez toujours la prise du courant avant de vérifier un câble endommagé. N'utilisez pas votre taille-bordures si le câble est endommagé.



Attention aux projections. Éloignez toute personne des zones de découpe.



N'exposez pas l'appareil à la pluie ni à l'humidité.



Normes 2000/14/CE, puissance sonore garantie.

Sécurité électrique



Cet appareil est doublement isolé. Par conséquent, aucun câble de mise à la terre n'est nécessaire. Vérifiez si l'alimentation mentionnée sur la plaque signalétique de l'outil correspond bien à la tension présente sur le lieu.

- ◆ Si le câble d'alimentation est endommagé, il doit être remplacé par le fabricant ou par un Centre de réparation agréé Black & Decker pour éviter tout risque.
- ◆ Utilisez un dispositif de courant résiduel à grande sensibilité, 30 mA (RCD) pour améliorer la sécurité électrique.

Caractéristiques

Cet appareil présente la totalité ou une partie des caractéristiques suivantes :

1. Bouton marche/arrêt (On/Off)
2. Manche
3. Fixation du câble
4. Prise
5. Poignée secondaire
6. Bouton de réglage
7. Tube
8. Dispositif de rangement de bobine de rechange
9. Bobine HDL
10. Protection
11. Lame de taille
12. Boîtier de bobine
13. Fil de coupe
14. Guide de bordure

Assemblage

Attention ! Avant l'assemblage, assurez-vous que l'outil est éteint et débranché.

Fixation de la protection (figures A et B)

- ◆ Retirez la vis (15) de la protection (10).

- ◆ Placez la protection (10) sur l'outil comme indiqué.
- ◆ Appuyez fermement sur la protection jusqu'à l'enclenchement.
- ◆ Fixez la protection avec la vis.
- ◆ Serrez la vis.

Attention ! N'utilisez jamais l'outil si la protection n'est pas correctement installée.

Fixation de la deuxième poignée (figure C)

- ◆ Appuyez de manière prolongée sur le bouton de réglage (6) qui se trouve sur le côté du corps de l'appareil.
- ◆ Glissez la deuxième poignée (5) sur le bouton de réglage (6).

Attention ! Assurez-vous que les dents sur le bouton sont correctement alignées dans les rainures de la poignée et que la poignée est bien fixée.

Réglage de la position de la deuxième poignée (figure D)

La deuxième poignée (5) peut être réglée pour offrir un maximum de confort et d'équilibre.

- ◆ Appuyez sur le bouton de réglage (6) qui se trouve sur le côté gauche de la poignée.
- ◆ Tournez la deuxième poignée (5) dans la position requise.
- ◆ Relâchez le bouton de réglage (6).

Attention ! Assurez-vous que les dents sur le bouton sont correctement alignées dans les rainures de la poignée et que la poignée est bien fixée.

Réglage de la hauteur de l'outil (figures E et F)

Cet outil est doté d'un mécanisme télescopique qui permet de régler l'outil à une hauteur confortable. Il y a plusieurs hauteurs de réglage.

Pour régler la hauteur, effectuez ce qui suit :

- ◆ Relâchez la pince de verrouillage de réglage de hauteur (16)..
- ◆ Tirez le tube (7) vers le haut ou vers le bas et sans forcer pour atteindre la hauteur désirée.
- ◆ Fermez la pince de verrouillage de réglage de hauteur (16).

Dégagement du fil de coupe

Pendant le transport, le fil de coupe est scotché sur le boîtier de la bobine.

- ◆ Retirez le scotch fixant le fil de coupe sur le boîtier de la bobine (12).

Rangement de la bobine non utilisée (figure G)

L'outil a deux systèmes de coupe :

- ◆ **AFS** : Auto-alimentation d'un seul fil pour les petits travaux de taille.
- ◆ **HDL** : Système avec deux fils pour travaux difficiles dans les zones envahies de végétation.

Remarque : La bobine HDL ne peut être utilisée que pour tailler.

Le système de coupe non utilisé peut être placé dans le dispositif de rangement pour bobine de rechange (GL8033 et GL9035 uniquement).

- ◆ Alignez les pattes (17) sur le cache-bobine avec les trous (18) dans le dispositif de rangement de bobine de rechange (8).
- ◆ Enclenchez le cache sur le dispositif de rangement de la bobine de rechange.

Branchement de l'outil au secteur (figure H)

- ◆ Branchez la rallonge à la prise (4).
- ◆ Entourez le câble dans le dispositif de fixation (3).
- ◆ Branchez la prise secteur.

Pour le branchement, vérifiez que le câble est entouré sur la fixation avant de brancher la prise au secteur.

Attention ! La rallonge doit être compatible avec une utilisation à l'extérieur.

Utilisation

Attention ! Laissez l'outil fonctionner à sa propre vitesse. Ne le poussez pas au-delà de sa limite.

Réglage en mode taille ou en mode bordure (figures I et J)

L'outil peut être utilisé en mode taille, comme indiqué figure I ou en mode bordure pour égaliser l'herbe qui dépasse le long des pelouses et des parterres de fleurs, comme indiqué figure J.

Mode taille (figure I)

Pour tailler, le bloc doit être dans la position indiquée figure I. Si ce n'est pas le cas :

- ◆ Relâchez la pince de verrouillage de réglage de hauteur (16).
- ◆ Tournez le tube (7) dans le sens des aiguilles d'une montre.
- ◆ Quand le bloc est en place, fermez la pince de verrouillage de réglage de hauteur (16).

Remarque : Le tube ne tourne que dans une direction.

Remarque : La bobine HDL peut être utilisée en mode de taille.

Mode bordure (figure J)

Pour tailler les bordures, le bloc doit être dans la position indiquée figure J. Si ce n'est pas le cas :

- ◆ Relâchez la pince de verrouillage de réglage de hauteur (16).
- ◆ Tournez le tube (7) dans le sens inverse des aiguilles d'une montre.
- ◆ Quand le bloc est en place, fermez la pince de verrouillage de réglage de hauteur (16).

Remarque : Le tube ne tourne que dans une direction.

Mise en marche et arrêt

- ◆ Pour mettre l'outil en marche, appuyez sur le bouton marche/arrêt (1).
- ◆ Pour arrêter l'outil, relâchez le déclencheur.

Attention ! N'essayez jamais de bloquer le déclencheur en position marche.

Conseils pour une utilisation optimale

Généralités

- ◆ Pour obtenir les meilleurs résultats, l'herbe doit être sèche.

Taille

- ◆ Tenez l'outil comme indiqué, figure K.
- ◆ Balancez légèrement le taille-bordures d'un côté à l'autre.
- ◆ Pour l'herbe haute, coupez progressivement. Faites des petites coupes.
- ◆ Éloignez l'outil des plantes délicates et des objets durs.
- ◆ Le fil de coupe s'use rapidement et doit être changé plus souvent si la coupe est le long des trottoirs ou autres surfaces abrasives ainsi que pour la coupe de racines épaisses.
- ◆ Si l'outil commence à ralentir, réduisez la charge.

Taille de bordures

Pour obtenir les meilleurs résultats, les bordures doivent avoir une profondeur supérieure à 50 mm.

- ◆ N'utilisez pas cet outil pour créer des bordures. Pour les bordures, utilisez une bêche.
- ◆ Guidez l'outil, comme indiqué figure L.
- ◆ Pour effectuer une coupe précise, inclinez légèrement l'outil.

Installation d'une nouvelle bobine de fil de coupe (figures M et N)

Vous trouverez des bobines de fil de coupe chez votre revendeur Black & Decker (cat. n° A6482). Des packs de trois bobines de fil de coupe sont aussi disponibles (cat. n° A6486).

- ◆ Débranchez l'outil.
- ◆ Appuyez sur les pattes (17) et retirez le cache-bobine (21) du boîtier (12) (figure M).

- ◆ Retirez la bobine vide (22) du cache-bobine.
- ◆ Éliminez la poussière et l'herbe du cache-bobine et du boîtier.
- ◆ Détachez l'extrémité du fil de coupe et guidez le fil dans l'oeillet (23) (figure M). Une longueur d'environ 11 cm de fil doit sortir du cache-bobine.

Remarque : Prenez les précautions nécessaires pour que le fil ne s'emmêle pas sur la bobine. Tenez-le en permanence fermement dans une main.

- ◆ Prenez une nouvelle bobine et poussez-la sur l'axe dans le cache-bobine. Tournez la bobine sans forcer jusqu'à ce qu'elle soit installée.
- ◆ Alignez les pattes (17) sur le cache-bobine avec les trous (24) sur le boîtier (12).
- ◆ Enclenchez le cache sur le boîtier.

Attention ! Si les fils de coupe dépassent de la lame (11), coupez-les pour qu'il soient au niveau de la lame.

Installation d'un nouveau morceau de fil de coupe pour travaux difficiles (figures O et P)

Les packs de rechange avec 10 fils de coupe pour travaux difficiles sont disponibles chez votre revendeur Black & Decker (cat. n° A6489). Pour placer un nouveau morceau de fil de coupe, effectuez ce qui suit :

- ◆ Débranchez l'outil.
- ◆ Appuyez sur les pattes (17) et retirez le cache HDL (9) du boîtier (12).
- ◆ Éliminez la poussière et l'herbe du cache HDL (9) et du boîtier.
- ◆ Retirez le morceau du fil usé sur le cache HDL (9).
- ◆ Passez un nouveau morceau de fil (20) dans les oeillets (27) sur un des côtés du cache HDL.
- ◆ Mettez la virole (28) dans la position indiquée (figure P).
- ◆ Ré-installez le cache HDL.

Attention ! Seul le type de fil de coupe Black & Decker approprié doit être utilisé.

Remplacement des prises secteur (RU et Irlande uniquement)

Si une nouvelle prise secteur doit être installée :

- ◆ Mettez au rebut la vieille prise.
- ◆ Branchez le fil brun dans la borne de la nouvelle prise.
- ◆ Branchez le fil bleu à la borne neutre.

Attention ! Aucune connexion ne doit être faite à la borne de terre. Suivez les instructions de montage fournies avec les prises de bonne qualité. Fusibles recommandés : 5 A.

Dépannage

Si l'outil ne fonctionne pas, suivez les instructions ci-dessous. Si le problème n'est pas résolu, veuillez contacter votre réparateur local Black & Decker.

Attention ! Débranchez l'outil avant de commencer.

Fonctionnement lent

- ◆ Vérifiez le mouvement de rotation du boîtier de bobine. Nettoyez-le, le cas échéant.
- ◆ Assurez-vous que le fil de coupe ne dépasse pas de plus de 11 cm du boîtier de la bobine. Si c'est le cas, coupez-le pour qu'il soit au niveau de la lame.

Problème de déroulement automatique du fil

- ◆ Appuyez sur les pattes et retirez le cache-bobine du boîtier.
- ◆ Tirez sur le fil de coupe jusqu'à ce qu'il dépasse de 11 cm du boîtier. S'il n'y a pas assez de fil dans la bobine, installez une nouvelle bobine, en suivant le processus ci-dessus.
- ◆ Alignez les pattes sur le cache-bobine avec les trous sur le boîtier.
- ◆ Enclenchez le cache sur le boîtier.
- ◆ Si le fil de coupe dépasse de la lame, coupez-le pour qu'il soit au niveau de la lame.

Si le déroulement automatique du fil ne fonctionne pas ou si la bobine est emmêlée, effectuez ce qui suit :

- ◆ Nettoyez avec précaution le cache-bobine et le boîtier.
- ◆ Retirez la bobine et vérifiez le mouvement du levier.
- ◆ Retirez la bobine et déroulez le fil de coupe, puis rembobinez-le correctement, comme décrit ci-dessus. Remplacez la bobine, comme indiqué.

Protection de l'environnement



Recyclage. Cet outil ne doit pas être jeté avec les déchets ménagers.

Si votre appareil/outil Black & Decker doit être remplacé ou si vous ne l'utilisez plus, ne le jetez pas avec les ordures ménagères. Songez à la protection de l'environnement et recyclez-le.



La collecte séparée des produits et des emballages usagés permet de recycler et de réutiliser des matériaux. La réutilisation de matériaux recyclés évite la pollution de l'environnement et réduit la demande de matières premières.

Des réglementations locales peuvent stipuler la collecte séparée des produits électriques et des

FRANÇAIS

produits ménagers, dans des déchetteries municipales ou par le revendeur lorsque vous achetez un nouveau produit.

Black & Decker offre une solution permettant de recycler les produits Black & Decker lorsqu'ils ont atteint la fin de leur cycle de vie. Pour pouvoir profiter de ce service, veuillez retourner votre produit à un réparateur agréé qui se chargera de le collecter pour nous.

Pour connaître l'adresse du réparateur agréé le plus proche de chez vous, contactez le bureau Black & Decker à l'adresse indiquée dans ce manuel. Vous pourrez aussi trouver une liste de réparateurs agréés Black & Decker et de plus amples détails sur notre service après-vente sur le site Internet à l'adresse suivante : www.2helpU.com.

Caractéristiques techniques

		GL7033 (Type 1)	GL8033 (Type 1)	GL9035 (Type 1)
Tension	V _{AC}	230	230	230
Puissance	W	700	800	900
Vitesse à vide	min ⁻¹	7000	7000	7000
Poids	kg	3,2	3,2	3,2

Niveau de pression sonore :

Pression sonore (L_{pA}) 80 dB(A), incertitude (K) 2 dB(A),

Puissance sonore (L_{WA}) 94 dB(A), incertitude (K) 2 dB(A)

Valeurs totales des vibrations (somme vectorielle triaxiale) selon la norme EN 786 :

Valeur d'émission de vibration (a_v) 8,2 m/s²,

incertitude (K) 1,5 m/s²

Déclaration de conformité CE

CONSIGNES DE MACHINERIE
CONSIGNES NUISANCES SONORES
EXTÉRIEURES



GL7033/GL8033/GL9035

Black & Decker confirme que les produits décrits dans les « Données techniques » sont conformes aux normes : 2006/42/CE, EN 60335-1, EN 60335-2-91

2000/14/CE, Taille-bordures, L ≤ 50 cm, Annexe VIII
KEMA Quality B.V., Utrechtseweg 310, 6802 ED
Arnhem, The Netherlands
N° ID corps : 0344

Niveau de puissance sonore selon la norme 2000/14/CE

(Article 12, Annexe III, L ≤ 50 cm) :

L_{WA} (puissance sonore mesurée) 94 dB(A)

Incertitude (K) = 2 dB(A)

L_{WA} (puissance sonore garantie) 96 dB(A)

Incertitude (K) = 2 dB(A)

Ces produits sont conformes aux normes 2004/108/CE et 2011/65/UE.

Pour plus de détails, veuillez contacter Black & Decker à l'adresse suivante ou reportez-vous au dos du manuel. Le soussigné est responsable des données de la fiche technique et fait cette déclaration au nom de Black & Decker.

Kevin Hewitt
Vice-Président - ingénierie
internationale
Black & Decker Europe,
210 Bath Road, Slough,
Berkshire, SL1 3YD
Royaume-Uni
04-10-2012

Garantie

Black & Decker vous offre une garantie très élargie ainsi que des produits de qualité. Ce certificat de garantie est un document supplémentaire et ne peut en aucun cas se substituer à vos droits légaux. La garantie est valable sur tout le territoire des États Membres de l'Union Européenne et de la Zone de Libre Échange Européenne.

Si un produit Black & Decker s'avère défectueux en raison de matériaux en mauvaises conditions, d'une erreur humaine, ou d'un manque de conformité dans les 24 mois suivant la date d'achat, Black & Decker garantit le remplacement des pièces défectueuses, la réparation des produits usés ou cassés ou remplace ces produits à la convenance du client, sauf dans les circonstances suivantes :

- ◆ Le produit a été utilisé dans un but commercial, professionnel, ou a été loué;
- ◆ Le produit a été mal utilisé ou utilisé avec négligence;
- ◆ Le produit a subi des dommages à cause d'objets étrangers, de substances ou à cause d'accidents;
- ◆ Des réparations ont été tentées par des techniciens ne faisant pas partie du service technique de Black & Decker.

Pour avoir recours à la garantie, il est nécessaire de fournir une preuve d'achat au vendeur ou à un réparateur agréé. Pour connaître l'adresse du réparateur agréé le plus proche de chez vous, contactez le bureau Black & Decker à l'adresse indiquée dans ce manuel. Vous pourrez aussi trouver une liste de réparateurs agréés Black & Decker et de plus amples détails sur notre service après-vente sur le site Internet à l'adresse suivante : **www.2helpU.com**.

Visitez notre site Web

www.blackanddecker.fr pour enregistrer votre nouveau produit Black & Decker et être informé des nouveaux produits et des offres spéciales. Pour plus d'informations concernant la marque Black & Decker et notre gamme de produits, consultez notre site **www.blackanddecker.fr**.

Použití výrobku

Vaše strunová sekačka Black & Decker je určena pro sekání okrajů trávníků a pro sekání trávy na špatně přístupných místech. Tento výrobek je určen pouze pro spotřebitelské použití.

Bezpečnostní pokyny

Varování! Při použití elektrického nářadí napájeného kabelem by měly být vždy dodržovány základní bezpečnostní pokyny, včetně následujících, abyste snížili riziko vzniku požáru, riziko úrazu elektrickým proudem nebo jiného poranění a materiálních škod.

Varování! Při použití tohoto stroje musí být dodržovány bezpečnostní předpisy. S ohledem na vaši vlastní bezpečnost a na bezpečnost okolních osob se před obsluhou sekačky seznámte s těmito pokyny. Tyto pokyny uschovejte na bezpečném místě pro budoucí použití.

- ◆ Před použitím tohoto výrobku si řádně prostudujte celý návod.
- ◆ V tomto návodu je popsáno určené použití tohoto výrobku. Použití jiného příslušenství nebo přídavného zařízení a provádění jiných pracovních operací, než je doporučeno tímto návodem, může způsobit poranění obsluhy.
- ◆ Uschovejte tento návod pro další použití.

Použití výrobku

Při použití tohoto výrobku buďte vždy opatrní.

- ◆ Vždy používejte ochranné brýle nebo jinou vhodnou ochranu zraku.
- ◆ Nikdy nedovolte, aby s tímto výrobkem pracovaly děti nebo osoby, které nejsou seznámeny s těmito pokyny.
- ◆ Nedovolte dětem, ostatním osobám nebo zvířatům, aby se dostaly do blízkosti pracovního prostoru nebo aby se dotýkaly zařízení a napájecího kabelu.
- ◆ Je-li toto nářadí používáno v blízkosti dětí, je vyžadován přísný dohled.
- ◆ Toto nářadí není určeno pro použití nedospělými nebo nezkušenými osobami bez dozoru.
- ◆ Tento výrobek nesmí být použit jako hračka.
- ◆ Používejte toto nářadí pouze za denního světla nebo při dobrém umělém osvětlení.
- ◆ Používejte toto nářadí pouze v suchém prostředí. Zabraňte tomu, aby se toto nářadí dostalo do vlhkého prostředí.
- ◆ Neponořujte toto nářadí do vody.
- ◆ Nepokoušejte se toto nářadí demontovat. Uvnitř se nenachází žádné opravitelné části.
- ◆ Nepoužívejte toto nářadí v prostředích s výbušnou atmosférou, ve kterých se vyskytují hořlavé kapaliny, plyny nebo prachové směsi.

- ◆ Chcete-li snížit riziko poškození zástrčky a napájecího kabelu, nikdy neuvolňujte zástrčku ze zásuvky tahem za kabel.

Bezpečnost ostatních osob

- ◆ Tento výrobek není určen k použití osobami (včetně dětí) se sníženými fyzickými, smyslovými nebo duševními schopnostmi, nebo s nedostatkem zkušeností a znalostí, pokud těmto osobám nebyl stanoven dohled, nebo pokud jim nebyly poskytnuty instrukce týkající se použití výrobku osobou odpovědnou za jejich bezpečnost.
- ◆ Děti musí být pod dozorem, aby si s nářadím nehrály.
- ◆ Přerušete použití tohoto nářadí, pokud se v jeho blízkosti nachází lidé, zejména děti, nebo domácí zvířata.

Zbytková rizika

Je-li nářadí používáno jiným způsobem, než je uvedeno v přiložených bezpečnostních varováních, mohou se objevit dodatečná zbytková rizika. Tato rizika mohou vzniknout v důsledku nesprávného použití, dlouhodobého použití atd.

Přestože jsou dodržovány příslušné bezpečnostní předpisy a jsou používána bezpečnostní zařízení, určitá zbytková rizika nemohou být vyloučena. Tato rizika jsou následující:

- ◆ Zranění způsobená kontaktem s jakoukoli rotující nebo pohybující se částí.
- ◆ Zranění způsobená při výměně dílů, pracovního nástroje nebo příslušenství.
- ◆ Zranění způsobená dlouhodobým použitím nářadí. Používáte-li jakékoli nářadí delší dobu, zajistěte, aby byly prováděny pravidelné přestávky.
- ◆ Poškození sluchu.
- ◆ Zdravotní rizika způsobená vdechováním prachu vytvářeného při použití nářadí (příklad: práce se dřevem, zejména s dubovým, bukovým a MDF).

Po použití

- ◆ Není-li toto nářadí používáno, mělo by být uloženo na suchém a dobře odvětrávaném místě, mimo dosah dětí.
- ◆ K uloženému nářadí by neměly mít přístup děti.
- ◆ Je-li toto nářadí uloženo nebo přepravováno ve vozidle, mělo by být umístěno v kufru nebo zajištěno tak, aby bylo zabráněno jeho pohybu při náhlých změnách rychlosti nebo směru jízdy.

Kontroly a opravy

- ◆ Je-li toto nářadí používáno, před prováděním kontroly, čištění nebo jakékoli práce na tomto

nářadí, proveďte jeho odpojení od elektrické sítě.

- ◆ Před použitím zkontrolujte, zda se na tomto nářadí nenachází žádné poškozené nebo vadné části. Zkontrolujte, zda nejsou jeho části rozbity a zda nejsou poškozeny spínače nebo jiné díly, které by mohly ovlivnit jeho provoz.
- ◆ Nepoužívejte toto nářadí, je-li jakákoli jeho část poškozena.
- ◆ Poškozené a zničené díly nechejte opravit nebo vyměnit v autorizovaném servisu.
- ◆ Nikdy se nepokoušejte demontovat nebo vyměnit jiné díly než ty, které jsou uvedeny v tomto návodu.

Použití prodlužovacího kabelu

Vždy používejte schválený typ prodlužovacího kabelu, který je vhodný pro příkon tohoto nářadí (viz technické údaje). Prodlužovací kabel musí být vhodný pro venkovní použití a musí být také tak označen. Může být použit prodlužovací kabel HO5V V-F s délkou až 30 m a s průřezem vodiče 1,5 mm², aniž by docházelo k výkonovým ztrátám při provozu nářadí. Před použitím prodlužovací kabel řádně prohlédněte, zda není poškozen nebo opotřebován. Je-li tento kabel poškozen, vyměňte jej. V případě použití navinovacího kabelu odvíňte vždy celou délku kabelu.

Doplňující bezpečnostní pokyny pro strunové sekačky

Varování! Po vypnutí motoru se bude struna sekačky ještě chvíli otáčet.

- ◆ Seznamte se s obsluhou a správným použitím tohoto nářadí.
- ◆ Před použitím napájecí kabel řádně prohlédněte, zda není poškozen nebo opotřebován. Dojde-li během práce k poškození napájecího kabelu, okamžitě nářadí vypněte a odpojte napájecí kabel od síťové zásuvky. **NEDOTÝKEJTE SE NAPÁJECÍHO KABELU PŘED JEHO ODPOJENÍM OD ZÁSUVKY.**
- ◆ Pokud je napájecí kabel poškozen nebo opotřebován, výrobek nepoužívejte.
- ◆ Používejte pevnou obuv nebo holínky, aby byla zajištěna ochrana vašich nohou.
- ◆ Nohy si chraňte dlouhými kalhotami.
- ◆ Před použitím nářadí zkontrolujte, zda je prostor, ve kterém budete sekat, zbaven větviček, kamenů, drátů a jiných překážek.
- ◆ Používejte nářadí pouze ve svislé poloze se sekačí strunou těsně nad zemí. Nikdy nespouštějte nářadí v jiné poloze.

- ◆ Při práci s tímto nářadím krácejte pomalu. Uvědomte si, že čerstvě nasekaná tráva je kluzká a vlhká.
- ◆ Nepracujte na příkrých svazích. Na svazích pracujte po vrstevnicích, nikdy ne směrem nahoru a dolů.
- ◆ Je-li nářadí v chodu, nikdy nepřecházejte přes šterkové chodníky nebo cesty.
- ◆ Nikdy se nedotýkejte struny, pokud je nářadí v chodu.
- ◆ Nepokládejte zařízení na zem, dokud se struna zcela nezastaví.
- ◆ Používejte pouze odpovídající typ struny. Nikdy nepoužívejte kovovou strunu nebo rybářský vlasec.
- ◆ Dávejte pozor, abyste se nedotkli sekací struny.
- ◆ Dávejte pozor, aby se napájecí kabel nedostal do blízkosti struny. Stále sledujte polohu napájecího kabelu.
- ◆ Ruce a nohy držte trvale mimo dosah struny, a to zejména při zapínání motoru.
- ◆ Před použitím nářadí a po každém nárazu nářadí zkontrolujte, zda nedošlo k jeho poškození a zda není nutné provedení opravy.
- ◆ Nikdy nepoužívejte nářadí s poškozenými ochrannými kryty nebo bez řádně nasazených ochranných krytů.
- ◆ Dávejte pozor, abyste se nezranili o zařízení, které upravuje délku struny. Po vysunutí nové struny nářadí před spuštěním vždy nastavte do jeho obvyklé pracovní polohy.
- ◆ Zajistěte, aby byly větrací drážky na nářadí stále čisté a zbavené nečistot.
- ◆ Pokud je přívodní napájecí kabel poškozen nebo opotřebován, strunovou sekačku (vyžinač trávy) nepoužívejte.
- ◆ Dbejte na to, aby se prodlužovací napájecí kabely nedostaly do blízkosti struny.

Štítky na nářadí

Na zařízení lze nalézt následující varovné symboly:



Před zahájením obsluhy si řádně prostudujte tento návod.



Při práci s tímto nářadím používejte ochranné brýle.



Při práci s tímto nářadím používejte ochranu sluchu.



Před kontrolou poškozeného napájecího kabelu vždy odpojte zástrčku napájecího kabelu od síťové zásuvky. Nepoužívejte tuto sekačku, je-li poškozen její napájecí kabel.



Dávejte pozor na odlétávající předměty. Udržujte napájecí kabel mimo dosah žací struny.



Nevystavujte toto nářadí dešti nebo prostředí s vysokou vlhkostí.



Směrnice 2000/14/EC týkající se zaručeného akustického výkonu.

Elektrická bezpečnost



Toto nářadí je opatřeno dvojitou izolací. Proto není nutné použití uzemňovacího vodiče. Vždy zkontrolujte, zda napájecí napětí odpovídá napětí na výkonovém štítku.

- ♦ Je-li poškozen napájecí kabel, musí být vyměněn výrobcem nebo v autorizovaném servisu Black & Decker, aby bylo zabráněno možným rizikům.
- ♦ Elektrická bezpečnost může být dále zvýšena použitím proudového chrániče (RCD) s vysokou citlivostí 30 mA.

Popis

Toto nářadí se skládá z několika nebo všech následujících částí.

1. Spínač zapnuto/vypnuto
2. Rukojeť
3. Držák kabelu
4. Přívod napájení
5. Pomocná rukojeť
6. Seřizovací tlačítko
7. Trubice
8. Uložení náhradní cívky
9. Kryt HDL
10. Ochranný kryt
11. Odřezávací nůž struny
12. Pouzdro cívky
13. Struna
14. Vodicí kolečko

Sestavení

Varování! Před montáží se ujistěte, zda je nářadí vypnuto a zda je napájecí kabel odpojen od zásuvky.

Nasazení ochranného krytu (obr. A a B)

- ♦ Z ochranného krytu (10) odšroubujte šroub (15).
- ♦ Položte kryt (10) na nářadí jako na uvedeném obrázku.
- ♦ Kryt řádně přitlačte, aby došlo k jeho řádnému upevnění.
- ♦ Zajistěte ochranný kryt šroubem.
- ♦ Utáhněte šroub.

Varování! Nikdy nepoužívejte toto nářadí bez řádně upevněného ochranného krytu.

Montáž pomocné rukojeti (obr. C)

- ♦ Stiskněte a držte seřizovací tlačítko (6) na boční části rukojeti nářadí.
- ♦ Nasuňte pomocnou rukojeť (5) na určené místo přes seřizovací tlačítko (6).

Varování! Ujistěte se, zda výstupky na tlačítko lícuji s výřezy v rukojeti a zda je rukojeť zajištěna.

Úprava polohy pomocné rukojeti (obr. D)

Pomocná rukojeť (5) může být nastavena tak, aby zaručovala optimální vyvážení a pohodlí.

- ♦ Stiskněte seřizovací tlačítko (6) na levé straně rukojeti.
- ♦ Otočte pomocnou rukojeť (5) do požadované polohy.
- ♦ Uvolněte seřizovací tlačítko (6).

Varování! Ujistěte se, zda výstupky na tlačítko lícuji s výřezy v rukojeti a zda je rukojeť zajištěna.

Seřízení délky nářadí (obr. E a F)

Toto nářadí je vybaveno teleskopickým mechanismem, který vám umožňuje upravení jeho délky podle vašich potřeb. Délka může být nastavena libovolně. Délku upravíte následujícím postupem:

- ♦ Uvolněte pojistnou svorku (16) pro nastavení délky.
- ♦ Požadovanou délku upravte posunem trubice (7) směrem dovnitř nebo ven.
- ♦ Zajistěte pojistnou svorku (16) pro nastavení délky.

Uvolnění žací struny

Během přepravy je struna k cívce přichycena páskou.

- ♦ Odstraňte pásku, kterou je struna přichycena ke krytu cívky (12).

Uložení nepoužívané cívky (obr. G)

Nářadí má dva systémy sečení:

- ♦ **AFS:** Automatický posuv jedné struny pro nenáročné práce a sečení okrajů trávníků.
- ♦ **HDL:** Systém pro náročné sečení u více prostých trávníků.

Poznámka: Cívka HDL může být použita pouze pro režim sečení.

Cívka systému sečení, který není používán, může být uložena v úložném prostoru pro náhradní cívku (pouze modely GL8033 a GL9035).

- ♦ Srovnajte výstupky (17) na krytu cívky s výřezy (18) na úložném pouzdru (8).
- ♦ Zatlačte kryt do úložného pouzdra cívky tak, aby došlo k jeho řádnému usazení.

Připojení nářadí k elektrické síti (obr. H)

- ◆ Připojte koncovku vhodného prodlužovacího kabelu k přívodu napájení (4).
- ◆ Zavěste napájecí kabel na držák kabelu (3).
- ◆ Zasuňte zástrčku napájecího kabelu do síťové zásuvky.

Pro vedení kabelu: Před připojením zástrčky k elektrické síti se ujistěte, zda je kabel uchycen v držáku kabelu.

Varování! Prodlužovací kabel musí být vhodný pro venkovní použití.

Použití

Varování! Nechejte nářadí pracovat jeho vlastním tempem. Zamezte přetěžování nářadí.

Nastavení nářadí do režimu sečení nebo do režimu sečení okrajů trávníků (obr. I a J)

Toto nářadí může být požitó v režimu sečení, jak je znázorněno na obr. I, nebo v režimu sečení okrajů trávníků pro odstranění přerostlé trávy u okraje trávníků a u květinových záhonů, jak je znázorněno na obr. J.

Režim sečení (obr. I)

Při sečení by měla být hlava sekačky v poloze, která je uvedena na obr. I. Není-li tomu tak:

- ◆ Uvolněte pojistnou svorku (16) pro nastavení délky.
- ◆ Otáčejte trubicí (7) ve směru pohybu hodinových ručiček.
- ◆ Jakmile bude hlava sekačky ve správné poloze, zajistěte pojistnou svorku (16) pro nastavení délky.

Poznámka: Trubicí můžete otáčet pouze jedním směrem.

Poznámka: Cívka HDL může být použita pro režim sečení.

Režim sečení okrajů trávníků (obr. J)

Při sečení okrajů trávníků by měla být hlava sekačky v poloze, která je znázorněna na obr. J. Není-li tomu tak:

- ◆ Uvolněte pojistnou svorku (16) pro nastavení délky.
- ◆ Otáčejte trubicí (7) proti směru pohybu hodinových ručiček.
- ◆ Jakmile bude hlava sekačky ve správné poloze, zajistěte pojistnou svorku (16) pro nastavení délky.

Poznámka: Trubicí můžete otáčet pouze jedním směrem.

Zapnutí a vypnutí

- ◆ Chcete-li nářadí zapnout, stiskněte spínač zapnuto/vypnuto (1).
- ◆ Chcete-li nářadí vypnout, uvolněte spouštěcí páčku.

Varování! Nikdy se nepokoušejte zajistit spouštěcí páčku v poloze zapnuto.

Rady pro optimální použití

Všeobecné

- ◆ Chcete-li dosáhnout optimálních výsledků, sečte pouze suchou travu.

Sečení travnatých ploch

- ◆ Nářadí uchopte tak, jak je znázorněno na obr. K.
- ◆ Lehce pohybujte sekačkou ze strany na stranu.
- ◆ Sečete-li vysokou travu, sečte postupně směrem shora. Sečte travu po malých částech.
- ◆ Udržujte nářadí v bezpečné vzdálenosti od tvrdých předmětů a choulostivých rostlin.
- ◆ Bude-li sečení prováděno podél chodníků nebo podél jiných drsných povrchů nebo bude-li prováděno sečení hustějších porostů, opotřebování žací struny bude rychlejší a bude nutný její častější posuv.
- ◆ Pokud nářadí zpomalí chod, snižte jeho zatížení.

Sekání okrajů trávníků

Optimálních výsledků při sekání okrajů trávníků bude dosaženo na okrajích, které jsou hlubší než 50 mm.

- ◆ Nepoužívejte toto nářadí pro vytváření hran. K vytváření hran používejte rycí nářadí.
- ◆ Vedte nářadí pomocí vodícího kolečka, jak je uvedeno na obr. L.
- ◆ Při sečení těsně u země nářadí lehce skloňte.

Upevnění nové cívky se strunou (obr. M a N)

Náhradní cívky se strunou jsou k dispozici u autorizovaného prodejce Black & Decker (kat. č. A6482). K dispozici jsou také balení, která obsahují 3 cívky se strunou (kat. č. A6486).

- ◆ Odpojte napájecí kabel.
- ◆ Držte stisknuté výstupky (17) a sejměte z pouzdra (12) kryt cívky (21) (obr. M).
- ◆ Vyjměte z krytu cívky prázdnou cívku (22).
- ◆ Odstraňte z krytu cívky a z pouzdra všechny nečistoty a zbytky trávy.
- ◆ Uvolněte konec žací struny a protáhněte strunu otvorem (23) (obr. M). Struna by měla z krytu cívky vyčnívat přibližně 11 cm.

Poznámka: Dávejte pozor, aby nedošlo k rozmotání struny na cívce. Stále ji držte pevně jednou rukou.

- ♦ Uchopte novou cívku a nasuňte ji na výstupek na krytu cívky. Lehce cívku pootočte, aby došlo k jejímu řádnému usazení.
- ♦ Srovnejte výstupky (17) na krytu cívky s výřezy (24) na pouzdra (12).
- ♦ Zatlačte kryt do pouzdra cívky tak, aby došlo k jeho řádnému usazení.

Varování! Přečnává-li struna přes odřezávací nůž (11), zkraťte ji tak, aby se tohoto nože pouze dotýkala.

Upevnění nové struny pro náročné sečení (obr. O a P)

K dispozici u autorizovaných prodejců Black & Decker jsou balení 10 kusů strun pro náročné sečení (kat. č. A6489). Při upevňování nové struny postupujte následovně:

- ♦ Odpojte napájecí kabel.
- ♦ Držte stisknuté výstupky (17) a sejměte z pouzdra (12) kryt HDL (9).
- ♦ Odstraňte z krytu HDL (9) a z pouzdra všechny nečistoty a zbytky trávy.
- ♦ Odstraňte z krytu HDL (9) zbytky původní struny.
- ♦ Z jedné nebo druhé strany krytu HDL protáhněte přes otvory (27) novou strunu (20).
- ♦ Umístěte zpevňovací centrální část struny (28) do označené polohy (obr. P).
- ♦ Nasadte zpět kryt HDL.

Varování! Používejte pouze vhodnou strunu Black & Decker.

Výměna síťové zástrčky (pouze pro Velkou Británii a Irsko)

Budete-li instalovat novou zástrčku napájecího kabelu:

- ♦ Zajistěte ekologické odstranění staré zástrčky.
- ♦ Připojte hnědý vodič k svorce pod napětím na nové zástrčce.
- ♦ Modrý vodič připojte k nulové svorce.

Varování! K uzemňovací svorce nebude připojen žádný vodič. Dodržujte montážní pokyny dodávané s kvalitními zástrčkami. Doporučená pojistka: 5 A.

Řešení problémů

Zdá-li se vám, že nářadí nepracuje správně, postupujte podle níže uvedených pokynů. Pokud nebude závada odstraněna, spojte se s autorizovaným servisem Black & Decker.

Varování! Před pokračováním odpojte nářadí od elektrické sítě.

Chod nářadí je pomalý

- ♦ Zkontrolujte, zda se může volně otáčet pouzdro cívky. Je-li to nutné, proveďte pečlivé očištění.
- ♦ Zkontrolujte, zda struna nevyčnívá z pouzdra cívky více než 11 cm. Pokud ano, uřízněte ji tak,

aby zasahovala jen k ostří odřezávacího nože struny.

Automatický posuv struny nepracuje

- ♦ Držte stisknuté výstupky na krytu cívky a sejměte z pouzdra kryt cívky.
- ♦ Povyťáhněte strunu tak, aby vyčnivala z pouzdra cívky zhruba 11 cm. Pokud již není dostačující délka struny k dispozici, vložte podle výše uvedených pokynů do nářadí novou cívku se strunou.
- ♦ Srovnejte výstupky na uzávěru cívky s výřezy v pouzdře.
- ♦ Zatlačte kryt do pouzdra cívky tak, aby došlo k jeho řádnému usazení.
- ♦ Přečnává-li struna přes odřezávací nůž, zkraťte ji tak, aby se tohoto nože pouze dotýkala.

Pokud automatický posuv struny stále nepracuje nebo pokud je cívka zablokovaná, zkuste následující:

- ♦ Pečlivě očistěte pouzdro a uzávěr cívky.
- ♦ Vyjměte cívku a zkontrolujte, zda se může páčka volně pohybovat.
- ♦ Vyjměte cívku a odviňte celou délku struny. Potom proveďte podle výše uvedeného postupu její správné navinutí na cívku. Proveďte uložení cívky do pouzdra podle uvedeného postupu.

Ochrana životního prostředí



Třídte odpad. Tento výrobek nesmí být likvidován v běžném domácím odpadu.

Pokud nebudete výrobek Black & Decker dále používat nebo přejete-li si jej nahradit novým, nelikvidujte jej spolu s běžným komunálním odpadem. Zajistěte likvidaci tohoto výrobku v tříděném odpadu.



Tříděný odpad umožňuje recyklaci a opětovné využití použitých výrobků a obalových materiálů. Opětovné použití recyklovaných materiálů pomáhá chránit životní prostředí před znečištěním a snižuje spotřebu suroviny.

Při zakoupení nových výrobků vám prodejny, místní sběrný odpadů nebo recyklační stanice poskytnou informace o správné likvidaci elektroodpadů z domácnosti.

Společnost Black & Decker poskytuje službu sběru a recyklace výrobků Black & Decker po skončení jejich provozní životnosti. Chcete-li využít výhody této služby, odevzdejte prosím váš výrobek kterémukoli autorizovanému zástupci servisu, který zařízení odebere a zajistí jeho recyklaci.

Místo nejbližšího autorizovaného servisu Black & Decker naleznete na příslušné adrese uvedené v tomto návodu. Seznam autorizovaných servisů Black & Decker a podrobnosti o poprodejním servisu naleznete také na internetové adrese: www.2helpU.com.

Technické údaje

	GL7033 (Typ 1)	GL8033 (Typ 1)	GL9035 (Typ 1)
Napájecí napětí	V 230	230	230
Příkon	W 700	800	900
Otáčky naprázdno	min ⁻¹ 7000	7000	7000
Hmotnost	kg 3,2	3,2	3,2

Hodnota akustického tlaku:

Akustický tlak (L_{pA}) 80 dB(A), odchylka (K) 2 dB(A),
Akustický výkon (L_{WA}) 94 dB(A), odchylka (K) 2 dB(A)

Celková úroveň vibrací (prostorový vektorový součet) podle normy EN 786:

Hodnota vibrací (a_w) 8,2 m/s², odchylka (K) 1,5 m/s²

ES Prohlášení o shodě

SMĚRNICE PRO STROJNÍ ZAŘÍZENÍ
NAŘÍZENÍ TÝKAJÍCÍ SE VNĚJŠÍHO HLUKU



GL7033/GL8033/GL9035

Společnost Black & Decker prohlašuje, že tyto výrobky popisované v technických údajích splňují požadavky následujících norem: 2006/42/EC, EN 60335-1, EN 60335-2-91 2000/14/EC, sekačka trávy L ≤ 50 cm, příloha VIII KEMA Quality B.V., Utrechtseweg 310, 6802 ED Arnhem, The Netherlands
Úředně stanovený orgán ID č.: 0344

Hladina akustického výkonu podle normy 2000/14/EC

(Článek 12, příloha III, L ≤ 50 cm):

L_{WA} (měřený akustický výkon) 94 dB(A)
odchylka (K) = 2 dB(A)

L_{WA} (zaručená hodnota akustického výkonu) 96 dB(A)

odchylka (K) = 2 dB(A)

Tyto výrobky splňují také požadavky směrnice 2004/108/EC a 2011/65/EU.

Chcete-li získat další informace, kontaktujte prosím společnost Black & Decker na následující adrese nebo na adresách, které jsou uvedeny na konci tohoto návodu. Niže podepsaná osoba je odpovědná

za sestavení technických údajů a provádí toto prohlášení v zastoupení společnosti Black & Decker.

Kevin Hewitt
Vicepresident
pro spotřebitelskou techniku
Black & Decker Europe,
210 Bath Road, Slough,
Berkshire, SL1 3YD
United Kingdom
17-10-2012

Záruka

Společnost Black & Decker je přesvědčena o kvalitě svých výrobků a nabízí mimořádnou záruku. Tato záruka je nabízena ve prospěch zákazníka a nijak neovlivní jeho zákonná záruční práva. Tato záruka platí ve všech členských státech EU a evropské zóny volného obchodu EFTA.

Objeví-li se na výrobku Black & Decker, v průběhu 24 měsíců od zakoupení, jakékoli materiálové či výrobní vady, společnost Black & Decker garantuje ve snaze o minimalizování vašich starostí bezplatnou výměnu vadných dílů, opravu nebo výměnu celého výrobku za níže uvedených podmínek:

- ♦ Tento výrobek nebyl používán pro obchodní nebo profesionální účely a nedocházelo-li k jeho pronájmu.
- ♦ Tento výrobek nebyl vystaven nesprávnému použití a nebyla zanedbána jeho předepsaná údržba.
- ♦ Tento výrobek nebyl poškozen cizím zaviněním.
- ♦ Opravy nebyly prováděny jinými osobami, než autorizovanými opraváři nebo mechaniky autorizovaného servisu Black & Decker.

Požadujete-li záruční opravu, budete muset prodejci nebo zástupci autorizovaného servisu předložit doklad o zakoupení výrobku. Místo nejbližšího autorizovaného servisu Black & Decker naleznete na příslušné adrese uvedené v tomto návodu. Seznam autorizovaných servisů Black & Decker a podrobnosti o poprodejním servisu naleznete také na internetové adrese: www.2helpU.com.

Navštivte prosím naše internetové stránky www.blackanddecker.co.uk, kde můžete zaregistrovat váš nový výrobek Black & Decker a kde můžete získat informace o našich nových výrobcích a speciálních nabídkách. Na adrese www.blackanddecker.co.uk jsou k dispozici další informace o značce Black & Decker a o celé řadě našich dalších výrobků.

Rendeltetésszerű használat

Az Ön Black & Decker márkájú fűszegélyvágóját pázsitszegélyek vágására és kiigazítására, illetve szűk helyeken való fűnyírásra terveztük. A fűszegélyvágó iparszerű felhasználásra nem alkalmas.

Biztonságtechnikai előírások

Figyelmeztetés! Hálózati áramforrásról működtetett készülékek használatakor tűz, áramütés, személyi sérülés és anyagi kár veszélyének csökkentése érdekében többek között a következő alapvető biztonságtechnikai előírásokat mindig be kell tartani.

Figyelmeztetés! A szerszám használatánál a biztonsági szabályokat be kell tartani. A saját és az arra járók biztonsága érdekében kérjük, hogy a gép használata előtt olvassa át ezeket az útmutatásokat. Kérjük, őrizze meg az útmutatót későbbi használatra.

- ◆ A készülék használata előtt alaposan tanulmányozza át teljes egészében ezt a kézikönyvet.
- ◆ A készülék rendeltetésszerű használatát ebben a kézikönyvben ismertetjük. A kézikönyvben nem ajánlott tartozék vagy kiegészítő használata, illetve itt fel nem sorolt műveletek végzése személyi sérülés veszélyével jár.
- ◆ Őrizze meg ezt a kézikönyvet későbbi használatra.

A készülék használata

Mindig körültekintően használja.

- ◆ Mindig viseljen biztonsági szemüveget vagy védőszemüveget.
- ◆ Ne engedje, hogy gyermekek vagy a használati útmutatót nem ismerő személyek használják a készüléket.
- ◆ Ne engedje, hogy gyermekek vagy állatok a munkaterület közelébe menjenek, illetve hozzáférjenek a készülékhez és a tápkábelhez.
- ◆ Szoros felügyelet szükséges, amikor a készüléket gyermekek közelében használják.
- ◆ A készüléket túl fiatal vagy nem egészséges személyek csak felügyelet alatt használhatják.
- ◆ Ez a készülék nem játékszer.
- ◆ Csak nappali fénynél vagy megfelelő mesterséges világítás mellett használja.
- ◆ Csak száraz helyen dolgozzon vele. Ne hagyja, hogy nedvesség érje a készüléket.
- ◆ Ne merítse vízbe.
- ◆ Ne nyissa fel a készülék burkolatát. A készülék belsejében nincsenek felhasználó általi szervizelést igénylő alkatrészek.
- ◆ Robbanásveszélyes környezetben, például gyúlékony folyadékok, gázok vagy por jelenlétében ne használja.

- ◆ A csatlakozó dugasz és a kábel sérülésének elkerülése érdekében soha ne a kábelnél fogva húzza ki a dugaszt a konnektorból.

Mások biztonsága

- ◆ Ezt a szerszámot nem használhatják olyan személyek (a gyermekeket is beleértve), akik nincsenek fizikai, érzékelési vagy mentális képességeik teljes birtokában, vagy nincs meg a szükséges tapasztalatuk és tudásuk, kivéve, ha a biztonságukért felelős személy felügyeletet vagy a készülék használatához kioktatást biztosít számukra.
- ◆ Ügyelni kell arra, hogy gyermekek ne játszanak a szerszámmal.
- ◆ Soha ne használja a készüléket, ha emberek, különösen gyermekek, vagy háziállatok tartózkodnak a közelben.

Maradványkockázatok

A szerszám használata további, a biztonsági figyelmeztetések között esetleg fel nem sorolt maradványkockázatokkal is járhat. Ezek a szerszám nem rendeltetésszerű, illetve huzamosabb idejű használatából stb. adódhatnak.

Bizonyos kockázatok a vonatkozó biztonsági előírások betartása és a védőberendezések használata ellenére sem kerülhetők el. Ezek a következők lehetnek:

- ◆ Forgó-mozgó alkatrészek megérintése miatti sérülések.
- ◆ Alkatrészek, vágópengék, tartozékok cseréje közben bekövetkező sérülések.
- ◆ A szerszám huzamosabb idejű használata által okozott sérülések. Ha a szerszámot huzamosabb ideig használja, rendszeresen iktasson be szüneteket.
- ◆ Halláskárosodás.
- ◆ A fűrészpor belégzése miatti egészségi veszély (pl. faanyag, különösen tölgy, bükk és rétegelt lemez (MDF) vágásánál).

Használat után

- ◆ A használaton kívüli készüléket száraz, jól szellőző helyen, gyermekektől elzárva tartsa.
- ◆ Ügyeljen, hogy gyermekek ne férhessenek hozzá a tárolt készülékekhez.
- ◆ Ha a készüléket járműben tárolja vagy szállítja, tartsa a csomagtartóban vagy kötözze le, hogy hirtelen sebesség- vagy irányváltáskor ne mozdulhasson el.

Átvizsgálás és javítások

- ◆ Kapcsolja le a gépet az elektromos hálózatról, mielőtt ellenőrzi, tisztítja vagy szervizelést

- ◆ végez rajta, illetve amikor nincs használatban.
- ◆ Használat előtt ellenőrizze, nincs-e a készüléken sérült vagy hibás alkatrész. Ellenőrizze, nincsenek-e eltörve egyes alkatrészei, vagy nem áll-e fenn olyan körülmény, amely a készülék működését befolyásolhatja.
- ◆ Ne használja a készüléket, ha bármelyik alkatrésze sérült vagy hibás.
- ◆ A sérült vagy hibás alkatrészt márkaszervizzel javíttassa meg vagy cseréltesse ki.
- ◆ Soha ne próbáljon olyan alkatrészt kiszerezni vagy kicserélni, amelyet ez a kézikönyv nem említ.

Hosszabbító kábel használata

Mindig jóváhagyott, a készülék teljesítményfelvételének megfelelő hosszabbító kábelt használjon (lásd a műszaki adatoknál). Kültéri alkalmazáshoz megfelelő és ilyen értelmű jelöléssel ellátott hosszabbító kábelt vegyen igénybe. A termék teljesítményének csökkenése nélkül legfeljebb 30 m hosszú és 1,5 mm² keresztmetszetű HO5VV-F hosszabbító kábelt használhat. Használat előtt ellenőrizze, nem sérült, kopott vagy elöregedett-e a hosszabbító kábel. Ha sérült vagy hibás, cserélje ki. Amennyiben kábeldobon lévő hosszabbító kábelt használ, úgy azt a munka megkezdése előtt mindig teljesen tekerje le.

További biztonsági útmutatások fűszegélyvágókhoz

Figyelmeztetés! A vágó alkatrészek a motor kikapcsolása után egy ideig még forognak.

- ◆ Ismerkedjen meg a készülék kezelőszerveivel és helyes használatával.
- ◆ Használat előtt ellenőrizze a tápkábelt és a hosszabbító kábelt, nem észlelhető-e rajtuk sérülés, kopás vagy elöregedés jele. Ha valamilyen kábel használat közben megsérül, azonnal csatlakoztassa le a gépet a hálózati áramforrásról. **A KÉSZÜLÉK ÁRAMTALANÍTÁSA ELŐTT NE ÉRJEN A KÁBELHEZ.**
- ◆ Ne használja a készüléket, ha a kábelei sérültek vagy kopottak.
- ◆ Védje a lábát masszív cipővel vagy csizmával.
- ◆ A lábszára védelmére viseljen hosszúnadrágot.
- ◆ A készülék használata előtt ellenőrizze, nincsenek-e a vágás útjában botok, kövek, drótok vagy más akadályok.
- ◆ Csak függőleges helyzetben használja a készüléket, a vágószál pedig a talaj közelében legyen. Más helyzetben semmiképpen ne kapcsolja be a készüléket.

- ◆ A készülék használata közben lassan mozogjon. Ne feledje, hogy a frissen vágott fű nedves és csúszós.
- ◆ Ne dolgozzon meredek lejtőkön. Lejtőn keresztirányban haladva végezze a munkát, nem pedig fel-le irányban.
- ◆ Működésben lévő készülékkel soha ne kereszteszen kavicsos ösvényt vagy utat.
- ◆ Ne nyúljon a vágószálhoz, ha a szerszám be van kapcsolva.
- ◆ Ne tegye le a készüléket, amíg a vágószál teljesen le nem áll.
- ◆ Csak a megfelelő típusú vágószálat használja. Soha ne használjon fém vágószálat vagy horgászszinórt.
- ◆ Vigyázzon, hogy ne érjen a szálvágó pengéhez.
- ◆ A tápkábelt tartsa távol a vágószáltól. Mindig tudnia kell, merre fut a tápkábel.
- ◆ Kezét, lábát mindig, de különösen a motor bekapcsolásakor tartsa távol a vágószáltól.
- ◆ A szerszám használata előtt és esetleges ütődése után ellenőrizze, nem sérült vagy kopott-e; ha szükséges, javítsa meg.
- ◆ Soha ne dolgozzon a készülékkel, ha a védőburkolat sérült vagy nincs a helyén.
- ◆ Ügyeljen arra, nehogy sérülést szenvedjen a vágószál levágására szolgáló alkatrész miatt. Új vágószál kihúzása után még bekapcsolás előtt állítsa mindig normál működési helyzetébe a gépet.
- ◆ Mindig győződjön meg arról, hogy a szellőzőnyílások törmeléktől mentesek.
- ◆ Ne használja a pázsit-, illetve szegélyvágót, ha a kábelei sérültek vagy kopottak.
- ◆ A hosszabbító kábelt tartsa távol a vágó alkatrészekről.

A készüléken elhelyezett címkék

A készüléken a következő figyelmeztető szimbólumokkal találkozhat:



A készülék használata előtt olvassa el a kézikönyvet.



A készülék használatakor viseljen biztonsági szemüveget vagy védőszemüveget.



A szerszám használata közben hordjon alkalmas fülvédőt.



Sérült kábel átvizsgálása előtt mindig csatlakoztassa le a gépet az áramforrásról. Soha ne használja a készüléket, ha a kábele sérült.



Óvakodjon a repülő tárgytól. Az arra járókat tartsa távol a vágási területtől.



Esőtől és egyéb nedvességtől óvja a készüléket.



Zajszint a 2000/14/EK irányelv szerint garantálva.

Elektromos biztonság



Ez a készülék kettős szigetelésű, ezért nincs szükség földelő vezetékre. Mindig ellenőrizze, hogy a szerszám adattábláján megadott feszültség megfelel-e az áramforrás feszültségének.

- ◆ Ha a hálózati kábel sérült, a veszély elkerülése érdekében cseréltesse ki a gyártóval vagy egyik hivatalos Black & Decker szakszervizzel.
- ◆ Az elektromos biztonság egy nagy érzékenységgű, 30 mA-es maradékáram megszakítóval (RCD) tovább fokozható.

Részegységek

Ez a készülék az alábbi részegységek némelyikét vagy mindegyikét tartalmazza.

1. Üzemi kapcsoló
2. Fogantyú
3. Kábelrögzítő
4. Tápbemenet
5. Pótfogantyú
6. Pótfogantyú állító gomb
7. Nyél
8. Tartalékosó tartó
9. HDL fedél
10. Védőburkolat
11. Szálvágó penge
12. Orsóház
13. Vágószál
14. Szélvezető kerék

Összeszerelés

Figyelmeztetés! Összeszerelés előtt győződjön meg arról, hogy a készülék ki van kapcsolva, és a dugasza ki van húzva a konnektorból.

A védőburkolat felszerelése (A és B ábra)

- ◆ Hajtsa ki a csavart (15) a védőburkolatból (10).
- ◆ Tegye a védőburkolatot (10) a szerszámmra az ábra szerint.
- ◆ Határozottan nyomja a védőburkolatot, amíg a helyére kattant.
- ◆ Rögzítse a csavarral.
- ◆ Húzza meg a csavart.

Figyelmeztetés! Soha ne használja a készüléket addig, amíg a védőburkolat nincs helyesen felszerelve.

A pótfogantyú felszerelése (C ábra)

- ◆ Nyomja be és tartsa benyomva a készülékest oldalán lévő állítógombot (6).
- ◆ Csúsztassa a segédfogantyút (5) az állítógombon (6) át a helyére.

Figyelmeztetés! Bizonyosodjon meg arról, hogy a gomb fogai pontosan illeszkednek a fogantyú réseibe, és hogy a fogantyú biztonságosan rögzítve van.

A pótfogantyú helyzetének beállítása (D ábra)

A pótfogantyú (5) az optimális egyensúly és kényelem érdekében állítható.

- ◆ Nyomja be a fogantyú bal oldalán elhelyezett állítógombot (6).
- ◆ Fordítsa a segédfogantyút (5) a kívánt helyzetbe.
- ◆ Engedje el az állítógombot (6).

Figyelmeztetés! Bizonyosodjon meg arról, hogy a gomb fogai pontosan illeszkednek a fogantyú réseibe, és hogy a fogantyú biztonságosan rögzítve van.

A szerszám magasságának állítása (E és F ábra)

A fűszegélyvágó a teleszkópos nyél segítségével az Önnek legkényelmesebb magasságra állítható. Több magassági beállítás is lehetséges. A magasság állítását a következők szerint végezze:

- ◆ Oldja ki a magasságállító rögzítőkapcsát (16).
- ◆ Finoman húzza a nyelet (7) felfelé vagy lefelé a kívánt magasságra.
- ◆ Zárja a magasságállító rögzítőkapcsát (16).

A vágószál kioldása

Szállításnál a vágószálat ragasztószalaggal a orsóházhoz rögzítik.

- ◆ Távolítsa el a vágószálat az orsóházhoz (12) rögzítő ragasztócsíkot.

Használaton kívüli orsó tárolása (G ábra)

A szerszámnak két vágórendszere van:

- ◆ **AFS:** Egyszálas automatikus utánállítás könnyű fűszegélyvágáshoz és szélezéshez.
- ◆ **HDL:** Nagy igénybevételre tervezett kétszálas vágórendszer sűrűbben benőtt területekhez.

Tartsa szem előtt: A HDL orsó csak fűszegélyvágó módban használható.

A használatban nem lévő vágórendszer a tartalékorsó-tartón tárolható (csak GL8033 és GL9035 típusnál).

- ◆ Igazítsa hozzá az orsófedélen lévő füleket (17) az orsóház kivágásaihoz (18) a tartalék orsótartón (8).
- ◆ Nyomja rá a fedelet a tartalék orsótartóra, hogy a helyére bepattanva rögzítődjön.

A készülék csatlakoztatása az elektromos hálózatra (H ábra)

- ◆ Csatlakoztassa a megfelelő hosszabbító kábel dugaszolóaljzatát a fűszegélyvágó tápbemene-tére (4).
- ◆ Bújtsa át a kábelt a kábelrögzítőn (3).
- ◆ A hosszabbító kábelt csatlakoztassa a hálózati tápellátásra.

Bekötött kábel esetén: A kábelt ne felejtse el át-bújtatni a kábelrögzítőn, mielőtt a dugaszt a hálózati csatlakozóaljzatba dugja.

Figyelmeztetés! Csak kültéri használatra alkalmas hosszabbító kábelt használjon.

A szerszám használata

Figyelmeztetés! Hagyja a szerszámot saját tempójában működni. Ne terhelje túl.

A készülék fűszegélyvágó vagy szélező üzemmódjának beállítása (I és J ábra)

A készülék használható fűszegélyvágó üzemmódban az I ábrán bemutatott módon, vagy szélező üzemmódban a pázsit szélei és a virággyakba benyúló fű vágására az J ábra szerint.

Fűszegélyvágó mód (I ábra)

Fűszegély vágásához a fejnek az I ábrán látható helyzetben kell lennie. Ha nem ott van, az alábbiakat tegye:

- ◆ Oldja ki a magasságállító rögzítőkapcsát (16).
- ◆ Forgassa a nyelet (7) az óramutató járásának irányában.
- ◆ Amint a fej a megfelelő helyzetbe került, zárja a magasságállító rögzítőkapcsát (16).

Tartsa szem előtt: A nyél csak egy irányban fordítható el.

Tartsa szem előtt: A HDL orsó fűszegélyvágó módban használható.

Szélező mód (J ábra)

Szélek vágásához a fejnek a J ábrán látható helyzetben kell lennie. Ha nem ott van, az alábbiakat tegye:

- ◆ Oldja ki a magasságállító rögzítőkapcsát (16).
- ◆ Forgassa a nyelet (7) az óramutató járásával ellentétes irányban.

- ◆ Amint a fej a megfelelő helyzetbe került, zárja a magasságállító rögzítőkapcsát (16).

Tartsa szem előtt: A nyél csak egy irányban fordítható el.

A szerszám be- és kikapcsolása

- ◆ A szerszám bekapcsolásához nyomja meg az üzemi kapcsolót (1).
- ◆ A szerszám kikapcsolásához engedje el az indítókart.

Figyelmeztetés! Bekapcsolt állásban soha ne próbálja rögzíteni az indítókart.

Javaslatok a szerszám optimális használatához

Általános tanácsok

- ◆ Az optimális vágási eredmény érdekében csak száraz fűvet vágjon.

Fűszegély vágás

- ◆ A K ábrán látható módon tartsa a készüléket.
- ◆ Lassan lengesse a készüléket egyik oldalról a másikra.
- ◆ Ha magas fűvet vág, fokozatosan, lépésenként haladjon felülről lefelé. Rövid vágásokat végezzen.
- ◆ Kemény tárgyaktól és kényes növényektől tartsa távol a szerszámot.
- ◆ A vágószál gyorsabban kopik, és több utánállítást igényel, ha kövezet vagy egyéb dörzshatású felület mentén vág vagy keményebb növényeket vág.
- ◆ Ha a szerszám kezd lassabban forogni, csökkentse a terhelést.

Szélezés

Optimális vágási eredmény 50 mm-nél mélyebb fűszegély vágásánál érhető el.

- ◆ Ne használja a szerszámot szegély kialakítására. Új fűszegély kialakításához szegélyvágó ásót használjon.
- ◆ Az L ábrán látható módon irányítsa a szerszámot.
- ◆ Ha rövidebbre akarja vágni a fűvet, kissé döntse meg a készüléket.

Új vágószál-orsó felszerelése (M és N ábra)

Csereorsók vágószállal együtt (termékkód: A6482) beszerezhetők a Black & Decker szakkereskedőknél. 3 csereorsót tartalmazó csomagok is beszerezhetők (termékkód: A6486).

- ◆ Áramtalanítsa a gépet.
- ◆ Tartsa lenyomva a füleket (17), és vegye le az orsófedelelet (21) az orsóhátról (12) (M ábra).

- ♦ Vegye le az üres orsót (22) a orsófedélről.
- ♦ Távolítson el minden szennyeződést és fűmaradványt az orsófedélből és a házból.
- ♦ Szabadítsa ki a vágószál végét, és fűzze be a befűzőnyílásba (23) (M ábra). A vágószál kb. 11 cm-re lógjon ki az orsófedélből.

Tartsa szem előtt: Vigyázzon, nehogy lesodródjon a szál az orsóról. Egyik kezével mindig tartsa erősen.

- ♦ Fogja az új orsót, és nyomja rá az orsófedélen lévő kiemelkedésre. Kissé forgassa meg a orsót, hogy a helyére csússzon.
- ♦ Igazítsa hozzá az orsófedélen lévő füleket (17) az orsóház (12) kivágásaihoz (24).
- ♦ Nyomja rá a fedelet az orsóházra, hogy a helyére bepattanva rögzítődjön.

Figyelmeztetés! Ha a vágószál túlnyúlik a vágópengén (11), vágja akkorára, hogy éppen csak a pengéig érjen.

Nagy igénybevételre készült új vágószál felszerelése (O és P ábra)

10 nagy igénybevételre készült vágószál tartalmazó csomagokat (termékkód: A6489) beszerezhet Black & Decker márkakereskedőjétől. Új vágószál felszerelését az alábbi módon végezze:

- ♦ Áramtalanítsa a gépet.
- ♦ Tartsa lenyomva a füleket (17) és vegye le az orsó HDL fedelét (9) a házról (12).
- ♦ Távolítson el minden szennyeződést és fűmaradványt az HDL fedélből (9) és a házból.
- ♦ Távolítsa el a régi vágószálát a HDL fedélből (9).
- ♦ Fűzzön át új szálát (20) a HDL fedél bármelyik oldalán lévő befűzőnyílásokon (27).
- ♦ Tegye a középső szorítót (28) a jelzett helyzetbe (P ábra).
- ♦ Tegye vissza a HDL fedelet.

Figyelmeztetés! Csak megfelelő típusú Black & Decker vágószálát használjon.

Tápcsatlakozó cseréje (csak az Egyesült Királyságban és Írországban)

Ha új tápcsatlakozó dugaszra van szüksége:

- ♦ A régi dugaszt biztonságos módon semmisítse meg.
- ♦ A barna vezetékét kösse az új csatlakozódugó fázis csatlakozójához.
- ♦ A kék vezetékét csatlakoztassa a nulla érintkezőhöz.

Figyelmeztetés! A földelő csatlakozóhoz nem kell vezetékét kötnie. Kövesse a minőségi dugaszokhoz mellékelt szerelési útmutatót. Ajánlott biztosíték: 5 A.

Hibaelhárítás

Ha úgy látja, hogy a szerszám nem működik megfelelően, kövesse az alábbi útmutatásokat. Ha ez nem oldja meg a problémát, vegye fel a kapcsolatot a helyi Black & Decker márkaszervizzel.

Figyelmeztetés! Mielőtt folytatná, áramtalanítsa a szerszámot.

A gép lassan működik

- ♦ Ellenőrizze, hogy az orsóház képes-e szabadon forogni. Szükség esetén alaposan tisztítsa meg.
- ♦ Ellenőrizze, hogy a vágószál nem lóg-e ki 11 cm-nél hosszabban az orsóház fedeléből. Ha hosszabban lóg ki, vágja le úgy, hogy éppen a pengéig érjen.

Nem működik az automatikus vágószál-utánállítás

- ♦ Tartsa lenyomva a füleket, és vegye le az orsófedelelet a házról.
- ♦ A vágószálát húzza ki 11 cm-re az orsóházból. Ha nincs elegendő vágószál az orsón, a fent leírt módon szereljen fel új orsót.
- ♦ Igazítsa az orsófedélen lévő füleket a ház kivágásaihoz.
- ♦ Nyomja rá a fedelet az orsóházra, hogy a helyére bepattanva rögzítődjön.
- ♦ Ha a vágószál túlnyúlik a levágó pengén, vágja le úgy, hogy éppen a pengéig érjen.

Ha továbbra sem működik az automatikus vágószál-utánállítás, vagy az orsó még mindig szorul, próbálkozzon a következőkkel:

- ♦ Alaposan tisztítsa meg az orsófedelelet és a házat.
- ♦ Szerelje le az orsót, és ellenőrizze, hogy szabadon mozog-e a kar.
- ♦ Szerelje le az orsót, tekerje le a vágószálát, majd tekerje fel újból, hogy a szálak egymás mellett legyenek, a fent leírt módon. Helyezze vissza az orsót az előzőek szerint.

Környezetvédelem



Elkülönítve gyűjtendő. Ezt a terméket el kell különíteni a normál háztartási hulladéktól.

Egy napon, mikor készüléke eléri technikai élettartamának végét, vagy nincs további szüksége rá, gondoljon a környezetvédelemre. Ezt a terméket a normál háztartási hulladéktól elkülönítve kell megsemmisíteni.



Az elhasznált termékek és csomagolások elkülönített begyűjtése lehetővé teszi ezek újrahasznosítását. Újrahasznosított vagy újra feldolgozott anyagok segítségével a környezetszennyezés, illetve a nyersanyagok iránti igény nagymértékben csökkenthető.

A helyi előírások rendelkezhetnek az elektromos készülékek háztartási hulladéktól elkülönített begyűjtéséről, helyhatósági hulladéklerakó helyeken vagy a kereskedők által új termék megvásárlásakor.

A Black & Decker lehetőséget biztosít a Black & Decker termékek begyűjtésére és újrafeldolgozására, amint azok elérték élettartamuk végét. Ez a szolgáltatás ingyenes. Ha igénybe veszi, kérjük, juttassa el készülékét a legközelebbi megbízott szervizbe, melyekről a Magyarországi Képviseletnél érdeklődhet.

Az Önhöz legközelebbi márkaszerviz címét a Magyar-országi Képviseletől vagy ebből a kézikönyvből tudhatja meg. Emellett a hivatalos Black & Decker szervizek listája, illetve eladás utáni szolgáltatásaink és ezek elérhetőségének részletes ismertetése a következő honlapon érhető el: www.2helpU.com.

Műszaki adatok

	GL7033 (1-es típus)	GL8033 (1-es típus)	GL9035 (1-es típus)
Feszültség	V _{AC} 230	230	230
Felvett teljesítmény	W 700	800	900
Üresjárat fordulatszám	min ⁻¹ 7000	7000	7000
Súly	kg 3,2	3,2	3,2

Hangnyomásszint:

Hangnyomás (L_{PA}) 80 dB(A), bizonytalanság (K) 2 dB(A),
zajsztint (L_{WA}) 94 dB(A), bizonytalanság (K) 2 dB(A)

Vibrációs összérték (triax vektorösszeg) az EN 786 szabvány szerint:

Vibráció kibocsátási érték (a_v) 8,2 m/s²,
bizonytalanság (K) 1,5 m/s²

CE megfelelési nyilatkozat

GÉPEKRE VONATKOZÓ IRÁNYELV
KÜLTÉRI ZAJRA VONATKOZÓ IRÁNYELV



GL7033/GL8033/GL9035

A Black & Decker kijelenti, hogy a „Műszaki adatok” alatt ismertetett termékek megfelelnek a következő

irányelveknek és szabványoknak: 2006/42/EK, EN 60335-1, EN 60335-2-91 2000/14/EK, Fűszegélyvágó, L ≤ 50 cm, VIII. melléklet

KEMA Quality B.V., Utrechtseweg 310, 6802 ED Arnhem, Hollandia

Tanúsító szervezet azonosító száma: 0344

Zajsztint a 2000/14/EK szabvány szerint (12. cikkely, III. melléklet, L ≤ 50 cm):

L_{WA} (mért zajsztint) 94 dB(A)

bizonytalanság (K) = 2 dB(A)

L_{WA} (garantált zajsztint) 96 dB(A)

bizonytalanság (K) = 2 dB(A)

Ezek a termékek a 2004/108/EK és a 2011/65/EU irányelveknek is megfelelnek.

További tájékoztatásért forduljon a Black & Decker vállalathoz az alábbi címen vagy a kézikönyv végén található elérhetőségeken. Az aláírás tulajdonosa a műszaki adatok összeállításáért felelős személy; nyilatkozatát a Black & Decker vállalat nevében adja.

Kevin Hewitt
alelnök

Global Engineering
Black & Decker Europe,
210 Bath Road, Slough,
Berkshire, SL1 3YD
Egyesült Királyság
17-10-2012

Az Önhöz legközelebbi hivatalos márkaszervizt a kézikönyvben megadott helyi Black & Decker képviselő segítségével érheti el. Alternatív megoldásként a szerződött Black & Decker szervizek listája, illetve az eladásutáni szolgáltatásaink és ezek elérhetőségének részletes ismertetése a következő internetes címen érhető el: www.2helpU.com.

Kérjük, látogassa meg a www.blackanddecker.hu weboldalunkat, hogy regisztrálja az új Black & Decker termékét, ill. hogy megismerje az új termékeinkkel és egyedi ajánlatainkkal kapcsolatos legújabb híreinket. A Black & Decker márkával és termékválasztékunkkal kapcsolatos további tájékoztatást a www.blackanddecker.hu internetes címen találhat.

BLACK & DECKER JÓTÁLLÁSI FELTÉTELEK

Gratulálunk Önnek ennek az értékes Black & Decker készülék megvásárlásához.

Azon termékeinkre, amelyet fogyasztói szerződés keretében háztartási, hobby célra vásárolnak **24 hónap jótállást biztosítunk.**

A termék iparszerű használatra nem alkalmas!

A jótállás a fogyasztó törvényből eredő jogait nem érinti.

- 1) A Stanley Black & Decker Hungary Kft. kötelezettséget vállal arra, hogy a jótállás keretében végzett javításokat a 49/2003. (VII.30.) GKM rendelet és a 151/2003. (IX.22.) Korm. rendelet szerint végzi a jótállás teljes időtartama alatt.
 - a) A fogyasztó jótállási igényét a jótállási jeggyel érvényesítheti, ezért azt őrizze meg.
 - b) Vásárláskor a forgalmazónak (kereskedőnek) a jótállási jegyen fel kell tüntetnie a termék típusát, gyártási számát, továbbá – amennyiben van ilyen – azonosításra alkalmas részeinek meghatározását, illetve a vásárlás időpontját. A jótállási jegyet a forgalmazó (kereskedő) nevében eljáró személynek alá kell írnia és a kereskedés azonosítására alkalmas tartalmú (minimum cégnev, üzlet címe) bélyegzővel olvashatóan le kell bélyegezni. Kérjük, kísérvé figyelemmel a jótállási jegy megfelelő érvényesítését, mivel a kijelölt szervizeknél a jótállási igény csak érvényes jótállási jeggyel érvényesíthető. Amennyiben a jótállási jegy szabálytalanul került kiállításra, jótállási igényével kérjük forduljon a terméket az Ön részére értékesítő partnerünkhöz (kereskedőhöz). A jótállási jegy szabálytalan kiállítása vagy a fogyasztó részére történő átadás elmaradása nem érinti a jótállási kötelezettségvállalás érvényességét. Kérjük, hogy a jótállási jegyen kívül a nyugtát vagy számlát is szíveskedjen megőrizni a gyorsabb és hatékonyabb ügyintézés érdekében.
 - c) Elvesztett jótállási jegyet csak a fogyasztói szerződés létrejöttét igazoló nyugta vagy számla ellenében tudunk pótolni!
- 2) **Nem terjed ki a jótállás:**
 - a) amennyiben a hiba oka rendeltetésszerű, illetve a mellékelt magyar nyelvű használati kezelési útmutatóban foglaltaktól eltérő használat, átalakítás, szakszerűtlen kezelés, helytelen tárolás, elemi kár vagy egyéb a vásárlás után a fogyasztó érdekkörében keletkezett ok;
 - b) amennyiben a terméket iparszerű (professzionális) célokra használták, kölcsönzési szolgáltatás nyújtásához használták fel (nem fogyasztói szerződés);
 - c) azon alkatrészekre, amelyek esetében a meghibásodás a jótállási időn belüli rendeltetésszerű használat mellett az alkatrészek természetes elhasználódása, kopása miatt következett be (így különösen: fűrészlánc, fűrészlap, gyalukés, meghatoszój, csapágycsák, szénkefe, csillagkerék);
 - d) a készülék túlterhelése miatt jelentkező hibákra, amelyek a hajtómű meghibásodásához, vagy egyéb ebből adódó károkhoz vezetnek;
 - e) a termék nem hivatalos szervizben történt javításából eredő hibákra;
 - f) az olyan károsodásokra, amelyek nem eredeti Black & Decker kiegészítő készülékek és tartozékok használatából adódnak **amennyiben a szakszerviz bizonyítja, hogy a hiba a fenti okok valamelyikére vezethető vissza.**

- 3) A fogyasztó a kijavítás iránti igényét a forgalmazónál, illetve a jótállási jegyen feltüntetett javítószolgálatnál érvényesítheti.
 - a) Meghosszabbodik a jótállási idő a kijavítási idő azon részével, amely alatt a fogyasztó a terméket nem tudta rendeltetésszerűen használni.
 - b) A jótállási jog érvényesíthetőségének határideje a terméknek vagy jelentősebb részének (motor állórész, forgórész, elektronika) kijavítása vagy kicserélése esetén a kicserélt, kijavított termékre (jelentősebb részére), valamint a kijavítás következményeként jelentkező hiba tekintetében újból kezdődik.
 - c) Ha a fogyasztási cikk a vásárlástól (üzembe helyezéstől) számított három munkanapon belül meghibásodik, a fogyasztó kérheti annak kicserélését feltéve, hogy a meghibásodás a rendeltetésszerű használatot akadályozza. A Stanley Black & Decker Hungary Kft. a hiba létezése, illetve annak megállapítása céljából, hogy a hiba a rendeltetésszerű használatot akadályozza, fenntartja a jogot a hibás termék bevizsgálására.
 - d) Amennyiben a jótállási igény bejelentését követően az igény teljesíthetőségéről azonnal nem nyilatkozunk, úgy három munkanapon belül kell értesítenünk a fogyasztót a reklamáció intézésének módjáról.
 - e) Ha a csere nem lehetséges, műszakilag hasonló készülék kerül felajánlásra, vagy visszafizetésre kerül a vételár.
- 4) A jótállás alapján történő javítás során a forgalmazónak (kereskedőnek) törekednie kell arra, hogy a kijavítást legfeljebb 15 napon belül megfelelő minőségben elvégezze, elvégeztesse.

A jótállás keretében tartozó javítás esetén a forgalmazó, illetve a javítószolgálat a jótállási jegyen köteles feltüntetni:

- a javítási igény bejelentésének és a javításra átvétel időpontját,
- a hiba okát
- a javítás módját
- a termék fogyasztó részére történő visszaadásának időpontját,
- a jótállás – kijavítás időtartamával meghosszabbított – új határidejét.

A termék meghibásodása esetén a fogyasztót az alábbi jogok illetik meg:

Elsősorban - választatása szerint - kijavítást vagy kicserélést követelhet. A csereigény akkor megalapozott, ha a termék a fogyasztónak okozott jelentős kényelmetlenség nélkül, megfelelő minőségben és ésszerű határidőn belül, értékcsökkenés nélkül nem javítható ki, vagy nem kerül kijavításra.

Ha az előírt módon történő kijavításra, illetve kicserélésre vonatkozó kötelezettségének a forgalmazó nem tud eleget tenni, a fogyasztó – választatása szerint – megfelelő árleszállítást igényelhet vagy elállhat a szerződéstől (a hibás áru visszaszolgáltatásával egyidejűleg kérheti a nyugtán vagy számlán feltüntetett bruttó vételár visszatérítését). Jelentéktelen hiba miatt elállásnak nincs helye!

Kérjük, hogy a hiba felfedezését követő legrövidebb időn belül szíveskedjen azt a szervizben vagy a forgalmazónál bejelenteni.

A kijavítást vagy kicserélést – a dolog tulajdonosáigra és a fogyasztó által elvárható rendeltetésére figyelemmel – megfelelő határidőn belül, a fogyasztónak okozott jelentős kényelmetlenség nélkül kell elvégezni. A fogyasztó a kijavítás iránti igényét a jótállási jegyen feltüntetett javítószolgálatnál, illetve a forgalmazó (kereskedő) üzletében érvényesítheti.

Gyártó:	Forgalmazó:
Black & Decker Europe,	Stanley Black & Decker Hungary Kft
210 Bath Road, Slough,	1016. Budapest
Berkshire, SL13YD,	Mészáros u. 58/B
Egyesült Királyság	

Zastosowanie zgodne z przeznaczeniem

Kosiarka żyłkowa Black & Decker jest przeznaczona do koszenia trawy na brzegach trawników i w trudno dostępnych miejscach. Narzędzie to nie jest przystosowane do celów profesjonalnych.

Wskazówki dotyczące bezpieczeństwa

Uwaga! Przy korzystaniu z elektronarzędzi dokładnie przestrzegaj wskazówek zawartych w tej instrukcji i podstawowych przepisów bhp, by zminimalizować ryzyko pożaru, porażenia prądem elektrycznym, doznania urazu ciała i szkód rzeczowych.

Uwaga! Przy korzystaniu z elektronarzędzi dokładnie przestrzegaj reguł bezpieczeństwa. Przeczytaj niniejszą instrukcję dla własnego bezpieczeństwa i pewności oraz osób znajdujących się w pobliżu. Zachowaj tę instrukcję dla przyszłego użytkownika.

- ◆ Przed uruchomieniem kosiarki dokładnie przeczytaj niniejszą instrukcję.
- ◆ W instrukcji tej opisano zastosowanie zgodne z przeznaczeniem. Używanie innych przystawek i akcesoriów niż zalecane w tej instrukcji lub wykonywanie prac niezgodnych z przeznaczeniem narzędzia może doprowadzić do wypadku.
- ◆ Przechowuj niniejszą instrukcję na wypadek, gdyby znów była kiedyś potrzebna.

Zastosowanie kosiarki

Przy korzystaniu z kosiarki cały czas zachowuj ostrożność.

- ◆ Zawsze zakładaj okulary ochronne
- ◆ Zabraniaj używania kosiarki dzieciom ani osobom, które nie zapoznały się z tą instrukcją.
- ◆ Nie dopuszczaj dzieci ani zwierząt do miejsca pracy i pilnuj, by nikt nie dotykał kosiarki ani kabla sieciowego.
- ◆ Gdy kosisz w pobliżu dzieci, zachowuj szczególną ostrożność.
- ◆ Zabrania się używania kosiarki młodocianym i słabym osobom bez nadzoru doświadczonego użytkownika.
- ◆ Kosiarka ta nie jest zabawką.
- ◆ Używaj kosiarki tylko za dnia lub przy bardzo dobrym sztucznym oświetleniu.
- ◆ Nie wystawiaj kosiarki na działanie deszczu. Nie używaj jej też w wilgotnym ani mokrym otoczeniu.
- ◆ Nie zanurzaj kosiarki w wodzie.
- ◆ Nie otwieraj obudowy kosiarki. Nie ma w niej żadnych elementów podlegających konserwacji przez użytkownika.

- ◆ Nie używaj kosiarki w otoczeniu zagrożonym wybuchem, w którym znajdują się palne ciecze, gazy lub pyły.
- ◆ Nigdy nie ciągnij za kabel, by wyjąć wtyczkę z gniazda sieciowego. Grozi to uszkodzeniem wtyczki i kabla.

Bezpieczeństwo innych osób

- ◆ Zabrania się używania tego elektronarzędzia przez dzieci i osoby o ograniczonej sprawności fizycznej, czuciowej lub umysłowej. To samo dotyczy osób niedoświadczonych, chyba że znajdują się pod nadzorem odpowiedzialnego za bezpieczeństwo fachowca.
- ◆ Pilnuj dzieci, by nie bawiły się tym urządzeniem.
- ◆ Zatrzymaj urządzenie, jeśli w pobliżu są inne osoby, szczególnie dzieci lub zwierzęta.

Pozostałe zagrożenia

Przy korzystaniu z kosiarki mogą zaistnieć dodatkowe zagrożenia nieuwzględnione w przepisach bezpieczeństwa. Z reguły zachodzą one w przypadku niewłaściwego lub zbyt długiego używania narzędzia.

Nawet przy przestrzeganiu odnośnych przepisów bezpieczeństwa i stosowaniu wszystkich urządzeń zabezpieczających nadal występują pewne zagrożenia. Zaliczają się do nich:

- ◆ Obrażenia ciała wskutek dotknięcia obracających się/ruchomych elementów.
- ◆ Skaleczenia, jakich można doznać przy wymianie elementów, noży i akcesoriów.
- ◆ Narażenie zdrowia przy dłuższym używaniu elektronarzędzia. W takich sytuacjach rób regularne przerwy w pracy.
- ◆ Pogorszenie słuchu.
- ◆ Upośledzenie zdrowia wskutek wdychania pyłu (np. powstającego podczas obróbki drewna, a zwłaszcza dębu, buku i MDF).

Po użyciu

- ◆ Nieużywaną kosiarkę przechowuj w suchym, niedostępnym dla dzieci miejscu.
- ◆ Dzieci nie powinny mieć dostępu do przechowywanego urządzenia.
- ◆ Gdy kosiarka ma być transportowana w samochodzie, zabezpiecz ją w bagażniku, by nie mogła się przemieścić w razie nagłej zmiany prędkości lub kierunku ruchu pojazdu.

Kontrola i naprawy

- ◆ Odłączaj kosiarkę od sieci zanim rozpoczniesz jej przegląd, czyszczenie, i jeśli jest w użytkowaniu.

- ◆ Przed użyciem sprawdź kosiarkę, czy nie jest uszkodzona, czy jakieś elementy nie są pęknięte i czy jakieś inne usterki nie zakłócają prawidłowej pracy narzędzia.
- ◆ Nie używaj kosiarki, gdy jakaś jej część jest niesprawna.
- ◆ Naprawy lub wymiany wadliwych części zlecaj tylko jednemu z naszych warsztatów serwisowych.
- ◆ Nigdy nie próbuj wyjmować ani wymieniać jakichkolwiek elementów, jeżeli nie przewiduje tego niniejsza instrukcja obsługi.
- ◆ Nie przechodź przez ścieżki lub drogi żwirowe, gdy kosiarka jest włączona.
- ◆ Podczas pracy kosiarki nigdy nie dotykaj żyłki tnącej.
- ◆ Nie odkładaj kosiarki, dopóki żyłka tnąca całkowicie się nie zatrzyma.
- ◆ Stosuj tylko żyłki tnące właściwego rodzaju. Nigdy nie używaj żyłek metalowych ani rybackich.
- ◆ Nie dotykaj noża do przycinania żyłki.
- ◆ Cały czas obserwuj kabel sieciowy i utrzymuj go z dala od żyłki tnącej.
- ◆ Nie zbliżaj rąk ani nóg do żyłki tnącej, zwłaszcza przy załączaniu silnika.

Zastosowanie przedłużacza

Używaj tylko takiego przedłużacza, który został dopuszczony do eksploatacji i wytrzymuje pobór mocy przez elektronarzędzie (patrz: Dane techniczne). Musi on nadawać się do pracy na wolnym powietrzu i być odpowiednio oznakowany. Kabel HO5VV-F o przekroju 1,5 mm² i długości 30 m nie powoduje zauważalnego spadku mocy. Przed zastosowaniem sprawdź przedłużacz, czy nie jest uszkodzony, zużyty i nie wykazuje objawów starzenia. Wadliwy przedłużacz wymień na nowy. Gdy korzystasz z bębna, zawsze całkowicie odwijaj z niego kabel.

Dodatkowe przepisy bezpieczeństwa pracy kosiarek żyłkowych

Uwaga! Po wyłączeniu kosiarki szpula z żyłką przez jakiś czas jeszcze się obraca.

- ◆ Zapoznaj się z elementami obsługi i zasadami prawidłowego użytkowania kosiarki.
- ◆ Przed użyciem sprawdź kabel sieciowy i przedłużacz, czy nie są uszkodzone lub zużyte. W razie uszkodzenia kabla natychmiast odłącz go od sieci. **NIE DOTYKAJ KABLA, DOPÓKI JEST PRZYŁĄCZONY DO SIECI.**
- ◆ Nie używaj kosiarki z uszkodzonym lub zużytym kablem.
- ◆ Dla ochrony stóp zakładaj solidne obuwie na szorstkiej podeszwie lub buty z cholewami.
- ◆ Dla ochrony nóg zakładaj długie spodnie.
- ◆ Przed użyciem kosiarki upewnij się, czy na terenie koszenia nie ma patyków, kamieni, drutów ani innych obcych przedmiotów.
- ◆ Używaj kosiarki, zachowując wyprostowaną pozycję i prowadząc żyłkę tnącą w pobliżu ziemi. Nigdy nie załączaj kosiarki, gdy znajduje się w jakimś innym położeniu.
- ◆ Podczas pracy powoli przemieszczaj kosiarkę. Pamiętaj, że świeżo ścięta trawa jest wilgotna i śliska.
- ◆ Nie używaj kosiarki na stromych stokach. Koś wzdłuż zbocza, a nigdy z góry na dół.

- ◆ Przed użyciem lub w razie uderzenia kosiarki sprawdź, czy nie nastąpiło jakieś uszkodzenie. W razie potrzeby zlec naprawę.
- ◆ Nigdy nie używaj kosiarki z uszkodzonymi lub niezakończonymi osłonami.
- ◆ Uważaj, by się nie skaleczyć o nóż do przycinania żyłki. Po wydłużeniu żyłki ponownie ustaw kosiarkę w normalnej pozycji, zanim ją załączysz.
- ◆ Zawsze sprawdzaj, czy szczeliny wentylacyjne nie są zatkane jakimiś zanieczyszczeniami.
- ◆ Nie używaj kosiarki z uszkodzonym lub zużytym przewodem zasilającym lub przedłużaczem.
- ◆ Trzymaj przedłużacz z dala od żyłki tnącej.

Oznaczenia na elektronarzędziu

Kosiarka ta jest oznaczona następującymi symbolami ostrzegawczymi:



Przed uruchomieniem kosiarki przeczytaj niniejszą instrukcję.



Na czas pracy zakładaj okulary ochronne.



Na czas pracy zakładaj odpowiednie nasłucharki ochronne.



Przed sprawdzeniem kabla zawsze najpierw wyjmij wtyczkę z gniazda sieciowego. Nie używaj kosiarki z uszkodzonym kablem.



Miej na uwadze, że w czasie koszenia mogą być odrzucane jakieś przedmioty. Osoby postronne trzymaj z dala od miejsca pracy.



Nie wystawiaj kosiarki na działanie deszczu ani wilgoci.



Gwarantowany poziom ciśnienia akustycznego zmierzony wg Wytycznych 2000/14/EG.

Bezpieczeństwo elektryczne



Kosiarka jest podwójnie zaizolowana i dlatego żyła uziemiająca nie jest potrzebna. Najpierw zawsze sprawdzaj, czy lokalne napięcie sieciowe odpowiada wartości podanej na tabliczce znamionowej.

- ♦ W razie uszkodzenia kabla sieciowego zleć wymianę producentowi lub autoryzowanemu warsztatowi serwisowemu Black & Decker aby uniknąć ewentualnego niebezpieczeństwa.
- ♦ Zastosowanie wyłącznika bezpieczeństwa (30mA) podwyższy bezpieczeństwo elektryczne.

Opis kosiarki

Kosiarka ta składa się z niektórych lub ze wszystkich wymienionych niżej elementów.

1. Wyłącznik
2. Rękojeść
3. Odciążenie kabla
4. Przyłącze sieciowe
5. Rękojeść dodatkowa
6. Przycisk ustalający
7. Rura
8. Zaczepy do nawijania kabla
9. Szpula z żyłką tnącą HDL
10. Osłona
11. Nóż do obcinania końca żyłki
12. Pokrywa szpuli
13. Żyłka tnąca
14. Prowadnica do krawędzi

Montaż

Uwaga! Przed rozpoczęciem montażu upewnij się, czy kosiarka jest wyłączona, a wtyczka kabla wyjęta z gniazda sieciowego.

Montaż osłony (rys. A i B)

- ♦ Wykręć śrubę (15) z osłony (10).
- ♦ Przyłóż osłonę (10) do kosiarki, tak jak pokazano na rysunku.
- ♦ Wciśnij kołpak aż do zatrzaśnięcia.
- ♦ Zamocuj osłonę śrubą.
- ♦ Mocno zaciśnij śrubę.

Uwaga! Kosiarki używaj tylko wtedy, gdy osłona jest prawidłowo zamontowana.

Mocowanie rękojeści dodatkowej (rys. C)

- ♦ Naciśnij i przytrzymaj przycisk (6) z boku rękojeści.
- ♦ Nasuń rękojeść dodatkową (5) na przycisk (6), aż znajdzie się na swoim miejscu.

Ostrzeżenie! Ząbki na przyciskach muszą wejść w rowki w rękojeści. Sprawdź, czy rękojeść została dobrze zamocowana.

Przestawianie rękojeści dodatkowej (rys. D)

Rękojeść dodatkowa (5) daje się przestawiać, co pozwala na ustawienie jej w najkorzystniejszej dla siebie pozycji.

- ♦ Naciśnij przycisk (6) z lewej strony rękojeści.
- ♦ Obróć rękojeść (5) do żądanej pozycji.
- ♦ Zwolnij przycisk (6).

Ostrzeżenie! Ząbki na przyciskach muszą wejść w rowki w rękojeści. Sprawdź, czy rękojeść została dobrze zamocowana.

Regulacja wysokości kosiarki (rys. E i F)

Za pomocą zintegrowanego mechanizmu teleskopowego można nastawić najdogodniejszą dla siebie wysokość kosiarki. Są przy tym możliwe różne pozycje. By uzyskać odpowiednią wysokość, wykonaj opisane niżej operacje:

- ♦ Poluzuj tuleję zaciskową (16) przez obrócenie jej w prawo.
- ♦ Bez użycia większej siły wyciągnij bądź wsuń rurę (7) w rękojeść na żądaną długość.
- ♦ Gdy rura znajdzie się w odpowiedniej pozycji, mocno dokręć tuleję zaciskową (16) w lewo.

Uwalnianie żyłki tnącej

Fabrycznie na czas transportu żyłka tnąca jest przytwierdzana taśmą klejącą do obudowy szpuli.

- ♦ Ściągnij taśmę klejącą, którą żyłka tnąca jest przytwierdzona do obudowy szpuli (12).

Przechowywanie nie używanej szpuli (rys. G)

Narzędzie dysponuje dwoma systemami przycinania:

- ♦ **AFS:** automatyczne wyciąganie jednej żyłki do lekkiego koszenia i przycinania kantów.
- ♦ **HDL:** wysokowydajny system przycinania podwójną żyłką

Wskazówka: szpula HDL może być stosowana tylko w trybie koszenia

Każdorazowo nieużywana system przycinania może być schowany w uchwycie na szpulę wymienną (tylko GL8033 i GL9035).

- ♦ Skieruj skrzydełka (17) wieczka szpuli w lukę (18) uchwytu na szpulę (8).
- ♦ Dociśnij wieczko do uchwytu szpuli aż zatrzaśnie.

Przyłączanie kosiarki do napięcia sieciowego (rys. H)

- ♦ Wtyczkę odpowiedniego przedłużacza przyłącz do gniazda przyłączeniowego kosiarki (4).
- ♦ Przeprowadź kabel przez odciążenie kabla (3).
- ♦ Włóż wtyczkę kabla do gniazda sieciowego.

Przy korzystaniu z kosiarek kablowych przed włożeniem wtyczki do gniazda wtykowego sprawdź, czy kabel został przeprowadzony przez odciążenie. Przy zastosowaniu urządzenia nawijającego kabel: upewnij się, że kabel jest przymocowany w odciążeniu kabla, zanim włożysz wtyczkę do gniazodka sieciowego

Uwaga! Przedłużacz musi być przystosowany do pracy na wolnym powietrzu.

Zastosowanie

Uwaga! Nie przyspieszaj pracy na siłę. Unikaj przeciążania kosiarki.

Nastawianie na tryb koszenia i koszenie krawędziowe (rys. I i J)

Kosiarka ta może być używana zarówno do koszenia (rys. I), jak i do koszenia wyrównującego przy krawędziach trawników i grządek (rys. J).

Koszenie (rys. I)

Przy koszeniu głowica kosiarki powinna się znajdować w pozycji przedstawionej na rysunku I. W przeciwnym razie:

- ◆ Naciśnij przycisk ustalający (16) w nastawniku wysokości.
- ◆ Obróć rurę (7) w lewo.
- ◆ Zamknij przycisk ustalający (16) nastawnik wysokości, gdy głowica znajdzie się we właściwej pozycji.

Wskazówka: Rura daje się obracać tylko w jednym kierunku.

Wskazówka: Szpula HDL może być stosowana tylko w trybie koszenia.

Koszenie przy krawędziach (rys. J)

Przy koszeniu krawędziowym głowica kosiarki powinna się znajdować w pozycji pokazanej na rysunku J. W przeciwnym razie:

- ◆ Naciśnij przycisk ustalający (16) w nastawniku wysokości.
- ◆ Obróć rurę (7) w lewo.
- ◆ Zamknij przycisk ustalający (16) nastawnik wysokości, gdy głowica znajdzie się we właściwej pozycji.

Wskazówka: Rura daje się obracać tylko w jednym kierunku.

Załączanie i wyłączanie

- ◆ By załączyć kosiarkę, naciśnij wyłącznik (1).
- ◆ By wyłączyć kosiarkę, zwolnij wyłącznik.

Uwaga! Nigdy nie próbuj blokowania włączonego wyłącznika.

Porady, jak osiągnąć najlepsze wyniki pracy

Ogólne zalecenia

- ◆ By osiągnąć najlepsze wyniki pracy, koś tylko suchą trawę.

Koszenie

- ◆ Trzymaj kosiarkę tak, jak pokazano na rysunku K.
- ◆ Prowadź kosiarkę żyłkową, wykonując nią równomierne ruchy wahadłowe w lewo i w prawo.
- ◆ Gdy trawa jest długa, koś ją stopniowo od góry do dołu.
- ◆ Nie koś trawy tuż przy twardych przedmiotach i wrażliwych roślinach.
- ◆ Żyłka tnąca zużywa się szybciej i musi być częściej wymieniana, jeśli prace są prowadzone wzdłuż drogi lub innych twardych i nierównych powierzchni lub przy cięciu grubych chwastów.
- ◆ Gdy kosiarka zaczyn zwalniać, zmniejsz obciążenie.

Krawędzie

Optymalne wyniki cięcia uzyskuje się, gdy rowki na brzegach trawnika mają głębokość przynajmniej 50 mm.

- ◆ Nie używaj kosiarki do tworzenia nowych rowków. Do tego celu najlepiej nadaje się szpadel.
- ◆ Prowadź kosiarkę tak, jak pokazano na rysunku L.
- ◆ By krócej przyciąć trawę, lekko pochyl kosiarkę.

Zakładanie nowej szpuli z żyłką (rys. M i N)

Nowe szpule z żyłką tnącą można nabyć w sklepie z narzędziami firmy Black & Decker (numer kat. A6482). Są też dostępne kompletne kasety z pełną szpulą (numer kat. A6486).

- ◆ Wyjmij wtyczkę kabla z gniazda sieciowego.
- ◆ Ściśnij skrzydełka (17) i zdejmij pokrywę szpuli (21) z obudowy (12) (rys. M).
- ◆ Wyjmij pustą szpulę (22) z obudowy.
- ◆ Pokrywę i obudowę oczyść z brudu i resztek trawy.
- ◆ Odczep koniec jednej z żyłek tnących i przeprowadź go przez oczko (23) (rys. M). Żyłka powinna wystawać z obudowy na długość około 11 cm.

Wskazówka: uważaj aby żyłka nie rozwijała się ze szpuli. Trzymaj ją stale mocno w ręku.

- ◆ Włóż nową szpulę w tuleję wieczka szpuli. Przekręć szpulę lekko, aż znajdzie się ona w prawidłowej pozycji.

- ◆ Skrzydełka pokrywy (17) ustaw odpowiednio względem wycięć (24) w obudowie (12).
- ◆ Wciśnij pokrywę w obudowę aż do zatrzaśnięcia.

Uwaga! Gdy wystająca część żyłki jest dłuższa niż odległość obudowy od noża (11), przytnij ją na odpowiednią długość.

Zastosowanie nowej szpuli HDL

(rys. O i P)

Nową szpulę z żyłka tnącego HDL można zakupić w sklepach specjalistycznych Black & Decker (numer kat. A6489). Przy zastosowaniu nowej szpuli HDL postępuj jak poniżej:

- ◆ Wyciągnij wtyczkę sieciową narzędzia.
- ◆ Ściśnij skrzydełka (17) i zdejmij pokrywę szpuli HDL (9) z obudowy (12).
- ◆ Pokrywę i obudowę szpuli HDL (9) oczyść z brudu i resztek trawy.
- ◆ Usuń zużyty kawałek żyłki z wieczka szpuli HDL (9).
- ◆ Przeprowadź nowy kawałek żyłki (20) przez oczko (27) po obu stronach wieczka szpuli HDL.
- ◆ Ustaw centralny zacisk (28) w przedstawionej pozycji (rys. P).
- ◆ Włóż wieczko szpuli HDL ponownie.

Uwaga! Stosuj wyłącznie żyłki tnące Black & Decker.

Wykrywanie i usuwanie usterek

Gdyby kosiarka przestała prawidłowo działać, przeczytaj poniższe wskazówki. Jeżeli nie uda Ci się usunąć usterek, zwróć się do serwisu firmy Black & Decker.

Uwaga! Przed wykonaniem opisanych niżej czynności wyjmij wtyczkę kabla zasilającego z gniazda sieciowego.

Kosiarka wolno pracuje

- ◆ Sprawdź, czy obudowa szpuli daje się swobodnie obracać. W razie potrzeby dokładnie ją oczyść.
- ◆ Sprawdź, czy odcinek żyłki tnącej wystający z obudowy szpuli nie jest dłuższy niż 11 cm. W razie potrzeby utnij żyłkę tak, by akurat dosięgała do noża.

Nie działa automatyczny mechanizm podający żyłkę

- ◆ Ściśnij skrzydełka i zdejmij pokrywę szpuli z obudowy.
- ◆ Wyciągnij żyłkę tnącą tak, by wystawała z obudowy na 11 cm. Gdy ilość żyłki na szpuli nie jest wystarczająca, załóż nową szpulę zgodnie z powyższym opisem.

- ◆ Skrzydełka pokrywy ustaw odpowiednio względem wycięć w obudowie.
- ◆ Wciśnij pokrywę w obudowę aż do zatrzaśnięcia.

- ◆ Gdy wystająca część żyłki tnącej jest dłuższa niż odległość obudowy szpuli od noża, przytnij żyłkę tak, by akurat do niego dosięgała.

Gdy automatyczny mechanizm podający nadal nie działa lub szpula blokuje się, spróbuj wykonać następujące operacje:

- ◆ Starannie oczyść pokrywę szpuli i samą obudowę.
- ◆ Wyjmij szpulę i sprawdź, czy dźwignia daje się swobodnie poruszać.
- ◆ Wyjmij szpulę i odwiń żyłkę. Jeszcze raz równo nawiń żyłkę tak, jak wyżej opisano. Ponownie włóż szpulę zgodnie z powyższym opisem.

Ochrona środowiska



Selektywna zbiórka odpadów. Wyrubu tego nie wolno wyrzucać do normalnych śmieci z gospodarstw domowych.

Gdy pewnego dnia poczujesz się zmuszony zastąpić wyrób Black & Decker nowym sprzętem lub nie będziesz go już potrzebować, w trosce o ochronę środowiska nie wyrzucaj go do śmieci z gospodarstw domowych, a jedynie oddaj do specjalistycznego zakładu utylizacji odpadów.



Dzięki selektywnej zbiórce zużytych wyrobów i opakowań niektóre materiały mogą być odzyskane i ponownie wykorzystane. W ten sposób chroni się środowisko naturalne i zmniejsza popyt na surowce

Stosuj się do lokalnych przepisów, jeżeli wymagają one oddawania zużytych elektrycznych urządzeń powszechnego użytku do specjalnych punktów zbiorczych lub zobowiązują sprzedawców do przyjmowania ich przy zakupie nowego wyrobu.

Black & Decker chętnie przyjmuje stare, wyprodukowane przez siebie urządzenia i utylizuje je zgodnie z obowiązującymi przepisami. By skorzystać z tej usługi, oddaj zużyty sprzęt do autoryzowanego warsztatu naprawczego, który prowadzi zbiórkę w naszym imieniu.

W instrukcji tej zamieszczono adresy przedstawicielstw handlowych firmy Black & Decker, które udzielają informacji o warsztatach serwisowych. Ich listę znajdziesz także w Internecie pod adresem: www.2helpU.com.

Dane techniczne

		GL7033 (typ 1)	GL8023 (typ 1)	GL9035 (typ 1)
Napięcie	V _{AC}	230	230	230
Pobór mocy	W	700	800	900
Prędkość obrotowa				
biegu jałowego	obr/min	7000	7000	7000
Masa	kg	3,2	3,2	3,2

Poziom ciśnienia akustycznego :

L_{PA} (ciśnienie akustyczne) 80dB(A), niepewność pomiaru (K) 2dB(A), L_{WA} (moc akustyczna) 94dB(A), niepewność pomiaru (K) 2dB(A)

Drgania całkowite (suma wektorowa trzech składowych kierunkowych) według EN 786:

Całkowita wartość drgań (a_v)= 8,2 m/s²,
niepewność pomiaru (K) = 1,5 m/s²

Deklaracja zgodności WE

DYREKTYWA MASZYNOWA
DYREKTYWA HAŁASOWA ZEWNĘTRZNA



Black & Decker deklaruje niniejszym, że wyroby nr kat. GL7033, GL8033, GL9035 opisane w „Danych technicznych” są zgodne z 2006/42/WE, EN 60335-1, EN 60335-2-91

2000/14/WE, kosiarka żyłkowa, L ≤ 50 cm

Aneks VIII

KEMA Quality B.V., Utrechtseweg 310, 6802 ED Arnhem, Holandia

Nr ident. notyfikowanej jednostki: 0344

Poziom mocy akustycznej wg 2000/14/WE (Artykuł 12, załącznik III, L ≤ 50 cm):

L_{WA} (zmierzony poziom mocy akustycznej) 94 dB(A), niepewność pomiaru (K) = 2 dB(A)

L_{WA} (gwarantowany poziom mocy akustycznej) 96 dB(A), niepewność pomiaru (K) = 2 dB(A)

Wyroby te są zgodne także z dyrektywą 2004/108/WE i 2011/65/UE.

By uzyskać więcej informacji, należy zwrócić się pod adres podany poniżej lub wyszczególniony na końcu instrukcji obsługi. Niżej podpisany ponosi odpowiedzialność za przygotowanie dokumentacji technicznej i składa to oświadczenie w imieniu Black & Decker.

Kevin Hewitt
Wiceprezydent
Global Engineering
Black & Decker Europe,
210 Bath Road, Slough
Berkshire, SL1 3YD
Wielka Brytania
17-10-2012

Black & Decker

WARUNKI GWARANCJI:

Produkty marki Black & Decker reprezentują bardzo wysoką jakość, dlatego oferujemy dla nich korzystne warunki gwarancyjne. Niniejsze warunki gwarancji nie pomniejszają praw klienta wynikających z polskich regulacji ustawowych lecz są ich uzupełnieniem. Gwarancja jest ważna na terenie Rzeczypospolitej Polskiej.

Black & Decker gwarantuje sprawne działanie produktu w przypadku postępowania zgodnego z warunkami techniczno-eksploatacyjnymi opisanymi w instrukcji obsługi.

Niniejszą gwarancją nie jest objęte dodatkowe wyposażenie, jeżeli nie została do niego dołączona oddzielna karta gwarancyjna oraz elementy wyrobu podlegające naturalnemu zużyciu.

1. Niniejszą gwarancją objęte są usterki produktu spowodowane wadami produkcyjnymi i wadami materiałowymi.
2. Niniejsza gwarancja jest ważna po przedstawieniu przez Klienta w Centralnym Serwisie Gwarancyjnym reklamowanego produktu oraz łącznie:
 - a) poprawnie wypełnionej karty gwarancyjnej;
 - b) ważnego paragonu zakupu z datą sprzedaży taką, jak w karcie gwarancyjnej lub kopii faktury.
3. Gwarancja obejmuje bezpłatną naprawę urządzenia (wraz z bezpłatną wymianą uszkodzonych części) w okresie 24 miesięcy od daty zakupu.
4. Produkt reklamowany musi być:
 - a) dostarczony bezpośrednio do Centralnego Serwisu Gwarancyjnego wraz z poprawnie wypełnioną Kartą Gwarancyjną i ważnym paragonem zakupu (lub kopią faktury) oraz szczegółowym opisem uszkodzenia, lub
 - b) przesłany do Centralnego Serwisu Gwarancyjnego za pośrednictwem punktu sprzedaży wraz z dokumentami wymienionymi powyżej.
5. Koszty wysyłki do Centralnego Serwisu Gwarancyjnego ponosi Serwis. Wszelkie koszty związane z zapewnieniem bezpiecznego opakowania, ubezpieczeniem i innym ryzykiem ponosi Klient. W przypadku odrzucenia roszczenia gwarancyjnego, produkt jest odsyłany do miejsca nadania na koszt adresata.
6. Usterki ujawnione w okresie gwarancji będą usunięte przez Centralny Serwis Gwarancyjny w terminie:
 - a) 14 dni roboczych od daty przyjęcia produktu przez Centralny Serwis Gwarancyjny;
- b) termin usunięcia wady (punkt 6a) może być wydłużony o czas niezbędny do importu niezbędnych części zamiennych.
7. Klient otrzyma nowy sprzęt, jeżeli:
 - a) Centralny Serwis Gwarancyjny stwierdzi na piśmie, że usunięcie wady jest niemożliwe;
 - b) produkt nie podlega naprawie, tylko wymianie bez dokonywania naprawy.
8. O ile taki sam produkt jest nieosiągalny, może być wydany nowy produkt o nie gorszych parametrach.
9. Decyzja Centralnego Serwisu Gwarancyjnego odnośnie zasadności zgłaszanych usterek jest decyzją ostateczną.
10. Gwarancją nie są objęte:
 - a) wadliwe działanie lub uszkodzenia spowodowane niewłaściwym użytkowaniem lub używaniem produktu niezgodnie z przeznaczeniem, instrukcją obsługi lub przepisami bezpieczeństwa. W szczególności profesjonalne użytkowanie amatorskich narzędzi Black & Decker powoduje utratę gwarancji;
 - b) wadliwe działanie lub uszkodzenia spowodowane przeciążaniem narzędzia, które prowadzi do uszkodzeń silnika, przekładni lub innych elementów a także stosowaniem osprzętu innego niż zalecany przez Black & Decker;
 - c) mechaniczne uszkodzenia produktu i wywołane nimi wady;
 - d) wadliwe działanie lub uszkodzenia na skutek działania pożaru, powodzi, czy też innych klęsk żywiołowych, nieprzewidzianych wypadków, korozji, normalnego zużycia w eksploatacji czy też innych czynników zewnętrznych;
 - e) produkty, w których naruszone zostały plomby gwarancyjne lub, które były naprawiane poza Centralnym Serwisem Gwarancyjnym lub były przerabiane w jakikolwiek sposób;
 - f) osprzęt eksploatacyjny dołączony do urządzenia oraz elementy ulegające naturalnemu zużyciu.
11. Centralny Serwis Gwarancyjny, firmy handlowe, które sprzedały produkt, nie udzielają uprawnień ani gwarancji innych niż określone w karcie gwarancyjnej. W szczególności nie obejmują prawa klienta do domagania się zwrotu utraconych zysków w związku z uszkodzeniem produktu.
12. Gwarancja nie wyłącza, nie ogranicza ani nie zawiesza uprawnień kupującego wynikających z niezgodności towaru z umową.

Centralny Serwis Gwarancyjny ERPATECH

ul. Bakaliowa 26, 05-080 Mościska

tel.: (22) 862-08-08, (22) 431-05-05

faks: (22) 862-08-09

Použitie výrobku

Vaša strunová kosačka Black & Decker je určená na kosenie okrajov trávnikov a na kosenie trávy na zle prístupných miestach. Tento výrobok je určený iba na spotrebiteľské použitie.

Bezpečnostné pokyny

Varovanie! Pri použití elektrického náradia napájaného káblom by sa mali vždy dodržiavať základné bezpečnostné pokyny, vrátane nasledujúcich, aby ste znížili riziko vzniku požiaru, riziko úrazu elektrickým prúdom alebo iného poranenia a materiálnych škôd.

Varovanie! Pri použití tohto stroja sa musia dodržiavať bezpečnostné predpisy. S ohľadom na Vašu vlastnú bezpečnosť a na bezpečnosť okolitých osôb sa pred obsluhou kosačky zoznámte s týmito pokynmi. Tieto pokyny uschovajte na bezpečnom mieste pre budúce použitie.

- ♦ Pred použitím tohto výrobku si riadne preštudujte celý návod.
- ♦ V tomto návode je opísané odporúčané použitie tohto náradia. Použitie iného príslušenstva alebo prídavného zariadenia a vykonávanie iných pracovných operácií, než je odporúčané týmto návodom, môže spôsobiť poranenie obsluhy.
- ♦ Uschovajte tento návod na prípadné ďalšie použitie.

Použitie výrobku

Pri použití tohto výrobku buďte vždy opatrní.

- ♦ Vždy používajte ochranné okuliare alebo inú vhodnú ochranu zraku.
- ♦ Nikdy nedovoľte, aby s týmto výrobkom pracovali deti alebo osoby, ktoré nie sú oboznámené s týmito pokynmi.
- ♦ Nedovoľte deťom, ostatným osobám alebo zvieratám, aby sa dostali do blízkosti pracovného priestoru a aby sa dotýkali náradia alebo prívodného kábla.
- ♦ Ak sa toto náradie používa v blízkosti detí, vyžaduje sa prísny dohľad.
- ♦ Toto náradie nie je určené na to, aby ho používala nedospelá alebo neskúsená osoba bez dozoru.
- ♦ Tento výrobok sa nesmie použiť ako hračka.
- ♦ Toto náradie používajte iba za denného svetla alebo pri dobrom umelom osvetlení.
- ♦ Používajte toto náradie iba v suchom prostredí. Zabráňte tomu, aby sa toto náradie dostalo do vlhkého prostredia.
- ♦ Neponárajte toto náradie do vody.
- ♦ Nepokúšajte sa toto náradie demontovať. Vnútri prístroja sa nenachádzajú žiadne diely, ktoré môžu užívatelia opraviť sami.

- ♦ Nepoužívajte toto náradie v prostrediach s výbušnou atmosférou, v ktorých sa vyskytujú horľavé kvapaliny, plyny alebo prachové zmesi.
- ♦ Ak chcete znížiť riziko poškodenia zástrčky a prívodného kábla, nikdy neťahajte za kábel, aby ste vytiahli zástrčku zo zásuvky.

Bezpečnosť ostatných osôb

- ♦ Tento výrobok nie je určený na použitie osobami (vrátane detí) so zníženými fyzickými, zmyslovými alebo duševnými schopnosťami, alebo s nedostatkom skúseností a znalostí, pokiaľ týmto osobám nebol stanovený dohľad, alebo pokiaľ im neboli poskytnuté inštrukcie týkajúce sa použitia výrobku osobou zodpovednou za ich bezpečnosť.
- ♦ Deti musia byť pod dozorom, aby sa s náradím nehrali.
- ♦ Prestaňte používať toto náradie, ak sa v jeho blízkosti nachádzajú ľudia, obzvlášť deti alebo domáce zvieratá.

Zvyškové riziká

Ak sa náradie používa iným spôsobom, než je uvedené v priložených bezpečnostných varovaniach, môžu sa objaviť dodatočné zvyškové riziká. Tieto riziká môžu vzniknúť v dôsledku nesprávneho použitia, dlhodobého použitia atď.

Napriek tomu, že sa dodržiavajú príslušné bezpečnostné predpisy a používajú sa bezpečnostné zariadenia, určité zvyškové riziká sa nemôžu vylúčiť. Tieto riziká sú nasledujúce:

- ♦ Zranenia spôsobené kontaktom s akoukoľvek rotujúcou alebo pohybujúcou sa časťou.
- ♦ Zranenia spôsobené pri výmene dielcov, pracovného nástroja alebo príslušenstva.
- ♦ Zranenia spôsobené dlhodobým použitím náradia. Ak používate akékoľvek náradie dlhší čas, zaistite, aby sa robili pravidelné prestávky.
- ♦ Poškodenie sluchu.
- ♦ Zdravotné riziká spôsobené vdychovaním prachu vytváraného pri použití náradia (príklad: práca s drevom, najmä s dubovým, bukovým a MDF).

Po použití

- ♦ Ak sa toto náradie nepoužíva, malo by byť uložené na suchom a dobre odvetrávanom mieste, mimo dosahu detí.
- ♦ K uloženému náradiu nesmú mať prístup deti.
- ♦ Ak je náradie uložené alebo prepravované vo vozidle, malo by byť umiestnené v kufrí alebo zaistené tak, aby bolo zabránené jeho pohybu pri náhlych zmenách rýchlosti alebo smeru jazdy.

Kontroly a opravy

- ♦ Ak sa toto náradie používa, pred vykonávaním kontroly, čistením alebo akejkolvek práce na tomto náradí, odpojte ho od elektrickej siete.
- ♦ Pred použitím skontrolujte, či sa na výrobku nevyskytujú žiadne poškodené alebo chybné časti. Skontrolujte, či nie sú jeho časti rozbité a či nie sú poškodené vypínače alebo iné diely, ktoré by mohli ovplyvniť jeho prevádzku.
- ♦ Nepoužívajte toto náradie, ak je akákoľvek jeho časť poškodená.
- ♦ Poškodené a zničené diely nechajte opraviť alebo vymeniť v autorizovanom servisnom stredisku.
- ♦ Nikdy sa nepokúšajte demontovať alebo vymeniť iné diely než tie, ktoré sú uvedené v tomto návode.

Použitie predlžovacieho kábla

Vždy používajte schválený typ predlžovacieho kábla, ktorý je vhodný pre príkon tohto náradia (pozrite technické údaje). Predlžovací kábel musí byť vhodný na vonkajšie použitie a musí byť tiež tak označený. Môže sa použiť predlžovací kábel HO5V V-F s dĺžkou až 30 m a s prierezom vodiča 1,5 mm² bez toho, aby dochádzalo k výkonovým stratám pri prevádzke náradia. Pred použitím predlžovací kábel riadne prezrite, či nie je poškodený alebo opotrebovaný. Ak je tento kábel poškodený, vymeňte ho. V prípade použitia zvinovacieho kábla odviňte vždy celú dĺžku kábla.

Doplňujúce bezpečnostné pokyny pre strunové kosačky

Varovanie! Po vypnutí motora sa bude struna kosačky ešte chvíľu otáčať.

- ♦ Budte oboznámení s obsluhou a správnym používaním náradia.
- ♦ Pred použitím predlžovací kábel riadne prezrite, či nie je poškodený alebo opotrebovaný. Ak dôjde počas práce k poškodeniu prívodného kábla, okamžite náradie vypnite a odpojte prívodný kábel od elektrickej zásuvky. **NEDOTÝKAJTE SA PRÍVODNÉHO KÁBLA PRED JEHO ODPOJENÍM OD ZÁSUVKY.**
- ♦ Pokiaľ je prívodný kábel poškodený alebo opotrebovaný, náradie nepoužívajte.
- ♦ Používajte pevnú obuv alebo ponožky, aby bola zaistená ochrana Vašich nôh.
- ♦ Nohy si chráňte dlhými nohavicami.
- ♦ Pred použitím náradie skontrolujte, či je priestor, v ktorom budete kosiť zbavený vetvičiek, kameňov, drôtov a akýchkoľvek iných prekážok.

- ♦ Používajte náradie iba vo zvislej polohe so sekacou strunou tesne nad zemou. Nikdy nezapínajte náradie v inej polohe.
- ♦ Pri práci s náradím sa pohybujte pomaly. Uvedomte si, že je čerstvo nakosená tráva klzká a vlhká.
- ♦ Nepracujte na príkrych svahoch. Na svahoch pracujte po vrstevniciach, nikdy nie smerom hore a dole.
- ♦ Ak je náradie v chode, nikdy neprechádzajte cez štrkové chodníky alebo cesty.
- ♦ Nikdy sa nedotýkajte struny, pokiaľ je zariadenie v chode.
- ♦ Nekladte zariadenie na zem, kým sa struna celkom nezastaví.
- ♦ Používajte iba zodpovedajúci typ struny. Nikdy nepoužívajte kovové rezacie lanko alebo rybársky vlasec.
- ♦ Dávajte pozor, aby ste sa nedotkli sekacej struny.
- ♦ Dávajte pozor, aby sa kábel nedostal do oblasti struny. Stále sledujte polohu prívodného kábla.
- ♦ Ruky a nohy držte trvale mimo dosahu struny, a to najmä pri zapínaní motora.
- ♦ Pred použitím náradia a po každom náraze náradie skontrolujte, či nedošlo k jeho poškodeniu a či nie je nutné vykonať opravu.
- ♦ Nikdy nepoužívajte náradie s poškodenými krytmi alebo náradie bez riadne nasadených krytov.
- ♦ Dávajte pozor, aby ste sa nezranili o zariadenie, ktoré upravuje dĺžku struny. Po vysunutí novej struny náradie pred zapnutím vždy nastavte do jeho obvyklej pracovnej polohy.
- ♦ Zaisťte, aby boli vetracie drážky na náradí stále čisté a zbavené nečistôt.
- ♦ Pokiaľ je prívodný napájací kábel poškodený alebo opotrebovaný, strunovú kosačku nepoužívajte.
- ♦ Dbajte na to, aby sa prívodný kábel nedostal do blízkosti struny.

Štítky na náradí

Na zariadení je možné nájsť nasledujúce varovné symboly:



Pred začatím práce si pozorne preštudujte tento návod.



Pri práci s týmto náradím používajte ochranné okuliare.



Pri práci s týmto náradím používajte ochranu sluchu.

SLOVENČINA



Pred kontrolou poškodeného prívodného kábla vždy odpojte zástrčku kábla od sieťovej zásuvky. Nepoužívajte túto kosačku, ak je poškodený jej prívodný kábel.



Dávajte pozor na odlietajúce úlomky. Udržujte prívodný kábel mimo dosahu reznej struny.



Nevystavujte náradie dažďu alebo prostrediu s vysokou vlhkosťou.



Smernica 2000/14/EC zaručuje hodnotu akustického výkonu.

Elektrická bezpečnosť



Toto náradie je vybavené dvojitou izoláciou. Preto nie je nutné použitie uzemňovacieho vodiča. Vždy skontrolujte, či napájacie napätie zodpovedá napätiu na výkonovom štítiku.

- ♦ Ak je poškodený prívodný kábel, musí byť vymenený výrobcom alebo v autorizovanom servise Black & Decker, aby sa zabránilo možným rizikám.
- ♦ Elektrická bezpečnosť môže byť ďalej zvýšená použitím prúdového chrániča (RCD) s vysokou citlivosťou 30 mA.

Popis

Toto náradie sa skladá z niektorých alebo so všetkých nasledujúcich častí.

1. Hlavný vypínač
2. Rukoväť
3. Držiak kábla
4. Prívod napájania
5. Pomocná rukoväť
6. Nastavovacie tlačidlo
7. Trubica
8. Uloženie náhradnej cievky
9. Kryt HDL
10. Ochranný kryt
11. Odrezávací nôž struny
12. Puzdro cievky
13. Struna
14. Vodiace koliesko

Zostavenie

Varovanie! Pred montážou sa uistite, či je náradie vypnuté a či je prívodný kábel odpojený od zásuvky.

Nasadenie ochranného krytu (obr. A a B)

- ♦ Z ochranného krytu (10) odskrutkujte skrutku (15).

- ♦ Nasadte kryt (10) na náradie podľa postupu uvedenom na obrázku.
 - ♦ Kryt riadne pritlačte, aby došlo k jeho riadnemu upevneniu.
 - ♦ Ochranný kryt zaistíte skrutkou.
 - ♦ Dotiahnite skrutku.
- Varovanie!** Nikdy nepoužívajte náradie bez riadne nasadeného ochranného krytu.

Montáž pomocnej rukoväti (obr. C)

- ♦ Stlačte a držte nastavovacie tlačidlo (6) na bočnej strane rukoväti.
- ♦ Nasuňte pomocnú rukoväť (5) na určené miesto cez nastavovacie tlačidlo (6).

Varovanie! Uistite sa, či výstupky na tlačidle lícujú s výrezmi v rukoväti a či je rukoväť zaistená.

Úprava polohy pomocnej rukoväti (obr. D)

Pomocná rukoväť (5) sa môže nastaviť tak, aby zaručovala optimálne vyváženie a pohodlie.

- ♦ Stlačte nastavovacie tlačidlo (6) na ľavej strane rukoväti.
- ♦ Otočte pomocnú rukoväť (5) do požadovanej polohy.
- ♦ Uvoľnite nastavovacie tlačidlo (6).

Varovanie! Uistite sa, či výstupky na tlačidle lícujú s výrezmi v rukoväti a či je rukoväť zaistená.

Nastavenie dĺžky náradia (obr. E a F)

Toto náradie je vybavené teleskopickým mechanizmom, ktorý Vám umožňuje podľa potreby si upraviť jeho dĺžku. Dĺžka môže byť nastavená ľubovoľne. Dĺžku upravíte nasledujúcim postupom:

- ♦ Uvoľnite poistnú svorku (16) nastavenia dĺžky.
- ♦ Požadovanú dĺžku upravte posunutím trubice (7) smerom dovnútra alebo von.
- ♦ Zaistíte poistnú svorku (16) nastavenia dĺžky.

Uvoľnenie žacej struny

Počas prepravy je struna k cievke prichytená páskou.

- ♦ Odstráňte pásku, ktorou je prichytená struna k krytu cievky (12).

Uloženie nepoužívanej cievky (obr. G)

Náradie má dva systémy kosenia:

- ♦ **AFS:** Automatický posuv jednej struny pre nenáročné práce a kosenie okrajov trávnikov.
- ♦ **HDL:** Systém pre náročné kosenie viac narastených trávnikov.

Poznámka: Cievka HDL sa môže použiť iba pre režim kosenia.

Cievka systému kosenia, ktorý sa nepoužíva, môže byť uložená v úložnom priestore pre náhradnú cievku (iba modely GL8033 a GL9035).

- ♦ Zarovnajite výstupky (17) na kryté cievky s výrezní (18) na úložnom puzdre (8).
- ♦ Zatláčte kryt do úložného puzdra cievky tak, aby došlo k jeho riadnemu usadeniu.

Pripojenie náradia k elektrickej sieti (obr. H)

- ♦ Pripojte koncovku vhodného predlžovacieho kábla k prívodu napájania (4).
- ♦ Zaveste prívodný kábel na držiak kábla (3).
- ♦ Siet'ovú zástrčku kábla zasuňte do sieťovej zásuvky.

Pre vedenie kábla: Pred pripojením zástrčky k elektrickej sieti sa uistite, či je kábel vedený držiakom kábla.

Varovanie! Predlžovací kábel musí byť vhodný na vonkajšie použitie.

Použitie

Varovanie! Nechajte náradie pracovať jeho vlastným tempom. Zamedzte preťažovaniu náradia.

Nastavenie náradia do režimu kosenia alebo do režimu kosenia krajov trávnik (obr. I a J)

Toto náradie je možné prevádzkovať v režime kosenia, ako je znázornené na obr. I alebo v režime kosenia krajov trávnik, na odstránenie prerastenej trávy pri okrají trávnikov a kvetinových záhonov, ako je znázornené na obr. J.

Režim kosenia (obr. I)

Pri kosení by mala byť hlava kosačky v polohe, ktorá je uvedená na obr. I. Ak to tak nie je:

- ♦ Uvoľnite poistnú svorku (16) nastavenia dĺžky.
- ♦ Otáčajte trubicou (7) v smere pohybu hodinových ručičiek.
- ♦ Akonáhle bude hlava kosačky v správnej polohe, zaistíte poistnú svorku (16) pre nastavenie dĺžky.

Poznámka: Trubicou je možné otáčať iba jedným smerom.

Poznámka: Cievka HDL sa môže použiť iba pre režim kosenia.

Režim kosenia okrajov trávnik (obr. J)

Pri zrezávaní okrajov trávnikov by mala byť hlava kosačky v polohe, ktorá je uvedená na obr. J. Ak to tak nie je:

- ♦ Uvoľnite poistnú svorku (16) nastavenia dĺžky.
- ♦ Otáčajte trubicou (7) proti smeru pohybu hodinových ručičiek.
- ♦ Akonáhle bude hlava kosačky v správnej polohe, zaistíte poistnú svorku (16) pre nastavenie dĺžky.

Poznámka: Trubicou je možné otáčať iba jedným smerom.

Zapnutie a vypnutie

- ♦ Ak chcete náradie zapnúť, stlačte hlavný vypínač (1).
- ♦ Ak chcete náradie vypnúť, uvoľnite hlavný vypínač.

Varovanie! Nikdy sa nepokúšajte zaistiť vypínač v zapnutej polohe.

Rady na optimálne použitie

Všeobecné

- ♦ Ak chcete dosiahnuť optimálne výsledky, koste iba suchú trávu.

Kosenie trávnatých plôch

- ♦ Náradie uchopte tak, ako je znázornené na obr. K.
- ♦ Miernie pohybujte kosačkou z boka na bok.
- ♦ Ak kosíte vysokú trávu, koste postupne smerom zhora. Koste trávu po malých častiach.
- ♦ Udržujte náradie v bezpečnej vzdialenosti od tvrdých predmetov a chúlolistivých rastlín.
- ♦ Ak budete kosiť pozdĺž chodníkov alebo pozdĺž iných drsných povrchov alebo ak budete kosiť hustejšie porasty, opotrebovanie žacej struny bude rýchlejšie a bude nutné ju častejšie posúvať.
- ♦ Ak náradie spomalí chod, znížte jeho zaťaženie.

Kosenie okrajov trávnikov

Optimálne výsledky pri kosení okrajov trávnikov sa dosiahne na okrajoch, ktoré sú hlbšie než 50 mm.

- ♦ Nepoužívajte toto náradie na vytváranie hrán. Na vytváranie hrán používajte rycie náradie.
- ♦ Veďte náradie pomocou vodiaceho kolieska, ako je uvedené na obr. L.
- ♦ Pri kosení tesne nad zemou náradie zľahka nakloňte.

Upevnenie novej cievky so strunou (obr. M a N)

Náhradné cievky so strunou získate u autorizovaného predajcu Black & Decker (kat. č. A6482). K dispozícii sú tiež balenia, ktoré obsahujú 3 cievky so strunou (kat. č. A6486).

- ♦ Odpojte prívodný kábel.
- ♦ Držte stlačené výstupky (17) a vyberte z puzdra (12) kryt cievky (21) (obr. M).
- ♦ Z krytu cievky vyberte prázdnu cievku (22).
- ♦ Odstráňte z krytu cievky a z puzdra všetky nečistoty a zvyšky trávy.
- ♦ Uvoľnite koniec žacej struny a prevlečte strunu otvorom (23) (obr. M). Struna by mala vyčnievať približne 11 cm z krytu cievky.

Poznámka: Dávajte pozor, aby nedošlo k rozmotaniu struny na cievke. Stále ju držte pevne jednou rukou.

- ♦ Vezmite novú cievku a nasuňte ju na výčnelok na kryte cievky. Ľahko cievku pootočte, aby došlo k jej riadnemu usadeniu.
- ♦ Zarovnajzte výstupky (17) na kryte cievky s výrezmi (24) na puzdre (12).
- ♦ Zatlacíte kryt na puzdro cievky tak, aby došlo k jeho riadnemu usadeniu.

Varovanie! Ak prečnieva struna cez odrezávací nôž (11), skráťte ju tak, aby sa tohto noža iba dotýkala.

Upevnenie novej struny pre náročné kosenie (obr. O a P)

K dispozícii u autorizovaných predajcov Black & Decker sú balenia po 10-tich kusoch strún pre náročné kosenie (kat. č. A6489). Pri upevňovaní novej struny postupujte nasledovne:

- ♦ Odpojte prírodný kábel.
- ♦ Držte stlačené výstupky (17) a vyberte z puzdra (12) kryt HDL (9).
- ♦ Odstráňte z krytu HDL (9) a z puzdra všetky nečistoty a zvyšky trávy.
- ♦ Odstráňte z krytu HDL (9) zvyšky pôvodnej struny.
- ♦ Z jednej alebo druhej strany krytu HDL prevlečte cez otvory (27) novú strunu (20).
- ♦ Umiestnite spevnenú centrálnu časť struny (28) do označenej polohy (obr. P).
- ♦ Nasadíte späť kryt HDL.

Varovanie! Používajte iba vhodnú strunu Black & Decker.

Výmena sieťovej zástrčky (iba pre Veľkú Britániu a Írsko)

Ak budete inštalovať novú zástrčku prírodného kábla:

- ♦ Zaisťte ekologické odstránenie starej zástrčky.
- ♦ Pripojte hnedý vodič k svorke pod napätím na novej zástrčke.
- ♦ Modrý vodič pripojte k nulovej svorke.

Varovanie! K uzemňovacej svorke nesmie byť pripojený žiadny vodič. Dodržujte montážne pokyny dodávané s kvalitnými zástrčkami. Odporúčaná poistka: 5 A.

Riešenie problémov

Ak sa Vám zdá, že náradie nepracuje správne, postupujte podľa nižšie uvedených pokynov. Ak nebude porucha odstránená, spojte sa s Vaším servisným zástupcom Black & Decker.

Varovanie! Pred tým, ako budete pokračovať, odpojte náradie od elektrickej siete.

Chod náradia je pomalý

- ♦ Skontrolujte, či sa môže voľne otáčať puzdro cievky. Ak je to nutné, starostlivo ho očistite.
- ♦ Skontrolujte, či rezná struna nevyčnieva viac ako 11 cm z puzdra cievky. Ak áno, odrežte ju tak, aby zasahovala len k ostriu struny.

Automatický posuv struny nepracuje

- ♦ Držte stlačené výstupky na kryte cievky a odoberte z puzdra kryt cievky.
- ♦ Povyťahnite strunu tak, aby vyčnievala z puzdra cievky zhruba 11 cm. Pokiaľ už nie je dostatočujúca dĺžka struny k dispozícii, vložte podľa vyššie uvedených pokynov do náradia novú cievku so strunou.
- ♦ Zarovnajzte výstupky na uzávere cievky s výrezmi na puzdre.
- ♦ Zatlacíte kryt na puzdro cievky tak, aby došlo k jeho riadnemu usadeniu.
- ♦ Ak prečnieva struna cez odrezávací nôž, skráťte ju tak, aby sa tohto noža iba dotýkala.

Ak automatický posuv struny stále nepracuje alebo ak je cievka zablokovaná, skúste nasledujúce:

- ♦ Starostlivo očistite puzdro a uzáver cievky.
- ♦ Vyberte cievku a skontrolujte, či sa páčka môže voľne pohybovať.
- ♦ Vyberte cievku a odviňte celú dĺžku struny. Potom vykonajte podľa vyššie uvedeného postupu jej správne navinutie na cievku. Cievku uložte do náradia podľa vyššie uvedeného postupu.

Ochrana životného prostredia



Triedte odpad. Tento výrobok sa nesmie likvidovať v bežnom domovom odpade.

Ak nebudete výrobok Black & Decker ďalej používať alebo ak si ho želáte nahradiť novým, nelikvidujte ho spolu s bežným komunálnym odpadom. Zaisťte likvidáciu tohto výrobku v triedenom odpade.



Triedený odpad umožňuje recykláciu a opätovné využitie použitých výrobkov a obalových materiálov. Opätovné použitie recyklovaných materiálov pomáha chrániť životné prostredie pred znečistením a znižuje spotrebu surovín.

Pri kúpe nových výrobkov Vám predajne, miestne zberne odpadov alebo recyklačné stanice poskytnú informácie o správnej likvidácii elektroodpadov z domácnosti.

Spoločnosť Black & Decker poskytuje službu zberu a recyklácie výrobkov Black & Decker po skončení ich prevádzkovej životnosti. Ak chcete získať výhody

tejto služby, odovzdajte, prosím, Váš výrobok ktoré-mukoľvek autorizovanému zástupcovi servisu, ktorý narádnie odoberie a zaistí jeho recykláciu.

Miesto najbližšieho autorizovaného servisu Black & Decker nájdete na príslušnej adrese uvedenej v tomto návode. Zoznam autorizovaných servisov Black & Decker a podrobnosti o popredajnom servise nájdete aj na internetovej adrese: www.2helpU.com.

Technické údaje

	GL7033 (Typ 1)	GL8033 (Typ 1)	GL9035 (Typ 1)
Napájacie napätie	V 230	230	230
Príkon	W 700	800	900
Otáčky naprázdno	min ⁻¹ 7000	7000	7000
Hmotnosť	kg 3,2	3,2	3,2

Hodnota akustického tlaku

Akustický tlak (L_{pA}) 80 dB(A), odchýlka (K) 2 dB(A),
Akustický výkon (L_{WA}) 94 dB(A), odchýlka (K) 2 dB(A)

Celková úroveň vibrácií (priestorový vektorový súčet) podľa normy EN 786:

Hodnota vibrácií (a_v) 8,2 m/s², odchýlka (K) 1,5 m/s²

ES Vyhlásenie o zhode v rámci EÚ

SMERNICA PRE STROJOVÉ ZARIADENIA
NARIADENIA TÝKAJÚCE SA VONKAJŠIEHO
HLUKU



GL7033/GL8033/GL9035

Spoločnosť Black & Decker vyhlasuje, že tieto produkty popisované v technických údajoch spĺňajú požiadavky nasledujúcich noriem: 2006/42/EC, EN 60335-1, EN 60335-2-91

2000/14/EC, kosačka trávy L ≤ 50 cm, príloha VIII
KEMA Quality B.V., Utrechtseweg 310, 6802 ED
Arnhem, The Netherlands
Úradne stanovený orgán ID č.: 0344

Hladina akustického výkonu podľa normy 2000/14/EC

(Článok 12, príloha III, L ≤ 50 cm):

L_{WA} (meraný akustický výkon) 94 dB(A)

odchýlka (K) = 2 dB(A)

L_{WA} (zaručená hodnota akustického výkonu) 96 dB(A)

odchýlka (K) = 2 dB(A)

Tieto výrobky spĺňajú tiež požiadavky smerníc 2004/108/EC a 2011/65/EU.

Ak chcete získať ďalšie informácie, kontaktujte, prosím, spoločnosť Black & Decker na tejto adrese alebo na adresách, ktoré sú uvedené na konci tohto návodu. Nižšie podpísaná osoba je zodpovedná za zostavenie technických údajov a vydáva toto vyhlásenie v zastúpení spoločnosti Black & Decker.

Kevin Hewitt
Viceprezident
pre spotrebiteľskú techniku
Black & Decker Europe,
210 Bath Road, Slough,
Berkshire, SL1 3YD
United Kingdom
17-10-2012

Záruka

Spoločnosť Black & Decker je presvedčená o kvalite svojich výrobkov a ponúka mimoriadnu záruku. Táto záruka je ponúkaná v prospech zákazníka a nijako neovplyvní jeho zákonné záručné práva. Táto záruka platí vo všetkých členských štátoch EÚ a Európskej zóne voľného obchodu EFTA.

Ak sa objavia na výrobku Black & Decker, v priebehu 24 mesiacov od kúpy, akékoľvek materiálové či výrobné chyby, spoločnosť Black & Decker garantuje v snahe o minimalizovanie vašich starostí bezplatnú výmenu chybných dielov, opravu alebo výmenu celého výrobku za nižšie uvedených podmienok:

- ♦ Tento výrobok nebol používaný na obchodné alebo profesionálne účely a nedochádzalo k jeho prenájmu.
- ♦ Tento výrobok nebol vystavený nesprávnemu použitiu a nebola zanedbaná jeho predpísaná údržba.
- ♦ Tento výrobok nebol poškodený cudzím zavinením.
- ♦ Opravy neboli vykonávané inými osobami, než autorizovanými opravármi alebo mechanikmi autorizovaného servisu Black & Decker.

Ak požadujete záručnú opravu, budete musieť predajcovi alebo zástupcovi autorizovaného servisu predložiť doklad o kúpe výrobku. Miesto najbližšieho autorizovaného servisu Black & Decker nájdete na príslušnej adrese uvedenej v tomto návode. Zoznam autorizovaných servisov Black & Decker a podrobnosti o popredajnom servise nájdete aj na internetovej adrese: www.2helpU.com.

Navštívte, prosím, našu internetovú stránku www.blackanddecker.sk, aby ste mohli zaregistrovať váš nový výrobok Black & Decker

SLOVENČINA

a kde budete informovaní o našich nových výrobkoch a špeciálnych ponukách. Na adrese **www.blackanddecker.sk** sú k dispozícii ďalšie informácie o značke Black & Decker a o celom rade našich ďalších výrobkov.

Назначение

Ваша кордовая газонокосилка Black & Decker предназначена для скашивания травы, обработки краев газона, а также для стрижки травы в труднодоступных местах. Данный инструмент предназначен только для бытового использования.

Инструкции по технике безопасности

Внимание! При использовании электрических инструментов соблюдение правил по технике безопасности и следование данным инструкциям позволит снизить вероятность возникновения пожара, поражения электрическим током, получения травм и повреждения личного имущества.

Внимание! При использовании инструмента соблюдайте правила безопасности. В целях обеспечения безопасности оператора и посторонних лиц, перед использованием инструмента прочтите данные инструкции. Сохраните данные инструкции для последующего использования.

- ◆ Перед использованием инструмента внимательно прочтите данное руководство по эксплуатации.
- ◆ Назначение инструмента описывается в данном руководстве по эксплуатации. Использование любых принадлежностей или приспособлений, а также выполнение данным инструментом любых видов работ, не рекомендованных данным руководством по эксплуатации, может привести к несчастному случаю.
- ◆ Сохраните данное руководство для последующего обращения к нему.

Использование инструмента

Всегда соблюдайте осторожность при работе с данным инструментом.

- ◆ Всегда используйте защитные очки или маску.
- ◆ Не допускайте детей и любых лиц, не знакомых с данными правилами техники безопасности, к работе инструментом.
- ◆ Не позволяйте детям или животным находиться в рабочей зоне, дотрагиваться до инструмента или до электрического кабеля.
- ◆ Будьте особенно внимательны при использовании инструмента в присутствии детей.
- ◆ Использование инструмента детьми и неопытными лицами допускается только под контролем ответственного за их безопасность лица.

- ◆ Не используйте данный инструмент в качестве игрушки.
- ◆ Работайте инструментом только при дневном свете или в условиях хорошего искусственного освещения.
- ◆ Используйте инструмент только в сухих местах. Не подвергайте инструмент воздействию влаги.
- ◆ Не погружайте инструмент в воду.
- ◆ Не разбирайте корпус инструмента. Внутри нет обслуживаемых пользователем деталей.
- ◆ Не используйте инструмент, если есть опасность возгорания или взрыва, например, вблизи легко воспламеняющихся жидкостей, газов или пыли.
- ◆ Во избежание риска повреждения штепселей и электрических кабелей, никогда не тяните за кабель, чтобы отключить инструмент от штепсельной розетки.

Безопасность посторонних лиц

- ◆ Данный инструмент не может использоваться людьми (включая детей) со сниженными физическими, сенсорными и умственными способностями или при отсутствии необходимого опыта или навыка, за исключением, если они выполняют работу под присмотром или получили инструкции относительно работы с этим инструментом от лица, отвечающего за их безопасность.
- ◆ Не позволяйте детям играть с инструментом.
- ◆ Никогда не используйте электроинструмент вблизи людей, особенно, детей, или животных.

Остаточные риски

При работе с данным инструментом возможно возникновение дополнительных остаточных рисков, которые не вошли в описанные здесь правила техники безопасности. Эти риски могут возникнуть при неправильном или продолжительном использовании изделия и т.п.

Несмотря на соблюдение соответствующих инструкций по технике безопасности и использование предохранительных устройств, некоторые остаточные риски невозможно полностью исключить. К ним относятся:

- ◆ Травмы в результате касания вращающихся/двигающихся частей инструмента.
- ◆ Риск получения травмы во время смены деталей инструмента, ножей или насадок.
- ◆ Риск получения травмы, связанный с продолжительным использованием инструмента. При использовании устройства в течение

продолжительного периода времени делайте регулярные перерывы в работе.

- ◆ Ухудшение слуха.
- ◆ Ущерб здоровью в результате вдыхания пыли в процессе работы с инструментом (например, при обработке древесины, в особенности, дуба, бука и ДВП).

После использования

- ◆ Храните не используемый инструмент в сухом, хорошо вентилируемом месте, недоступном для детей.
- ◆ Дети не должны иметь доступ к убранному на хранение инструментам.
- ◆ Во время хранения или перевозки инструмента в автомобиле, помещайте его в багажник или закрепляйте, чтобы исключить его перемещение при резком изменении скорости или направления движения.

Осмотр и ремонт

- ◆ Перед осмотром, чисткой или проведением технического обслуживания отключайте инструмент от источника питания.
- ◆ Перед началом эксплуатации, всегда проверяйте исправность инструмента. Проверяйте целостность деталей и любых других элементов инструмента, воздействующих на его работу.
- ◆ Не используйте инструмент, если повреждена или неисправна какая-либо его деталь.
- ◆ Ремонтируйте или заменяйте поврежденные или неисправные детали только в авторизованном сервисном центре Black & Decker.
- ◆ Ни в коем случае не снимайте и не заменяйте детали, за исключением деталей, указанных в данном руководстве по эксплуатации.

Использование удлинительного кабеля

Всегда используйте удлинительные кабели установленного образца, соответствующие входной мощности данного инструмента (см. раздел «Технические характеристики»). Удлинительный кабель должен быть пригоден для использования на открытом воздухе и иметь соответствующую маркировку. Использование удлинительного кабеля HO5VV-F длиной до 30 м и диаметром в поперечном сечении 1,5 мм² не снизит производительность инструмента. Перед использованием проверьте удлинительный кабель на наличие признаков повреждения, старения и износа. В случае обнаружения повреждений удлинительный кабель подлежит замене. При использовании кабельного барабана, всегда полностью разматывайте кабель.

Дополнительные правила безопасности при работе газонокосилками

Внимание! После выключения электродвигателя, режущий механизм некоторое время вращается по инерции.

- ◆ Изучите все средства управления инструментом и используйте его по назначению.
- ◆ Перед использованием инструмента внимательно проверьте сетевой и удлинительный кабели на отсутствие повреждений и старения и износа. В случае повреждения кабеля во время работы, немедленно выньте его вилку из штепсельной розетки. НЕ ПРИКАСАЙТЕСЬ К КАБЕЛЮ, ПОКА ОН НЕ БУДЕТ ОТСОЕДИНЕН ОТ ЭЛЕКТРОСЕТИ.
- ◆ Не используйте инструмент, если его кабели повреждены или изношены.
- ◆ Используйте для защиты Ваших ног крепкие, нескользящие ботинки или сапоги.
- ◆ Надевайте длинные брюки для защиты Ваших ног.
- ◆ Перед началом работы убедитесь, что в рабочей зоне нет палок, камней, проволоки и других предметов.
- ◆ Используйте газонокосилку только в вертикальном положении, с режущей леской возле поверхности земли. Ни в коем случае не включайте газонокосилку, если она находится в любом другом положении!
- ◆ Передвигайтесь во время работы с газонокосилкой только в медленном темпе. Помните, что свежескошенная трава влажная и скользкая.
- ◆ Не работайте на крутых склонах. Стригите траву поперек уклона, ни в коем случае не сверху вниз!
- ◆ Ни в коем случае не пересекайте гравийные тропинки и дорожки при работающей газонокосилке!
- ◆ Ни в коем случае не касайтесь режущей лески при работающей газонокосилке!
- ◆ Не кладите на землю газонокосилку до момента, пока режущая леска полностью не остановится.
- ◆ Используйте режущую леску, рекомендованную изготовителем газонокосилки. Ни в коем случае не используйте металлические режущие нити или рыболовную леску!
- ◆ Будьте внимательны, чтобы случайно не коснуться отсекаателя режущей лески!
- ◆ Направляйте электрический кабель в сторону от режущей лески. Постоянно следите за положением кабеля.

- ◆ Следите, чтобы Ваши руки и ноги постоянно находились на безопасном расстоянии от режущего механизма, особенно при включении электродвигателя.
- ◆ Перед использованием инструмента и по окончании работы проверяйте его на наличие признаков старения или повреждений; в случае необходимости сдайте инструмент в ремонт.
- ◆ Ни в коем случае не используйте газонокосилку с поврежденными защитными кожухами, а также без установленных защитных кожухов.
- ◆ Будьте осторожны при работе с любыми инструментами, оснащенными режущей леской; невнимательность может привести к получению травмы. После того, как будет вытянута новая режущая леска, верните инструмент в его нормальное рабочее положение и только тогда включайте инструмент.
- ◆ Следите, чтобы вентиляционные прорези электродвигателя всегда оставались открытыми и чистыми.
- ◆ Не используйте газонокосилку, если кабели повреждены или изношены.
- ◆ Направляйте удлинительный кабель в сторону от режущего корда.

Маркировка инструмента

На инструменте имеются следующие предупреждающие символы:



Перед работой прочтите полностью данное руководство по эксплуатации.



При работе данным инструментом надевайте защитные очки или маску.



При работе с инструментом используйте средства защиты органов слуха.



Перед осмотром поврежденного кабеля всегда вынимайте вилку кабеля из розетки электросети. Не используйте газонокосилку, если ее кабель поврежден.



Остерегайтесь разлетающихся предметов. Следите, чтобы в зоне работы не было посторонних лиц.



Не используйте инструмент под дождем или во влажной среде.



Гарантированная акустическая мощность в соответствии с Директивой 2000/14/ЕС.

Электробезопасность



Данный электроинструмент защищен двойной изоляцией, что исключает потребность в заземляющем проводе. Следите за напряжением электрической сети, оно должно соответствовать величине, обозначенной на информационной табличке инструмента.

- ◆ Во избежание несчастного случая, замена поврежденного кабеля питания должна производиться только на заводе-изготовителе или в авторизованном сервисном центре Black & Decker.
- ◆ Электробезопасность может быть повышена при использовании высокочувствительного 30 мА устройства защитного отключения (УЗО).

Составные части

Ваш инструмент может содержать все или некоторые из перечисленных ниже составных частей:

1. Клавиша пускового выключателя
2. Рукоятка
3. Кабельный зажим
4. Соединительный элемент входа электропитания
5. Вспомогательная рукоятка
6. Кнопка регулировки положения рукоятки
7. Штанга
8. Место хранения запасной катушки с леской
9. Крышка HDL
10. Защитный кожух
11. Отсекатель режущей лески
12. Корпус катушки
13. Режущая леска
14. Направляющее колесо для подравнивания кромок

Сборка

Внимание! Перед началом сборки убедитесь, что инструмент выключен и отсоединен от электросети.

Установка защитного кожуха (Рис. А и В)

- ◆ Отвинтите винт (15) на защитном кожухе (10).
- ◆ Установите защитный кожух (10) на инструмент, как показано на рисунке.
- ◆ Нажмите на защитный кожух до ощущаемой фиксации.
- ◆ Закрепите защитный кожух винтом.
- ◆ Затяните винт.

Внимание! Используйте газонокосилку только с правильно установленным защитным кожухом.

Установка дополнительной рукоятки (Рис. С)

- ◆ Нажмите и удерживайте регулировочную кнопку (6), расположенную на боковой стороне основной рукоятки.
- ◆ Надвиньте дополнительную рукоятку (5) на место поверх регулировочной кнопки (6).

Внимание! Следите, чтобы зубчики на кнопке полностью вошли в пазы на рукоятке. Проверьте, что рукоятка надежно закреплена.

Регулировка положения дополнительной рукоятки (Рис. D)

Для обеспечения оптимального баланса и комфорта при использовании, положение вспомогательной рукоятки (5) можно отрегулировать.

- ◆ Нажмите на регулировочную кнопку (6) с левой стороны рукоятки.
- ◆ Поверните дополнительную рукоятку (5) в желаемое положение.
- ◆ Отпустите регулировочную кнопку (6).

Внимание! Следите, чтобы зубчики на кнопке полностью вошли в пазы на рукоятке. Проверьте, что рукоятка надежно закреплена.

Регулирование высоты инструмента (Рис. E и F)

Данный инструмент оборудован телескопическим механизмом, позволяющим устанавливать удобную для Вас высоту. Предусмотрено несколько установок высоты. Для регулирования высоты поступите следующим образом:

- ◆ Откройте зажимной рычаг регулировки высоты (16).
- ◆ Аккуратно вдвиньте или выдвиньте штангу (7) на желаемую длину.
- ◆ Закройте зажимной рычаг регулировки высоты (16).

Подготовка режущей лески

При поставке режущая леска прикреплена к корпусу катушки клейкой лентой.

- ◆ Удалите клейкую ленту, которой режущая леска прикреплена к корпусу катушки (12).

Хранение не используемой катушки (Рис. G)

Данный инструмент имеет две системы скашивания:

- ◆ **AFS:** Автоматическая подача одинарной лески для скашивания в легком режиме и подравнивания кромок.

- ◆ **HDL:** Система двойной сверхпрочной лески для обработки слишком заросших участков.

Примечание: Катушка с HDL-леской может использоваться только в режиме скашивания. Не используемая в данный момент система может содержаться в месте для хранения запасной катушки (Только GL8033 и GL9035).

- ◆ Совместите язычки (17) на крышке катушки с вырезами (18) в месте хранения запасной катушки (8).
- ◆ Надавите на крышку и прижмите ее к месту хранения, пока она не встанет на свое место.

Подключение инструмента к электросети (Рис. H)

- ◆ Вставьте штепсельную розетку подходящего удлинительного кабеля в соединительный элемент (4) силового входа газонокосилки.
- ◆ Направьте удлинительный кабель через кабельный зажим (3).
- ◆ Вставьте вилку удлинительного кабеля в штепсельную розетку электросети.

Для исключения случайного разъединения штепсельного разъема под воздействием растягивающего усилия, каждый раз перед подключением электроинструмента к штепсельной розетке следите, чтобы удлинительный кабель проходил через кабельный зажим.

Внимание! Удлинительный кабель должен быть пригоден для эксплуатации на открытом воздухе.

Эксплуатация

Внимание! Не форсируйте рабочий процесс. Избегайте перегрузки инструмента.

Настройка газонокосилки на скашивание или подравнивание кромок (Рис. I и J)

Данную газонокосилку можно использовать для скашивания травы, как показано на Рис. I, а также для срезания травы вдоль кромок газона и цветочных клумб, как показано на Рис. J.

Режим скашивания (Рис. I)

При скашивании головка газонокосилки должна находиться в положении, показанном на Рис. I. Если это не так, поступите следующим образом:

- ◆ Откройте зажимной рычаг регулировки высоты (16).
- ◆ Поверните штангу (7) по часовой стрелке.
- ◆ Установив головку газонокосилки в нужное положение, закройте зажимной рычаг регулировки высоты (16).

Примечание: Штанга может поворачиваться только в одну сторону.

Примечание: Катушка с HDL-леской может использоваться только в режиме скашивания.

Режим подравнивания кромок (Рис. J)

При подравнивании кромок головка газонокосилки должна находиться в положении, показанном на Рис. J. Если это не так, поступите следующим образом:

- ◆ Откройте зажимной рычаг регулировки высоты (16).
- ◆ Поверните штангу (7) против часовой стрелки.
- ◆ Установив головку газонокосилки в нужное положение, закройте зажимной рычаг регулировки высоты (16).

Примечание: Штанга может поворачиваться только в одну сторону.

Включение и выключение

- ◆ Чтобы включить инструмент, нажмите на клавишу пускового выключателя (1).
- ◆ Чтобы выключить инструмент, отпустите клавишу пускового выключателя.

Внимание! Ни в коем случае не пытайтесь заблокировать клавишу пускового выключателя во включенном положении!

Рекомендации по оптимальному использованию

Общие требования

- ◆ Для достижения наилучших результатов, срежьте только сухую траву.

Скашивание травы

- ◆ Держите инструмент, как показано на Рис. K.
- ◆ Плавно ведите газонокосилку из стороны в сторону.
- ◆ Высокую траву стригите постепенно, небольшими слоями, начиная сверху. Стригите небольшими слоями.
- ◆ Избегайте контакта инструмента с твердыми предметами и нежными растениями.
- ◆ При стрижке травы вдоль тротуаров и других абразивных поверхностей, а также при срезании сорняков на толстых стеблях, режущая леска быстрее придет в негодность и потребуется более частая ее подача.
- ◆ Если инструмент снизил темп работы, уменьшите нагрузку.

Подравнивание кромок

Наилучшие результаты достигаются при высоте кромок 50 и более миллиметров.

- ◆ Не используйте газонокосилку для формирования новых кромок. Для создания новых кромок используйте специально предназначенную для этого лопатку.
- ◆ Ведите газонокосилку, опираясь на направляющее колесо, как показано на Рис. L.
- ◆ Чтобы срезать траву как можно ближе к поверхности земли, немного наклоните инструмент.

Установка новой катушки с режущей леской (Рис. M и N)

Новые катушки с режущей леской можно приобрести у Вашего дилера Black & Decker (№ для заказа A6482). Также можно приобрести комплект из трех катушек с леской (№ для заказа A6486).

- ◆ Отключите инструмент от источника питания.
- ◆ Удерживая язычки (17) нажатыми, снимите крышку (21) с корпуса катушки (12) (Рис. M).
- ◆ Извлеките пустую катушку (22) из крышки.
- ◆ Удалите всю грязь и обрезки травы с крышки катушки и из корпуса.
- ◆ Концевую часть режущей лески направьте в проушину (23) (Рис. M). Леска должна выступать из крышки приблизительно на 11 см.

Примечание: Следите, чтобы леска не разматалась с катушки. Для этого все время плотно придерживайте леску рукой.

- ◆ Наденьте новую катушку на стержень крышки. Слегка поверните катушку, до ощутимой фиксации.
- ◆ Совместите язычки (17) на крышке катушки с вырезами (24) в корпусе (12).
- ◆ Надавите на крышку и прижмите ее к корпусу, пока она не встанет на свое место.

Внимание! Если режущая леска выступает за отсекатель (11), обрежьте леску, чтобы она доходила только до отсекателя.

Установка нового мотка сверхпрочной режущей лески (Рис. O и P)

Наборы из десяти мотков сверхпрочной режущей лески можно приобрести у Вашего дилера Black & Decker (№ для заказа A6489). Чтобы установить новый моток лески, действуйте следующим образом:

- ◆ Отключите инструмент от источника питания.
- ◆ Удерживая язычки (17) нажатыми, снимите HDL-крышку (9) с корпуса катушки (12).
- ◆ Удалите всю грязь и обрезки травы с HDL-крышки (9) и из корпуса.
- ◆ Извлеките из HDL-крышки (9) использованный моток лески.

- ◆ Пропустите концы нового мотка лески (20) через проушины (27), расположенные по обеим сторонам HDL-крышки.
- ◆ Расположите центральную втулку (28) таким образом, как изображено на Рис. Р.
- ◆ Установите на место HDL-крышку.

Внимание! Используйте только оригинальную режущую леску Black & Decker.

Возможные неисправности и способы их устранения

В случае возникновения нарушений в работе инструмента, выполняйте приведенные ниже указания. Если неисправность своими силами устранить не удастся, обратитесь в авторизованный сервисный центр Black & Decker.

Внимание! Прежде чем приступить к устранению неисправностей, отключите инструмент от источника питания.

Газонокосилка работает медленно

- ◆ Убедитесь, что корпус катушки вращается свободно. При необходимости тщательно его очистите.
- ◆ Убедитесь, что длина выступающей из корпуса катушки режущей лески не превышает 11 см. При необходимости обрежьте ее, чтобы она доходила только до отсекателя.

Не работает автоматическая подача режущей лески

- ◆ Удерживая язычки нажатыми, снимите крышку с корпуса катушки.
- ◆ Вытяните режущую леску на 11 см из корпуса катушки. Если режущей лески на катушке недостаточно, вставьте новую катушку с леской, как описано выше.
- ◆ Совместите язычки крышки катушки с вырезами в корпусе.
- ◆ Надавите на крышку и прижмите ее к корпусу, пока она не встанет на свое место.
- ◆ Если режущая леска выступает за отсека-тель, обрежьте леску, чтобы она доходила только до отсекателя.

Если автоматическая подача режущей лески все же не производится или заклинило катушку, попробуйте поступить следующим образом:

- ◆ Тщательно очистите крышку и корпус катушки.
- ◆ Извлеките катушку, и проверьте, может ли свободно двигаться рычаг.
- ◆ Извлеките катушку и размотайте режущую леску; затем снова аккуратно намотайте леску, как было описано выше. Установите катушку на свое место, как описано выше.

Защита окружающей среды



Раздельный сбор. Данное изделие нельзя утилизировать вместе с обычными бытовыми отходами.

Если однажды Вы захотите заменить Ваш электроинструмент Black & Decker или Вы больше в нем не нуждаетесь, не выбрасывайте его вместе с бытовыми отходами. Отнесите изделие в специальный приемный пункт.



Раздельный сбор изделий с истекшим сроком службы и их упаковок позволяет пускать их в переработку и повторно использовать. Использование переработанных материалов помогает защищать окружающую среду от загрязнения и снижает расход сырьевых материалов.

Местное законодательство может обеспечить сбор старых электрических продуктов отдельно от бытового мусора на муниципальных свалках отходов, или Вы можете сдавать их в торговом предприятии при покупке нового изделия.

Фирма Black & Decker обеспечивает прием и переработку отслуживших свой срок изделий Black & Decker. Чтобы воспользоваться этой услугой, Вы можете сдать Ваше изделие в любой авторизованный сервисный центр, который собирает их по нашему поручению.

Вы можете узнать место нахождения Вашего ближайшего авторизованного сервисного центра, обратившись в Ваш местный офис Black & Decker по адресу, указанному в данном руководстве по эксплуатации. Кроме того, список авторизованных сервисных центров Black & Decker и полную информацию о нашем послепродажном обслуживании и контактах Вы можете найти в интернете по адресу: www.2helpU.com.

Технические характеристики

	GL7033 (Тип 1)	GL8033 (Тип 1)	GL9035 (Тип 1)
Напряжение питания	В перем. тока 230	230	230
Потребляемая мощность	Вт 700	800	900
Скорость без нагрузки	об/мин 7000	7000	7000
Вес	кг 3,2	3,2	3,2

Уровень звукового давления:

Звуковое давление (L_{pA}) 80 дБ(А), погрешность (К) 2 дБ(А),
Акустическая мощность (L_{wA}) 94 дБ(А), погрешность (К)
2 дБ(А)

**Сумма величин вибрации (сумма векторов по трем осям),
измеренных в соответствии со стандартом EN 786:**

Вибрационное воздействие (a_v) 8,2 м/с², погрешность (К)
1,5 м/с²

Декларация соответствия ЕС

ДИРЕКТИВА ПО МЕХАНИЧЕСКОМУ
ОБОРУДОВАНИЮ
ДИРЕКТИВА ПО ШУМАМ, ПРОИЗВОДИМЫМ
ВНЕ ПОМЕЩЕНИЙ



GL7033/GL8033/GL9035

Black & Decker заявляет, что продукты, обо-
значенные в разделе «Технические характери-
стики», полностью соответствуют стандартам:
2006/42/ЕС, EN 60335-1, EN 60335-2-91

2000/14/ЕС, Газонокосилка, L ≤ 50 см, Прило-
жение VIII

KEMA Quality B.V., Utrechtseweg 310, 6802 ED
Arnhem, Голландия

Идентификационный Номер Уполномоченного
Органа: 0344

Уровень акустической мощности, измеренный
в соответствии с 2000/14/ЕС

(Статья 12, Приложение III, L ≤ 50 см):

L_{wA} (измеренная акустическая мощность)
94 дБ(А)

Погрешность (К) = 2 дБ(А)

L_{wA} (гарантированная акустическая мощность)
96 дБ(А)

Погрешность (К) = 2 дБ(А)

Данные продукты также соответствуют Дирек-
тивам 2004/108/ЕС и 2011/65/EU.

За дополнительной информацией обращайтесь
в Black & Decker по указанному ниже адресу или
по адресу, указанному на последней странице
руководства. Нижеподписавшееся лицо полно-
стью отвечает за соответствие технических
данных и делает это заявление от имени фирмы
Black & Decker.

Кевин Хьюитт (Kevin Hewitt)

Вице-президент отдела
мирового проектирования

Black & Decker Europe,
210 Bath Road, Slough,

Berkshire, SL1 3YD
United Kingdom

17-10-2012

БЛЭК ЭНД ДЕККЕР

гарантийные условия

Уважаемый покупатель!

1. Поздравляем Вас с покупкой высококачественного изделия BLACK & DECKER и выражаем признательность за Ваш выбор.
- 1.1. Надежная работа данного изделия в течение всего срока эксплуатации - предмет особой заботы наших сервисных служб. В случае возникновения каких-либо проблем в процессе эксплуатации изделия рекомендуем Вам обращаться только в авторизованные сервисные организации, адреса и телефоны которых Вы сможете найти в Гарантийном талоне или узнать в магазине. Наши сервисные станции - это не только квалифицированный ремонт, но и широкий выбор запчастей и принадлежностей.
- 1.2. При покупке изделия требуйте проверки его комплектности и исправности в Вашем присутствии, инструкцию по эксплуатации и заполненный Гарантийный талон на русском языке. При отсутствии у Вас правильно заполненного Гарантийного талона мы будем вынуждены отклонить Ваши претензии по качеству данного изделия.
- 1.3. Во избежание недоразумений убедительно просим Вас перед началом работы с изделием внимательно ознакомиться с инструкцией по его эксплуатации.
- 1.4. Обращаем Ваше внимание на исключительно бытовое назначение данного изделия.
2. Правовой основой настоящих гарантийных условий является действующее Законодательство и, в частности, Закон "О защите прав потребителей".
3. Гарантийный срок на данное изделие составляет 24 месяца и исчисляется со дня продажи через розничную торговую сеть. В случае устранения недостатков изделия, гарантийный срок продлевается на период, в течение которого оно не использовалось.
4. Срок службы изделия - 5 лет (минимальный, установленный в соответствии с Законом "О защите прав потребителей").
5. Наши гарантийные обязательства распространяются только на неисправности, выявленные в течение гарантийного срока и обусловленные производственными и конструктивными факторами.
6. Гарантийные обязательства не распространяются:
 - 6.1. На неисправности изделия, возникшие в результате:
 - 6.1.1. Несоблюдения пользователем предписаний инструкции по эксплуатации изделия.
 - 6.1.2. Механического повреждения, вызванного внешним ударным или любым иным воздействием.

- 6.1.3. Использования изделия в профессиональных целях и объемах, в коммерческих целях.
- 6.1.4. Применения изделия не по назначению.
- 6.1.5. Стихийного бедствия.
- 6.1.6. Неблагоприятных атмосферных и иных внешних воздействий на изделие, таких как дождь, снег, повышенная влажность, нагрев, агрессивные среды, несоответствие параметров питающей электросети указанным на инструменте.
- 6.1.7. Использования принадлежностей, расходных материалов и запчастей, не рекомендованных или не одобренных производителем.
- 6.1.8. Проникновения внутрь изделия посторонних предметов, насекомых, материалов или веществ, не являющихся отходами, сопровождающими применение по назначению, такими как стружка опилки и пр. .
- 6.2. На инструменты, подвергавшиеся вскрытию, ремонту или модификации вне уполномоченной сервисной станции.
- 6.3. На принадлежности, запчасти, вышедшие из строя вследствие нормального износа, и расходные материалы, такие как приводные ремни, угольные щетки, аккумуляторные батареи, ножи, пилки, абразивы, пыльные диски, сверла, буры и т. п. .
- 6.4. На неисправности, возникшие в результате перегрузки инструмента, повлекшей выход из строя электродвигателя или других узлов и деталей. К безусловным признакам перегрузки изделия относятся, помимо прочих: появление цветов побежалости, деформация или оплавление деталей и узлов изделия, потемнение или обугливание изоляции проводов электродвигателя под воздействием высокой температуры.



ME 77



007

Блэк энд Деккер Гмбх
Блэк энд Деккер Штрассе, 40
65510 Идштайн, Германия

Область застосування

Ваш тример виробництва компанії Black & Decker був розроблений для підрізання та надання красивого вигляду Вашому газону та для обрізання трави на важкодоступних ділянках. Цей інструмент призначений лише для побутового використання.

Інструкції з техніки безпеки

Попередження! При використанні пристроїв з живленням від електричної мережі необхідно дотримуватись основних заходів безпеки, включаючи наступні, щоб знизити ризик виникнення пожежі, ураження електричним струмом, травм та матеріальних ушкоджень.

Попередження! При використанні пристрою необхідно дотримуватись правил техніки безпеки. Перед використанням машини прочитайте ці інструкції для власної безпеки та для безпеки людей, які знаходяться поряд. Будь ласка зберігайте інструкції в безпечному місці для використання в майбутньому.

- ◆ Перед роботою з пристроєм уважно прочитайте це керівництво.
- ◆ Використання за призначенням описане в цьому керівництві. Використання будь-яких аксесуарів чи додаткових інструментів, або виконання операцій з прибором, неописаних в цьому керівництві, може призвести до особливих травм.
- ◆ Зберігайте це керівництво для отримання інформації в подальшому.

Використання пристрою

Будьте уважні при використанні пристрою.

- ◆ Завжди використовуйте захисні окуляри.
- ◆ Ніколи не дозволяйте дітям та особам, які не знають всіх інструкцій, використовувати цей пристрій.
- ◆ Не дозволяйте дітям або тваринам підходити до робочої зони та торкатися пристроїв або електричних шнурів.
- ◆ Необхідний ретельний нагляд, коли пристрій використовується біля дітей.
- ◆ Цей пристрій не призначений для використання молодими та хворими людьми без нагляду.
- ◆ Цей пристрій не можна використовувати в якості іграшки.
- ◆ Використовуйте цей пристрій лише вдень або за умови хорошого штучного освітлення.
- ◆ Використовуйте лише в сухому місці. Не дозволяйте, щоб пристрій був вологим.
- ◆ Не занурюйте пристрій у воду.

- ◆ Не відкривайте корпус. Всередині відсутні деталі, які користувач може обслуговувати самостійно.
- ◆ Не використовуйте цей пристрій у вибухонебезпечних умовах, наприклад, в присутності легкозаймистих рідин, газів або пилу.
- ◆ Щоб знизити ризик пошкодження вилок та шнурів, ніколи не тягніть за кабель, щоб витягнути вилку з розетки.

Безпека сторонніх людей

- ◆ Цей інструмент не призначений для використання особами (включаючи дітей) із знизеними фізичними, сенсорними або розумовими можливостями, а також особами, які не мають досвіду та знань, за винятком випадків, коли вони працюють під наглядом або отримали відповідні інструкції щодо використання пристрою від особи, відповідальної за безпеку.
- ◆ Діти повинні знаходитись під контролем, щоб гарантувати, що вони не будуть грати з пристроєм.
- ◆ Припиніть використання пристрою, коли поряд знаходяться інші люди, особливо діти.

Залишкові ризики.

При використанні інструменту можуть виникнути додаткові залишкові ризики, які можуть бути не внесені до попереджень щодо техніки безпеки цього керівництва. Ці ризики можуть виникнути як результат неправильного використання, тривалого використання, тощо.

Незважаючи на виконання всіх відповідних правил техніки безпеки та використання пристроїв безпеки, неможливо уникнути деяких залишкових ризиків. Сюди належать:

- ◆ Травми через контакт з деталями, що рухаються/обертаються.
- ◆ Травми при заміні деталей, лез або аксесуарів.
- ◆ Травми через занадто тривале використання інструменту. При використанні будь-якого інструменту протягом тривалого періоду часу не забувайте робити регулярні перерви.
- ◆ Ушкодження слуху.
- ◆ Небезпека для здоров'я через вдихання пилу, що утворюється при використанні інструменту (наприклад, при роботі з деревом, особливо з дубом, березою та ДВП).

Після використання

- ◆ Коли пристрій не використовується, його необхідно зберігати в сухому, добре провітрюваному та недоступному для дітей місці.

- ♦ Дітям забороняється мати доступ до пристрою в місці зберігання.
- ♦ Якщо пристрій зберігається або транспортується в автомобілі, його необхідно помістити в багажник або зафіксувати, щоб уникнути рухів через раптові зміни швидкості або напругу.

Перевірка та ремонт

- ♦ Відключіть пристрій від мережі живлення перед перевіркою, очищенням або роботою з ним, а також коли пристрій не використовується.
- ♦ Перед використанням перевірте пристрій на наявність пошкоджених деталей. Перевірте наявність пошкоджених деталей та інших умов, що можуть вплинути на роботу.
- ♦ Не використовуйте пристрій, якщо виявлено пошкодження або дефекти якоїсь деталі.
- ♦ Пошкоджені або дефектні деталі необхідно відремонтувати або замінити, звернувшись до авторизованого центру з ремонту.
- ♦ Ніколи не намагайтесь знімати або замінювати деталі, за винятком тих, що вказані в цьому керівництві.

Використання подовжуючого шнура

Завжди використовуйте рекомендований подовжуючий шнур, що відповідає вхідній потужності пристрою (див. Технічні дані). Подовжуючий шнур повинен підходити для використання на вулиці та повинен мати відповідне маркування. До 30 м подовжуючого шнура з площею перетину 1,5 мм² HO5VV-F можна використовувати без втрати продуктивності роботи виробу. Перед використанням огляньте кабель на ознаки пошкодження, зносу та старіння. Замініть кабель, якщо він пошкоджений або має якісь дефекти. При використанні кабельного барабану завжди витягуйте весь кабель.

Додаткові інструкції з техніки безпеки для мотокозарки

Попередження! Ріжучі елементи продовжують обертатися після вимкнення мотору.

- ♦ Ознайомтесь в правилами управління та відповідного використання пристрою.
- ♦ Перед використанням огляньте кабель живлення та подовжуючий шнур на ознаки пошкодження, зносу та старіння. Якщо шнур пошкоджується під час використання, негайно від'єднайте його від електромережі. НЕ ТОРКАЙТЕСЬ ШНУРА, ДОКИ ВІН НЕ ВІД'ЄДНАНИЙ ВІД ЕЛЕКТРОМЕРЕЖІ.

- ♦ Не використовуйте пристрій, якщо його кабель пошкоджені або зношені.
- ♦ Підберіть міцне неслизьке взуття для захисту ніг.
- ♦ Вдягайте довгі штани, щоб захистити ноги.
- ♦ Перед використанням пристрою перевірте, що лінія вашого розрізу вільна від прутів, каміння, проводки та інших перешкод.
- ♦ Використовуйте цей пристрій лише у вертикальному положенні так, щоб ріжуча волосін була недалеко від землі. Ніколи не вмикайте інструмент в іншому положенні.
- ♦ При використанні пристрою рухайтесь повільно. Пам'ятайте, що скошена трава волога та слизька.
- ♦ Не працюйте, стоячи на нахиленій поверхні. Рухайтесь по схилу поперек, а не вгору або вниз.
- ♦ Ніколи не переходьте гравієві доріжки та дороги з увімкненим пристроєм.
- ♦ Ніколи не торкайтесь ріжучої волосіні, коли інструмент увімкнений.
- ♦ Ніколи не кладіть інструмент, доки ріжучий елемент повністю не зупиниться.
- ♦ Використовуйте лише відповідний тип ріжучої волосіні. Забороняється використовувати металеву та рибацьку волосін.
- ♦ Ніколи не торкайтесь леза підрізного ножа.
- ♦ Зверніть увагу на те, щоб кабель знаходився на безпечній відстані від ріжучого елемента. Стежте за положенням кабелю при роботі.
- ♦ Тримайте руки та ноги подалі від ріжучої волосіні, особливо при ввімкненні інструменту.
- ♦ Перед використанням пристрою та після будь-якої роботи з ним перевіряйте пристрій на ознаки зносу або пошкодження та виконуйте ремонт за необхідності.
- ♦ Ніколи не використовуйте інструмент із пошкодженими запобіжниками або без них.
- ♦ Будьте обережні, щоб не пошкодитись якимось пристроєм, встановленим для підрізки довжини ріжучої волосіні. Після витягування нової ріжучої волосіні завжди повертайте пристрій у нормальне робоче положення перед увімкненням його.
- ♦ Стежте за тим, що вентиляційні отвори були чистими.
- ♦ Не використовуйте тример для газонів (тример для обробки краю газону), якщо шнур пошкоджений або зношений.
- ♦ Утримуйте подовжуючий шнур подалі від ріжучих елементів.

Маркування на пристрої

На інструменті є наступні попереджувальні символи:



Прочитайте ці інструкції перед використанням.



Використовуйте захисні окуляри при роботі з інструментом.



При використанні пристрою використовуйте засоби захисту органів слуху.



Завжди витягайте вилку з розетки перед оглядом пошкодженого кабелю. Не використовуйте тример, якщо кабель пошкоджений.



Бережіться летючих об'єктів. Тримайте сторонніх людей подалі від ріжучої поверхні.



Не залишайте інструмент під дощем та в умовах підвищеної вологості.



В Директиві 2000/14/ЕС вказана гарантована звукова потужність.

Електрична безпека



Цей пристрій має подвійну ізоляцію; тому заземлення не є необхідним. Завжди перевіряйте, що джерело живлення відповідає напрузі, яка вказана на табличці з паспортними даними.

- ◆ Якщо шнур живлення пошкоджений, його необхідно замінити у виробника або в офіційному сервісному центрі компанії Black & Decker для уникнення небезпеки.
- ◆ Рівень електричної безпеки можна також підвищити, використовуючи висоочутливий пристрій залишкового струму (RCD) 30 мА.

Деталі

Цей пристрій має всі або деякі з нижче перерахованих деталей.

1. Вимикач
2. Ручка
3. Фіксатор кабелю
4. Вхід електроживлення
5. Додаткова ручка
6. Кнопка налаштування
7. Трубка
8. Відсік для зберігання запасної катушки
9. Кришка HDL

10. Захисний кожух
11. Підрізний ніж
12. Корпус для катушки
13. Ріжуча волосінь
14. Колесо для обробки краю

Збирання

Попередження! Перед збіркою переконайтеся, що інструмент вимкнено та вилка витягнута з розетки.

Встановлення захисного кожуха (мал. А і В)

- ◆ Зніміть гвинт (15) із захисного кожуху (10).
- ◆ Розташуйте захисний кожух (10) на інструменті, як показано.
- ◆ Добре натисніть на захисний кожух, доки він не встане на місце.
- ◆ Закріпіть захисний кожух за допомогою гвинта.
- ◆ Затягніть гвинт.

Попередження! Не використовуйте інструмент, якщо захисний кожух встановлено не правильно.

Встановлення додаткової ручки (мал. С)

- ◆ Натисніть та утримуйте кнопку налаштування (6) з обох боків ручки.
- ◆ Встановіть додаткову ручку (5) на місце над кнопками налаштування (6).

Попередження! Переконайтеся, що зубці на кнопці правильно вирівняні відповідно до пазів ручки і що ручка надійно зафіксована.

Налаштування положення додаткової ручки (мал. D)

Додаткова ручка (5) налаштовується для забезпечення оптимального балансу та комфорту.

- ◆ Натисніть на кнопку налаштування (6) на лівій стороні ручки.
- ◆ Поверніть другу ручку (5) у необхідне положення.
- ◆ Відпустіть кнопку налаштування (6).

Попередження! Переконайтеся, що зубці на кнопці правильно вирівняні відповідно до пазів ручки і що ручка надійно зафіксована.

Налаштування висоти інструменту (мал. Е і F)

Цей інструмент оснащений телескопічним механізмом, який дозволяє встановити комфортну довжину ручки. Доступні різні значення висоти. Щоб налаштувати висоту інструменту, виконайте наступні дії:

- ◆ Відпустіть фіксатор налаштування висоти (16).
- ◆ Обережно потягніть трубку (7) вниз або вгору, встановивши бажану висоту.
- ◆ Закрийте фіксатор налаштування висоти (16).

Підготовка ріжучої волосіні до роботи

При транспортуванні ріжуча волосінь приклеєна до корпусу котушки.

- ◆ Зніміть клейку стрічку, утримуючи ріжучу волосінь на корпусі котушки (12).

Зберігання котушки, що не використовується (мал. G)

Інструмент оснащено двома ріжучими системами:

- ◆ **AFS:** Автоматична подача однієї волосіні для підстригання трави та вирівнювання краю газону.
- ◆ **HDL:** Потужна система підстригання трави з подвійною волосіню для місць, де газон виріс більш пишним.

Примітка: Котушка HDL може використовуватись лише в режимі підстригання трави.

Ріжуча котушка може зберігатись у спеціальному відсіку для запасної котушки, коли вона не використовується (лише для моделей GL8033 і GL9035).

- ◆ Вирівняйте фіксатори (17) на корпусі котушки відносно пазів (18) відсіку для зберігання запасної котушки (8).
- ◆ Натисніть на кришку відсіку, щоб вона встала на своє місце на корпусі.

Підключення інструменту до мережі живлення (мал. H)

- ◆ З'єднайте штепсельну розетку відповідного подовжуючого кабелю з отвором входу живлення (4).
- ◆ Закріпіть кабель в фіксаторі (3).
- ◆ Підключіть мережний кабель до мережі живлення.

Попередження: Перед підключенням мережного кабелю до мережі живлення переконайтесь, що він закріплений фіксатором.

Попередження! Подовжуючий шнур повинен підходити для використання на вулиці.

Використання

Попередження! Інструмент повинен працювати із рекомендованою швидкістю. Не перевантажуйте його.

Налаштування інструменту для підстригання трави і вирівнювання краю (мал. I і J)

Ваш інструмент може бути використаний для підстригання трави, як показано на мал. I або для вирівнювання краю газону або квіткових клумб, як показано на мал. J.

Режим підстригання трави (мал. I)

Для підстригання трави голівка тримеру повинна бути встановлена у положення, показане на мал. I. Якщо це не так:

- ◆ Відпустіть фіксатор налаштування висоти (16).
- ◆ Поверніть трубку (7) за годинниковою стрілкою.
- ◆ Коли голівка встановлена у вірне положення, закрийте фіксатор налаштування висоти (16).

Примітка: Трубка може повертатись лише в одну сторону.

Примітка: Котушка HDL може використовуватись в режимі підстригання трави.

Режим вирівнювання краю газону (мал. J)

Для вирівнювання краю газону голівка тримеру повинна бути встановлена у положення, показане на мал. J. Якщо це не так:

- ◆ Відпустіть фіксатор налаштування висоти (16).
- ◆ Поверніть трубку (7) за годинниковою стрілкою.
- ◆ Коли голівка встановлена у вірне положення, закрийте фіксатор налаштування висоти (16).

Примітка: Трубка може повертатись лише в одну сторону.

Вмикання та вимикання

- ◆ Для ввімкнення інструменту натисніть перемикач ввімкнено/вимкнено (1).
- ◆ Відпустіть перемикач, щоб вимкнути інструмент.

Попередження! Не намагайтесь заблокувати перемикач у включеному положенні.

Примітки для оптимального використання

Загальні положення

- ◆ Щоб досягти оптимального результату, підстригайте лише суху траву.

Підстригання трави

- ◆ Тримайте інструмент, як показано на мал. K.

- ◆ Повільно пересувайте тример зі сторони в сторону.
- ◆ Підстригання високої трави треба робити поетапно, починаючи зверху. Робіть невеликі зрізи.
- ◆ Тримайте інструмент на безпечній відстані від твердих предметів та ніжних рослин.
- ◆ Ріжуча волосінь зноситься швидше та буде вимагати частішої заміни, якщо скошувати траву біля тротуару або іншої абразивної поверхні, або якщо скошувати твердішу траву.
- ◆ Якщо інструмент починає обертатися повільніше, зменшіть навантаження.

Вирівнювання краю

Оптимальна якість роботи досягається при висоті краю більше за 50 мм.

- ◆ Не використовуйте інструмент для створення нових країв. Застосовуйте для цього спеціальну лопатку.
- ◆ Направляйте інструмент по колесу, як показано на мал. L.
- ◆ Для більш короткого зрізу, трохи нахиліть інструмент.

Встановлення нової котушки з ріжучою волосінню (мал. M і N)

Запасні котушки ріжучої волосіні можна придбати у дилерів компанії Black & Decker (кат. № A6482). Також можна придбати набір з 3 котушок з ріжучою волосінню (кат. № A6486).

- ◆ Відключіть інструмент від мережі живлення.
- ◆ Натисніть на фіксатори (17) і зніміть кришку котушки (21) з корпусу (12) (мал. M).
- ◆ Витягніть порожню котушку (22) з корпусу.
- ◆ Видаліть бруд та траву з кришки та корпусу.
- ◆ Від'єднайте кінець ріжучої волосіні й пропустіть його в отвір (23) (мал. M). Ріжуча волосінь повинна виступати приблизно на 11 см з-під кришки котушки.

Примітка: Стежте за тим, щоб волосінь в котушці не розмотувалась. Постійно утримуйте її міцно однією рукою.

- ◆ Візьміть нову котушку та встановіть її на втулку корпусу котушки. Трохи поверніть котушку, щоб вона встала на місце.
- ◆ Вирівняйте фіксатори (17) на корпусі котушки відносно пазів (24) корпусу (12).
- ◆ Натисніть на кришку, щоб вона встала на своє місце на корпусі.

Попередження! Якщо ріжуча волосінь виступає за лезо (11), обріжте її так, щоб вона тільки доходила до нього.

Встановлення нової потужної ріжучої волосіні (мал. O і P)

Запасні комплекти з 10 потужних ріжучих волосінь можна придбати у дилерів компанії Black & Decker (кат. № A6489). Щоб встановити нову ріжучу волосінь, виконайте наступні дії.

- ◆ Відключіть інструмент від мережі живлення.
- ◆ Натисніть на фіксатори (17) і зніміть кришку котушки (9) з корпусу (12).
- ◆ Видаліть бруд та траву з кришки HDL (9) та корпусу.
- ◆ Витягніть використану волосінь з-під кришки HDL (9).
- ◆ Пропустіть нову волосінь (20) через отвір (27) з обох боків кришки HDL.
- ◆ Встановіть центральну втулку (28) у вказане положення (мал. P).
- ◆ Встановіть кришку HDL на місце.

Попередження! Використовуйте лише відповідну ріжучу волосінь компанії Black & Decker.

Заміна шнура живлення (тільки для Великобританії та Ірландії)

Якщо нові шнури живлення мають бути прилаштовані:

- ◆ Зніміть стару вилку та утилізуйте її, дотримуючись правил техніки безпеки.
- ◆ Приєднайте коричневий провідник до активного виходу нової вилки.
- ◆ Приєднайте блакитний провідник до нейтрального виходу.

Попередження! Жоден провідник не повинен бути підключений до клеми заземлення. Дотримуйтеся інструкцій щодо налаштування, що поставляються з якісними вилками. Плавкий запобіжник, що рекомендується: 5 А.

Усунення несправностей

Якщо Вам здається, що Ваш інструмент працює невірно, виконайте інструкції, що наводяться нижче. Якщо Вам не вдалося вирішити проблему, будь ласка, зверніться в регіональний сервісний центр Black & Decker.

Попередження! Перед виконанням операцій, від'єднайте інструмент від мережі живлення.

Інструмент працює повільно

- ◆ Переверіть, що корпус котушки може вільно обертатися. При необхідності обережно прочистіть його.
- ◆ Ріжуча волосінь не повинна бути відмотана більше ніж 11 см від корпусу котушки. Обріжте її при необхідності, щоб вона доходила до леза.

Не працює механізм автоматичної подачі волосіні

- ◆ Утримуйте фіксатори натисненими та витягніть кришку котушки з корпусу.
- ◆ Відмотайте ріжучу волосінь на 11 см від корпусу. Якщо котушка має мало волосіні, встановіть нову котушку з ріжучою волосінню, як описано вище.
- ◆ Вирівняйте фіксатори на корпусі котушки відносно виступів корпусу.
- ◆ Натисніть на кришку, щоб вона встала на своє місце на корпусі.
- ◆ Якщо ріжуча волосінь виступає за лезо, обріжте її так, щоб вона тільки доходила до нього.

Якщо механізм автоматичної подачі волосіні все ж не працює або котушка не прокручується, спробуйте наступне:

- ◆ Обережно прочистіть кришку і корпус котушки.
- ◆ Витягніть котушку і переконайтесь, що важіль рухається вільно.
- ◆ Витягніть котушку і розмотайте ріжучу волосінь, а потім намотайте її знов ретельно, як описано вище. Вставте котушку на місце у відповідності до інструкцій.

Захист навколишнього середовища



Окреме збирання. Цей продукт не можна викидати разом зі звичайним побутовим сміттям.

Якщо якимось ви вирішите, що ваш виріб фірми Black & Decker має бути замінено, або він Вам більше не потрібний, не викидайте його на смітник побутового сміття. Зробіть цей виріб доступним для спеціального збирання.



Окремий збір використаних виробів та упаковки дозволяє повторно переробляти та використовувати матеріали. Переробка повторно використовуваних матеріалів допомагає попередити забруднення навколишнього середовища та зменшує потребу в сировині.

Місцеві законодавчі акти можуть передбачати окремий збір електричного обладнання в муніципальних місцях для збору сміття або продавцями при покупці нового обладнання.

Компанія Black & Decker має можливість для збору та переробки продуктів власного виробництва після закінчення їхнього терміну служби.

Щоб скористатися цією послугою, поверніть виріб компанії в офіційний сервісний центр, які збирають відпрацьовані продукти за наш рахунок.

Ви можете знайти місцезнаходження найближчого до Вас сервісного центру, зв'язавшись з місцевим офісом компанії Black & Decker за адресою, вказаною в цих інструкціях. Крім того, список офіційних сервісних центрів компанії Black & Decker з усіма подробицями нашого післяпродажного обслуговування та контактної інформацією міститься в Інтернеті за адресою: www.2helpU.com.

Технічні дані

	GL7033 (Тип 1)	GL8033 (Тип 1)	GL9035 (Тип 1)
Напруга	230	230	230
Вхідна потужність	700	800	900
Швидкість без навантаження	7000	7000	7000
Вага	3,2	3,2	3,2

Рівень звукового тиску:

Звуковий тиск (L_{pA}) 80 дБ(А), похибка (К) 2 дБ(А),
Звуковий тиск (L_{WA}) 94 дБ(А), похибка (К) 2 дБ(А)

Загальні значення вібрації (векторна сума трьох векторів) згідно з EN 786:

Значення вібрації (a_v) 8,2 м/с², похибка (К) 1,5 м/с²

Заява про відповідність ЄС

ДИРЕКТИВА ДЛЯ МЕХАНІЧНОГО
ОБЛАДНАННЯ
ДИРЕКТИВА ПРО ШУМИ, ЩО ВИНИКАЮТЬ
ПОЗА ПРИМІЩЕННЯМИ



GL7033/GL8033/GL9035

Компанія Black & Decker заявляє, що продукти, описані в розділі "Технічні дані" відповідають: 2006/42/ЕС, EN 60335-1, EN 60335-2-91 2000/14/ЕС, тример для газонів, L ≤ 50 см, Додаток VIII KEMA Quality B.V., Utrechtseweg 310, 6802 ED Arnhem, Нідерланди Ідентифікаційний № уповноваженого органу: 0344

Рівень звукової потужності відповідно до 2000/14/ЕС

(Стаття 12, Додаток III, L ≤ 50 см):

L_{WA} (виміряна звукова потужність) 94 дБ(А)
похибка (К) = 2 дБ(А)

L_{WA} (гарантована звукова потужність) 96 дБ(А)
похибка (К) = 2 дБ(А)

Ці продукти також відповідають Директиві 2004/108/EC і 2011/65/EU.

Для отримання додаткової інформації, будь ласка, зверніться до компанії Black & Decker за наступною адресою або прочитайте інформацію на зворотній стороні цього керівництва. Нижче-підписаний несе відповідальність за упорядкування файлу технічних характеристик та робить цю заяву від компанії Black & Decker.



Кевін Хьюїт (Kevin Hewitt)
Віце-президент
з глобальних розробок
Black & Decker Europe,
210 Bath Road, Slough,
Berkshire, SL1 3YD
Великобританія
17-10-2012

до Вас сервісного центру, зв'язавшись з місцевим офісом компанії Black & Decker за адресою, вказаною в цих інструкціях. Крім того, список офіційних сервісних центрів компанії Black & Decker з усіма подробицями нашого післяпродажного обслуговування та контактною інформацією міститься в Інтернеті за адресою: www.2helpU.com.

Будь ласка, відвідайте наш сайт www.blackanddecker.co.uk, щоб зареєструвати свій новий продукт Black & Decker та отримувати інформацію про нові продукти та спеціальні пропозиції. Для отримання додаткової інформації про торгову марку Black & Decker та наші продукти відвідайте наш сайт за адресою www.blackanddecker.co.uk.

Гарантія

Компанія Black & Decker впевнена в якості своєї продукції та пропонує чудові умови гарантії. Ці гарантійні умови є додатковими та в якійсь мірі підтверджують ваші законні права. Ця гарантія є дійсною на території країн-членів Європейського Союзу та в європейській зоні вільної торгівлі.

Якщо продукт Black & Decker стає несправним через неякісні матеріали, конструкцію або невідповідність вимогам протягом 24 місяці з дня покупки, компанія Black & Decker гарантує заміну несправних деталей, ремонт продуктів, що піддалися зносу, або заміну таких продуктів для забезпечення мінімальних незручностей для споживачів, за винятком випадків, коли:

- ◆ Виріб використовувався в комерційних, професійних цілях та об'ємах;
- ◆ Продукт використовувався не за призначенням або не обслуговувався;
- ◆ Продукт зазнав механічних пошкоджень, викликаних зовнішніми предметами, речовинами або іншим впливом;
- ◆ Продукт намагалися відремонтувати особи, які не є працівниками офіційного сервісного центру або персоналом з ремонту компанії Black & Decker.

Щоб отримати гарантійне обслуговування, вам необхідно надати доказ покупки продавцеві або агенту з ремонту. Ви можете знайти місцезнаходження найближчого

БЛЕК ЕНД ДЕККЕР

гарантійні умови

Шановний покупцю!

1. Вітаємо Вас з покупкою високоякісного виробу компанії Black & Decker та висловлюємо Вам свою вдячність за Ваш вибір.
- 1.1. Надійна робота цього виробу на протязі всього терміну експлуатації є предметом особливої турботи наших сервісних служб. У випадку виникнення будь-яких проблем в процесі експлуатації виробу ми рекомендуємо Вам звертатися лише до авторизованих сервісних організацій, адреси та телефони яких Ви зможете знайти в Гарантійному талоні або дізнатися в магазині.
Наші сервісні центри – це не тільки кваліфікований ремонт, але і широкий вибір запчастин та аксесуарів.
- 1.2. При купівлі виробу вимагайте перевірки його комплектності та справності за Вашої присутності, наявності інструкції з експлуатації та заповненого Гарантійного талону на українській мові. За умови відсутності у Вас правильно заповненого Гарантійного талону ми будемо вимушені відхилити Ваші претензії щодо якості цього виробу.
- 1.3. Щоб уникнути всіх непорозумінь наполегливо просимо Вас перед початком роботи з виробом уважно ознайомитись з інструкцією щодо його експлуатації.
- 1.4. Звертаємо Вашу увагу на виключно побутове призначення цього виробу.
2. Правовою основою даних гарантійних умов є діюче Законодавство та, зокрема, Закон "Про захист прав споживачів".
3. Гарантійний термін на даний виріб складає 24 місяці та починається з дня продажу через роздрібну торгову мережу. У випадку усунення недоліків виробу гарантійний термін подовжується на період, протягом якого виріб не використовувався.
4. Термін служби виробу - 5 років (мінімальний, встановлений у відповідності до Закону "Про захист прав споживачів").
5. Наші гарантійні зобов'язання поширюються тільки на несправності, виявлені протягом гарантійного терміну та обумовлені виробничими та конструктивними факторами.
6. Гарантійні зобов'язання не поширюються:
 - 6.1. На несправності виробу, що виникли в результаті:
 - 6.1.1. Недотримання користувачем вказівок інструкції з експлуатації виробу.
 - 6.1.2. Механічних пошкоджень, викликаних зовнішнім ударним або іншим впливом.
 - 6.1.3. Використання виробу в професійних цілях та об'ємах, в комерційних цілях.
 - 6.1.4. Застосування виробу не за призначенням.
 - 6.1.5. Стихійного лиха.

- 6.1.6. Неприятливому атмосферному та інших зовнішніх впливах на виріб, таких як дощ, сніг, підвищена вологість, нагрів, агресивні середовища, невідповідність параметрів електромережі параметрам, вказаним на інструменті.
- 6.1.7. Використання аксесуарів, витратних матеріалів та запчастин, які не рекомендовані або не схвалені виробником.
- 6.1.8. Проникнення всередину інструменту сторонніх предметів, комах, матеріалів або речовин, що не є відходами, які супроводжують використання інструменту за призначенням, наприклад, стружки, опилки та ін.
- 6.2. На інструменти, що були відкриті, піддані ремонту або модифікації поза уповноваженим сервісним центром.
- 6.3. На приналежності, запчастини, що вийшли з ладу внаслідок нормального зносу, та витратні матеріали, такі як, приводні ремені, вугільні щітки, ножі, та ін.
- 6.4. На несправності, які виникли в результаті перевантаження інструменту, що призвело до виходу з ладу електродвигуна або інших вузлів та деталей. До безумовних ознак перевантаження виробу належать, зокрема: поява кольорів мінливості, деформація або оплавлення деталей та вузлів виробу, потемніння або обвуглювання ізоляції дротів електродвигуна під впливом високої температури.



Блек енд Декер ГмБХ,
Блек енд Декер Штрассе, 40,
65510 Ідштайн, Німеччина.

03 червня 1999 р.

Kullanım amacı

Black & Decker misinalı çim kesme makinesiz bahçenizdeki çim kenarlarının kesilmesi ve düzeltilmesi, ayrıca dar alanlardaki çimlerin kesilmesi için tasarlanmıştır. Bu alet sadece hafif hizmet ve hobi kullanımı içindir.

Güvenlik talimatları

Uyarı! Elektrikli aletlerle çalışırken yangın oluşma riski, elektrik çarpması, kişilerin yaralanması ve maddi zararları önlemek için burada belirtilen güvenlik talimatlarına uyulmalıdır.

Uyarı! Aleti kullanırken güvenlik talimatlarına uyulmalıdır. Aleti çalıştırmadan önce, kendi güvenliğinizi ve çalışma alanından geçen kişilerin güvenliği için lütfen bu talimatları okuyun. Lütfen kullanma kılavuzunu sonraki kullanımlar için güvenli bir şekilde saklayın.

- ◆ Aletle çalışmaya başlamadan önce bu kılavuzu dikkatlice okuyun.
- ◆ Kullanım amacı bu kullanım kılavuzunda açıklanmıştır. Bu aletle, kullanım kılavuzunda belirtilenler dışında herhangi bir aksesuar ya da elemanın kullanılması veya herhangi bir işlemin gerçekleştirilmesi kişisel yaralanma riskine yol açabilir.
- ◆ Kılavuzu, ileride kullanabilmeniz için saklayın.

Aletin kullanımı

Aleti kullanırken her zaman dikkatli olun.

- ◆ Her zaman koruyucu gözlük takın.
- ◆ Çocukların veya bu talimatları bilmeyen kişilerin aleti kullanmasına izin vermeyin.
- ◆ Çocukların veya hayvanların çalışma alanına yaklaşmasına veya alete ya da elektrik kablo-suna dokunmasına izin vermeyin.
- ◆ Alet çocukların yanında kullanıldığında yakın gözetim gerekmektedir.
- ◆ Bu alet genç veya kuvvetsiz kişilerin gözetimsiz kullanmaları için tasarlanmamıştır.
- ◆ Bu alet oyuncak olarak kullanılamaz.
- ◆ Aleti yalnızca gün ışığında veya iyi bir aydınlatma altında kullanın.
- ◆ Aleti, sadece kuru alanlarda kullanın. Aletin ıslanmasına izin vermeyin.
- ◆ Aleti suya batırmayın.
- ◆ Gövde muhafazasını açmayın. Aletin içinde bakım kullanıcı tarafından yapılabilecek herhangi bir parça yoktur.
- ◆ Aleti, yanıcı sıvılar, gazlar ve tozların bulunduğu yerler gibi yanıcı ortamlarda çalıştırmayın.
- ◆ Fişler veya kabloların hasar görme riskini azaltmak için fişi prizden çıkartmak istediğinizde asla kablodan tutarak çekmeyin.

Diğer kişilerin güvenliği

- ◆ Bu alet fiziksel ve zihinsel kapasitesinin yanı sıra algılama gücü azalmış olan veya yeterince deneyim ve bilgisi bulunmayan kişiler (çocuklar dahil) tarafından kullanılmak üzere üretilmemiştir. Bu tür kişiler aleti ancak güvenliklerinden sorumlu bir kişi tarafından cihazın kullanımıyla ilgili talimatların verilmesi veya sürekli kontrol altında tutulması durumunda kullanabilir.
- ◆ Çocuklar, aletle oynamalarının önlemek amacıyla kontrol altında tutulmalıdır.
- ◆ Aleti etrafta insanlar, özellikle çocuklar veya evcil hayvanlar varken kesinlikle kullanmayın.

Diğer tehlikeler

Aletin kullanımıyla ilgili ekte sunulan güvenlik uyarılarına dahil olmayan ilave kalıcı riskler ortaya çıkabilir. Bu riskler, hatalı, uzun süreli kullanım vb. dolayısıyla ortaya çıkabilir.

Emniyet tedbirlerini düzenleyen yönetmeliğin uygulanmasına ve emniyet sağlayıcı aygıtların kullanılmasına rağmen, başka belirli risklerden kaçınılamaz. Bunlar:

- ◆ Aletin dönen ve hareket eden parçalarına dokunma sonucu ortaya çıkan yaralanmalar.
- ◆ Herhangi bir parçayı, bıçak veya aksesuarı değiştirirken ortaya çıkan yaralanmalar.
- ◆ Aletin uzun süreli kullanılması sonucu ortaya çıkan yaralanmalar. Herhangi bir aleti uzun sürelerle kullanacaksanız düzenli olarak çalışmanıza ara verin.
- ◆ Duyma bozukluğu.
- ◆ Aleti kullanırken ortaya çıkan tozun solunması sonucu ortaya çıkan sağlık sorunları (örnek: aşıpıda çalışırken, özellikle meşe, akçürgen ve MDF).

Kullanımdan sonra

- ◆ Aletler, kullanılmadıkları zamanlarda kuru, iyi havalandırılmalı ve çocukların ulaşamayacağı yüksek bir yerde saklanmalıdır.
- ◆ Çocuklar, aletin saklandığı yere erişmemelidir.
- ◆ Alet bir araç içinde saklanırken veya taşınırken, ani hız veya yön değişikliklerinde hareket etmesini önlemek için bagaja koyulmalı veya sabitlenmelidir.

İncelemeler ve tamiratlar

- ◆ Alet üzerinde herhangi bir kontrol, temizlik veya işlem yapmadan önce aleti fişten çekin.
- ◆ Kullanmadan önce alette hasarlı veya kusurlu parça olup olmadığını kontrol edin. Parçalardaki kırılmaları ve aletin çalışmasını etkileyebilecek tüm diğer koşulları kontrol edin.

TÜRKÇE

- ◆ Herhangi bir parçası hasarlı veya kusurlu ise aleti kullanmayın.
- ◆ Hasarlı veya kusurlu parçaların Black & Decker yetkili servisinde onarılmasını veya değiştirilmesini sağlayın.
- ◆ Bu kılavuzda belirtilenler dışında hiçbir parçayı sökmeye veya değiştirmeye çalışmayın.

Uzatma kablolarının kullanımı

Daima bu aletin elektrik girişine uygun (teknik özelliklerine bakın), onaylı bir uzatma kablosu kullanın. Uzatma kablosu açık havada kullanıma uygun ve buna göre işaretlenmiş olmalıdır. 30 m'ye kadar 1,5 mm² iletken ebatlı HO5VV-F uzatma kablosu, güç kaybı yaşanmadan kullanılabilir. Kullanmadan önce, uzatma kablosunda hasar, aşınma veya eskime olup olmadığını kontrol edin. Hasarlı veya kusurlu ise, uzatma kablosunu değiştirin. Bir kablo makarası kullanırken, kabloyu daima sonuna kadar açın.

Çim kesme makineleri için ek güvenlik talimatları

Uyarı! Motor kapatıldıktan sonra kesim elemanları dönmeye devam eder.

- ◆ Aletin kumandalarını ve uygun şekilde kullanımını öğrenin.
- ◆ Kullanmadan önce, şebeke kablosunda ve uzatma kablosunda hasar, aşınma veya eskime olup olmadığını kontrol edin. Kablo kullanım sırasında hasar görmüşse, kabloyu derhal fişten çekin. **KABLOYU FİŞTEN ÇEKMEYEN ÖNCE KABLOYA DOKUNMAYIN.**
- ◆ Kablo hasarlı veya yıpranmış ise aleti kullanmayın.
- ◆ Ayaklarınızı korumak için sağlam ayakkabılar veya botlar giyin.
- ◆ Bacaklarınızı korumak için uzun pantolon giyin.
- ◆ Aleti kullanmadan önce, kesim yolunuzda çalı parçaları, taşlar, tel ve başka herhangi bir engel olup olmadığını kontrol edin.
- ◆ Aleti, sadece dik konumda ve misina yere yakın olarak kullanın. Aleti kesinlikle başka hiçbir konumda açmayın.
- ◆ Aleti kullanırken yavaş hareket edin. Yeni kesilmiş çimin nemli ve kaygan olduğunu unutmayın.
- ◆ Dik eğimlerde çalışmayın. Yukarı ve aşağı doğru değil, eğim yüzeyi boyunca çalışın.
- ◆ Alet çalışır durumdayken kesinlikle çakıllı patikalardan veya yollardan geçmeyin.
- ◆ Alet çalışırken hiçbir zaman misinaya dokunmayın.
- ◆ Misina tamamen durmadan aleti yere koymayın.

- ◆ Daima uygun tipte misina kullanın. Kesinlikle metal kesim ipi veya balık misinası kullanmayın.
- ◆ Misina kesim bıçağına kesinlikle dokunmayın.
- ◆ Şebeke kablosunu misinadan uzak tutmaya dikkat edin. Kablonun konumuna daima dikkat edin.
- ◆ Ellerinizi ve ayaklarınızı, özellikle motoru çalıştırırken misinadan daima uzakta tutun.
- ◆ Aleti kullanmadan önce ve herhangi bir darbeden sonra, aşınma veya hasar olup olmadığını kontrol edin ve gerekirse tamir ettirin.
- ◆ Siperlik zarar gördüğünde veya yerine takılı olmadığında hiçbir zaman aleti çalıştırmayın.
- ◆ Çim kesme için misinayla çalışan aletlerde misina uzunluğundan dolayı meydana gelebilecek yaralanmalara karşı önlem alın. Misinayı uzattıktan sonra, çalıştırmadan önce aleti her zaman normal çalışma konumuna getirin.
- ◆ Havalandırma deliklerinde herhangi bir birikinti olmadığından daima emin olun.
- ◆ Kablo hasarlı veya yıpranmış ise çim kesme makinesini kullanmayın.
- ◆ Uzatma kablosunu kesim elemanlarından uzak tutmaya dikkat edin.

Alet üzerindeki etiketler

Alet üzerinde, aşağıdaki uyarı sembolleri bulunmaktadır:



Aleti kullanmadan önce kullanım kılavuzunu okuyun.



Bu aleti kullanırken koruyucu gözlük kullanın.



Aletle çalışırken kulaklık takın.



Hasarlı bir kabloyu incelemeyen önce her zaman fişi prizden çekin. Eğer kablo hasarlıysa misinalı çim kesme makinesini kullanmayın.



Uçan nesnelere kaçının. Etraftaki kişileri kesme alanından uzakta tutun.



Aleti yağmura ve yüksek neme maruz bırakmayın.



2000/14/EC Direktifine göre garantili ses basıncı düzeyi.

Elektrik güvenliği



Bu alet çift yalıtımlıdır; Bu yüzden hiçbir topraklama kablosuna gerek yoktur. Her zaman şebeke geriliminin aletin üretim etiketinde belirtilmiş değerlere uyup uymadığını kontrol edin.

- ◆ Elektrik kablosu hasarlı ise, bir tehlike oluşmasını önlemek için üretici ya da yetkili Black & Decker Servis Merkezi tarafından değiştirilmelidir.
- ◆ Elektrik güvenliği, yüksek duyarlılıklı 30mA bir artık akım cihazı (RCD) kullanılarak daha da artırılabilir.

Özellikler

bu alet, aşağıdaki özelliklerin bir kısmını veya tümünü içermektedir.

1. Açma/kapama düğmesi
2. Tutma kolu
3. Kablo tutucu
4. Güç girişi
5. İkinci tutma kolu
6. Ayarlama düğmesi
7. Gövde borusu
8. Yedek makara saklama yeri
9. HDL makara
10. Siperlik
11. Misina düzeltme bıçağı
12. Makara muhafazası
13. Misina
14. Kenar kesme kılavuz tekerleği

Montaj

Uyarı! Montajdan önce aletin kapalı ve fişinin çekilmiş olduğundan emin olun.

Siperliğin takılması (Şekil A ve B)

- ◆ Vidayı (15) siperlikten (10) sökün.
- ◆ Siperliği (10) gösterildiği gibi aletin üzerine yerleştirin.
- ◆ Yerine yerleşene kadar siperliği sıkıca bastırın.
- ◆ Siperliği vidayla sabitleyin.
- ◆ Vidayı sıkın.

Uyarı! Aleti, siperlik uygun şekilde takılı değilken kesinlikle kullanmayın.

İkinci tutma kolunun takılması (Şekil C)

- ◆ Aletin ana gövdesinin kenarındaki ayarlama düğmesini (6) içeri doğru basılı tutun.
- ◆ İkinci tutma kolunu (5) ayarlama düğmesinin (6) üzerine doğru kaydırarak geçirin.

Uyarı! Düğme üzerindeki dişlerin tutma kolundaki yuvalarla doğru şekilde hizalandığından ve tutma kolunun güvenli bir şekilde takıldığından emin olun.

İkinci tutma kolunun pozisyonunun ayarlanması (Şekil D)

İkinci tutma kolu (5) en uygun denge ve konforu sağlamak üzere ayarlanabilir.

- ◆ Kolun sol tarafındaki ayarlama düğmesine (6) basın.
- ◆ İkinci kolu (5) istediğiniz konuma çevirin.
- ◆ Ayarlama düğmesini (6) bırakın.

Uyarı! Düğmeler üzerindeki dişlerin tutma kolundaki yuvalarla doğru şekilde hizalandığından ve tutma kolunun güvenli bir şekilde takıldığından emin olun.

Aletin yüksekliğinin ayarlanması (Şekil E ve F)

Bu alet, en rahat çalışabildiğiniz yüksekliğe göre ayarlanmaya olanak veren teleskopik bir mekanizmaya sahiptir. Birden fazla yükseklik ayarı bulunur. Yükseklik ayarını yapmak için aşağıdaki işlemleri uygulayın:

- ◆ Yükseklik ayarlama kilitime kolunu (16) kaldırın.
- ◆ Boruyu (7) dışarı doğru yavaşça istediğiniz yüksekliğe çekin.
- ◆ Yükseklik ayarlama kilitime kolunu (16) kapatın.

Misininin çıkartılması

Misina, makara muhafazasına bantlanmıştır.

- ◆ Misinayı makara muhafazasına (12) yapıştırılan bandı çıkartın.

Kullanılmayan makaranın saklanması (Şekil G)

Alet iki kesme sistemine sahiptir:

- ◆ **AFS:** Otomatik tek misina sistemi normal çim kesme ve kenar kesme için.
- ◆ **HDL:** Ağır hizmet tipi çift misina sistemi çimi fazla uzamış alanlar için.

Not: HDL makarası sadece normal çim kesme modunda kullanılabilir.

Kullanılmayan kesme sistemi ek makara saklanma yerinde saklanabilir (Sadece GL8033 ve GL9035).

- ◆ Makara kapağındaki tırnakları (17) saklama yerindeki (8) deliklerle (18) hizalayın.
- ◆ Kapağı, güvenli bir şekilde yerine geçene kadar saklama yerinin üzerine bastırın.

Aletin şebeke elektriğine bağlanması (Şekil H)

- ◆ Uygun bir uzatma kablosunun dişi fişini güç girişine (4) takın.
- ◆ Kabloyu kablo tutucusundan (3) geçirin.
- ◆ Şebeke fişini bir şebeke prizine takın.

Hazır bağlantılı kabloya sahip aletler için: Fişi şebeke prizine takmadan önce kablonun kablo tutucudan geçirildiğinden emin olun.

Uyarı! Uzatma kablosu açık havada kullanıma uygun olmalıdır.

Kullanımı

Uyarı! Aletin kendi hızında çalışmasına izin verin. Aşırı yüklenmeyin.

Aletin normal kesme veya kenar kesme moduna getirilmesi (Şekil I ve J)

Alet, şekil I'de gösterildiği gibi normal kesme modunda veya şekil J'de gösterildiği gibi bahçenin kenarlarından ve çiçek yataklarından sarkan çimleri kesmek için kenar kesme modunda kullanılabilir.

Kesme modu (Şekil I)

Normal kesme modu için, kesim kafası şekil I'de gösterilen konumda olmalıdır. Değilse:

- ◆ Yükseklik ayarlama kilitlime kolunu (16) bırakın.
- ◆ Boruyu (7) saat yönünde döndürün.
- ◆ Kesim kafası ilgili konuma geldiğinde yükseklik ayarlama kilitlime kolunu (16) kapatın.

Not: Gövde borusu yalnızca tek bir yönde dönecektir.

Not: HDL makarası sadece normal çim kesme modunda kullanılabilir.

Kenar kesme modu (Şekil J)

Kenar kesme modu için, kesim kafası şekil J'de gösterilen konumda olmalıdır. Değilse:

- ◆ Yükseklik ayarlama kilitlime kolunu (16) bırakın.
- ◆ Boruyu (7) saatin ters yönünde döndürün.
- ◆ Kesim kafası ilgili konuma geldiğinde yükseklik ayarlama kilitlime kolunu (16) kapatın.

Not: Gövde borusu yalnızca tek bir yönde dönecektir.

Açılması ve kapatılması

- ◆ Aleti açmak için, açma/kapama düğmesine (1) basın.
- ◆ Aleti kapatmak için açma/kapama düğmesini bırakın.

Uyarı! Açma/kapama düğmesini kesinlikle açık konumda kilitlemeye çalışmayın.

En uygun kullanım için yararlı tavsiyeler

Genel

- ◆ En uygun kesim sonuçları elde etmek için, sadece kuru çim kesin.

Kesme

- ◆ Aleti şekil K'de gösterildiği gibi tutun.
- ◆ Çim kesme makinesini yavaşça bir taraftan diğer tarafa doğru sallayın.
- ◆ Uzun çimleri keserken, yukarıdan aşağı kademelerle çalışın. Küçük kesimler yapın.

- ◆ Aleti sert nesnelere ve hassas bitkilerden uzak tutun.
- ◆ Eğer kesme döşeme veya diğer aşındırıcı malzemeler boyunca yapılırsa veya kalın yabancı otlar kesilirse misina daha çabuk aşınacak ve daha fazla besleme gerekecektir.
- ◆ Alet yavaşlarsa, yükü azaltın.

Kenar kesme

En uygun kesim sonuçları 50 mm'den derin kenarlarda elde edilmektedir.

- ◆ Aleti, kenar oluşturmak için kullanmayın. Kenar oluşturmak için bir bahçıvan küreği kullanın.
- ◆ Aleti Şekil L'de gösterildiği gibi kılavuz tekerleği üzerinde yönlendirin.
- ◆ Daha yakın bir kesim yapabilmek için aleti hafife eğin.

Yeni bir misina makarasının takılması (Şekil M ve N)

Yedek misina makaralarını Black & Decker bayiinizden temin edebilirsiniz (kat. no. A6482). Üç misina makarası içeren paketler de bulunmaktadır (kat. no. A6486).

- ◆ Aletin fişini çekin.
- ◆ Tırnakları (17) basılı tutup makara kapağını (21) muhafazadan (12) çıkartın (Şekil M).
- ◆ Boş makarayı (22) makara kapağından çıkartın.
- ◆ Makara kapağı ve muhafazadaki tüm kir ve çimi temizleyin.
- ◆ Diğer misinanın ucunu açın ve misinayı hal-kadan (23) geçirin (Şekil M). Misina makara kapağından yaklaşık 11 cm dışarı çıkmalıdır.

Not: Makara üzerinde misinanın çözülmesine izin vermemeye özen gösterin. Her zaman bir elinizle sıkıca tutun.

- ◆ Yeni makarayı alın ve makara kapağının içindeki göbeğin üzerine bastırın. Makarayı yerine oturana kadar hafife döndürün.
- ◆ Makara kapağındaki tırnakları (17) muhafazadaki (12) deliklerle (24) hizalayın.
- ◆ Kapağı, güvenli bir şekilde yerine geçene kadar muhafazanın üzerine bastırın.

Uyarı! Misina düzeltme bıçağının (11) ötesine uzuyorsa misinayı sadece bıçağa ulaşacak şekilde kesin.

Yeni bir ağır hizmet tipi misina parçasının takılması (Şekil O ve P)

10 adet ağır hizmet tipi misina yedek paketlerini Black & Decker bayiinizden temin edebilirsiniz (kat. no. A6489). Misinanın yeni parçasını takmak için, aşağıdaki talimatları uygulayın:

- ◆ Aletin fişini çekin.

- ◆ Tırnakları (17) basılı tutup HDL makara kapağını (9) muhafazadan (12) çıkartın.
- ◆ HDL makara kapağı (9) ve muhafazadaki tüm kir ve çimi temizleyin.
- ◆ HDL makara kapağından (9) kullanılmış misina parçasını çıkartın.
- ◆ HDL makara kapağının her iki tarafında bulunan deliklerden (27) yeni bir misina parçasını (20) geçirin.
- ◆ Orta bilezik halkasını (28) belirtilen yere yerleştirin (Şekil P).
- ◆ HDL makara kapağını yerine takın.

Uyarı! Yalnızca uygun tipte Black & Decker misina kullanın.

Arıza giderme

Aletinizin düzgün çalışmadığını düşünüyorsanız aşağıdaki talimatları izleyin. Bu, sorunu çözmezse lütfen en yakın Black & Decker yetkili servisiyle temas kurun.

Uyarı! Devam etmeden önce aleti kapatıp fişini çekin.

Alet çok yavaş çalışıyor

- ◆ Makara muhafazasının rahatça dönüp dönmediğini kontrol edin. Gerekirse dikkatli bir şekilde temizleyin.
- ◆ Misinanın, makara muhafazasından 11 cm'den fazla çıkıp çıkmadığını kontrol edin. Çıkıyorsa, sadece misina düzeltme bıçağına ulaşacak şekilde kesin.

Otomatik misina sistemi çalışmıyor

- ◆ Tırnakları basılı tutup makara kapağını muhafazadan çıkartın.
- ◆ Misinayı muhafazadan 11 cm çıkana kadar çekin. Makarada yeterince misina kalmamışsa, yukarıda belirtildiği gibi yeni bir misina makarası takın.
- ◆ Makara kapağındaki tırnakları muhafazadaki deliklerle hizalayın.
- ◆ Kapağı, güvenli bir şekilde yerine geçene kadar muhafazanın üzerine bastırın.
- ◆ Misina düzeltme bıçağının ötesine uzuyorsa misinayı sadece bıçağa ulaşacak şekilde kesin.

Otomatik misina sistemi hala çalışmıyorsa veya makara sıkışmışsa aşağıdaki önerileri deneyin:

- ◆ Makara kapağını ve muhafazayı dikkatli bir şekilde temizleyin.
- ◆ Makarayı çıkartın ve kolun serbestçe hareket etmediğini kontrol edin.
- ◆ Makarayı çıkartın ve misinayı çözün, ardından yukarıda açıklandığı gibi düzenli bir şekilde geri sarın. Makarayı belirtildiği gibi yerine yerleştirin.

Çevrenin korunması



Ayrı olarak atın. Bu ürün, normal evsel atıklarla birlikte atılmamalıdır.

Black & Decker ürününüzün değiştirilmesi gerektiğini düşünmeniz veya artık kullanılamaz durumda olması halinde onu, evsel atıklarla birlikte atmayın. Bu ürünü, ayrı olarak toplanacak şekilde atın.



Kullanılmış ürünlerin ve ambalajların ayrı olarak toplanması bu maddelerin geri dönüşüme sokularak yeniden kullanılmasına olanak tanır. Geri dönüşümlü maddelerin tekrar kullanılmasına çevre kirliliğinin önlenmesine yardımcı olur ve ham madde ihtiyacını azaltır.

Yerel yönetmelikler, elektrikli ürünlerin evlerden toplanıp belediye atık tesislerine aktarılması veya yeni bir ürün satın alırken perakende satıcı tarafından toplanması yönünde hükümler içerebilir.

Black & Decker, hizmet ömrünün sonuna ulaşan Black & Decker ürünlerinin toplanması ve geri dönüşüme sokulması için bir imkan sunmaktadır. Bu hizmetin avantajlarından faydalanmak için, lütfen, ürününüzü bizim adımıza teslim alacak herhangi bir yetkili servise iade edin.

Bu kılavuzda belirtilen listeden size en yakın yetkili tamir servisinin yerini öğrenebilirsiniz. Ya da, alternatif olarak internet'ten Black & Decker yetkili tamir servislerinin listesini ve satış sonrası hizmetlerimizle ilgili tüm bilgiler ve temas bilgilerine aşağıdaki siteden ulaşabilirsiniz. www.2helpU.com.

Teknik özellikleri

	GL7033 (Tip 1)	GL8033 (Tip 1)	GL9035 (Tip 1)
Voltaaj	V _{AC} 230	230	230
Giriş gücü	W 700	800	900
Yüksüz hızı	dev/dak. 7000	7000	7000
Ağırlık	kg 3,2	3,2	3,2

EN 60704'e göre ses basıncı düzeyi:

Ses basıncı (L_{pA}) 80 dB(A), belirsizlik (K) 2 dB(A),
Akustik güç (L_{WA}) 94 dB(A), belirsizlik (K) 2 dB(A)

EN 786'e göre tespit edilen toplam titreşim değerleri (üç yönün vektör toplamı):

Titreşim emisyon değeri (a_w) 8,2 m/s², belirsizlik (K) 1,5 m/s²

AT Uygunluk Beyanati

MAKİNE DİREKTİFİ
DIŞ MEKAN GÜRÜLTÜ DİREKTİFİ



GL7033/GL8033/GL9035

Black & Decker, «teknik özellikleri» bölümünde açıklanan bu ürünlerin aşağıda belirtilen yönergelere uygun olduğunu beyan eder: 2006/42/EC, EN 60335-1, EN 60335-2-91

2000/14/EC, Misinalı çim biçme makinesi, L ≤ 50, Ek VIII

KEMA Quality B.V., Utrechtseweg 310, 6802 ED Arnhem, Hollanda

Onaylanmış kuruluş Kimlik No.: 0344

2000/14/EC'ye göre ölçülen akustik güç düzeyi (Madde 12, Ek III, L ≤ 50 cm):

L_{WA} (akustik güç) 94 dB(A)

Belirsizlik (K) = 2 dB(A)

L_{WA} (garantili) 96 dB(A)

Belirsizlik (K) = 2 dB(A)

Bu ürünler ayrıca 2004/108/EC ve 2011/65/EU Direktiflerine de uygundur.

Daha fazla bilgi için, lütfen aşağıdaki adresten Black & Decker ile irtibata geçin veya kılavuzun arkasına bakın. Bu belge altında imzası bulunan yetkili, teknik dosyanın derlenmesinden sorumludur ve bu beyanı Black & Decker adına vermiştir.

Kevin Hewitt
Başkan Yardımcısı,
Global Mühendislik
Black & Decker Europe,
210 Bath Road, Slough,
Berkshire, SL1 3YD
İngiltere
17-10-2012

Garanti

Black & Decker, ürünün kalitesinden emindir ve bu yüzden kanunlarda belirtilen taleplerin üstünde bir garanti verir. Ayrıca bu garanti hiçbir şekilde garanti ile ilgili kanuni haklarınızı ihlal etmez ve haklarınızı hiç bir şekilde kısıtlanmaz. İşbu garanti Avrupa Birliği'ne üye ülkeler ile Avrupa Serbest Ticaret Bölgesi sınırları dahilinde geçerlidir.

Eğer bir Black & Decker ürünü, satın alma tarihinden itibaren 24 ay içinde hatalı malzeme, işçilik ya da uygunsuzluk nedeniyle bozulursa, müşteriye mümkün olabilecek en az sorunu yaşatarak Black & Decker hatalı kısımları değiştirmeyi, adil bir şekilde aşınmış

ve yıpranmış ürünleri tamir etmeyi veya değiştirmeyi garanti eder. Ancak bu belirtilenler şu durumlar dışında geçerlidir:

- ◆ Ürün ticari veya profesyonel amaçlarla kullanılmışsa veya kiraya verilmişse;
- ◆ Ürün yanlış veya amaç dışı kullanılmışsa;
- ◆ Ürün yabancı nesnelere, maddelere veya kaza sırasında zarar görmüşse;
- ◆ Yetkili tamir servisleri veya Black & Decker servis ekibinden başkası tarafından tamir edilmeye çalışılmışsa.

Garanti talebinde bulunmak için, satıcıya veya yetkili tamir servisine satın aldığınıza dair ispat sunmalısınız. Fatura ve garanti kartı gerekmektedir. Bu kılavuzda belirtilen listeden size en yakın yetkili tamir servisinin yerini öğrenebilirsiniz. Ya da, alternatif olarak internet'ten Black & Decker yetkili tamir servislerinin listesini ve satış sonrası hizmetlerimizle ilgili tüm bilgiler ve temas bilgilerine aşağıdaki siteden ulaşabilirsiniz. www.2helpU.com

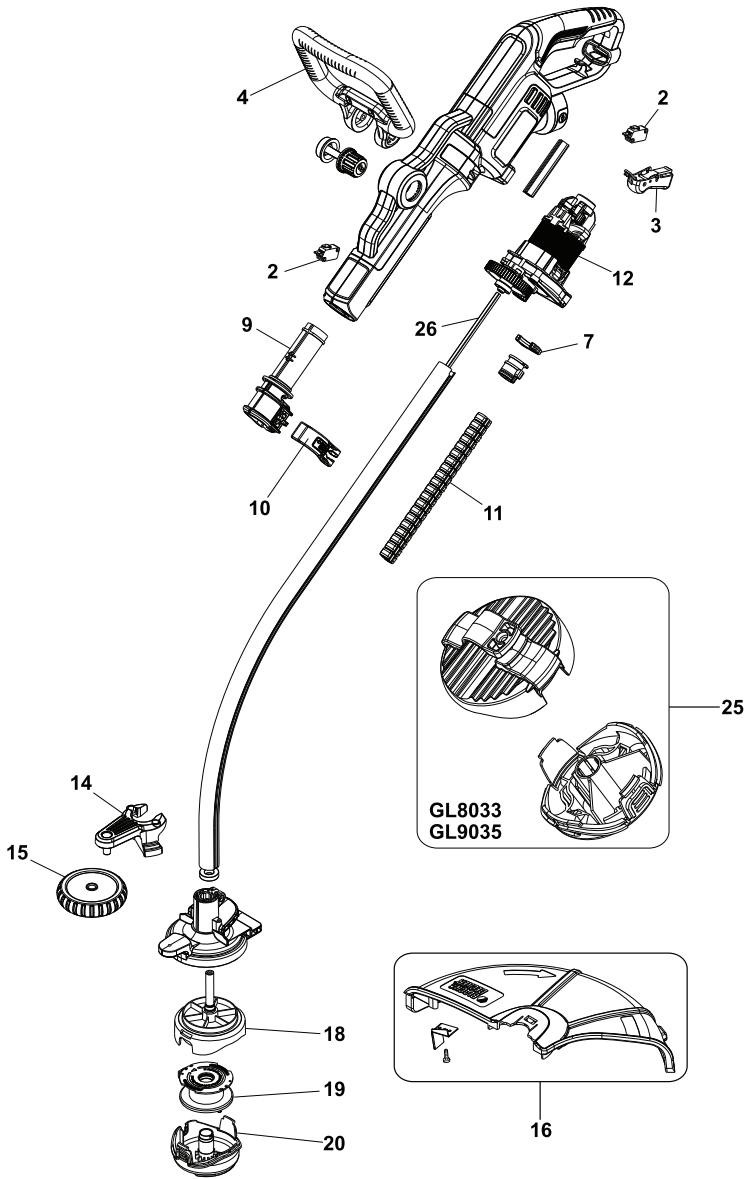
Sanayi ve Ticaret Bakanlığı tebliğince kullanım ömrü 10 yıldır.

Türkiye Distribütörü

KALE HIRDAVAT VE MAKİNA A.Ş.
Defterdar Mah. Savaklar Cad. No. 15
34050 Edirnekapı Eyüp İstanbul
Tel: (0212) 533 52 55 (Pbx)
Faks: (0212) 533 10 05
E-posta: info@kalemakina.com

Şehir	Yetkili Servis	Adres	Telefon
1 Adana	Emin Elektrik Bobinaj	Kızılay Cad. 9 Sok. No: 9/D	0322 351 80 46
2 Afyon	Emek Motor	Karaman Mah. Gazlı Göl Cad. No: 15	0272 212 11 14
3 Ağr	Tamgüç Bobinaj	Kağızman Cad. No: 42	0472 215 70 41
4 Amasya	Akotelek Ticaret	Yeniöl Cad. No: 85	0358 218 71 19
5 Ankara	Orhan Bobinaj	Yalınç Sok. No: 17 Sitelet	0312 350 95 29
6 Ankara	Orhan Bobinaj Şube	41. Sok. No: 39 Ostim	0312 385 92 92
7 Ankara	Yığıt Bobinaj	668. Sok. No: 8 Eminel Koop. İvedik Ostim	0312 395 05 37
8 Ankara	Başak Elektrik	Ahievran Cad. 36. sok. No: 2 Ostim	0312 386 20 84
9 Antalya	E.Ş.A Elektrik	San. Sit. 682. Sok No: 38	0242 345 36 22
10 Antalya	Yaşar Bobinaj	Aşağı Pazarcı Mah. San. Girişi No: 19 Manavgat	0242 742 44 07
11 Antalya	Uslu Bobinaj	G. Pınarı Mah. Oba Yolu Üzeri no: 27/C Alanya	0242 511 57 01
12 Aydın	Tacıroğlu Kaya Bobinaj	1.San. Sit. Üst San. Cad. 2. Sok. No: 31/A	0256 212 70 48
13 Aydın	Saydam Motor	Küçük San. Sit. Çubukçu Sok. No: 2/B Söke	0256 512 81 91
14 Aydın	Özgür Bobinaj	Kuşadası San. Sit. j Blok no:13 Kuşadası	0256 622 1373
15 Aydın	Ege Bobinaj	Yeni Mah Atatürk Bul. No:206/E Didim	0256 811 05 95
16 Balıkesir	Tezger Bobinaj	Yeni San. Sit. Cumhuriyet Cad. 198/A	0266 246 23 01
17 Balıkesir	Küre Bobinaj	Atatürk Cad. No: 104 Bandırma	0266 718 46 79
18 Batman	Topız Bobinaj	Cumhuriyet Cad. 1512 Sok. No: 50	0488 214 87 70
19 Bolu	Kilitçi Ticaret	Aşağı Soku San. Sit. 37.Blok No:16	0374 215 43 64
20 Bursa	Vokart Ltd. Şti.	Gazlılar Cad. Erikli Bahçe Sok. No: 7/B	0224 254 48 75
21 Çanakkale	Kısacık Bobinaj	Namık Kemal Mah. Kaynak Sok. No: 41	0286 217 96 71
22 Çanakkale	Ovalı Bobinaj	Hamdiyeh Mah. İstiklal Cad. No: 160 Biga	0286 316 49 66
23 Çorum	Emek Bobinaj	Küçük San. Sit. 23. Cad No: 5/C	0364 234 68 84
24 Denizli	Örsler Bobinaj	Sedef Çarşısı 9/10	0258 261 42 74
25 Diyarbakır	Çetsan Elektrik	San. Sit. Karakol Sok. No: 1	0412 237 29 04
26 Düzce	Yıldız Makina	Burhaniye Mah. Gen. Kazım Sok. No: 10	0380 514 70 56
27 Edirne	Efe Bobinaj	Küçük San. Sit. 22. Blok	0284 225 35 73
28 Edirne	Demir Bobinaj	San. Sit. 7. Blok No: 3 Keşan	0284 714 38 26
29 Elazığ	Kalender Elektrik Bobinaj	San. Sit. 11. Sok No: 46	0424 224 85 01
30 Erzurum	Ümit Elektrik Makina	San. Çarşısı 770 Sok. No: 71	0446 224 08 01
31 Erzurum	Bursan Bobinaj	San. Sit. 5. Blok No: 135	0442 242 77 28
32 Eskişehir	Escorm Elektronik	Kırmızı Toprak Mah. Ali Fuat Güven Cad. No 31/A	0222 224 15 30
33 Gaziantep	Eser Bobinaj	K.S.S.A Blok 11. Cad.25. Ada No: 55 Ş.Kamil	0342 235 50 84
34 Gaziantep	Karaşahin Bobinaj	İsmet Paşa Mah. Şenyurt Cad. No: 35	0342 231 17 53
35 Hatay	Öz Kardeş Bobinaj	Yeni San. Sit. 38/A Blok No: 34	0326 221 22 91
36 Isparta	İzmir Bobinaj	Yeni San. Sit. 6 Blok No: 28	0246 223 70 11
37 İstanbul	Akel El. Servis Hizmetleri	Nato Yolu Caddesi Özgün Sok No: 1 Y.Dudullu	0216 540 53 55
38 İstanbul	Birik Elektromekanik	Perpa Tic. Mer. B Blok Mavi Avlu Kat.4 No: 318 Okmeydanı	0212 222 94 18
39 İstanbul	Fırat Dış Ticaret	Tersane Cad. Kuthan No: 38 Kat 3 Karaköy	0212 252 93 43
40 İstanbul	Kardeşler Bobinaj	Çağlayan Mah. Sinanpaşa Cad.No: 5 Çağlayan	0212 224 97 54
41 İstanbul	Mert Elektrik	İkitemli Org. Demirciler San. Sit. D-2 Blok No: 280 İkitemli	0212 549 65 78
42 İstanbul	Svs Teknik	İstasyon Cad. Gibtaş San. Sit. F Blok No: 24 Tuzla	0216 446 69 39
43 İstanbul	Tarık Makina	Bağdat Cad. Adalı Sok. No: 8 Maltepe	0216 441 05 59
44 İstanbul	Tekniker Bobinaj	Birik San. Sit. 1. Cad. K.Dükkanlar No: 15 Beylikdüzü	0212 875 17 78
45 İstanbul	Orjinal Elektrik	Bağlar Mah. Mimar Sinan Cad. No:24 Güneşli	0212 515 67 71
46 İzmir	Birik Bobinaj	2824 Sok. No: 18/1. San. Sit. Halkapınar	0232 458 39 42
47 İzmir	Boro Civata	1203/2 Sok. No: 21-B Yenışehir	0232 469 80 70
48 İzmir	Çüneyt Bobinaj	Cüneyt Bey Mah. İbrahim Turan Cad. No 98/A Menderes	0232 782 10 84
49 İzmir	Doruk Hirdavat	1426 Sok. No: 14 Hurdacılar Sitesi Doğanlar Bornova	0232 478 14 12
50 Karaman	Özüm Elektrik Bobinaj	Yeni San. Sit. 735. Sok. No: 2	0338 212 32 69
51 Kastamonu	Teknik Bobinaj	İnönü Mah. Inebolu Cad. No: 132	0366 212 62 26
52 Kayseri	Akın Elektrik Bobinaj	Eski San. Bölgesi 5. Cad. No: 8	0352 336 41 23
53 Kırklareli	Tarık Elektronik	K.İbrahim Mah. M.Kemal Bulvarı No: 72/C	0288 214 19 72
54 Kırklareli	Yalçın Bobinaj	Yeni San. Sit. C3 Blok No:55 Lüleburgaz	0288 412 41 97
55 Kocaeli	Efe Elektrik Bobinaj	Körfez San. Sit. 12. Blok No: 13	0262 335 18 94
56 Kocaeli	Gülsoy Bobinaj	S.Orhan Mah. İlyasbey Cad.1111 Sk No: 5/1 Gebze	0262 646 92 49
57 Kocaeli	Teknik Karot	Gaziler Mah. İbrahimaga Cad. No:125 Gebze	0262 642 79 10
58 Konya	Meb. Murat Elk. Bobinaj	Karatay San. Sit. Fatih Mah. Çiçekli Sok. No: 10	0332 235 64 63
59 Konya	Sözenerler Bobinaj	Fevzi Çakmak Mah. Komsan İş Merkezi Anamur 10562 Sok. No:8	0332 342 63 18
60 Kütahya	Doğan Bobinaj	Yeni San. Sit. 19. Sok: 28/1	0274 231 22 00
61 Malatya	Özer Bobinaj	Yeni San. Sit. 2. Cad. No: 95	0422 336 39 53
62 Manisa	Çavuş Bobinaj	Kurtuluş Mah. Fatih Cad. No: 44/A Soma	0236 614 13 78
63 Manisa	Uslu Bobinaj Ve Makina	Güzelyurt Mah. Kenan Evren San. Sit. 5309 Sok. No: 63/A	0236 236 33 86
64 Mersin	Şekierler Elektrik Bobinaj	Nusratiye Mah. 5005 Sok. No: 20/A	0324 336 70 98
65 Mersin	Üniversal Bobinaj	Nusratiye Mah. Çiftçiler Cad.68 Sok. No: 19	0324 233 44 29
66 Muğla	Bodrum Makina	Türkuyusu Mah.San. Sit. Ethem Demiroz Sok. No: 8 Bodrum	0252 316 28 51
67 Muğla	General Elektrik Bobinaj	Taşyaka Mah. San. Sit. 260. Sok. No: 18 Fethiye	0252 619 28 34
68 Muğla	Başaran Teknik	Beldibi Cad. Sanayi Girişi No: 5/C Marmaris	0252 412 30 29
69 Muğla	Öztürk Bobinaj	Atakent Mah. Çevreyolu Üzeri Dalaman	0252 697 64 98
70 Nevşehir	Çiftçüç Soğutma	Yeni San. Sit. 8. Blok No: 28	0384 213 19 96
71 Niğde	Emek Motor	Eski San. Çarşısı 1.Blok No: 2	0388 232 83 59
72 Sakarya	Enğin Elektrik Bobinaj	Maltepe Mah. Orhan Gazi Cad. Şehit Metin Akkuş Sok. No: 19	0264 291 05 67
73 Samsun	Akış Bobinaj	Ulus Cad.San. Sit. Keresteciler Kısmı No: 40	0362 238 07 23
74 Sivas	Bayraktar Elektrik	Yeni Çarşısı No: 72/C	0346 221 47 55
75 Şanlıurfa	Ay Elektrik	Samsat Kapı Aşağıroğlu Garajı No: 19	0414 215 74 76
76 Tekirdağ	Birkan Teknik	Şeyhsinan Mah. Ş.Pilot.İ.Aksoy Sok. Aksoy Psj. No: 20/7-B ÇORLU	0282 654 50 91
77 Tekirdağ	Çetin Elektrik Bobinaj	100.Yıl San. Sit. 14B Blk. No: 10	0282 263 86 60
78 Tokat	Çetin Elektrik Bobinaj	San. Sit. Camii Altı No: 22	0356 214 63 07
79 Trabzon	Akçay Bobinaj Makina	Yaylaçık Mah.Tosun San Sit No: 3 Akçaabat	0462 222 54 26
80 Trabzon	Makina Market	Rize Cad. No: 71 Değirmendere	0462 328 14 80
81 Uşak	Zengin Bobinaj	İsice Mah. Ürem Sok. No: 10/C	0276 227 27 46
82 Van	Özen Elektrik Bobinaj	Algeçik Pasajı No: 41	0432 214 22 20
83 Yalova	Deniz El. Ser. Hizmetleri	Hürriyet Mah. Eski Bursa Cad. No: 39 Altınova	0226 461 22 43
84 Zonguldak	Genel Elektromotor	Çınarpete Mah.T.T.K 69 Ambarları 4. Kısım	0372 268 08 64
85 Zonguldak	Tümen Makina	Kışla Sanayi Sit. D Blok No: 17 Kdz.Ereğli	0372 323 74 97

KALE HIRDAVAT VE MAKİNA A.Ş. SERVİS MÜDÜRLÜĞÜ TEL. 0212 533 98 34



McGrp.Ru



Сайт техники и электроники

Наш сайт McGrp.Ru при этом не является просто хранилищем [инструкций по эксплуатации](#), это живое сообщество людей. Они общаются на форуме, задают вопросы о способах и особенностях использования техники. На все вопросы очень быстро находят ответы от таких же посетителей сайта, экспертов или администраторов. Вопрос можно задать как на форуме, так и в специальной форме на странице, где описывается интересующая вас техника.