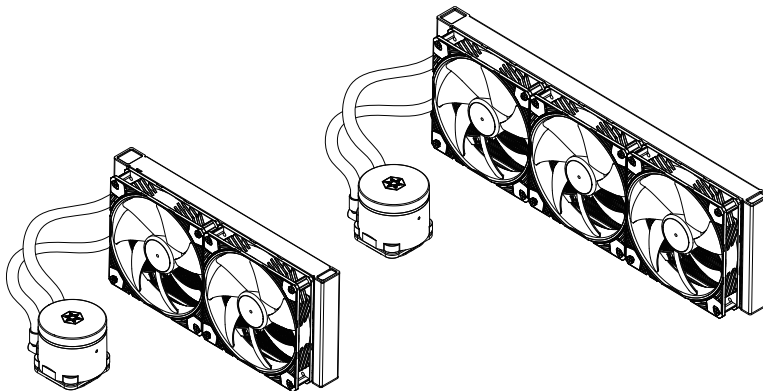
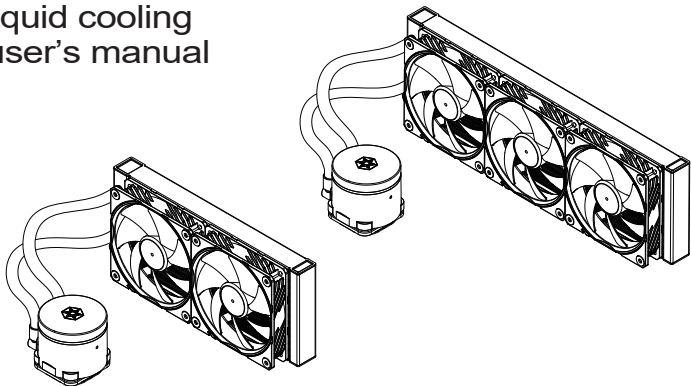




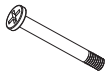
SILVERSTONE

IceMyst Series

liquid cooling
user's manual



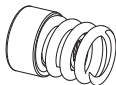
Contents

A

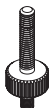
FAN SCREW x8 (240/280)
x12 (360/420)

B

CASE SCREW x8 (240/280)
x12 (360/420)

C

SPRING SCREW x4

D

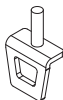
LGA115x SCREW x4

E

LGA1700 SCREW x4

F

LGA2011 SCREW x4

G

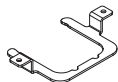
AMD BUCKLE x2

H

THERMAL GREASE x1

I

Intel CLIP x1

J

AMD CLIP x1

K

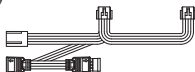
LGA115x BACK PLATE x1

L

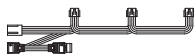
LGA1700 BACK PLATE x1

M

4PIN PERIPHERAL
ADAPTER CABLE x1

N

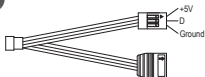
2 IN 1 FAN CABLE x1
(240/280)

O

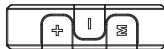
3 IN 1 FAN CABLE x1
(360/420)

P

ARGB SYNC CABLE x1

Q

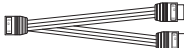
MB SYNC CABLE x1

R

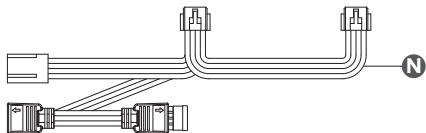
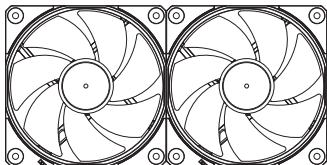
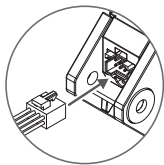
ARGB CONTROL BOX x1

S

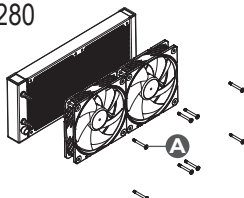
SATA POWER ADAPTER x1

T

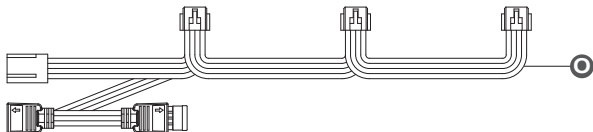
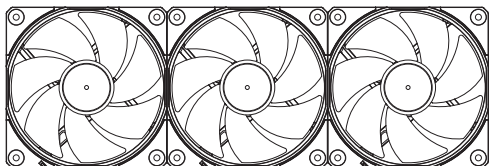
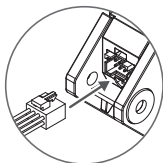
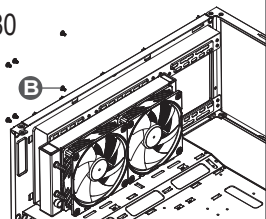
2 IN 1 ARGB CABLE x1



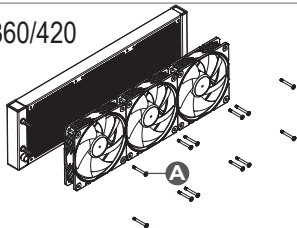
240/280



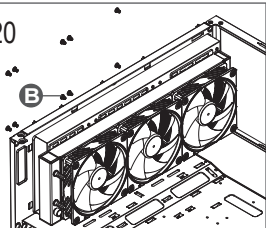
240/280



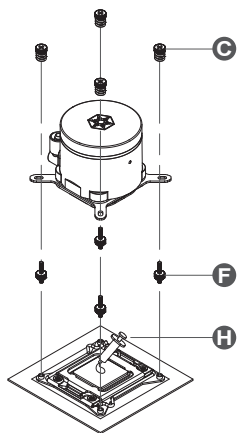
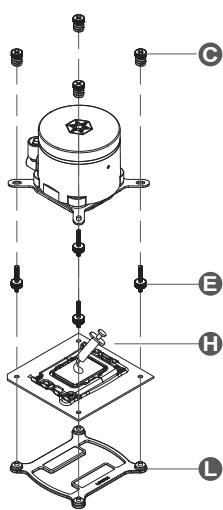
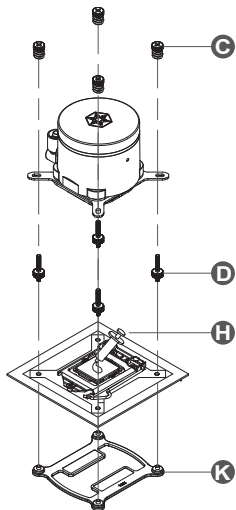
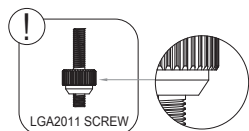
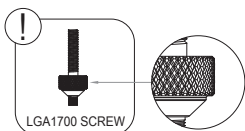
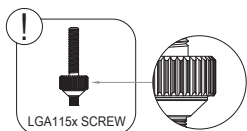
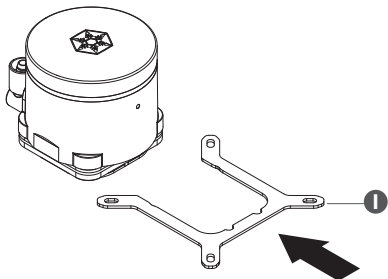
360/420



360/420



INTEL

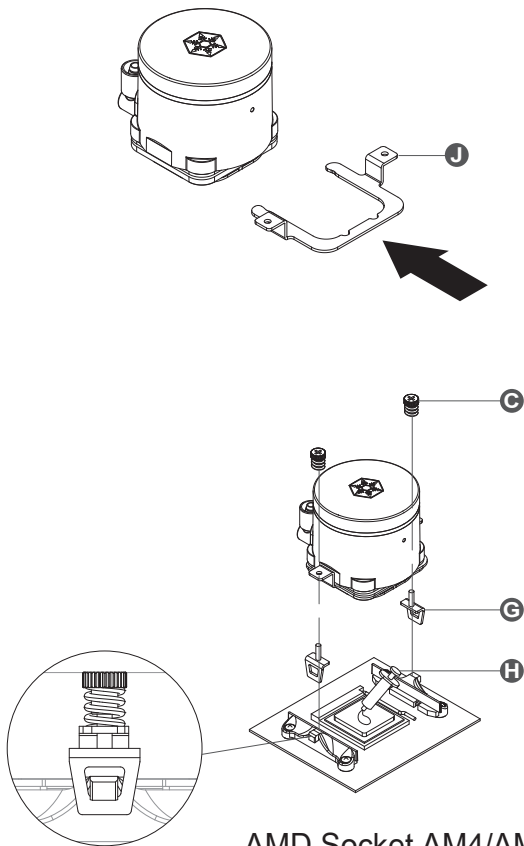


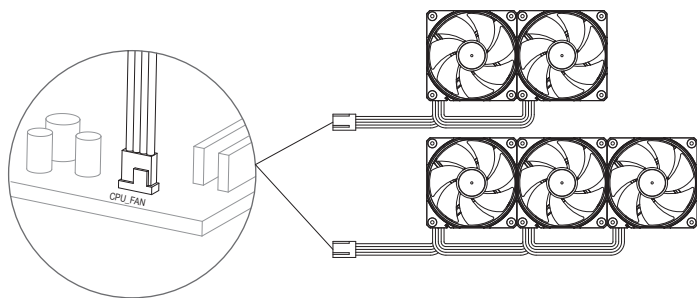
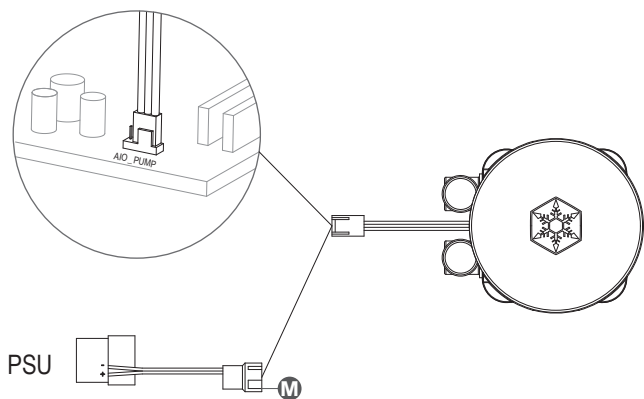
Intel LGA 115x / 1200

Intel LGA 1700

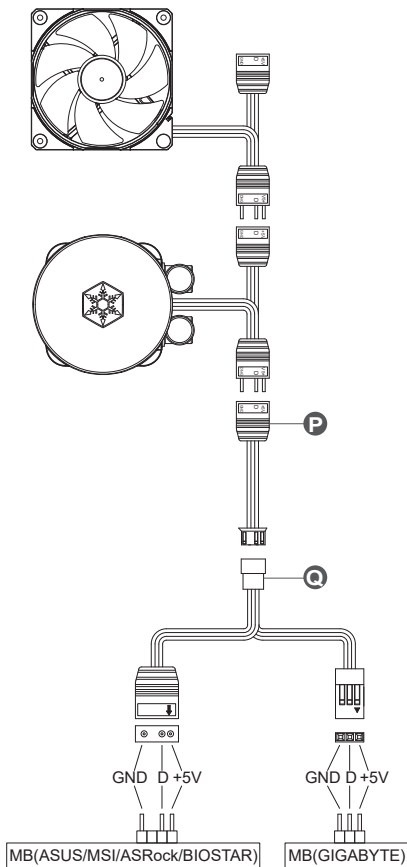
Intel LGA 2011 / 2066

AMD

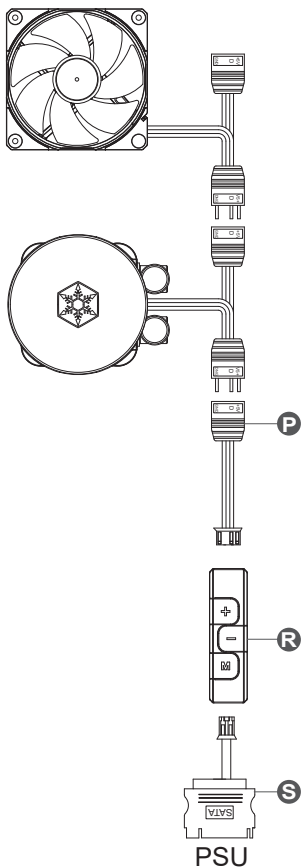




MOTHERBOARD SYNC



ARGB CONTROL BOX



PLEASE CONFIRM THE CONNECTOR, THE DEFINITION AND DIRECTION OF YOUR PIN HEADER WHEN CONNECTING CABLES.

ENSURE ARGB CONTROLLER / MOTHERBOARD HAS SAME +5V PIN DEFINITION AS ICEMYST SERIES.

SilverStone Technology Co., Ltd.

www.silverstonetek.com

support@silverstonetek.com

NO.G11248520