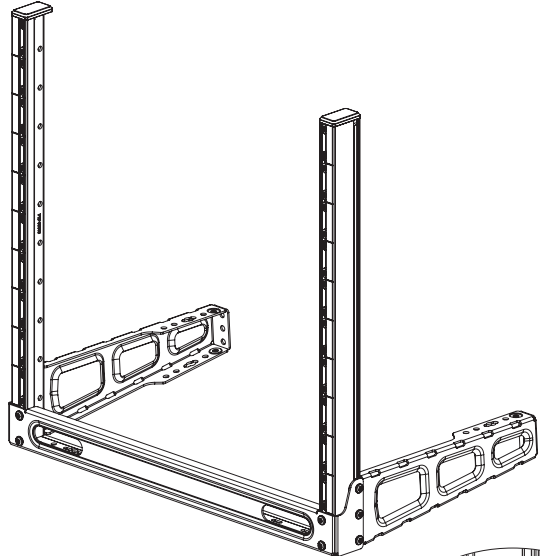
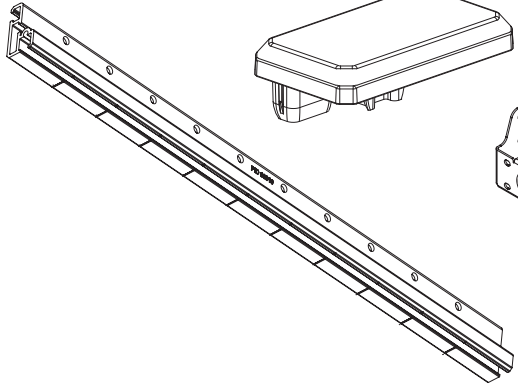
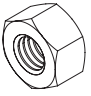


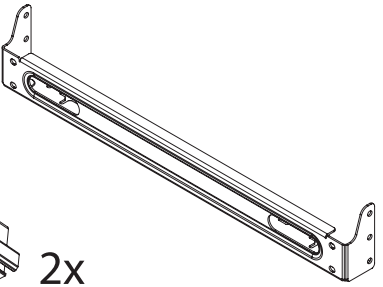
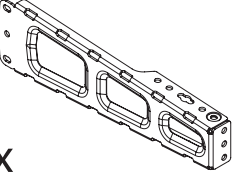
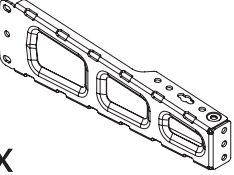



SOLID Rack assembly instruction



Part list

	2x		44x		50x		4x
	2x		1x		2x		2x

