
MOYO UA

СТАРАЕТСЯ ДЛЯ МЕНЯ

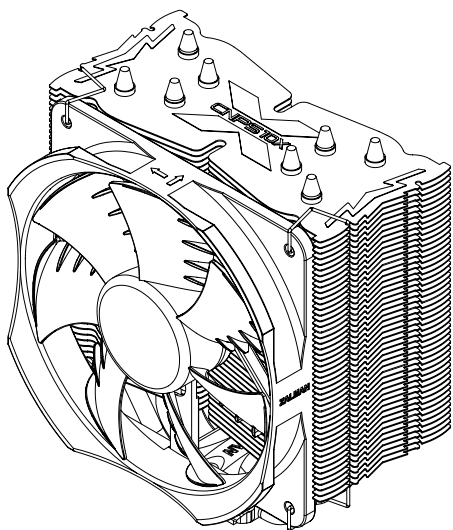
Каталог систем охлаждения



Выбрать

User's Manual

CNPS10X Optima



Intel Socket 1366/1156/1155/775 CPUs
AMD Socket FM2/FM1/AM3+/AM3/AM2+/AM2 CPU & APUs

**To ensure safe and easy installation,
Please read the following precautions.**

www.ZALMAN.com

1. Precautions

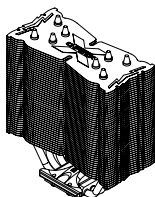
- 1) This cooler must be used with a 120mm fan.
- 2) Avoid inserting objects or hands into the fan while it is in operation to prevent product damage and injuries.
- 3) Do not ingest the Thermal Grease, and avoid its contact with skin and eyes. If contact is made with skin, wash off with water. If ingested or irritation persists, seek medical attention.
- 4) To prevent possible injuries, gloves must be worn while handling this product.
- 5) Excessive force exerted on the fan may cause damage to the fan and/or system.
- 6) Use and keep product away from reach of children.
- 7) Check the components list and condition of the product before installation. If any problem is found, contact the retailer to obtain a replacement.
- 8) During transportation of the system, the cooler must be removed. Zalman is not responsible for any damages that occur during the transport of a system.
- 9) Product design and specifications may be revised to improve quality and performance.

2. Specifications

Spec.		Model	CNPS10X Optima
Material			Pure Aluminum & Copper
Weight			630g
Dimensions			132(L) X 85(W) X 152(H)mm
Fan	Bearing Type		FSB (Fluid Shield Bearing)
	RPM		1,000 ~ 1,700rpm \pm 10%
	Noise Level		17.0 ~ 28.0rpm \pm 10%
Thermal Grease [ZM-STG2M]	Contents		1g
	Temperature Range		-40°C ~ +150°C (-40 ~ +302°F)

3. Components

1) Common Components



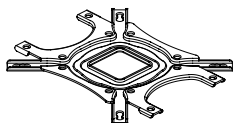
Cooler



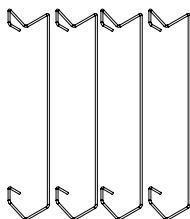
Fan



User's Manual



Backplate



Fan Fixing Clips



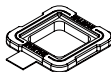
Side Caps



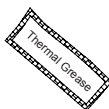
Bolts



Nuts



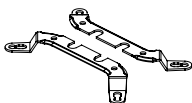
Loading Block

Thermal Grease
[ZM-STG2M]

Double-sided Tape

2) Intel Components

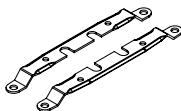
Socket 1366/1156 /1155/775



Intel Clip

3) AMD Components

Socket FM2/FM1/AM3+/AM3/AM2+/AM2



AMD Clip

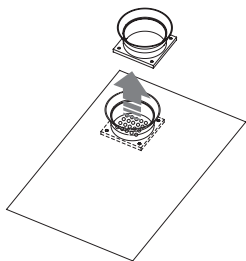
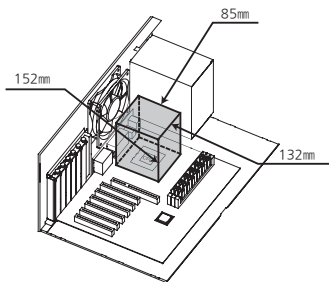
4. Installation Requirements

1) Space Requirements

The cooler's installation requires an unobstructed space of 85mm(width), 132mm(length), and 152mm(height), with the CPU as a central reference point. Please check if components such as ODDs and PSU protrude into the required space.

2) Air Guide Removal

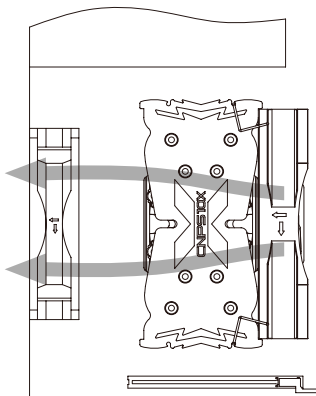
Air guides on enclosures must be removed before the cooler's installation since they protrude into the cooler's required space.



3) Cooler Orientation

As shown in the diagram below, it is recommended that the cooler be installed so that air flows from the cooler toward the enclosure's rear exhaust fan to be released.

* Recommended cooler orientation may differ according to the motherboard model.



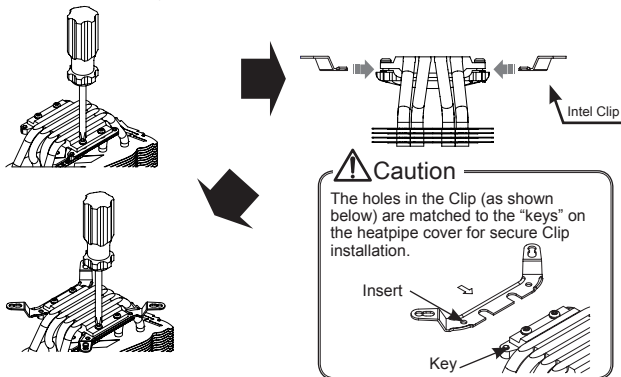
4) CPU and RAM interference check

Any RAM with a height taller than 44mm (1.75) will have interference with the CPU cooler. Please check the height of your RAM modules prior to installation.

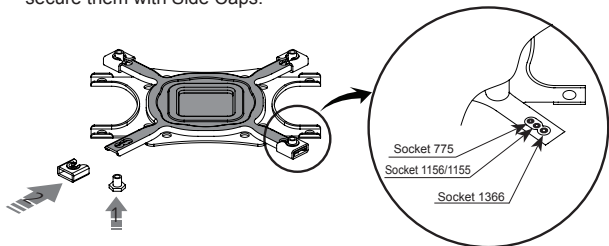
5. Installation

1) Intel Socket 1366 / 1155 / 1156 / 775 User

① Partially unscrew the four bolts located on the base of the CPU cooler. Then, insert the Intel Clips between the base and the heatpipe cover, with the clips bent away from the heatsink.

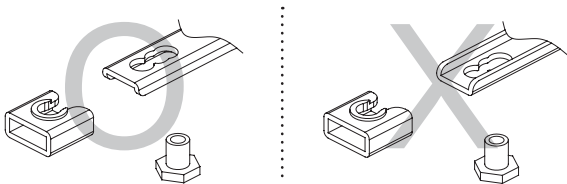


② Install the Bolts to the Backplate according to the socket type and secure them with Side Caps.



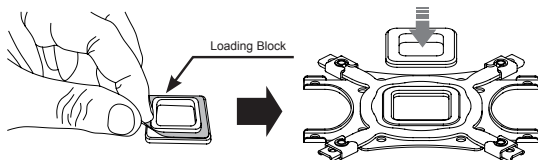
Caution

Take note of the orientation of the Nuts and the Side Caps.

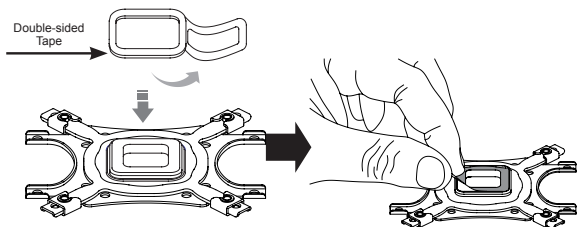


③ - ① Socket 775 Installation

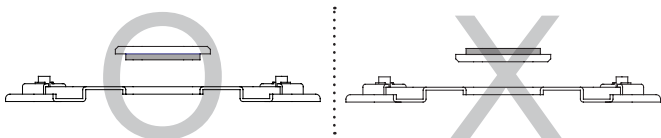
Peel off the Loading Block cover and attach it to the Backplate with the sticky side facing the center of the Backplate.



Peel off one side of the Double-sided Tape and attach it with the sticky side facing the Loading block. Then, peel off the top cover.

**Caution**

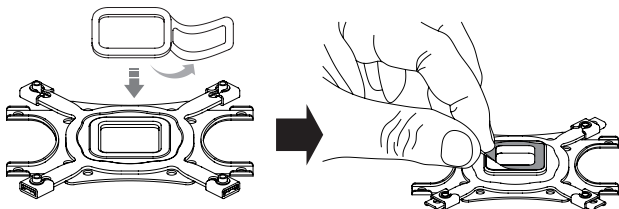
Please make note of the orientation of the Loading Block's Installation.



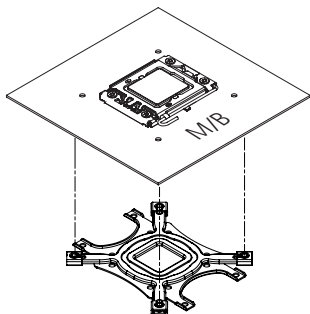
③ - ② Socket 1366/1156/1155 Installation

Peel off one side of the Double-sided Tape and attach it to the center of the Backplate with the sticky side facing down. Then, peel off the top cover.

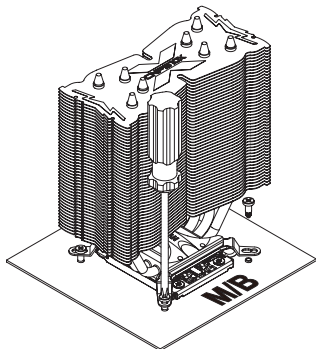
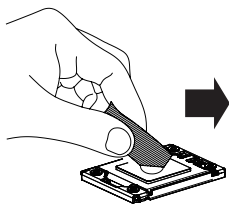
※ Socket 1366/1156/1155 Installation does not require the Loading Block.



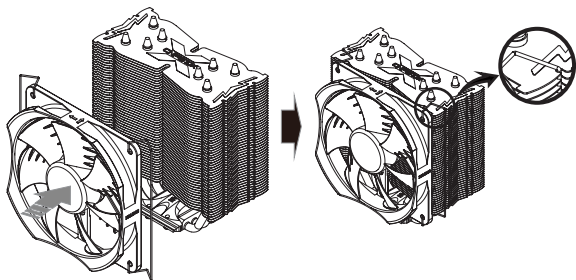
- ④ Attach the Backplate assembly to the back side of the motherboard by aligning the Nuts to the motherboard mounting holes. If you were unsuccessful at first attempt, you may continue with the installation without the Double-sided Tape as it is not a necessary component.



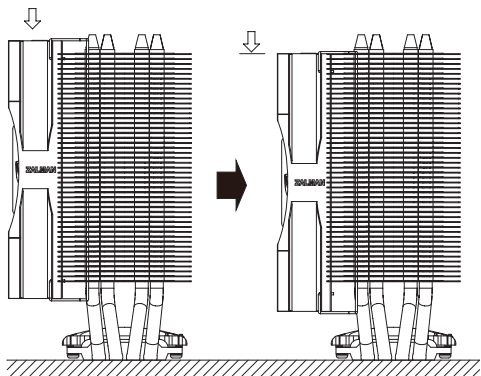
- ⑤ Apply thermal grease just enough to thinly cover the CPU surface, then fasten the Bolts to install the cooler.



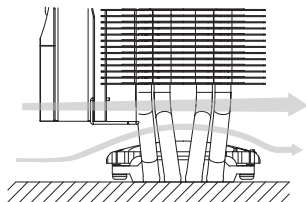
- ⑥ Latch the Fan Fixing Clips to the notches located on the sides of the heatsink. Note: It is often easier to latch the Fan Fixing Clips one at a time.



- ⑦ Position the fan as low as possible.

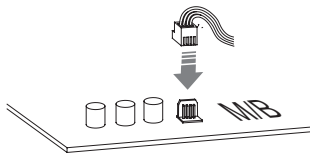


Tip



Lowering the fan helps to cool the components on the motherboard.

- ⑧ Connect the cooler's 4-pin connector to the motherboard's CPU Fan header.

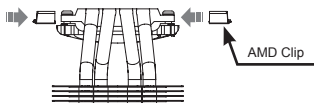
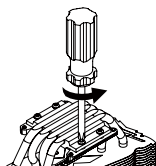


Caution

Please make sure that PWM Control Mode is activated in the motherboard's BIOS settings.

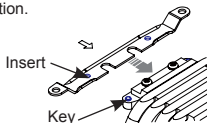
2) AMD Socket FM2 / FM1 / FM3+ / FM3 / AM2 Installation

- ① Partially unscrew the four bolts located on the base of the CPU cooler. Then, insert the AMD Clips between the base and the heatpipe cover, with the clips bent away from the heatsink.

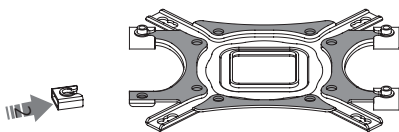


⚠ Caution

The holes in the Clip (as shown below) are matched to the "keys" on the heatpipe cover for secure Clip installation.



- ② Install Bolts to the Backplate according to the Socket Type and secure with Side Caps.

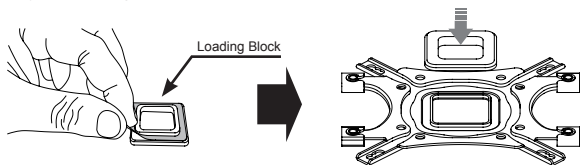


⚠ Caution

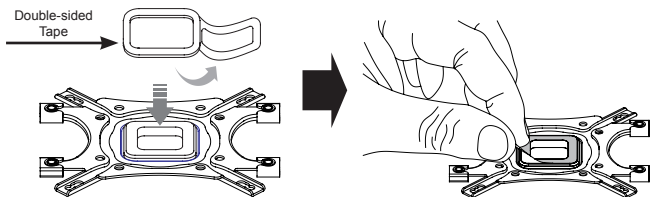
Take note of the orientation of the Nuts and the Side Caps.



- ③ Peel off the Loading Block cover and attach it to the Backplate with the sticky side facing the center of the Backplate.

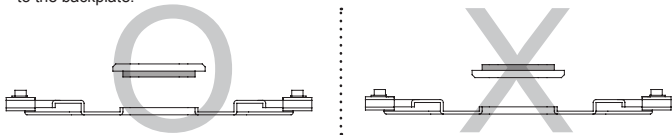


Peel off one side of the Double-sided Tape and attach it with the sticky side facing the Loading block. Then, peel off the top cover.

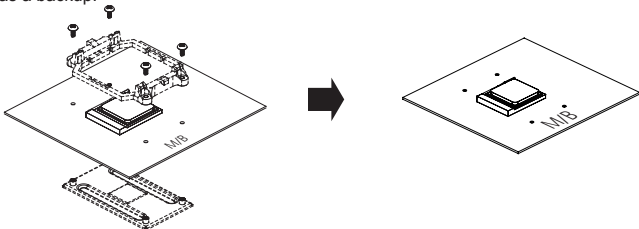


⚠ Caution

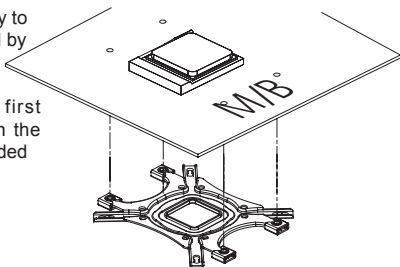
Please note that the sticky side of the Loading Block serves to attach the Loading Block to the backplate.



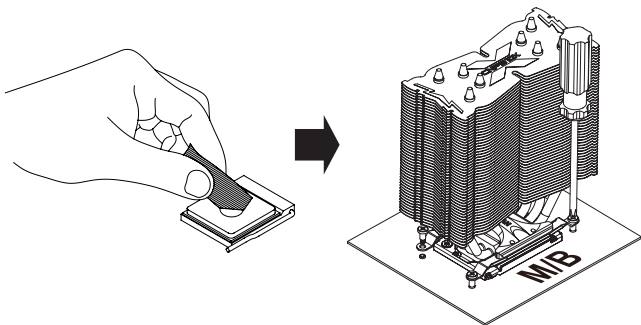
- ④ Dismantle the CPU cooler retention bracket on the motherboard by unscrewing the four bolts located at each corner (method may vary; consult the motherboard manual for details). Be sure to keep the retention bracket so the stock CPU cooler can be used as a backup.



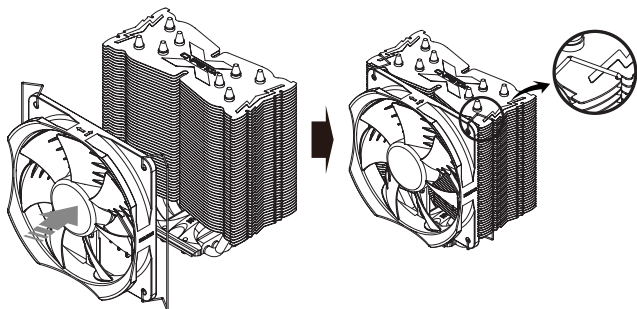
⑤ Attach the Backplate assembly to the back side of the motherboard by aligning the Nuts to the motherboard mounting holes. If you were unsuccessful at first attempt, you may continue with the installation without the Double-sided Tape as it is not a necessary component.



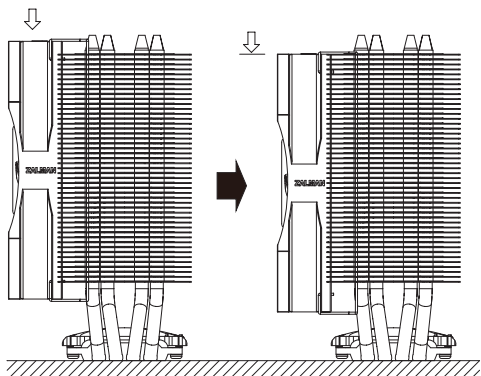
⑥ Apply thermal grease just enough to thinly cover the CPU surface, then fasten the Bolts to install the cooler.



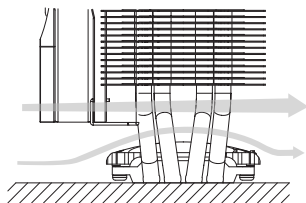
⑦ Latch the Fan Fixing Clips to the notches located on the sides of the heatsink. Note: It is often easier to latch the Fan Fixing Clips one at a time.



- ⑧ Position the fan as low as possible.

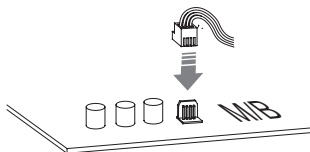


Tip



Lowering the fan helps to cool the components on the motherboard.

- ⑨ Connect the cooler's 4-pin connector to the motherboard's CPU Fan header.



Caution

Please make sure that PWM Control Mode is activated in the motherboard's BIOS settings.

Обратите внимание!



Процессоры



Видеокарты



Блоки питания



Материнские платы



Корпуса к ПК



Внутренние жесткие диски