



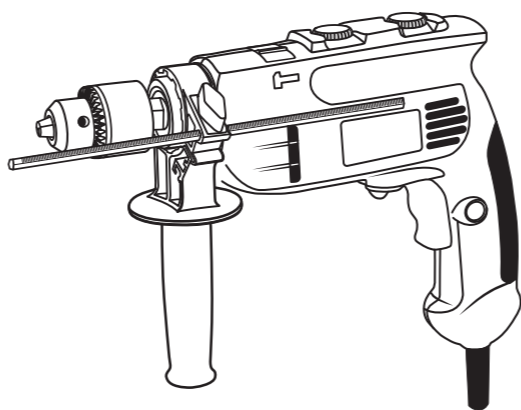
POWER
TOOLS



SPARKY

HD PROFESSIONAL

(EN)	IMPACT DRILL Original instructions	1 – 9
(DE)	SCHLAGBOHRMASCHINE Originalbetriebsanleitung	10 – 20
(FR)	PERCEUSE A PERCUSSION Notice originale	21 – 30
(IT)	TRAPANO BATTENTE Istruzioni originali	31 – 40
(ES)	TALADRADORA DE PERCUSION Instrucciones de uso originales	41 – 51
(PT)	BERBEQUIM DE PERCUSSÃO Manual original	52 – 61
(PL)	WIERTARKA UDAROWA Oryginalna instrukcja obsługi	62 – 71
(RU)	ДРЕЛЬ УДАРНОГО ДЕЙСТВИЯ Оригинальная инструкция по эксплуатации	72 – 82
(UK)	ДРИЛЬ УДАРНОЇ ДІЇ Оригінальна інструкція з експлуатації	83 – 93
(BG)	УДАРНА БОРМАШИНА Оригинална инструкция за използване	94 – 104



HEAVYDUTY

600/650 W BU 150 • BUR 150E • BUR 150CET



(EN)

DECLARATION OF CONFORMITY

We declare under our sole responsibility that the product, described under "Technical specifications", fulfils all the relevant provisions of the following directives and the harmonized standards: 2006/42/EC, 2014/30/EU, 2011/65/EU, EN 60745-1, EN 60745-2-1; EN 55014-1, EN 55014-2, EN 61000-3-2, EN 61000-3-3, EN 50581. Technical file is stored at SPARKY ELTOS AD, Kubrat Str. 9, 5500 Lovech, Bulgaria.

(DE)

KONFORMITÄTSEKTLÄRUNG

Hiermit versichern wir unsere persönliche Haftung, dass Produkt im Abschnitt "Technische Daten" beschrieben allen einschlägigen Bestimmungen folgender Richtlinien und entsprechender harmonisierten Standards entspricht: 2006/42/EC, 2014/30/EU, 2011/65/EU, EN 60745-1, EN 60745-2-1; EN 55014-1, EN 55014-2, EN 61000-3-2, EN 61000-3-3, EN 50581. Die technischen Unterlagen werden bei SPARKY ELTOS AD, Kubrat Str.9, 5500 Lovech, Bulgarien, aufbewahrt.

(FR)

DECLARATION DE CONFORMITE

Nous déclarons sous notre responsabilité que le produit décrit dans la rubrique "Données techniques" satisfait à l'ensemble des dispositions pertinentes des présentes directives, respectivement aux normes harmonisées: 2006/42/CE, 2014/30/UE, 2011/65/UE, EN 60745-1, EN 60745-2-1; EN 55014-1, EN 55014-2, EN 61000-3-2, EN 61000-3-3, EN 50581. Le dossier technique est conservé par SPARKY ELTOS AD, 9, rue Kubrat, 5500 Lovech, Bulgarie.

(IT)

DICHIARAZIONE DI CONFORMITÀ

Noi dichiariamo sotto la nostra personale responsabilità, che il prodotto, descritto nella sezione "Dati tecnici" è in conformità a tutte le disposizioni pertinenti della presente direttiva e norme armonizzate: 2006/42/CE, 2014/30/UE 2011/65/UE, EN 60745-1, EN 60745-2-1; EN 55014-1, EN 55014-2, EN 61000-3-2, EN 61000-3-3, EN 50581. Il fascicolo tecnico viene custodito presso la SPARKY ELTOS AD, 5500 Lovech, via Kubrat n. 9, Bulgaria.

(ES)

DECLARACIÓN DE CONFORMIDAD

Declaramos bajo nuestra exclusiva responsabilidad que el producto, descrito en los "Datos técnicos", está conforme con todas las disposiciones aplicables de la presente directrices aplicables y las correspondientes normas armonizadas: 2006/42/CE, 2014/30/UE, 2011/65/UE, EN 60745-1, EN 60745-2-1; EN 55014-1, EN 55014-2, EN 61000-3-2, EN 61000-3-3, EN 50581. El expediente técnico está archivado en SPARKY ELTOS AD, C/ Kubrat, 9, 5500 Lovech, Bulgaria.

(PT)

DECLARAÇÃO DE CONFORMIDADE

Declaramos assumindo a nossa responsabilidade pessoal que o produto, descrito em los "Dados técnicos", está conforme com todas as disposições relevantes da presente directrizes aplicáveis e respectivos estandartes harmonizados: 2006/42/CE, 2014/30/UE, 2011/65/UE, EN 60745-1, EN 60745-2-1; EN 55014-1, EN 55014-2, EN 61000-3-2, EN 61000-3-3, EN 50581. A documentação técnica guarda-se no SPARKY ELTOS AD, rua Kubrat 9, 5500, Lovech, Bulgária.

(PL)

DEKLARACJA ZGODNOŚCI

Niniejszym deklarujemy naszą osobistą odpowiedzialnością, że produkt, przedstawiony w rozdziale „Dane techniczne”, pełni wszystkie odpowiednie postanowienia następujących dyrektyw i harmonizowanych standardów: 2006/42/WE, 2014/30/UE, 2011/65/UE, EN 60745-1, EN 60745-2-1; EN 55014-1, EN 55014-2, EN 61000-3-2, EN 61000-3-3, EN 50581. Tezka techniczna przechowywana jest w SPARKY ELTOS AD, Kubrat Str.9, 5500 Lovetch, Bulgaria.

(RU)

ДЕКЛАРАЦИЯ О СООТВЕТСТВИИ

Мы заявляем со всей ответственностью, что продукт, описанный в разделе "Технические данные", полностью соответствует всем соответствующим требованиям действующих директив и гармонизированных стандартов: 2006/42/ЕС, 2014/30/ЕU, 2011/65/ЕU, EN 60745-1, EN 60745-2-1; EN 55014-1, EN 55014-2, EN 61000-3-2, EN 61000-3-3, EN 50581. Техническое досье хранится в СПАРКИ ЕЛТОС АД, ул. Кубрат №9, 5500 Ловеч, Болгария.

(UK)

ДЕКЛАРАЦІЯ ПРО ВІДПОВІДНІСТЬ

Ми заявляємо під свою власну відповідальність, що продукт, описаний у розділі "Технічні дані" відповідає всім діючим вимогам директив і гармонізованих стандартів: 2006/42/ЕС, 2014/30/ЕU, 2011/65/ЕU, EN 60745-1, EN 60745-2-1; EN 55014-1, EN 55014-2, EN 61000-3-2, EN 61000-3-3, EN 50581. Технічне досьє зберігається в СПАРКИ ЕЛТОС АД, ул. Кубрат № 9, 5500 Ловеч, Болгарія.

(BG)

ДЕКЛАРАЦИЯ ЗА СЪОТВЕТСТВИЕ

Ние декларираме на своя лична отговорност, че изделието, описано в раздел "Технически данни", отговаря на всички приложими изисквания на следните директиви и хармонизирани стандарти: 2006/42/ЕС, 2014/30/ЕU, 2011/65/ЕU, EN 60745-1, EN 60745-2-1; EN 55014-1, EN 55014-2, EN 61000-3-2, EN 61000-3-3, EN 50581. Техническото досье се съхранява в СПАРКИ ЕЛТОС АД, ул. Кубрат №9, 5500 Ловеч, България.

Manufacturer
SPARKY Power Tools GmbH
Leipziger Str. 20
10117 Berlin, GERMANY

Signature of authorized person

A. Ivanov
Technical director of SPARKY ELTOS AD

6 March 2017

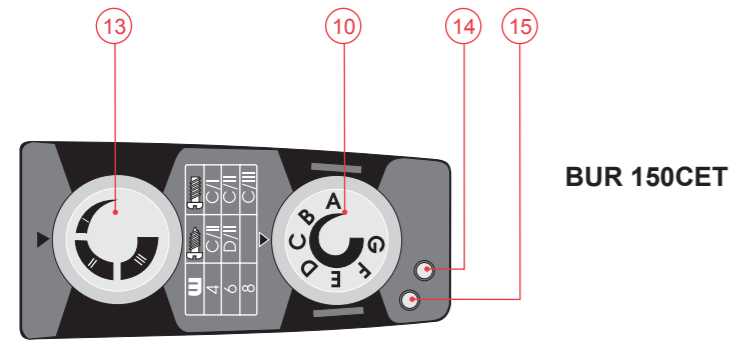
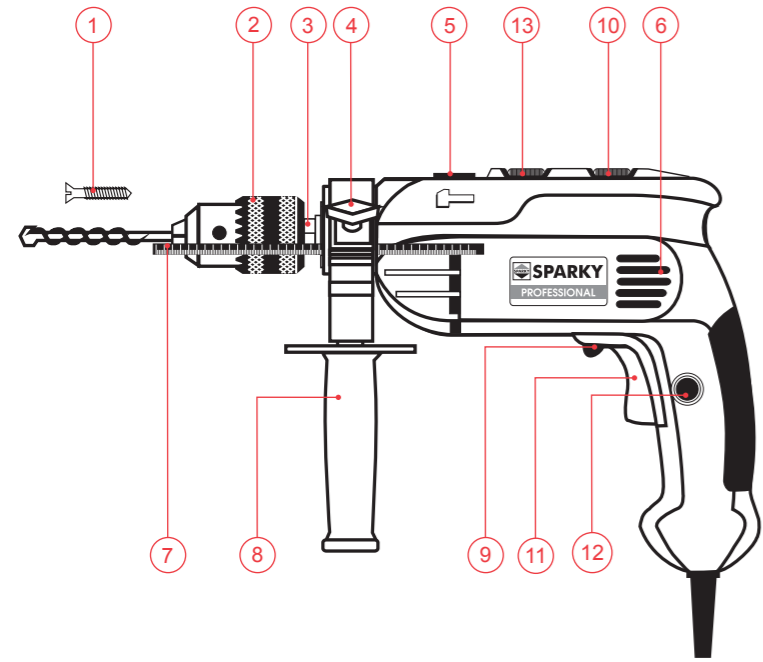
142380V3

1704R01

© 2017 SPARKY

www.sparky.eu

BLACK PANTONE185



Contents

Introduction	1
Technical specifications	3
General power tool safety warnings.....	4
Impact drill safety warnings.....	5
Know your product	A/6
Operation	6
Maintenance	8
Warranty	9

UNPACKING

Due to modern mass production techniques, it is unlikely that your power tool is faulty or that a part is missing. If you find anything wrong, do not operate the tool until the parts have been replaced or the fault has been rectified. Failure to do so could result in serious personal injury.

ASSEMBLY

The drill, packed in a case, is fully assembled.

The drill, packed in a box, is assembled except for the auxiliary handle.

Introduction

Your new SPARKY power tool will more than satisfy your expectations. It has been manufactured under stringent SPARKY Quality Standards to meet superior performance criteria. You will find your new tool easy and safe to operate, and, with proper care, it will give you many years of dependable service.

WARNING:



Carefully read through these Original Instructions before using your new SPARKY power tool. Take special care to heed the Warnings. Your SPARKY power tool has many features that will make your job faster and easier. Safety, performance, and dependability have been given top priority in the development of this tool, making it easy to maintain and operate.



Do not dispose of electric tools together with household waste!

Waste electrical products should not be disposed of with household waste. Please recycle where facilities exist. Check with your local authority or retailer for recycling advice.

ENVIRONMENTAL PROTECTION



The machine, accessories and packaging should be sorted for environmental-friendly recycling.
The plastic components are labelled for categorised recycling.

DESCRIPTION OF SYMBOLS

The rating plate on your power tool may show symbols. These represent important information about the product or instructions on its use.



Double insulated for additional protection.



Conforms to the relevant European Directives.



Conforms to the requirements of Customs Union regulations.



Conforms to the requirements of Ukrainian standards.




Refer to Original Instructions.

YYYY-Www Production period, where the variable symbols are:
YYYY- year of manufacture,
ww - calendar week number.

BU, BUR Impact drill.

Technical specifications

Model	BU 150	BUR 150E	BUR 150CET
Power input	650 W	600 W	600 W
No load speed	2800 min ⁻¹	0-2800 min ⁻¹	500-2500 min ⁻¹
Variable speed	no	yes	yes
Torque control	no	no	yes
Reversing	no	yes	yes
Chuck capacity	1.5-13 mm	1.5-13 mm	1.5-13 mm
Max.drill capacity:			
in steel	13 mm	13 mm	13 mm
in wood	25 mm	25 mm	25 mm
in concrete	15 mm	15 mm	15 mm
Weight (EPTA Procedure 01/2014)	2.0 kg	2.0 kg	2.0 kg
Protection class (EN 60745-1) 	II	II	II
NOISE AND VIBRATION INFORMATION			
Measured values determined according to EN 60745			
Noise emission			
A-weighted sound pressure level L _{pA}	96.0 dB (A)	96.0 dB (A)	96.0 dB (A)
Uncertainty K _{pA}	3.0 dB (A)	3.0 dB (A)	3.0 dB (A)
A-weighted sound power level L _{WA}	107.0 dB (A)	107.0 dB (A)	107.0 dB (A)
Uncertainty K _{WA}	3.0 dB (A)	3.0 dB (A)	3.0 dB (A)
Wear hearing protection!			
Vibration emission *			
Total vibration values (vector sum in the three axes) determined according to EN 60745:			
Impact drilling in concrete			
Vibration emission value a _{h, ID}	23.0 m/s ²	23.0 m/s ²	23.0 m/s ²
Uncertainty K _{ID}	1.5 m/s ²	1.5 m/s ²	1.5 m/s ²
Drilling in steel			
Vibration emission value a _{h, D}	6.0 m/s ²	6.0 m/s ²	6.0 m/s ²
Uncertainty K _D	1.5 m/s ²	1.5 m/s ²	1.5 m/s ²
Screwing/Unscrewing			
Vibration emission value a _h			<2.5 m/s ²
Uncertainty K	1.5 m/s ²	1.5 m/s ²	1.5 m/s ²
* The vibration emission values are determined according to 6.2.7 EN 60745.			

The vibration emission level given in this information sheet has been measured in accordance with a standardised test given in EN 60745 and may be used to compare one tool with another. It may be used for a preliminary assessment of exposure.

The declared vibration emission level represents the main applications of the tool. However if the tool is used for different applications, with different accessories or poorly maintained, the vibration emission may differ. This may significantly increase the exposure level over the total working period.

An estimation of the level of exposure to vibration should also take into account the times when the tool is switched off or when it is running but not actually doing the job. This may significantly reduce the exposure level over the total working period.

Maintain the power tool and the accessories and keep your hands warm during operation to reduce the harmful effect of vibrations.

Dust from material such as paint containing lead, some wood species, minerals and metal may be harmful. Contact with or inhalation of the dust may cause allergic reactions and/or respiratory diseases to the operator or bystanders.

Certain kinds of dust are classified as carcinogenic such as oak and beech dust especially in conjunction with additives for wood conditioning (chromate, wood preservative). Material containing asbestos must only be treated by specialists.

- Where the use of a dust extraction device is possible it shall be used.
- The work place must be well ventilated.
- The use of a dust mask of filter class P2 is recommended.

Follow national requirements for the materials you want to work with.

General power tool safety warnings



WARNING! Read all safety warnings and all instructions. Failure to follow the warnings and instructions may result in electric shock, fire and/or serious injury.

Save all warnings and instructions for future reference.

The term "power tool" in the warnings refers to your mains-operated (corded) power tool or battery-operated (cordless) power tool.

1) Work area safety

- Keep work area clean and well lit.** Cluttered or dark areas invite accidents.
- Do not operate power tools in explosive atmospheres, such as in the presence of flammable liquids, gases or dust.** Power tools create sparks which may ignite the dust or fumes.
- Keep children and bystanders away while operating a power tool.** Distractions can cause you to lose control.

2) Electrical safety

- Power tool plugs must match the outlet. Never modify the plug in any way. Do not use any adapter plugs with earthed (grounded) power tools.** Unmodified plugs and matching outlets will reduce risk of electric shock.
- Avoid body contact with earthed or grounded surfaces, such as pipes, radiators, ranges and refrigerators.** There is an increased risk of electric shock if your body is earthed or grounded.
- Do not expose power tools to rain or wet conditions.** Water entering a power tool will increase the risk of electric shock.
- Do not abuse the cord. Never use the cord for carrying, pulling or unplugging the power tool. Keep cord away from heat, oil, sharp edges or moving parts.** Damaged or entangled cords increase the risk of electric shock.
- When operating a power tool outdoors,**

use an extension cord suitable for outdoor use. Use of a cord suitable for outdoor use reduces the risk of electric shock.

- If operating a power tool in a damp location is unavoidable, use a residual current device (RCD) protected supply.** Use of an RCD reduces the risk of electric shock.

3) Personal safety

- Stay alert, watch what you are doing and use common sense when operating a power tool. Do not use a power tool while you are tired or under the influence of drugs, alcohol or medication.** A moment of inattention while operating power tools may result in serious personal injury.
- Use personal protective equipment. Always wear eye protection.** Protective equipment such as dust mask, non-skid safety shoes, hard hat, or hearing protection used for appropriate conditions will reduce personal injuries.
- Prevent unintentional starting. Ensure the switch is in the off-position before connecting to power source and/or battery pack, picking up or carrying the tool. Carrying power tools with your finger on the switch or energising power tools that have the switch on invites accidents.**
- Remove any adjusting key or wrench before turning the power tool on. A wrench or a key left attached to a rotating part of the power tool may result in personal injury.**
- Do not overreach. Keep proper footing and balance at all times.** This enables better control of the power tool in unexpected situations.
- Dress properly. Do not wear loose clothing or jewellery. Keep your hair, clothing and gloves away from moving parts.** Loose clothes, jewellery or long hair can be caught in moving parts.
- If devices are provided for the connection of dust extraction and collection facilities, ensure these are connected and properly used. Use of dust collection can reduce dust-related hazards.**

4) Power tool use and care

- a) **Do not force the power tool. Use the correct power tool for your application.** *The correct power tool will do the job better and safer at the rate for which it was designed.*
 - b) **Do not use the power tool if the switch does not turn it on and off.** *Any power tool that cannot be controlled with the switch is dangerous and must be repaired.*
 - c) **Disconnect the plug from the power source and/or the battery pack from the power tool before making any adjustments, changing accessories, or storing power tools.** *Such preventive safety measures reduce the risk of starting the power tool accidentally.*
 - d) **Store idle power tools out of the reach of children and do not allow persons unfamiliar with the power tool or these instructions to operate the power tool.** *Power tools are dangerous in the hands of untrained users.*
 - e) **Maintain power tools. Check for misalignment or binding of moving parts, breakage of parts and any other condition that may affect the power tool's operation. If damaged, have the power tool repaired before use.** *Many accidents are caused by poorly maintained power tools.*
 - f) **Keep cutting tools sharp and clean.** *Properly maintained cutting tools with sharp cutting edges are less likely to bind and are easier to control.*
 - g) **Use the power tool, accessories and tool bits etc. in accordance with these instructions, taking into account the working conditions and the work to be performed.** *Use of the power tool for operations different from those intended could result in a hazardous situation.*
- 5) Service**

- a) **Have your power tool serviced by a qualified repair person using only identical replacement parts.** *This will ensure that the safety of the power tool is maintained.*

Impact drill safety warnings



Wear ear protectors with impact drills.
Exposure to noise can cause hearing loss.

- **Use the auxiliary handle supplied with the machine.** *Loss of control can cause personal injury.*



During operation provide eye protection to prevent eyes from exposure to flying particles. Wear goggles.



Take protective measures against inhalation of dust. Some materials can contain toxic ingredients. *Wear a dust mask and work with dust/chip extraction when connectable.*

- **Hold the power tool by insulated gripping surfaces only, when performing an operation where the cutting accessory may contact hidden wiring or its own cord.** *Cutting accessory contacting a "live" wire may make exposed metal parts of the power tool "live" and could give the operator an electric shock.*
- Do not process materials containing asbestos. Asbestos is considered carcinogenic.



WARNING: Before connecting a tool to a power source be sure that the voltage supply is the same as that specified on the nameplate of the tool.

- A power source with a voltage greater than that specified for the tool can result in serious injury to the user, as well as damage to the tool.
- If in doubt, do not plug in the tool.
- Using a power source with a voltage less than the nameplate rating is harmful to the motor.
- Fully unwind cable drum extensions to avoid potential overheating.
- When an extension cable is required, you must ensure that it has the right ampere rating for your power tool and it is in safe electrical condition.



WARNING: Always switch off and unplug the power tool prior to any adjustment, servicing or maintenance.

- While operating the machine, always hold it firmly with both hands and provide for a secure stance. The power tool is guided more securely with both hands.
- Prior to operation use suitable detectors to determine if utility lines are hidden in the work area or call the local utility company for assistance. Contact with electric lines can lead to fire and electric shock. Damaging a gas line can lead to explosion. Penetrating a water

line causes property damage or may cause electric shock.

- Always keep the cord away from the working area of the power tool.
- Never use the machine with a damaged cable. Do not touch the damaged cable and pull the mains plug when the cable is damaged while operating. Damaged cables increase the risk of electric shock.
- Always be sure you have a firm footing. Be sure no one is below when using the tool in high locations.
- Use clamps or a vice to secure your work whenever possible.
- Watch out for the initial torque reaction of the machine or upon jamming the drill bit.
- Do not touch the drill bit or parts close to it during operation and immediately after that; they may be extremely hot. You may get serious burns.
- Keep work area clean. Blends of materials are particularly dangerous. Dust from light alloys can burn or explode.
- Rags, cloths, cord, string and the like should never be left around the work area.
- Always switch the machine off prior to leaving it down.
- The tool must be used only for its prescribed purpose. Any use other than those mentioned in this Manual will be considered a case of misuse. The user and not the manufacturer shall be liable for any damage or injury resulting from such cases of misuse.
- To use this tool properly, you must observe the safety regulations, the assembly instructions and the operating instructions found in this Manual. All persons who use and service the machine have to be acquainted with this Manual and must be informed about its potential hazards. Children and frail people must not use this tool. Children should be supervised at all times if they are in the area in which the tool is being used. It is also imperative that you observe the accident prevention regulations in force in your area. The same applies for general rules of occupational health and safety.
- The manufacturer shall not be liable for any changes made to the tool nor for any damage resulting from such changes.
- The power tools must not be used outdoors in rainy weather, or in moist environment (after rain) or in close vicinity with easily flammable liquids and gases. The working place should be well lit.

Know your product

Before using the power tool, familiarize yourself with all the operating features and safety requirements.

Use the tool and accessories only for the applications intended. All other applications are expressly ruled out.

1. Securing screw (BUR 150E, BUR 150CET)
2. Chuck
3. Place for spindle fixing
4. Drill journal
5. Operation mode selector switch
6. Ventilation slots
7. Depth gauge
8. Auxiliary handle
9. Reversing switch (BUR 150E, BUR 150CET)
10. Electronic regulator of rotation speed (BUR 150E, BUR 150CET)
11. ON/OFF switch
12. Lock-on button
13. Torque regulator (BUR 150CET)
14. Green LED (BUR 150CET)
15. Red LED (BUR 150CET)

Operation

This power tool is supplied from single-phase alternating current mains only. It is double insulated according to EN 60745-1 and IEC 60745 and can be connected to grounded or not grounded sockets. This power tool is radio suppressed in compliance with EMC Directive.

This power tool is designed for impact drilling in steel, wood, plastics, etc. The provided impact-rotary operation mode ensures drilling openings in concrete, stone, masonry and various brittle materials.

The built-in CET electronic control (BUR 150CET) with torque adjustment ensures machine utilization as a screwdriver.

PRIOR TO INITIAL OPERATION

- Make sure the power supply voltage corresponds to the value indicated on the name plate with technical data of the tool.
- Always check the position of ON/OFF switch. The power tool must be connected to the power supply socket only when this switch is in OFF position. If the plug is connected to a receptacle while the power switch is in the

ON position, the power tool will start operating immediately, which could cause a serious accident.

- Make sure that the cord and the plug are in order. If the replacement of the supply cord is necessary, this has to be done by the manufacturer or his agent in order to avoid a safety hazard.



WARNING: Always switch off and unplug the power tool prior to any adjustment, servicing or maintenance.

- In case the work area is remote from the power source, use as short as practicable extension cord with proper cross-section.
- Check that the auxiliary handle is properly mounted and reliably tightened.



WARNING: Prior to operation always check the direction of rotation. Shift the reversing switch only when the spindle has come to a complete stop. Reversing prior to final spindle halt may damage the power tool.

SWITCHING ON - SWITCHING OFF

Brief activation

- Switching on: press ON/OFF switch 11. LED 14 glows (BUR 150CET).
- Switching off: release ON/OFF switch 11.

Continuous operation

- Switching on: press ON/OFF switch 11 and in pressed position lock it by button 12.
- Switching off: press ON/OFF switch 11 once and release it immediately.

STEPLESS ELECTRONIC RPM CONTROL (BUR 150E, BUR 150CET)

Light pressure on ON/OFF switch 11 results in low rotation speed, further pressing the switch results in stepless increase of the rpm to maximum upon reaching the extreme position.

SELECTION OF RPM VALUE (BUR 150E, BUR 150CET)

The necessary speed can be preselected by rotating the regulator dial 10 clockwise or anti-clockwise.

REVERSING (BUR 150E, BUR 150CET)

The extreme position of lever 9 to the right is equivalent to clockwise rotation, the extreme position to the left - to anti-clockwise rotation. When the ON/OFF switch is depressed lever 9 can not be actuated. Reversing can be performed only when the spindle is not rotating!

TORQUE CONTROL (BUR 150CET)

Select the torque by regulator 13, as:

- Position I corresponds to minimum torque;
 - Position III corresponds to maximum torque.
- Use maximum torque for normal drilling. Do not operate the machine continuously at low speed and high torque.

LED INDICATION (BUR 150CET)

Green LED 14 - Indicates the spindle rotation direction:

- Constant glow: the machine is supplied from the mains, right rotation direction of the spindle;
- Blinking glow: the machine is supplied from the mains, left rotation direction of the spindle.

Red LED 15 - indicates the actuation of the torque control regulator:

- Constant glow: maximum torque has been achieved by torque control, the spindle halts rotation.
 - Blinking glow: the machine is supplied from the mains, mains supply has dropped-out.
- To restore normal operation it is necessary in both cases to first switch off and then switch on the power tool by the ON/OFF switch pos.10.

OPERATION MODE SELECTION

- Drilling in metal, wood, etc. The switch 5 is in its extreme right position the symbol "drill bit" being exposed.
 - Drilling in concrete, stone, etc. The ON/OFF switch 5 is in its extreme left position and the symbol "hammer" is exposed.
- Switching the operation modes can be performed while the machine is operated.

INSERTING AND FASTENING DRILL BITS

For three-jaw chuck drills:

Through turning the collar of the chuck 2 clockwise or anti-clockwise the jaws are positioned so the drill bit shank can be inserted inside the choke. By turning the collar of chuck 2 clockwise the jaws tighten the drill bit shank. Fix the drill

bit finally in the chuck by means of the special chuck key, tightening equally in all three bores.

For keyless-chuck drills:

Grip rear collar of keyless chuck and rotate front collar until chuck is opened sufficiently for the tool to be inserted. Grip the rear collar and manually rotate the front collar until tight. An audible "click" indicates that the chuck has automatically locked.

REMOVING THE CHUCK

For three-jaw chuck drills:

Open the jaws of chuck 2 entirely. Unscrew the left threaded securing screw 1 by a screwdriver. Grip the place for fixing the spindle 3 by a spanner. Insert the special key for chuck tightening in one of the three bores and rotating clockwise using the key as lever, unwind chuck 2 from the spindle.

For keyless-chuck drills:

Grip rear collar of keyless chuck and rotate front collar until chuck is opened entirely. Using a screw driver unwind the left-threaded securing screw. Place a hex bit or a screw-driver bit into the chuck and tighten it. Secure the place for fixing the spindle by a spanner and rotate the chuck anti-clockwise using the free end of the bit.

SCREWING/UNSCREWING BOLTS, SCREWS AND NUTS (BUR 150E, BUR150CET)

Dismount chuck 2 in the above-described way. Place the corresponding accessory for screwing/unscrewing bolts, nuts or screws directly into the spindle. Set the operation mode selector switch 5 in its rightmost position until the drill bit symbol is entirely exposed. Select the rotation direction necessary (screwing/unscrewing) by lever 9. These operations must be carried out only at a low rpm.



WARNING: In case of tightening long screws there is a danger of slipping the drill.

RECOMMENDATION FOR SCREWING

- Use the proper bits for screwing, with appropriate shape and size.
- In soft wood the suitable screws can be screwed in without preliminary drilling a small pilot hole;

- For hard wood preliminary drilling a small pilot hole is necessary;
- For sunk-head screws the hole must be preliminary spot-faced.
- For pivot screws, drill preliminary the seat for the screw for approximately half its length.

AUXILIARY HANDLE

Tighten the auxiliary handle 8 on journal 4 of the drill. In the interests of safety, the auxiliary handle 8 should always be used. The depth gauge 7 can be used for fixing the depth of drilled bores.

RECOMMENDATIONS FOR OPERATION

Apply moderate pressure during drilling in concrete (approximately 80-100 N). Higher pressure will not increase drilling efficiency, but it will lead to decreasing the operation life of the machine. For machines with electronic speed control, drill with speed lower than the maximum, suited to the material.

Use carbide tipped straight shank drill bits. Take the drill out of the opening from time to time to remove dust.

Watch out the stage of blunting of the bit and change it if considerable decrease of efficiency is observed. Before drilling large-diameter holes, drill a small pilot hole.

The optimum capacity when drilling in concrete is up to 10 mm, and the possible capacity is up to 15 mm.

ACCESSORIES TO BE USED WITH THIS POWER TOOL

- Drill bits for metal Ø3 to Ø13 mm
- Drill bits for wood Ø3 to Ø25 mm
- Drill bits for concrete Ø3 to Ø15 mm
- 6,35 mm (1/4") hexagon shank screwdriver bits

Maintenance



WARNING: Always ensure that the tool is switched off and unplugged before attempting to perform inspection or maintenance.

BRUSH REPLACEMENT

This power tool is equipped with auto-stop brushes. When the carbon brushes are worn out, the machine switches itself off. In this case both brushes must be replaced simultaneously with genuine brushes at SPARKY service centre for warranty and post-warranty service.

GENERAL INSPECTION

Regularly inspect all fasteners and ensure they are properly tightened. Should any of the screws be loose, retighten it immediately to avoid hazards.

If the replacement of the supply cord is necessary, this has to be done by the manufacturer or his agent in order to avoid a safety hazard.

CLEANING

For safe operation always keep the machine and its ventilation slots clean.

Regularly check to see if any dust or foreign matter has entered the ventilation slots and the grills around the switches. Use a soft brush and/or air jet to remove any accumulated dust. Wear safety glasses to protect your eyes whilst cleaning.

Exterior plastic parts may be cleaned with a damp cloth and mild detergent if necessary.



WARNING: Never use alcohol, petrol or other cleaning agent. Never use caustic agents to clean plastic parts.



WARNING: Water must never come into contact with the tool.

IMPORTANT! To assure product safety and reliability, repairs, maintenance and adjustment (including brush inspection and replacement) should be performed by certified service centres or other qualified service organisations, always using genuine replacement parts.

Warranty

The guarantee period for SPARKY power tools is determined in the guarantee card.

Faults due to normal wear, overloading or improper handling will be excluded from the guarantee.

Faults due to defective materials implemented as well as defects in workmanship will be corrected free of charge through replacement or repair.

The complaints for defective SPARKY power tools will be recognized if the machine is sent back to the dealer or is presented to the authorised warranty service centre undismantled, in its initial condition.

Notes

Carefully read the entire Instruction Manual before using this product.

The manufacturer reserves the right to make changes and improvements to the products and to alter specifications without prior notice. Specifications may differ from country to country.

Inhaltsverzeichnis

Einführung	10
Technische Daten	12
Allgemeine Sicherheitshinweise für Elektrowerkzeuge.....	13
Sicherheitshinweise für Schlagbohrmaschinen	14
Elemente des Elektrowerkzeugs.....	A/16
Arbeitshinweise	16
Wartung	19
Garantie	20

AUSPACKEN

Überprüfen Sie unmittelbar nach dem Auspacken ob sämtliche Bestandteile und das beschriebene Zubehör mitgeliefert wurden. Sollte dies nicht der Fall sein, wenden Sie sich bitte umgehend an Ihren Fachhändler bei dem das Elektrowerkzeug gekauft wurde. Dies trifft auch dann zu, wenn Sie den Eindruck haben mit dem Gerät ist etwas nicht in Ordnung. Eine Nichtbeachtung dieser Empfehlung kann zu schweren Unfällen führen.

EINBAU

Die Bohrmaschine wird komplett montiert (mit Ausnahme des Zusatzhandgriffs) im Koffer oder Karton (je nach Ausführung) geliefert.

Einführung

Das von Ihnen erworbene Elektrowerkzeug wird Ihre Erwartungen übersteigen. Es ist gemäß den hohen Qualitätsstandards von SPARKY hergestellt, die den strengen Anforderungen des Verbrauchers entsprechen. Einfach in der Bedienung und ungefährlich bei richtiger Handhabung, wird dieses Gerät bei bestimmungsgemäßem Gebrauch Ihnen lange Jahre zuverlässig dienen.

WARNUNG!



Lesen Sie die ganze Originalbetriebsanleitung aufmerksam durch, bevor Sie das neu erworbene SPARKY – Elektrowerkzeug in Betrieb nehmen. Beachten Sie besonders die Texte, die mit dem Wört „Warnung“ beginnen. Ihr SPARKY - Elektrowerkzeug besitzt viele Eigenschaften, die Ihre Arbeit erleichtern werden. Bei der Entwicklung dieses Elektrowerkzeuges ist höchste Aufmerksamkeit der Sicherheit, den Betriebseigenschaften und der Zuverlässigkeit gewidmet worden, die es einfach zur Wartung und Bedienung machen.



Keine elektrischen Geräte zusammen mit dem Hausmüll wegwerfen!

Die Abfälle von elektrischen Erzeugnissen sollen nicht zusammen mit dem Hausmüll gesammelt werden. Für eine umweltgerechte Entsorgung geben Sie Ihren alten / defekten Elektrogeräte bitte in der nächsten kommunalen Sammelstelle ab.

UMWELTSCHUTZ



Angesichts des Umweltschutzes sollen das Elektrowerkzeug, die Zubehörteile und die Verpackung einer geeigneten Wiederverwertung zugeführt werden.

Zum sortenreinen Recycling sind die Teile, hergestellt aus Kunststoffen, entsprechend gekennzeichnet.

BEDEUTUNG DER SYMBOLE

Auf dem Typenschild des Elektrowerkzeuges sind spezielle Symbole dargestellt. Sie stellen wichtige Information über das Produkt oder Instruktionen für seine Nutzung dar.



Doppelte Isolierung für zusätzlichen Schutz.



Entspricht den einschlägigen Europäischen Richtlinien.



Entspricht den Anforderungen der Zollunion-Regelungen.



Entspricht den Anforderungen der ukrainischen normativen Dokumenten.



Lesen Sie die Originalbetriebsanleitung.


YYYY-Www Zeitabschnitt der Produktion, wobei die variablen Symbole sind:

YYYY - Kalenderjahr der Produktion,

ww - laufende Kalenderwoche.

BU, BUR Schlagbohrmaschine.

Technische Daten

Modell	BU 150	BUR 150E	BUR 150CET
Nennaufnahme	650 W	600 W	600 W
Leerlaufdrehzahl	2800 min ⁻¹	0-2800 min ⁻¹	500-2500 min ⁻¹
Elektronische Drehzahlregelung	nein	ja	ja
Elektronische Drehmomentregelung	nein	nein	ja
Drehrichtungswechsel	nein	ja	ja
Bohrfutterkapazität	1.5-13 mm	1.5-13 mm	1.5-13 mm
Max. Bohrdurchmesser			
Bohr Ø Stahl	13 mm	13 mm	13 mm
Bohr Ø Holz	25 mm	25 mm	25 mm
Bohr Ø Beton	15 mm	15 mm	15 mm
Gewicht (EPTA Verfahren 01/2014)	2.0 kg	2.0 kg	2.0 kg
Schutzklasse (EN 60745-1) 	II	II	II

GERÄUSCH-/VIBRATIONSINFORMATION

Messwerte ermittelt entsprechend EN 60745.

Geräuschemissionswerte

Der A-bewertete Schalldruckpegel L _{pA}	96.0 dB (A)	96.0 dB (A)	96.0 dB (A)
Unsicherheit K _{pA}	3.0 dB (A)	3.0 dB (A)	3.0 dB (A)
Der A-bewertete Schalleistungspegel L _{WA}	107.0 dB (A)	107.0 dB (A)	107.0 dB (A)
Unsicherheit K _{WA}	3.0 dB (A)	3.0 dB (A)	3.0 dB (A)

Gehörschutz tragen!

Schwingungsemissionswerte *

Schwingungsgesamtwerte (Vektorsumme dreier Richtungen) ermittelt entsprechend EN 60745:

Schlagbohren in Beton			
Schwingungsemissionswert a _{h,D}	23.0 m/s ²	23.0 m/s ²	23.0 m/s ²
Unsicherheit K _D	1.5 m/s ²	1.5 m/s ²	1.5 m/s ²
Bohren in Metall			
Schwingungsemissionswert a _{h,D}	6.0 m/s ²	6.0 m/s ²	6.0 m/s ²
Unsicherheit K _D	1.5 m/s ²	1.5 m/s ²	1.5 m/s ²
Einschrauben/Lösen			
Schwingungsemissionswert a _h			<2.5 m/s ²
Unsicherheit K	1.5 m/s ²	1.5 m/s ²	1.5 m/s ²

* Messwerte ermittelt nach 6.2.7 EN 60 745.

Der in diesen Anweisungen angegebene Schwingungspegel ist entsprechend einem in EN 60745 genormten Messverfahren gemessen worden und kann für den Vergleich von Elektrowerkzeugen miteinander verwendet werden. Er eignet sich auch für eine vorläufige Einschätzung der Schwingungsbelastung.

Der angegebene Schwingungspegel repräsentiert die hauptsächlichen Anwendungen des Elektrowerkzeugs. Wenn allerdings das Elektrowerkzeug für andere Anwendungen, mit abweichenden Einsatzwerkzeugen oder ungenügender Wartung eingesetzt wird, kann der Schwingungspegel abweichen. Dies kann die Schwingungsbelastung über den gesamten Arbeitszeitraum deutlich erhöhen.

Für eine genaue Abschätzung der Schwingungsbelastung sollten auch die Zeiten berücksichtigt werden, in denen das Gerät abgeschaltet ist oder zwar läuft, aber nicht tatsächlich im Einsatz ist. Dies kann die Schwingungsbelastung über den gesamten Arbeitszeitraum deutlich reduzieren.

Pflegen Sie das Gerät und die Einsatzwerkzeuge mit Sorgfalt. Halten Sie Ihre Hände warm während der Arbeit – dies wird die schädliche Einwirkung erhöhter Schwingungen reduzieren.

Stäube von Materialien wie bleihaltigem Anstrich, einigen Holzarten, Mineralien und Metall können gesundheitsschädlich sein. Berühren oder Einatmen der Stäube können allergische Reaktionen und/oder Atemwegserkrankungen des Benutzers oder in der Nähe befindlicher Personen hervorrufen.

Bestimmte Stäube wie Eichen- oder Buchenstaub gelten als krebserzeugend, besonders in Verbindung mit Zusatzstoffen zur Holzbehandlung (Chromat, Holzschutzmittel). Asbesthaltiges Material darf nur von Fachleuten bearbeitet werden.

- Benutzen Sie möglichst eine Staubabsaugung.
 - Sorgen Sie für gute Belüftung des Arbeitsplatzes.
 - Es wird empfohlen, eine Atemschutzmaske mit Filterklasse P2 zu tragen.
- Beachten Sie in Ihrem Land gültige Vorschriften für die zu bearbeitenden Materialien.

Allgemeine Sicherheitshinweise für Elektrowerkzeuge



WARNUNG: Lesen Sie alle Sicherheitshinweise und Anweisungen. Versäumnisse bei der Einhaltung der Sicherheitshinweise und Anweisungen können elektrischen Schlag, Brand und/oder schwere Verletzungen verursachen.

Bewahren Sie alle Sicherheitshinweise und Anweisungen für die Zukunft auf.

Der in den Sicherheitshinweisen verwendete Begriff „Elektrowerkzeug“ bezieht sich auf netzbetriebene Elektrowerkzeuge (mit Netzkabel) und auf akkubetriebene Elektrowerkzeuge (ohne Netzkabel).

1) Arbeitsplatzsicherheit

- Halten Sie Ihren Arbeitsbereich sauber und gut beleuchtet. Unordnung oder unbeleuchtete Arbeitsbereiche können zu Unfällen führen.
- Arbeiten Sie mit dem Elektrowerkzeug nicht in explosionsgefährdeter Umgebung, in der sich brennbare Flüssigkeiten, Gase oder Stäube befinden. Elektrowerkzeuge erzeugen Funken, die den Staub oder die Dämpfe entzünden können.
- Halten Sie Kinder und andere Personen während der Benutzung des Elektrowerkzeugs fern. Bei Ablenkung können Sie die Kontrolle über das Gerät verlieren.

2) Elektrische Sicherheit

- Der Anschlussstecker des Elektrowerkzeuges muss in die Steckdose passen. Der Stecker darf in keiner Weise verändert werden. Verwenden Sie keine Adapterstecker gemeinsam mit Schutzgeerdeten Elektrowerkzeugen. Unveränderte Stecker und passende Steckdosen verringern das Risiko eines elektrischen Schlages.
- Vermeiden Sie Körperkontakt mit geerdeten Oberflächen wie von Rohren, Hei-

zungen, Herden und Kühlschränken. Es besteht ein erhöhtes Risiko durch elektrischen Schlag, wenn Ihr Körper geerdet ist.

- Halten Sie Elektrowerkzeuge von Regen oder Nässe fern. Das Eindringen von Wasser in ein Elektrowerkzeug erhöht das Risiko eines elektrischen Schlages.
- Zweckentfremden Sie das Kabel nicht, um das Elektrowerkzeug zu tragen, aufzuhängen oder um den Stecker aus der Steckdose zu ziehen. Halten Sie das Kabel fern von Hitze, Öl, scharfen Kanten oder sich bewegenden Geräteteilen. Beschädigte oder verwickelte Kabel erhöhen das Risiko eines elektrischen Schlages.
- Wenn Sie mit einem Elektrowerkzeug im Freien arbeiten, verwenden Sie nur Verlängerungskabel, die auch für den Außenbereich geeignet sind. Die Anwendung eines für den Außenbereich geeigneten Verlängerungskabels verringert das Risiko eines elektrischen Schlages.
- Wenn der Betrieb des Elektrowerkzeuges in feuchter Umgebung nicht vermeidbar ist, verwenden Sie einen Fehlerstromschutzschalter. Der Einsatz eines Fehlerstromschutzschalters vermindert das Risiko eines elektrischen Schlages.

3) Sicherheit von Personen

- Seien Sie aufmerksam, achten Sie darauf, was Sie tun, und gehen Sie mit Vernunft an die Arbeit mit einem Elektrowerkzeug. Benutzen Sie kein Elektrowerkzeug, wenn Sie müde sind oder unter dem Einfluss von Drogen, Alkohol oder Medikamenten stehen. Ein Moment der Unachtsamkeit beim Gebrauch des Elektrowerkzeuges kann zu ernsthaften Verletzungen führen.
- Tragen Sie persönliche Schutzausrüstung und immer eine Schutzbrille. Das Tragen persönlicher Schutzausrüstung, wie Staubmaske, rutschfeste Sicherheitsschuhe, Schutzhelm oder Gehörschutz, je nach Art und Einsatz des Elektrowerkzeuges, verringert das Risiko von Verletzungen.
- Vermeiden Sie eine unbeabsichtigte Inbetriebnahme. Vergewissern Sie sich, dass das Elektrowerkzeug ausgeschal-

tet ist, bevor Sie es an die Stromversorgung und/oder den Akku anschließen, es aufnehmen oder tragen. Wenn Sie beim Tragen des Elektrowerkzeuges den Finger am Schalter haben oder das Gerät eingeschaltet an die Stromversorgung anschließen, kann dies zu Unfällen führen.

- d) Entfernen Sie Einstellwerkzeuge oder Schraubenschlüssel, bevor Sie das Elektrowerkzeug einschalten. Ein Werkzeug oder Schlüssel, der sich in einem drehenden Geräteteil befindet, kann zu Verletzungen führen.
- e) Vermeiden Sie eine abnormale Körperhaltung. Sorgen Sie für einen sicheren Stand und halten Sie jederzeit das Gleichgewicht. Dadurch können Sie das Elektrowerkzeug in unerwarteten Situationen besser kontrollieren.
- f) Tragen Sie geeignete Kleidung. Tragen Sie keine weite Kleidung oder Schmuck. Halten Sie Haare, Kleidung und Handschuhe fern von sich bewegenden Teilen. Lockere Kleidung, Schmuck oder lange Haare können von sich bewegenden Teilen erfasst werden.
- g) Wenn Staubabsaug- und -auffangeinrichtungen montiert werden können, vergewissern Sie sich, dass diese angeschlossen sind und richtig verwendet werden. Verwendung einer Staubabsaugung kann Gefährdungen durch Staub verringern.

4) Verwendung und Behandlung des Elektrowerkzeuges

- a) Überlasten Sie das Gerät nicht. Verwenden Sie für Ihre Arbeit das dafür bestimmte Elektrowerkzeug. Mit dem passenden Elektrowerkzeug arbeiten Sie besser und sicherer im angegebenen Leistungsbereich.
- b) Benutzen Sie kein Elektrowerkzeug, dessen Schalter defekt ist. Ein Elektrowerkzeug, das sich nicht mehr ein- oder ausschalten lässt, ist gefährlich und muss repariert werden.
- c) Ziehen Sie den Stecker aus der Steckdose und/oder entfernen Sie den Akku, bevor Sie Geräteeinstellungen vornehmen, Zubehörteile wechseln oder das Gerät weglegen. Diese Vorsichtsmaßnahme verhindert den unbeabsichtigten Start des Elektrowerkzeuges.
- d) Bewahren Sie unbenutzte Elektrowerkzeuge außerhalb der Reichweite von Kindern auf. Lassen Sie Personen das

Gerät nicht benutzen, die mit diesem nicht vertraut sind oder diese Anweisungen nicht gelesen haben. Elektrowerkzeuge sind gefährlich, wenn Sie von unerfahrenen Personen benutzt werden.

- e) Pflegen Sie Elektrowerkzeuge mit Sorgfalt. Kontrollieren Sie, ob bewegliche Teile einwandfrei funktionieren und nicht klemmen, ob Teile gebrochen oder so beschädigt sind, dass die Funktion des Elektrowerkzeuges beeinträchtigt ist. Lassen Sie beschädigte Teile vor dem Einsatz des Gerätes reparieren. Viele Unfälle haben ihre Ursache in schlecht gewarteten Elektrowerkzeugen.
 - f) Halten Sie Schneidwerkzeuge scharf und sauber. Sorgfältig gepflegte Schneidwerkzeuge mit scharfen Schneidkanten verklemmen sich weniger und sind leichter zu führen.
 - g) Verwenden Sie Elektrowerkzeug, Zubehör, Einsatzwerkzeuge usw. entsprechend diesen Anweisungen. Berücksichtigen Sie dabei die Arbeitsbedingungen und die auszuführende Tätigkeit. Der Gebrauch von Elektrowerkzeugen für andere als die vorgesehenen Anwendungen kann zu gefährlichen Situationen führen.
- #### 5) Service
- a) Lassen Sie Ihr Elektrowerkzeug nur von qualifiziertem Fachpersonal und nur mit Original-Ersatzteilen reparieren. Damit wird sichergestellt, dass die Sicherheit des Elektrowerkzeuges erhalten bleibt.

Zusätzliche Sicherheitshinweise für Schlagbohrmaschinen



Tragen Sie Gehörschutz bei der Benutzung von Schlagbohrmaschinen. Die Einwirkung von Lärm kann Gehörverlust bewirken.

- Benutzen Sie die mit dem Gerät gelieferten Zusatzhandgriffe. Der Verlust der Kontrolle über die Maschine kann zu Verletzungen führen.



Verwenden Sie während der Arbeit geeignete Augenschutzmittel um sich vor fliegenden Teilchen zu schützen. Tragen Sie eine Schutzbrille.



Treffen Sie Schutzmaßnahmen gegen das Einatmen von Staub. Manche Werkstoffe können toxische Bestandteile enthalten. Tragen Sie eine Staubschutzmaske.

- Halten Sie das Gerät nur an den isolierten Griffflächen, wenn Sie Arbeiten ausführen, bei denen das Einsatzwerkzeug verborgene Stromleitungen oder das eigene Netzkabel treffen kann. Der Kontakt mit einer spannungsführenden Leitung kann auch metallene Geräteteile unter Spannung setzen und zu einem elektrischen Schlag führen.
- Bearbeiten Sie keine Werkstoffe die Asbest enthalten. Asbest gilt als krebserregend.



WARNUNG: Bevor Sie das Elektrogerät an das Stromnetz anschließen, überzeugen Sie sich, dass die Versorgungsspannung der angegebenen Spannung auf der Tabelle mit den technischen Daten (auf dem Typenschild) des Elektrogeräts entspricht.

- Eine höhere Spannung als auf dem Typenschild angegeben kann ernsthafte Verletzungen für den Bediener und Schäden am Elektrowerkzeug hervorrufen.
- Wenn sie Zweifel haben, stecken Sie den Stecker des Elektrowerkzeugs nicht in die Steckdose.
- Niedrigere Spannung als auf dem Typenschild angegeben kann das Elektrowerkzeug beschädigen.
- Um ein eventuelles Überhitzen eines Verlängerungskabels zu vermeiden, wickeln Sie das Kabel der Kabeltrommel immer bis zum Ende ab.
- Falls das Benutzen eines Verlängerungskabels erforderlich ist, überzeugen Sie sich, dass der Querschnitt des Kabels dem Nennstrom des benutzten Elektrowerkzeuges entspricht. Überzeugen Sie sich von der Funktionstüchtigkeit des Kabels und prüfen Sie es auf Schäden.



WARNUNG: Schalten Sie das Elektrowerkzeug vor jeglichen Einstellungs-, Wartungs- und Reparaturarbeiten aus und trennen Sie es vom Netz. Das gleiche gilt bei Stromausfall (Gefahr des unbeabsichtigten Wiederanlaufens).

- Wenn Sie arbeiten, halten Sie die Maschine mit den beiden Händen fest und nehmen Sie eine stabile Körperhaltung ein. Sie können das Elektrowerkzeug sicherer führen, wenn Sie es mit beiden Händen halten.
- Überprüfen Sie vor dem Beginn der Arbeit die Stelle die sie anbohren wollen mit einem geeigneten Metallsuchgerät auf versteckte Strom-, Gas- oder Wasserleitungen. Die Berührung des Bohrers mit einer verborgenen Elektroinstallation kann einen Brand oder eine Verletzung durch den elektrischen Strom hervorrufen. Der Schaden an einer Gasleitung kann eine Explosion hervorrufen. Das Durchbrechen einer Wasserleitung wird einen Wasserschaden oder eine Verletzung durch elektrischen Strom hervorrufen.
- Halten Sie das Versorgungskabel außerhalb des Arbeitsbereiches der Maschine.
- Arbeiten Sie nicht mit dem Elektrowerkzeug wenn das Netzkabel beschädigt ist. Berühren Sie nicht die beschädigte Leitung. Ziehen Sie den Stecker aus der Steckdose wenn das Kabel während der Arbeit beschädigt wird. Beschädigte Kabel erhöhen das Risiko eines Stromschlags.
- Immer stabile Körperhaltung einnehmen. Wenn Sie mit dem Elektrowerkzeug z. B. auf einer Leiter Höhe arbeiten, stellen sie immer sicher, dass sich niemand darunter befindet.
- Fixieren Sie das Werkstück, das Sie bearbeiten, in einem Schraubstock oder auf eine andere geeignete Weise
- Achten Sie auf das Drehmoment beim Anlauf der Bohrmaschine oder bei einer Blockierung des Bohrers.
- Berühren Sie den Bohrer oder das bearbeitete Werkstück nicht gleich nach der Arbeit. Sie können sehr heiß sein und können eine Verbrennung der Haut hervorrufen.
- Halten Sie Ihren Arbeitsplatz immer sauber. Das Eindringen von Staub unterschiedlicher Materialien ist besonders gefährlich. Der Staub von leichten Metallen kann brennen oder explodieren.
- Lassen Sie niemals Lappen, Leitungen oder Draht in der Nähe des Arbeitsplatzes.
- Schalten Sie immer die Maschine aus, bevor Sie sie beiseite legen.
- Verwenden Sie das Gerät nur gemäß seinem bestimmten Zweck. Jeder andere Gebrauch, unterschiedlich vom beschriebenen in dieser Anleitung, wird man als nicht korrekter Gebrauch betrachtet. Die Haftung für jeden Schaden oder Verletzung, entstanden durch

einen nicht korrekten Gebrauch, trägt in diesem Fall der Benutzer und nicht der Hersteller.

- Um Sie dieses Elektrowerkzeug korrekt zu benutzen, müssen Sie die Sicherheitsvorschriften, sowie die allgemeinen Anleitungen und Arbeitshinweise, angegeben im vorliegenden Dokument beachten. Alle Benutzer müssen sich mit dieser Betriebsanleitung bekannt machen und müssen über die potentiellen Risiken bei der Arbeit mit dem Elektrowerkzeug informiert werden. Kinder und körperlich schwache Menschen dürfen das Elektrowerkzeug nicht benutzen. Kinder müssen ununterbrochen beaufsichtigt werden wenn sie sich in der Nähe der Stelle, wo man mit dem Elektrowerkzeug arbeitet befinden. Treffen Sie unbedingt vorbeugende Sicherheitsmaßnahmen. Das gleiche betrifft auch die Einhaltung der Vorschriften für die berufliche Sicherheit und für Gesundheit.
- Der Hersteller trägt keine Haftung für vom Benutzer gemachte Änderungen des Elektrowerkzeuges oder für Schaden, verursacht durch solche Änderungen.
- Das Elektrowerkzeug darf nicht im Freien bei Regenwetter, in einer feuchten Umgebung (nach einem Regen) oder in der Nähe von leicht entzündbaren Flüssigkeiten und Gasen benutzt werden. Die Arbeitsstelle muss gut beleuchtet sein.

Elemente des Elektrowerkzeugs

Vor dem Beginn der Arbeit mit der Bohrmaschine machen Sie sich mit allen operativen Besonderheiten und Sicherheitsbedingungen bekannt. Benutzen Sie das Elektrowerkzeug und das Zubehör dazu nur zweckmäßig. Jede andere Anwendung ist ausdrücklich verboten.

1. Sicherungsschraube (BUR150E, BUR150CET)
2. Bohrfutter
3. Spindelfixierungsstelle
4. Gerätehals
5. Betriebsartensumschalter
6. Lüftungsöffnungen
7. Tiefenanschlag
8. Zusatzgriff
9. Drehrichtungs-schaltthebel BUR 150E, BUR 150CET)
10. Elektronischer Drehzahlregler (BUR 150E, BUR 150CET)

11. Ein-Aus-Schalter
12. Schalterfeststellknopf
13. Drehmomentregler
14. Grüne Leuchtdiode
15. Rote Leuchtdiode

Arbeitshinweise

Dieses Elektrowerkzeug wird mit einphasiger Wechselspannung versorgt. Man kann es an Kontaktsteckdosen ohne Schutzklemmen anschließen. Es ist nach EN 60745-1 und IEC 60745 doppelt isoliert. Die Funkstörungen entsprechen der EMV-Richtlinie zur Elektromagnetischen Verträglichkeit.

Dieses Elektrowerkzeug ist zum Bohren von Lochern in Stahl, Holz, Kunststoff u.a. bestimmt. In der Betriebsart „Schlagbohren“ können Locher in Beton, Gestein, Mauerwerk und anderen brockeligen Materialien gebohrt werden.

Die eingebaute CET-Elektronik (BUR 150CET) mit Drehmomentregelung erlaubt das Benutzen des Geräts zum Eindrehen von Schrauben.

BEVOR SIE MIT DER ARBEIT BEGINNEN

- Überprüfen Sie ob die Spannung des Versorgungsnetzes der auf dem Typenschild mit den technischen Daten des Elektrowerkzeuges angegebenen Spannung entspricht.
- Überprüfen Sie in welcher Stellung der sich Schalter befindet. Das Gerät darf nur mit ausgeschaltet ans Netz angeschlossen und vom Netz getrennt werden. Falls Sie den Netzstecker in die Steckdose stecken wenn das Gerät eingeschaltet ist wird es sofort beginnen anzulaufen was die Voraussetzung für einen schweren Unfall sein kann.
- Überzeugen Sie sich vom ordnungsgemäßen Zustand des Versorgungskabels und des Steckers. Falls das Versorgungskabel beschädigt ist, darf es nur vom Hersteller oder einem autorisierten Servicefachmann ausgetauscht werden um eventuelle Gefährdungen zu vermeiden.



WARNUNG: Schalten Sie das Elektrowerkzeug vor jeglichen Einstellungs-, Wartungs- und Reparaturarbeiten aus und trennen Sie es vom Netz. Das gleiche gilt bei Stromausfall (Gefahr des unbeabsichtigten Wiederanlaufens).

- Wenn die Arbeitszone von der Stromquelle entfernt ist, benutzen Sie ein so kurz wie möglich Verlängererkabel mit geeignetem Querschnitt.
- Überprüfen Sie ob der Zusatzhandgriff richtig sitzt und festgezogen ist.



WARNUNG: Überprüfen Sie vor dem Arbeitsbeginn immer die Drehrichtung. Benutzen Sie den Hebel zum Wechseln der Drehrichtung nur wenn die Spindel ihre Drehung ganz gestoppt hat. Die Änderung der Drehrichtung vor dem endgültigen Stoppen der Spindel kann das Elektrowerkzeug beschädigen.

EIN- UND AUSSCHALTEN

Momentschaltung:

- Einschalten: den Schalter 11 drücken. Die Lichtdiode 14 blinkt (BUR150CET).
- Ausschalten: den Schalter 11 loslassen.

Dauerarbeit

- Einschalten: den Schalter 11 drücken und in gedrückter Stellung mit dem Feststellknopf 12 verriegeln.
- Ausschalten: den Schalter 11 kurzzeitig drücken und sofort loslassen.

STUFENLOSE ELEKTRONISCHE DREHZAHREGELUNG (BUR 150E)

Durch leichtes Drücken des Schalters 11 wird die Bohrmaschine mit niedrigen Drehzahlen angefahren, die durch Anheben des Druckes auf den Schalter bis zum Anschlag stufenlos bis max erhöht werden.

VORWAHL DER DREHZAHL (BUR 150E, BUR 150CET)

Die notwendige Drehzahl kann durch Drehen des elektronischen Reglers 10 in Richtung Uhrzeigersinn oder entgegengesetzt vorgewählt werden.

DREHRICHTUNGSWECHSEL (BUR 150E, BUR 150CET)

Die Endstellung rechts des Hebels 9 bedeutet Drehen in Richtung Uhrzeigersinn und die Endstellung links - entgegengesetzt.

Bei gedrücktem Schalter 11 kann der Hebel 9 nicht betätigt werden. Ein Drehrichtungswechsel kann nur bei Stillstand der Bohrmaschine erfolgen.

EINSTELLEN DES DREHMOMENTS (BUR 150CET)

Das Drehmoment wird durch den Regler des Drehmoments 13 ausgewählt, indem:

- die Stellung I dem niedrigsten ausschaltenden Drehmoment entspricht;
- die Stellung III dem höchsten ausschaltenden Drehmoment entspricht.

In normalem Bohrregime ist das maximale Drehmoment zu verwenden. Mit niedriger Drehzahl und hohem Drehmoment andauernd nicht arbeiten.

LICHTDIODENANZEIGE (BUR 150CET)

Grüne Lichtdiode 14 - dient als Indikator für die Spindeldrehrichtung des Elektrowerkzeuges:

- leuchtet stetig: die Maschine ist am Netz eingeschaltet, Spindeldrehrichtung nach rechts ausgewählt.

- leuchtet mit Blinklicht: die Maschine ist am Netz eingeschaltet, Drehrichtung nach links ausgewählt.

Rote Lichtdiode 15 - dient als Indikator für den Einlauf der Momentkontrolle:

- leuchtet stetig: die Maschine ist am Netz eingeschaltet, Einlauf der Einrichtung zur Momentkontrolle.

- leuchtet mit Blinklicht: die Maschine ist am Netz eingeschaltet, die Speisespannung hat Unterbrechung gehabt.

Damit die Normalfunktion wiederherstellt, ist es notwendig, das Elektrowerkzeug auszuschalten und nachdem wieder durch den Anlaßschalter einzuschalten.

BETRIEBSARTENUMSCHALTUNG

- Bohren von Löchern in Metall, Holz u.a.

Der Umschalter 5 ist in Endstellung rechts und das Zeichen "Bohre" ist sichtbar.

- Bohren von Löchern in Beton, Gestein u.a.

Der Umschalter 5 ist in Endstellung links und das Zeichen "Hammer" ist sichtbar.

Die Betriebsartenumschaltung kann auch bei eingeschalteter Bohrmaschine erfolgen.

EINSETZEN UND FESTZIEHEN EINES BOHRERS

Bei Maschinen mit Zahnkranzbohrfutter:

Durch Drehen am Kranz des Zahnkranzbohrfutters 2 in Richtung Uhrzeigersinn oder entgegengesetzt, bewegen sich die Backen zu einer solchen Stellung, daß der Schaft des Bohrers eingeführt werden kann. Durch Drehen des

Kranzes des Zahnkranzbohrfutters 2 in Richtung Uhrzeigersinn wird der Schaft des Bohrers von den Backen eingeklemmt. Mit dem Sonderbohrfutterschlüssel wird der Bohrer endgültig in das Bohrfutter durch gleichmäßigen Drehen in den drei Öffnungen festgezogen.

Bei Maschinen mit Schnellspannbohrfutter:

Den hinteren Kranz des Zahnkranzbohrfutters festhalten, dabei den vorderen Kranz soweit drehen, bis sich das Bohrfutter weit genug für das Einlegen des Bohrers öffnet. Danach den vorderen Kranz mit der Hand festziehen, bis ein deutliches Klicken zu hören ist.

DEMONTAGE DES BOHRFUTTERS

Bei Maschinen mit Zahnkranzbohrfutter:

Die Backen des Bohrfutters 2 soweit wie möglich öffnen. Mit einem Schraubenzieher die Sicherungsschraube mit Linksgewinde lösen. Die Stelle zur Fixierung der Spindel 3 mit einem Schraubenschlüssel erfassen. Den Sonderschlüssel zum Festziehen des Bohrfutters in eine der drei Öffnungen einlegen. Durch Drehen in Richtung entgegengesetzt dem Uhrzeigersinn das Bohrfutter 2 von der Spindel aufdrehen, wobei der Schlüssel als Hebel benutzt wird.

Bei Maschinen mit Schnellspannbohrfutter:

Den hinteren Kranz des Bohrfutters festhalten und den vorderen Kranz drehen, bis sich das Bohrfutter völlig geöffnet hat. Mit einem Schraubenzieher die Sicherungsschraube mit Linksgewinde lösen. In das Bohrfutter ein Sechskantendstück oder den Einsatz zum Eindrehen von Schrauben legen und festziehen. Die Stelle zur Fixierung der Spindel 3 mit einem Schraubenschlüssel erfassen und das Bohrfutter in Richtung entgegengesetzt dem Uhrzeigersinn durch das freie Ende des Endstücks drehen.

LÖSEN UND EINDREHEN VON BOLZEN, SCHRAUBEN UND MUTTERN. (BUR 150E, BUR150CET)

Das Bohrfutter 2 auf die oben beschriebene Weise demontieren und den entsprechenden Einsatz zum Eindrehen oder Lösen von Bolzen, Muttern oder Schrauben direkt in die Spindel montieren. Den Betriebsartenumschalter 5 in Endstellung rechts stellen, so daß das ganze Zeichen "Bohrer" sehen zu können. Durch den Hebel 9 zum Drehrichtungswechsel wird die Operation Lösen oder Eindrehen ausgewählt. Die Operationen nur bei niedriger Drehzahl vorrichten.



WARNUNG: Vorsicht beim Eindrehen langer Bolzen und Schrauben. Abrutschgefahr.

RATSCHLÄGE ZUM EINDREHEN VON SCHRAUBEN:

- Nur solche Einsätze zum Eindrehen benutzen, die in Form und Größe passend sind;
- In Weichholz können die passenden Schrauben ohne vorheriges Durchbohren eingedreht werden;
- In Hartholz sollen für Schrauben mit größerem Durchmesser vorher entsprechende Löcher gebohrt werden;
- Um den Kopf der Schraube zu verstecken, soll für ihn ein entsprechendes Loch erarbeitet werden;
- Für Schrauben für Holz mit zylindrischem Teil ohne Gewinde werden vorher Löcher, die Hälfte der Schraubenlänge tief, gebohrt.

ZUSATZGRIFF

Der Zusatzgriff 8 wird am Hals 4 der Bohrmaschine festgespannt. Durch den Tiefenanschlag 7 kann die Bohrtiefe fixiert werden.

EMPFEHLUNGEN ZUR ARBEIT MIT DER BOHRMASCHINE

Bei Durchbohren in Beton einen gemäßigten Druck (ungefähr 80-100N) anwenden. Der große Druck erhöht nicht die Bohrleistung und führt zur Verkürzung des Maschinenlebens. Bei Maschinen mit elektronischem Regler mit Drehzahlen unter maximalen bohren, indem die Drehzahl in Abhängigkeit von dem Materialauswählen.

Bohrer mit Hartmetallplatten und Zylinderschaft benutzen. Von Zeit zu Zeit den Bohrer aus der Öffnung herausziehen, um den Staub zu beseitigen.

Den Abstumpfegrad des Bohrers folgen und ihn ersetzen, wenn eine wesentliche Verminderung der Leistung bemerkt wird. Nicht gleich mit großem Durchmesser bohren, zuerst mit kleinerem Bohrer arbeiten.

Der optimale Bereich bei Durchbohren in Beton ist bis zu 10 mm, der zulässige Bereich - bis zu 15 mm.

ZUBEHÖR, DAS MIT DIESEM ELEKTROWERKZEUG BENUTZT WERDEN KANN

- Metallbohrer mit Durchmesser von Ø3 bis Ø13 mm
- Holzbohrer mit Durchmesser von Ø3 bis Ø25 mm
- Betonbohrer mit Durchmesser von Ø3 bis Ø15 mm
- Sechskanteinsatz 6,35 mm (1/4") zum Lösen und Eindrehen von Schrauben.

Wartung



WARNUNG: Vor jeder Wartung oder Überprüfung das Elektrowerkzeug immer ausschalten und den Stecker aus der Steckdose ziehen.

AUSWECHSELN DER BÜRSTEN

Das Elektrowerkzeug ist mit Selbstausschaltenden Bürsten ausgerüstet. Wenn die Bürsten abgenutzt sind, schaltet sich die Maschine von selbst aus. In solchem Fall sollen beide Bürsten gleichzeitig durch Originalbürsten im SPARKY – Kundendienst ausgewechselt werden.

ALLGEMEINE ÜBERPRÜFUNG

Überprüfen Sie regelmäßig alle Befestigungselemente um sich zu überzeugen, dass sie fest angezogen sind. Falls einige der Schrauben lose sind, sofort festziehen, um Risikosituationen zu vermeiden.

Falls das Versorgungskabel beschädigt ist, darf es nur vom Hersteller oder einem autorisierten Servicefachmann ausgetauscht werden um eventuelle Gefährdungen zu vermeiden.

REINIGUNG

Für den sicheren Betrieb die Maschine und die Belüftungsöffnungen immer sauber halten.

Regelmäßig überprüfen, ob in die Belüftungsöffnungen des Motors oder um die Umschalter Staub oder Fremdkörper eingedrungen sind.

Weichte Bürste und/oder Druckluft für die Entfernung des Staubes verwenden. Um die Augen während der Reinigung zu schützen, Schutzbrille tragen.

Das Gehäuse der Maschine gegebenenfalls mit einem weichen feuchten Tuch abwischen. Hierfür kann zusätzlich eine schwache Reinigungslösung (Spülmittel) verwendet werden.



WARNUNG: Die Verwendung von Benzin oder anderen Lösungsmitteln ist unzulässig. Nie ätzende Präparate für die Reinigung der Kunststoffteile verwenden.



WARNUNG: Vermeiden Sie unbedingt das Wasser in die Maschine (z.B. durch die Lüftungsschlitze) eindringt.

WICHTIG! Um einen sicheren Betrieb des Elektrowerkzeuges und seine Zuverlässigkeit zu gewährleisten, sollten alle Arbeiten zur Reparatur, Wartung und Regelung (einschl. auch die Überprüfung und das Auswechseln der Bürsten) nur in den zuständigen Kundendiensten von SPARKY beim Verwenden von Originalersatzteilen durchgeführt werden.

Garantie

Die Garantiefrist der SPARKY-Elektrowerkzeuge wird im Garantieschein bestimmt.

Schäden, die auf natürliche Abnutzung, Überlastung oder unsachgemäße Handhabung zurückzuführen sind, bleiben von der Garantie ausgeschlossen.

Schäden, die durch Material- und/oder Herstellerfehler entstanden sind, werden unentgeltlich durch Ersatzlieferung oder Reparatur beseitigt.

Beanstandungen bezüglich eines beschädigten SPARKY-Elektrowerkzeugs können nur anerkannt werden, wenn das Gerät unzerlegt (im ursprünglichen Zustand) dem Lieferanten oder der befugten Kundendienstwerkstatt vorgelegt wird.

Hinweise

Lesen Sie sorgfältig die ganze Betriebsanweisung bevor Sie beginnen, das Erzeugnis zu verwenden.

Der Hersteller behält sich das Recht vor, Verbesserungen und Änderungen in seinen Erzeugnissen einzuführen und die Spezifikationen ohne Voranmeldung zu ändern.

Die Spezifikationen können sich in den verschiedenen Ländern unterscheiden.

Sommaire

Introduction	21
Données techniques	23
Avertissements de sécurité généraux pour l'outil.....	24
Avertissements de sécurité de la perceuse a percussion.....	25
Présentation de la machine	A/27
Indications de travail	27
Maintenance	29
Garantie	30

DEBALLAGE

Grâce aux techniques modernes de fabrication, il est improbable que votre outil soit défectueux ou qu'une pièce soit manquante. Si toutefois vous trouvez une anomalie, n'utilisez pas l'outil avant que les pièces aient été remplacées ou le défaut corrigé. Ne pas observer cette règle pourrait causer des blessures graves.

MONTAGE

La carotteuse livrée en valise est entièrement assemblée.

La carotteuse livrée en boîte est assemblée sauf la poignée supplémentaire.

Introduction

Votre nouvel outil a été conçu et produit selon tous les standards de qualité pour répondre aux exigences les plus élevées. Son exploitation est facile et sécurisée. Et avec une utilisation correcte il vous servira longtemps.

AVERTISSEMENT!



Lire attentivement cette notice originale avant d'utiliser votre nouvel outil. Prêter attention aux sections «Avertissement». Votre outil électrique possède des caractéristiques qui facilitent votre travail.

Cet instrument a été conçu et produit selon toutes les exigences de sécurité pour que son usage et son entretien soient faciles.



Ne pas jeter les outils électroportatifs avec les ordures ménagères!

Les déchets provenant d'outils électroportatifs ne doivent pas être ramassés avec les ordures ménagères. Prière de recycler sur les lieux qui y sont spécialement destinés. Contacter les autorités locales ou un représentant pour des consultations concernant le recyclage.

RESPECT DE L'ENVIRONNEMENT



Récupération des matières premières plutôt qu'élimination des déchets. En vue à la protection de l'environnement, les appareils, comme d'ailleurs leurs accessoires et emballages, doivent pouvoir suivre chacun une voie de recyclage appropriée. Nos pièces en matières artificielles ont été marquées en vue d'un recyclage sélectif des différents matériaux.

LÉGENDE

L'outil électrique porte une plaque décrivant les signes spéciaux. Ils apportent une information importante quant au produit ou des instructions d'utilisation.



Double isolation pour une meilleure sécurité.



Conforme aux directives européennes applicables.



Conforme aux exigences des règlements de l'Union douanière.



En conformité avec les exigences des standards ukrainiens.




Lisez la notice originale.

YYYY-Www Période de production, où, les symboles variables sont les suivants :
YYYY - année de production,
ww – le numéro de la semaine du calendrier.

BU, BUR Perceuse a percussion.

Données techniques

Modèle	BU 150	BUR 150E	BUR 150CET
Puissance absorbée	650 W	600 W	600 W
Vitesse à vide	2800 min ⁻¹	0-2800 min ⁻¹	500-2500 min ⁻¹
Réglage électronique de la vitesse de rotation	non	oui	oui
Réglage électronique du couple de torsion	non	non	oui
Inversion du sens de rotation	non	oui	oui
Capacité de mandrin	1.5-13 mm	1.5-13 mm	1.5-13 mm
Capacité de serrage du mandrin:			
Ø perçage acier	13 mm	13 mm	13 mm
Ø perçage bois	25 mm	25 mm	25 mm
Ø perçage béton	15 mm	15 mm	15 mm
Poids (EPTA procédure 01/2014)	2.0 kg	2.0 kg	2.0 kg
Classe de protection (EN 60745-1) 	II	II	II

INFORMATION CONCERNANT LE BRUIT ET LES VIBRATIONS

Valeurs de mesure obtenues conformément à la EN 60745.

Informations sur le bruit

Le mesure réelle (A) de niveau de

pression acoustique L_{PA} 96.0 dB (A) 96.0 dB (A) 96.0 dB (A)

Incertitude K_{PA} 3.0 dB (A) 3.0 dB (A) 3.0 dB (A)

Le mesure réelle (A) de niveau

d'intensité acoustique L_{WA} 107.0 dB (A) 107.0 dB (A) 107.0 dB (A)

Incertitude K_{WA} 3.0 dB (A) 3.0 dB (A) 3.0 dB (A)

Porter une protection acoustique!

Informations sur les vibrations *

Valeurs totales des vibrations (somme vectorielle de trois sens) établies conformément à EN 60745:

Perçage à percussion dans du béton

Valeur d'émission vibratoire a_{r,D} 23.0 m/s² 23.0 m/s² 23.0 m/s²

Incertitude K_D 1.5 m/s² 1.5 m/s² 1.5 m/s²

Perçage dans de l'acier

Valeur d'émission vibratoire a_{r,D} 6.0 m/s² 6.0 m/s² 6.0 m/s²

Incertitude K_D 1.5 m/s² 1.5 m/s² 1.5 m/s²

Vissage/Dévisage

Valeur d'émission vibratoire a_r <2.5 m/s²

Incertitude K 1.5 m/s² 1.5 m/s² 1.5 m/s²

* Les valeurs des vibrations sont déterminées conformément à la 6.2.7 EN 60745.

L'amplitude d' l'accélération indiquée dans ces instructions d'utilisation a été mesurée suivant les méthodes de mesurage conformément à la norme EN 60745 et peut être utilisée pour une comparaison d'appareils. Le niveau de vibration peut être utilisé pour faire une estimation provisoire du degré d'influence vibratoire.

Le niveau de vibration annoncé concerne la fonction principale de l'outil. Dans des cas où l'outil est destinée à une autre utilisation ou avec d'autres accessoires, ou s'il est mal entretenu, le niveau de vibration peut s'écarter de celui qui a été indiqué. Si c'est le cas, le degré d'influence peut fortement augmenter au cours de l'utilisation. Pour une estimation précise de l'influence vibratoire pendant un certain temps d'utilisation, il est recommandé de prendre aussi en considération les espaces de temps pendant lesquels l'appareil est éteint ou sous tension, mais pas vraiment utilisé. Ceci peut réduire considérablement l'influence vibratoire pendant toute la durée du travail.

Entretenez l'outil et ses accessoires en bon état. Gardez vos mains chaudes au cours de son utilisation – cela va diminuer les conséquences négatives lorsque vous travaillez à des hauts degrés de vibrations.

Les poussières de matériaux tels que peintures contenant du plomb, certains bois, minéraux ou métaux, peuvent être nuisibles à la santé. Toucher ou aspirer les poussières peut entraîner des réac-

tions allergiques et/ou des maladies respiratoires auprès de l'utilisateur ou de personnes se trouvant à proximité.

Certaines poussières telles que les poussières de chêne ou de hêtre sont considérées cancérigènes, surtout en connexion avec des additifs pour le traitement de bois (chromate, lazure). Les matériaux contenant de l'amiante ne doivent être travaillés que par des personnes qualifiées.

- Si possible, utilisez une aspiration des poussières.
- Veillez à bien aérer la zone de travail.
- Il est recommandé de porter un masque respiratoire de la classe de filtre P2.

Respectez les règlements en vigueur dans votre pays spécifiques aux matériaux à traiter.

Avertissements de sécurité généraux pour l'outil



AVERTISSEMENT! Lire tous les avertissements de sécurité et toutes les instructions. Ne pas suivre les avertissements et instructions peut donner lieu à un choc électrique, un incendie et/ou une blessure sérieuse.

Conserver tous les avertissements et toutes les instructions pour pouvoir s'y reporter ultérieurement.

Le terme «outil» dans les avertissements fait référence à votre outil électrique alimenté par le secteur (avec cordon d'alimentation) ou votre outil fonctionnant sur batterie (sans cordon d'alimentation).

1) Sécurité de la zone de travail

- a) **Conserver la zone de travail propre et bien éclairée.** Les zones en désordre ou sombres sont propices aux accidents.
- b) **Ne pas faire fonctionner les outils électriques en atmosphère explosive, par exemple en présence de liquides inflammables, de gaz ou de poussières.** Les outils électriques produisent des étincelles qui peuvent enflammer les poussières ou les fumées.
- c) **Maintenir les enfants et les personnes présentes à l'écart pendant l'utilisation de l'outil.** Les distractions peuvent vous faire perdre le contrôle de l'outil.

2) Sécurité électrique

- a) **Il faut que les fiches de l'outil électrique soient adaptées au socle. Ne jamais modifier la fiche de quelque façon que ce soit. Ne pas utiliser d'adaptateurs avec des outils à branchement de terre. Des fiches non modifiées et des socles adaptés**

réduiront le risque de choc électrique.

- b) **Eviter tout contact du corps avec des surfaces reliées à la terre telles que les tuyaux, les radiateurs, les cuisinières et les réfrigérateurs.** Il existe un risque accru de choc électrique si votre corps est relié à la terre.
- c) **Ne pas exposer les outils à la pluie ou à des conditions humides.** La pénétration d'eau à l'intérieur d'un outil augmentera le risque de choc électrique.
- d) **Ne pas maltraiter le cordon. Ne jamais utiliser le cordon pour porter, tirer ou débrancher l'outil. Maintenir le cordon à l'écart de la chaleur, du lubrifiant, des arêtes ou des parties en mouvement.** Des cordons endommagés ou emmêlés augmentent le risque de choc électrique.
- e) **Lorsqu'on utilise un outil à l'extérieur, utiliser un prolongateur adapté à l'utilisation extérieure.** L'utilisation d'un cordon adapté à l'utilisation extérieure réduit le risque de choc électrique.
- f) **Si l'usage d'un outil dans un emplacement humide est inévitable, utiliser une alimentation protégée par un dispositif à courant différentiel résiduel (RCD).** L'usage d'un RCD réduit le risque de choc électrique.

3) Sécurité des personnes

- a) **Rester vigilant, regarder ce que vous êtes en train de faire et faire preuve de bon sens dans votre utilisation de l'outil. Ne pas utiliser un outil lorsque vous êtes fatigué ou sous l'emprise de drogues, d'alcool ou de médicaments.** Un moment d'inattention en cours d'utilisation d'un outil peut entraîner des blessures graves des personnes.
- b) **Utiliser un équipement de sécurité. Toujours porter une protection pour les yeux. Les équipements de sécurité tels que les masques contre les poussières, les chaussures de sécurité antidérapantes,**

les casques ou les protections acoustiques utilisés pour les conditions appropriées réduiront les blessures de personnes.

- c) **Éviter tout démarrage intempestif. S'assurer que l'interrupteur est en position arrêt avant de brancher l'outil au secteur et/ou au bloc de batteries, de le ramasser ou de le porter. Porter les outils en ayant le doigt sur l'interrupteur ou brancher des outils dont l'interrupteur est en position marche est source d'accidents.**
- d) **Retirer toute clé de réglage avant de mettre l'outil en marche. Une clé laissée fixée sur une partie tournante de l'outil peut donner lieu à des blessures de personnes.**
- e) **Ne pas se précipiter. Garder une position et un équilibre adaptés à tout moment. Cela permet un meilleur contrôle de l'outil dans des situations inattendues.**
- f) **S'habiller de manière adaptée. Ne pas porter de vêtements amples ou de bijoux. Garder les cheveux, les vêtements et les gants à distance des parties en mouvement. Des vêtements amples, des bijoux ou les cheveux longs peuvent être pris dans des parties en mouvement.**
- g) **Si des dispositifs sont fournis pour le raccordement d'équipements pour l'extraction et la récupération des poussières, s'assurer qu'ils sont connectés et correctement utilisés. Utiliser des collecteurs de poussière peut réduire les risques dus aux poussières.**

4) Utilisation et entretien de l'outil

- a) **Ne pas forcer l'outil. Utiliser l'outil adapté à votre application. L'outil adapté réalisera mieux le travail et de manière plus sûre au régime pour lequel il a été construit.**
- b) **Ne pas utiliser l'outil si l'interrupteur ne permet pas de passer de l'état de marche à arrêt et vice versa. Tout outil qui ne peut pas être commandé par l'interrupteur est dangereux et il faut le réparer.**
- c) **Débrancher la fiche de la source d'alimentation en courant et/ou le bloc de batteries de l'outil avant tout réglage, changement d'accessoires ou avant de ranger l'outil. De telles mesures de sécurité préventives réduisent le risque de démarrage accidentel de l'outil.**
- d) **Conserver les outils à l'arrêt hors de la portée des enfants et ne pas permettre à des personnes ne connaissant pas l'outil ou les présentes instructions de le faire fonctionner. Les outils sont dangereux entre les mains d'utilisateurs novices.**

- e) **Observer la maintenance de l'outil. Vérifier qu'il n'y a pas de mauvais alignement ou de blocage des parties mobiles, des pièces cassées ou toute autre condition pouvant affecter le fonctionnement de l'outil. En cas de dommages, faire réparer l'outil avant de l'utiliser. De nombreux accidents sont dus à des outils mal entretenus.**
- f) **Garder affûtés et propres les outils permettant de couper. Des outils destinés à couper correctement entretenus avec des pièces coupantes tranchantes sont moins susceptibles de bloquer et sont plus faciles à contrôler.**
- g) **Utiliser l'outil, les accessoires et les lames etc., conformément à ces instructions, en tenant compte des conditions de travail et du travail à réaliser. L'utilisation de l'outil pour des opérations différentes de celles prévues pourrait donner lieu à des situations dangereuses.**

5) Maintenance et entretien

- a) **Faire entretenir l'outil par un réparateur qualifié utilisant uniquement des pièces de rechange identiques. Cela assurera que la sécurité de l'outil est maintenue.**

Avertissements de sécurité de la perceuse à percussion



Portez une protection acoustique. L'influence du bruit peut provoquer la surdité.

- **Utiliser toujours la poignée supplémentaire livrée avec la machine. La perte du contrôle peut provoquer un accident.**



Pendant le travail utiliser des moyens de protection des yeux pour vous protéger des particules volantes. Porter des lunettes de protection.



Prévoir des précautions contre le risque d'aspiration de poussière. Les matériaux percés peuvent contenir des composants toxiques. Porter un masque anti-poussière. Si possible, brancher sur la machine un système d'évacuation de poussière.

- **Tenir l'outil uniquement par les surfaces de préhension isolantes, pendant les opérations au cours desquelles l'accessoire**

couplant peut être en contact avec des conducteurs cachés ou avec son propre câble. Le contact de l'accessoire couplant avec un fil „sous tension” peut également mettre „sous tension” les parties métalliques exposées de l'outil électrique et provoquer un choc électrique sur l'opérateur.

- Ne jamais percer des matériaux contenant de l'asbeste. L'asbeste est considéré agent cancérogène.



AVERTISSEMENT: Avant de brancher l'alimentation de la machine vérifier la conformité de la tension du réseau avec les données indiquées sur le tableau signalétique de la machine.

- Le branchement sur une source dont la tension d'alimentation est plus haute que la tension recommandée pour la machine peut provoquer un électrochoc subi par l'opérateur ainsi que la détérioration de la machine.
- En cas de doute ne pas brancher la fiche de la machine dans la prise.
- Le branchement sur une source dont la tension d'alimentation est plus basse que la tension recommandée pour la machine peut provoquer l'endommagement du moteur.
- Afin d'éviter une surchauffe éventuelle dérouler complètement le câble de rallonge à tambour.
- Si l'utilisation d'une rallonge est nécessaire, vérifier si la section des fils est suffisante pour le courant absorbé par la machine ainsi que le bon état de la rallonge.



AVERTISSEMENT: Avant tout travail de réglage, révision ou maintenance arrêter la machine et retirer la fiche de la prise.

- Pendant le travail tenir la machine fermement par deux mains en maintenant une position stable du corps. La machine sera guidée plus sûrement en la tenant par deux mains.
- Avant de commencer le travail vérifier avec un détecteur approprié la présence des canalisations électriques et conduites d'eau et gaz sous crépi ou consulter les services compétents. Le contact du foret avec un fil sous tension peut provoquer incendie et électrochoc. La rupture d'une conduite de gaz peut entraîner le risque d'explosion. La rupture d'une conduite d'eau peut provoquer l'endommagement du matériel et risque d'électrochoc.

- Le câble d'alimentation doit se trouver toujours hors de la zone de travail de la machine.
- Ne pas utiliser la machine si le câble d'alimentation est endommagé. Si le câble sera endommagé pendant le travail, ne pas toucher le câble et retirer la fiche de la prise. Les câbles défectueux entraînent des risques d'électrochoc.
- Maintenir toujours une position stable du corps. Si on travaille sur une plateforme élevée, vérifier qu'il n'y a personne en dessous.
- Fixer le détail percé en étai ou par un autre dispositif approprié.
- Faire attention lors de démarrage de la machine ou le blocage du foret afin de maîtriser le moment d'inertie.
- Ne pas toucher le foret ou le détail usinée aussitôt après le travail. Vous risquez des brûlures suite de leur température élevée.
- La place de travail doit être maintenue en état propre. Éviter surtout de mélanger les poussières des matériaux différents – c'est dangereux. La poussière des métaux légers peut provoquer une incendie ou explosion.
- Ne jamais laisser trainer des chiffons, étoupe ou fils près de la zone de travail.
- Arrêter la machine avant de la laisser à coté.
- La machine ne doit être utilisée que pour les opérations prescrites. Toute utilisation différant des opérations décrites en ce manuel sera considérée utilisation abusive. Le fabricant décline toute responsabilité pour des dommages et blessures provoqués par une utilisation abusive.
- Afin de garantir l'exploitation correcte de la machine, il faut observer les consignes de sécurité, les instructions générales et les indications données dans ce manuel. Tous les opérateurs doivent connaître les instructions d'exploitation et les risques potentiels accompagnant le travail avec la machine. Des enfants et personnes faibles ne doivent pas être laissés travailler avec la machine. Les enfants en proximité de la zone de travail doivent être sous une surveillance permanente. Prendre toutes les mesures appropriées préventives de sécurité et observer les règles professionnelles de santé et sécurité.
- Le fabricant décline toute responsabilité pour toute modification de la machine faite par le client ainsi que pour des dommages provoqués par des modifications pareilles.
- La machine ne doit pas être utilisée sous le ciel ouvert pendant la pluie, en milieu humide (après la pluie) ou en proximité des liquides

et gazes inflammables. La zone de travail doit être bien illuminée.

Présentation de la machine

Avant de commencer le travail avec la machine il faut connaître tous les spécificités d'exploitation et les consignes de sécurité.

Utiliser la machine et ses accessoires conformément à leur destination. Toute autre utilisation est interdite.

1. Vis de sécurité (BUR 150E, BUR 150CET)
2. Mandrin
3. Arbre porte-mandrin
4. Collier de la perceuse
5. Sélecteur des modes de fonctionnement
6. Ouïes de ventilation
7. Butée de profondeur
8. Poignée auxiliaire
9. Levier-inverseur de sens de rotation (BUR 150E, BUR 150CET)
10. Réglage électronique de la vitesse de rotation (BUR 150E, BUR 150CET)
11. Interrupteur
12. Bouton de blocage de l'interrupteur
13. Réglage du couple de torsion (serrage)
14. Diode lumière verte
15. Diode lumière rouge

Indications de travail

La machine doit être alimentée du réseau monophasé de courant alternatif. Elle peut être branchée sur des prises sans borne de terre car l'isolement est double suivant les normes EN 60745-1 et IEC 60745. Pour ce qui est des interférences radio, il est conforme aux la directive sur la compatibilité électromagnétique.

Cet instrument électrique est destiné au perçage d'ouvertures dans l'acier, le bois, le plastique, etc. Le régime prévu à percussion et rotation permet le perçage d'ouvertures dans le béton, la pierre, la maçonnerie, ainsi que dans d'autres matériaux fragiles.

La commande électronique CET incorporée (BUR 150CET), avec régulateur du couple de rotation, permet l'usage de la machine pour le vissage de vis.

AVANT DE COMMENCER LE TRAVAIL

- Vérifier si la tension du réseau d'alimentation est conforme aux données indiquées sur le tableau signalétique de la machine.
- Vérifier la position de l'interrupteur. La machine ne doit pas être branchée ou débranchée qu'avec l'interrupteur en position déclenchée. Si on met la fiche dans la prise avec l'interrupteur en position Marche, la machine va démarrer aussitôt avec tous les risques d'accident accompagnants.
- Vérifier l'état du câble d'alimentation et la fiche. Le câble d'alimentation endommagé devra être remplacé par le fabriquant ou un spécialiste autorisé afin d'éviter les risques d'un remplacement non approprié.



AVERTISSEMENT: Avant tout travail de réglage, révision ou maintenance arrêter la machine et retirer la fiche de la prise.

- Quand la zone de travail est éloignée de la source d'alimentation, la longueur de la rallonge utilisée doit être la plus courte possible avec la section des fils appropriée.
- Vérifier si la poignée supplémentaire est correctement posée et bien serrée.



AVERTISSEMENT: Avant de commencer le travail vérifier obligatoirement la direction de rotation du mandrin. Ne pas actionner le levier de reversement que si l'arbre est complètement arrêté. Toute tentative de reverser la rotation de l'arbre avant son arrêt peut provoquer la détérioration de la machine.

MISE EN MARCHÉ - ARRÊT

Fonctionnement de courte durée

- Démarrage: Appuyer sur l'interrupteur 11. La diode 14 s'allume (BUR 150CET).
- Arrêt: Relâcher l'interrupteur 11.

Fonctionnement continu

- Démarrage: Appuyer sur l'interrupteur 11 et le bloquer en enfonçant le bouton 12.
- Arrêt: Appuyer une fois sur l'interrupteur 11 et le relâcher immédiatement.

RÉGLAGE ÉLECTRONIQUE DE LA VITESSE (BUR 150E)

Une pression légère sur l'interrupteur 11 permet d'obtenir une faible vitesse de rotation. Une pression plus forte entraîne une augmentation de la vitesse. La vitesse maximale est obtenue en faisant aller le commutateur en position extrême.

SÉLECTION DE LA VITESSE (BUR 150E, BUR 150CET)

La vitesse de rotation voulue est sélectionnée en faisant tourner la molette 10 dans le sens des aiguilles d'une montre ou dans le sens inverse.

INVERSION DU SENS DE ROTATION (BUR 150E, BUR 150CET)

La position extrême droite du levier 9 indique une rotation dans le sens des aiguilles d'une montre; la position extrême gauche - dans le sens inverse.

Lorsque l'interrupteur 11 est actionné, le levier 9 est bloqué. Ne changer le sens de rotation de la perceuse que lorsque la machine est à l'arrêt.

RÉGLAGE DU COUPLE DE TORSION (BUR 150CET)

Le couple de torsion est sélectionné par la molette 13:

- I - couple minimal d'arrêt.
- III - couple maximal d'arrêt.

Au cours d'un régime de perçage normal utiliser le couple de torsion maximal. Ne pas travailler longtemps en faible vitesse de rotation et couple de torsion élevé.

INDICATION LUMINEUSE AUX DIODES (BUR 150CET)

Diode 14 lumière verte - indique le sens de rotation de l'arbre porte-mandrin de l'appareil:

- lumière continue: La machine est branchée au réseau électrique, sens choisi de rotation de l'arbre - à droite.

- lumière clignotante: La machine est branchée au réseau électrique, sens choisi de rotation de l'arbre - à gauche.

Diode 15 lumière rouge - indique le fonctionnement du contrôle du couple:

- lumière continue: La machine est branchée au réseau, le dispositif de contrôle du couple fonctionne.

- lumière clignotante: La machine est branchée au réseau, une coupe de tension a eu lieu. Pour remise en marche normale de la machine, débrancher l'appareil et le faire redémarrer par l'interrupteur de mise en marche.

SÉLECTION DES MODES DE FONCTIONNEMENT

- perçage du métal, du bois, etc.

Sélecteur 5 en position extrême droite. On voit apparaître le symbole "foret".

- perçage du béton, de la pierre, etc.

Sélecteur 5 en position extrême gauche. On voit apparaître le symbole "marteau".

Le changement des modes de fonctionnement est possible sans arrêter la perceuse.

MISE EN PLACE ET SERRAGE DU FORET

Perceuses à mandrin à clé:

En faisant tourner la couronne dentée du mandrin 2 dans le sens des aiguilles d'une montre ou dans le sens inverse, ses mâchoires sont écartées de manière à pouvoir introduire la queue du foret. En faisant tourner la couronne dentée du mandrin 2 dans le sens des aiguilles d'une montre, les mâchoires enserrant la queue du foret. A l'aide de la clé spéciale fournie avec la machine, on achève le blocage du foret dans le mandrin par serrage régulier dans chacun des trois trous du mandrin.

Perceuses à mandrin à serrage rapide:

En maintenant la couronne arrière du mandrin et en faisant tourner sa couronne avant, le mandrin est ouvert suffisamment de manière à pouvoir introduire le foret. Le blocage du foret est achevé par serrage manuel de la couronne avant. Un "clic" audible indique que le mandrin est correctement resserré.

DÉMONTAGE DU MANDRIN

Perceuses à mandrin à clé

Ouvrir à fond les mâchoires du mandrin 2. Dévisser la vis de sécurité à filet gauche avec un tournevis. Immobiliser l'arbre porte-mandrin à l'aide d'une clé plate à l'endroit 3. Appliquer la clé spéciale de serrage dans un des trois orifices du mandrin et, avec un mouvement de rotation dans le sens inverse des aiguilles d'une montre, se servant de la clé comme d'un levier, dévisser le mandrin 2 de l'arbre.

Perceuses à mandrin à serrage rapide

Retenir la couronne arrière du mandrin et faire tourner sa couronne avant jusqu'à l'ouverture

à fond des mâchoires du mandrin. Dévisser la vis de sécurité à filet gauche avec un tourne-vis. Introduire une clé à 6-pans ou un tourne-vis dans le mandrin et bien serrer. Immobiliser l'arbre porte-mandrin à l'endroit 3 avec une clé plate et donner au mandrin un mouvement de rotation dans le sens inverse des aiguilles d'une montre.

VISSAGE ET DÉVISSAGE DE BOULONS, VIS ET ÉCROUS (BUR 150E, BUR 150CET)

Démonter le mandrin 2 selon la méthode susmentionnée et monter le dispositif de vissage/dévisage de boulons, vis et écrous directement dans l'axe du foret. Amener le sélecteur 5 des modes de fonctionnement en position extrême droite, de façon à bien voir le symbole "foret". À l'aide du levier 9 pour inverser le sens de rotation, sélectionner l'opération voulue - dévissage ou vissage. Ne procéder à ces opérations qu'à faible vitesse de rotation.



AVERTISSEMENT: Risque de dérapage lors de la pose de boulons et vis longs.

RECOMMANDATIONS DE VISSAGE

- Utiliser des embouts de vissage de forme et dimensions appropriées;
- En cas de vis appropriées pour bois tendre, visser sans perçage préliminaire;
- Percer un trou avant de visser des vis à grands diamètres;
- Stabiliser le trou en cas de vis à têtes cauchées;
- Percer au préalable environ la moitié de la longueur des vis dans le bois impénétrable à fileter.

POIGNÉE AUXILIAIRE

Fixer la poignée auxiliaire 8 sur le collier 4 de la perceuse. La butée 7 permet de fixer la profondeur de perçage.

RECOMMANDATIONS DE TRAVAIL

Au cours de perçage du béton appuyer modérément (pression approximative 80-100 N). Le rendement de perçage n'augmente pas avec la pression; par contre, la pression élevée raccourcit la vie de la machine. Pour des perceuses à réglage électronique ne pas utiliser des vitesses maximales de rotation, mais sélectionner la vitesse en fonction des matières à percer.

Utiliser des forets à plaques d'usure et queue cylindrique. Faire sortir régulièrement le foret de l'orifice pour dépoussiérer.

Vérifier le degré d'usure du foret et le remplacer par un neuf en cas de rendement diminué. Ne pas commencer le perçage avec des forets à grands diamètres, mais avec des plus petits et augmenter le diamètre avec l'élargissement du trou.

Perçage du béton: diamètre optimal 10 mm, max - 15 mm.

ACCESSOIRES À UTILISER AVEC LA MACHINE

- Forets pour acier avec diamètre de Ø3 mm à Ø13 mm
- Forets pour bois avec diamètre de Ø3 mm à Ø25 mm
- Forets pour béton avec diamètre de Ø3 mm à Ø15 mm
- Embouts à six pans 6.35 mm (1/4") pour visser les vis

Maintenance



AVERTISSEMENT: Arrêtez toujours l'appareil et débranchez-le du réseau avant d'effectuer sur celui-ci tout réglage et opération de service ou d'entretien.

REPLACEMENT DES BALAIS

L'appareil est doté de balais qui se déconnectent automatiquement. Lorsque les balais sont usés, l'appareil se déconnecte de lui-même. Dans un tel cas, il faut remplacer à la fois les deux balais par des balais d'origine de SPARKY pour l'entretien de l'appareil dans le cadre de la garantie ou en dehors de celle-ci.

EXAMEN GENERAL

Vérifiez régulièrement tous les éléments de fixation pour vous assurer qu'ils sont solidement serrés. Si quelque vis s'est desserrée, resserrez-la immédiatement afin d'éviter tout risque.

Si le câble d'alimentation est endommagé, il doit être remplacé par le producteur ou un spécialiste agréé par celui-ci afin d'éviter les éventuels risques liés à son remplacement.

NETTOYAGE

Pour assurer un fonctionnement sécurisé, entretenez toujours l'appareil et ses orifices de ventilation propres.

Vérifiez régulièrement si dans les orifices de ventilation du moteur électrique ou autour des commutateurs il n'y a pas de poussière ni de corps étrangers. Utilisez une brosse douce et/ou un jet d'air comprimé pour éliminer la poussière accumulée à ces endroits. Afin de protéger vos yeux, lors des opérations de nettoyage, portez des lunettes de protection.

Si le boîtier de l'appareil a besoin d'être nettoyé, essuyez-le à l'aide d'un chiffon doux humide. Vous pouvez utiliser un produit de nettoyage peu agressif.



AVERTISSEMENT: Il est interdit d'utiliser de l'alcool, de l'essence ou d'autres solvants. N'utilisez jamais des produits agressifs pour le nettoyage des pièces en matière plastique.



AVERTISSEMENT: Ne pas permettre à de l'eau à entrer en contact avec l'appareil.

AVIS IMPORTANT! Afin d'assurer la sécurité du travail avec l'appareil et le fonctionnement fiable de celui-ci, toutes les opérations de réparation, d'entretien et de réglage (y compris la vérification de l'état des balais et leur remplacement) doivent être effectuées dans les centres d'entretien agréés de SPARKY avec l'utilisation exclusive de pièces d'origine.

Garantie

La période de garantie des outils électroportatifs SPARKY est définie dans le contrat de garantie.

La garantie ne couvre pas les pannes apparues suite à l'usure naturelle, une surcharge ou une mauvaise exploitation.

Les pannes survenues pour cause de matériaux défectifs et/ou d'erreurs de fabrication seront réparées gratuitement ou le produit sera échangé.

Les réclamations pour un instrument SPARKY défectueux seront honorées si la machine est retournée au livreur ou est présentée à un service après-vente agréé assemblé et dans son état original (assemblée).

Notes

Lire attentivement les instructions avant d'utiliser ce produit.

Le producteur retient son droit d'améliorer ses produits et de changer les spécifications sans avis spécial.

Les spécifications peuvent varier selon le pays.

Indice

Introduzione	31
Dati tecnici	33
Istruzioni generali di sicurezza nel lavoro con elettroutensili	34
Istruzioni supplementari di sicurezza nel lavoro con trapani	35
Prendere visione dell'elettroutensile	A/36
Istruzioni per l'uso	37
Manutenzione	39
Garanzia	40

PRIMA DELL'USO

Prima dell'uso verificare la presenza di tutti i componenti e degli accessori elencati. In caso di mancanze o apparenti difetti rivolgersi al rivenditore specializzato. L'inosservanza di tale raccomandazione potrebbe provocare gravi incidenti.

ASSEMBLAGGIO

Il trapano, imballato in una valigia, viene fornito completamente montato.

Il trapano, imballato in una valigia, viene fornito montato, ad eccezione dell'impugnatura laterale.

Introduzione

Questo utensile SPARKY supererà le Vostre aspettative. La produzione secondo i rigorosi standard di qualità SPARKY assicura un'ottima prestazione. Se utilizzato correttamente, l'utensile risulterà maneggevole e sicuro, e garantirà un uso duraturo.

AVVERTENZA:



Leggere attentamente tutte le istruzioni prima dell'utilizzo dell'utensile. Leggere con cura soprattutto le parti introdotte da "Avvertenza". Questo utensile SPARKY presenta numerose caratteristiche che faciliteranno il Suo lavoro. Sicurezza, qualità ed affidabilità sono punti chiave nello sviluppo di questo utensile, e lo rendono semplice nell'uso e nella manutenzione.



Non smaltire elettroutensili insieme a rifiuti domestici!

Residui di prodotti elettrici devono essere smaltiti separatamente dai rifiuti domestici e sottoposti ad un riciclaggio ecologico. Si prega di informarsi presso le autorità locali o i rivenditori specializzati circa il più vicino luogo di raccolta.

RISPETTO DELL'AMBIENTE



Macchina, accessori ed imballaggio devono essere destinati ad una riutilizzazione ecologica per il recupero di materie prime.

I componenti in plastica sono contrassegnati per relativo riciclaggio.

SIMBOLI

L'etichetta che si trova sulla macchina contiene alcuni simboli. Questi forniscono importanti informazioni sull'utensile o istruzioni sull'uso dello stesso.



Doppio isolamento per una protezione supplementare.



Conforme alle direttive europee applicabili.



Corrisponde alle esigenze dei regolamenti dell'unione doganale.



Conforme alle esigenze dei documenti normativi ucraini.




Prendere conoscenza del manuale d'uso.

YYYY-Www Periodo di produzione, ove i simboli variabili sono:
YYYY - l'anno di produzione,
ww - la settimana consecutiva del calendario.

BU, BUR Trapano battente.

Dati tecnici

Modello	BU 150	BUR 150E	BUR 150CET
Potenza assorbita	650 W	600 W	600 W
Numero di giri a vuoto	2800 min ⁻¹	0-2800 min ⁻¹	500-2500 min ⁻¹
Regolazione elettronica dei giri	no	sì	sì
Regolazione elettronica della coppia	no	no	sì
Inversione del senso di rotazione	no	sì	sì
Portata del mandrino	1,5-13 mm	1,5-13 mm	1,5-13 mm
Diametro massimo della punta:			
per acciaio	13 mm	13 mm	13 mm
per legno	25 mm	25 mm	25 mm
per calcestruzzo	15 mm	15 mm	15 mm
Peso (la procedura EPTA 01/2014)	2,0 kg	2,0 kg	2,0 kg
Classe di protezione (EN 60745-1) 	II	II	II

INFORMAZIONI SUL RUMORE E SULLE VIBRAZIONI

I valori sono stati misurati secondo la norma EN 60745.

Emissione di rumore

A-livello di pressione sonora ponderata L_{pA}	96,0 dB (A)	96,0 dB (A)	96,0 dB (A)
Indeterminazione K_{pA}	3,0 dB (A)	3,0 dB (A)	3,0 dB (A)
A-livello di potenza sonora ponderata L_{wA}	107,0 dB (A)	107,0 dB (A)	107,0 dB (A)
Indeterminazione K_{wA}	3,0 dB (A)	3,0 dB (A)	3,0 dB (A)

Usare mezzi per protezione dal rumore!

Emissione di vibrazioni *

Valore totale delle vibrazioni (la somma vettoriale lungo i tre assi), determinato conformemente alla norma EN 60745:

Foratura a percussione in calcestruzzo			
Valore delle vibrazioni emesse $a_{h, ID}$	23,0 m/s ²	23,0 m/s ²	23,0 m/s ²
Indeterminazione K_{ID}	1,5 m/s ²	1,5 m/s ²	1,5 m/s ²
Foratura in acciaio			
Valore delle vibrazioni emesse $a_{h, D}$	6,0 m/s ²	6,0 m/s ²	6,0 m/s ²
Indeterminazione K_D	1,5 m/s ²	1,5 m/s ²	1,5 m/s ²
Avvitamento/Svitamento			
Valore delle vibrazioni emesse a_p			<2,5 m/s ²
Indeterminazione K	1,5 m/s ²	1,5 m/s ²	1,5 m/s ²

* Le vibrazioni sono state determinate in conformità al punto 6.2.7 della norma EN 60745.

Il livello di vibrazione sopra indicato è stato definito seguendo il metodo di misurazione riportato nella normativa EN 60745 e può essere utilizzato per confrontare tra di loro diversi elettrotensili. Inoltre è adatto per effettuare una stima provvisoria del livello di esposizione.

Il livello di vibrazione si riferisce alle modalità d'uso principali dell'utensile. Tuttavia, se utilizzato per scopi diversi da quelli previsti, con punte poco stabili o senza adeguata manutenzione, il livello di vibrazione può variare. Ciò può aumentare sensibilmente il livello di esposizione durante il lavoro.

Per una precisa definizione del livello di esposizione dovrebbe essere preso in considerazione anche l'arco di tempo in cui l'utensile è spento o funzionante ma non in uso. Ciò può ridurre sostanzialmente il livello di esposizione durante il lavoro.

Utilizzare l'utensile e gli accessori con cura, e maneggiarlo mantenendo le mani calde così da ridurre gli effetti dannosi dell'elevato livello di vibrazioni.

Polvere derivante da materiali come vernici contenenti particelle di piombo, alcuni tipi di legno, minerali e metallo potrebbe essere nociva. Il contatto o l'inalazione di tali polveri potrebbe causare reazioni allergiche e/o problemi al sistema respiratorio dell'utente o di terzi.

Talune tipologie di polveri, come ad esempio quella derivante da legno di quercia o faggio, soprattutto se trattati con additivi e conservanti, sono classificate come cancerogene. Si consiglia di fare trattare materiali contenenti asbesto solo a persone esperte.

- Se possibile collegare sempre la macchina ad un dispositivo di aspirazione.
- Per ottenere un alto grado di asportazione della polvere, usare nel lavoro con questo elettroscopio un aspirapolvere destinato a raccogliere la polvere di legno e/o polvere minerale
- Tenere l'area di lavoro ben pulita e ventilata.
- Si consiglia l'uso di una mascherina o filtro di classe P2.

Osservare le direttive nazionali relative al materiale da lavorare.

Istruzioni generali di sicurezza nel lavoro con elettroscopio



AVVERTENZA! Leggere tutte le istruzioni d'uso e le avvertenze di sicurezza. L'inosservanza delle istruzioni seguenti può causare folgorazioni, incendi e/o gravi danni a persone.

Conservare con cura queste istruzioni.

Il termine "utensile" in tutte le avvertenze successive si riferisce sia agli utensili collegati alla rete elettrica (con cavo di alimentazione) che agli utensili a batteria (senza cavo).

1) Area di lavoro

- a) **Mantenere l'area di lavoro pulita e ben illuminata.** Le zone buie ed ingombre di oggetti favoriscono incidenti.
- b) **Non utilizzare l'utensile in presenza di liquidi infiammabili, gas o polvere.** Le scintille generate potrebbero infiammare polvere e/o vapore.
- c) **Tenere a distanza bambini e terzi durante il funzionamento.** Per una distrazione potreste perdere il controllo dell'utensile.

2) Sicurezza elettrica

- a) **La spina dell'utensile deve essere adatta alla presa utilizzata. Non modificare la spina in alcun modo. Non utilizzare adattatori con gli utensili collegati a terra.** L'impiego di una spina integra ed una presa adatta riduce i rischi di folgorazione.
- b) **Evitare di toccare con il corpo le superfici collegate a terra quali tubi, radiatori, forni e frigoriferi.** Il rischio di folgorazione aumenta se il corpo è collegato a terra.
- c) **Non esporre l'utensile alla pioggia e all'umidità.** La penetrazione d'acqua nell'utensile aumenta il rischio di folgorazione.

d) **Non utilizzare il cavo per scopi diversi da quello previsto. Non utilizzare il cavo per trasportare o tirare l'utensile, oppure per staccare la spina dalla presa. Tenere il cavo lontano da fonti di calore, olio, parti appuntite o in movimento. Cavi danneggiati o attorcigliati aumentano il rischio di folgorazione.**

e) **Se l'utensile viene utilizzato all'aperto, usare una prolunga adatta all'uso esterno. L'impiego di una prolunga da esterno riduce il rischio di folgorazione.**

f) **Se il lavoro in un ambiente umido è strettamente necessario, utilizzare una presa protetta da dispositivo a corrente residua. Ciò riduce i rischi di scosse.**

3) Sicurezza personale

- a) **L'uso di elettroscopio richiede attenzione e buon senso. Non utilizzare gli utensili se si è stanchi o sotto l'effetto di droghe, alcol o medicinali. Una breve distrazione può provocare gravi danni alle persone.**
- b) **Munirsi di indumenti e dispositivi di protezione. Indossare sempre occhiali da lavoro. L'uso di dispositivi di protezione tra cui mascherina antipolvere, scarpe antiscivolo, casco e protezioni per l'udito riduce il rischio di danni a persone.**
- c) **Evitare l'accensione accidentale. Accertarsi che l'interruttore sia in posizione "OFF" prima di inserire la spina. Se si trasportano gli utensili con il dito sull'interruttore o si inserisce la spina nella presa con l'interruttore in posizione "ON" aumenta il rischio di incidenti.**
- d) **Togliere tutte le chiavi di regolazione prima di accendere l'utensile. Una chiave lasciata inserita in una parte rotante di un utensile può provocare danni a persone.**
- e) **Non utilizzare l'utensile in condizioni estreme. Mantenere sempre l'equilibrio ed i piedi ben appoggiati a terra. Questo**

consente un maggior controllo dell'utensile in caso di imprevisti.

- f) **Indossare un abbigliamento adeguato. Non indossare abiti svolazzanti o gioielli. Tenere capelli, vestiti, e guanti lontani dalle parti in movimento. Abiti svolazzanti, gioielli o capelli potrebbero impigliarsi nelle parti in movimento.**
- g) **In presenza di apparecchiature per il collegamento a dispositivi di aspirazione e raccolta delle polveri, accertarsi che essi siano collegati ed utilizzarli correttamente. L'uso di queste apparecchiature può ridurre i rischi causati dalla polvere.**
- 4) Uso e manutenzione dell'utensile**
- a) **Utilizzare l'utensile più adatto per il lavoro da svolgere. L'impiego dell'utensile giusto migliora la qualità del lavoro e la sicurezza.**
- b) **Non utilizzare l'utensile se non è possibile accenderlo e spegnerlo con l'apposito interruttore. Gli utensili che non possono essere controllati con l'interruttore sono pericolosi e devono essere riparati.**
- c) **Staccare la spina dall'alimentazione di corrente prima di eseguire regolazioni, cambiare accessori o riporre l'utensile. Osservando queste precauzioni si riduce il rischio di accensione accidentale dell'utensile.**
- d) **Riporre gli utensili non utilizzati fuori dalla portata dei bambini e non consentirne l'utilizzo a persone che non conoscono l'utensile o queste istruzioni. Nelle mani di persone inesperte gli utensili possono diventare pericolosi.**
- e) **Sottoporre l'utensile a manutenzione. Verificare il corretto allineamento di tutte le parti mobili, controllare che non siano grippate e che non vi siano rotture o altri guasti che potrebbero influire sul funzionamento dell'utensile. Far riparare gli utensili danneggiati prima di riutilizzarli. Molti incidenti sono causati da utensili in pessime condizioni.**
- f) **Tenere le punte e gli strumenti da taglio puliti ed affilati. Se sottoposti ad una regolare manutenzione e pulizia consentono di lavorare in modo più preciso e sono maggiormente controllabili.**
- g) **Utilizzare l'utensile, gli accessori, gli attrezzi etc. secondo quanto indicato in queste istruzioni nonché tenendo in considerazione le condizioni di lavoro e il lavoro da eseguire. L'impiego di utensili per scopi diversi da quelli per cui sono stati**

progettati può dare origine a situazioni pericolose.

5) Manutenzione

- a) **Far riparare l'utensile da personale qualificato che utilizzi solo parti di ricambio originali. In caso contrario la sicurezza dell'utensile potrebbe risultare compromessa.**

Istruzioni supplementari di sicurezza nel lavoro con trapani



Usare mezzi per protezione dell'udito nel lavoro con trapani battenti. Il rumore intenso durante il lavoro può provocare lesioni all'udito.

- **Usare sempre l'impugnatura supplementare fornita con la macchina. La perdita di controllo può provocare infortunio sul lavoro.**



Usare durante il lavoro mezzi per protezione della vista, per proteggersi da corpuscoli volanti. Indossare occhiali protettivi.



Prendere precauzioni contro l'inalazione di polvere. Alcuni materiali possono contenere ingredienti tossici. Indossare maschera antipolvere. Usare un dispositivo di depolverizzazione, se il suo collegamento all'elettroscopio risulta possibile.

- **Tenere l'elettroscopio soltanto per le superfici isolate da prendere, nell'esecuzione di un'operazione in cui l'accessorio di taglio potrebbe toccare un impianto elettrico nascosto, o il proprio cordone. Il contatto dell'accessorio di taglio con un conduttore sotto tensione metterà sotto tensione le parti metalliche aperte dell'elettroscopio, e l'operatore subirà una scossa elettrica.**
- **Non lavorare materiali contenenti amianto. L'amianto è considerato come una sostanza cancerogena.**



AVVERTENZA: Prima di collegare l'elettroscopio alla rete di alimentazione, accertarsi che la tensione di alimentazione corrisponda a quella indicata sulla targhetta dati tecnici dell'elettroscopio.

- **Una fonte di alimentazione dalla tensione superiore a quella indicata per l'elettroscopio,**

può causare sia una grave lesione di scossa elettrica all'operatore, sia un guasto all'elettrotensile.

- Se si ha qualsiasi esitazione, non innestare la spina dell'elettrotensile nella presa.
- L'uso di una fonte di alimentazione con tensione inferiore a quella indicata sulla targhetta dati tecnici dell'elettrotensile, danneggerà il motore elettrico.
- Per avviare all'eventuale surriscaldamento, svolgere sempre completamente il cavo di prolunga con rocchetto.
- Quando si deve usare una prolunga, accertarsi che la sua sezione corrisponda alla corrente nominale dell'elettrotensile usato, nonché dello stato di efficienza della prolunga.



AVVERTENZA: Disinserire sempre l'elettrotensile e disinnestare la spina dalla presa prima di effettuare qualsiasi regolazione, sistemazione o manutenzione.

- Nel lavorare tenere sempre la macchina saldamente con entrambe le mani e mantenere una posizione stabile del corpo. L'elettrotensile viene guidato con maggiore sicurezza quando si afferra con entrambe le mani.
- Prima di cominciare il lavoro verificare con un metal detector appropriato, per la presenza di un nascosto impianto elettrico, una conduttura di gas o d'acqua, o cercare aiuto dai rispettivi uffici locali. Il contatto della punta con un impianto elettrico nascosto può provocare lesione da scossa elettrica. Il danneggiamento di una conduttura di gas può causare un'esplosione. La foratura di una conduttura d'acqua causerà danneggiamento a proprietà, o lesione da scossa elettrica.
- Tenere il cavo di alimentazione fuori dal raggio operativo della macchina.
- Non usare l'elettrotensile con il cavo danneggiato. Non toccare il cavo danneggiato ed estrarre la spina dalla presa se il cavo si guasta durante il lavoro. I cavi danneggiati aumentano il rischio di scossa elettrica.
- Mantenere sempre stabile la posizione del corpo. Nel lavorare con l'elettrotensile in quota accertarsi che non ci sia nessuno di sotto.
- Fissare il pezzo da lavorare in una morsa o in qualche altro modo conveniente.
- Sorvegliare il momento d'inerzia all'avviamento del trapano, o ad inceppamento della punta. Spegner subito l'elettrotensile se la punta si blocca. Stare all'erta per un'alta cop-

pia reattiva, la quale può provocare contraccolpo. La punta si bloccherà se l'elettrotensile viene sovraccaricato, o se si inceppa nel materiale lavorato.

- Non toccare la punta o il pezzo da lavorare immediatamente dopo il lavoro. Essi potrebbero arroventarsi e causare ustione della pelle.
- Mantenere pulito il posto di lavoro. La mescolatura di polveri di diversi materiali è particolarmente pericolosa. La polvere di metalli leggeri può bruciare o esplodere.
- Non lasciare mai stracci, stoppa, conduttori o fili vicino al posto di lavoro.
- Spegner sempre la macchina prima di adagiarla in disparte.
- Usare l'elettrotensile soltanto secondo la sua destinazione d'uso. Qualsiasi altro impiego differente da quello descritto in questo manuale di istruzioni, sarà ritenuto impiego erronoe. La responsabilità per qualsiasi guasto o ferimento, causati da uso erronoe, cadrà sull'utente, e non sul fabbricante.
- Per sfruttare correttamente questo elettrotensile, si devono rispettare le regole di sicurezza, le istruzioni generali, e le istruzioni di funzionamento qui riportate. Tutti gli utenti devono conoscere queste istruzioni di servizio, ed essere informati dei potenziali rischi nel lavoro con l'elettrotensile. Bambini e persone fisicamente deboli non devono usare l'elettrotensile. I bambini devono stare sotto continua sorveglianza se si trovano vicino ad un luogo dove si lavora con l'elettrotensile. È obbligatorio prendere anche precauzioni di sicurezza. Lo stesso concerne pure l'osservanza delle regole principali relative alla salute e alla sicurezza professionale.
- Il fabbricante non sarà tenuto responsabile per modifiche apportate dall'utente all'elettrotensile, o per guasti causati da tali modifiche.
- Non usare l'elettrotensile all'aperto quando piove, in un ambiente umido (dopo una pioggia), o in vicinanza di liquidi o gas facilmente infiammabili. Mantenere il posto di lavoro ben illuminato.

Prendere visione dell'elettrotensile

Prima di cominciare a lavorare con l'elettrotensile, prendere conoscenza di tutte le particolarità operative e condizioni di sicurezza. Impiegare l'elettrotensile e i suoi accessori uni-

camente secondo la destinazione d'uso. Ogni altro impiego è espressamente vietato.

1. Vite di sicurezza (BUR150E, BUR150CET)
2. Mandrino
3. Posto per fissaggio dell'alberino
4. Collare del trapano
5. Commutatore dei regimi di funzionamento
6. Aperture di ventilazione
7. Linea di limitazione
8. Impugnatura supplementare
9. Leva per inversione del senso di rotazione (BUR 150E, BUR 150CET)
10. Regolatore elettronico dei giri (BUR 150E, BUR 150CET)
11. Interruttore ON/OFF
12. Pulsante per bloccaggio dell'interruttore
13. Regolatore della coppia (BUR 150CET)
14. Diodo elettroluminescente verde
15. Diodo elettroluminescente rosso

Istruzioni per l'uso

Questo elettrotensile viene alimentato soltanto di corrente alternata monofase. Avendo l'isolamento doppio conformemente all'EN 60745-1 e all'IEC 60745, esso si può innestare in prese senza piattine di massa. I disturbi radio corrispondono alla Direttiva di compatibilità elettromagnetica.

Questo elettrotensile è destinato a praticare fori in acciaio, legno, materie plastiche, ecc. Il regime di rotazione e percussione previsto gli permette di praticare fori in calcestruzzo, pietra, muratura, e altri materiali fragili.

Il comando elettronico CET incorporato, con regolatore della coppia, permette di usare la macchina per stringere viti.

PRIMA DI COMINCIARE IL LAVORO

- Verificare che la tensione della rete elettrica corrisponda a quella riportata sulla targhetta dati tecnici dell'elettrotensile.
- Verificare in che posizione si trova l'interruttore ON/OFF. Innestare in e disinnestare l'elettrotensile dalla presa della rete soltanto ad interruttore disinserito. Se la spina viene innestata nella presa mentre l'interruttore è nella posizione inserita, l'elettrotensile si metterà subito in moto, circostanza che potrebbe provocare un infortunio.
- Accertarsi dello stato di efficienza del cordone d'alimentazione e della spina. Se il cordone è danneggiato, la sostituzione deve essere

eseguita dal fabbricante o da un suo specialista di centro assistenza, per evitare i pericoli della sostituzione.



AVVERTENZA: Disinserire sempre l'elettrotensile e disinnestare la spina dalla presa prima di effettuare qualsiasi impostazione, aggiustaggio o manutenzione.

- Se l'area del lavoro è lontana dalla fonte di alimentazione, usare una prolunga che sia la più corta possibile, con sezione adatta.
- Controllare che l'impugnatura supplementare sia montata correttamente e serrata in maniera affidabile.



AVVERTENZA: Prima di cominciare il lavoro, verificare sempre il senso di rotazione. Usare la leva per inversione del senso di rotazione solo dopo che l'alberino abbia completamente smesso di girare. L'inversione del senso di rotazione prima della completa cessazione di rotazione dell'alberino può danneggiare l'elettrotensile.

AVVIAMENTO - ARRESTO

Messa in moto per breve tempo

- Avviamento: premere l'interruttore 11. Il LED 14 emette luce (BUR150CET).
- Arresto: rilasciare l'interruttore 11.

Lavoro continuativo

- Avviamento: premere l'interruttore 11 e, tenendolo premuto, bloccarlo con il pulsante 12.
- Arresto: premere l'interruttore 11 una sola volta e rilasciarlo subito.

REGOLAZIONE ELETTRONICA CONTINUA DEI GIRI (BUR 150E)

Premendo lievemente l'interruttore ON/OFF 11 si aziona il trapano a giri bassi, che aumentano dolcemente fino a quelli massimi con l'incremento della pressione sull'interruttore, sino a raggiungere la posizione finale.

SELEZIONE DEI GIRI (BUR 150E, BUR 150CET)

Girando il regolatore elettronico 10 in senso orario o antiorario, si selezionano i giri necessari.

INVERSIONE DEL SENSO DI ROTAZIONE (BUR 150E, BUR 150CET)

La posizione estrema destra della leva 9 significa rotazione in senso orario, e l'estrema sinistra in senso antiorario.

Con l'interruttore 11 premuto, la leva 9 non può essere azionata. Invertire il senso di rotazione soltanto nello stato di quiete del trapano.

IMPOSTAZIONE DELLA COPPIA (BUR 150CET)

La coppia viene scelta con il regolatore della coppia 13:

- I – la più piccola coppia di spegnimento;
- III - la più grossa coppia di spegnimento.

A regime normale di foratura usare la coppia massima. Non lavorare per lungo tempo a giri bassi e coppia alta.

INDICAZIONE A DIODI ELETTROLUMINESCENTI (BUR 150CET)

Il LED verde 14 – ha il ruolo di indicatore del senso di rotazione dell'alberino dell'elettroutensile:

- emette luce continua: La macchina è inserita nella rete, è scelto il senso destro di rotazione del mandrino.

- emette luce intermittente: La macchina è inserita nella rete, è scelto il senso sinistro di rotazione.

Il LED rosso 15 - ha il ruolo di indicatore dell'attivazione del controllo della coppia:

- emette luce continua: La macchina è inserita nella rete, il dispositivo per il controllo della coppia è attivato.

- emette luce intermittente: La macchina è inserita nella rete, è stata interrotta la tensione di alimentazione.

Per riprendere il funzionamento normale è necessario che l'elettroutensile sia spento e poi riacceso dall'interruttore di rete.

COMMUTAZIONE DEI REGIMI DI FUNZIONAMENTO

- praticare fori in metallo, legno, ecc.

Il commutatore 5 è nella posizione estrema destra e si vede il simbolo "punta".

- Praticare fori in calcestruzzo, pietra, ecc.

Il commutatore 5 è nella posizione estrema sinistra e si vede il simbolo "martello".

La commutazione dei regimi di funzionamento si può fare anche con il trapano in moto.

METTERE E STRINGERE LA PUNTA

In trapani con il mandrino a chiave:

Girando la corona del mandrino 2 in senso orario o antiorario, le sue ganasce si muovono fino ad una posizione che permetta al codolo della punta di entrare tra esse. Girando la corona del mandrino 2 in senso orario, le ganasce serrano il codolo della punta. Con la chiave speciale fissare la punta definitivamente nel mandrino, girando uniformemente nei tre fori.

In trapani con il mandrino a serraggio rapido:

Trattenere la corona posteriore del mandrino e girare la corona anteriore finché il mandrino si sia aperto abbastanza per poter mettervi la punta. Serrare poi la corona anteriore con la mano, al quale atto si sente un suono distinto.

SMONTAGGIO DEL MANDRINO

In macchine con il mandrino a chiave

Le ganasce del mandrino 2 si aprono fino in fondo. Svitare con l'ausilio di un cacciavite la vite di sicurezza con filettatura sinistra. Tenere il posto per fissaggio dell'alberino 3 con una chiave meccanica. Mettere la chiave speciale per stringere il mandrino in uno dei tre fori e girando in senso antiorario, usando la chiave come una leva, svitare il mandrino 2 dall'alberino del trapano.

In macchine con il mandrino a serraggio rapido

Trattenere la corona posteriore del mandrino e girare la corona anteriore finché il mandrino si sia aperto completamente.

Svitare con l'ausilio di un cacciavite la vite di sicurezza con filettatura sinistra. Mettere nel mandrino una punta esaedrica o il dispositivo per avvitare viti, e stringere. Afferrare il posto per fissaggio dell'alberino 3 con una chiave meccanica e ruotare il mandrino in senso antiorario, a mezzo dell'estremità libera della punta.

SVITARE ED AVVITARE BULLONI, VITI E DADI. (BUR 150E, BUR150CET)

Smontare il mandrino 2 come descritto in precedenza, e il rispettivo dispositivo per avvitare o svitare bulloni, dadi o viti va montato direttamente nel mandrino. Mettere il commutatore 5 dei regimi di funzionamento nella posizione estrema destra, in modo che si possa vedere completamente il simbolo "punta". Scegliere con la leva 9 per inversione del senso di rotazione l'operazione di svitare o avvitare. Svolgere le operazioni soltanto a giri bassi.



AVVERTENZA: Nello stringere lunghi bulloni o viti si corre il pericolo di slittamento del trapano.

CONSIGLI SULL'AVVITAMENTO DI VITI

- Usare punte per avvitare, di forma e dimensione adatte;
- In legno soffice le viti adatte possono essere avvitate senza forare in anticipo;
- In legno duro praticare in anticipo fori per le viti di diametri più grossi;
- Acceccare il foro con le viti a testa piatta;
- Con le viti per legno aventi filettatura non passante, si fora in anticipo per circa la metà della lunghezza della vite.

IMPUGNATURA SUPPLEMENTARE

Serrare l'impugnatura supplementare 8 al collare 4 del trapano. Mediante la linea di limitazione 7 si può fissare la profondità dei fori praticati.

CONSIGLI NEL LAVORO CON IL TRAPANO

Esercitare una pressione moderata nel forare in calcestruzzo (approssimativamente 100-120N). La forte pressione non aumenta il rendimento del forare, e causa invece una riduzione della durata utile della macchina. Nelle macchine con regolatore elettronico forare con un numero di giri inferiore a quello massimo, scegliendo i giri a seconda del materiale.

Usare punte con lamelle in leghe dure e con codolo cilindrico. Estrarre di tanto in tanto la punta dal foro, per portare via la polvere.

Sorvegliare il grado di smussamento della punta e sostituirla quando si nota un considerevole ribasso del rendimento. Non forare subito con diametro grosso, forare all'inizio con una punta più piccola.

Il raggio ottimale nel forare in calcestruzzo è fino a 10 mm, il raggio possibile è fino a 15 mm.

ACCESSORI CHE POSSONO ESSERE USATI CON QUESTO ELETTROUTENSILE

- Punta per metallo con diametro da Ø3 mm a Ø13 mm
- Punta per legno con diametro da Ø3 mm a Ø25 mm

- Punta per calcestruzzo con diametro da Ø3 mm a Ø15 mm
- Punta con esaedro di fissaggio di 6.35 mm (1/4") per stringere viti.

Manutenzione



AVVERTENZA: Spegnerne sempre l'elettROUTENSILE e staccare la spina dalla presa prima di qualsiasi verifica o manutenzione.

SOSTITUZIONE DELLE SPAZZOLE

L'elettROUTENSILE è dotato di spazzole che si disinseriscono da sole. Quando le spazzole diventano logore, sostituire entrambe le spazzole contemporaneamente con spazzole originali in un centro assistenza tecnica SPARKY per manutenzione in o fuori garanzia.

VERIFICA GENERALE

Verificare regolarmente tutti gli elementi di fissaggio e accertarsi che siano ben stretti. In caso che qualche vite si sia allentata, stringerla subito, per evitare situazioni di rischio.

Se il cavo di alimentazione viene danneggiato, la sostituzione va effettuata dal fabbricante o da un suo specialista di centro assistenza, per evitare i pericoli della sostituzione.

PULIZIA

Per un esercizio sicuro mantenere sempre pulite la macchina e le aperture di ventilazione.

Controllare regolarmente che nella griglia di ventilazione vicino al motore elettrico o intorno ai commutatori non siano penetrati polvere o corpi estranei. Usare una spazzola morbida per rimuovere la polvere ammassata. Per proteggere gli occhi, indossare durante la pulizia occhiali protettivi.

Se la carcassa della macchina necessita pulizia, spolverarla con un canovaccio morbido e umido. Si può usare un debole detergente.



AVVERTENZA: Non è ammesso l'uso di alcole, benzina o altri solventi. Non adoperare mai preparati attaccanti per la pulitura delle parti plastiche.



AVVERTENZA: Non è ammessa l'entrata di acqua in contatto con la macchina.

IMPORTANTE! Per provvedere a un lavoro sicuro con l'elettro utensile, e alla sua affidabilità, tutte le attività relative alla riparazione, manutenzione e regolazione (ivi incluse la verifica e la sostituzione delle spazzole) vanno effettuare nei centri assistenza autorizzati SPARKY, usando soltanto pezzi di ricambio originali.

Garanzia

Il periodo di garanzia per gli utensili SPARKY ha validità a partire dalla data di acquisto ed è conforme alle normative europee.

Non sono coperti da garanzia danni derivanti da usura, sovraccarico o uso improprio.

L'azienda produttrice assicura la sostituzione di tutte le parti non funzionanti in cui si riconoscano difetti di materiale e/o di lavorazione.

Le prestazioni di garanzia saranno erogate solo se la macchina richiesta sarà inviata in condizioni integre al rivenditore o ad un centro di assistenza, accompagnata dallo scontrino fiscale.

Iteriori informazioni

Leggere attentamente tutte le istruzioni prima di iniziare a lavorare con l'utensile.

L'azienda produttrice si riserva il diritto di apportare modifiche tecniche senza preavviso.

Le specifiche tecniche possono variare da paese a paese.

Contenido

Introducción	41
Datos técnicos	43
Instrucciones generales de seguridad al operar con herramientas eléctricas	44
Instrucciones adicionales de seguridad al operar con taladradoras	46
Componentes principales de la herramienta eléctrica	A/47
Instrucciones para la operación	47
Mantenimiento	50
Garantía	51

DESENVASE

En conformidad con las tecnologías de grandes series generalmente aceptadas, es poco probable que su herramienta eléctrica sea defectuosa o que le falte alguna pieza. Si observa que algo no está en orden, no opere con la herramienta eléctrica hasta que su pieza dañada no haya sido sustituida o su defectuosidad no haya sido eliminada. El incumplimiento de esta recomendación puede conducir a un accidente de trabajo grave.

ENSAMBLAJE

La taladradora, envasada en un maletín, se suministra completamente ensamblada.
La taladradora, envasada en una caja, se suministra ensamblada, salvo el asidero lateral.

Introducción

La herramienta eléctrica SPARKY que acaba de adquirir superará sus expectativas. Ha sido fabricada conforme a las altas normas de calidad de SPARKY que responden a las exigencias más rigurosas del usuario. Su mantenimiento es fácil y es segura a la hora de explotarse. Si se usa correctamente, esta herramienta eléctrica le servirá con fiabilidad durante largos años.

¡ADVERTENCIA!



Lea con atención e íntegramente estas instrucciones de explotación antes de usar la herramienta eléctrica SPARKY que acaba de adquirir. Preste una atención especial a los textos encabezados por la palabra "Advertencia". Su herramienta eléctrica SPARKY posee muchas cualidades que facilitarán su trabajo. Al diseñarse esta herramienta eléctrica, se ha prestado una mayor atención a la seguridad, a las cualidades de explotación y a la fiabilidad que facilitan su mantenimiento y explotación.



¡No tire la herramienta eléctrica junto con los residuos domésticos!

Los residuos de productos eléctricos no deben recogerse junto con los residuos domésticos. Por favor, recíclelos en los lugares destinados a ello. Póngase en contacto con las autoridades locales o con un representante suyo para informarse respecto al reciclaje.

PROTECCIÓN DEL MEDIO AMBIENTE



Con miras a la protección del medio ambiente, esta herramienta eléctrica, sus accesorios y su envase deben someterse a un tratamiento adecuado para reutilizar las materias primas que contienen.

Para facilitar el reciclaje de las piezas fabricadas de materiales artificiales, éstas han sido marcadas de la forma correspondiente.

DESCRIPCIÓN DE LOS SÍMBOLOS

Sobre la placa de características técnicas de la herramienta eléctrica se han marcado símbolos especiales. Éstos facilitan información importante sobre el producto o instrucciones para su manejo.



Doble aislamiento de protección adicional.



En conformidad con las Directivas europeas de aplicación.



Cumple con las regulaciones de la Unión Aduanera.



En conformidad con los requisitos de los documentos normativos ucranianos.




Familiarícese con el manual de usuario.

YYYY-Www Período de fabricación, donde los símbolos variables son:
YYYY: año de fabricación,
ww: semana civil consecutiva.

BU, BUR Taladradora de percusión.

Datos técnicos

Modelo	BU 150	BUR 150E	BUR 150CET
Potencia consumida	650 W	600 W	600 W
Revoluciones en marcha en vacío	2800 min ⁻¹	0-2800 min ⁻¹	500-2500 min ⁻¹
Regulación electrónica de las revoluciones	no	sí	sí
Regulación electrónica del momento rotatorio	no	no	sí
Cambio del sentido de rotación	no	sí	sí
Diapasón del mandril	1,5-13 mm	1,5-13 mm	1,5-13 mm
Diámetro máximo de la broca:			
para acero	13 mm	13 mm	13 mm
para madera	25 mm	25 mm	25 mm
para hormigón	15 mm	15 mm	15 mm
Peso (EPTA Procedimiento 01/2014)	2,0 kg	2,0 kg	2,0 kg
Clase de protección (EN 60745-1) 	II	II	II

INFORMACIÓN SOBRE EL RUIDO Y LAS VIBRACIONES

Los valores se han medido según la norma EN 60745.

Emisión de ruido

A-nivel medido de presión sonora L_{pA}	96,0 dB (A)	96,0 dB (A)	96,0 dB (A)
Indeterminación K_{pA}	3,0 dB (A)	3,0 dB (A)	3,0 dB (A)
A-nivel medido de potencia sonora L_{wA}	107,0 dB (A)	107,0 dB (A)	107,0 dB (A)
Indeterminación K_{wA}	3,0 dB (A)	3,0 dB (A)	3,0 dB (A)

¡Utilice medios de protección contra el ruido!

Emisión de vibraciones *

Valor total de las vibraciones (suma vectorial de tres direcciones) determinado según la norma EN 60745:

Perforación de percusión en hormigón			
Valor de las vibraciones emitidas $a_{h,1D}$	23,0 m/s ²	23,0 m/s ²	23,0 m/s ²
Indeterminación K_{1D}	1,5 m/s ²	1,5 m/s ²	1,5 m/s ²
Perforación en acero			
Valor de las vibraciones emitidas $a_{h,D}$	6,0 m/s ²	6,0 m/s ²	6,0 m/s ²
Indeterminación K_D	1,5 m/s ²	1,5 m/s ²	1,5 m/s ²
Enrosca/Desenroscar			
Valor de las vibraciones emitidas a_h			<2,5 m/s ²
Indeterminación K	1,5 m/s ²	1,5 m/s ²	1,5 m/s ²

* Las vibraciones se han determinado según el apartado 6.2.7 de la norma EN 60745.

El nivel de las vibraciones determinado en esta instrucción ha sido medido en conformidad con la metodología de ensayo indicada en EN 60745 y podrá utilizarse para comparar instrumentos eléctricos. El nivel de las vibraciones podrá utilizarse para una evaluación previa del grado de influencia.

El nivel declarado de las vibraciones se refiere a la destinación principal del instrumento eléctrico. En los casos cuando el instrumento eléctrico se utilice con otra destinación, con otros accesorios o cuando el instrumento eléctrico no haya sido mantenido debidamente, el nivel de las vibraciones podrá ser diferente al indicado. En estos casos, el nivel de influencia podrá aumentar considerablemente dentro de los límites del período total de funcionamiento.

En la evaluación del nivel de influencia de las vibraciones se deberá tener en consideración el tiempo durante el cual el instrumento eléctrico queda desconectado o conectado, pero no se utiliza. Esto podrá reducir notablemente el nivel de influencia dentro de los límites del período total de funcionamiento.

¡Manténganse el instrumento eléctrico y los accesorios en buen estado! Procure tener las manos calientes durante el trabajo. Esto disminuirá la influencia nociva durante un trabajo con vibraciones elevadas.

El polvo desprendido en el procesamiento de los materiales, como pinturas que contienen plomo, algunos tipos de madera, minerales y metales, podrá ser peligroso para la salud. El contacto o la aspiración del polvo podrá provocar reacciones alérgicas y/o enfermedades de las vías respiratorias del operario o de las personas a su alrededor.

Algunos tipos de polvo, por ejemplo, de roble o de haya, se consideran cancerígenos, ante todo si se combinan con adiciones para procesar la madera (cromato, conservantes). El material que contenga asbesto se ha de procesar únicamente por especialistas.

- Cuando sea posible, utilice la evacuación de polvo.
- Para alcanzar un alto grado de captación de polvo, al operar con esta herramienta eléctrica, utilice una aspiradora destinada a recoger polvo de madera o para polvo de madera y/o polvo mineral.
- Asegure una buena ventilación del lugar de trabajo.
- Se recomienda usar una mascarilla antipolvo de protección con filtro clase P2.

Respétense las disposiciones vigentes en su país acerca del procesamiento de los respectivos materiales.

Instrucciones generales de seguridad al operar con herramientas eléctricas



ADVERTENCIA! Lea íntegramente estas advertencias e instrucciones de seguridad. Si no se respetan las advertencias e instrucciones de seguridad, podrá llegar a causarse una avería por la corriente eléctrica, un incendio y/o una lesión grave.

Guárdense todas las advertencias e instrucciones de seguridad para su uso futuro.

El término "herramienta eléctrica" empleado en todas las advertencias descritas a continuación se refiere a su instrumento eléctrico alimentado de la red (con un cordón eléctrico) y/o de una máquina eléctrica alimentada por una batería de acumuladores (sin cordón eléctrico).

1) Seguridad del puesto de trabajo

- a) **Mantenga limpio y bien iluminado su puesto de trabajo.** El desorden y la insuficiente iluminación son premisas para un accidente de trabajo.
- b) **No trabaje con la herramienta eléctrica en un entorno de aire explosivo donde hay líquidos inflamables, gases o polvo.** Las herramientas eléctricas producen chispas que pueden incendiar el polvo o el vapor.
- c) **Mantenga a los niños y a las personas extrañas a una distancia cuando esté trabajando con una herramienta eléctrica.** Una distracción suya le puede hacer perder el control sobre el instrumento eléctrico.

2) Seguridad eléctrica

- a) **Los enchufes de las herramientas eléctricas deben corresponder a la toma de corriente. No cambie el enchufe bajo ningún concepto. No emplee ningún enchufe adaptador en las herramientas eléctricas de puesta a tierra.** El uso de enchufes no modificados y su correspondiente toma de corriente reduce el riesgo de una avería causada por la corriente eléctrica.
- b) **Evite el contacto de su cuerpo con la tierra o con superficies con puesta a tierra, como tubos, radiadores, cocinas y refrigeradores.** Si su cuerpo está con puesta a tierra, existe un mayor riesgo de producirse una avería por la corriente eléctrica.
- c) **No exponga la herramienta eléctrica a la lluvia o en un ambiente húmedo.** La penetración del agua en el interior del instrumento eléctrico aumenta el riesgo de producirse una avería por la corriente eléctrica.
- d) **Utilice el cordón eléctrico conforme a su destino. Jamás utilice el cordón eléctrico para trasladar el instrumento eléctrico, tirar o sacar el enchufe de la toma de corriente. Mantenga el cordón eléctrico alejado del calor, de lubricantes, aristas vivas o piezas móviles.** Los cordones eléctricos deteriorados o enredados aumentan el riesgo de producirse una avería por la corriente eléctrica.
- e) **Al trabajar con la herramienta eléctrica a la intemperie, utilice un alargador apropiado para trabajar al aire libre.** La utilización de un alargador adecuado para trabajar a la intemperie reduce el riesgo de producirse una avería por la corriente eléctrica.
- f) **Para interrumpir la alimentación, utilice un dispositivo de seguridad que se pone en funcionamiento por la corriente**

eléctrica restante de ser imprescindible el empleo de la herramienta eléctrica en un ambiente húmedo. *La aplicación de un dispositivo de seguridad reduce el riesgo de producirse una avería por la corriente eléctrica.*

3) Seguridad personal

- a) **Manténgase en alerta, trabaje con mayor atención y sea prudente mientras esté trabajando con la herramienta eléctrica. No utilice la herramienta eléctrica si estuviese cansado bajo el efecto de drogas, alcohol o medicamentos. Un instante de falta de atención al trabajar con un instrumento eléctrico puede provocar un grave accidente de trabajo.**
- b) **Utilice medios de protección personal. Lleve siempre medios para la protección de los ojos. Los medios de protección personal como carreta antipolvo, zapatos seguros con suela antideslizante, casco o protectores auditivos utilizados en condiciones concretas reducen el riesgo de accidentes de trabajo.**
- c) **Evite una puesta en marcha involuntaria. Antes de asir o trasladar el instrumento eléctrico, asegúrese de que el interruptor esté desconectado previa su conexión a la fuente de alimentación y/o a la batería de acumuladores. Puede dar lugar a un accidente de trabajo que la herramienta eléctrica sea trasladada con el dedo sobre el interruptor, o bien la conexión de dicha herramienta a una fuente de alimentación con el interruptor en posición conectada.**
- d) **Retire toda llave de ajuste o llaves de tuercas antes de conectar la herramienta eléctrica. Una llave de ajuste o llave de tuercas fijada a una pieza rotatoria puede producir un accidente de trabajo.**
- e) **¡No alargue la mano! Mantenga en todo momento la postura correcta y el equilibrio. Ello permitirá un mejor manejo de la herramienta eléctrica en caso de que se presente una situación inesperada.**
- f) **Lleve una ropa de trabajo adecuada. No lleve prendas anchas o joyas. Mantenga su cabello, vestimenta y guantes alejados de las piezas móviles. La ropa ancha, las joyas o el pelo largo se podrán enganchar a las piezas en movimiento.**
- g) **Siempre que sea posible, utilice equipos de aspiración o recogepolvos y asegúrese que estén conectados y que se utilicen correctamente. El uso de estos**

dispositivos puede reducir los riesgos que son producto del polvo.

4) Uso y cuidado de las herramientas eléctricas

- a) **No sobrecargue la herramienta eléctrica. Según el uso, hágase una correcta selección de la herramienta eléctrica. La herramienta correctamente seleccionada funciona mejor y con mayor seguridad en el régimen de trabajo para el que ha sido diseñada.**
- b) **No utilice la herramienta eléctrica si el interruptor no conmuta en posición de “conectado” y “desconectado”. Toda herramienta eléctrica que no pueda ser manejada con el interruptor es peligrosa y ha de ser reparada.**
- c) **Antes de efectuar cualquier ajuste, saque el enchufe de la red de alimentación, previo cambio de cualquier accesorio o antes de guardar la herramienta. Estas medidas de seguridad preventivas reducen el riesgo de poner en funcionamiento la herramienta eléctrica accidentalmente.**
- d) **Guarde las herramientas eléctricas que no hayan sido utilizadas en lugares que estén fuera del alcance de los niños, y no permita que trabajen con ella las personas que prestan servicios y desconozcan la herramienta eléctrica y estas instrucciones. Las herramientas eléctricas son peligrosas en manos de usuarios inexpertos.**
- e) **Mantenga la herramienta eléctrica. Averigüe si sus piezas móviles funcionan correctamente y se mueven con libertad, así como la integridad y el buen estado de las piezas, como también cualquier otra circunstancia que pudiera afectar de forma desfavorable el funcionamiento de la herramienta eléctrica. En caso de que esté deteriorada, la herramienta habrá de repararse antes de que se continúe usando. Muchos accidentes se deben al mal mantenimiento de las herramientas eléctricas.**
- f) **Mantenga las herramientas cortantes limpias y afiladas. Las herramientas cortantes con bordes afilados y cortantes que tengan un mantenimiento correcto es menos probable que bloqueen y son más fáciles de manejar.**
- g) **Utilice la herramienta eléctrica, los accesorios, las piezas, etc., de acuerdo con estas instrucciones y de la forma prevista para el tipo de herramienta eléctrica**

ca concreta, tomando en consideración las condiciones laborales y el trabajo a realizar. El uso de la herramienta eléctrica con fines diferentes a aquellos para los que ha sido diseñada puede causar una situación de peligro.

5) Servicio

- a) Repare su herramienta eléctrica con un técnico cualificado en reparaciones, utilizando sólo piezas de recambio originales. Ello garantizará el mantenimiento y la seguridad de la herramienta eléctrica.

Instrucciones adicionales de seguridad al operar con taladradoras



Utilice medios de protección de la audición al operar con taladradoras de percusión. El ruido intenso durante la operación puede ocasionar daños auditivos.

- Utilice siempre el asidero adicional suministrado con la máquina. La pérdida de control puede ocasionar un accidente de trabajo.



Durante la operación, utilice medios de protección de la vista para cuidarse de las partículas volantes. Lleve gafas de protección.



Adopte medidas preventivas contra la aspiración de polvo. Es posible que algunos materiales contengan componentes tóxicos. Lleve una careta de protección antipolvo. Utilice un dispositivo para la evacuación del polvo en caso de que sea posible acoplarlo a la herramienta eléctrica.

- Sujete la herramienta eléctrica solamente por las superficies aisladas de sujeción cuando esté efectuando una operación, en la cual el accesorio cortante puede entrar en contacto con una instalación eléctrica oculta o con su propio cable. El contacto del accesorio cortante con un conductor eléctrico bajo tensión pondrá las partes metálicas de la herramienta eléctrica que están al descubierto bajo tensión, y el operador sufrirá electrocución.
- No procese materiales que contienen amianto. El amianto se considera una sustancia cancerígena.



ADVERTENCIA: Antes de conectar la herramienta eléctrica a la red de alimentación, cerciórese de que el voltaje de alimentación corresponde al indicado sobre la placa de datos técnicos de la herramienta eléctrica.

- Una fuente de alimentación con voltaje superior al indicado para la herramienta eléctrica puede causar tanto un daño grave de corriente eléctrica al operador como una avería a la herramienta eléctrica.
- Si tiene algunas vacilaciones, no introduzca el enchufe de la herramienta eléctrica en la caja de contacto.
- El uso de una fuente de alimentación con voltaje inferior al indicado sobre la placa de datos técnicos de la herramienta eléctrica dañará el motor eléctrico.
- Para evitar un sobre calentamiento posible, desenrosque siempre hasta el final el cable del prolongador con un tambor de cable.
- Cuando sea imprescindible usar un prolongador, cerciórese de que su sección corresponde a la corriente nominal de la herramienta eléctrica utilizada, así como del buen estado del prolongador.



ADVERTENCIA: Desconecte siempre la herramienta eléctrica y saque el enchufe de la toma de corriente antes de efectuar cualquier ajuste, servicio o mantenimiento.

- Mientras esté operando, sostenga siempre la máquina fuertemente con ambas manos y mantenga su cuerpo en posición estable. La herramienta eléctrica se maneja con mayor seguridad cuando se sostiene con ambas manos.
- Antes de empezar a operar, averigüe con un buscametales apropiado si hay una instalación eléctrica, un gasoducto o una tubería de agua ocultos, o bien solicite la asistencia de los respectivos servicios locales. El contacto de la broca con una instalación eléctrica oculta puede causar descarga de corriente eléctrica. La avería de un gasoducto puede provocar explosión. La perforación de una tubería de agua originará daños materiales o descarga de corriente eléctrica.
- Mantenga el cable de alimentación fuera del alcance de funcionamiento de la máquina.
- No utilice la herramienta eléctrica con el cable dañado. No toque el cable dañado y saque el enchufe de la toma de corriente si el cable se

ha dañado durante la operación. Los cables dañados elevan el riesgo de electrocución.

- Mantenga siempre su cuerpo en posición estable. Cuando esté operando con la herramienta eléctrica en altura, cerciórese de que debajo de usted no haya nadie.
- Fije la pieza que está procesando en una mordaza o de otra forma apropiada.
- Observe el momento de inercia al poner en marcha la herramienta eléctrica o en caso de acuíñarse la broca. Desconecte inmediatamente la herramienta eléctrica si la broca ha bloqueado. Manténgase en alerta de que no se produzca un momento reactivo alto que pueda provocar retroceso. La broca quedará bloqueada si la herramienta eléctrica se sobrecarga o si se acuíña en el material que se está procesando.
- No toque la broca ni la pieza en procesamiento inmediatamente después de la operación. Éstas pueden estar muy calientes y provocar quemaduras en su piel.
- Mantenga el puesto de trabajo limpio. La mezcla de polvo de diversos materiales es sumamente peligrosa. El polvo de metales ligeros puede arder o explotar.
- No deje nunca trapos, estopas, hilos conductores o alambres cerca del lugar de trabajo.
- Desconecte siempre la máquina antes de guardarla.
- La herramienta eléctrica debe usarse solamente según el fin con que ha sido concebida. Cualquier otro uso que difiera del que se describe en este manual se considera uso incorrecto. La responsabilidad por cualquier daño o lesión derivados del uso incorrecto será asumida por el usuario, y no por el fabricante.
- Para explotar correctamente esta herramienta eléctrica, deben cumplirse las normas de seguridad, las instrucciones generales y las indicaciones de operación que se señalan aquí. Cada usuario debe familiarizarse con este manual de usuario y estar informado acerca de los riesgos potenciales al operar con la herramienta eléctrica. Los niños y las personas físicamente débiles no deben utilizar esta herramienta eléctrica. Los niños deben estar bajo vigilancia constante si se encuentran cerca del lugar de operación con la herramienta eléctrica. Es obligatorio adoptar asimismo medidas de seguridad preventivas. Ello se refiere también al cumplimiento de las normas básicas de salud profesional y seguridad.
- El fabricante no asume responsabilidad por

las modificaciones en la herramienta eléctrica que hayan sido efectuadas por el usuario o por las averías causadas a raíz de estas modificaciones.

- La herramienta eléctrica no debe usarse al aire libre cuando esté lloviendo, en un entorno húmedo (después de llover) o cerca de líquidos y gases fácilmente inflamables. El puesto de trabajo debe estar bien iluminado.

Componentes principales de la herramienta eléctrica

Antes de empezar a operar con la herramienta eléctrica, infórmese acerca de todas sus peculiaridades operativas y de las condiciones de seguridad.

Utilice la herramienta eléctrica y sus accesorios solamente según el fin con que han sido concebidos. Queda terminantemente prohibida cualquier otra aplicación.

1. Tornillo de seguridad (BUR150E, BUR150CET)
2. Mandril
3. Lugar de fijación del husillo
4. Gollete de la taladradora
5. Conmutador de los regímenes de operación
6. Orificios de ventilación
7. Línea demarcadora
8. Asidero adicional
9. Palanca para cambiar el sentido de rotación (BUR 150E, BUR 150CET)
10. Regulador electrónico de las revoluciones (BUR 150E, BUR 150CET)
11. Interruptor
12. Botón de fijación del interruptor
13. Regulador del momento rotatorio (BUR 150CET)
14. Diodo luminiscente verde
15. Diodo luminiscente rojo

Instrucciones para la operación

Esta herramienta eléctrica se alimenta solamente mediante voltaje monofásico alterno. Posee doble aislamiento, según las normas EN 60745-1 e IEC 60745, y puede conectarse a tomas de corriente sin bornes de protección. Las radiointerferencias corresponden a la Directiva

de Compatibilidad Electromagnética.

Esta herramienta eléctrica está destinada a perforar orificios en acero, madera, plástico, etc. El régimen de percusión rotatorio previsto permite perforar orificios en hormigón, piedra, mampostería y otros materiales frágiles.

El mando electrónico incorporado CET, con regulador del momento rotatorio, permite usar la máquina para enroscar tornillos.

ANTES DE EMPEZAR LA OPERACIÓN

- Revise si el voltaje de la red eléctrica corresponde al indicado en la placa de datos técnicos de la herramienta eléctrica.
- Revise la posición en que se encuentra el interruptor. La herramienta eléctrica debe conectarse y desconectarse de la red de alimentación solamente cuando el interruptor esté desconectado. Si el enchufe ha sido introducido en la toma de corriente mientras que el interruptor está conectado, la herramienta eléctrica se accionará inmediatamente, lo cual es una premisa de accidente.
- Cerciérese del buen estado del cable de alimentación y del enchufe. Si el cable de alimentación está dañado, la sustitución de éste debe efectuarse por el fabricante o por un técnico de servicio suyo para evitar los peligros de la sustitución.



ADVERTENCIA: Desconecte siempre la herramienta eléctrica y saque el enchufe de la toma de corriente antes de efectuar cualquier ajuste, servicio o mantenimiento.

- Si la zona de operación está alejada de la fuente de alimentación, utilice un prolongador de sección apropiada lo más corto posible.
- Revise si el asidero adicional ha sido colocado correctamente y si ha sido atiesado de forma segura.



ADVERTENCIA: Antes de empezar la operación, revise siempre el sentido de rotación. Utilice la palanca de cambio del sentido de rotación solamente cuando el husillo haya dejado de girar completamente. El cambio del sentido de rotación, antes de que el husillo haya parado definitivamente, puede averiar la herramienta eléctrica.

CONEXIÓN - DESCONEXIÓN

Accionamiento breve

- Conexión: El interruptor 11 se aprieta. Se ilumina el diodo luminiscente 14 (BUR150-CET).
- Desconexión: El interruptor 11 se afloja.

Operación continua

- Conexión: El interruptor 11 se aprieta, y, estando apretado, se inmoviliza con el botón 12.
- Desconexión: El interruptor 11 se aprieta una sola vez y se afloja inmediatamente.

REGULACIÓN ELECTRÓNICA PROGRESIVA DE LAS REVOLUCIONES (BUR 150E)

Al apretar ligeramente el interruptor 11, se provoca el accionamiento de la taladradora a revoluciones bajas, que aumentan paulatinamente hasta las máximas, elevando la presión sobre el interruptor, hasta llegar a la posición extrema.

SELECCIÓN DE LAS REVOLUCIONES (BUR 150E, BUR 150CET)

Al girar el regulador electrónico 10 en el sentido de la aguja del reloj o viceversa, se seleccionan las revoluciones necesarias.

CAMBIO DEL SENTIDO DE ROTACIÓN (BUR 150E, BUR 150CET)

La posición extrema derecha de la palanca 9 significa rotación en el sentido de la aguja del reloj, y la posición extrema izquierda, en el sentido inverso al de la aguja del reloj.

Al apretar el interruptor 11, la palanca 9 no se puede accionar. El cambio del sentido de rotación debe efectuarse solamente cuando la taladradora esté en reposo.

AJUSTE DEL MOMENTO ROTATORIO (BUR 150CET)

El momento rotatorio se selecciona con el regulador del momento rotatorio 13.

- I: momento rotatorio mínimo de desconexión
- III: momento rotatorio máximo de desconexión

En régimen de perforación normal, debe aplicarse el momento rotatorio máximo. No se debe operar durante un momento continuo a revoluciones bajas y con un momento rotatorio alto.

INDICACIÓN DE DIODO LUMINISCENTE (BUR 150CET)

Diodo luminiscente verde 14: cumple el papel de indicador del sentido de rotación del husillo de la herramienta eléctrica:

- se ilumina constantemente: la máquina está conectada a la red; se ha seleccionado el sentido de rotación derecho del huso.

- se ilumina con luz parpadeante: la máquina está conectada a la red; se ha seleccionado el sentido de rotación izquierdo.

Diodo luminiscente rojo 15: cumple el papel de indicador para accionar el control del momento:

- se ilumina constantemente: la máquina está conectada a la red; se ha accionado el dispositivo para controlar el momento.

- se ilumina con luz parpadeante: la máquina está conectada a la red; se ha interrumpido el voltaje de alimentación.

Para recuperar el funcionamiento normal, es necesario desconectar la herramienta eléctrica, y, posteriormente, volver a conectarla con el interruptor de arranque.

CONMUTACIÓN DE LOS REGÍMENES DE OPERACIÓN

- perforación de orificios en metal, madera, etc. El conmutador 5 está en la posición extrema derecha, visualizándose el símbolo "broca".

- perforación de orificios en hormigón, piedra, etc.

El conmutador 5 está en la posición extrema izquierda, visualizándose el símbolo "martillo".

La conmutación de los regímenes de operación puede efectuarse también cuando la taladradora esté en funcionamiento.

MONTAJE Y APRIETE DE LA BROCA

En máquinas con mandril con llave:

Al girar la corona del mandril 2 en el sentido de la aguja del reloj o viceversa, sus mandíbulas se mueven hasta la posición que permite que la cola de la broca se introduzca entre éstas. Al girar la corona del mandril 2 en el sentido de la aguja del reloj, las mandíbulas agarran la cola de la broca. Con la llave especial, la broca se atiesa definitivamente al mandril, girando uniformemente en los tres orificios.

En máquinas con mandril de apriete rápido:

Se retiene la corona posterior del mandril, girando la corona anterior, hasta que el mandril se abra suficientemente para colocar la broca. Posteriormente, la corona anterior se atiesa a mano, oyéndose un sonido claro.

DESMONTAJE DEL MANDRIL

En máquinas con mandril con llave

Las mandíbulas del mandril 2 se abren hasta el tope. Con la ayuda de un destornillador, se desenrosca el tornillo de seguridad con rosca izquierda. El lugar para fijar el husillo 3 se agarra mediante una llave de tuercas. La llave especial para apretar el mandril se coloca en una de las tres aberturas, y, al girar en el sentido inverso al de la aguja del reloj, utilizando la llave como palanca, se desenrosca el mandril 2 del husillo de la taladradora.

En máquinas con mandril de apriete rápido:

Se retiene la corona posterior del mandril, girando la corona anterior, hasta que el mandril se haya abierto hasta el tope.

Con la ayuda de un destornillador, se desenrosca el tornillo de seguridad de rosca izquierda. En el mandril se coloca un terminal hexaédrico o el mecanismo para enroscar tornillos, y se aprieta. El lugar para fijar el husillo 3 se agarra con una llave de tuercas, girando el mandril en el sentido inverso al de la aguja del reloj mediante el extremo libre del terminal.

DESENROSCAR Y ENROSCAR PERNOS, TORNILLOS Y TUERCAS. (BUR 150E, BUR150CET)

El mandril 2 se desmonta de la forma descrita anteriormente, y el dispositivo correspondiente para enroscar, respectivamente, desenroscar pernos, tuercas o tornillos se monta directamente al huso. El conmutador 5 de los regímenes de operación se coloca en la posición extrema derecha de modo que se pueda visualizar completamente el símbolo "broca". Con la palanca 9, para cambiar el sentido de rotación, se selecciona la operación de desenroscar o enroscar. Las operaciones deben efectuarse solamente a revoluciones bajas.



ADVERTENCIA: Al enroscar pernos y tornillos largos, existe el peligro de que la taladradora se deslice.

CONSEJOS PARA ENROSCAR TORNILLOS

- Utilícese terminales para enroscar, de forma y tamaño apropiados;
- En madera blanda, los tornillos apropiados pueden enroscarse sin hacer perforaciones previas;

- En madera dura, se hace una perforación previa para los tornillos de diámetros más grandes;
- En tornillos con cabeza avellanada, el orificio debe avellanarse;
- En tornillos para madera con rosca intransitable, debe perforarse previamente alrededor de la mitad de la longitud del tornillo.

ASIDERO ADICIONAL

El asidero adicional 8 se atiesa al gollete 4 de la taladradora. Mediante la línea demarcadora 7, se puede fijar la profundidad de los orificios que se están perforando.

RECOMENDACIONES AL OPERAR CON LA TALADRADORA

Aplique una presión moderada al perforar en hormigón (aproximadamente, 80-100N). La presión grande no eleva la productividad al perforar y conlleva la reducción de la vida de la máquina. En máquinas con regulador electrónico, perfore a revoluciones inferiores a las máximas, seleccionando las revoluciones en dependencia del material.

Utilice brocas con láminas de aleación sólida y cola cilíndrica. De vez en cuando, saque la broca de la abertura para eliminar el polvo.

Debe seguirse el grado de embotamiento de la broca y cambiarla cuando se observe una disminución considerable de la productividad. No perfore inmediatamente con diámetro grande; perfore primero con una broca más pequeña.

El diapasón óptimo al perforar en hormigón es hasta 10 mm; el diapasón posible es hasta 15 mm.

ACCESORIOS QUE PUEDEN UTILIZARSE CON ESTA HERRAMIENTA ELÉCTRICA

- Brocas para metal con diámetro de Ø3 mm a Ø13 mm
- Brocas para madera con diámetro de Ø3 mm a Ø25 mm
- Brocas para hormigón con diámetro de Ø3 mm a Ø15 mm
- Terminales con hexaedro de unión de 6.35 mm (1/4") para enroscar tornillos.

Mantenimiento



ADVERTENCIA: Desconecte siempre la herramienta eléctrica y saque el enchufe de la toma de corriente antes de realizar cualquier revisión o mantenimiento.

CAMBIO DE LOS CEPILLOS

La herramienta eléctrica está provista de cepillos que se desconectan automáticamente. Cuando los cepillos se desgasten, ambos cepillos deben sustituirse simultáneamente por cepillos originales en un centro de servicio de SPARKY de mantenimiento de garantía y fuera de garantía.

REVISIÓN GENERAL

Revise regularmente todos los elementos de entibación y cerciórese de que hayan sido bien atiesados. En caso de que alguno de los tornillos se haya aflojado, apriételo inmediatamente para evitar situaciones de riesgo.

Si el cable de alimentación está dañado, su sustitución debe efectuarse por el fabricante o por un técnico de servicio suyo para evitar los peligros de la sustitución.

LIMPIEZA

Para una operación segura, mantenga siempre limpios la máquina y los orificios de ventilación. Revise regularmente si en la rejilla de ventilación, cerca del motor eléctrico o en torno a los conmutadores no han entrado polvo o cuerpos ajenos. Utilice un cepillo suave para quitar el polvo acumulado. Para proteger sus ojos, lleve gafas de protección durante la limpieza.

Si el cuerpo de la máquina necesita limpieza, límpielo con un paño suave y húmedo. Puede emplearse un detergente de limpieza suave.



ADVERTENCIA: No se deben usar alcohol, gasolina ni otros disolventes. No utilice nunca detergentes de limpieza corrosivos para limpiar las piezas de plástico.



ADVERTENCIA: El agua no debe entrar en contacto con la máquina.

¡IMPORTANTE! Para garantizar una operación segura con la herramienta eléctrica y su fiabilidad, todas las actividades de reparación, mantenimiento y regulación (incluidas la revisión y la sustitución de los cepillos) deben efectuarse en los centros de servicio autorizados de SPARKY, utilizando solamente piezas de recambio originales.

Garantía

El plazo de garantía de las herramientas eléctricas SPARKY se determina en la tarjeta de garantía.

Los defectos que hayan surgido como consecuencia del desgaste natural, de la sobrecarga o de la explotación incorrecta se excluyen de las obligaciones de la garantía.

Los defectos que hayan surgido como consecuencia de que se hayan invertido materiales de baja calidad y/o de errores de fabricación, serán subsanados sin pago adicional, mediante sustitución o reparación.

La reclamación por una herramienta eléctrica SPARKY defectuosa será reconocida cuando la máquina haya sido devuelta al proveedor o cuando haya sido presentada en un centro de servicio de garantía autorizado en su estado sin desmontar (inicial).

Observaciones

Lea atentamente todo el manual de usuario antes de usar este producto.

El fabricante se reserva el derecho de introducir mejoras y modificaciones en sus productos, así como modificar las especificaciones, sin notificarlo.

Las especificaciones pueden variar para cada país.

Conteúdo

Introdução	52
Dados técnicos	54
Indicações gerais de segurança do trabalho com ferramentas eléctricas	55
Refras adicionais de segurança do trabalho com berbequins	56
Conhecimento da ferramenta eléctrica	A/58
Instruções para o trabalho	58
Manutenção	61
Garantia	61

DESEMBALAGEM

De acordo com as tecnologias de produção geralmente utilizadas, é pouco provável o novo instrumento eléctrico que você adquiriu ser ineficiente ou lhe faltar alguma peça. Mesmo assim, se você verificar que qualquer coisa não está bem, não trabalhe com o instrumento, enquanto a peça ineficiente não for substituída, ou a imperfeição não ficar eliminada. O não seguimento desta recomendação é capaz de provocar um acidente de trabalho grave.

ENSAMBLAGEM

- O berbequim embalado em mala fornece-se completamente ensablado
- O berbequim embalado em caixa fornece-se ensablado, excepto a manipula lateral.

Introdução

O novo instrumento eléctrico SPARKY que adquiriu vai ultrapassar as suas expectativas. Ele foi fabricado de acordo com os mais elevados padrões de qualidade da SPARKY, os quais vão de encontro com as exigências mais rigorosas do consumidor. Fácil de manutenção e seguro durante a utilização, sendo correctamente manipulado, este instrumento eléctrico servir-lhe-á fielmente durante muitos anos.

ATENÇÃO!



Leia atentamente toda a instrução para o uso, antes de começar a trabalhar com o seu novo instrumento eléctrico SPARKY. Preste especial atenção aos textos que começam com a palavra "Atenção". O seu instrumento eléctrico SPARKY possui qualidades que não de facilitar o seu trabalho. Ao ser fabricado este instrumento eléctrico, maior atenção foi prestada à segurança, às qualidades de exploração e à fiabilidade, as quais fazem dele um instrumento fácil de manutenção e de exploração.



Não deitar o instrumento eléctrico para o lixo comum!

Os resíduos de aparelhos eléctricos não se devem misturar com o lixo comum. Mande-os para reciclagem nos lugares destinados a isso. Ponha-se em contacto com as autoridades locais ou com um representante para consultar a forma de reciclagem.

PROTECÇÃO DO MEIO AMBIENTE



Visando a protecção do meio ambiente, o instrumento eléctrico, os seus acessórios e embalagem têm de ser submetidos a uma adequada reelaboração para serem novamente utilizadas as matérias primas contidas neles.

Para facilitar a reciclagem, as peças feitas de materiais sintéticos levam a respectiva denotação.

DESCRIÇÃO DOS SÍMBOLOS

Sobre a chapa com os dados do instrumento eléctrico estão denotados os símbolos especiais que fornecem importante informação sobre o artefacto ou recomendações para o seu uso.



Duplo isolamento para dupla protecção.



Conformidade com as directrizes europeias aplicáveis.



Está conforme com as exigências dos regulamentos da União Alfandegária.



Conformidade com as exigências dos documentos normativos ucranianos.




Leia a instrução para o uso.

YYYY-Www Período de fabrico, onde os símbolos variáveis são:

YYYY – ano de fabrico,
ww - semana em curso.

BU, BUR Berbequim de percussão.

Dados técnicos

Model	BU 150	BUR 150E	BUR 150CET
Consumo de energia	650 W	600 W	600 W
Rotações ao ralenti	2800 min ⁻¹	0-2800 min ⁻¹	500-2500 min ⁻¹
Regulação electrónica das rotações	não	sim	sim
Regulação electrónica do torque	não	não	sim
Mudança do sentido de rotação	não	sim	sim
Ao alcance do mandril	1,5-13 mm	1,5-13 mm	1,5-13 mm
Diâmetro máximo da broca:			
para aço	13 mm	13 mm	13 mm
para madeira	25 mm	25 mm	25 mm
para concreto	15 mm	15 mm	15 mm
Peso (EPTA procedimento 01/2014)	2,0 kg	2,0 kg	2,0 kg
Classe de segurança (EN 60745-1) 	II	II	II

INFORMAÇÃO SOBRE RÚIDO E VIBRAÇÕES

Os valores foram calculados segundo EN 60745):

Emissão de ruído:

A- nível calculado de pressão sonora L_{pA}	96,0 dB (A)	96,0 dB (A)	96,0 dB (A)
Ambiguidade K_{pA}	3,0 dB (A)	3,0 dB (A)	3,0 dB (A)
A- nível calculado de potência sonora L_{wA}	107,0 dB (A)	107,0 dB (A)	107,0 dB (A)
Ambiguidade K_{wA}	3,0 dB (A)	3,0 dB (A)	3,0 dB (A)

Use meios de protecção contra o ruído!

Emissão de vibrações*

Valor global das vibrações (soma vectorial pelos três eixos), determinado de acordo com EN 60745

Perfuração de percussão em concreto:			
Valor das vibrações emanadas $a_{h,ID}$	23,0 m/s ²	23,0 m/s ²	23,0 m/s ²
Ambiguidade K_{ID}	1,5 m/s ²	1,5 m/s ²	1,5 m/s ²
Perfuração em aço:			
Valor das vibrações emanadas $a_{h,D}$	6,0 m/s ²	6,0 m/s ²	6,0 m/s ²
Ambiguidade K_D	1,5 m/s ²	1,5 m/s ²	1,5 m/s ²
Aparafusamento/Desaparafusamento			
Valor das vibrações emanadas a_p			<2,5 m/s ²
Ambiguidade K	1,5 m/s ²	1,5 m/s ²	1,5 m/s ²

* As vibrações são calculadas segundo o p. 6.2.7 de EN 60745.

O nível das vibrações, indicado neste manual, foi determinado com base no teste indicado por EN 60745 e pode ser utilizado para a comparação de instrumentos eléctricos. O nível das vibrações pode ser utilizado para a avaliação prévia do grau de impacto.

O nível das vibrações declarado refere-se à utilização principal do instrumento. Caso o instrumento eléctrico seja utilizado para outros fins, ou forem utilizados outros acessórios, ou o instrumento não for bem tratado, o nível das vibrações diferenciar-se-á do declarado. Em tais casos o nível do impacto pode crescer consideravelmente dentro do período laboral total.

Ao avaliar o nível de impacto das vibrações, é preciso considerar também o tempo em que o instrumento está desligado, ou está ligado, mas sem funcionar. Tal pode diminuir consideravelmente o nível do impacto dentro do período laboral total.

Mantenha o instrumento eléctrico e os acessórios em bom estado. Cuide as mãos quentes durante o trabalho – isto vai diminuir o efeito nocivo do trabalho com instrumentos de vibração elevada.

O pó resultante do processamento dos materiais tais como pinturas com conteúdo de chumbo, certos tipos de madeiras, minerais e metais, pode ser nocivo para a saúde. O contacto directo ou a aspiração do pó pode causar reacções alérgicas e/ou doenças das vias respiratórias do trabalhador ou das pessoas que se encontram perto dele.

Alguns tipos de pó, por exemplo o de carvalho ou de faia consideram-se carcinogénicos, sobretudo em combinação com ingredientes utilizados no processamento da madeira, tais como cromato ou conservantes.

O material que contém amianto tem de ser processado só por especialistas.

- Quando for possível, utilize sistemas para o desvio do pó.
- Para atingir maior grau de captação do pó, ao trabalhar com o instrumento, utilize aspirador de pó.
- Garanta a boa ventilação do local de trabalho.
- Recomenda-se o uso de máscara anti pó com filtro da classe P2.

Cumpra as regras vigentes no Seu país referentes ao processamento dos diferentes materiais.

Indicações gerais de segurança do trabalho com ferramentas eléctricas



ATENÇÃO! Devem ser lidas todas as indicações de advertência e todas as instruções. O desrespeito das advertências e instruções apresentadas abaixo pode causar choque eléctrico, incêndio e/ou graves lesões.

Guarde bem todas as advertências e instruções para futura referência.

O termo "Ferramenta eléctrica" utilizado a seguir nas indicações de advertência, refere-se a ferramentas eléctricas operadas com corrente de rede (com cabo de rede) e a ferramentas eléctricas operadas com bateria (sem cabo de rede).

1) Segurança da área de trabalho

- a) **Mantenha a sua área de trabalho sempre limpa e bem iluminada.** Desordem ou áreas de trabalho insuficientemente iluminadas podem levar a acidentes.
- b) **Não trabalhar com a ferramenta eléctrica em áreas com risco de explosão, nas quais se encontrem líquidos, gases ou pós inflamáveis.** Ferramentas eléctricas produzem faíscas, que podem inflamar pós ou vapores.
- c) **Manter crianças e outras pessoas afastadas da ferramenta eléctrica durante a utilização.** No caso de distração é possível que perca o controlo sobre o aparelho.

2) Segurança eléctrica

- a) **A ficha de conexão da ferramenta eléctrica deve caber na tomada. A ficha não deve ser modificada de maneira alguma. Não utilizar uma ficha de adaptação junto com ferramentas eléctricas protegi-**

das por ligação a terra. Fichas não modificadas e tomadas apropriadas reduzem o risco de um choque eléctrico.

- b) **Evitar que o corpo possa entrar em contacto com superfícies ligadas a terra, como tubos, aquecimentos, fogões e frigoríficos.** Há um risco elevado devido a choque eléctrico, se o corpo estiver ligado a terra.
 - c) **Manter o aparelho afastado de chuva ou humidade.** A infiltração de água numa ferramenta eléctrica aumenta o risco de choque eléctrico.
 - d) **Não deverá utilizar o cabo para outras finalidades. Jamais utilizar o cabo para transportar a ferramenta eléctrica, para pendurá-la, nem para puxar a ficha da tomada. Manter o cabo afastado de calor, óleo, cantos afiados ou partes do aparelho em movimento.** Cabos danificados ou emaranhados aumentam o risco de um choque eléctrico.
 - e) **Se trabalhar com uma ferramenta eléctrica ao ar livre, só deverá utilizar cabos de extensão apropriados para áreas exteriores.** A utilização de um cabo de extensão apropriado para áreas exteriores reduz o risco de um choque eléctrico.
 - f) **Se não for possível evitar o funcionamento da ferramenta eléctrica em áreas húmidas, deverá ser utilizado uma disjuntor de corrente de avaria.** A utilização de um disjuntor de corrente de avaria reduz o risco de um choque eléctrico.
- ### 3) Segurança de pessoas
- a) **Esteja atento, observe o que está a fazer e tenha prudência ao trabalhar com a ferramenta eléctrica. Não utilizar uma ferramenta eléctrica quando estiver fadigado ou sob a influência de drogas, álcool ou medicamentos.** Um momento de descuido ao utilizar a ferramenta eléctrica, pode levar a lesões graves.
 - b) **Utilizar equipamento de protecção pessoal e sempre óculos de protecção. A**

utilização de equipamento de protecção pessoal, como máscara de protecção contra pó, sapatos de segurança antiderrapantes, capacete de segurança ou protecção auricular, de acordo com o tipo e aplicação da ferramenta eléctrica, reduz o risco de lesões.

- c) **Evitar uma colocação em funcionamento involuntária.** Assegure-se de que a ferramenta eléctrica esteja desligada, antes de conectá-la a alimentação de rede e/ou ao acumulador, antes de levantá-la ou de transportá-la. *Se tiver o dedo no interruptor ao transportar a ferramenta eléctrica ou se o aparelho for conectado a alimentação de rede enquanto estiver ligado, poderão ocorrer acidentes.*
- d) **Remover ferramentas de ajuste ou chaves de boca antes de ligar a ferramenta eléctrica.** *Uma ferramenta ou chave que se encontre numa parte do aparelho em movimento pode levar a lesões.*
- e) **Evite uma posição anormal. Mantenha uma posição firme e mantenha sempre o equilíbrio.** *Desta forma é mais fácil controlar a ferramenta eléctrica em situações inesperadas.*
- f) **Usar roupa apropriada.** Não usar roupa larga nem jóias. Mantenha os cabelos, roupas e luvas afastadas de partes em movimento. *Roupas frouxas, cabelos longos ou jóias podem ser agarrados por peças em movimento.*
- g) **Se for possível montar dispositivos de aspiração ou de recolha, assegure-se de que estejam conectados e utilizados correctamente.** *A utilização de uma aspiração de pó pode reduzir o perigo devido ao pó.*

4) Utilização e manuseio cuidadoso de ferramentas eléctricas

- a) **Não sobrecarregue o aparelho.** Utilize a ferramenta eléctrica apropriada para o seu trabalho. *É melhor e mais seguro trabalhar com a ferramenta eléctrica apropriada na área de potência indicada.*
- b) **Não utilizar uma ferramenta eléctrica com um interruptor defeituoso.** *Uma ferramenta eléctrica que não pode mais ser ligada nem desligada, é perigosa e deve ser reparada.*
- c) **Puxar a ficha da tomada e/ou remover o acumulador antes de executar ajustes no aparelho, de substituir acessórios ou de guardar o aparelho.** *Esta medida de segurança evita o arranque involuntário da*

ferramenta eléctrica.

- d) **Guardar ferramentas eléctricas não utilizadas fora do alcance de crianças.** Não permita que pessoas que não estejam familiarizadas com o aparelho ou que não tenham lido estas instruções, utilizem o aparelho. *Ferramentas eléctricas são perigosas se forem utilizadas por pessoas inexperientes.*
 - e) **Tratar a ferramenta eléctrica com cuidado.** Controlar se as partes móveis do aparelho funcionam perfeitamente e não emperram, e se há peças partidas ou danificadas que possam prejudicar o funcionamento da ferramenta eléctrica. **Permitir que peças danificadas sejam reparadas antes da utilização.** *Muitos acidentes têm como causa, a manutenção insuficiente de ferramentas eléctricas.*
 - f) **Mantiver as ferramentas de corte afiadas e limpas.** *Ferramentas de corte cuidadosamente tratadas e com cantos de corte afiados emperam com menos frequência e podem ser conduzidas com maior facilidade.*
 - g) **Utilizar a ferramenta eléctrica, acessórios, ferramentas de aplicação, etc. conforme estas instruções.** Considerar as condições de trabalho e a tarefa a ser executada. *A utilização de ferramentas eléctricas para outras tarefas a não ser as aplicações previstas, pode levar a situações perigosas.*
- #### 5) Serviço

- a) **Só permita que o seu aparelho seja reparado por pessoal especializado e qualificado e só com peças de reposição originais.** *Desta forma é assegurado o funcionamento seguro do aparelho.*

Instruções adicionais para a segurança de trabalho com berbequins



Use meios de protecção do ouvido ao trabalhar com perfuradoras. O barulho intenso durante o trabalho pode causar danos auditivos.

- **Sempre use a manipula adicional fornecida com a ferramenta.** *A perda de controlo pode provocar acidente de trabalho.*



Durante o trabalho use meios de protecção dos olhos contra partículas voantes. Use óculos protectores.



Tome medidas preventivas contra a aspiração de pó. Alguns materiais podem conter elementos tóxicos. Use máscara anti-pó. Use equipamento de remoção do pó, caso seja possível juntá-lo ao instrumento eléctrico.

- **Pegue na ferramenta só pelas superfícies isoladas, quando efectua operação na qual a superfície cortante pode entrar em contacto com instalação eléctrica escondida ou com o cordão próprio.** O contacto da superfície cortante com cabo sob tensão vai deixar as partes metálicas descobertas do instrumento sob tensão e o operário pode sofrer choque eléctrico.
- Não processe materiais que contêm amianto. O amianto considera-se substância carcinogénica.



ADVERTÊNCIA: Antes de ligar a ferramenta à rede alimentadora, verifique se a tensão na rede eléctrica corresponde à que está marcada na placa das características técnicas da ferramenta.

- Fonte de alimentação cuja tensão é maior do que a indicada para a ferramenta, pode causar tanto um grave dano de choque eléctrico no operário, como avaria do instrumento.
- Se tiver quaisquer hesitações, não meta a ficha de tomada da ferramenta na rede de alimentação.
- Fonte de alimentação cuja tensão é menor do que a indicada para a ferramenta, pode causar tanto um grave dano ao motor eléctrico.
- Para evitar eventual sobreaquecimento, sempre desenrole até ao fim o cordão a partir duma extensão com cabo de bateria.
- Quando se precisa usar extensão, convença-se de que a sua secção corresponde a corrente nominal da ferramenta, como também da extensão.



ADVERTÊNCIA: Sempre desligue a ficha da tomada antes de realizar quaisquer consertos, reparações ou manutenção, bem como nos casos de queda da tensão alimentadora.

- Durante o trabalho pegue na máquina bem com as duas mãos e mantenha o corpo em posição estável. A ferramenta maneja-se melhor com as duas mãos.
- Antes de iniciar o trabalho, revise com um explorador de metais apropriado a presença de instalação eléctrica, gasoduto ou aqueduto escondidos. Procure a colaboração dos respectivos serviços competentes. O contacto da broca com instalação eléctrica escondida pode causar choque eléctrico. Uma avaria no gasoduto pode provocar explosão. A perfuração de aqueduto pode causar danos ao imóvel ou trauma de corrente eléctrica.
- Mantenha o cabo alimentador fora do alcance operacional do instrumento.
- Não se admite trabalhar com o cabo alimentador avariado. Se o cabo de alimentação está danificado, não pegue nele e retire a ficha de tomada da rede alimentadora. se o cabo ficar avariado durante o processo de trabalho. Os cabos avariados aumentam o risco de choque eléctrico.
- Mantenha sempre a posição estável do corpo. Ao trabalhar a uma determinada altura verifique se não fica ninguém debaixo
- Fixe a peça processada com um grampo ou outro modo adequado.
- Esteja alerta do momento de inércia na altura do arranco da ferramenta ou de travamento da broca. Sempre desligue o instrumento, se a broca ficar travada. Esteja alerta do momento reactivo elevado que pode causar ricochete.
- A broca ficará bloqueada se sobrecarregar o instrumento ou a broca ficar travada no instrumento processado.
- Não pegue na broca ou na peça processada imediatamente depois do trabalho – eles podem ter ficado muito quentes e podem causar-lhe queimaduras na pele.
- Mantenha limpo o posto de trabalho. A mistura de pó de diferentes materiais é sumamente perigosa. O pó de metais ligeiros pode incendiar-se ou explodir.
- Nunca deixe na zona operacional estopas, cordões, farrapos, etc.
- Sempre desligue a ferramenta antes de deixá-lo de lado.
- O instrumento eléctrico tem de se usar só para o que for destinado. Qualquer outro uso diferente do que está descrito nesta instrução considerar-se-á uso incorrecto. A responsabilidade de qualquer avaria ou ferimento que decorrem do uso incorrecto será assumida pelo consumidor e não pelo fabricante.

- Para explorar correctamente esta ferramenta, tem de observar as regras de segurança, as instruções gerais e as indicações para o trabalho aqui assinaladas. Todos os consumidores têm de conhecer esta instrução e estar informados sobre os riscos potenciais ao trabalhar com a ferramenta. Crianças e pessoas de físico fraco não têm de trabalhar com a ferramenta. As crianças têm de encontrar-se sob vigilância permanente, caso se encontrarem perto do lugar onde se trabalha com a ferramenta. É preciso serem tomadas obrigatoriamente medidas preventivas de segurança. O mesmo refere-se à observância das regras principais de saúde profissional e segurança técnica.
- O fabricante não assume a responsabilidade pelas alterações feitas na ferramenta pelo consumidor, nem pelas avarias que decorrem dessas alterações.
- A ferramenta não tem de ser usada ao ar livre em tempo de chuva, em ambiente húmido (depois de chuva) ou perto de líquidos e gases facilmente inflamáveis. O local de trabalho tem de ficar bem iluminado.

Conhecimento da ferramenta

Antes de começar a trabalhar com a ferramenta eléctrica, conheça todas as suas especificidades operacionais e as condições de segurança.

Use o instrumento e os seus acessórios só para o que forem destinados. Qualquer outra aplicação é terminantemente proibida.

1. Parafuso de segurança (BUR150E, BUR150CET)
2. Mandril
3. Lugar de fixação do fuso
4. Pescoço da ferramenta
5. Comutador dos regimes de trabalho
6. Aberturas de ventilação
7. Linha limitadora
8. Manipula complementar
9. Alavanca de mudança do sentido da rotação (BUR 150E, BUR 150CET)
10. Regulador electrónico das rotações (BUR 150E, BUR 150CET)
11. Interruptor
12. Botão de travamento do interruptor.
13. Regulador do torque (BUR 150CET)
14. LED verde
15. LED vermelho

Instruções para o trabalho

Este modelo de ferramenta eléctrica alimenta-se unicamente por tensão alternada monofásica. Pode-se juntar a tomadas sem clips de segurança, pois tem duplo isolamento conforme EN 60745-1 e IEC 60745. As radio-perturbações correspondem à Directriz sobre a compatibilidade electromagnética.

Esta ferramenta eléctrica destina-se à perfuração de aberturas em aço, madeira, plástico, etc.

Esta ferramenta destina-se à perfuração de aberturas em aço, madeira, plásticos, etc.

O regime de percussão rotativa previsto permite a perfuração de aberturas em concreto, pedra, alvenaria e outros materiais frágeis.

O comando electrónico CET inserido com regulador do torque permite usar a ferramenta para aparafusamento de parafusos.

ANTES DE COMEÇAR O TRABALHO

- Verifique se a tensão da rede eléctrica corresponde à que está indicada sobre a chapa com os dados técnicos do instrumento eléctrico.;
- Verifique em que posição se encontra o interruptor. O instrumento tem de se ligar e desligar da rede só com o interruptor nulificado. Se meter o plug na rede enquanto o interruptor estiver em posição de accionado, o instrumento accionar-se-á imediatamente, o qual é premissa para um acidente..
- Assegure-se da perfeição do cabo de alimentação e do pino de tomada. Se o cabo de alimentação está danificado, a sua substituição tem de se fazer pelo produtor ou por especialista de serviço autorizado por ele para evitar os perigos decorrentes dessa operação



ADVERTÊNCIA: Desligue a ficha da tomada antes de realizar quaisquer consertos, reparações ou manutenção, bem como nos casos de queda da tensão alimentadora.

- Se a zona de trabalho estiver afastada da fonte de alimentação, use extensor quanto mais curto possível de secção adequada.
- Verifique se a manipula complementar está correctamente colocada e bem apertada.



ADVERTÊNCIA: Antes de iniciar o trabalho revise sempre o sentido da rotação. Use a alavanca de mudança do sentido de rotação só depois de o fuso ter deixado de girar definitivamente. A mudança do sentido de rotação antes da paragem definitiva do fuso pode avariar a ferramenta eléctrica.

ARRANCO - PARAGEM

Accionamento de pouca duração:

- Arranco: Interruptor (11) aperta-se. Fica aceso o LED 14 (BUR 150CET)
- Paragem: Interruptor (11) afrouxa-se.

Trabalho prolongado:

- Arranco: Interruptor (11) aperta-se e sendo apertado trava-se com o botão (12)
- Paragem: Interruptor (11) aperta-se só uma vez e afrouxa-se imediatamente.

CONTROLO DA VELOCIDADE INFINITAMENTE VARIÁVEL (BUR 150E)

O apertar leve do interruptor (11) provoca o accionamento do berbequim a baixa velocidade. As rotações aumentam paulatinamente até ao máximo, aumentando a pressão sobre o interruptor até chegar à posição final.

ESCOLHA DAS ROTAÇÕES (BUR 150E, BUR 150CET)

As rotações necessárias escolhem-se previamente girando o regulador electrónico (10) no sentido horário ou viceversa.

MUDANÇA DO SENTIDO DA ROTAÇÃO

A posição extrema direita da alavanca (9) significa rotação no sentido horário, ao passo que a extrema esquerda significa o sentido contrário. Ao pressionar o interruptor (11), a alavanca (9) não pode accionar-se. A mudança do sentido de rotação faz-se somente quando o berbequim está em repouso.

CONCERTO DO TORQUE (BUR 150CET)

O torque escolhe-se com o regulador do torque 13:

- I – torque mínimo desactivado;
- III – torque máximo desactivador

Em regime normal de perfuração escolhe-se o torque máximo. Não se recomenda trabalhar

um tempo prolongado com rotações baixas e torque elevado.

INDICAÇÃO LED (BUR 150CET)

LED verde 14 – desempenha o papel de indicador do sentido de rotação do fuso da ferramenta:

- luz constante: A ferramenta está conectada na rede, foi escolhido o sentido à direita de rotação do eixo.

- luz intermitente: A ferramenta está conectada na rede, foi escolhido o sentido à esquerda de rotação..

LED vermelho 15 - desempenha o papel de indicador da activação do torque:

- luz constante –A ferramenta está ligada à rede. Fica accionado o dispositivo de controlo do torque.

- luz intermitente – A ferramenta está conectada na rede, mas a tensão alimentadora tem sido interrompida.

Para ser restabelecido o funcionamento normal é necessário desconectar a ferramenta e depois conectá-la de novo pelo interruptor de arranco.

MUDANÇA DOS REGIMES DE TRABALHO

- perfuração de aberturas em metal, madeira, etc.

O comutador (5) encontra-se na posição extrema direita e vê-se o símbolo “broca”.

- perfuração de aberturas em concreto, pedra, etc.

O comutador (5) encontra-se na posição extrema esquerda e vê-se o símbolo “martelo”.

A comutação dos regimes operacionais pode-se fazer mesmo com a ferramenta a trabalhar.

COLOCAÇÃO E APERTO DA BROCA

Em ferramentas com mandril com chave:

Dobrando a coroa do mandril (2) no sentido horário ou inverso, os mordentes deslocam-se até à posição que permite a cauda da broca entrar entre eles.

Dobrando a coroa do mandril (2) no sentido horário, os mordentes apertam a cauda da broca. Com a chave especial a broca afixa-se definitivamente no mandril e vai sendo regularmente apertada nas três aberturas.

Em ferramentas com mandril de rápida configuração:

Retém-se a coroa traseira do mandril 2 e dobra-se a coroa da frente até o mandril ficar suficientemente aberto para ser colocada a broca. De-

pois aperta-se manualmente a coroa da frente até ouvir o som distintivo.

DESMONTAGEM DO MANDRIL

Em berbequins de mandril com chave :

Os mordentes do mandril 2 abrem-se até ao fim. Com a ajuda duma chave de fenda desparafusa-se o parafuso assegurador 1 de rosca esquerda. O lugar de afixação do fuso 3 sujeita-se com chave inglesa. A chave especial de apertar o mandril coloca-se numa das três aberturas sendo dobrada no sentido anti-horário. Usando a chave como alavanca, desenrola-se o mandril 2 do fuso da ferramenta.

Em berbequins com mandril de rápido aperto:

Retém-se a coroa traseira do mandril 2 e dobra-se a coroa da frente até o mandril ficar suficientemente aberto. Com a ajuda duma chave de fenda desparafusa-se o parafuso assegurador de rosca esquerda. No mandril coloca-se um bico hexaedro ou o dispositivo de aparafusamento de parafusos e aperta-se. O lugar de afixação do fuso 3 sujeita-se com uma chave inglesa e o mandril gira no sentido anti-horário mediante o extremo livre do bico.

DESAPARAFUSAMENTO E APARAFUSAMENTO DE PARAFUSOS, PORCAS E PARAFUSOS COM PORCAS (BUR150E, BUR 150CET)

O mandril 2 desmonta-se do modo descrito acima e o respectivo dispositivo para aparafusamento e desparafusamento de parafusos, porcas e parafusos com porcas monta-se directamente no eixo. O comutador 5 dos regimes operacionais coloca-se na posição extrema direita de modo que se veja completamente o símbolo "broca". Com a alavanca 9 de mudança do sentido da rotação escolhe-se a operação de aparafusamento ou desparafusamento. As operações realizam-se só a baixas rotações.



ADVERTÊNCIA: Ao aparafusar parafusos de grande comprimento existe o perigo de a perfuradora deslizar-se.

CONSELHOS PARA O APARAFUSAMENTO DE PARAFUSOS

- Usar bicos de aparafusamento de forma e dimensões adequadas;;
- Em madeira macia os parafusos adequados

podem ser aparafusados sem prévia perfuração;

- Em madeira dura perfura-se primeiro abertura para os parafusos de diâmetro maior;
- No caso de parafusos de cabeça embutida a abertura escarea-se.
- No caso de parafusos para madeira de rosca intransitável perfura-se previamente por volta da metade do comprimento do parafuso.

MANÍPULA COMPLEMENTAR

A manípula complementar (8) aperta-se ao pescoço (4) do berbequim. Mediante a linha limitadora (7) pode-se fixar a profundidade das aberturas perfuradas.

RECOMENDAÇÕES PARA O TRABALHO COM O BERBEQUIM

Aplique uma pressão moderada ao perfurar concreto (aproximadamente 80-100 N). A pressão maior não aumenta a produtividade do trabalho de perfuração, mas sim diminui a longevidade da ferramenta. Ao trabalhar com ferramentas de regulador electrónico, perfure a rotações mais baixas das máximas e escolha-se a velocidade de acordo com o material.

Use brocas com placa de liga e de cáuda cilíndrica. De vez em quando retire a cauda de abertura para eliminar a poeira.

Observe o grau de embotamento da broca e substitua-o quando a produtividade tiver diminuído sensivelmente.

Ao abrir em metal, madeira ou plástico uma abertura de grande diâmetro, abra primeiro uma abertura com broca de diâmetro menor.

O alcance óptimo de perfuração em concreto é até 10 mm, ao passo que o máximo possível é até 15 mm.

ACESSÓRIOS QUE PODEM SER UTILIZADOS COM ESTA FERRAMENTA ELÉCTRICA

- Brocas para metal com diâmetro de Ø3 mm a Ø13 mm
- Brocas para madeira com diâmetro de Ø3 mm a Ø25 mm
- Brocas para concreto SDS+ com diâmetro de Ø3mm a Ø15mm
- Bocais de conexão de hexaedro 6.35 mm (1/4") para aparafusamento de parafusos com porca

Manutenção



ADVERTÊNCIA: Sempre desconecte a ferramenta eléctrica e retire a ficha da rede de contacto antes de realizar qualquer revisão ou manutenção.

SUBSTITUIÇÃO DAS ESCOVAS

A ferramenta está provida de escovas auto-stop. Quando as escovas ficarem gastas, têm de ser substituídas ambas ao mesmo tempo por escovas originais na oficina da SPARKY de assistência no prazo de garantia e fora dele.

REVISÃO GERAL

Revise regularmente todos os elementos de suporte e convença-se de que estão bem apertados. Caso algum parafuso se tenha afrouxado, aparafuse-o imediatamente para evitar situações de risco.

Caso o cabo alimentador tenha ficado avariado, a substituição tem de se fazer pelo fabricante ou pelo seu especialista na oficina de assistência autorizada, para assim evitar os perigos decorrentes da substituição.

LIMPEZA

Em vista da segurança do trabalho, mantenha sempre limpas a máquina e as aberturas de ventilação.

Revise regularmente se na grade de ventilação perto do motor eléctrico ou ao redor dos computadores não tenham penetrado pó ou outros corpos alheios. Use uma escova macia para limpar o pó acumulado. Para proteger os olhos, durante a limpeza use óculos protectores.

Caso o corpo da ferramenta precise de limpeza, use um pano macio úmido. Pode usar qualquer detergente fraco.



ADVERTÊNCIA: Não se admite o uso de álcool, gasolina ou outros solventes. Nunca use produtos corrosivos para limpar as partes de plástico.



ADVERTÊNCIA: Não se admite a penetração de água em contacto com a ferramenta.

ATENÇÃO! Para garantir o trabalho seguro com a ferramenta e sua maior confiança, todas as actividades de reparação, manutenção e regulação (incluindo a revisão e substituição das escovas) têm de se fazer nas oficinas autorizadas da SPARKY, utilizando só peças de sobresselente originais.

Garantia

O prazo de garantia dos instrumentos eléctricos SPARKY está indicado no cartão de garantia. Problemas surgidos em resultado do desgaste natural, sobrecarga ou utilização incorrecta, ficam excluídos dos deveres da garantia. Os problemas surgidos devido ao uso de materiais de baixa qualidade e/ou erros de fabricação, eliminam-se sem pagamento adicional mediante substituição ou reparação.

Reclamação por um instrumento eléctrico SPARKY defeituoso reconhece-se quando o instrumento for devolvido ao distribuidor ou for levado a uma oficina autorizada de assistência em prazo de garantia no seu estado inicial (montado).

Observações

Leia atentamente toda a instrução para o uso, antes de começar a trabalhar com este aparelho. O fabricante reserva-se o direito de introduzir melhoras e modificações nos seus aparelhos, bem como modificar as especificações sem aviso.

As especificações podem variar de país para país.

Spis treści

Wstęp	62
Dane techniczne	64
Ogólne zasady bezpiecznego użytkowania elektronarzędzi	65
Zasady bezpiecznego użytkowania wiertarek udarowych	66
Opis narzędzia	A/68
Działanie	68
Konserwacja	71
Gwarancja	71

ROZPAKOWYWANIE

Ze względu na nowoczesne metody produkcji masowej, istnieje niewielkie prawdopodobieństwo, iż zakupione przez Państwa narzędzie jest wadliwe, bądź niekompletne. W przypadku stwierdzenia jakichkolwiek nieprawidłowości, nie uruchamiać narzędzia do chwili wymiany części lub usunięcia usterki. Niezastosowanie się do tego zalecenia może skutkować poważnym uszkodzeniem ciała.

MONTAŻ

Wiertarka, zapakowana w walizce, jest w postaci całkowicie zmontowanej.

Wiertarka, zapakowana w kartonie, jest zmontowana z wyjątkiem rękojeści pomocniczej.

Wstęp

Zakupione przez Państwa elektronarzędzie marki SPARKY spełni nawet najbardziej wygórowane oczekiwania użytkownika. Zostało ono wyprodukowane z zachowaniem rygorystycznych norm jakościowych SPARKY, aby zagwarantować doskonałe parametry pracy. Przekonają się Państwo, że Wasze nowe narzędzie jest łatwe i bezpieczne w obsłudze i, przy zachowaniu odpowiednich zasad użytkowania, będzie Wam niezawodnie służyć przez wiele lat.

UWAGA!



Prosimy o dokładne zapoznanie się z niniejszą instrukcją obsługi przed użyciem urządzenia SPARKY, zwracając szczególną uwagę na ostrzeżenia i uwagi. Dzięki swoim cechom, urządzenie SPARKY zapewnią szybką i łatwą pracę. Bezpieczeństwo, niezawodność i wydajność były priorytetami przy konstruowaniu tego urządzenia aby zapewnić łatwość obsługi oraz utrzymania.



Nie wyrzucać produktów elektrycznych razem z odpadami z gospodarstw domowych! Zużyte artykuły elektryczne nie powinny być wyrzucane wraz z odpadami z gospodarstw domowych. Należy je utylizować w przeznaczonych do tego miejscach. Informacji na temat utylizacji udzielają władze lokalne bądź sprzedawcy.

OCHRONA ŚRODOWISKA



Utylizując urządzenie, osprzęt i opakowanie należy poddać poszczególne elementy sortowaniu z myślą o ochronie środowiska naturalnego. Elementy plastikowe zostały odpowiednio oznaczone, aby umożliwić utylizację wg odpowiedniej klasyfikacji odpadów.

OPIS SYMBOLI

Na tabliczce znamionowej narzędzia mogą znajdować się symbole oznaczające ważne informacje o produkcie lub instrukcji jego użytkowania.



Podwójna izolacja zapewniająca dodatkową ochronę.



Zgodny z odpowiednimi dyrektywami europejskimi.



Spełnia wymagania przepisów Unii Celnej.



Zgodność z wymogami ukraińskich dokumentów normatywnych.




Patrz oryginalna instrukcja obsługi.

YYYY-Www Okres produkcji, w którym zmiennymi symbolami są:
YYYY - roku produkcji,
ww - tydzień kalendarzowy.

BU, BUR Wiertarka udarowa.

Dane techniczne

Model	BU 150	BUR 150E	BUR 150CET
Moc	650 W	600 W	600 W
Obroty bez obciążenia	2800 min ⁻¹	0-2800 min ⁻¹	500-2500 min ⁻¹
Regulacja obrotów	nie	tak	tak
Regulacja momentu obrotowego	nie	nie	tak
Odwracanie kierunku obrotów	nie	tak	tak
Zakres uchwytu	1,5-13 mm	1,5-13 mm	1,5-13 mm
Zakres wiercenia w:			
stali	13 mm	13 mm	13 mm
drewnie	25 mm	25 mm	25 mm
betonie	15 mm	15 mm	15 mm
Waga (Procedura EPTA 01/2014)	2,0 kg	2,0 kg	2,0 kg
Klasa ochrony (EN 60745-1) 	II	II	II

INFORMACJA NA TEMAT HAŁASU I DRGAŃ

Wartości mierzone określono według EN 60745

Emisja hałasu

Skoryg. charakteryst. częst. A poziom

ciśn. akust. na stanowisku L_{pA} 96,0 dB (A) 96,0 dB (A) 96,0 dB (A)

Niepewność pomiaru K_{pA} 3,0 dB (A) 3,0 dB (A) 3,0 dB (A)

Skoryg. charakteryst. częst. A poziom

ciśn. akust. na stanowisku L_{wA} 107,0 dB (A) 107,0 dB (A) 107,0 dB (A)

Niepewność pomiaru K_{wA} 3,0 dB (A) 3,0 dB (A) 3,0 dB (A)

Stosować środki ochrony słuchu!

Emisja drgań *

Wartość sumy drgań (sumy wektorowej trzech składowych kierunkowych) wyznaczono według EN 60745:

Wiercenie udarowe w betonie

Wartość emisji drgań a_{h, ID} 23,0 m/s² 23,0 m/s² 23,0 m/s²

Niepewność pomiaru K_{ID} 1,5 m/s² 1,5 m/s² 1,5 m/s²

Wiercenie w metalu

Wartość emisji drgań a_{h, D} 6,0 m/s² 6,0 m/s² 6,0 m/s²

Niepewność pomiaru K_D 1,5 m/s² 1,5 m/s² 1,5 m/s²

Wkręcanie/wykręcanie śrub

Wartość emisji drgań a_h <2,5 m/s²

Niepewność pomiaru K 1,5 m/s² 1,5 m/s² 1,5 m/s²

* Wartości emisji drgań określono według 6.2.7 EN 60745.

Poziom emisji drgań podany powyżej został wyznaczony zgodnie ze standaryzowanym testem zawartym w normie EN 60745 i może posłużyć do porównywania różnych narzędzi. Można go zastosować do wstępnej oceny ekspozycji.

Deklarowany poziom emisji drgań odpowiada głównemu zastosowaniu narzędzia. Jednak w przypadku wykorzystywania narzędzia do różnych zastosowań, przy użyciu różnych elementów przyrządowania bądź niewłaściwie utrzymywanego, poziom emisji drgań może ulec zmianie. Może to znacznie zwiększyć łączny poziom ekspozycji w trakcie całego okresu eksploatacji.

Szacując poziom wystawienia na drgania, powinno się także brać pod uwagę okresy, kiedy narzędzie jest wyłączone lub działa, lecz praca z jego użyciem nie jest faktycznie wykonywana. Może to znacząco obniżyć łączny poziom ekspozycji w trakcie całego okresu eksploatacji.

Aby ograniczyć szkodliwy wpływ drgań, należy zapewnić właściwą obsługę elektronarzędzia i jego przyrządowania, a także utrzymywać odpowiednią ciepłotę dłoni.

Pył pochodzący z takich materiałów jak farba zawierająca ołów, niektóre gatunki drewna, tworzywa mineralne i metale, może być szkodliwy. Kontakt z takim pyłem lub jego wdychanie może wywoływać reakcje alergiczne i/lub choroby układu oddechowego u operatora urządzenia lub osób postronnych.

Niektóre rodzaje pyłu klasyfikowane są jako rakotwórcze, jak na przykład pył drewna dębowego i bukowego, szczególnie w połączeniu ze środkami do impregnacji i konserwacji drewna (chromiany, środki ochrony drewna). Obróbka materiałów zawierających azbest dozwolona jest wyłącznie przez osoby specjalnie w tym celu przeszkolone.

- Zaleca się stosowanie urządzeń odpylających wszędzie tam, gdzie jest to możliwe.
- Miejsce pracy winno być dobrze wentylowane.
- Zaleca się korzystanie z maski przeciwpyłowej z filtrem klasy P2.

Należy przestrzegać krajowych przepisów odnoszących się do materiałów, z którymi zamierza się pracować.

Ogólne zasady bezpiecznego użytkowania elektronarzędzi



UWAGA! Należy zapoznać się z niniejszą ogólną instrukcją bezpieczeństwa oraz całą instrukcją obsługi. Nie przestrzeganie niniejszych instrukcji może spowodować porażenie prądem, pożar i/lub poważne obrażenia.

Zachować niniejsze instrukcje na przyszłość.

Określenie „elektronarzędzie” odnosi się zarówno do urządzeń zasilanych z sieci (przewodowych) jak i zasilanych bateriami (bezprowadowych).

1) Bezpieczeństwo w miejscu pracy

- a) Miejsce pracy musi być zawsze dobrze oświetlone i czyste. Niedoświetlenie oraz nieład mogą być przyczyną wypadków.
- b) Nie należy używać urządzenia w obecności palnych płynów, gazów i pyłów. Podczas pracy urządzenia powstają iskry, które mogą zapalić pyły lub opary.
- c) Dzieci i osoby postronne nie powinny znajdować się w miejscu pracy elektronarzędziami. Brak skupienia może spowodować utratę kontroli nad urządzeniem.

2) Bezpieczeństwo elektryczne

- a) Wtyczka urządzenia musi pasować do gniazda zasilającego. Nie wolno modyfikować wtyczki w jakikolwiek sposób. Nie stosować żadnych adapterów w przypadku elektronarzędzi wymaga-

jących uziemienia. Nie modyfikowane wtyczki oraz gniazda zasilające redukują ryzyko porażenia prądem.

- b) Unikać kontaktu z uziemionymi przedmiotami takimi jak, rury, grzejniki, piece i lodówki. Ryzyko porażenia prądem wzrasta gdy ciało użytkownika zostanie uziemione.
 - c) Nie narażać urządzenia na kontakt z deszczem lub wilgocią. Woda wnika do urządzenia zwiększa ryzyko porażenia prądem.
 - d) Traktować przewód zasilający zgodnie z przeznaczeniem. Nigdy nie stosować przewodu do przenoszenia, przeciągania lub odłączania urządzenia od zasilania. Chronić przewód przed źródłem ciepła, olejami, przedmiotami o ostrych brzegach, ruchomymi częściami urządzeń. Uszkodzony lub splątany przewód zwiększa ryzyko porażenia prądem.
 - e) Podczas pracy na zewnątrz należy zawsze stosować odpowiedni przewód przedłużający przystosowany do pracy na zewnątrz. Stosowanie przewodu przeznaczonego do pracy na zewnątrz zmniejsza ryzyko porażenia prądem.
 - f) Jeżeli nie ma możliwości uniknięcia pracy elektronarzędziem w wilgotnym środowisku, należy stosować zasilanie wyposażone w wyłącznik różnicowoprądowy. Stosowanie wyłącznika różnicowoprądowego redukuje ryzyko porażenia prądem.
- ### 3) Bezpieczeństwo osobiste
- a) Zawsze należy pracować w należyłym skupieniu i kierować się rozsądkiem. Nie używać urządzenia będąc zmęczonym lub pozostając pod wpływem narkotyków, alkoholu lub będąc w trakcie leczenia. Chwila nieuwagi podczas pracy

urządzeniem może być przyczyną poważnych uszkodzeń ciała.

- b) **Stosować wyposażenie ochronne. Zawsze używać ochrony oczu.** Wyposażenie takie jak maska p.pyłowa, buty na podszewie antypoślizgowej, kask, ochronniki słuchu, stosowane w odpowiednich warunkach, redukuje zagrożenie uszkodzenia ciała.
 - c) **Unikać przypadkowego włączenia urządzenia.** Upewnić się, że włącznik znajduje się w położeniu „wyłączony” przed podłączeniem urządzenia do źródła zasilania lub baterii. Przenoszenie urządzenia trzymając za włącznik lub podłączając je do zasilania z włącznikiem w pozycji: „włączone” może być przyczyną wypadków.
 - d) **Usunąć wszelkie klucze przed włączeniem urządzenia.** Pozostawienie klucza w rotującej części urządzenia może spowodować obrażenia ciała.
 - e) **Nie przeceniać własnych możliwości.** Zawsze dbać o odpowiednie oparcie dla nóg oraz balans. Zapewni to lepszą kontrolę w nieoczekiwanych sytuacjach.
 - f) **Stosować odpowiednie ubranie.** Nie nosić luźnych ubrań ani biżuterii. Nie zbliżać włosów, ubrania ani rękawic roboczych do ruchomych części urządzenia. Luźne ubranie, biżuteria lub długie włosy mogą utknąć w ruchomych częściach urządzenia.
 - g) **Jeśli urządzenie jest wyposażone w adapter odprowadzania pyłów, należy sprawdzić czy jest odpowiednio podłączony i używany.** Stosowanie systemu odprowadzania pyłów może obniżyć niebezpieczeństwa związane z pyleniem.
- 4) Używanie i konserwacja urządzenia**
- a) **Nie przeciążać urządzenia.** Stosować odpowiednie urządzenie do każdej pracy. Należy używać dobrane urządzenie wykona pracę lepiej i bezpiecznie w trybie do jakiego zostało zaprojektowane
 - b) **Nie używać urządzenia jeśli włącznik nie działa.** Każde urządzenie z uszkodzonym włącznikiem jest niebezpieczne i musi zostać naprawione.
 - c) **Zawsze należy odłączyć urządzenie od zasilania lub odłączyć baterie przed zmianą ustawień, wymianą akcesoriów lub odłożeniem po pracy.** Takie działanie zmniejsza ryzyko przypadkowego włączenia urządzenia.
 - d) **Nieużywane urządzenie należy chronić przed dziećmi oraz nie zezwalać nie-**

powołanym osobom nie znającym tego urządzenia lub niniejszej instrukcji na pracę tym urządzeniem. Elektronarzędzia są niebezpieczne w rękach nie przeszkolonych osób.

- e) **Konserwować elektronarzędzia.** Sprawdzić połączenia części ruchomych, ewentualne uszkodzenia oraz inne czynniki mogące mieć wpływ na działanie urządzenia. W przypadku stwierdzenia uszkodzenia należy naprawić urządzenie przed dalszym użytkowaniem. Wiele wypadków spowodowanych jest nienależytą konserwacją urządzenia.
 - f) **Narzędzia tnące zawsze muszą być ostre.** Odpowiednio konserwowane narzędzia tnące z ostrymi krawędziami rzadziej się zacinają w obrabianym materiale i są łatwiejsze w obsłudze.
 - g) **Niniejsze urządzenie oraz osprzęt do niego muszą być używane zgodnie z niniejszą instrukcją obsługi oraz w zakresie przewidzianym dla danego typu urządzenia.** Zawsze należy brać pod uwagę rodzaj pracy do wykonania oraz warunki panujące w miejscu pracy. Użycie elektronarzędzi do celów innych niż opisane w niniejszej instrukcji obsługi może spowodować niebezpieczne sytuacje.
- 5) Serwis**
- a) **Niniejsze urządzenie należy serwisować wyłącznie w wykwalifikowanych serwisach z wykorzystaniem oryginalnych części zamiennych.** Takie postępowanie zapewni należyte bezpieczeństwo elektronarzędzia.

Zasady bezpiecznego użytkowania wiertarek udarowych



- **Używając wiertarki udarowej nosić nasuszki ochronne.** Wystawienie na działanie hałasu może skutkować utratą słuchu.
- **Używać rękocieczki pomocniczej stanowiącej element wyposażenia urządzenia.** Utrata kontroli nad narzędziem może skutkować obrażeniami ciała.



Podczas eksploatacji zapewnić ochronę oczu, aby zapobiec wystawianiu oczu na latające cząstki urobku. Nosić okulary ochronne.



Przedsięwziąć środki ostrożności zapobiegające wdychaniu pyłu. Niektóre materiały mogą zawierać składniki toksyczne. Nosić maskę przeciwpyłową i o ile istnieje możliwość podłączenia stosować urządzenie odpylające.

- **Trzymać elektronarzędzie wyłącznie za izolowane powierzchnie przeznaczone do trzymania podczas pracy gdy akcesoria tnące mogą zetknąć się z ukrytym okablowaniem lub własnym przewodem urządzenia. Akcesoria tnące stykające się z przewodem pod napięciem mogą spowodować, że odkryte metalowe części elektronarzędzia znajdują się pod napięciem i mogłyby porazić prądem osobę obsługującą elektronarzędzie.**
- Nie należy poddawać obróbce materiały zawierające azbest. Azbest jest uważany za materiał rakotwórczy.



OSTRZEŻENIE: Przed podłączeniem elektronarzędzia do źródła zasilania upewnić się, że jego napięcie odpowiada wartości określonej na tabliczce znamionowej narzędzia.

- Źródło zasilania o napięciu przekraczającym wartość uwidocznioną na narzędziu może spowodować poważne obrażenia użytkownika, jak również uszkodzenie narzędzia.
- W przypadku wątpliwości, nie podłączać narzędzia do źródła zasilania.
- Źródła zasilania o napięciu niższym niż wartość określona na tabliczce znamionowej jest szkodliwe dla silnika urządzenia.
- Należy całkowicie rozwinąć kabel na bębnie, aby uniknąć potencjalnego przegrzania przewodu zasilającego.
- W przypadku konieczności zastosowania przedłużacza, należy upewnić się, że przewód posiada odpowiednią dla używanego elektronarzędzia wartość znamionową natężenia prądu i jego stan gwarantuje bezpieczeństwo elektryczne.



OSTRZEŻENIE: Przed dokonywaniem jakichkolwiek regulacji czy czynności serwisowych lub konserwacyjnych, należy zawsze wyłączyć elektronarzędzie i odłączyć je od źródła zasilania.

- Podczas obsługiwanego urządzenia należy zawsze trzymać je mocno obiema dłońmi i dbać o zachowanie stabilnej pozycji ciała. Elektronarzędzie bezpieczniejszą się prowadzi obiema rękami.
- Przed przystąpieniem do pracy użyć odpowiednich przyrządów w celu określenia, czy w miejscu pracy nie znajdują się ukryte przewody zasilające, lub też zwrócić się do dostawcy mediów o pomoc w tym zakresie. Kontakt z linią elektryczną może prowadzić do powstania pożaru i porażenia prądem. Uszkodzenie instalacji gazowe grozi wybuchem. Przebiecie instalacji wodno-kanalizacyjnej powoduje powstanie szkód w mieniu lub może skutkować porażeniem prądem.
- Zawsze trzymać kabel zasilający z dala od miejsca pracy elektronarzędzia.
- Nigdy nie korzystać z elektronarzędzia, którego przewód zasilający jest uszkodzony. Nie dotykać uszkodzonego przewodu, lecz natychmiast odłączyć urządzenie od źródła zasilania. Uszkodzone przewody stwarzają ryzyko porażenia prądem.
- Zawsze upewnić się, że posiadamy odpowiednie oparcie dla stóp. Upewnić się, że nikt nie znajduje się pod nami kiedy korzystamy z narzędzia na wysokości.
- Używać zacisków lub imadeł do mocowania obrabianego materiału kiedy jest to możliwe.
- Uważać na reakcję urządzenia związaną z początkowym momentem obrotowym lub po zakleszczeniu się wiertła. Natychmiast wyłączyć elektronarzędzie w przypadku zakleszczeniu się wiertła. Uważać na mocną reakcję momentu obrotowego, która może skutkować odbiciem. Wiertło zablokuje się, jeśli elektronarzędzie jest przeciążone lub wiertła zakleszczą się w materiale.
- Nie dotykać wiertła lub elementu poddawanego obróbce podczas pracy i bezpośrednio po niej; mogą one być bardzo gorące. Można nabawić się poważnych poparzeń.
- Utrzymywać miejsce pracy w czystości. Szczególnie niebezpieczne są mieszanki materiałów. Pył z lekkich stopów może zapalić się lub wybuchnąć..
- Nigdy nie należy pozostawiać w miejscu pra-

- cy szmat, przewodów, sznurków i temu podobnych.
- Zawsze wyłączać elektronarzędzie zanim zostanie odłożone.
 - Narzędzie wino być eksploatowane wyłącznie zgodnie z jego przeznaczeniem. Jakikolwiek użytkowanie wykraczające poza zastosowanie opisane w niniejszej Instrukcji będzie uważane za przypadek niewłaściwego użycia. Odpowiedzialność za takie niewłaściwe użycie spada na użytkownika a nie na producenta.
 - Aby właściwie eksploatować narzędzie należy przestrzegać zasad bezpieczeństwa i higieny pracy, instrukcji montażu i obsługi zawartych w niniejszym dokumencie. Wszystkie osoby użytkujące i serwisujące urządzenie muszą zapoznać się z niniejszą Instrukcją obsługi i mieć świadomość potencjalnych zagrożeń. Dzieciom i osobom o niewielkiej sile fizycznej nie wolno używać tego narzędzia. Należy zapewnić stały nadzór nad dziećmi przebywającymi w pobliżu miejsca, gdzie narzędzie jest używane. Istnieje także obowiązek przestrzegania obowiązujących lokalnych przepisów w zakresie zapobiegania wypadkom. To samo odnosi się do ogólnych zasad bezpieczeństwa i higieny pracy.
 - Producent nie ponosi odpowiedzialności za jakiegokolwiek modyfikacje narzędzia, ani za jakiegokolwiek szkody powstałe w wyniku takich modyfikacji.
 - Elektronarzędzi nie wolno używać poza pomieszczeniem w warunkach padającego deszczu bądź wilgotnym otoczeniu (po deszczu), lub też w pobliżu palnych cieczy i gazów. Miejsce pracy powinno być dobrze oświetlone.

Opis narzędzia

Przed użyciem elektronarzędzia zapoznać się z funkcjami z zasadami bezpieczeństwa.

Korzystać z elektronarzędzia i oprzyrządowania wyłącznie w zakresie zastosowań dla niego przeznaczonym. Wszystkie inne zastosowania są wyraźnie wykluczone.

1. Śruba zabezpieczająca (BUR 150E, BUR 150CET)
2. Uchwyt
3. Miejsce do blokady wrzeciona
4. Uchwyt ślizgowy
5. Przełącznik wyboru trybu pracy
6. Otwory wentylacyjne

7. Wskaźnik głębokości
8. Rękojeść pomocnicza
9. Przełącznik kierunku obrotów (BUR 150E, BUR 150CET)
10. Elektroniczny regulator prędkości obrotowej (BUR 150E, BUR 150CET)
11. Wyłącznik
12. Przycisk blokady pracy
13. Regulator momentu obrotowego (BUR 150CET)
14. Zielona dioda (BUR 150CET)
15. Czerwona dioda (BUR 150CET)

Działanie

Niniejsze elektronarzędzie jest zasilane wyłącznie z sieci dostarczającej prąd zmienny jednofazowy. Jest podwójnie izolowane zgodnie z normami to EN 60745-1, IEC 60745 i może być podłączane do gniazd uziemionych i nieuziemionych. Elektronarzędzie spełnia wymagania odnośnie zakłóceń radioelektrycznych zgodnie z dyrektywą EMC.

Niniejsze elektronarzędzie jest przeznaczone do wiercenia w stali, drewnie, plastiku, itp. Dostępny udarowo-obrotowy tryb pracy zapewnia wiercenie otworów w betonie, kamieniu, murarce i różnych kruchych materiałach. Model ze zmienną prędkością obrotową i funkcją odwracania kierunku obrotów jest również przydatny do wkręcania śrub i frezowania gwintów.

PRZED PRYZYSTĄPIENIEM DO PRACY

- Upewnić się, że napięcie zasilania odpowiada wartości wskazanej na tabliczce znamionowej zawierającej dane techniczne narzędzia.
- Zawsze sprawdzić pozycję wyłącznika. Elektronarzędzie może być podłączone do gniazda zasilania jedynie wówczas, gdy wyłącznik ustawiony jest w pozycji OFF (wyłączone). Jeśli wtyczka jest podłączona do gniazda gdy wyłącznik ustawiony jest w pozycji ON (włączone), elektronarzędzie zostanie natychmiast uruchomione, co może skutkować poważnym wypadkiem.
- Upewnić się, że przewód i wtyczka są w prawidłowym stanie. W przypadku konieczności wymiany przewodu zasilającego, czynność tę, w celu uniknięcia zagrożenia bezpieczeństwa użytkownika, może wykonać producent bądź jego przedstawiciel.



OSTRZEŻENIE: Przed przystąpieniem do jakichkolwiek czynności regulacyjnych, serwisowych czy konserwacyjnych, wyłączyć urządzenie i odłączyć wtyczkę od źródła zasilania.

- W przypadku pracy w miejscu odległym od źródła zasilania używać możliwie najkrótszego przedłużacza o odpowiednim przekroju.
- Upewnić się, że rękojeść pomocnicza jest właściwie zamocowana i solidnie dokręcona.



OSTRZEŻENIE: Przed przystąpieniem do pracy zawsze sprawdzić kierunek obrotów. Zmieniać położenie przełącznika kierunku obrotów jedynie po całkowitym zatrzymaniu się wrzeciona. Zmiana kierunku obrotów przed zatrzymaniem się wrzeciona może doprowadzić do uszkodzenia elektronarzędzia.

WŁĄCZANIE – WYŁĄCZANIE

Uruchomienie jednorazowe

- Włączanie: naciśnięcie wyłącznik 11. dioda 14 świeci (BUR 150CET).
- Wyłączanie: zwolnić wyłącznik 11.

Praca ciągła

- Włączanie: naciśnięcie wyłącznik 11 i w pozycji naciśniętej zablokować przyciskiem 12.
- Wyłączanie: naciśnięcie wyłącznik 11 jeden raz i natychmiast go zwolnić.

BEZSTOPNIOWA REGULACJA OBROTÓW (BUR 150E, BUR 150CET)

Lekki nacisk na włącznik 11 powoduje niskie obroty, dalszy nacisk na włącznik zwiększa płynnie obroty aż do osiągnięcia maksimum przy końcowej pozycji.

WYBÓR OBROTÓW (BUR 150E, BUR 150CET)

Wymagana prędkość obrotowa może być ustawiona wstępnie obracając w lewo lub w prawo regulator 10.

ZMIANA KIERUNKU OBROTÓW (BUR 150E, BUR 150CET)

Krańcowa pozycja dźwigni 9 z prawej strony oznacza obroty zgodne z ruchem wskazówek zegara, krańcowa pozycja z lewej strony – obroty w kierunku przeciwnym do ruchu wskazówek

zegara. Jeśli włącznik jest wciśnięty, dźwignia 9 nie może być aktywowana. Zmiany kierunku obrotów można dokonać wyłącznie przy nieobracającym się wrzecionie!

REGULACJA MOMENTU OBROTOWEGO (BUR 150CET)

Wybrać odpowiedni moment obrotowy za pomocą regulatora 13:

- Pozycja I oznacza minimalny moment obrotowy;
- Pozycja III oznacza maksymalny moment obrotowy.

Stosować maksymalny moment obrotowy do zwykłego wiercenia. Nie pracować urządzeniem w ruchu ciągłym przy niskich obrotach i wysokim momencie obrotowym.

WSKAZANIA DIOD (BUR 150CET)

Dioda zielona 14 – wskazuje kierunek obrotów wrzeciona:

- Światło ciągłe: urządzenie jest pod napięciem, obroty wrzeciona w prawo;
- Światło przerywane: urządzenie jest pod napięciem, obroty wrzeciona w lewo.

Dioda czerwona 15 – wskazuje aktywację regulatora momentu obrotowego:

- Światło ciągłe: Maksymalny moment obrotowy został osiągnięty, wrzeciono zatrzymuje się.
- Światło przerywane: urządzenie jest pod napięciem, zasilanie zostało odcięte.

Aby przywrócić normalną pracę, należy w obu przypadkach, wyłączyć i włączyć wyłącznik 10.

WYBÓR TRYBU PRACY

- Wiercenie w metalu, drewnie, itp. Przełącznik 5 znajduje się w krańcowej pozycji w prawo, przy widocznym symbolu "wiertła".

- Wiercenie w betonie, kamieniu, itp. Przełącznik 5 znajduje się w krańcowej pozycji w lewo, przy widocznym symbolu "młota".

Zmiana trybów pracy jest możliwa podczas pracy urządzenia.

WSTAWIANIE I MOCOWANIE WIERTŁ

Uchwyt trójszczekowy:

Obracając kołnierz uchwytu 2 zgodnie z ruchem wskazówek zegara bądź przeciwnie do ruchu wskazówek zegara, szczęki przesuwają się w pozycję umożliwiającą wstawienie uchwytu wiertła. Obrócić kołnierz uchwytu 2 zgodnie z ruchem wskazówek zegara, aby zamocować

uchwyt wiertła. Na koniec zamocować wiertło w uchwycie za pomocą specjalnego klucza, równo dokręcając we wszystkich trzech otworach.

Uchwyt bez klucza:

Chwycić tylny kołnierz uchwytu i obrócić jego kołnierz przedni aż uchwyt otworzy się na tyle, aby umożliwić wstawienie narzędzia, a następnie zakręcić kołnierz przedni. Słyszalne kliknięcie wskazuje, że uchwyt zablokował się automatycznie.

DEMONTAŻ UCHWYTU

Uchwyt trójszczekowy:

Całkowicie otworzyć szczęki uchwytu 2. Za pomocą śrubokręta odkręcić śrubę zabezpieczającą z lewym gintem. Za pomocą klucza unieruchomić w miejscu 3 wrzeciono. Włożyć klucz do zakręcania uchwytu do jednego z trzech otworów i obracać zgodnie z kierunkiem obrotu wskazówek zegara używając klucza jako dźwigni, aż do całkowitego odkręcenia uchwytu.

Uchwyt samozaciskowy:

Chwycić tylny kołnierz uchwytu, obrócić jego kołnierz przedni aż uchwyt otworzy się. Przy pomocy śrubokręta odkręcić lewoskrętną śrubę zabezpieczającą. Wsunąć imbus lub śrubokręt w uchwyt i zacisnąć. Unieruchomić wrzeciono za pomocą klucza maszynowego i trzymając za końcówkę wykręcić uchwyt obracając w kierunku przeciwnym do ruchu wskazówek zegara.

WKRĘCANIE/WYKRĘCANIE ŚRUB, WKRĘTÓW I NAKRĘTEK (BUR 150E, BUR150CET)

Zdjąć uchwyt 2 zgodnie z powyższą procedurą. Umieścić odpowiednią końcówkę do wkręcania/wykręcania śrub, wkrętów lub nakrętek bezpośrednio we wrzecionie. Ustawić przełącznik trybu pracy 5 w pozycji na prawo aż do uwidocznienia symbolu wiertła. Wybrać wymagany kierunek obrotów (wkręcanie/wykręcanie) za pomocą dźwigni 9. Te operacje wolno przeprowadzać wyłącznie przy niskich obrotach.



OSTRZEŻENIE: W przypadku wkręcania długich śrub lub wkrętów, istnieje ryzyko ześlizgnięcia się wiertarki.

ZALECENIA DOTYCZĄCE WKRĘCANIA

- Używać odpowiednich końcówek do wkręcania, o właściwym kształcie i wielkości.

- W miękkim drewnie odpowiednie śruby mogą być wkręcane bez wiercenia małego otworu pilotażowego;
- W przypadku twardego drewna uprzednie wywiercenie małego otworu pilotażowego jest konieczne;
- W przypadku wkrętów z łbem gniazdowym wpuszczanym, należy uprzednio wykonać pogłębienie czołowe otworu.
- W przypadku sworzni gwintowanych, należy uprzednio wywiercić otwór o długości około połowy sworznia.

RĘKOJEŚĆ POMOCNICZA

Zamocować rękojeść pomocniczą 8 w uchwycie ślizgowym wiertarki 4. Dla bezpieczeństwa powinno się zawsze używać rękojeści pomocniczej 8. Wskaźnik głębokości 7 może być stosowany do ustalania głębokości wierconych otworów.

WSKAZÓWKI DOTYCZĄCE PRACY

Stosować umiarkowany nacisk podczas wiercenia w betonie (około 80-100 N). Większy nacisk nie zwiększy skuteczności wiercenia, ale będzie skutkował skróceniem okresu eksploatacji urządzenia. W przypadku urządzeń o elektronicznej kontroli prędkości obrotowej, wiercić z prędkością obrotową niższą niż maksymalna przewidziana dla danego materiału.

Używać wiertła z prostym uchwytem z końcówką karbidową.

Od czasu do czasu wyjmować wiertło z otworu, aby usunąć pył.

Obserwować stopień stępienia wiertła i wymieniać go w przypadku stwierdzenia znaczącego spadku efektywności pracy.

Przed wierceniem otworów o dużej średnicy, najpierw należy wywiercić mały otwór pilotażowy.

Optymalna wydajność przy wierceniu w betonie 10 mm, maksymalna średnica 15 mm.

AKCESORIA, KTÓRYCH MOŻNA UŻYWAĆ Z TYM ELEKTRONARZĘDZIEM

- Wiertła do stali od Ø3 mm do Ø13 mm
- Wiertła do drewna od Ø3 mm do Ø25 mm
- Wiertła do betonu od Ø3 mm do Ø15 mm
- Końcówki do wkrętarek o uchwycie sześciokątnym 6,35 mm (1/4")

Konserwacja



OSTRZEŻENIE: Przed przystąpieniem do czynności obsługowych i konserwacyjnych należy zawsze upewnić się, że elektronarzędzie jest wyłączone i odłączone od źródła zasilania.

WYMIANA SZCZOTEK

TNiniejsze urządzenie jest wyposażone w szczotki samoodłączalne. W przypadku zużycia szczotek urządzenia wyłącza się. W takim przypadku obie szczotki muszą zostać wymienione jednocześnie na oryginalne szczotki w autoryzowanym serwisie SPARKY w czasie jak i po upływie gwarancji.

PRZEGLĄD OGÓLNY

Regularnie kontrolować wszystkie mocowania, aby zapewnić odpowiednie dociągnięcie śrub. W przypadku poluzowania którejkolwiek ze śrub, natychmiast ją dokręcić aby uniknąć zagrożenia.

W przypadku konieczności wymiany przewodu zasilającego, czynność tę, w celu uniknięcia zagrożenia bezpieczeństwa użytkownika, może wykonać producent bądź jego przedstawiciel.

CZYSZCZENIE

Aby zapewnić bezpieczną pracę, należy urządzenie i szczeliny wentylacyjne zawsze utrzymywać w czystości.

Regularnie sprawdzać, czy jakikolwiek pył bądź obce ciała dostały się do szczelin wentylacyjnych i kratek w okolicach przełączników. Używać miękkiej szczotki i/lub dmuchawy, aby usunąć wszelki zaległy kurz. Korzystać z okularów ochronnych w celu chronienia oczu podczas czyszczenia.

Zewnętrzne części plastikowe mogą być czyszczone wilgotną ścierką w łagodnym środkami czyszczącym o ile zajdzie taka potrzeba.



OSTRZEŻENIE: Nigdy nie używać alkoholu, benzyny lub innych środków czyszczących. Nigdy nie używać środków żrących do czyszczenia części plastikowych.



OSTRZEŻENIE: Nie można dopuścić do kontaktu narzędzia z wodą.

WAŻNE! Aby zapewnić bezpieczeństwo i niezawodność produktu, naprawy, konserwacja i regulacja powinny być wykonywane przez autoryzowane centra serwisowe bądź inne kompetentne podmioty świadczące tego typu usługi, zawsze przy użyciu oryginalnych części zamiennych.

Gwarancja

Okres gwarancji elektronarzędzi SPARKY jest określony na karcie gwarancyjnej.

Usterki wynikające z normalnego zużycia, przeciążenia lub niewłaściwego obchodzenia się nie będą podlegać gwarancji.

Usterki wynikające z zastosowania wadliwych materiałów, jak również wady w wykonawstwie będą naprawiane bezpłatnie poprzez wymianę bądź naprawę.

Reklamacje odnoszące się do wadliwych elektronarzędzi SPARKY będą uznawane pod warunkiem odesłania urządzenia do sprzedawcy bądź dostarczenia go do autoryzowanego centrum serwisowego zajmującego się obsługą gwarancyjną urządzeń, w postaci nierozmontowanej, w stanie pierwotnym.

Uwagi

Prosimy uważnie zapoznać się z całością Instrukcji obsługi przed przystąpieniem do użytkowania tego produktu.

Producent zastrzega sobie prawo wprowadzania zmian i modyfikacji produktów oraz dokonywania zmian wyposażenia i danych technicznych bez uprzedniego powiadomienia.

Wyposażenie i dane techniczne mogą się różnić w zależności od kraju.

Содержание

Введение	72
Технические данные	74
Общие указания по безопасности при работе с электроинструментами	75
Дополнительные указания по безопасности при работе с дрелями	77
Ознакомление с электроинструментом	A/78
Указания к работе	78
Обслуживание	81
Гарантия	82

РАСПАКОВКА

В соответствии с общепринятыми технологиями производства вероятность обнаружения неисправности новоприобретенного Вами электроинструмента или нехватки какой-нибудь из его частей весьма мала. Если все-таки Вы обнаружите любое несоответствие, просим не начинать использование электроинструмента перед заменой неисправной части или устранения дефекта. Невыполнение этой рекомендации может быть причиной серьезных несчастных случаев.

СГЛОБКА

Дрель, упакованной в чемодане, поставляется вполне собранной.

Дрель, упакованной в коробке, поставляется собранной за исключением дополнительной рукоятки.

Введение

Новоприобретенный Вами электроинструмент SPARKY превзойдет Ваши ожидания. Его производство подчиняется высоким стандартам качества SPARKY, отвечающим строгим требованиям потребителя. Удобный для обслуживания и безопасный в эксплуатации, этот электроинструмент при правильном употреблении будет служить безотказно долгие годы.

ПРЕДОСТЕРЕЖЕНИЕ!



Прочтите внимательно и целиком инструкцию по эксплуатации перед использованием новоприобретенного электроинструмента SPARKY. Обратите специальное внимание на параграфы, обозначенным словом "Предостережение". У Вашего электроинструмента SPARKY много качеств, которые облегчают работу. При разработке этого инструмента основное внимание было направлено на безопасность, эксплуатационные качества и надежность, которые облегчают его обслуживание и эксплуатацию.



Не выбрасывать электроинструменты вместе с бытовыми отбросами!

Отбросы электрических изделий нельзя собирать вместе с бытовыми отбросами. Они должны быть рециклированы на местах, предназначенных специально для этих целей. Просим обратиться к местным властям или к нашему представителю для получения информации насчет рециклирования.

ЗАЩИТА ОКРУЖАЮЩЕЙ СРЕДЫ



Для предохранения окружающей среды электроинструменты, принадлежности и упаковки должны быть переработаны подходящим образом для повторно использования содержащихся в них материалов. Для облегчения процесса рециклирования детали, сделанные из искусственных материалов, обозначены соответствующим способом.

ОПИСАНИЕ СИМВОЛОВ

На табличке с данными электроинструмента нанесены специальные символы, содержащие важную информацию о продукте или инструкции по использованию.



Двойная изоляция для дополнительной защиты.



Соответствует релевантным европейским директивам.



Соответствует требованиям правил Таможенного союза.



Соответствует требованиям украинским нормативным документам.



Ознакомьтесь с инструкцией по эксплуатации.

YYYY-Www Период производства, где переменные символы означают:
YYYY - год производства,
ww – очередная календарная неделя.

BU, BUR Дрель ударного действия.

Технические данные

Модель	BU 150	BUR 150E	BUR 150CET
Потребляемая мощность	650 W	600 W	600 W
Скорость вращения на холостом ходу	2800 min ⁻¹	0-2800 min ⁻¹	500-2500 min ⁻¹
Электронное регулирование	нет	да	да
Электронное регулирование крутящего момента	нет	нет	да
Смена направления вращения	нет	да	да
Охват патрона	1,5-13 mm	1,5-13 mm	1,5-13 mm
Максимальный диаметр сверла:			
для стали	13 mm	13 mm	13 mm
для дерева	25 mm	25 mm	25 mm
для бетона	15 mm	15 mm	15 mm
Вес (EPTA процедура 01/2014)	2,0 kg	2,0 kg	2,0 kg
Класс защиты (EN 60745-1) 	II	II	II

ИНФОРМАЦИЯ О ШУМЕ И ВИБРАЦИЯХ

Значения замерялись в соответствии со стандартом EN 60745.

Излучение шума

A-взвешенный уровень звукового давления L _{рА}	96,0 dB (A)	96,0 dB (A)	96,0 dB (A)
Неопределенность K _{рА}	3,0 dB (A)	3,0 dB (A)	3,0 dB (A)
A-взвешенный уровень звуковой мощности L _{wA}	107,0 dB (A)	107,0 dB (A)	107,0 dB (A)
Неопределенность K _{wA}	3,0 dB (A)	3,0 dB (A)	3,0 dB (A)

Используйте средства для защиты от шума!

Излучение вибраций *

Суммарные значения вибраций (векторная сумма трех направлений) определенные в соответствии с EN 60745:

Ударное сверление по бетону			
Значение излученных вибраций a _{н,Д}	23,0 m/s ²	23,0 m/s ²	23,0 m/s ²
Неопределенность K _{н,Д}	1,5 m/s ²	1,5 m/s ²	1,5 m/s ²
Сверление по стали			
Значение излученных вибраций a _{н,Д}	6,0 m/s ²	6,0 m/s ²	6,0 m/s ²
Неопределенность K _{н,Д}	1,5 m/s ²	1,5 m/s ²	1,5 m/s ²
Завинчивание/Отвинчивание			
Значение излученных вибраций a _н			<2,5 m/s ²
Неопределенность K	1,5 m/s ²	1,5 m/s ²	1,5 m/s ²

* Уровень вибраций измерен в соответствии с т.6.2.7 EN 60745.

Указанный в настоящую инструкцию уровень вибраций измерен в соответствии с установленную EN 60745 методику испытаний и может использоваться для сравнения электроинструментов. Уровень вибраций может использоваться для предварительной оценки воздействия.

Указанный уровень вибраций дан при условии использования инструмента по его прямому назначению. В тех случаях, когда электроинструмент используется для других целей, с другими принадлежностями, уровень вибраций может отличаться от указанного. В этих случаях уровень воздействия может значительно возрасти в рамках общего периода работы.

Для точной оценки воздействия вибраций во время определенного периода работы необходимо учитывать промежутки времени, в которые электроинструмент выключен, либо хотя и включен, но фактически не используется. Это может существенно сократить воздействия вибраций в течение всего периода работы.

Сохраняйте электроинструмент и его принадлежности в хорошем состоянии. Во время работы старайтесь сохранять руки теплыми - это поможет уменьшить вредное воздействие при работе с повышенной вибрацией.

Пыль материалов, как с краски с содержанием свинца, некоторых сортов древесины, минералов и металла может быть вредной для здоровья. Прикосновение к пыли и попадание пыли

в дыхательные пути может вызвать аллергические реакции и/или заболевания дыхательных путей оператора или находящегося вблизи персонала.

Определенные виды пыли, как из дуба и бука, считаются канцерогенными, особенно, совместно с присадками для обработки древесины (хромат, средство для защиты древесины). Материал с содержанием асбеста разрешается обрабатывать только специалистам.

- По возможности применяйте отсос пыли.
 - Следите за хорошей вентиляцией.
 - Рекомендуется пользоваться дыхательной защитной маской с фильтром класса P2.
- Соблюдайте действующие в Вашей стране предписания для обрабатываемых материалов.

Общие указания по безопасности при работе с электроинструментами



ПРЕДОСТЕРЕЖЕНИЕ! Прочитайте все предупреждения и указания по безопасности. Несоблюдение предупреждений и указаний по безопасности может привести к поражению электрическим током, от пожара и/или серьезные ранения.

Сохраните все предупреждения и указания для дальнейшего использования.

Термин “электроинструмент” во всех указанных ниже предупреждениях касается вашего электроинструмента, с питанием от сети (с кабелем) и/или электроинструмент с питанием от аккумуляторной батареи (без кабеля).

1) Безопасность рабочего места

- а) Содержите рабочее место в чистоте и хорошо освещенным. Беспорядок и недостаточное освещение являются предпосылками трудовых инцидентов.
- б) Не работайте с электроинструментами во взрывоопасной атмосфере при наличии воспламеняющихся жидкостей, газов или пыли. Электроинструменты создают искры, которые могут воспламенить пыль или пары.
- в) Держите детей и посторонних лиц на расстоянии, когда работаете с электроинструментом. Рассеивание может привести к потере контроля с Вашей стороны.

2) Электрическая безопасность

- а) Штепселя электроинструментов должны соответствовать контактному гнезду. Никогда не меняйте штепсель каким-либо способом. Не используйте какие-либо адаптерные штепселя для электроинструментов с защитным заземлением. *Использование оригинальных штепселей и соответствующим им контактов уменьшает риск от удара электрическим током.*
- б) Избегайте соприкосновения тела с землей или с заземленными поверхностями, такими как трубы, радиаторы, кухонные плиты и холодильники. *Если ваше тело заземлено, существует повышенный риск поражения электрическим током.*
- в) Не оставляйте электроинструменты под дождем или во влажной среде. *Проникновение воды в электроинструменты повышает риск от поражения электрическим током.*
- г) Используйте кабель по предназначению. Никогда не используйте кабель для переноса электроинструмента, натягивания или отключения штепселя из контактного гнезда. Держите кабель далеко от тепла, масла, острых углов или движущихся частей. *Поврежденные или запутанные кабели повышают риск от поражений электрическим током.*
- д) Во время наружной работы с электроинструментом используйте удлинитель, подходящий для этих целей. *Использование удлинителя, предназначенного для внешних/наружных работ, уменьшает опасность от поражения электрическим током.*
- е) В случае, если работа с электроинструментом во влажной среде неизбежна, используйте предохранительное устройство, которое за-

действовало от остаточного тока для прерывания подачи тока. *Использование предохранительного устройства уменьшает риск от поражения электрическим током.*

3) Личная безопасность

- a) Будьте бдительными, работайте с повышенным вниманием и проявляйте благоразумие, когда работаете с электроинструментом. Не используйте электроинструмент, когда вы устали или находитесь под влиянием наркотиков, алкоголя или медикаментов. *Момент невнимания при работе с электроинструментом может привести к серьезной производственной травме.*
- b) Используйте индивидуальные средства защиты. Носите всегда защитные очки. *Индивидуальные средства защиты, такие как маска против пыли, нескользкая обувь, защитный шлем или средства для защиты слуха, используемые в конкретных условиях, снижают риск от производственных травм.*
- c) Избегайте невольного пуска инструмента. Убедитесь, что выключатель находится в положение „выключено” перед включением к источнику питания и/или аккумуляторной батарее перед тем, как его возьмете в руки или переносите. *Ношение электроинструмента с пальцем на выключателе или подключение к источнику питания электроинструмента с выключателем во включенном положении является предпосылкой для производственной травмы.*
- d) Удалите каждый ключ для затягивания или гаечный ключ перед включением электроинструмента. *Ключ для затягивания или гаечный ключ, прикрепленный к вращающейся части электроинструмента, может привести к трудовому инциденту.*
- e) Не перетягивайтесь. Поддерживайте правильное положение и равновесие в течение всей работы. *Это позволит лучше управлять электроинструментом при неожиданных ситуациях.*
- f) Носите подходящую рабочую одежду. Не носите широкую одежду или украшения. Держите свои волосы, одежду и перчатки далеко от движущихся частей. *Широкая одежда, бижутерия или длинные волосы могут попасть в движущиеся части.*

g) Если электроинструмент снабжен приспособлением для пыли, убедитесь, что они правильно установлены и правильно используются. *Использование этих устройств может понизить связанные с пылью опасности.*

4) Эксплуатация и уход за электроинструментами

- a) Не перегружайте электроинструмент. Используйте правильно выбранный электроинструмент согласно его предназначению. *Правильно подобранный электроинструмент работает лучше и безопасней для объявленного режима работы, для которого он спроектирован.*
- b) Не используйте электроинструмент в случае, если выключатель не переключается во включенное и исключенное положение. *Каждый электроинструмент, который не может управляться с помощью его выключателя, опасен и подлежит ремонту.*
- c) Отключите штепсель от электросети перед тем, как начать любые настройки, перед заменой принадлежностей или перед тем, как убрать электроинструмент для хранения. *Эти меры предосторожности снижают риск невольного пуска электроинструмента.*
- d) Сохраняйте неиспользованные электроинструменты в местах, недоступных для детей и не позволяйте обслуживающему персоналу, который не знаком с электроинструментом или инструкциями по эксплуатации, работать с ним. *Электроинструменты являются опасными в руках необученных потребителей.*
- e) Проверяйте электроинструменты. Проверяйте, работают ли нормально и движутся ли свободно движущиеся части, находятся ли в целости и исправности части, а также проверяйте все прочие обстоятельства, которые могут неблагоприятно повлиять на работу электроинструмента. Если он поврежден, электроинструмент необходимо отремонтировать перед его дальнейшим использованием. *Много инцидентов причиняются от плохо обслуживаемых электроинструментов.*
- f) Поддерживайте режущие инструменты острыми и чистыми. *Правильно поддерживаемые режущие инструменты с острыми режущими углами режут*


блокируются и проще управляются.

- г) **Используйте электроинструмент, принадлежность и часть инструмента и т.д. в соответствии с этими инструкциями и способом, предусмотренным для конкретного типа электроинструмента, имея ввиду рабочие условия и работу, которую необходимо выполнять.** *Использование электроинструмента для работы не по предназначению может привести к опасной ситуации.*


5) Обслуживание


- а) **Ремонтируйте ваш электроинструмент у квалифицированного специалиста по ремонту, при этом используйте только оригинальные запасные части.** *Это обеспечивает сохранение безопасности электроинструмента.*

Дополнительные указания по безопасности при работе с дрелями

 Пользуйтесь средствами защиты слуха при работе с дрелями ударного действия. *Воздействие шума может привести к потере слуха.*

- **Всегда пользуйтесь дополнительной рукоятку, поставленную вместе с инструментом.** *Потеря контроля может привести к производственным травмам.*

 **Во время работы используйте средства защиты зрения, чтобы предохраниться от выделяющихся частиц.** *Пользуйтесь защитными очками.*

 **Берите предохранительные меры против вдоха пыли.** *Некоторые материалы могут содержать токсические составки. Пользуйтесь пылезащитной маской и устройством пылеотвода.*

- **В случае потенциальной возможности касания режущей принадлежности до скрытой электропроводки или до собственного питающего шнура, держите электроинструмент только за изолированные поверхности рукояток.** *Контакт принадлежности с токоведущим проводом ставит под напряжение также открытые металлические части элек-*

троинструмента и может привести к поражению оператора электрическим током.

- Не обрабатывайте материалы содержащих асбеста. Асбест считается канцерогенным веществом.



ПРЕДОСТЕРЕЖЕНИЕ: Прежде чем связать электроинструмент к сети питания, убедитесь, что питающее напряжение отвечает на указанном на табличке техническими данными электроинструмента.

- Если источник питания напряжением выше указанного для электроинструмента, то он может вызвать серьезное поражение электрическим током на оператора и повреждение электроинструмента.
- Если вы не уверены, не ставьте штепсель электроинструмента в розетке сети.
- Если источник питания напряжением ниже указанного на табличке электроинструмента, то он может привести к повреждению электродвигателя.
- Чтобы предотвратить эвентуального перегревания, всегда развивайте кабель с удлинителем с кабельным барабаном до конца.
- Когда необходимо использовать удлинителя, то убедитесь, что его сечение отвечает номинальному току использованного электроинструмента, а также и в исправности удлинителя.



ПРЕДОСТЕРЕЖЕНИЕ: Всегда выключайте электроинструмент и штепсель из розетки питания, прежде чем сделать любую настройку, обслуживание или сервис.

- При работе всегда удерживайте инструмент обеими руками и стремитесь к устойчивому положению тела. Электроинструмент направляется более безопасно, когда держите его обеими руками.
- Прежде чем начать работу проверяйте с помощью подходящего металлоискателя наличие скрытой электро-, газо- и водопроводных труб и ищите содействие местных органов власти. Соприкосновение сверла со скрытой электроинсталляцией может вызвать пожара или поражения электрическим током. Повреждение газопровода может вызвать взрыва, а повреждение водо-

- провода наносит вред собственности или поражает электрическим током.
- Удерживайте кабель питания вне зоны работы электроинструмента.
- В случае обнаружения повреждения кабеля не используйте электроинструмент. Если это случится во время работы, то сразу выньте штепсель из розетки питания. Поврежденные кабели повышают риск в получение токового удара.
- Всегда стремитесь к устойчивому положению корпуса. Во время работы с инструментом на высоте, убедитесь что внизу нет никого.
- Закрепляйте обрабатываемую деталь в тисках или иным подходящим способом.
- Следите за инерционным моментом во время пуска инструмента или в случае заедания сверла.
- Не трогайте сверла или обрабатываемую деталь сразу после работы. Они могут быть горячими и могут вызвать ожог кожи.
- Соблюдайте гигиену на рабочем месте. Смешение пыли разных материалов особенно опасно. Пыль из легких металлов может разгореться и взорваться.
- Никогда не бросайте тряпки, пакли, проводники или проволоки поблизости рабочего места.
- Всегда выключайте инструмент, прежде чем оставить его в сторону.
- Пользуйтесь электроинструментом только по предназначению. Всякое другое пользование, отличное от указанного этой инструкцией будет считаться неправильным.. Ответственность за любое повреждение или ранение, происходящего от неправильного употребления, будет нести потребитель, а не производитель.
- Чтобы пользоваться правильно этот инструмент, нужно соблюдать правила безопасности, общие инструкции и указания к работе, указанных здесь. Все потребители должны познакомиться с этой инструкцией по эксплуатации и проинформироваться о потенциальных рисках при работе с электроинструментом. Дети и физически слабые люди не должны пользоваться инструментом. За детей надо непрестанно наблюдать, если они находятся в зоне работы электроинструмента. Обязательно надо принять превентивные меры безопасности. То же самое относится и к соблюдению основных правил профессионального здоровья и безопасности.

- Производитель не несет ответственность за изменения, сделанные потребителем на электроинструмент или за повреждения, вызванные подобными изменениями.
- Электроинструментом не следует пользоваться под открытым небом в дождливую погоду, во влажной среде (после дождя) или вблизи легко воспламеняемых жидкостей и газов. Рабочее место должно быть хорошо освещено.

Ознакомление электроинструментом

До того, как приступить к работе с электроинструментом, познакомьтесь со всеми оперативными особенностями и условиями безопасности.

Используйте электроинструмент и его принадлежность только по назначению. Всякое другое применение абсолютно запрещено.

1. Предохранительный винт (BUR150E, BUR150CET)
2. Патрон
3. Место фиксации шпинделя
4. Шейка электродрели
5. Переключатель режимов работ
6. Вентиляционные пазы
7. Ограничительная линейка
8. Дополнительная рукоятка
9. Рычажок реверса (BUR 150E, BUR 150CET)
10. Электронный регулятор оборотов вращения (BUR 150E, BUR 150CET)
11. Выключатель питания
12. Кнопка стопора выключателя питания
13. Регулятор крутящего момента
14. Зеленый светодиод
15. Красный светодиод

Указания к работе

Этот электроинструмент питается только однофазным переменным напряжением. Его можно включать в розетку питания без защитных клемм, так как у него двойная изоляция, согласно EN 60745-1 и IEC 60745. Радиопомехи соответствуют Директивы Европейского парламента и Совета относительно электромагнитной совместимости.

Этот электроинструмент предназначен для сверления отверстий по стали, древесине, пластмассам и т.д. Предусмотрен вращающе-ударный режим, что дает возможность сверления отверстий в бетоне, горным породам, штукатурке и прочим хрупким материалам.

Встроенное СЕТ электронное управление (BUR 150СЕТ) с регулятором крутящего момента позволяет завинчивание инструментом винтов.

ПЕРЕД НАЧАЛОМ РАБОТЫ

- Проверьте соответствие напряжения электрической сети питания на указанном на табличке технических данных электроинструмента.
- Проверьте в какой позиции находится выключатель сети. Электроинструмент должен присоединяться и отделяться от сети питания только в отключенном положении выключателя сети. Если поставите штепсель в розетке питания пока выключатель находится в позиции "включено", то привод может задействоваться и это приведет к несчастному случаю.
- Убедитесь в исправности кабеля питания и штепселя. В случае обнаружения повреждения кабеля, его замена должна быть выполнена производителем или специалистом фирменного сервиса во избежание риска его замены.



ПРЕДОСТЕРЕЖЕНИЕ: Всегда выключайте электроинструмент и штепсель из розетки питания до того как производить любые работы по настройке, ремонту или уходу за инструментом.

- Если зона работы отделена от источника питания, то используйте удлинитель, как можно короткой длины с подходящим сечением.
- Проверьте правильно и надежно ли установлена дополнительная рукоятка.



ПРЕДОСТЕРЕЖЕНИЕ: Прежде чем начать работу всегда проверяйте направление вращения. Пользуйтесь рычагом для изменения направления вращения при вполне остановленном шпинделя. Перемена направления без окончательной остановки шпинделя может привести к повреждению инструмента.

ПУСК - ОСТАНОВКА

Кратковременное действие

- Пуск: нажмите на выключатель 11. Загорается светодиод 14 (BUR150СЕТ).
- Остановка: выжмите выключатель 11.

Продолжительная работа

- Пуск: Нажмите на выключатель 11 и в таком положении застопорите его кнопкой 12.
- Остановка: После короткого нажатия на клавишу выключателя тут же отпустите ее.

БЕССТУПЕНЧАТОЕ ЭЛЕКТРОННОЕ РЕГУЛИРОВАНИЕ ОБОРОТОВ ВРАЩЕНИЯ (BUR 150E)

Легкое нажатие на клавишу выключателя 11 приводит в действие электродрель на малых оборотах; по мере усиления нажима обороты плавно возрастают до достижения максимального значения.

ВЫБОР ЧАСТОТЫ ВРАЩЕНИЯ (BUR 150E, BUR 150СЕТ)

Вращением электронного регулятора 10 по часовой стрелке или против нее выбирают требуемое значение оборотов.

РЕВЕРС (BUR 150E, BUR 150СЕТ)

Крайнее правое положение рычага 9 означает вращение по часовой стрелке, а крайнее левое - против нее.

При нажатии на выключатель 11 рычаг 9 не может быть задействован. Реверс следует производить только при отключенном инструменте.

НАСТРОЙКА КРУТЯЩЕГО МОМЕНТА (BUR 150CET)

Крутящий момент выбирают регулятором 13:

- I - наименьший крутящий момент отключения;
- III - наибольший момент отключения.

В нормальном режиме сверления применять максимальный крутящий момент. Не следует работать длительное время на малых оборотах с большим крутящим моментом.

СВЕТОДИОДНАЯ ИНДИКАЦИЯ (BUR 150CET)

Зеленый светодиод 14 - выполняет роль индикатора направления вращения шпинделя инструмента:

- горит непрерывным светом: Инструмент подключен к сети питания, выбрано правое направление вращения шпинделя
- горит мигающим светом: Инструмент подключен к сети, выбрано левое вращение шпинделя.

Красный светодиод 15 - выполняет роль индикатора срабатывания контроля момента:

- горит непрерывным светом - Инструмент подключен к сети питания, сработал контроль момента.
- горит мигающим светом: Инструмент подключен к сети, возникла утечка питания

Для восстановления нормального режима работы необходимо выключить и затем снова включить электроинструмент клавишей выключателя питания.

ПЕРЕКЛЮЧЕНИЕ РЕЖИМОВ РАБОТ

- сверление по металлу, древесине и т.д. Переключатель 5 установлен в крайнее правое положение, виден символ "сверло".
 - сверление по бетону, камню и т.д. Переключатель 5 установлен в крайнее левое положение, виден символ "молоток".
- Переключение режимов работ можно производить и при работающем инструменте.

УСТАНОВКА И ЗАХВАТ СВЕРЛА

При машинах с обычным трехкулачковым патроном:

Проворачивая венец патрона 2 по часовой стрелке или против нее разводят кулачки до положения, при котором хвостовик сверла может быть установлен в патрон. Проворачивая венец патрона 2 по часовой стрелке

кулачки захватывают хвостовик. С помощью специального ключа производят окончательный захват, равномерно затягивая венец в трех отверстиях.

При инструментах, оснащенных быстро-зажимным патроном:

Удерживая нижний венец патрона прокручивают верхний до возможности установки сверла. Затем вручную прокручивают верхний венец до отчетливого щелчка.

ДЕМОНТАЖ ПАТРОНА

При машинах с обычным трехкулачковым патроном.

Кулачки патрона 2 разводят до упора. С помощью отвертки отворачивают предохранительный левонарезной винт. В точке фиксации 3 шпиндель захватывают гаечным ключом. Специальный ключ для захвата сверла устанавливают в одно из трех отверстий патрона и проворачивая его против часовой стрелки, пользуясь ключом как рычагом, снимают патрон со шпинделя.

При инструментах с быстрозажимным патроном

Удерживая нижний венец, проворачивают верхний до крайне разведенного положения. С помощью отвертки отворачивают предохранительный левонарезной винт. В патрон устанавливают шестигранный наконечник или сменную насадку для завинчивания винтов. В точке фиксации 3 шпиндель захватывают гаечным ключом и проворачивают патрон против часовой стрелки.

ОТВИНЧИВАНИЕ И ЗАВИНЧИВАНИЕ БОЛТОВ, ВИНТОВ И ГАЕК (BUR 150E, BUR150CET)

Патрон 2 демонтируют указанным выше способом, после чего соответствующую сменную насадку устанавливают непосредственно на шпиндель. Переключатель 5 режимов работ устанавливают в крайнее правое положение таким образом, чтобы символ "сверло" был виден полностью. С помощью рычага 9 реверса выбирают направление вращения - отвинчивание - завинчивание. Эти операции следует производить только на малых оборотах вращения.



ПРЕДОСТЕРЕЖЕНИЕ: При завинчивании длинных болтов и винтов существует опасность соскальзывания инструмента.

СОВЕТЫ ПО ЗАВИНЧИВАНИЮ ВИНТОВ

- Применять соответствующие по форме и размерам насадки;
- По мягким древесным породам винты можно завинчивать и без предварительного сверления;
- По твердым древесным породам рекомендуется заранее просверлить отверстие меньшего диаметра для винтов больших диаметров;
- При винтах с утопленными шляпками отверстие необходимо заранее фрезенковать;
- При винтах с неполной резьбой заранее просверлите отверстие глубиной примерно в полвинта.

ДОПОЛНИТЕЛЬНАЯ РУКОЯТКА

Дополнительную рукоятку 8 устанавливают на шейку 4 электродрели. С помощью ограничительной линейки 7 возможна фиксация глубины сверления.

РЕКОМЕНДАЦИИ ПО РАБОТЕ С ЭЛЕКТРОДРЕЛЬЮ

Применяйте умеренный нажим при сверлении по бетону (примерно 80-100N). Значительный нажим не приводит к повышению производительности и значительно сокращает срок эксплуатации инструмента. При инструментах, оснащенных электронным регулятором, производите сверление на оборотах ниже максимальных, учитывая обрабатываемый материал.

Применяйте сверла с пластинами из твердых сплавов и цилиндрическим хвостовиком. Время от времени вынимайте сверло из патрона для удаления пыли.

Следите за степенью затупления сверла и меняйте его при снижении производительности сверления. Не стремитесь сверлить сразу большим диаметром, просверлите сперва отверстие меньшего диаметра. Оптимальный диаметр сверления по бетону составляет 10 мм, а возможный - до 15 мм.

ОСНАСТКА К ЭЛЕКТРОИНСТРУМЕНТУ

- Сверла по стали диаметром от Ø3 мм до Ø13 мм
- Сверла по древесине диаметром от Ø3 мм до Ø25 мм
- Сверла по бетону диаметром от Ø3 мм до Ø15 мм
- Наконечники с подсоединительным шестигранником 6.35 мм (1/4") для завинчивания винтов

Обслуживание



ПРЕДОСТЕРЕЖЕНИЕ: Всегда выключайте электроинструмент и вытаскивайте штепсель из розетки перед каждой проверкой или осуществлением ухода.

ЗАМЕНА ЩЕТОК

Электроинструмент оснащен самовыключающимися щетками. Когда щетки изнашиваются машина выключается автоматически. В таком случае обе щетки должны быть заменены одновременно оригинальными щетками в сервисе SPARKY по гарантийному и внегарантийному обслуживанию.

ОБЩАЯ ПРОВЕРКА

Проверяйте регулярно все элементы крепления и убедитесь в том, что они крепко затянуты. В том случае, если какой-либо винт ослаблен, незамедлительно затяните его во избежание ситуаций, связанных с риском. Если кабель питания поврежден, замена должна быть осуществлена производителем или его сервисным специалистом во избежание опасностей, связанных с заменой.

УБОРКА

Для безопасной работы всегда содержите машину и вентиляционные отверстия в чистоте

Регулярно проверяйте, не проникли ли в вентиляционные отверстия электродвигателя или около переключателей пыль или инородные тела. Используйте мягкую щетку и/или струю сжатого воздуха, чтобы устранить накопившуюся пыль. Для защиты глаз во время уборки носите защитные очки.

Если корпус машины нужно почистить, протрите его мягкой влажной тряпкой. Можно использовать слабый препарат для мытья.



ПРЕДОСТЕРЕЖЕНИЕ: Не допускается использование спирта, бензина или других растворителей. Никогда не используйте разъедающие препараты для чистки пластмассовых частей.



ПРЕДОСТЕРЕЖЕНИЕ: Не допускается контакт воды с машиной.

ВАЖНО! Чтобы обеспечить безопасную работу электроинструментом и его надежность, все действия по ремонту, обслуживанию и регулированию (включительно проверку и замену щеток) следует осуществлять в специализированных сервисах SPARKY с использованием только оригинальных резервных частей.

Гарантия

Гарантийный срок электроинструментов SPARKY указан в гарантийной карте.

Неисправности, появившиеся в результате естественного изнашивания, перегрузки или неправильной эксплуатации, не входят в гарантийные обязательства.

Неисправности, появившиеся вследствие применения некачественных материалов и/или из-за производственных ошибок, устраняются без дополнительной оплаты путем замены или ремонта.

Рекламации дефектного электроинструмента SPARKY принимаются в том случае, если машина будет возвращена поставщику, или специализированному гарантийному сервису в не разобранном (первоначальном) состоянии.

Замечания

Внимательно прочтите всю инструкцию по эксплуатации перед тем, как приступить к использованию этого изделия.

Производитель сохраняет за собой право вносить в свои изделия улучшения и изменения, а также изменять спецификации без предупреждения.

Спецификации для разных стран могут различаться.

Зміст

Введення.....	83
Технічні дані.....	85
Загальні вказівки з безпеки при роботі з електроприладами.....	86
Додаткові вказівки з безпеки під час роботи з дрелями.....	88
Ознайомлення з електроінструментом.....	A/89
Вказівки щодо роботи.....	89
Обслуговування.....	92
Гарантія.....	93

РОЗПАКУВАННЯ

У відповідності з загальноприйнятими технологіями великосерійного виробництва, майже не існує ризику поломки Вашого електроінструменту, або відсутності будь-якої з його частин. Якщо ви все ж таки встановите пошкодження, не використовуйте електроінструмент до тих пір, поки дефектна частина не буде замінена, а несправність - усунена. Порухення цієї рекомендації може призвести до серйозного трудового інциденту.

ЗБІРКА

Дриль, упакована у валізі, поставляється цілком зібраною.

Дриль, упакована у коробці, поставляється зібраною за винятком додаткової рукоятки.

Введення

Придбаний Вами електроінструмент SPARKY перевершить Ваші очікування. Він зроблений у відповідності до високих стандартів якості SPARKY, що відповідають суворим вимогам споживача. Його легко обслуговувати і він безпечний при експлуатації, при правильному використанні цей електроінструмент буде служити Вам довгі роки.

ЗАСТЕРЕЖЕННЯ!



Прочитайте уважно і цілком інструкцію з експлуатації, перед використанням новопридбаного електроінструменту SPARKY. Зверніть спеціальну увагу на параграфи, позначених словом "Застереження". У Вашого електроінструменту SPARKY багато якостей, які полегшують роботу. При розробці цього інструменту основну увагу було направлено на безпеку, експлуатаційні якості і надійність, які полегшують його обслуговування і експлуатацію.



Не викидайте електроінструменти разом з побутовими відходами!

Відходи від електричних виробів не варто збирати разом з побутовими відходами. Будь ласка, викидайте в місцях, призначених для цього. Зв'яжіться з місцевою владою або представником для консультації щодо повторної переробки.

ОХОРОНА НАВКОЛИШНЬОГО СЕРЕДОВИЩА



З урахуванням охорони навколишнього середовища електроінструмент, приналежності й упаковка повинні надати відповідній переробці для повторного використання сировини, що міститься в них. Для полегшення повторної переробки деталей, зроблених з штучних матеріалів, вони позначені відповідним чином.

ОПИС СИМВОЛІВ

Табличка з даними електродріля містить спеціальні символи. Вони є важливою інформацією про використання інструмента та його характеристики.



Подвійна ізоляція для додаткового захисту.



Відповідає чинним європейським директивам.



Відповідає регламентам Митного союзу.



Відповідає вимогам українських нормативних документів.



Ознайомтеся з інструкцією з експлуатації.

YYYY-Www Термін виробництва, де змінними символами є:

YYYY - рік випуску,

ww - черговий календарний тиждень.

BU, BUR Дріль ударної дії.

Технічні дані

Модель	BU 150	BUR 150E	BUR 150CET
Споживана потужність	650 W	600 W	600 W
Швидкість обертання на неробочому ході	2800 min ⁻¹	0-2800 min ⁻¹	500-2500 min ⁻¹
Електронне регулювання обертів	ні	так	так
Електронне регулювання крутного моменту	ні	ні	так
Зміна напрямку обертання	ні	так	так
Охват патронника	1,5-13 mm	1,5-13 mm	1,5-13 mm
Максимальний діаметр свердла:			
для сталі	13 mm	13 mm	13 mm
по дереву	25 mm	25 mm	25 mm
для бетону	15 mm	15 mm	15 mm
Вага (EPTA процедура 01/2014)	2,0 kg	2,0 kg	2,0 kg
Клас захисту (EN 60745-1) 	II	II	II

ІНФОРМАЦІЯ ПРО ШУМ ТА ВІБРАЦІЇ

Значення замірялися відповідно до стандарту EN 60745.

Випромінювання шуму

A-зважений рівень звукового тиску L _{рА}	96,0 dB (A)	96,0 dB (A)	96,0 dB (A)
Невизначеність K _{рА}	3,0 dB (A)	3,0 dB (A)	3,0 dB (A)
A-зважений рівень звукової потужності L _{wА}	107,0 dB (A)	107,0 dB (A)	107,0 dB (A)
Невизначеність K _{wА}	3,0 dB (A)	3,0 dB (A)	3,0 dB (A)

Використовуйте засоби для захисту від шуму!

Випромінювання вібрацій *

Сумарні значення вібрацій (векторна сума трьох напрямків) визначені відповідно до EN 60745:

Ударне свердління по бетону			
Значення випромінених вібрацій a _{h,іD}	23,0 m/s ²	23,0 m/s ²	23,0 m/s ²
Невизначеність K _{іD}	1,5 m/s ²	1,5 m/s ²	1,5 m/s ²
Свердління по сталі			
Значення випромінених вібрацій a _{h,D}	6,0 m/s ²	6,0 m/s ²	6,0 m/s ²
Невизначеність K _D	1,5 m/s ²	1,5 m/s ²	1,5 m/s ²
Загвинчування/Відгвинчування			
Значення випромінених вібрацій a _v			<2,5 m/s ²
Невизначеність K	1,5 m/s ²	1,5 m/s ²	1,5 m/s ²

* Рівень вібрацій виміряно у відповідності з т.6.2.7 EN 60745.

Вказаний в інструкції рівень вібрацій виміряний відповідно до встановлених EN 60745 методик випробувань, і може використовуватися для порівняння електроінструментів. Рівень вібрацій може використовуватися для попередньої оцінки впливу.

Зазначений рівень вібрацій надано за умови використання інструменту за його прямим призначенням. У тих випадках, коли електроінструмент використовується для інших цілей, з іншими речами, рівень вібрацій може відрізнятися від зазначеного. У цих випадках рівень впливу може значно зрости в рамках загального періоду роботи.

Для точної оцінки впливу вібрацій, під час певного періоду роботи необхідно враховувати проміжки часу, в які електроінструмент вимкнено, або хоча і включений, але фактично не використовується. Це може істотно скоротити вплив вібрацій протягом всього періоду роботи.

Зберігайте електроінструмент і його речі в гарному стані. Під час роботи намагайтеся зберігати руки теплими - це допоможе зменшити шкідливий вплив при роботі з підвищеною вібрацією.

Пил матеріалів, наприклад - фарби з вмістом свинцю, деяких сортів деревини, мінералів і металу може бути шкідливим для здоров'я. Дотик до пилу і потрапляння пилу в дихальні шляхи може викликати алергічні реакції та / або захворювання дихальних шляхів оператора або персоналу, що знаходиться поблизу.

Певні види пилу, наприклад, з дуба та бука, вважаються канцерогенними, особливо, спільно з присадками для обробки деревини (хромат, засіб для захисту деревини, тощо). Матеріал з вмістом азбесту дозволяється обробляти тільки фахівцям.

- По можливості застосовуйте відсмоктування пилу.
 - Для досягнення максимально високої ефективності збирання пилу при роботі з даним приладом, використовуйте пилосос, призначений для збору пилу з деревини або для пилу з деревини та / або мінерального пилу.
 - Слідкуйте за хорошою вентиляцією.
 - Рекомендується користуватися дихальною захисною маскою з фільтром класу P2.
- Дотримуйтесь розпорядження щодо оброблюваних матеріалів, що діють у Вашій країні.

Загальні вказівки з безпеки при роботі з електроприладами



ЗАСТЕРЕЖЕННЯ! Прочитайте всі попередження і вказівки з безпеки. Недодержання попереджень і вказівок з безпеки може призвести до ураження електричним струмом, пожежі та / або важкого поранення.

Збережіть всі попередження та вказівки для подальшого використання.

Термін “електроприлад” у всіх зазначених нижче попередженнях стосується вашого електроприладу, з живленням від мережі (з кабелем), та / або електроприладу з живленням від акумуляторної батареї (без кабелю).

1) Безпека робочого місця

- а) Утримайте робоче місце в чистоті і добре освітленим. Безлад і недостатнє освітлення є передумовою виникнення трудових інцидентів.
- б) Не працюйте з електроприладами у вибухонебезпечній атмосфері при наявності займистих рідин, газів або пилу. Електроприлади створюють іскри, що можуть займати пил або пари.
- в) Тримайте дітей та сторонніх осіб на відстані, коли працюєте з електроприладом. Розсіювання уваги може призвести до втрати контролю з Вашого боку.

2) Електрична безпека

- а) Штепселі електроприладів повинні відповідати контактним гніздам. Ніколи не змінюйте штепсель у будь-який спосіб. Не використовуйте будь-які

адаптерні штепселі для електроприладів із захисним заземленням. Використання оригінальних штепселів і відповідних їм контактів зменшує ризик удару електричним струмом.

- б) Уникайте дотику тіла з землею або заземленими поверхнями, такими як труби, радіатори, кухонні плити та холодильники. Якщо ваше тіло заземлене, існує підвищений ризик ураження електричним струмом.
 - в) Не залишайте електроприлади під дощем або у вологому середовищі. Проникнення води в електроприлади підвищує ризик ураження електричним струмом.
 - г) Використовуйте кабель за призначенням. Ніколи не використовуйте кабель для перенесення електроприладу, натягування або відключення штепселя з контактної гнізда. Тримайте кабель далеко від тепла, олії, гострих кутів, що рухаються. Пошкоджені або заплутані кабелі підвищують ризик поразок електричним струмом.
 - д) Під час зовнішніх робіт використовуйте подовжувач, що підходить для цих цілей. Використання подовжувача, призначеного для зовнішніх робіт, зменшує небезпеку від ураження електричним струмом.
 - е) У випадку, якщо робота з електроприладом у вологому середовищі неминуча, використовуйте запобіжний пристрій, який робить на залишковому струмі для переривання подачі струму. Використання запобіжного пристрою зменшує ризик ураження електричним струмом.
- ### 3) Особиста безпека
- а) Будьте пильні, працюйте з підвищеною увагою і проявляйте розсудливість, коли працюєте з електроприладом. Не використовуйте

електроприлад, коли ви стомлені, або під впливом наркотиків, алкоголю, медикаментів, тощо. Одна мить не уваги при роботі з електроприладом може призвести до серйозної виробничої травми.

- b) Використовуйте індивідуальні засоби захисту. Носіть завжди захисні окуляри. Індивідуальні засоби захисту, такі як маска проти пилу, неслизьке взуття, захисний шолом або засоби для захисту слуху, що використовуються в конкретних умовах, знижують ризик виникнення виробничих травм.
- c) Уникайте мимовільного пуску інструменту. Переконайтеся, що вимикач знаходиться в положенні “вимкнено” перед включенням в джерело живлення та / або акумуляторної батареї, перед тим, візьмете в руки або перенесите. Носіння електроприладу з пальцем на вимикачі або підключення до джерела живлення електроінструменту з вимикачем у включеному положенні є передумовою для виробничої травми.
- d) Видаліть кожен гайковий ключ перед включенням електроприладу. Ключ для затягування або гайковий ключ, прикріплений до частини електроприладу, що обертається, може призвести до трудового інциденту.
- e) Не простягайтесь занадто. Підтримуйте правильне положення і рівновагу протягом всієї роботи. Це дозволить краще керувати електроприладом у несподіваних ситуаціях.
- f) Носіть придатний одяг. Не носіть широкий одяг або прикраси. Тримайте своє волосся, одяг і рукавички далеко від рухомих частин. Широкий одяг, біжутерія та довге волосся можуть потрапити в рухомі частини.
- g) Якщо електроприлад має пристосування для пилу, переконайтеся, що воно правильно встановлено і правильно використовується. Використання цих пристроїв може знизити пов'язані з пилом небезпеки.

4) Експлуатація і догляд за електроприладами

- a) Не перевантажуйте електроприлад. Використовуйте правильно вибраний електроприлад згідно з його призначенням. Правильно підібраний електроприлад працює краще і безпечніше для оголошеного режиму роботи, для

якого він спроектований.

- b) Не використовуйте електроприлад у випадку, якщо вимикач не переходить у включену і виключену позицію. Кожен електроприлад, який не може управлятися за допомогою вимикача, є небезпечним і підлягає ремонту.
 - c) Вимкніть штепсель від електромережі перед тим, як почати будь-які налаштування, перед заміною приладдя або перед тим, як прибрати електроприлад для зберігання. Ці запобіжні заходи знижують ризик мимовільного пуску електроприладу.
 - d) Зберігайте невикористані електроприлади в місцях, недоступних для дітей, і не дозволяйте користуватися ним обслуговуючому персоналу, який не знайомий з електроприладом або інструкціями з експлуатації. Електроприлади є небезпечними в руках ненавчених споживачів.
 - e) Перевіряйте електроприлади. Перевіряйте, чи працюють нормально і рухаються вільно рухомі частини, чи знаходяться в цілості і справності усі частини, а також перевіряйте всі інші обставини, які можуть негативно вплинути на роботу електроприладу. У разі ушкоджень електроприлад необхідно відремонтувати перед його подальшим використанням. Багато інцидентів заподіюються у випадку поганого обслуговування електроприладів.
 - f) Підтримуйте різучі інструменти гострими і чистими. Правильно підтримані різучі інструменти з гострими кутами рідше блокуються і простіше управляються.
 - g) Використовуйте електроприлад, приналежності (комплектуючі) і частини інструменту і т.д. відповідно до цих інструкцій та у засіб, передбачений для конкретного типу електроприладу, маючи на увазі робочі умови і роботу, яку необхідно виконувати. Використання електроприладу для роботи не за призначенням може призвести до небезпечної ситуації.
- #### 5) Технічне обслуговування
- a) Ремонтуйте ваш електроприлад у кваліфікованого фахівця з ремонту, причому використовуйте тільки оригінальні запасні частини. Це забезпечує безпеку електроприладу.

Додаткові вказівки з безпеки під час роботи з дрелями



Користуйтеся засобами захисту слуху під час роботи з дрелями ударної дії. Вплив шуму може привести до втрати слуху.

- Завжди користуйтеся додатковою рукояткою, що постачається разом із інструментом. Втрата контролю може призвести до виробничих травм.



Під час роботи використовуйте засоби захисту зору, щоб вберегтися від частинок, що виділяються. Користуйтеся захисними окулярами.



Використовуйте запобіжні засоби проти вдихання пилу. Деякі матеріали можуть містити токсичні складові. Користуйтеся пилозахисною маскою і пристроєм пилівідводу.

- Якщо існує можливість контакту ріжучого приладдя з прихованою електропроводкою або з власним дротом живлення, тримайте електроінструмент тільки за ізольовані поверхні рукояток. Контакт приладдя зі струмоведучим проводом ставить під напругу також відкриті металеві частини електроінструменту і може призвести до ураження оператора електричним струмом.
- Не обробляйте матеріали, що містять азбест. Азбест вважається канцерогенною речовиною.



ЗАСТЕРЕЖЕННЯ: Перш ніж підключити електроінструмент до мережі живлення, переконайтеся, що напруга живлення відповідає зазначеним на табличці технічним даним електроінструменту.

- Якщо джерело живлення напругою вище зазначеної для електроінструменту, то воно може викликати серйозне ураження оператора електричним струмом і пошкодження електроінструменту.
- Якщо ви не впевнені, не вставляйте штепсель електроінструменту у розетку мережі.
- Використання джерела живлення з більш низькою ніж позначеною на табличці електроінструменту напругою зашкодить елек-

тродвигуну.

- Для запобігання евентуального перегрівання, завжди розмотуйте кабель із подовжувачем із кабельним барабаном до кінця.
- Якщо є необхідність використовувати подовжувач, переконайтеся, що його переріз відповідає номінальному струму електроінструменту, що використовується; також переконайтеся у справності подовжувача.



ЗАСТЕРЕЖЕННЯ: Завжди вимикайте електроприлади і штепсель із розетки живлення, перш ніж проводити будь-яке налаштування, обслуговування або ремонт.

- Час роботи завжди тримайте інструмент обома руками і намагайтеся підтримувати стійке положення тіла. Електроінструмент направляється більш безпечно, якщо його тримати обома руками.
- Перед початком роботи перевіряйте відповідним металошукачем наявність прихованої електроінсталяції, газопроводу або водопровідних труб або вимагайте сприяння місцевих служб. Дотик свердла до прихованої електропроводки може викликати ураження електричним струмом. Пошкодження газопроводу може викликати вибух, а пошкодження водопроводу завдає шкоди власності або вражає електричним струмом.
- Утримуйте кабель живлення поза зоною роботи електроінструмента.
- У разі виявлення пошкодження кабелю не використовуйте електроінструмент. Якщо це станеться під час роботи, то відразу вийміть штепсель із розетки живлення. Пошкоджені кабелі підвищують ризик одержання ураження струмом.
- Завжди намагайтеся забезпечити стійке положення тіла. Під час роботи з інструментом на висоті, переконайтеся що внизу немає нікого.
- Закріпліть оброблювану деталь у ледачах або іншим відповідним способом.
- Слідкуйте за інерційним моментом під час пуску інструменту або у випадку заїдання свердла.
- Не чіпайте свердло або оброблювану деталь відразу після роботи. Вони можуть бути гарячими і можуть викликати опік шкіри.
- Дотримуйтеся гігієни на робочому місці. Змішання пилу різних матеріалів особли-

- во небезпечно. Пил із легких металів може розгорітися і вибухнути.
- Ніколи не кидайте ганчірки, ключчя, провідники або дріт поблизу робочого місця.
 - Завжди вимикайте інструмент, перш ніж покласти його у сторону.
 - Користуйтеся електроінструментом тільки за призначенням. Будь-яке інше користування, відмінне від зазначеного цією інструкцією буде вважатися неправильним. Відповідальність за будь-яке пошкодження або поранення, що настає внаслідок неправильного використання, несе споживач, а не виробник.
 - Щоб правильно використовувати цей інструмент, потрібно дотримуватися правил безпеки, загальних інструкцій і вказівок до роботи, зазначених тут. Всі споживачі повинні познайомитися з цією інструкцією з експлуатації та поінформувати про потенційні ризики під час роботи з електроінструментом. Діти і фізично слабкі люди не повинні використовувати інструмент. За дітьми необхідно постійно спостерігати, якщо вони знаходяться у зоні роботи електроінструмента. Обов'язково треба вдатися до превентивних заходів безпеки. Те ж саме відноситься і до дотримання основних правил охорони праці, здоров'я і безпеки.
 - Виробник не несе відповідальності за зміни, внесені споживачем в електроінструмент, або за пошкодження, викликані такими змінами.
 - Електроінструментом не слід користуватися під відкритим небом у дощову погоду, у вологому середовищі (після дощу) або поблизу легкозаймистих рідин і газів. Робоче місце має бути добре освітлене.

Ознайомлення з електроінструментом

До того, як розпочати роботу з електроінструментом, ознайомтеся з усіма робочими особливостями й умовами безпеки.

Використовуйте електроінструмент і його приладдя тільки за призначенням. Будь-яке інше застосування абсолютно заборонене.

1. Запобіжний гвинт (BUR150E, BUR150CET)
2. Патрон
3. Місце фіксування шпинделя
4. Шийка електродрилі

5. Перемикач робочих режимів
6. Вентиляційні отвори
7. Обмежувальна лінійка
8. Додаткова рукоятка
9. Важіль реверса (BUR 150E, BUR 150CET)
10. Електронний регулятор обертів (BUR 150E, BUR 150CET)
11. Вимикач живлення
12. Кнопка вимикача живлення
13. Регулятор моменту обертання
14. Зелений світлодіод
15. Червоний світлодіод

Вказівки щодо роботи

Цей електроінструмент живиться тільки однофазною змінною напругою. Його можна включати у розетку живлення без захисних клем, оскільки він має подвійну ізоляцію, згідно EN 60745-1 й IEC 60745. Радіоперешкоди відповідають Директиві Європейського парламенту та Ради щодо електромагнітної сумісності.

Цей електроінструмент призначений для свердління отворів у сталі, деревині, пластмасам і т.д. Передбачений ударний режим обертання, що дає можливість свердлити отвори у бетоні, гірських породах, штукатурці та в інших крихких матеріалах.

Вбудоване CET електронне управління (BUR 150CET) з регулятором моменту обертання дозволяє загвинчувати інструментом гвинти.

ПЕРЕД ПОЧАТКОМ РОБОТИ

- Перевірте відповідність напруги електричної мережі живлення зазначеним на таблиці технічним даним електроінструменту.
- Перевірте, в якій позиції знаходиться вимикач мережі. Електроінструмент повинен приєднуватися і від'єднуватися від мережі живлення тільки у відключеному положенні вимикача мережі. Якщо вставите штепсель у розетку живлення поки вимикач знаходиться у позиції "увімкнено", то привід може ввімкнутися, і це призведе до нещасного випадку.
- Переконайтеся у справності кабелю живлення і штепселя. У разі виявлення пошкодження кабелю, його заміна повинна бути виконана виробником або фахівцем фір-

мового сервісу щоб уникнути ризику його заміни.



ЗАСТЕРЕЖЕННЯ: Завжди вимикайте електроінструмент і штепсель із розетки живлення до того як провідити будь-які роботи з налаштування, ремонту або догляду за інструментом.

- Якщо зона роботи віддалена від джерела живлення, то використовуйте подовжувач, як можна коротшої довжини з відповідним перерізом.
- Переверіть, чи правильно та надійно встановлена додаткова рукоятка.



ЗАСТЕРЕЖЕННЯ: Перш ніж почати роботу завжди перевіряйте напрямок обертання. Користуйтеся важелем для зміни напрямку обертання у разі повного зупинення шпинделя. Зміна напряму без остаточної зупинки шпинделя може привести до пошкодження інструменту.

ПУСК - ЗУПИНКА

Короткочасна дія

- Пуск: натисніть на вимикач 11. Загоряється світлодіод 14 (BUR150CET).
- Зупинка: видавіть вимикач 11.

Тривала робота

- Пуск: Натисніть на вимикач 11 та у такому положенні заблокуйте його кнопкою 12.
- Зупинка: Після короткого натискання на клавішу вимикача і одразу відпустіть її.

БЕЗПОЗИЦІЙНЕ ЕЛЕКТРОННЕ РУГУЛЮВАННЯ ОБЕРТІВ (BUR 150E)

Легке натискання на клавішу вимикача 11 приводить у дію електродриль на малих обертах; по мірі підсилення натиску оберти плавно зростають до досягнення максимального значення.

ВИБІР ЧАСТОТИ ОБЕРТАННЯ (BUR 150E, BUR 150CET)

Обертанням електронного регулятора 10 за годинниковою стрілкою або проти неї вибирають необхідне значення обертів.

РЕВЕРС (BUR 150E, BUR 150CET)

Крайнє праве положення важеля 9 означає обертання за годинниковою стрілкою, а крайнє ліве – проти годинникової стрілки.

У разі натискання вимикача (11) важіль (9) не може бути задіяний. Реверс слід використовувати тільки при вімкненому інструменту.

НАЛАШТУВАННЯ МОМЕНТУ ОБЕРТАННЯ (BUR 150CET)

Момент обертання вибирають регулятором 13:

- I – вимкнення найменшого моменту обертання;
- III – вимкнення найбільшого моменту обертання.

У нормальному режимі свердління застосовують максимальний момент обертання. Не слід працювати тривалий час на малих обертах з великим моментом обертання.

СВІТЛОДІОДНА ІНДИКАЦІЯ (BUR 150CET)

Зелений світлодіод 14 – виконують роль індикатора направлення обертання шпинделя інструменту:

- горить неперервним світлом: Інструмент під'єднаний до мережі живлення, вибране правий напрям обертання шпинделя
- горить мерехтливим світлом: Інструмент під'єднаний до мережі, вибрано ліве обертання шпинделя.

Червоний світлодіод 15 – виконує роль індикатора спрацювання контролю моменту:

- горить неперервним світлом – Інструмент підключений до мережі живлення, спрацьовує контроль моменту.
 - горить мерехтливим світлом: Інструмент підключений до мережі, виник збій живлення
- Для відновлення нормального режиму роботи необхідно вимкнути, а потім знову увімкнути електроінструмент клавішею вимикача живлення.

ПЕРЕМИКАННЯ РОБОЧИХ РЕЖИМІВ

- свердління по металу, деревині та ін. Перемикач 5 у крайньому правому положенні, видно символ "свердло".
 - свердління по бетону, каменю та ін. Перемикач 5 у крайньому лівому положенні, видно символ "молоток".
- Перемикання режимів робіт можна здійснювати під час роботи інструменту.

УСТАНОВКА І ЗАТИСКАННЯ СВЕРДЛА

Для машин зі звичайним трикулачним патроном:

Повертаючи коронку патрона 2 за годинниковою стрілкою або проти неї, розводять кулачки до положення, за якого хвостовик свердла може бути встановлений у патрон. Повертаючи коронку патрона 2 за годинниковою стрілкою, кулачки захоплюють хвостовик. За допомогою спеціального ключа здійснюють остаточне захоплення, рівномірно затягуючи венець у трьох отворах.

Для інструментів, оснащених швидкозатискаючим патроном:

Утримуючи нижню коронку патрона, прокручують верхню, поки не можна буде встановити свердло. Потім вручну прокручують верхню коронку до чіткого клацання.

ДЕМОНТАЖ ПАТРОНА

Для машин зі звичайним трикулачним патроном:

Кулачки патрона 2 розводять до кінця. За допомогою викрутки відкручують запобіжний гвинт з лівосторонньою різьбою. У точці фіксації 3 шпindelь захоплюють гайковим ключем. Спеціальний ключ для захоплення свердла встановлюють в один з трьох отворів патрона та, повертаючи його проти годинникової стрілки та користуючись ключем як важелем, знімають патрон зі шпindelя.

Для інструментів зі швидкозатискаючимся патроном:

Утримуючи нижню коронку, повертають верхню до крайнього розведеного положення.

За допомогою викрутки відкручують запобіжний гвинт з лівосторонньою різьбою. У патрон встановлюють шестигранний наконечник або змінну насадку для загвинчування гвинтів. У точці фіксації 3 шпindelь захоплюють гайковим ключем та повертають патрон проти годинникової стрілки.

ВІДГВИНЧУВАННЯ І ЗАГВИНЧУВАННЯ БОЛТІВ, ГВИНТІВ І ГАЙОК (BUR 150E, BUR150CET)

Патрон 2 демонтують вказаним вище способом, після чого відповідну змінну насадку встановлюють безпосередньо на шпindelь. Перемикач режиму роботи 5 встановлюється у крайнє праве положення, так щоб повністю було видно символ "свердло". Важелем ре-

версу 9 вибирається відповідний режим - відгвинчування або загвинчування. Ці операції слід здійснювати тільки на малих обертах.



ЗАСТЕРЕЖЕННЯ: У разі загвинчування довгих болтів і гвинтів існує небезпека вислизання інструмента.

ПОРАДИ ЩОДО ЗАГВИНЧУВАННЯ ГВИНТІВ

- Використовуйте відповідні за формою та розмірами насадки;
- По м'яким дерев'яним породам гвинти можна загвинчувати і без попереднього свердління;
- По твердим дерев'яним породам рекомендується завчасно просвердити отвір меншого діаметра для гвинтів більших діаметрів;
- У разі використання гвинтів з утопленими шляпками, необхідно завчасно фрезерувати отвір;
- У разі використання гвинтів з неповною різьбою, завчасно просвердліть отвір глибиною приблизно у півгвинта.

ДОДАТКОВА РУКОЯТКА

Додаткова рукоятка 8 затягується на шийці 4 електродрилі. За допомогою обмежувачої лінійки 7 можлива фіксація глибини свердління.

РЕКОМЕНДАЦІЇ ЩОДО РОБОТИ З ЕЛЕКТРОДРИЛЮ

Використовуйте помірний натиск під час свердління по бетону (приблизно 80-100N). Значний натиск не призводить до підвищення продуктивності та значно скорочує термін експлуатації інструмента. Якщо інструмент оснащений електронним регулятором, здійснюйте свердління на обертах нижче максимальних, враховуючи оброблюваний матеріал. Застосовуйте свердла з наконечниками з твердих сплавів і циліндричними хвостовиками. Час від часу виймайте свердло з патрона для видалення пилу.

Слідкуйте за ступенем затуплення свердла та змінюйте їх у разі зниження продуктивності свердління. Не намагайтеся свердити відразу великим діаметром, просвердліть спочатку отвір меншого діаметру. Оптимальний ді-

метр свердління по бетону становить 10 mm, а можливий - до 15 mm.

ПРИЛАДДА ЕЛЕКТРОІНСТРУМЕНТУ

- Свердла по сталі діаметром від Ø3 mm до Ø13 mm
- Свердла по деревині діаметром від Ø3 mm до Ø25 mm
- Свердла по бетону діаметром від Ø3 mm до Ø15 mm
- Наконечники з приєднувальним шестигранником 6.35 mm (1/4 ") для загвинчування гвинтів

Обслуговування



ЗАСТЕРЕЖЕННЯ: Завжди вимикайте електроінструмент і витягуйте штепсель із розетки перед кожною перевіркою або здійсненням догляду.

ЗАМІНА ЩІТОК

Електроінструмент оснащений щітками, що вимикаються самостійно. Коли щітки зношуються, машина вимикається автоматично. У такому разі обидві щітки повинні бути замінені одночасно оригінальними щітками у сервісі SPARKY по гарантійному та позагарантійному обслуговуванню.

ЗАГАЛЬНА ПЕРЕВІРКА

Перевіряйте регулярно всі елементи кріплення і переконайтеся у тому, що вони міцно затягнуті. У тому випадку, якщо який-небудь гвинт послаблений, негайно затягніть його, щоб уникнути ситуацій, пов'язаних із ризиком.

Якщо кабель живлення пошкоджений, заміна повинна бути здійснена виробником або його сервісним фахівцем, щоб уникнути небезпек, пов'язаних із заміною.

ОЧИЩЕННЯ

Для безпечної роботи завжди тримайте машину і вентиляційні отвори у чистоті. Регулярно перевіряйте, чи не проникли у вентиляційні отвори електродвигуна або навколо перемикачів пил або сторонні предмети. Використовуйте м'яку щітку та/або струмінь згущеного повітря, щоб усунути пил, що на-

копичився. Для захисту очей під час прибирання носіть захисні окуляри.

Якщо корпус машини потрібно почистити, протріть його м'якою вологою ганчіркою. Можна використовувати слабкий мийний засіб.



ЗАСТЕРЕЖЕННЯ: Не допускається використання спирту, бензину або інших розчинників. Ніколи не використовуйте препарати, що роз'їдають, для чищення пластмасових частин.



ЗАСТЕРЕЖЕННЯ: Не допускається контакт води з машиною.

ВАЖЛИВО! Щоб забезпечити безпечну роботу з електроінструментом і його надійність, всі дії з ремонту, обслуговування та регулювання (включаючи перевірку і заміну щіток) слід здійснювати у спеціалізованих сервісах SPARKY з використанням тільки оригінальних запасних частин.

Гарантія

Гарантійний термін електроприладів SPARKY вказаний в гарантійній карті.

Несправності, що з'явилися в результаті природного зношування, перевантаження або неправильного користування, не входять до гарантійних зобов'язань.

Несправності, що з'явилися внаслідок застосування неякісних матеріалів та / або через виробничі помилки, усуваються без додаткової оплати шляхом заміни або ремонту.

Рекламації дефектного електроприладу SPARKY приймаються у тому випадку, якщо прилад буде повернуто постачальнику, або спеціалізованому гарантійного сервісу в не розібраному (початковому) стані.

Примітки

Уважно прочитайте всю інструкцію з експлуатації, перед тим, як приступити до використання виробу.

Виробник зберігає за собою право вносити у свої вироби поліпшення і зміни, а також змінювати специфікації без попередження.

Специфікації для різних країн можуть відрізнятися.

Съдържание

Въведение	94
Технически данни	96
Общи указания за безопасност при работа с електроинструменти	97
Допълнителни указания за безопасност при работа с бормашини	99
Запознаване с електроинструмента	A/100
Указания за работа	100
Поддръжка	103
Гаранция	104

РАЗОПАКОВАНЕ

В съответствие с общоприетите технологии на производство е малко вероятно новопридобитият от Вас електроинструмент да е неизправен или някоя от частите му да липсва. Ако забележите, че нещо не е наред, не работете с електроинструмента, докато повредената част не бъде заменена или неизправността не бъде отстранена. Неспазването на тази препоръка може да доведе до сериозна трудова злополука.

СГЛОБЯВАНЕ

Бормашината, опакована в куфар, се доставя напълно сглобена.

Бормашината, опакована в кутия, се доставя сглобена, с изключение на страничната ръкохватка.

Въведение

Новопридобитият от Вас електроинструмент SPARKY ще надхвърли Вашите очаквания. Той е произведен в съответствие с високите стандарти на качеството на SPARKY, отговарящи на строгите изисквания на потребителя. Лесен за обслужване и безопасен при експлоатация, при правилна употреба този електроинструмент ще Ви служи надеждно дълги години.

ПРЕДУПРЕЖДЕНИЕ!



Внимателно прочетете цялата инструкция за използване преди да използвате новопридобития си електроинструмент SPARKY. Обърнете специално внимание на текстовете, които започват с думата “Предупреждение”. Вашият електроинструмент SPARKY притежава много качества, които ще улеснят Вашата работа. При разработката на този електроинструмент най-голямо внимание е обърнато на безопасността, експлоатационните качества и надеждността, които го правят лесен за поддръжка и експлоатация.



Не изхвърляйте електроинструменти заедно с битовите отпадъци!

Отпадъците от електрически изделия не трябва да се събират заедно с битовите отпадъци. Моля, рециклирайте на местата, предназначени за това. Свържете се с местните власти или представител за консултация относно рециклирането.

ОПАЗВАНЕ НА ОКОЛНАТА СРЕДА



С оглед опазване на околната среда електроинструментът, принадлежностите и опаковката трябва да бъдат подложени на подходяща преработка за повторно използване на съдържащите се в тях суровини.

За облекчаване на рециклирането детайлите, произведени от изкуствени материали, са обозначени по съответния начин.

ОПИСАНИЕ НА СИМВОЛИТЕ

Върху табелката с данни на електроинструмента са означени специални символи. Те предоставят важна информация за изделието или инструкциите за неговото ползване.



Двойна изолация за допълнителна защита.



Съответства на приложимите европейски директиви.



Съответства на изискванията на регламентите на Митническия съюз.



Съответства на изискванията на украинските нормативни документи.



Запознайте се с инструкцията за използване.

YYYY-Www Период на производство, където променливи символи са:
YYYY - година на производство,
ww - поредна календарна седмица.

BU, BUR Ударна бормашина.

Технически данни

Модел	BU 150	BUR 150E	BUR 150CET
Консумирана мощност	650 W	600 W	600 W
Обороти на празен ход	2800 min ⁻¹	0-2800 min ⁻¹	500-2500 min ⁻¹
Електронно регулиране на оборотите	не	да	да
Електронно регулиране на въртящия момент	не	не	да
Смяна посоката на въртене	не	да	да
Обхват на патроника	1,5-13 mm	1,5-13 mm	1,5-13 mm
Максимален диаметър на свредлото:			
за стомана	13 mm	13 mm	13 mm
за дърво	25 mm	25 mm	25 mm
за бетон	15 mm	15 mm	15 mm
Тегло (ЕРТА процедура 01/2014)	2,0 kg	2,0 kg	2,0 kg
Клас на защита (EN 60745-1) 	II	II	II

ИНФОРМАЦИЯ ЗА ШУМ И ВИБРАЦИИ

Стойностите са измерени съгласно EN 60745.

Излъчване на шум

A-претеглено ниво на звуково налягане L _{рА}	96,0 dB (A)	96,0 dB (A)	96,0 dB (A)
Неопределеност K _{рА}	3,0 dB (A)	3,0 dB (A)	3,0 dB (A)
A-претеглено ниво на звукова мощност L _{wА}	107,0 dB (A)	107,0 dB (A)	107,0 dB (A)
Неопределеност K _{wА}	3,0 dB (A)	3,0 dB (A)	3,0 dB (A)

Използвайте средства за защита от шума!

Излъчване на вибрации *

Обща стойност на вибрациите (векторна сума по трите оси), определена съгласно EN 60745:

Ударно пробиване в бетон			
Стойност на излъчените вибрации a _{h,иD}	23,0 m/s ²	23,0 m/s ²	23,0 m/s ²
Неопределеност K _D	1,5 m/s ²	1,5 m/s ²	1,5 m/s ²
Пробиване в стомана			
Стойност на излъчените вибрации a _{h,D}	6,0 m/s ²	6,0 m/s ²	6,0 m/s ²
Неопределеност K _D	1,5 m/s ²	1,5 m/s ²	1,5 m/s ²
Завиване/Отвиване			
Стойност на излъчените вибрации a _n			<2,5 m/s ²
Неопределеност K	1,5 m/s ²	1,5 m/s ²	1,5 m/s ²

* Вибрациите са определени съгласно т. 6.2.7 на EN 60745.

Посоченото в тази инструкция ниво на вибрации е измерено в съответствие с методиката за изпитване, указана в EN 60745 и може да се използва за сравняване на електроинструменти. Нивото на вибрации може да се използва за предварителна оценка на степента на въздействие. Декларираното ниво на вибрации се отнася за основното предназначение на електроинструмента. В случаите, при които електроинструментът се използва за друго предназначение, с други принадлежности или ако електроинструментът не се поддържа добре, нивото на вибрации може да различава от посоченото. В тези случаи нивото на въздействие може значително да нарасне в границите на общия период на работа.

При оценката на нивото на въздействие на вибрации трябва също да се отчита времето, през което електроинструментът е изключен или е включен, но не се използва. Това може значително да понижи нивото на въздействие в границите на общия период на работа.

Поддържайте електроинструмента и принадлежностите в добро състояние. Пазете ръцете си топли по време на работа - това ще намали вредното въздействие при работа с повишени вибрации.

Прахът, отделян при обработването на материали като оловосъдържащи бои, някои видове дървесина, минерали и метали, може да бъде опасен за здравето. Допирът или вдишването на праха може да предизвика алергични реакции и/или заболявания на дихателните пътища на оператора или на намиращи се в близост лица.

Някои видове прах, например от дъб или бук, се считат за канцерогенни, особено в комбинация с добавки за обработка на дървесина (хромат, консерванти). Материал, който съдържа азбест, трябва да се обработва само от специалисти.

- Когато това е възможно, използвайте прахоотвеждане.
- Осигурете добра вентилация на работното място.
- Препоръчва се използването на защитна маска за прах с филтър клас P2.

Спазвайте действащите във вашата страна разпоредби за обработване на съответните материали.

Общи указания за безопасност при работа с електроинструменти



ПРЕДУПРЕЖДЕНИЕ! Четете всички предупреждения и указания за безопасност. Неспазването на предупрежденията и указанията за безопасност може да предизвика поражение от електрически ток, пожар и/или сериозно нараняване.

Запазете всички предупреждения и указания за бъдещо ползване.

Терминът “електроинструмент” във всички описани по-долу предупреждения се отнася до вашия електроинструмент, захранван от мрежата (с шнур) и/или електроинструмент, захранван от акумулаторна батерия (без шнур).

1) Безопасност на работното място

- а) Поддържайте работното място чисто и добре осветено. Безпорядъкът и недостатъчното осветление са предпоставка за трудови злополуки.
- б) Не работете с електроинструменти в експлозивни атмосфери при наличие на запалими течности, газове или прах. Електроинструментите образуват искри, които могат да възпламенят праха или парите.
- в) Дръжте децата и страничните лица на разстояние, когато работите с електроинструмент. Разсейването може да доведе до загуба на контрол от Ваша страна.

2) Електрическа безопасност

- а) Щепселите на електроинструментите трябва да съответстват на контактите. Никога не променяйте щепсела по

каквото и да било начин. Не използвайте каквито и да са адаптерни щепсели за електроинструменти със защитно заземяване. Употребата на непроменени щепсели и съответстващите им контакти намалява риска за поражение от електрически ток.

- б) Избягвайте допир на тялото до земя или до заземени повърхности, такива като тръби, радиатори, кухненски печки и хладилници. Ако тялото ви е заземено, съществува повишен риск от поражение от електрически ток.
- в) Не излагайте електроинструментите надъжд или във влажна среда. Проникването на вода в електроинструмента повишава риска от поражение от електрически ток.
- г) Използвайте шнура по предназначение. Никога не използвайте шнура за носене на електроинструмента, опъване или изваждане на щепсела от контактното гнездо. Дръжте шнура далече от топлина, масло, остри ръбове или движещи се части. Увредени или оплетени шнурове повишават риска за поражение от електрически ток.
- д) При работа с електроинструмента на открито, използвайте удължител, подходящ за работа на открито. Използването на удължител, подходящ за работа на открито, намалява риска от поражение от електрически ток.
- е) Ако работата с електроинструмента във влажна среда е неизбежна, използвайте предпазно устройство, задействано от остатъчен ток, за прекъсване на захранването. Използването на предпазно устройство намалява риска от поражение от електрически ток.

3) Лична безопасност

- а) Бъдете бдителни, работете с повишено внимание и проявявайте благоразумие, когато работите с

електроинструмент. Не използвайте електроинструмента, когато сте уморени или под влияние на наркотици, алкохол или медикаменти. Момент на невнимание при работа с електроинструмент може да предизвика сериозна трудова злополука.

- b) **Използвайте лични предпазни средства.** Носете винаги средства за защита на очите. Лични предпазни средства, като маска против прах, неплъзгащи се безопасни обувки, защитен шлем или средства за защита на слуха, използвани при конкретните условия, намаляват риска от трудови злополуки.
 - c) **Избягвайте неволно пускане.** Убедете се, че прекъсвачът е в изключено положение преди включване към източник на захранване и/или акумулаторна батерия, преди да го вземете или пренасяте. Носенето на електроинструмент с пръст върху прекъсвача или свързването към източник на захранване на електроинструмент с прекъсвач във включено положение е предпоставка за трудова злополука.
 - d) **Отстранете всеки ключ за затягане или гаечен ключ преди включване на електроинструмента.** Ключ за затягане или гаечен ключ, прикрепен към въртяща се част на електроинструмента, може да предизвика трудова злополука.
 - e) **Не се пресягайте.** Поддържайте правилен строеж и равновесие през цялото време. Това позволява по-добро управление на електроинструмента при неочаквани ситуации.
 - f) **Носете подходящо работно облекло.** Не носете широки дрехи или бижута. Дръжте косите си, дрехите и ръкавиците далеч от движещи се части. Широки дрехи, бижута или дълги коси могат да се захванат от движещи се части.
 - g) **Ако електроинструментът е снабден с приспособления за засмукване и улавяне на прах,** убедете се, че те са свързани и правилно използвани. Използването на тези устройства може да намали свързаните с прах опасности.
- 4) **Използване и грижи за електроинструментите**
- a) **Не претоварвайте електроинструмента.** Използвайте правилно избрания

електроинструмент според приложението. Правилно избраният електроинструмент работи по-добре и по-безопасно при обявения режим на работа, за който е проектиран.

- b) **Не използвайте електроинструмента, ако прекъсвачът не превключва във включено и изключено положение.** Всеки електроинструмент, който не може да бъде управляван с прекъсвач, е опасен и трябва да бъде ремонтиран.
- c) **Разединете щепсела от захранващата мрежа преди да извършите всякакви настройки, преди замяна на принадлежности или преди да приберете електроинструмента за съхранение.** Тези предпазни мерки за безопасност намаляват риска от неволно пускане на електроинструмента.
- d) **Съхранявайте неизползваните електроинструменти на места, недостъпни за деца и не позволявайте на обслужващи лица, които не познават електроинструмента или не са запознати с тези инструкции, да работят с него.** Електроинструментите са опасни в ръцете на необучени потребители.
- e) **Поддържайте електроинструментите.** Проверявайте движещите се части дали функционират нормално и се движат свободно, целостта и изправността на частите, както и за всякакво друго обстоятелство, което може неблагоприятно да повлияе на работата на електроинструмента. Ако е повреден, електроинструментът трябва да бъде ремонтиран преди по-нататъшно използване. Много злополуки са причинени от лошо поддържани електроинструменти.
- f) **Поддържайте режещите инструменти остри и чисти.** Правилно поддържаните режещи инструменти с остри режещи ръбове е по-малко вероятно да блокират и са по-лесни за управление.
- g) **Използвайте електроинструмента, принадлежностите и частите на инструмента и т.н. в съответствие с тези инструкции и по начин, предвиден за конкретния тип електроинструмент, като вземате предвид работните условия и работата, която трябва да се извършва.** Използването на електроинструмента за работа, различна от тази, за която е проектиран,

може да предизвика опасна ситуация.

5) Обслужване

- а) Поддържайте вашата електроинструмент при квалифициран специалист по ремонта, като използвате само оригиналните резервни части. Това осигурява запазването на безопасността на електроинструмента.

Допълнителни указания за безопасност при работа с бормашини



Използвайте средства за защита на слуха при работа с ударни бормашини. Интензивният шум по време на работа може да предизвика слухови увреждания.

- Винаги използвайте допълнителната ръкохватка, доставена с машината. Загубата на контрол може да предизвика трудова злополука.



По време на работа използвайте средства за защита на зрението, за да се предпазите от хвърчащи частици. Носете защитни очила.



Вземете предпазни мерки срещу вдишване на прах. Някои материали могат да съдържат токсични съставки. Носете прахозащитна маска. Използвайте устройство за прахоотвеждане, ако е възможно присъединяването му към електроинструмента.

- Дръжте електроинструмента само за изолираните повърхности за захващане когато извършвате операция, при която режещата принадлежност може да допре до скрита ел.инсталация или до собствения шнур. Допирът на режещата принадлежност до проводник под напрежение ще постави откритите метални части на електроинструмента под напрежение и операторът ще получи токов удар.
- Не обработвайте материали, съдържащи азбест. Азбестът се счита за канцерогенно вещество.



ПРЕДУПРЕЖДЕНИЕ: Преди да свържете електроинструмента към захранващата мрежа, убедете се че захранващото напрежение отговаря на посоченото върху табелката с технически данни на електроинструмента.

- Източник на захранване с напрежение, по-високо от посоченото за електроинструмента, може да предизвика както сериозно поражение от електрически ток върху оператора, така и повреда на електроинструмента.
- Ако имате някакви колебания, не поставяйте щепсела на електроинструмента в контактното гнездо.
- Използването на източник на захранване с напрежение, по-ниско от обозначеното върху табелката на електроинструмента, ще увреди електродвигателя.
- За да се предотврати евентуално прегряване, винаги развивайте докрай кабела от удължител с кабелен барабан.
- Когато се налага използването на удължител, убедете се, че сечението му отговаря на номиналния ток на използвания електроинструмент, както и в изправността на удължителя.



ПРЕДУПРЕЖДЕНИЕ: Винаги изключвайте електроинструмента и изваждайте щепсела от контакта преди извършване на всякаква настройка, обслужване или поддръжка.

- Докато работите винаги дръжте машината здраво с двете си ръце и поддържайте стабилно положение на тялото. Електроинструментът се направлява безопасно, когато го дръжите с две ръце.
- Преди започване на работа проверявайте с подходящ металотърсач за наличието на скрита електроинсталация, газопровод или водопровод или потърсете съдействие от съответните местни служби. Допирът на свредлото до скрита електроинсталация може да предизвика пожар и поражение от електрически ток. Повредата на газопровод може да предизвика експлозия. Пробиването на водопровод ще предизвика повреда на собственост или поражение от електрически ток.

- Дръжте захранващия кабел извън работния обсега на машината.
- Не използвайте електроинструмента с повреден кабел. Не докосвайте повредения кабел и извадете щепсела от контакта, ако кабелът се повреди по време на работа. Повредените кабели повишават риска от токов удар.
- Винаги поддържайте стабилно положение на тялото си. Когато работите с електроинструмента на височина, убедете се, че под вас няма никой.
- Фиксирайте обработвания детайл в менгеме или по друг подходящ начин.
- Следете инерционния момент при пускане на бормашината или при заклиняване на свредлото.
- Не докосвайте свредлото или обработвания детайл веднага след работа. Те могат да бъдат много горещи и да предизвикат изгаряне на кожата.
- Поддържайте чисто работното място. Смесването на прах от различни материали е особено опасно. Прахът от леки метали може да гори или експлодира.
- Никога не оставяйте парцали, кълчища, проводници или тел в близост до работното място.
- Винаги изключвайте машината преди да я оставите настрана.
- Електроинструментът трябва да се използва само по предназначение. Всякаква друга употреба, различаваща се от описаната в тази инструкция, ще се счита за неправилна употреба. Отговорността за всякаква повреда или нараняване, произтичащи от неправилна употреба, ще се носи от потребителя, а не от производителя.
- За да експлоатирате правилно този електроинструмент, трябва да съблюдавате правилата за безопасност, общите инструкции и указанията за работа, посочени тук. Всички потребители трябва да са запознати с тази инструкция за експлоатация и информирани за потенциалните рискове при работата с електроинструмента. Деца и физически слаби хора не трябва да използват електроинструмента. Децата трябва да бъдат под непрекъснато наблюдение ако се намират в близост до място, където се работи с електроинструмента. Задължително е да предприемете и превантивни мерки за безопасност. Същото се отнася и за спазването на основните правила за професионалното здраве и безопасност.
- Производителят не носи отговорност за

извършени от потребителя промени върху електроинструмента или за повреди, предизвикани от подобни промени.

- Електроинструментът е предназначен за работа в помещения и зони с нормална пожарна опасност съгласно "НАРЕДБА № 13-1971 за строително-технически правила и норми за осигуряване на безопасност при пожар". Не се допуска използването му във взривоопасна и пожароопасна среда, при температура на околния въздух над 40°C, в особено влажна среда, при наличие на валежи и в химически активна среда. Работното място трябва да е добре осветено.

Запознаване с електроинструмента

Преди да започнете да работите с електроинструмента се запознайте с всички оперативни особености и условия за безопасност.

Използвайте електроинструмента и принадлежностите му само по предназначение. Всяко друго приложение е изрично забранено.

1. Осигуряващ винт (BUR150E, BUR150CET)
2. Патронник
3. Място за фиксиране на вретеното
4. Шийка на бормашината
5. Превключвател на работните режими
6. Вентилационни отвори
7. Ограничителна линия
8. Допълнителна ръкохватка
9. Лост за смяна посоката на въртене (BUR 150E, BUR 150CET)
10. Електронен регулатор на оборотите (BUR 150E, BUR 150CET)
11. Прекъсвач
12. Бутон за застопоряване на прекъсвача
13. Регулатор на въртящия момент (BUR 150CET)
14. Зелен светодиод
15. Червен светодиод

Указания за работа

Този електроинструмент се захранва само с еднофазно променливо напрежение. Може да се присъединява към контакти без защитни клеми, тъй като е с двойна изолация съгласно EN 60745-1 и IEC 60745. Радиосмущенията съответстват на Директивата за електро-

магнитна съвместимост.

Този електроинструмент е предназначен за пробиване на отвори в стомана, дърво, пластмаса и др. Предвиденият ударно-въртелив режим позволява пробиване на отвори в бетон, камък, зидария и други крехки материали.

Вграденото СЕТ електронно управление (BUR 150CET), с регулатор на въртящия момент, позволява използване на машината за завиване на винтове.

ПРЕДИ ДА ЗАПОЧНЕТЕ РАБОТА

- Проверете дали напрежението на електрическата мрежа отговаря на това, означено върху табелката с технически данни на електроинструмента.
- Проверете в какво положение се намира прекъсвачът. Електроинструментът трябва да се присъединява и отделя от захранващата мрежа само при изключен прекъсвач. Ако поставите щепсела в контакт докато прекъсвачът е във включено положение, електроинструментът веднага ще се задейства, което е предпоставка за злополука.
- Убедете се в изправността на захранващия кабел и щепсел. Ако захранващият кабел е повреден, замяната трябва да се извърши от производителя или от негов сервизен специалист, за да се избегнат опасностите от замяната.



ПРЕДУПРЕЖДЕНИЕ: Винаги изключвайте електроинструмента и изваж-дайте щепсела от контакта преди извършване на всякава настройка, обслужване или поддръжка.

- Ако зоната на работа е отдалечена от източника на захранване, използвайте колкото е възможно по-къс удължител с подходящо сечение.
- Проверете дали допълнителната ръкохватка е правилно поставена и надеждно затегната.



ПРЕДУПРЕЖДЕНИЕ: Преди да започнете работа, винаги проверявайте посоката на въртене. Използвайте лоста за смяна посоката на въртене само след като вретеното е напълно спряло да се върти. Промяна на посоката на въртене преди окончателното спиране на вретеното може да повреди електроинструмента.

ПУСКАНЕ - СПИРАНЕ

Кратковременно задействане

- Пускане: Прекъсвач 11 се натиска. Светва светодиода 14 (BUR150CET).
- Спиране: Прекъсвач 11 се отпуска.

Продължителна работа

- Пускане: Прекъсвач 11 се натиска и в натиснато състояние се застопорява с бутон 12.
- Спиране: Прекъсвач 11 се натиска еднократно и се отпуска веднага.

БЕЗСТЕПЕННО ЕЛЕКТРОННО РЕГУЛИРАНЕ НА ОБОРОТИТЕ (BUR 150E)

Леко натискане на прекъсвача 11 предизвиква задействане на бормашината на ниски обороти, които плавно се увеличават до максимални с увеличаване на натиска върху прекъсвача до достигане на крайно положение.

ИЗБОР НА ОБОРОТИТЕ (BUR 150E, BUR 150CET)

Чрез завъртане на електронния регулатор 10 по посока на часовниковата стрелка или обратно се избират необходимите обороти.

СМЯНА ПОСОКАТА НА ВЪРТЕНЕ (BUR 150E, BUR 150CET)

Крайно дясно положение на лоста 9 означава въртене по посока на часовниковата стрелка, а крайно ляво - обратна на нея.

При натиск на прекъсвача 11 лостът 9 не може да бъде задействан. Смяната на посоката на въртене да става само в покой на бормашината.

НАСТРОЙВАНЕ НА ВЪРТЯЩИЯТ МОМЕНТ (BUR 150CET)

Въртящият момент се избира с регулатора на въртящия момент 13:

- I - най малък изключващ въртящ момент;
- III - най голям изключващ момент.

При нормален режим на пробиване да се използва максималния въртящ момент. Да не се работи продължително време при ниски обороти и висок въртящ момент.

СВЕТОДИОДНА ИНДИКАЦИЯ (BUR 150CET)

Зелен светодиод 14 - изпълнява ролята на

индикатор за посоката на въртене на вретено-ното на електроинструмента:

- свети постоянно: Машината е включена в мрежата, избрана е дясна посока на въртене на шпиндела.

- свети с мигаща светлина : Машината е включена в мрежата, избрана е лява посока на въртене.

Червен светодиод 15 - изпълнява ролята на индикатор за сработване на контрола на момента:

- свети непрекъснато: Машината е включена в мрежата, сработило е устройството за контролиране на момента.

- свети с мигаща светлина: Машината е включена в мрежата, прекъсвало е захранващото напрежение.

За да се възстанови нормалното функциониране е необходимо електроинструментът да се изключи и след това отново да се включи от пусковия прекъсвач.

ПРЕВКЛЮЧВАНЕ НА РАБОТНИТЕ РЕЖИМИ

- пробиване на отвори в метал, дърво и др.

Превключвателят 5 е в крайно дясно положение и се вижда символът "свредло".

- пробиване на отвори в бетон, камък и др.

Превключвателят 5 е в крайно ляво положение и се вижда символът "чук".

Превключването на работните режими може да става и при работеща бормашина.

ПОСТАВЯНЕ И ЗАТЯГАНЕ НА СВРЕДЛО

При машини с патронник с ключ:

Посредством завъртане на короната на патронника 2 в посока на часовниковата стрелка или обратно челюстите му се придвижват до такова положение, че опашката на свредлото да влезе между тях. Чрез завъртане на короната на патронника 2 в посока на часовниковата стрелка челюстите захващат опашката на свредлото. Със специалния ключ свредлото се затяга окончателно в патронника чрез равномерно завъртане в трите отвора.

При машини с бързостягащ патронник:

Задържа се задната корона на патронника и се завърта предната корона докато патронникът се разтвори достатъчно, за да се постави свредлото. След това се затяга с ръка предната корона, при което се чува отчетлив звук.

ДЕМОНТИРАНЕ НА ПАТРОННИКА

При машини с патронник с ключ

Челюстите на патронника 2 се отварят до край. С помощта на отвертка се отвива осигурителния винт с лява резба. Мястото за фиксиране на вретеното 3 се захваща с гаечен ключ. Специалният ключ за затягане на патронника се поставя в един от трите отвора и с въртене в посока, обратна на часовниковата стрелка, използвайки ключа за лост, се отвива патронникът 2 от вретеното на бормашината.

При машини с бързостягащ патронник

Задържа се задната корона на патронника и се завърта предната корона, докато патронникът се разтвори докрай.

С помощта на отвертка се отвива осигурителния винт с лява резба. В патронника се поставя шестостенен накрайник или приспособлението за завиване на винтове, и се затяга . Мястото за фиксиране на вретеното 3 се захваща с гаечен ключ и патронникът се върти в посока, обратна на часовниковата стрелка, чрез свободния край на накрайника.

ОТВИВАНЕ И ЗАВИВАНЕ НА БОЛТОВЕ, ВИНТОВЕ И ГАЙКИ. (BUR 150E, BUR150CET)

Патронникът 2 се демонтира по гореописания начин и съответното приспособление за завиване или отвиване на болтове, гайки или винтове се монтира директно в шпиндела. Превключвателят 5 на работните режими се поставя в крайно дясно положение, така че изцяло да се вижда символът "свредло". С лоста 9 за смяна посоката на въртене се избира операцията отвиване или завиване. Операциите да се извършват само при ниски обороти.



ПРЕДУПРЕЖДЕНИЕ: При завиване на дълги болтове и винтове съществува опасност от изплъзване на бормашината.

СЪВЕТИ ЗА ЗАВИВАНЕ НА ВИНТОВЕ

- Да се използват накрайници за завиване, подходящи по форма и големина;
- В меко дърво подходящите винтове могат да се завиват без предварително пробиване;

- В твърдо дърво се пробива предварително отвор за винтовете с по-големи диаметри;
- При винтове със скрити глави отворът да се зенкерова;
- При винтове за дърво с непроходима резба се пробива предварително около половината дължина от винта.

ДОПЪЛНИТЕЛНА РЪКОХВАТКА

Допълнителната ръкохватка 8 се затяга на шийката 4 на бормашината. Посредством ограничителна линия 7 може да се фиксира дълбочината на пробиваните отвори.

ПРЕПОРЪКИ ПРИ РАБОТА С БОРМАШИНАТА

Прилагайте умерен натиск при пробиване в бетон (приблизително 80-100N). Големият натиск не повишава производителността при пробиване и води до намаляване живота на машината. При машините с електронен регулатор пробивайте с обороти, по ниски от максималните, като подбирате оборотите в зависимост от материала.

Ползвайте свредла с твърдосплавни пластини и цилиндрична опашка. От време на време изваждайте свредлото от отвора, за да се отстрани прахта.

Да се следи степента на затъпяване на свредлото и да се сменя, когато се забележи значително намаляване на производителността. Не пробивайте веднага с голям диаметър, най-напред пробийте с по малко свредло. Оптималният обхват при пробиване в бетон е до 10 mm, възможният обхват е до 15 mm.

ПРИНАДЛЕЖНОСТИ, КОИТО МОГАТ ДА БЪДАТ ИЗПОЛЗВАНИ С ТОЗИ ЕЛЕКТРОИНСТРУМЕНТ

- Свредла за метал с диаметър от Ø3 mm до Ø13 mm
- Свредла за дърво с диаметър от Ø3 mm до Ø25 mm
- Свредла за бетон с диаметър от Ø3 mm до Ø15 mm
- Накрайници с присъединителен шестостен 6.35 mm (1/4") за завиване на винтове.

Поддръжка



ПРЕДУПРЕЖДЕНИЕ: Винаги изключвайте електроинструмента и изваждайте щепсела от контакта преди всякаква проверка или поддръжка.

ПОДМЯНА НА ЧЕТКИТЕ

Електроинструментът е снабден със самоизключващи се четки. Когато четките се износват, двете четки трябва да се подменят едновременно с оригинални четки в сервиз на SPARKY за гаранционна и извънгаранционна поддръжка.

ОБЩА ПРОВЕРКА

Проверявайте редовно всички крепежни елементи и се уверете, че те са здраво притегнати. В случай, че някой от винтовете се е разхлабил, го затегнете незабавно, за да избегнете рискови ситуации.

Ако охранващият кабел е повреден, замената трябва да се извърши от производителя или негов сервизен специалист, за да се избегнат опасностите от замената.

ПОЧИСТВАНЕ

За безопасна работа поддържайте винаги чисти машината и вентилационните отвори. Редовно проверявайте дали във вентилационната решетка близо до електродвигателя или около превключвателите не е проникнал прах или чужди тела. Използвайте мека четка за да отстраните събрания се прах. За да предпазите очите си, по време на почистването носете защитни очила.

Ако корпусът на машината се нуждае от почистване, избършете го с мека влажна кърпа. Може да се използва слаб препарат за миене.



ПРЕДУПРЕЖДЕНИЕ: Не се допуска употребата на спирт, бензин или други разтворители. Никога не използвайте разяждащи препарати за почистване на пластмасовите части.



ПРЕДУПРЕЖДЕНИЕ: Не се допуска влизането на вода в контакт с машината.

ВАЖНО! За да се осигури безопасната работа с електроинструмента и неговата надеждност, всички дейности по ремонта, поддръжката и регулирането (включително проверката и подмяната на четките) трябва да се извършват в оторизираните сервиси на SPARKY с използване само на оригинални резервни части.

Гаранция

Гаранционният срок на електроинструментите SPARKY се определя в гаранционна карта.

Неизправности, появили се в следствие на естествено износване, претоварване или неправилна експлоатация, се изключват от гаранционните задължения.

Неизправности, появили се в следствие на влагане на некачествени материали и/или производствени грешки, се отстраняват без допълнително заплащане чрез замяна или ремонт.

Рекламация на дефектирал електроинструмент SPARKY се признава, когато машината се върне на доставчика или се представи на оторизиран гаранционен сервиз в неразглобено (първоначално) състояние.

Забележки

Внимателно прочетете цялата инструкция за експлоатация преди да използвате това изделие.

Производителят си запазва правото да въвежда подобрения и промени в своите изделия и да променя спецификациите без предупреждение.

Спецификациите могат да се различават за отделните страни.