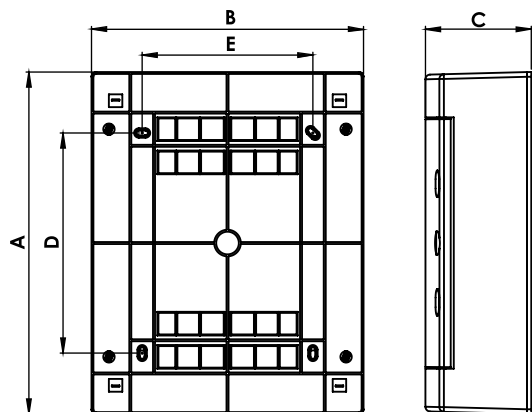


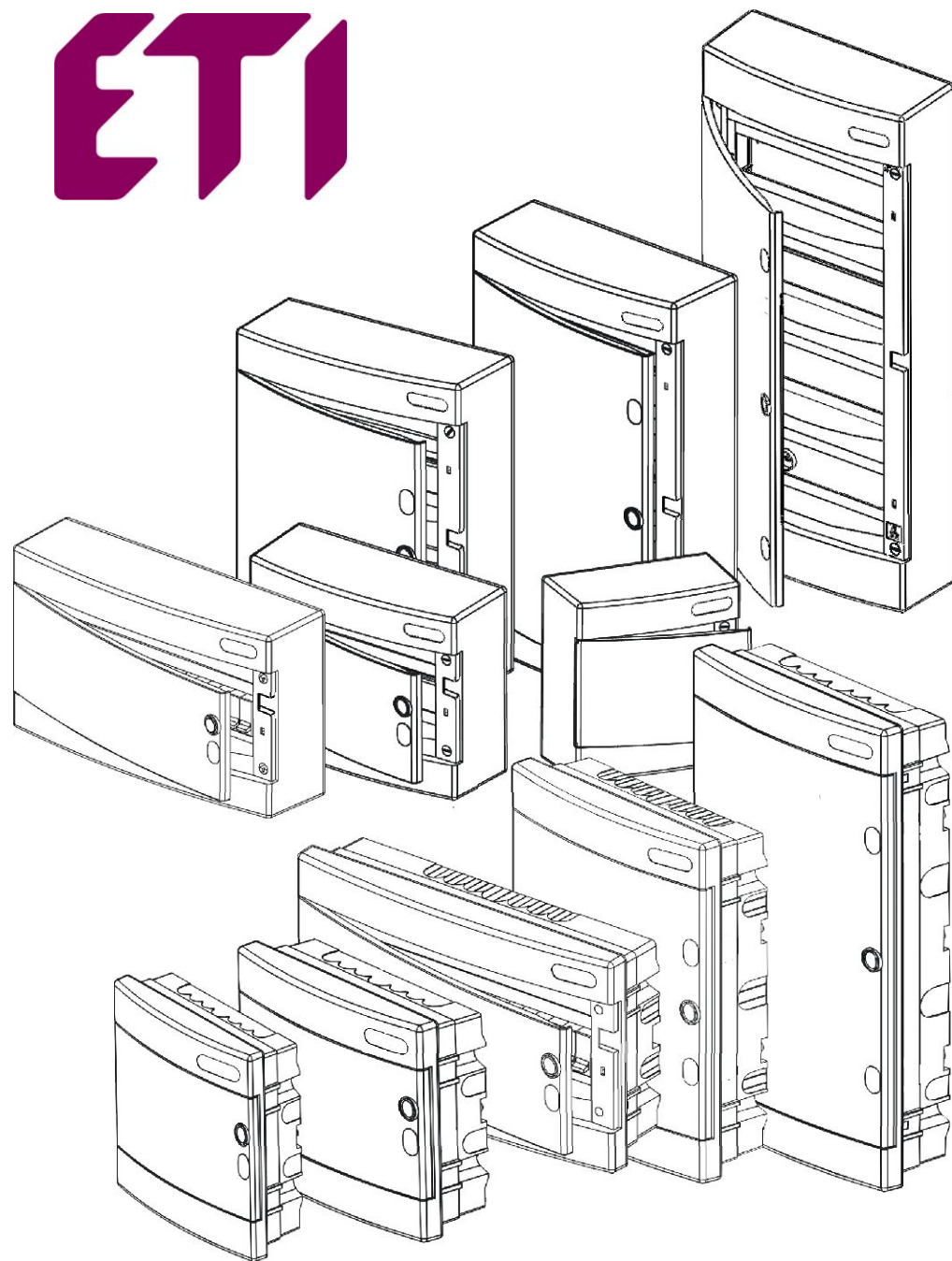
	A	B	C	D	E	F	G	Pde
ECM8PT / ECM8PO	212 mm	201 mm	68 mm	-	211 mm	232 mm	99 mm	14 W
ECM12PT / ECM12PO	212 mm	273 mm	68 mm	-	283 mm	232 mm	106 mm	22 W
ECM18PT / ECM18PO	212 mm	373 mm	68 mm	-	392 mm	232 mm	106 mm	22 W
ECM24PT / ECM24PO	336 mm	273 mm	68 mm	125 mm	283 mm	357 mm	106 mm	24 W
ECM2x18PT / ECM2x18PO	336 mm	373 mm	68 mm	125 mm	392 mm	357 mm	106 mm	26 W
ECM36PT / ECM36PO	460 mm	273 mm	68 mm	125 mm	283 mm	482 mm	106 mm	26 W
ECM3x18PT / ECM3x18PO	502 mm	373 mm	68 mm	125 mm	392 mm	522 mm	106 mm	26 W



	A	B	C	D	E	Pde
ECT8PT / ECT8PO	236 mm	215 mm	102 mm	107 mm	120 mm	14 W
ECT12PT / ECT12PO	236 mm	287 mm	112 mm	107 mm	180 mm	22 W
ECT18PT / ECT18PO	236 mm	396 mm	112 mm	107 mm	289 mm	22 W
ECT24PT / ECT24PO	361 mm	287 mm	112 mm	232 mm	180 mm	24 W
ECT2x18PT / ECT2x18PO	361 mm	396 mm	112 mm	232 mm	289 mm	26 W
ECT36PT / ECT36PO	526 mm	287 mm	112 mm	357 mm	180 mm	28 W
ECT48PT / ECT48PO	652 mm	287 mm	112 mm	482 mm	180 mm	28 W
ECT3x18PT / ECT3x18PO	526 mm	396 mm	112 mm	357 mm	289 mm	28 W

Temperature range: -25°C ... +60 °C, Rating Voltage: AC 400 V, According to: IEC 60670

# ETI



ETI Elektroelement d.o.  
Obrezija 5  
1411 Izlake

ETI Polam Sp.z.o.o.  
ul. Solna 3  
06-100 Pultusk  
Polska

