

# Tefal®

EN

RU

UK

KK



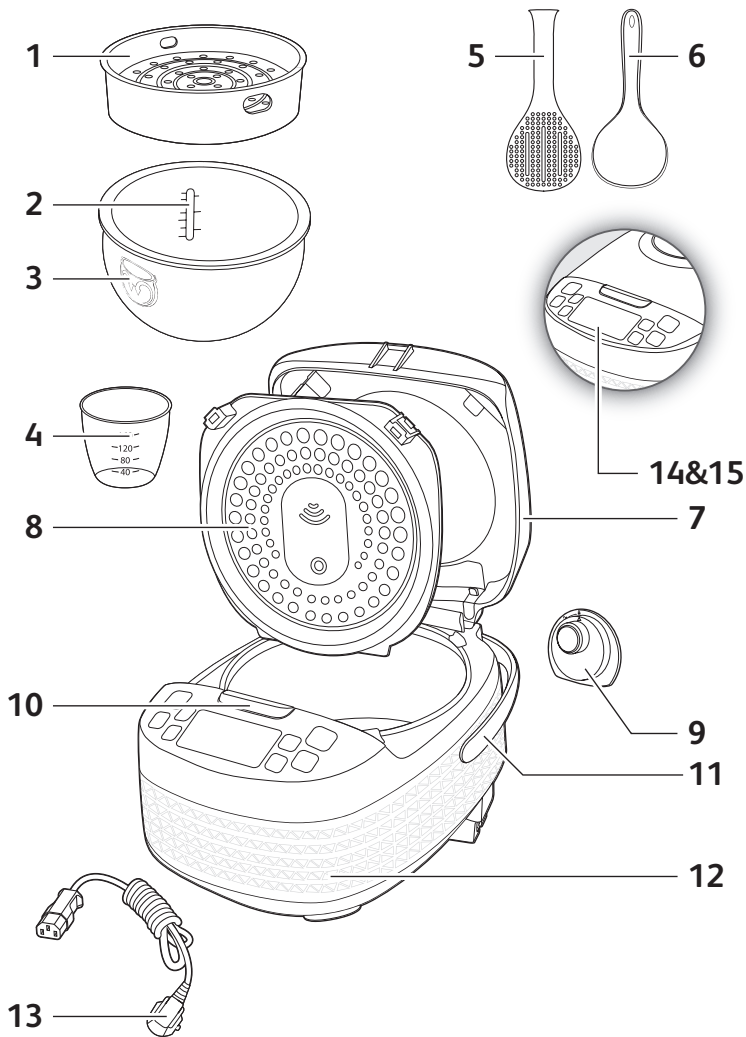




Fig.1



Fig.2



Fig.3a

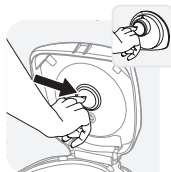


Fig.3b



Fig.4



Fig.5



Fig.6

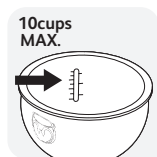


Fig.7



Fig.8



Fig.9



Fig.10



Fig.11



Fig.12



Fig.13



Fig.14



Fig.15

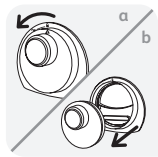


Fig.16

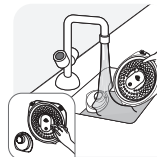


Fig.17

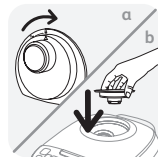
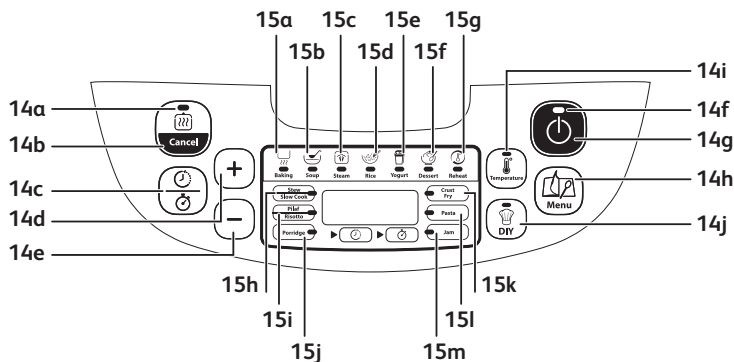


Fig.18



Fig.19

## CONTROL PANEL



## DESCRIPTION


- |    |                                |    |                         |
|----|--------------------------------|----|-------------------------|
| 1  | Steam basket                   | f  | “Start” indicator       |
| 2  | Graduation for water and rice  | g  | “Start” key             |
| 3  | Removable bowl                 | h  | “Menu” key              |
| 4  | Measuring cup                  | i  | “Temperature” key       |
| 5  | Rice spoon                     | j  | “DIY” key               |
| 6  | Soup spoon                     | 15 | Function indicators     |
| 7  | Lid                            | a  | Baking function         |
| 8  | Removable inner lid            | b  | Soup function           |
| 9  | Micro pressure valve           | c  | Steam function          |
| 10 | Lid opening button             | d  | Rice function           |
| 11 | Handle                         | e  | Yogurt function         |
| 12 | Housing                        | f  | Dessert function        |
| 13 | Power cord                     | g  | Reheat function         |
| 14 | Control Panel                  | h  | Stew/Slow Cook function |
| a  | “Keep warm / Cancel” indicator | i  | Pilaf/Risotto function  |
| b  | “Keep warm / Cancel” key       | j  | Porridge function       |
| c  | “Preset / Timer” key           | k  | Crust/Fry function      |
| d  | “+” key                        | l  | Pasta function          |
| e  | “-” key                        | m  | Jam function            |

**Read and follow the instructions for use. Keep them safe.**

- This appliance is not intended to be operated by means of an external timer or a separate remote-control system.
- This appliance can be used by children aged from 8 years and above if they have been given supervision or instruction concerning use of the appliance in a safe way and if they understand the hazards involved. Cleaning and user maintenance shall not be made by children unless they are older than 8 years and supervised. Keep the appliance and its cord out of reach of children aged less than 8 years.
- Appliances can be used by persons with reduced physical, sensory or mental capabilities or lack of experience and knowledge if they have been given supervision or instruction concerning use of the appliance in a safe way and understand the hazards involved.
- Children shall not play with the appliance.
- This appliance is not intended for use by persons (including children) with reduced physical, sensory

or mental capabilities, or lack of experience and knowledge, unless they have been given supervision or instruction concerning use of the appliance by a person responsible for their safety.

- Children should be supervised to ensure that they do not play with the appliance.
- As this appliance is for household use only, it is not intended for use in the following applications and the guarantee will not apply for:
  - Staff kitchen areas in shops, offices and other working environments
  - Farm houses
  - By clients in hotels, motels and other residential type environments
  - Bed and breakfast type environments
- **If your appliance is fitted with a removable power cord:** if the power cord is damaged, it must be replaced by a special cord or unit available from a authorised service centre.
- **If your appliance is fitted with fixed power cord:** if the power supply cord is damage, it must be replaced by the manufacturer, the manufacturer's after-sales service department or similarly qualified person in order to avoid any danger.

- The appliance must not be immersed in water or any other liquid.
- Use a damp cloth or sponge with diswashing liquid to clean the accessories and parts in contact with foodstuff. Rinse with a damp cloth or sponge. Drying accessories and parts in contact with food with a dry cloth.
- If the symbol  is marked on the appliance, this symbol means “ Caution: surfaces may become hot during use ”.
- Caution: the surface of heating element is subject to residual heat after use.
- Caution: risk of injury due to improper use of the appliance.
- Caution: if your appliance has a removable power cord, do not spill liquid on the connector.
- Always unplug the appliance:
  - immediately after use
  - when moving it
  - prior to any cleaning or maintenance
  - if it fails to function correctly
- Burns can occur by touching the hot surface of the appliance, the hot water, steam or the food.
- During cooking, the appliance gives out heat and steam. Keep face and hands away.

- Do not get face and hands close to the steam outlet. Do not obstruct the steam outlet.
- For any problems or queries please contact our Customer Relations Team or consult our web site.
- The appliance can be used up to an altitude of 4000 m.
  
- For your safety, this appliance complies with the safety regulations and directives in effect at the time of manufacture (Low-voltage Directive, Electromagnetic Compatibility, Food Contact Materials Regulations, Environment...).
- Check that the power supply voltage corresponds to that shown on the appliance (alternating current).
- Given the diverse standards in effect, if the appliance is used in a country other than that in which it is purchased, have it checked by an approved service centre.

## CONNECTING TO THE POWER SUPPLY

- Do not use the appliance if:
  - the appliance or the cord is damaged
  - the appliance has fallen or shows visible damage or does not work properly
  - In the event of the above, the appliance must be sent to an approved Service Centre. Do not take the appliance apart yourself.
- Do not leave the cord hanging
- Always plug the appliance into an earthed socket.
- Do not use an extension lead. If you accept liability for doing so, only use an extension lead which is in good condition, has an earthed plug and is suited to the power of the appliance.
- Do not unplug the appliance by pulling on the cord.

## USING

- Use a flat, stable, heat-resistant work surface away from any water splashes.



- Do not allow the base of the appliance to come into contact with water
- Never try to operate the appliance when the bowl is empty or without the bowl.
- The cooking function/knob must be allowed to operate freely. Do not prevent or obstruct the function from automatically changing to the keep warm function.
- Do not remove the bowl while the appliance is working.
- Do not put the appliance directly onto a hot surface, or any other source of heat or flame, as it will cause a failure or danger.
- The bowl and the heating plate should be in direct contact. Any object or food inserted between these two parts would with the correct operation.
- Do not place the appliance near a heat source or in a hot oven, as serious damage could result.
- Do not put any food or water into the appliance until the bowl is in place.
- Respect the levels indicated in the recipes.
- Should any part of your appliance catch fire, do not attempt to put it out with water. To smother the flames use a damp tea towel.
- Any intervention should only be made by a service centre with original spare parts.

## PROTECT THE ENVIRONMENT

- Your appliance has been designed to run for many years. However, when you decide to replace it, remember to think about how you can contribute to protecting the environment.
- Before discarding your appliance you should remove the battery from the timer and dispose of it at a local civic waste collection centre (according to model).



### Environment protection first!

- ① Your appliance contains valuable materials which can be recovered or recycled.
- ➡ Leave it at a local civic waste collection point.

## BEFORE THE FIRST USE

### Unpack the appliance

- Remove the appliance from the packaging and unpack all the accessories and printed documents.
- Open the lid by pushing the opening button on the housing – fig.1.

**Read the Instructions and carefully follow the operation method.**

### Clean the appliance

- Remove the bowl – fig.2, the inner lid and the pressure valve – fig.3a and 3b.
- Clean the bowl, the valve and the inner lid with a sponge and washing up liquid.
- Wipe the outside of the appliance and the lid with a damp cloth.
- Dry off carefully.
- Put all the elements back in their original position. Install the inner lid in the right positions on the top lid of machine. Then, put the inner lid behind the 2 ribs and push it on the top until it's fixed. Install the detachable cord into the socket on the cooker base.

## FOR THE APPLIANCE AND ALL FUNCTIONS

- Carefully wipe the outside of the bowl (especially the bottom). Make sure that there are no foreign residues or liquid underneath the bowl and on the heating element – fig.5.
- Place the bowl into the appliance, making sure that it is correctly positioned – fig.6.
- Make sure that the inner lid is correctly in position.
- Close the lid in place so you hear a “click”.
- Install the power cord into the socket of the multicooker base and then plug into the power outlet. The appliance will ring a long sound «Beep», all the indicators on the control box will light up for an instant. Then the screen display will show «----», and all the indicators will switch off. The appliance enters into standby mode, you can select the menu functions as you wish.
- Do not touch the heating element when the product is plugged in or after cooking. Do not carry the product in use or just after cooking.
- This appliance is only intended for indoor use.

**Never place your hand on the steam vent during cooking, as there is a danger of burns – fig.10.**

**After start the cooking, if you wish to change the selected cooking menu because of an error, press «KEEP WARM/CANCEL» key and re-choose the menu you want.**

**Only use the inner bowl provided with the appliance.**

**Do not pour water or put ingredients in the appliance without the bowl inside.**

**The maximum quantity of water + ingredient should not exceed the highest mark inside the bowl - fig.7.**

## COOKING PROGRAM TABLE

Programs	Cooking Time			Delayed Start		Default	Temperature	Lid Position		Keep warm
	Default Time	Range	Adjustable	Range	Adjustable	Temp (°C)	Range (°C)	Closed	Open	
Baking	45m	5m-4h	5min	Cooking time ~24h	5min	160 °C	120/140/160	*	*	*
Crust/Fry	20m	5m-1h30m	1min	-	-	160 °C	120/130/140/ 150/160	*	*	*
Soup	1h	5m-3h	5min	Cooking time ~24h	5min	Automatic	-	*	*	*
Stew/ Slow Cook	4h	20m-9h	5min	Cooking time ~24h	5min	100 °C	80/100/120	*	*	*
Steam	30m	5m-3h	5min	Cooking time ~24h	5min	100 °C	-	*	*	*
Rice	Automatic	Automatic	-	Cooking time ~24h	5min	Automatic	-	*	*	*
Pilaf/ Risotto	Automatic	Automatic	-	Cooking time ~24h	5min	Automatic	-	*	*	*
Dessert	45m	5m-2h	5min	Cooking time ~24h	5min	130 °C	100/130/160	*	*	*
Porridge	25m	5m-2h	5min	Cooking time ~24h	5min	Automatic	-	*	*	*
Yogurt	8h	1h-12h	15min	-	-	40 °C	-	*	*	*
Jam	1h	5m-3h	5min	Cooking time ~24h	5min	105 °C	-	*	*	*
Pasta	10m	3m-3h	1min	Cooking time ~24h	5min	100 °C	-	*	*	*
Reheat	25m	5m-1h	5min	-	-	100 °C	-	*	*	*
Keep Warm	Automatic	Automatic	-	-	-	75 °C	-	*	*	*
DIY	30m	5m-9h	5min	Cooking time ~24h	5min	100 °C	40-160 10°C per interval	*	*	*

## CONTROL PANEL

### 1. START KEY

- Press to start the cooking process.

### 2. MENU KEY

- Under standby status, press the <Menu> key to cycle through the following functions: Baking → Soup → Steam → Rice → Yogurt → Dessert → Reheat → Stew/Slow Cook → Pilaf/Risotto → Porridge → Crust/Fry → Pasta → Jam.
- The screen displays the default cooking time of each function (except Rice, Pilaf/Risotto). “Start” button light flashes and the linked function lights up.

### Note:

You can long press the “Menu” key to cancel the “beep” sound if needed (until the long beep sound). If you want to start the beep sound again, press the “Menu” key for a second time.

### 3. “Preset/ Timer” KEY

- Timer: You can adjust the cooking time (except Rice, Pilaf/Risotto), when you select a cooking mode, the default cooking time will be shown on the digital display. Press the “Preset/Timer” key once (the timer indicator will turn on), and then use the +/- buttons to adjust the cooking time.
- Preset: The preset time corresponds to the time for end of cooking, except Crust/Fry, Yogurt, Reheat. After selecting the desired cooking mode, press the “Preset/Timer” key button twice (the preset indicator will turn on), and then use the +/- button to set the timer. Cooking will begin after the preset time has elapsed.
- When you have chosen the required preset time, press the “Start” key to enter cooking status, “start” indicator will light up the screen will display the desired cooking time and the preset pictogram will light up.
- When the Multicooker begins the cooking mode, the preset pictogram light will turn off and the timer pictogram will light up.
- The maximum start delay is 24 hours. If the preset time is shorter than the cooking time, cooking will start immediately.

### 4. “+/-” KEYS

- Use these buttons to adjust the cooking time (+/- 1, 5 or 15 mins) and preset time (+/- 5 mins). You cannot adjust the cooking time in “Rice,

Pilaf/Risotto” mode and cannot adjust the preset time in “Crust/Fry, Yogurt, Reheat” mode.

#### 5. “Keep Warm/Cancel” KEY

- In standby mode, press the keep warm/cancel key to heat your food and keep it warm.
- Press the keep warm/cancel key to stop the cooking process or cancel all settings. The Multicooker will return to standby mode.
- See details in KEEP WARM/CANCEL function description.

#### 6. “Temperature” KEY

- To use the Temperature function, choose a cooking program and cooking time first (only available for Baking, Crust/Fry, Stew/Slow Cook, Dessert and DIY). Then, press the “Temperature” key and select the temperature. The default cooking temperature will change depending on the selected cooking program. Each press of “+” and “-” key can increase or decrease the temperature.
- When you have chosen the required temperature, press the “Start” key to start the cooking process, the “Start” indicator will remain on.
- You can modify the temperature during the cooking by pressing the “Temperature” key. After selected the choose temperature and without action during 5 seconds, the multicooker will resume the cooking with the new setting.

### PORRIDGE FUNCTION

- Press “Menu” key to select function “Porridge”. The screen displays the default cooking time, the “Start” light will flash red.
- You can change the cooking time by pressing “Preset / Timer” key first and then press “+” and “-” keys.
- Press “Start” key. The multicooker will start the “Porridge” cooking program and the “Start” light will come on. The screen will display the remaining cooking time.
- At the end of cooking, the multicooker will “beep” three times and begin the keep warm program, the “Keep Warm” indicator will come on and the screen will display the time for which the keep warm function has been active.

## SOUP FUNCTION

- Press “Menu” key to select function “Soup”. The screen displays the default cooking time, the “Start” light will flash red.
- You can change the cooking time by pressing “Preset / Timer” key first and then press “+” and “-” keys.
- Press “Start” key. The multicooker will start the “Soup” cooking program and the “Start” light will come on. The screen will display the remaining cooking time.
- At the end of cooking, the multicooker will “beep” three times and begin the keep warm program, the “Keep Warm” indicator will come on and the screen will display the time for which the keep warm function has been active.

## STEAM FUNCTION

- Press “Menu” key to select function “Steam”. The screen displays the default cooking time, the “Start” light will flash red.
- You can change the cooking time by pressing “Preset / Timer” key first and then press “+” and “-” keys.
- Press “Start” key. The multicooker will start the “Steam” cooking program and the “Start” light will come on. The screen will display the remaining cooking time.
- At the end of cooking, the multicooker will “beep” three times and begin the keep warm program, the “Keep Warm” indicator will come on and the screen will display the time for which the keep warm function has been active.

- Press <Menu> key to select function <Baking>. The screen displays the default cooking time, the “Start” light will flash red.
- You can change the cooking time by pressing “Preset/Timer” key first and then press “+” and “-” keys. Press “Temperature” key to select the temperature.
- Press “Start” key. The multicooker will start the “Baking” cooking program and the “Start” light will come on. The screen will display the remaining cooking time.
- At the end of cooking, the multicooker will “beep” three times and begin the keep warm program, the “Keep Warm” indicator will come on and the screen will display the time for which the keep warm function has been active.

## JAM FUNCTION

- Press <Menu> key to select function <Jam>. The screen displays the default cooking time, the “Start” light will flash red.
- You can change the cooking time by pressing “Preset/Timer” key first and then press “+” and “-” keys.
- Press “Start” key. The multicooker will start the “Jam” cooking program and the “Start” light will come on. The screen will display the remaining cooking time.
- At the end of cooking, the multicooker will “beep” three times.

**Note:** No keep warm function for this function

## CRUST/FRY FUNCTION

- Press <Menu> key to select function <Crust/Fry>. The screen displays the default cooking time, the “Start” light will flash red.
- You can change the cooking time by pressing “Preset/Timer” key first and then press “+” and “-” keys. Press “Temperature” key to select the temperature.
- Press “Start” key. The multicooker will start the “Crust/Fry” cooking program and the “Start” light will come on. The screen will display the remaining cooking time.
- At the end of cooking, the multicooker will “beep” three times and begin the keep warm program, the “Keep Warm” indicator will come on and the screen will display the time for which the keep warm function has been active.

**Note:** Always use this function with oil and food. With oil only, it may cause a failure or danger.

## STEW/SLOW COOK FUNCTION

- Press <Menu> key to select function <Stew/Slow Cook>. The screen displays the default cooking time, the “Start” light will flash red.
- You can change the cooking time by pressing “Preset/Timer” key first and then press “+” and “-” keys. Press “Temperature” key to select the temperature.
- Press “Start” key. The multicooker will start the “Stew/Slow Cook” cooking program and the “Start” light will come on. The screen will display the remaining cooking time.
- At the end of cooking, the multicooker will “beep” three times and begin the keep warm program, the “Keep Warm” indicator will come on and the screen will display the time for which the keep warm function has been active.



- Press <Menu> key to select function <Yogurt>. The screen displays the default cooking time, the “Start” light will flash red.
- You can change the cooking time by pressing “Preset/Timer” key first and then press “+” and “-” keys.
- Press “Start” key. The multicooker will start the “Yogurt” cooking program and the “Start” light will come on. The screen will display the remaining cooking time.
- At the end of cooking, the multicooker will “beep” three times.

**Note:** There is no keep warm at the end of cooking. Use for making yogurt in oven-proof glass containers.

## CHOICE OF INGREDIENTS FOR YOGURT

### Milk

#### What milk should you use?

All our recipes (unless otherwise stipulated) are prepared using cow’s milk. You can use plant milk such as soya milk for example as well as sheep or goat’s milk but, in this case, the firmness of the yogurt may vary depending on the milk used. Raw milk or long-life milks and all the milks described below are suitable for your appliance:

- **Long-life sterilised milk:** UHT whole milk results in firmer yogurt. Using semi-skimmed milk will result in less firm yogurt. However, you can use semi-skimmed milk and add one or two bowls of powdered milk.
- **Pasteurised milk:** this milk gives a more creamy yogurt with a little bit of skin on the top.
- **Raw milk (farm milk):** this must be boiled. It is also recommended to let it boil for a long time. It would be dangerous to use this milk without boiling it. You must then leave it to cool before using it in your appliance. Culturing using yogurt prepared with raw milk is not recommended.
- **Powdered milk:** using powdered milk will result in very creamy yogurt. Follow the instructions on the manufacturer’s box.

**Choose a whole milk, preferably long-life UHT.**

**Raw (fresh) or pasteurised milk must be boiled then cooled and needs the skin removing.**

## DESSERT FUNCTION

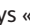
- Press <Menu> key to select function <Dessert>. The screen displays the default cooking time, the “Start” light will flash red.
- You can change the cooking time by pressing “Preset/Timer” key first and then press “+” and “-” keys. Press “Temperature” key to select the temperature.
- Press “Start” key. The multicooker will start the “Dessert” cooking program and the “Start” light will come on. The screen will display the remaining cooking time.
- At the end of cooking, the multicooker will “beep” three times.

**Note:** No keep warm function for this function

## RICE FUNCTION


- Pour the required quantity of rice into the bowl using the measuring cup provided – fig.4. Then fill with cold water up to the corresponding «CUP» mark printed in the bowl – fig.2.
- Close the lid.

**Note: Always add the rice first otherwise you will have too much water.**

Press «Menu» key to select function «Rice». The screen displays «», the “Start” light will flash, then press «Start» key. The multicooker will start the “rice” cooking program and the “Start” light will come on. The screen will flash« -- ». Time is not displayed as the multicooker do it automatically and it can vary during cooking.

- At the end of cooking, the multicooker will “beep” three times and begin the keep warm program, the “Keep Warm” indicator will come on and the screen will display the time for which the keep warm function has been active.

## PILAF/RISOTTO FUNCTION

- Press «Menu» key to select function «Pilaf/Risotto». The screen displays «», the “Start” light will flash, then press «Start» key. The multicooker will start the “Pilaf/Risotto” cooking program and the “Start” light will come on. The screen will flash « -- ». Time is not displayed as the multicooker do it automatically and it can vary during cooking.
- At the end of cooking, the multicooker will “beep” three times and begin the keep warm program, the “Keep Warm” indicator will come on and the screen will display the time for which the keep warm function has been active.

## RECOMMENDATIONS FOR BEST RICE COOKING (Rice and Pilaf/Risotto functions) EN

- Before cooking, measure the rice with the measuring cup and rinse it (do not rinse risotto rice).
- Put the rinsed rice well distributed around the whole surface of the bowl. Fill it with water to the corresponding water level (The graduations in cups).
- When the rice is ready, when the “Keep Warm” indicator light is on, stir the rice and then leave it in the multicooker for a few minutes longer in order to get perfect rice with separated grains.

This table below gives a guide to cook rice:

COOKING GUIDE FOR WHITE RICE – 10 cups			
Measuring cups	Weight of rice	Water level in the bowl (+ rice)	Serves
2	300 g	2 cup mark	3per. – 4per.
4	600 g	4 cup mark	5per. – 6per.
6	900 g	6 cup mark	8per. – 10per.
8	1200 g	8 cup mark	13per. – 14per.
10	1500 g	10 cup mark	16per. – 18per.

The time and temperature are automatic for rice cooking.

Please note that there are 7 steps:

Preheat => Water absorb => Temperature quick rise => Keep boiling =>

Water evaporation => Braise rice => Keep warm.

The cooking time depends on the quantity and type of rice.

## PASTA FUNCTION

- To cook pasta it is important to wait until the water reaches good temperature before adding pasta.
- Press <Menu> key to select function <Pasta>. The screen displays the default cooking time, the “Start” light will flash red.
- You can change the cooking time by pressing “Preset/Timer” key first and then press “+” and “-” keys.
- Press “Start” key. The multicooker will start the “Pasta” cooking program and the “Start” light will come on. The screen will display the remaining cooking time.
- The multicooker will beep when the water is at the ideal temperature. Put the pasta into the water and press the start key again to begin the cooking process. The lid must remain open while the pasta is cooking.
- At the end of cooking, the multicooker will “beep” three times.

**Note:** No keep warm function for this function

## REHEAT FUNCTION

- This function is intended to reheat only cooked food.
- Press <Menu> key to select function <Reheat>. The screen displays the default cooking time, the “Start” light will flash red.
- You can change the cooking time by pressing “Preset/Timer” key first and then press “+” and “-” keys.
- Press “Start” key. The multicooker will start the “reheat” cooking program and the “Start” light will come on. The screen will display the remaining cooking time.
- At the end of cooking, multicooker will “beep” three times and begin the keep warm program, the “Keep Warm” indicator will come on and the screen will display the time for which the keep warm function has been active.

### CAUTION:

The cold food should not exceed  $\frac{1}{2}$  of the cooker’s volume. Too much food cannot be thoroughly heated. Repeated use of “Reheat” or too little food will lead to burnt food and hard layer at the bottom.

It is recommend not to reheat thick porridge, or it may become pasty.

Do not heat long-stored cold food to avoid smell.

- Press the “Keep Warm / Cancel” key when the multicooker is in standby mode to begin the keep warm program. The “Keep Warm / Cancel” light will flash and the screen will display the time for which the keep warm function has been active.
- The remaining heat time will be indicated on the display and the keep warm indicator will turn on.
- Press the “Keep warm / Cancel” key when the multicooker is in a program to reset the settings and go back to Standby mode.
- You can remove the automatic keep warm function for the next cooking program by pressing the “Keep warm / Cancel” key for 5 seconds and the “Keep warm / Cancel” light will go off. To set the automatic keep warm function again, press the “Keep warm / Cancel” key again for 5 seconds.
- The maximum keep warm time is 24 hours.

**Recommendation: in order to keep the food in good taste, please limit the holding time within 12h.**

## DIY FUNCTION

- “Do It Yourself” function is to memorise your favourite cooking choices.
- Press “DIY” key when the multicooker is in standby mode to start the DIY setting. The screen will display the default cooking time, and the “Start” light will flash.
- If you want to choose a temperature and time for your program, press “Preset/Timer” and “Temperature” key to defined your setting.
- At the end of cooking, the multicooker will beep three times.

### Note:

The multicooker memorises the last temperature and cooking time DIY setting for your next use.

## ON COMPLETION OF COOKING

- Open the lid – fig.1.
- Glove must be used when manipulating the cooking bowl and steam basket – fig.11.
- Serve the food using the spoon provided with your appliance and reclose the lid.
- 24 hours is the maximum keeping warm time.
- Press “Keep warm / Cancel” to stop the keep warm status.
- Unplug the appliance.

## CLEANING AND MAINTENANCE

- Ensure that the multicooker is unplugged and completely cooled down before cleaning and maintenance.
- It is strongly advised to clean the appliance after each use with a sponge – fig.12.
- The bowl, the cup and the rice and soup spoons are dishwasher safe - fig.13.

### **Bowl, steam basket**

- Scouring powders and metal sponges are not recommended.
- If food has stuck to the bottom, you may put water in the bowl to soak for a while before washing.
- Dry the bowl carefully.

### **Taking care of the bowl**

For the bowl, carefully follow the instructions below:

- To ensure the maintenance of bowl quality, it is recommended not to cut food in it.
- Make sure you put the bowl back into the multicooker.
- Use the plastic spoon provided or a wooden spoon and not a metal type so as to avoid damaging the bowl surface – fig.14.
- To avoid any risk of corrosion, do not pour vinegar into the bowl.
- The color of the bowl surface may change after using for the first time or after longer use. This change in color is due to the action of steam and water and does not have any effect on the use of the multicooker, nor is it dangerous for your health. It is perfectly safe to continue using it.

## **Cleaning the micro pressure valve**

- When clean the micro-pressure valve, please remove it from the lid – fig.15 and open it by rotating in the direction of “open” – fig.16a and 16b. After cleaning it, please wipe dry it and meet the two triangle in the two parts together and rotate it in the direction of “close”, then put it back to the lid of the multicooker – fig.18a and 18b.

## **Cleaning the inner lid**

- Remove the inner lid by pushing outwards with both hands. Clean it with a sponge and washing up liquid (fig.17). Then wipe dry and put it back behind the 2 ribs and push it on the top until it's fixed.

## **Cleaning and care of the other parts of the appliance**

- Clean the outside of the multicooker – fig.19, the inside of the lid and the cord with a damp cloth and wipe dry. Do not use abrasive products.
- Do not use water to clean the interior of the appliance body as it could damage the heat sensor.

## TECHNICAL TROUBLESHOOTING GUIDE

Malfunction description	Causes	Solutions
Any indicator lights off and no heating.	Appliance not plugged in.	Check the appliance is plugged in the socket, and is switched on.
Any indicator lights off and heating.	Problem of the connection of the indicator light or indicator light is damaged.	Send to authorized service center for repair.
Steam leakage during using	Lid is badly closed.	Open and close the lid again.
	Micro pressure valve not well positioned or assembled incorrectly.	Stop the cooking (unplug the product) and check the valve is correctly assembled (2 parts locked together) and well positioned.
	Lid or micro pressure valve gasket is damaged.	Send to authorized service center for repair.
Rice undercooked or overcooked.	Too much or not enough water compared to rice quantity.	Refer to table for water quantity.



Malfunction description	Causes	Solutions
Rice undercooked or overcooked.	Insufficiently simmered.	Send to the authorized service center for repair.
Automatic keep warm function fails (appliance stays on cooking program or does not heat on keep warm).	The keep warm function has been cancelled by user during the setting. See keep warm function paragraph.	
E0	The sensor on the top open circuit or short circuit.	
E1	The sensor on the bottom open or short circuit.	Stop the appliance and restart the program. If the problem repeats, please send to the authorized service center for repair.
E3	High temperature detected.	

**Remark: If inner bowl is deformed, do not use it anymore and get a replacement from the authorized service center for repair.**

## TEFAL/T-FAL \* INTERNATIONAL LIMITED GUARANTEE

 : [www.tefal.com](http://www.tefal.com)

This product is repairable by TEFAL/T-FAL \*, during and after the guarantee period.

Accessories, consumables and end-user replaceable parts can be purchased, if locally available, as described on the TEFAL/T-FAL

internet site [www.tefal.com](http://www.tefal.com)

### The Guarantee\*\*

TEFAL/T-FAL guarantees this product against any manufacturing defect in materials or workmanship during the guarantee period within those countries\*\*\* as stated in the attached country list, starting from the initial date of purchase or delivery date. The international manufacturer's guarantee covers all costs related to restoring the proven defective product so that it conforms to its original specifications, through the repair or replacement of any defective part and the necessary labour. At TEFAL/T-FAL's choice, a replacement product may be provided instead of repairing a defective product. TEFAL/T-FAL's sole obligation and your exclusive resolution under this guarantee are limited to such repair or replacement.

### Conditions & Exclusions

TEFAL/T-FAL shall not be obliged to repair or replace any product which is not accompanied by a valid proof of purchase. The product can be taken directly in person or must be adequately packaged and returned, by recorded delivery (or equivalent method of postage), to a TEFAL/T-FAL authorised service centre. Full address details for each country's authorised service centres are listed on TEFAL/T-FAL website ([www.tefal.com](http://www.tefal.com)) or by calling the appropriate consumer Service centre set out in the attached country list. In order to offer the best possible after-sales service and constantly improve customer satisfaction, TEFAL/T-FAL may send a satisfaction survey to all customers who have had their product repaired or exchanged in a TEFAL/T-FAL authorised service centre. This guarantee applies only for products purchased and used for domestic purposes and will not cover any damage which occurs as a result of misuse, negligence, failure to follow TEFAL/T-FAL instructions, or a modification or unauthorised repair of the product, faulty packaging by the owner or mishandling by any carrier. It also does not cover normal wear and tear, maintenance or replacement of consumable parts, or the following:

- using the wrong type of water or consumable
- ingress of water, dust or insects into the product (excluding appliances with features specifically designed for insects)
- scaling (any de-scaling must be carried out according to the instructions for use)
- damage to any glass or porcelain ware in the product
- mechanical damages, overloading
- damage as a result of lightning or power surges
- accidents including fire, flood, etc
- professional or commercial use
- damages or poor results specifically due to wrong voltage or frequency as stamped on the product ID or specification

### Consumer Statutory Rights

This international TEFAL/T-FAL guarantee does not affect the Statutory Rights a consumer may have or those rights that cannot be excluded or limited, nor rights against the retailer from which the consumer purchased the product. This guarantee gives a consumer specific legal rights, and the consumer may also have other legal rights which vary from State to State or Country to Country. The consumer may assert any such rights at his sole discretion.

\*\*\*Where a product purchased in a listed country and then used in another listed country, the international TEFAL/T-FAL guarantee duration is the one in the country of usage, even if the product was purchased in a listed country with different guarantee duration. The repair process may require a longer time if the product is not locally sold by TEFAL/T-FAL. If the product is not repairable in the new country, the international TEFAL/T-FAL guarantee is limited to a replacement by a similar or alternative product at similar cost, where possible.

\*TEFAL household appliances appear under the T-FAL brand in some territories like America and Japan. TEFAL/T-FAL are registered trademarks of Groupe SEB.

Please keep this document for your reference should you wish to make a claim under the guarantee.

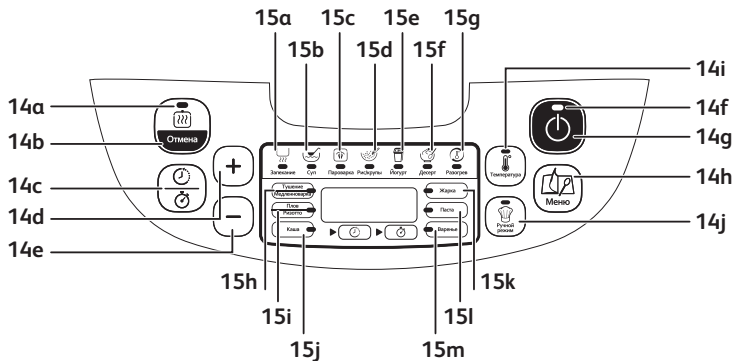
### \*\*For Australia only:

Our goods come with guarantees that cannot be excluded under the Australian Consumer Law. You are entitled to a replacement or refund for a major failure and compensation for any other reasonably foreseeable loss or damage. You are also entitled to have the goods repaired or replaced if the goods fail to be of acceptable quality and the failure does not amount to a major failure.

**\*\*For India only:** The guarantee length depends on the product and the State in India. Full guarantee terms must be checked at the point of sale. Products purchased outside and used in India benefit from a 2 year guarantee.

The guarantee covers exclusively the repair of a defective product, but at TEFAL's choice, a replacement product may be provided instead of repairing a defective product. It is mandatory that the consumer, to have his product repaired, has to log a service request on the dedicated Smartphone application TEFAL SERVICE APP or by calling TEFAL Consumer Care Center at **1860-200-1232, Opening hours Mon-Sat 09 AM to 06 PM**. Products returned by Post will not be covered by the guarantee. As a proof of purchase consumer needs to provide both this stamped guarantee card and cash memo.

## ПАНЕЛЬ УПРАВЛЕНИЯ



## ОПИСАНИЕ

- |   |  |
|---|--|
| <b>1</b> Паровая корзина                                  | <b>i</b> Клавиша Temperature (Температура)   |
| <b>2</b> Мерная шкала для воды и риса                     | <b>j</b> Клавиша DIY (Ручной режим)          |
| <b>3</b> Съёмная чаша                                     | <b>15</b> Индикаторы функций                 |
| <b>4</b> Мерный стакан                                    | <b>a</b> Функция запекания                   |
| <b>5</b> Ложка для риса                                   | <b>b</b> Функция приготовления супа          |
| <b>6</b> Ложка для супа                                   | <b>c</b> Функция приготовления на пару       |
| <b>7</b> Крышка   | <b>d</b> Функция приготовления риса/круп     |
| <b>8</b> Съёмная внутренняя крышка                        | <b>e</b> Функция приготовления йогурта       |
| <b>9</b> Микроклапан давления                             | <b>f</b> Функция приготовления десерта       |
| <b>10</b> Кнопка фиксации крышки                          | <b>g</b> Функция разогрева                   |
| <b>11</b> Рукоятка  | <b>h</b> Функция тушения / медленноварки     |
| <b>12</b> Корпус  | <b>i</b> Функция приготовления плова/ризотто |
| <b>13</b> Шнур питания                                    | <b>j</b> Функция приготовления каши          |
| <b>14</b> Панель управления                               | <b>k</b> Функция жарки                       |
| <b>a</b> Индикатор Keep warm / Cancel (Подогрев / Отмена) | <b>l</b> Функция приготовления пасты         |
| <b>b</b> Клавиша Keep warm / Cancel (Подогрев / Отмена)   | <b>m</b> Функция приготовления варенья       |
| <b>c</b> Клавиша Preset / Timer (Время/Отложенный старт)  |  |
| <b>d</b> Клавиша +  |  |
| <b>e</b> Клавиша -  |  |
| <b>f</b> Индикатор Start (Запуск)                         |  |
| <b>g</b> Клавиша Start (Запуск)                           |  |
| <b>h</b> Клавиша Menu (Меню)                              |  |


**Прочитайте инструкции по эксплуатации и следуйте им. Сохраните инструкции.**

- Устройство не предназначено для использования с внешним таймером или отдельной системой дистанционного управления.
- Устройство может использоваться детьми старше 8 лет, если они находятся под присмотром либо были обучены правилам безопасной эксплуатации устройства и понимают связанные с этим опасности. Очистка и обслуживание устройства могут выполняться детьми старше 8 лет под присмотром взрослых. Устройство и его шнур питания должны быть недоступны для детей младше 8 лет.
- Устройство может использоваться лицами с ограниченными физическими, сенсорными или умственными способностями или с недостатком опыта и знаний только под присмотром или если они были проинструктированы касательно безопасной эксплуатации устройства и поняли связанные с этим опасности.
- Не позволяйте детям играть с устройством.
- Устройство не предназначено для использования лицами (включая детей) с ограниченными физическими, сенсорными или умственными возможностями либо недостатком опыта и знаний, кроме случаев, когда они находятся под

присмотром или были проинструктированы относительно эксплуатации устройства лицом, ответственным за их безопасность.

- Следите за тем, чтобы дети не играли с устройством.
- Так как устройство предназначено исключительно для бытового применения, его не следует использовать в следующих целях, на которые не распространяется гарантия:
  - в кухонных помещениях, предназначенных для персонала магазинов, в офисах и в других рабочих помещениях;
  - на фермах;
  - клиентами отелей, мотелей и других подобных мест проживания;
  - в мини-гостиницах.
- **Если устройство оснащено съемным шнуром:** в случае повреждения электрического шнура он должен быть заменен на новый шнур или новую запчасть в авторизованном сервисном центре.
- **Если устройство оснащено несъемным шнуром:** в случае повреждения электрического шнура во избежание несчастных случаев он должен быть заменен производителем, его гарантийными службами или специалистом соответствующей квалификации.
- Не погружайте устройство в воду или иную жидкость.
- Очистите принадлежности и детали, контактирующие с продуктами питания,

с помощью влажной ткани или губки и моющего средства. Смойте моющее средство с помощью влажной ткани или губки. Протрите принадлежности и детали, контактирующие с продуктами питания, сухой тканью.

- Если на устройстве нанесен символ , это означает: «Осторожно! Во время работы поверхность может нагреваться».
- Осторожно! После завершения работы поверхность нагревательного элемента долго остается горячей.
- Осторожно! Угроза травмирования из-за неправильного использования устройства.
- Осторожно! Если устройство оснащено съемным шнуром питания, следите за тем, чтобы в разъем не попадала вода.
- Отключайте устройство от сети в следующих случаях:
  - сразу после завершения применения
  - при перемещении
  - перед выполнением чистки или обслуживания
  - при неисправностях в работе
- При касании поверхности устройства, горячей воды, пара или пищи можно получить ожоги.
- Во время приготовления устройство вырабатывает тепло и пар. Держите лицо и руки на безопасном расстоянии.
- Не подносите лицо и руки близко к выпускному отверстию для пара. Не закрывайте выпускное отверстие для пара.

- С проблемами и вопросами обращайтесь в отдел по работе с клиентами или посетите наш веб-сайт.
- Устройство может использоваться на высоте до 4000 м.
- В целях обеспечения безопасности устройство соответствует нормам и директивам по безопасности, действующим на момент производства (Директива по низковольтному оборудованию, Директива об электромагнитной совместимости, Директива о материалах, непосредственно контактирующих с продуктами питания, Директива об охране окружающей среды и т. д.).
- Убедитесь, что источник питания соответствует указанному на устройстве (переменный ток).
- Принимая во внимание различные действующие стандарты, при использовании данного устройства в стране, отличной от страны приобретения, проверьте его в авторизованном сервисном центре.

## ПОДКЛЮЧЕНИЕ УСТРОЙСТВА К ИСТОЧНИКУ ПИТАНИЯ

- Не используйте устройство в следующих случаях:
  - устройство или шнур повреждены
  - устройство упало, имеет явные признаки повреждений или работает неправильно
  - В любом из этих случаев устройство следует отправить в авторизованный сервисный центр. Не пытайтесь разбирать устройство.
- Шнур не должен свисать.
- Подключайте устройство только к розетке с заземлением.
- Не используйте удлинители. Если вы согласны взять на себя ответственность за использование удлинителей, то выбирайте только те, которые находятся в хорошем состоянии, имеют вилку с заземлением и соответствуют номинальной мощности устройства.
- Не тяните за шнур, чтобы отключить устройство от электросети.

## ИСПОЛЬЗОВАНИЕ

- Используйте плоскую, устойчивую, жаропрочную рабочую поверхность вдали от возможных брызг воды.

- Следите за тем, чтобы основание устройства не контактировало с водой.
- Не включайте устройство с пустой чашей или без чаши.
- Программа приготовления должна выполняться без помех. Не пытайтесь помешать автоматическому переходу из какого-либо режима в режим подогрева.
- Не вынимайте чашу во время работы устройства.
- Не ставьте устройство непосредственно на горячую поверхность или какой-либо источник тепла или огня, так как это приведет к возникновению неисправности или опасной ситуации.
- Чаша должна располагаться непосредственно на нагревательной пластине. Любой предмет или продукт питания, помещенный между этими двумя элементами, помешает правильной работе устройства.
- Во избежание серьезных повреждений не ставьте устройство рядом с источником тепла или горячей плитой.
- Не помещайте продукты питания или воду в устройство, пока в него не установлена чаша.
- Соблюдайте уровни, указываемые в рецептах.
- В случае возгорания какой-либо детали устройства не пытайтесь потушить ее водой. Для гашения пламени используйте влажное полотенце.
- Любые работы по ремонту должны выполняться исключительно в сервисном центре с использованием оригинальных запчастей.

## **ЗАЩИТА ОКРУЖАЮЩЕЙ СРЕДЫ**

- Устройство рассчитано на многолетний срок службы. Тем не менее при замене устройства на новое следует помнить о том, как можно способствовать защите окружающей среды.
- Перед утилизацией устройства следует вынуть батарейку из таймера (имеется не во всех моделях) и передать ее в местный центр по сбору отходов.



### **Защита окружающей среды превыше всего!**

- ① Устройство содержит материалы, пригодные для переработки и вторичного использования.
- ➔ Сдайте устройство в ближайший пункт сбора отходов.



## Распаковка устройства

- Извлеките устройство из упаковки и распакуйте все принадлежности и прилагаемые документы.
- Откройте крышку, нажав на кнопку фиксации, расположенную на корпусе — рис. 1.

**Внимательно прочтите инструкции и следуйте им при работе с устройством.**

## Очистка устройства

- Вытащите чашу — рис. 2, внутреннюю крышку и клапан давления — рис. 3а и 3б.
- Очистите чашу, клапан и внутреннюю крышку при помощи губки и средства для мытья посуды.
- Протрите наружную часть устройства и крышки влажной тканью.
- Тщательно вытрите насухо.
- Поместите все элементы обратно в исходное положение. Правильно установите внутреннюю крышку на верхнюю крышку устройства. Вставьте внутреннюю крышку между 2 выступами и надавите в направлении верхней крышки до фиксации. Подключите шнур к разъему на основании устройства.

## РАБОТА С УСТРОЙСТВОМ И ВСЕМИ ЕГО ФУНКЦИЯМИ

- Тщательно протрите наружную часть чаши (особенно основание). Убедитесь в отсутствии постороннего осадка или жидкости под чашей и на нагревательном элементе — рис. 5.
- Поместите чашу в устройство. Убедитесь, что она установлена правильно — рис. 6.
- Убедитесь в правильности установки внутренней крышки.
- Закройте крышку до щелчка.
- Подключите шнур питания к разъему в основании мультиварки, а затем — к сетевой розетке. Устройство издаст продолжительный звуковой сигнал, и на короткое время на панели управления загорятся все индикаторы. Затем на дисплее появится знак «----», все индикаторы погаснут. Устройство перейдет в режим ожидания. Теперь можно выбрать одну из функций меню.
- Не дотрагивайтесь до нагревательного элемента, когда устройство включено в розетку, а также после приготовления пищи. Не

переносите устройство в процессе работы и непосредственно после приготовления пищи.

- Устройство предназначено исключительно для использования в помещении.

**Не кладите руку на выпускное отверстие для пара в процессе приготовления пищи, поскольку существует опасность получения ожога — рис. 10.**

**Если после начала процесса приготовления пищи необходимо поменять ошибочно установленную программу, нажмите на клавишу KEEP WARM/CANCEL (ПОДОГРЕВ/ОТМЕНА) и выберите необходимую функцию.**

**Используйте только прилагаемую к устройству внутреннюю чашу. Не наливайте в устройство воду и не кладите ингредиенты, пока не установлена чаша.**

**Максимальное количество воды и ингредиентов не должно превышать верхнюю отметку внутри чаши — рис. 7.**

## ТАБЛИЦА ПРОГРАММ ПРИГОТОВЛЕНИЯ ПИЩИ

Программы	Время по умолчанию	Время приготовления		Отложенный запуск		По умолчанию Температура (°C)	Температура Диапазон (°C)	Положение крышки		Подогрев
		Диапазон	Регулировка	Диапазон	Регулировка			Закрыта	Открыта	
Запекание	45 мин.	5 мин. – 4 ч.	5 мин.	Время приготовления ~24 ч.	5 мин.	160 °C	120/140/160	*		*
Жарка	20 мин.	5 мин. – 1 ч. 30 мин.	1 мин.	–		160 °C	120/130/140/ 150/160	*	*	*
Суп	1ч	5 мин. – 3 ч.	5 мин.	Время приготовления ~24 ч.	5 мин.	Автоматически	–	*		*
Тушение / Медленноварка	4ч	20 мин. – 9 ч.	5 мин.	Время приготовления ~24 ч.	5 мин.	100 °C	80/100/120	*		*
Приготовление на пару	30 мин.	5 мин. – 3 ч.	5 мин.	Время приготовления ~24 ч.	5 мин.	100 °C	–	*		*
Рис	Автоматически	Автоматически	–	Время приготовления ~24 ч.	5 мин.	Автоматически	–	*		*
Плов/Ризотто	Автоматически	Автоматически	–	Время приготовления ~24 ч.	5 мин.	Автоматически	–	*		*
Десерт	45 мин.	5 мин. – 2 ч.	5 мин.	Время приготовления ~24 ч.	5 мин.	130 °C	100/130/160	*		
Каша	25 мин.	5 мин. – 2 ч.	5 мин.	Время приготовления ~24 ч.	5 мин.	Автоматически	–	*		*
Йогурт	8ч	1 – 12 ч.	15 мин.			40 °C	–	*		
Варенье	1ч	5 мин. – 3 ч.	5 мин.	Время приготовления ~24 ч.	5 мин.	105 °C	–	*	*	
Паста	10 мин.	3 мин. – 3 ч.	1 мин.	Время приготовления ~24 ч.	5 мин.	100 °C	–	*	*	
Разогрев	25 мин.	5 мин. – 1 ч.	5 мин.	–		100 °C	–	*		*
Подогрев	Автоматически	Автоматически				75 °C	–	*		*
Ручной режим	30 мин.	5 мин. – 9 ч.	5 мин.	Время приготовления ~24 ч.	5 мин.	100 °C	40-160 шаг — 10 °C	*	*	

## 1. КЛАВИША START (ЗАПУСК)

- Нажмите клавишу для запуска процесса приготовления.

## 2. КЛАВИША MENU (МЕНЮ)

- В режиме ожидания нажмите на клавишу Menu (Меню), чтобы пролистать следующие функции: Запекание → Приготовление супа → Приготовление на пару → Приготовление риса → Йогурт → Десерт → Разогрев → Тушение / Медленное приготовление → Плов / Ризотто → Каша → Жарка → Паста → Варенье.
- На экране отобразится заданное по умолчанию время приготовления для каждой функции (за исключением «Рис», «Плов/Ризотто»). Клавиша Start (Запуск) начинает мигать и загорается индикатор соответствующей функции.

### Примечание.

При необходимости долгим нажатием (до момента длинного звукового сигнала) клавиши Menu (Меню) можно отключить звуковой сигнал. Если необходимо снова включить звуковой сигнал, повторно нажмите на клавишу Menu (Меню).

## 3. КЛАВИША Preset / Timer (Время/Отложенный старт)

- **Время:** Можно регулировать время приготовления (кроме режимов «Рис», «Плов/Ризотто») при выборе режима приготовления. Время приготовления по умолчанию будет отображаться на цифровом дисплее. Нажмите один раз клавишу Preset / Timer (Время/Отложенный старт) — включится индикатор времени. С помощью клавиши «+/-» установите время приготовления.
- **Отложенный старт:** Время задержки соответствует времени окончания процесса приготовления, кроме режимов «Жарка», «Йогурт», «Разогрев». После выбора требуемого режима приготовления нажмите дважды клавишу Preset / Timer (Время/Отложенный старт) — включится индикатор отложенного старта. С помощью клавиши «+/-» установите время таймера. Приготовление начнется по истечении времени задержки.
- После выбора необходимого отложенного времени нажмите на клавишу Start (Запуск), чтобы войти в режим приготовления — загорится индикатор Start (Запуск), а на экране отобразится количество выбранного времени и значок программы.

- Когда включается необходимая программа приготовления, индикатор отложенного старта отключается.
- Максимальное время отложенного старта составляет 24 часа. Если время отложенного старта меньше времени приготовления, приготовление начнется незамедлительно.

#### 4. **КЛАВИШИ «+/-»**

- С помощью этих клавиш можно регулировать время приготовления (+/- 1, 5 или 15 мин.) и время отложенного старта (+/- 5 мин.). Время приготовления нельзя регулировать в режимах «Рис», «Плов/Ризотто», а время отложенного старта нельзя регулировать в режимах «Жарка», «Йогурт», «Разогрев».

#### 5. **Клавиша Keep warm/Cancel (Подогрев/Отмена)**

- В режиме ожидания нажмите клавишу Keep warm/Cancel (Подогрев/Отмена) для подогрева пищи и поддержания ее в теплом виде.
- Нажмите клавишу Keep warm/Cancel (Подогрев/Отмена) для прекращения приготовления или отмены всех настроек. Мультиварка вернется в режим ожидания.
- Подробную информацию см. описании функции «ПОДОГРЕВА/ОТМЕНА»

#### 6. **КЛАВИША Temperature (Температура)**

- Чтобы воспользоваться функцией температуры, сначала выберите программу и время приготовления (доступно только для режимов «Запекание», «Жарка», «Тушение / Медленноварка», «Десерт» и «Ручной режим»). Затем нажмите на клавишу Temperature (Температура) и выберите температуру. Заданная по умолчанию температура приготовления изменится в зависимости от выбранной программы. С каждым нажатием клавиш «+» и «-» температура будет увеличиваться или уменьшаться.
- После выбора необходимой температуры нажмите на клавишу Start (Запуск), чтобы войти в режим приготовления, индикатор Start (Запуск) останется включенным.
- Можно изменить температуру приготовления в процессе готовки с помощью клавиши Temperature (Температура). После выбора температуры, если в течение 5 секунд не предпринимаются никакие действия, мультиварка возобновит процесс приготовления с новыми настройками.

## ФУНКЦИЯ ПРИГОТОВЛЕНИЯ КАШИ

- Для выбора функции Porridge (Каша) используйте клавишу Menu (Меню). На экране отобразится заданное по умолчанию время приготовления, и подсветка клавиши Start (Запуск) начнет мигать красным.
- Время приготовления можно изменить нажатием на клавишу Preset/Timer (Время/Отложенный старт) и изменением значения с помощью клавиш «+» и «-».
- Нажмите на клавишу Start (Запуск). Мультиварка перейдет в режим Porridge (Каша), загорится подсветка клавиши Start (Запуск), и на экране отобразится оставшееся время приготовления.
- По окончании процесса готовки трижды раздастся звуковой сигнал, и мультиварка перейдет в режим подогрева. В этот момент включится индикатор Keep Warm (Подогрев), и на экране начнется отсчет времени, в течение которого пища будет поддерживаться теплой.

## ФУНКЦИЯ ПРИГОТОВЛЕНИЯ СУПА

- Для выбора функции Soup (Приготовление супа) используйте клавишу Menu (Меню). На экране отобразится заданное по умолчанию время приготовления, и подсветка клавиши Start (Запуск) начнет мигать красным.
- Время приготовления можно изменить нажатием на клавишу Preset/Timer (Время/Отложенный старт) и изменением значения с помощью клавиш «+» и «-».
- Нажмите на клавишу Start (Запуск). Мультиварка перейдет в режим Soup (Приготовление супа), загорится подсветка клавиши Start (Запуск), и на экране отобразится оставшееся время.
- По окончании процесса готовки трижды раздастся звуковой сигнал, и мультиварка перейдет в режим подогрева. В этот момент включится индикатор Keep Warm (Подогрев), и на экране начнется отсчет времени, в течение которого пища будет поддерживаться теплой.

## ФУНКЦИЯ ПРИГОТОВЛЕНИЯ НА ПАРУ

- Для выбора функции Steam (Приготовление на пару) используйте клавишу Menu (Меню). На экране отобразится заданное по умолчанию время приготовления, и подсветка клавиши Start (Запуск) начнет мигать красным.
- Время приготовления можно изменить нажатием на клавишу Preset/Timer (Время/Отложенный старт) и изменением значения с помощью клавиш «+» и «-».
- Нажмите на клавишу Start (Запуск). Мультиварка перейдет в режим Steam (Приготовление на пару), загорится подсветка клавиши Start (Запуск), и на экране отобразится оставшееся время.
- По окончании процесса готовки трижды раздастся звуковой сигнал, и мультиварка перейдет в режим подогрева. В этот момент включится индикатор Keep Warm (Подогрев), и на экране начнется отсчет времени, в течение которого пища будет поддерживаться теплой.

## ФУНКЦИЯ ЗАПЕКАНИЯ

- Для выбора функции Baking (Запекание) нажмите на клавишу Menu (Меню). На экране отобразится заданное по умолчанию время приготовления, и подсветка клавиши Start (Запуск) начнет мигать красным.
- Время приготовления можно изменить нажатием на клавишу Preset/Timer (Время/Отложенный старт) и изменением значения с помощью клавиш «+» и «-». Нажмите клавишу Temperature (Температура), чтобы настроить температуру приготовления.
- Нажмите на клавишу Start (Запуск). Мультиварка перейдет в режим Baking (Выпечка), загорится подсветка клавиши Start (Запуск), и на экране отобразится оставшееся время.
- По окончании процесса готовки трижды раздастся звуковой сигнал, и мультиварка перейдет в режим подогрева. В этот момент включится индикатор Keep Warm (Подогрев), и на экране начнется отсчет времени, в течение которого пища будет поддерживаться теплой.

## ФУНКЦИЯ ПРИГОТОВЛЕНИЯ ВАРЕНЬЯ

- Для выбора функции Jam (Варенье) нажмите на клавишу Menu (Меню). На экране отобразится заданное по умолчанию время приготовления, и подсветка клавиши Start (Запуск) начнет мигать красным.
- Время приготовления можно изменить нажатием на клавишу Preset/Timer (Время/Отложенный старт) и изменением значения с помощью клавиш «+» и «-».
- Нажмите на клавишу Start (Запуск). Мультиварка перейдет в режим Jam (Варенье), загорится подсветка клавиши Start (Запуск), и на экране отобразится оставшееся время.
- По окончании приготовления трижды раздастся звуковой сигнал.

**Примечание.** Для этого режима не предусмотрена функция подогрева

## ФУНКЦИЯ ЖАРКИ

- Для выбора функции Crust/Fry (Жарка) нажмите на клавишу Menu (Меню). На экране отобразится заданное по умолчанию время приготовления, и подсветка клавиши Start (Запуск) начнет мигать красным.
- Время приготовления можно изменить нажатием на клавишу Preset/Timer (Время/Отложенный старт) и изменением значения с помощью клавиш «+» и «-». Нажмите клавишу Temperature (Температура), чтобы настроить температуру приготовления.
- Нажмите на клавишу Start (Запуск). Мультиварка перейдет в режим Crust/Fry (Жарка), загорится подсветка клавиши Start (Запуск), и на экране отобразится оставшееся время.
- По окончании процесса готовки трижды раздастся звуковой сигнал, и мультиварка перейдет в режим подогрева. В этот момент включится индикатор Keep Warm (Подогрев), и на экране начнется отсчет времени, в течение которого пища будет поддерживаться теплой.

**Примечание.** При приготовлении пищи в данном режиме в мультиварке всегда должны быть продукты и масло. Если в мультиварке находится только масло, это может привести к возникновению неисправностей и опасной ситуации.

## ФУНКЦИЯ ТУШЕНИЯ / МЕДЛЕННОВАРКИ

- Для выбора функции Stew/Slow Cook (Тушение / Медленноварка) нажмите на клавишу Menu (Меню). На экране отобразится заданное по умолчанию время приготовления, и подсветка клавиши Start (Запуск) начнет мигать красным.
- Время приготовления можно изменить нажатием на клавишу Preset/Timer (Время/Отложенный старт) и изменением значения с помощью клавиш «+» и «-». Нажмите клавишу Temperature (Температура), чтобы настроить температуру приготовления.
- Нажмите на клавишу Start (Запуск). Мультиварка перейдет в режим Stew/Slow Cook (Тушение / Медленноварка), загорится подсветка клавиши Start (Запуск), и на экране отобразится оставшееся время.
- По окончании процесса готовки трижды раздастся звуковой сигнал, и мультиварка перейдет в режим подогрева. В этот момент включится индикатор Keep Warm (Подогрев), и на экране начнется отсчет времени, в течение которого пища будет поддерживаться теплой.

## ФУНКЦИЯ ПРИГОТОВЛЕНИЯ ЙОГУРТА

- Для выбора функции Yogurt (Йогурт) нажмите на клавишу Menu (Меню). На экране отобразится заданное по умолчанию время приготовления, и подсветка клавиши Start (Запуск) начнет мигать красным.
- Время приготовления можно изменить нажатием на клавишу Preset/Timer (Время/Отложенный старт) и изменением значения с помощью клавиш «+» и «-».
- Нажмите на клавишу Start (Запуск). Мультиварка перейдет в режим Yogurt (Йогурт), загорится подсветка клавиши Start (Запуск), и на экране отобразится оставшееся время.
- По окончании приготовления трижды раздастся звуковой сигнал.

**Примечание.** По окончании процесса приготовления функция подогрева не включается. Для приготовления йогурта используйте емкости из жаропрочного стекла.

## ВЫБОР ИНГРЕДИЕНТОВ ДЛЯ ЙОГУРТА



# Молоко

## Какое молоко использовать?

Все наши рецепты (за исключением отдельно обозначенных случаев) подразумевают использование коровьего молока. Можно использовать растительное молоко, например соевое, а также овечье или козье, но в этом случае плотность йогурта может измениться в зависимости от используемого молока. Непастеризованное молоко, молоко с длительным сроком хранения, а также все вышеуказанные виды молока подходят для использования в данном устройстве:

- **Стерилизованное молоко с длительным сроком хранения:** Ультрапастеризованное цельное молоко обеспечит приготовление густого йогурта. Полуобезжиренное молоко сделает йогурт менее густым. Однако можно использовать полуобезжиренное молоко и добавить в него одну или две чашки сухого молока.
- **Пастеризованное молоко:** при использовании этого молока йогурт получается более кремообразным, с небольшой пленкой сверху.
- **Непастеризованное молоко (фермерское молоко):** его следует прокипятить. Также рекомендуется кипятить его продолжительное время. Опасно использовать такое молоко без кипячения. Затем такое молоко необходимо охладить, прежде чем использовать в устройстве. Не рекомендуется выполнять культивирование, используя йогурт, приготовленный на непастеризованном молоке.
- **Сухое молоко:** при использовании сухого молока йогурт получится гораздо более кремообразным. Следуйте инструкциям, приведенным на упаковке производителя молока.

**Выбирайте цельное молоко, лучше ультрапастеризованное молоко с длительным сроком хранения.**

**Непастеризованное (свежее) и пастеризованное молоко следует прокипятить, а затем охладить и удалить пенку.**

## ФУНКЦИЯ ПРИГОТОВЛЕНИЯ ДЕСЕРТА

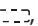
- Для выбора функции Dessert (Десерт) нажмите на клавишу Menu (Меню). На экране отобразится заданное по умолчанию время приготовления, и подсветка клавиши Start (Запуск) начнет мигать красным.
- Время приготовления можно изменить нажатием на клавишу Preset/Timer (Время/Отложенный старт) и изменением значения с помощью клавиш «+» и «-». Нажмите клавишу Temperature (Температура), чтобы настроить температуру приготовления.
- Нажмите на клавишу Start (Запуск). Мультиварка перейдет в режим Dessert (Десерт), загорится подсветка клавиши Start (Запуск), и на экране отобразится оставшееся время.
- По окончании приготовления трижды раздастся звуковой сигнал.

**Примечание.** Для этого режима не предусмотрена функция подогрева

## ФУНКЦИЯ ПРИГОТОВЛЕНИЯ РИСА

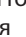
- Поместите необходимое количество риса в чашу, используя прилагаемый мерный стакан — рис. 4. Наполните чашу холодной водой до соответствующей отметки CUP (СТАКАН), нанесенной на чашу — рис. 2.
- Закройте крышку.

**Примечание. Всегда сначала засыпайте рис — в противном случае будет слишком много воды.**

Для выбора функции Rice (Рис) нажмите на клавишу Menu (Меню). На экране отобразится , подсветка клавиши Start (Запуск) начнет мигать. Нажмите на клавишу Start (Запуск). Мультиварка перейдет в режим Rice (Рис), загорится подсветка клавиши Start (Запуск), и на экране начнет мигать знак «--». Время не отображается, т.к. прибор определяет его автоматически и может изменить в процессе приготовления.

- По окончании процесса готовки трижды раздастся звуковой сигнал, и мультиварка перейдет в режим подогрева. В этот момент включится индикатор Keep Warm (Подогрев), и на экране начнется отсчет времени, в течение которого пища будет поддерживаться теплой.

## ФУНКЦИЯ ПРИГОТОВЛЕНИЯ ПЛОВА/РИЗОТТО

- Для выбора функции Pilaf/Risotto (Плов/Ризотто) нажмите на клавишу Menu (Меню). На экране отобразится , подсветка клавиши Start (Запуск) начнет мигать. Нажмите на клавишу Start (Запуск). Мультиварка перейдет в режим Pilaf/Risotto (Плов/Ризотто), загорится подсветка клавиши Start (Запуск), и на экране начнет мигать знак «--». Время не отображается, т.к. прибор определяет его автоматически и может изменить в процессе приготовления.
- По окончании процесса готовки трижды раздастся звуковой сигнал, и мультиварка перейдет в режим подогрева. В этот момент включится индикатор Keep Warm (Подогрев), и на экране начнется отсчет времени, в течение которого пища будет поддерживаться теплой.

## РЕКОМЕНДАЦИИ ДЛЯ НАИЛУЧШЕГО РЕЗУЛЬТАТА ПРИГОТОВЛЕНИЯ РИСА (функции «Рис» и «Плов/Ризотто»)

- Перед приготовлением отмерьте рис при помощи мерного стакана и промойте его (за исключением риса для ризотто).
- Поместите промытый рис в чашу и хорошо распределите его по всей поверхности чаши. Заполните чашу водой до соответствующего уровня (деления в стаканах).
- По окончании процесса приготовления риса, когда загорится индикатор Keep Warm (Подогрев), помешайте рис и оставьте его в мультиварке на несколько минут, чтобы получить идеальный рассыпчатый рис.

В таблице ниже приводятся инструкции по приготовлению риса:

ИНСТРУКЦИИ ПО ПРИГОТОВЛЕНИЮ БЕЛОГО РИСА — 10 стаканов			
Мерные стаканы	Масса риса	Уровень воды в чаше (+ рис)	Количество порций
2	300 г	Отметка «2 стакана»	3 чел. – 4 чел.
4	600 г	Отметка «4 стакана»	5 чел. – 6 чел.
6	900 г	Отметка «6 стаканов»	8 чел. – 10 чел.
8	1200 г	Отметка «8 стаканов»	13 чел. – 14 чел.
10	1500 г	Отметка «10 стаканов»	16 чел. – 18 чел.

Время и температура для приготовления риса выставляются автоматически.

Обратите внимание на наличие 7 шагов:

Прогрев => Впитывание воды => Быстрый подъем температуры => Продолжение кипячения => Выпаривание воды => Тушение риса => Подогрев.

Время приготовления зависит от количества и вида риса.

## ФУНКЦИЯ ПРИГОТОВЛЕНИЯ ПАСТЫ

- Для приготовления пасты важно дождаться, когда вода достигнет нужной температуры, прежде чем добавлять пасту.
- Для выбора функции Pasta (Паста) нажмите на клавишу Menu (Меню). На экране отобразится заданное по умолчанию время приготовления, и подсветка клавиши Start (Запуск) начнет мигать красным.
- Время приготовления можно изменить нажатием на клавишу Preset/Timer (Время/Отложенный старт) и изменением значения с помощью клавиш «+» и «-».
- Нажмите на клавишу Start (Запуск). Мультиварка перейдет в режим Pasta (Паста), загорится подсветка клавиши Start (Запуск), и на экране отобразится оставшееся время.
- Когда вода достигнет нужной температуры, мультиварка издаст звуковой сигнал. Положите пасту в воду и снова нажмите Start (Запуск), чтобы запустить таймер. Пока вы не нажмете на клавишу запуска, отсчет времени готовки не начнется, и мультиварка будет поддерживать необходимую температуру воды. В процессе приготовления пасты крышка должна быть открыта.
- По окончании приготовления трижды раздастся звуковой сигнал.

**Примечание.** Для этого режима не предусмотрена функция подогрева

## ФУНКЦИЯ РАЗОГРЕВА

- Этот режим предназначен для разогрева приготовленной пищи.
- Для выбора функции Reheat (Разогрев) нажмите на клавишу Menu (Меню). На экране отобразится заданное по умолчанию время приготовления, и подсветка клавиши Start (Запуск) начнет мигать красным.
- Время приготовления можно изменить нажатием на клавишу Preset/Timer (Время/Отложенный старт) и изменением значения с помощью клавиш «+» и «-».
- Нажмите на клавишу Start (Запуск). Мультиварка перейдет в режим Reheat (Разогрев), загорится подсветка клавиши Start (Запуск), и на экране отобразится оставшееся время.

- По окончании процесса готовки трижды раздастся звуковой сигнал, и мультиварка перейдет в режим подогрева. В этот момент включится индикатор Keep Warm (Подогрев), и на экране начнется отсчет времени, в течение которого пища будет поддерживаться теплой.

## **ВНИМАНИЕ!**

Количество холодной пищи не должно превышать  $\frac{1}{2}$  объема мультиварки. Слишком большое количество пищи не удастся разогреть равномерно. Повторное использование функции «Разогрев» или слишком маленькое количество пищи приведет к подгоранию пищи и к появлению затвердевшего слоя на дне.

Не рекомендуется разогревать плотную кашу, иначе она может стать тестообразной.

Во избежание появления неприятного запаха не разогревайте долго хранившуюся холодную пищу.

## **ФУНКЦИЯ ПОДОГРЕВА/ОТМЕНА**

- Нажмите клавишу Keep warm/ Cancel (Подогрев / Отмена) в режиме ожидания, замигает подсветка клавиши Keep warm/ Cancel (Подогрев / Отмена), на дисплее отобразится надпись «00:00» и начнется отсчет времени подогрева.
- Оставшееся время подогрева будет отображаться на дисплее, а индикатор подогрева будет гореть.
- Нажмите на клавишу Keep warm / Cancel (Подогрев / Отмена) при настройке функции или в ходе приготовления, чтобы сбросить все настройки и вернуться в режим ожидания.
- Автоматическое включение подогрева для следующего цикла приготовления можно отменить удержанием клавиши Keep warm / Cancel (Подогрев / Отмена) длинным нажатием перед запуском программы приготовления в течение 5 секунд. Индикатор Keep warm / Cancel (Подогрев / Отмена) погаснет. Если необходимо включить автоматический подогрев, нажмите клавишу еще раз и удерживайте ее в течение 5 секунд.
- Максимальное время подогрева составляет 24 часа.

**Рекомендация: чтобы не испортить вкус пищи, ограничьте время подогрева 12 часами.**

## ФУНКЦИЯ DIY (РУЧНОЙ РЕЖИМ)

- Функция Do It Yourself (Сделай сам) предназначена для записи ваших любимых рецептов.
- В режиме ожидания нажмите на клавишу DIY (Ручной режим), чтобы выбрать функцию DIY. Сначала мультиварка войдет в режим настройки функции, а на экране отобразится заданное по умолчанию время приготовления, при этом подсветка клавиши Start (Запуск) будет мигать.
- Если вы хотите задать постоянную температуру и время для программы, используйте клавиши Preset/Time (Время/Отложенный старт) и Temperature (Температура) для подтверждения настройки.
- По окончании приготовления трижды раздастся звуковой сигнал.

### Примечание.

Мультиварка запоминает последнюю настройку температуры и времени приготовления.

## ПО ЗАВЕРШЕНИИ ПРОЦЕССА ПРИГОТОВЛЕНИЯ

- Откройте крышку – рис. 1.
- При обращении с чашей и паровой корзиной следует использовать перчатку — рис. 11.
- Подайте еду, используя прилагаемую в комплекте с устройством ложку, и снова закройте крышку.
- Максимальное время поддержания тепла составляет 24 часа.
- Чтобы выключить функцию подогрева, нажмите клавишу Keep warm / Cancel (Подогрев / Отмена).
- Отключите устройство от сети.

## ОЧИСТКА И ОБСЛУЖИВАНИЕ

- Перед проведением очистки и технического обслуживания убедитесь, что мультиварка отключена от сети и полностью остыла.
- Настоятельно рекомендуется очищать устройство после каждого использования при помощи губки — рис. 12.
- Чаша, стакан и ложки для риса и супа можно мыть в посудомоечной машине — рис. 13.

## **Чаша, паровая корзина**

- Не рекомендуется использование чистящих порошков и металлических губок.
- Если пища пристала к дну, прежде чем мыть чашу, можно налить в нее воду, чтобы она отмокла.
- Насухо вытрите чашу.

## **Уход за чашей**

Для ухода за чашей следуйте инструкциям ниже:

- Для поддержания качества чаши не рекомендуется нарезать в ней продукты.
- Не забывайте помещать чашу обратно в мультиварку.
- Чтобы не повредить поверхность чаши, используйте прилагаемые пластиковые или деревянные лопатки вместо металлических — рис. 14.
- Во избежание риска образования коррозии не наливайте в чашу уксус.
- Цвет поверхности чаши может измениться после первого или длительного использования. Такие изменения цвета происходят из-за воздействия пара и воды. Они не оказывают влияния на рабочие характеристики устройства и не опасны для здоровья. Дальнейшее использование устройства абсолютно безопасно.

## **Чистка микрочлапана давления**

- Для чистки микрочлапана выньте его из крышки — рис. 15 и откройте, повернув в положение «открыто» — рис. 16а и 16б. После чистки вытрите клапан насухо, совместите два треугольника и поверните клапан в направлении «закрыто», а затем вставьте его обратно в крышку мультиварки — рис. 18а и 18б).

## **Очистка внутренней крышки**

- Извлеките внутреннюю крышку, потянув ее к себе обеими руками. Очистите крышку с помощью губки и моющего средства (рис. 17). Протрите крышку насухо, вставьте ее между 2 выступами и надавите в направлении верхней крышки до фиксации.

## **Чистка и обслуживание других частей устройства**

- Очищайте внешнюю поверхность мультиварки — рис. 19, внутреннюю часть крышки и шнур при помощи влажной тряпки. Затем вытирайте насухо. Не используйте абразивные чистящие средства.
- Не используйте воду для очистки корпуса устройства изнутри — это может привести к повреждению термодатчика.



## РУКОВОДСТВО ПО УСТРАНЕНИЮ НЕИСПРАВНОСТЕЙ

RU

Описание неисправности	Причина	Решение
Лампочка какого-либо индикатора не горит, нагрев не осуществляется.	Устройство не подключено к сети питания.	Проверьте, включен ли шнур питания в розетку и в сеть.
Лампочка любого индикатора не горит, но нагрев осуществляется.	Проблема с соединением лампочки индикатора или индикатор поврежден.	Отнесите устройство в авторизованный сервисный центр для ремонта.
В процессе использования выделяется пар.	Плохо закрыта крышка.	Откройте и вновь закройте крышку.
	Микроклапан давления вставлен неправильно или собран не полностью.	Прекратите процесс готовки (отключите устройство от сети питания) и проверьте комплектность клапана (2 части соединены друг с другом) и его правильную установку.
	Повреждена уплотнительная прокладка крышки или микроклапана давления.	Отнесите устройство в авторизованный сервисный центр для ремонта.
Рис приготовлен наполовину или превышено положенное время приготовления.	Слишком много или недостаточно воды относительно количества риса.	Обратитесь к таблице количества воды.

Описание неисправности	Причина	Решение
Рис приготовлен наполовину или превышено положенное время приготовления.	Недостаточное закипание.	
Сбой в режиме автоматического поддержания тепла (устройство остается в режиме готовки или нагрева).	Функция поддержания тепла отключена пользователем в процессе настройки. См. раздел о поддержании тепла.	Отнесите устройство в авторизованный сервисный центр для ремонта.
E0	Цепь расположенного сверху сенсора разомкнута или замкнута накоротко.	
E1	Цепь расположенного снизу сенсора разомкнута или замкнута накоротко.	Остановите устройство и перезапустите программу. Если проблема не исчезает, отнесите устройство в авторизованный сервисный центр для ремонта.
E3	Обнаружена высокая температура.	

**Примечание:** Если внутренняя чаша деформирована, не используйте ее. Замените чашу на новую в авторизованном сервисном центре.

## TEFAL/T-FAL\* МЕЖДУНАРОДНАЯ ОГРАНИЧЕННАЯ ГАРАНТИЯ

 : [www.tefal.com](http://www.tefal.com)

**Данное изделие ремонтируется TEFAL/T-FAL в течение и после окончания гарантийного срока**

Информация о порядке приобретения аксессуаров и расходных материалов доступна на интернет-сайте TEFAL/T-FAL

RU

### Гарантия

TEFAL/T-FAL гарантирует устранение любого производственного дефекта, связанного с недостатком материалов или сборки, в течение гарантийного срока, указанного в приложенном списке стран \*\*\*, начиная с даты продажи. Гарантийный срок указан для каждой страны.

Международная Гарантия производителя покрывает все расходы, связанные с восстановлением дефектного изделия до его первоначального технического состояния путем ремонта или замены неисправных деталей, включая стоимость необходимой работы по устранению выявленных недостатков. По выбору TEFAL/T-FAL вместо ремонта неисправного изделия может быть произведена его замена. Обязательства TEFAL/T-FAL и Ваш выбор в рамках данной гарантии ограничены ремонтом изделия или его заменой.

### Условия гарантии и исключения

TEFAL/T-FAL не несет обязательства по гарантийному ремонту или замене любого изделия в случае отсутствия документа, подтверждающего дату продажи. Изделие должно быть передано в авторизованный сервисный центр TEFAL/T-FAL. Адреса авторизованных сервисных центров для каждой страны можно узнать на веб-сайте TEFAL/T-FAL либо позвонив по соответствующему телефону, указанному в списке стран. Для обеспечения наилучшего послепродажного сервиса и постоянного улучшения качества обслуживания клиентов, TEFAL/T-FAL может проводить опрос всех клиентов, обратившихся в авторизованные сервисные центры TEFAL/T-FAL для ремонта или замены какого-либо изделия, с целью выявления степени удовлетворенности качеством обслуживания.

Данная гарантия распространяется только на изделия, приобретенные и используемые исключительно в личных бытовых целях и не распространяется на какие-либо неисправности, которые могли возникнуть в результате неправильного или небрежного использования; невыполнения инструкций по эксплуатации TEFAL/T-FAL; самостоятельного изменения владельцем конструкции изделия или его ремонта где-либо, кроме как в авторизованных сервисных центрах TEFAL/T-FAL, а также на любые неисправности, вызванные неправильной упаковкой изделия владельцем, или небрежной доставкой изделия любым перевозчиком. Данная гарантия не распространяется также на случаи нормального износа изделия; его обслуживание или замену расходных материалов либо аксессуаров; а также на неисправности, вызванные:

- использованием воды или расходных материалов неподходящего типа
- попаданием жидкости, пыли или насекомых внутрь изделия (исключая приборы, специально разработанные для борьбы с насекомыми)
- повреждения или неудовлетворительную работу изделия, вызванные несоответствием напряжения или частоты тока, указанными на изделии или в спецификации
- действиями непреодолимой силы (несчастный случай, пожар, наводнение, т.д.)
- профессиональным использованием или использованием в коммерческих целях
- накипью (очистка от накипи должна проводиться в соответствии с инструкцией по эксплуатации)
- механическими повреждениями или перегрузкой изделия
- повреждения каких-либо стеклянных или хрупких компонентов изделия
- повреждения, вызванные ударом молнии или скачками питающего напряжения.

### Права потребителя, предусмотренные законодательством

Данная Международная гарантия TEFAL/T-FAL не затрагивает какие-либо права потребителя, предусмотренные законодательством страны о защите прав потребителей, включая права в отношении торговой организации, в которой изделие было приобретено. Данная гарантия предоставляет потребителю специфические законные права, однако потребитель может также обладать другими законными правами, которые варьируются от страны к стране или от региона к региону. Потребитель может отстаивать любые законные права по своему собственному выбору.

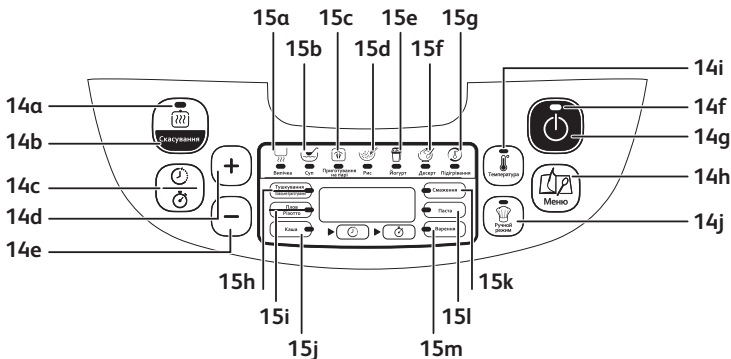
### Дополнительная информация

Срок службы изделия, установленный производителем в соответствии с законом «О защите прав потребителей», составляет два года с даты розничной продажи изделия или с даты производства, если дату продажи установить невозможно. Дата производства определяется четырьмя последними цифрами полного артикула изделия, указанного на его корпусе. Две первые цифры соответствуют номеру недели производства, две последние цифры – последним цифрам года производства изделия.

\*\*\* В случае, если изделие было приобретено в одной из перечисленных стран и использовалось в какой-либо другой стране из приведенного списка, срок международной гарантии TEFAL/T-FAL соответствует гарантийному сроку страны использования изделия, даже если изделие было приобретено в одной из других перечисленных стран с иным гарантийным сроком. Ремонт изделий, приобретенных вне страны использования, может потребовать более длительного срока, если данные изделия не поставляются TEFAL/T-FAL в страну использования; Если изделие не может быть отремонтировано в стране использования, Международная Гарантия TEFAL/T-FAL ограничивается заменой на аналогичное изделие или изделие, аналогичное по стоимости, когда это возможно.

Пожалуйста, сохраняйте данный документ для Вашей информации и предъявления в авторизованный сервисный центр при возникновении жалоб, покрываемых данной гарантией.

## ПАНЕЛЬ КЕРУВАННЯ



## ОПИС

- 1 Кошик для приготування на парі
- 2 Шкала для води і рису
- 3 Знімна чаша
- 4 Мірна чашка
- 5 Ложка для рису
- 6 Ложка для супу
- 7 Кришка
- 8 Знімна внутрішня кришка
- 9 Мікроклапан тиску
- 10 Кнопка відкриття кришки
- 11 Ручка
- 12 Корпус
- 13 Шнур живлення
- 14 Панель керування
  - a Індикатор збереження тепла/скасування
  - b Кнопка Keep warm/Cancel (Збереження тепла/Скасування)
  - c Кнопка Preset/Timer (Попереднє налаштування/Таймер)
  - d Кнопка «+»
  - e Кнопка «-»
  - f Індикатор «Запуск»
  - g Кнопка Start (Запуск)
  - h Кнопка Menu (Меню)
  - i Кнопка Temperature (Температура)
  - j Кнопка DIY (Зроби сам)
- 15 Індикатори функцій
  - a Функція випікання
  - b Функція приготування супу
  - c Функція приготування на парі
  - d Функція приготування рису
  - e Функція приготування йогурту
  - f Функція приготування десерту
  - g Функція підігрівання
  - h Функція тушкування/приготування на повільному вогні
  - i Функція приготування плову/ризото
  - j Функція приготування каші
  - k Функція утворення скоринки/смаження
  - l Функція приготування макаронних виробів
  - m Функція приготування джемів

**Прочитайте та дотримуйтеся всіх інструкцій з використання. Тримайте їх у безпечному місці.**

UK

- Цей прилад не призначений для роботи від зовнішнього таймера чи окремої системи дистанційного керування.
- Цей прилад можуть використовувати діти старші 8 років, якщо вони працюють під наглядом або були проінструктовані стосовно використання пристрою та якщо вони розуміють можливу небезпеку. Очищення та технічне обслуговування можуть здійснювати діти старші 8 років за умови нагляду за ними. Тримайте прилад і його шнур у місці, недосяжному для дітей до 8 років.
- Прилади можуть використовувати особи з обмеженими фізичними, сенсорними та розумовими можливостями або особи з недостатнім досвідом чи знаннями, якщо вони працюють під наглядом або були проінструктовані стосовно використання пристрою та якщо вони розуміють можливу небезпеку.
- Дітям забороняється гратися з приладом.
- Цей прилад не призначено для використання особами (зокрема дітьми) з обмеженими

фізичними, сенсорними чи розумовими можливостями, або такими, що мають недостатньо досвіду або знань, окрім випадків, якщо вони використовують прилад під наглядом або були проінструктовані стосовно його використання особою, відповідальною за їхню безпеку.

- Діти повинні бути під наглядом, щоб вони не бавилися з приладом.
- Оскільки цей прилад призначено для домашнього використання, його не слід використовувати в такі способи, на які не розповсюджується гарантія:
  - у кухонних зонах магазинів, офісів та інших робочих середовищ;
  - у фермерських приміщеннях;
  - клієнтами в готелях, мотелях та інших житлових приміщеннях;
  - у закладах, що надають послуги ночівлі та сніданок.
- **Якщо ваш прилад обладнаний знімним шнуром живлення:** якщо шнур живлення пошкоджений, його слід замінити спеціальним шнуром або пристроєм, який можна придбати в авторизованому сервісному центрі.
- **Якщо прилад обладнано незнімним шнуром живлення:** якщо пошкоджений шнур живлення, його слід замінити у виробника, в авторизованому

сервісному центрі або звернувшись до спеціаліста з відповідною класифікацією, щоб уникнути небезпеки.

- Забороняється занурювати прилад у воду чи будь-яку іншу рідину.
- Використовуйте вологу ганчірку або губку з рідиною для миття посуду, щоб очистити аксесуари та деталі, що контактують із продуктами харчування. Змийте вологою ганчіркою або губкою. Висушіть аксесуари, що контактують з їжею, сухою тканиною.
- Якщо символ  зазначений на приладі, цей символ означає «Обережно: поверхня може нагріватися під час використання».
- Обережно: поверхня нагрівального елемента зберігає залишкове тепло після використання.
- Обережно: ризик травмування через неправильне використання приладу.
- Обережно: якщо ваш прилад має знімний шнур живлення, не розливайте рідину на роз'єм.
- Завжди вимикайте прилад із розетки.
  - відразу ж після використання;
  - під час переміщення;
  - перед будь-яким очищенням або технічним обслуговуванням;
  - якщо він не працює належним чином.

- Опіки можуть виникати в разі контакту з гарячою поверхнею приладу, гарячою водою, паром або їжею.
- Під час приготування прилад виділяє тепло та пару. Тримайте подалі обличчя та руки.
- Не наближайте обличчя та руки до отвору виходу пари. Не перекривайте отвір для виходу пари.
- У разі виникнення будь-яких проблем або запитань зателефонуйте до гарячої лінії або відвідайте наш веб-сайт [www.tefal.ua](http://www.tefal.ua).
- Прилад можна використовувати на висоті до 4000 метрів над рівнем моря.
- Для вашої безпеки цей прилад відповідає нормам безпеки та директивам, що діють на момент виготовлення (Директива щодо низьковольтного обладнання, електромагнітної сумісності, матеріалів, що контактують із харчовими продуктами, довкілля...).
- Перевірте, чи відповідає напруга мережі живлення зазначеній на приладі (для змінного струму).
- Враховуючи всі різні стандарти, які діють, якщо цей прилад використовується не в країні покупки, переконайтесь, що його перевірено в авторизованому сервісному центрі.



## ПІДКЛЮЧЕННЯ ДО ДЖЕРЕЛА ЖИВЛЕННЯ

- Не використовуйте прилад, якщо:
  - прилад або шнур пошкоджено;
  - прилад впав, має видимі ознаки пошкодження або не працює належним чином.
  - У наведених вище випадках пристрій необхідно надіслати в авторизований сервісний центр. Не розбирайте прилад самостійно.
- Не допускайте звисання шнура.
- Завжди підключайте прилад до заземленої розетки.
- Забороняється використання подовжувача. Якщо ви берете на себе відповідальність, використовуйте тільки подовжувач, який перебуває в хорошому стані, має вилку із заземленням і підходить для потужності приладу.
- Не виймайте вилку з розетки, витягаючи її за шнур.

## ВИКОРИСТАННЯ

- Використовуйте прилад на рівній, стійкій, термостійкій робочій поверхні, подалі від бризок води.
- Не допускайте потрапляння води на основу приладу.
- Ніколи не намагайтесь експлуатувати прилад із пустою чашею або взагалі без чаші.
- Функція/ручка керування приготуванням має вільно переключатися. Не запобігайте й не перешкоджайте автоматичному перемиканню на функцію збереження тепла.
- Не виймайте чашу під час роботи приладу.
- Не ставте пристрій безпосередньо на гарячу поверхню або будь-яке інше джерело тепла чи полум'я, оскільки це призведе до пошкодження або небезпеки.
- Чаша та нагрівальна пластина мають бути в безпосередньому контакті. Будь-який предмет або їжа, що потрапили між цими двома частинами, перешкоджатимуть належній роботі.
- Не ставте прилад поблизу джерела тепла або в гарячу духовку, оскільки це може призвести до серйозного пошкодження.
- Не кладіть їжу й не наливайте воду в прилад, коли в нього не встановлено чашу.

- Дотримуйтеся рівнів, зазначених у рецептах.
- Якщо будь-яка частина приладу загорілася, не намагайтеся залити її водою. Погасіть вогонь вологим чайним рушником.
- Будь-який ремонт має здійснюватися лише сервісним центром із використанням оригінальних запасних частин.

## ЗАХИСТ ДОВКІЛЛЯ

- Цей пристрій призначений для експлуатації протягом багатьох років. Однак, коли ви вирішите замінити його, потурбуйтеся про збереження навколишнього середовища.
- Перед тим, як викинути пристрій, слід вийняти акумулятор із таймера та віднести його для утилізації в місцевий центр збирання відходів (залежно від моделі).



### ■ Піклуйтеся про довкілля!

- ① Ваш прилад містить матеріали, придатні для утилізації і вторинної переробки.
- ➔ Віднесіть його до місцевого пункту збирання відходів.

## ПЕРЕД ПЕРШИМ ВИКОРИСТАННЯМ

### Розпакування приладу

- Вийміть прилад з упаковки і розпакуйте всі аксесуари та друковані документи.
- Відкрийте кришку, натиснувши кнопку відкриття на корпусі – мал.1. **Уважно прочитайте інструкції та дотримуйтеся рекомендованих способів використання.**

UK

### Очищення приладу

- Вийміть чашу – мал.2, внутрішню кришку та клапан регулювання тиску – мал.3а та 3б.
- Помийте чашу, клапан і внутрішню кришку губкою, додавши миючого засобу.
- Протріть зовнішню поверхню приладу та кришку вологою ганчіркою.
- Ретельно висушіть.
- Поверніть усі елементи у вихідне положення. Установіть внутрішню кришку в правильне положення на верхній кришці приладу. Потім установіть внутрішню кришку між 2 виступами і натисніть на неї зверху, доки вона не зафіксується. Вставте знімний шнур живлення в роз'єм в основі мультитварки.

## ДЛЯ ПРИЛАДУ ТА ВСІХ ФУНКЦІЙ

- Обережно витирайте чашу ззовні (особливо знизу). Переконайтесь у відсутності сторонніх залишків їжі чи рідини знизу чаші та на нагрівальному елементі – мал. 5.
- Помістіть чашу в прилад, переконавшись, що її правильно встановлено – мал. 6.
- Переконайтесь в тому, що внутрішня кришка встановлена правильно.
- Закрийте кришку до клацання.
- Вставте шнур живлення в роз'єм в основі мультитварки, а потім вставте вилку в розетку. Пристрій видасть довгий звуковий сигнал, усі індикатори на блоці керування засвітяться на мить. Після цього на екрані буде відображено «---», усі індикатори вимкнуться. Прилад перейде в режим очікування, і ви зможете вибрати в меню потрібні функції.

- Не торкайтеся нагрівального елемента, коли виріб під'єднано до мережі, або після приготування. Не переносьте пристрій під час використання або відразу після приготування.
- Цей прилад призначено лише для використання в приміщенні.

**Ніколи не кладіть руку на отвір для випуску пари під час приготування їжі, тому що є загроза отримання опіків – мал. 10. Після початку приготування, якщо ви бажаєте змінити вибрану програму приготування через помилку, натисніть кнопку KEEP WARM/CANCEL (Збереження тепла/Скасування) і повторно виберіть у меню потрібну програму.**

**Використовуйте тільки внутрішню чашу, яка входить в комплект постачання приладу.**

**Не наливайте воду і не кладіть продукти в прилад, коли в ньому немає чаші.**

**Максимальна кількість води та інгредієнтів не має перевищувати найвищу позначку всередині чаші – мал. 7.**

## ТАБЛИЦЯ ПРОГРАМ ПРИГОТУВАННЯ

Програми	Час за замовчуванням	Час приготування		Затримка запуску		За замовчуванням		Температура		Положення кришки		Збереження тепла
		Діапазон	Крок	Діапазон	Крок	Температура (°C)	Діапазон (°C)	Закрита	Відкрита			
Випікання	45 хв	5 хв–4 год	5 хв	Час приготування ~24 год	5 хв	160 °C	120/140/160	*			*	
Утворення скоринки/смаження	20 хв	5 хв–1 год 30 хв	1 хв	-		160 °C	120/130/140/150/160	*	*		*	
Суп	1 год	5 хв–3 год	5 хв	Час приготування ~24 год	5 хв	Авто	-	*			*	
Тушування/приготування на повільному вогні	4 год	20 хв–9 год	5 хв	Час приготування ~24 год	5 хв	100 °C	80/100/120	*			*	
Пара	30 хв	5 хв–3 год	5 хв	Час приготування ~24 год	5 хв	100 °C	-	*			*	
Рис	Авто	Авто	-	Час приготування ~24 год	5 хв	Авто	-	*			*	
Пілоє/ризото	Авто	Авто	-	Час приготування ~24 год	5 хв	Авто	-	*			*	
Десерт	45 хв	5 хв–2 год	5 хв	Час приготування ~24 год	5 хв	130 °C	100/130/160	*			*	
Каша	25 хв	5 хв–2 год	5 хв	Час приготування ~24 год	5 хв	Авто	-	*			*	
Йогурт	8 год	1–12 год	15 хв			40 °C	-	*			*	
Варення	1 год	5 хв–3 год	5 хв	Час приготування ~24 год	5 хв	105 °C	-	*	*		*	
Макаронні вироби	10 хв	3 хв–3 год	1 хв	Час приготування ~24 год	5 хв	100 °C	-	*	*		*	
Підігрівання	25 хв	5 хв–1 год	5 хв	-		100 °C	-	*			*	
Збереження тепла	Авто	Авто				75 °C	-	*	*		*	
Зробити сам	30 хв	5 хв–9 год	5 хв	Час приготування ~24 год	5 хв	100 °C	40-160 інтервал 10 °C	*	*		*	

### 1. КНОПКА START (ЗАПУСК)

- Натисніть, щоб почати процес приготування.

### 2. КНОПКА MENU (МЕНЮ)

- У режимі очікування натисніть кнопку Menu (Меню) для циклічного перемикання між такими функціями: Baking (Випічка) → Soup (Суп) → Steam (Приготування на парі) → Rice (Рис) → Yogurt (Йогурт) → Dessert (Десерт) → Reheat (Розігрівання) → Stew/Slow Cook (Тушкування/Приготування на повільному вогні) → Pilaf/Risotto (Плов/Ризото) → Porridge (Каша) → Crust/Fry (Смаження) → Pasta (Макарони) → Jam (Джем).
- На екрані відображається час приготування за замовчуванням для кожної функції (крім програм Rice (Рис), Pilaf/Risotto (Плов/Ризото)). Індикатор кнопки Start (Запуск) блимає, і підсвічується відповідна функція.

### Примітка.

Ви можете натиснути й утримувати кнопку Menu (Меню), щоб вимкнути звукові сигнали, якщо потрібно (доки не почуєте довгий звуковий сигнал). Якщо ви бажаєте ввімкнути звукові сигнали, необхідно натиснути кнопку меню ще раз.

### 3. Кнопка Preset/Timer (Попереднє налаштування/Таймер)

- Таймер: Ви можете налаштувати час приготування (крім програм Rice (рис), Pilaf/Risotto (плов/ризото)). Коли обрано режим приготування, на цифровому дисплеї відображається час приготування. Натисніть кнопку Preset/Timer (Попереднє налаштування/Таймер) один раз (індикатор таймера ввімкнеться), а потім за допомогою кнопок +/- встановіть час приготування.
- Попереднє налаштування: Час попереднього налаштування відповідає часу закінчення приготування, за винятком Crust/Fry (смаження), Yogurt (йогурт), Reheat (розігрів). Після вибору потрібного режиму приготування двічі натисніть кнопку Preset/Timer (Попереднє налаштування/таймер) (індикатор попереднього налаштування ввімкнеться), а потім натисніть кнопку +/-, щоб встановити таймер. Приготування розпочнеться після закінчення встановленого часу.
- Коли ви вибрали необхідний час, натисніть кнопку Start (Запуск),

щоб перейти до режиму приготування. Індикатор Start (Запуск) світитиметься, відобразатиметься час, який ви вибрали, та піктограма попереднього налаштування.

- Коли піктограма попереднього налаштування зникне, мультиварка перейде до приготування і загориться піктограма таймера.
- Максимальна затримка запуску – 24 години. Якщо попередньо встановлений час менший за час приготування, приготування розпочнеться негайно.

#### 4. **КНОПКИ «+/-»**

- Використовуйте ці кнопки, щоб відрегулювати час приготування (+/- 1, 5 або 15 хвилин) та заданий час (+/- 5 хв). Ви не можете налаштувати час приготування в режимі Rice (Рис), Pilaf/Risotto (Плов/Ризото) і змінити попередньо встановлений час у режимі Crust/Fry (Смаження), Yogurt (Йогурт), Reheat (Позігрів).

#### 5. **Кнопка “Keep warm/Cancel” (Збереження тепла/Скасування)**

- У режимі очікування натисніть кнопку збереження тепла/скасування, щоб розігріти їжу та підтримувати її теплою.
- Натисніть клавішу збереження тепла/скасування, щоб зупинити процес приготування або скасувати всі налаштування. Мультиварка повернеться в режим очікування.
- Докладніше див. в описі функції ЗБЕРЕЖЕННЯ ТЕПЛА/СКАСУВАННЯ

#### 6. **Кнопка Temperature (Температура)**

- Щоб використовувати функцію температури, спочатку виберіть програму для приготування та час приготування (доступно лише для випічки, смаження, тушкування/приготування на повільному вогні, десерту та «зроби сам»). Потім натисніть клавішу Temperature (Температура) і виберіть температуру. Встановлена за замовчуванням температура змінюватиметься залежно від обраної програми приготування. Кожне натискання кнопок «+» і «-» може збільшити або зменшити температуру.
- Коли ви вибрали температуру, натисніть кнопку Start (Запуск), щоб перейти до режиму приготування. Індикатор Start (Запуск) світитиметься.
- Ви можете змінити температуру під час приготування, натиснувши кнопку Temperature (Температура). Після вибору температури, якщо не виконувати жодних дій протягом 5 секунд, мультиварка продовжить виконувати програму приготування з новим налаштуванням.

## ФУНКЦІЯ ПРИГОТУВАННЯ КАШІ

- Натисніть кнопку Menu (Меню), щоб вибрати функцію Porridge (Каша). На дисплеї відобразиться час приготування за замовчуванням, індикатор Start (Запуск) блимає червоним кольором.
- Ви можете змінити час приготування, спочатку натиснувши клавішу Preset / Timer (Попереднє налаштування/Таймер), а потім натискайте клавіші «+» та «-».
- Натисніть кнопку Start (Запуск). Мультиварка переходить у режим приготування Porridge (Каша), індикатор Start (Запуск) світиться, і на екрані відображається час, що залишився.
- Наприкінці приготування пролунають три звукові сигнали, мультиварка перейде в режим збереження тепла, увімкнеться індикатор Keep Warm (Збереження тепла), і на екрані почнеться відлік часу збереження тепла.

## ФУНКЦІЯ ПРИГОТУВАННЯ СУПУ

- Натисніть кнопку Menu (Меню), щоб вибрати функцію Soup (Суп). На дисплеї відобразиться час приготування за замовчуванням, індикатор Start (Запуск) блимає червоним кольором.
- Ви можете змінити час приготування, спочатку натиснувши клавішу Preset / Timer (Попереднє налаштування/Таймер), а потім натискайте клавіші «+» та «-».
- Натисніть кнопку Start (Запуск). Мультиварка переходить у режим приготування Soup (Суп), індикатор Start (Запуск) світиться, і на екрані відображається час, що залишився.
- Наприкінці приготування пролунають три звукові сигнали, мультиварка перейде в режим збереження тепла, увімкнеться індикатор Keep Warm (Збереження тепла), і на екрані почнеться відлік часу збереження тепла.

## ФУНКЦІЯ ПРИГОТУВАННЯ НА ПАРІ

- Натисніть кнопку Menu (Меню), щоб вибрати функцію Steam (Пара). На дисплеї відобразиться час приготування за замовчуванням, індикатор Start (Запуск) блимає червоним кольором.
- Ви можете змінити час приготування, спочатку натиснувши клавішу Preset / Timer (Попереднє налаштування/Таймер), а потім натискайте клавіші «+» та «-».
- Натисніть кнопку Start (Запуск). Мультиварка переходить у режим приготування Steam (Пара), індикатор Start (Запуск) світиться, і на екрані відображається час, що залишився.
- Наприкінці приготування пролунають три звукові сигнали, мультиварка перейде в режим збереження тепла, увімкнеться індикатор Keep Warm (Збереження тепла), і на екрані почнеться відлік часу збереження тепла.

## ФУНКЦІЯ ВИПІКАННЯ

- Натисніть кнопку Menu (Меню), щоб вибрати функцію Baking (Випікання). На дисплеї відобразиться час приготування за замовчуванням, індикатор Start (Запуск) блимає червоним кольором.
- Ви можете змінити час приготування, спочатку натиснувши кнопку Preset/Timer (Попереднє налаштування/Таймер), а потім натискайте клавіші «+» та «-». Натисніть клавішу Temperature (Температура) для вибору температури.
- Натисніть кнопку Start (Запуск). Мультиварка переходить у режим приготування Baking (Випічка), індикатор Start (Запуск) світиться, і на екрані відображається час, що залишився.
- Наприкінці приготування пролунають три звукові сигнали, мультиварка перейде в режим збереження тепла, увімкнеться індикатор Keep Warm (Збереження тепла), і на екрані почнеться відлік часу збереження тепла.



## ФУНКЦІЯ ПРИГОТУВАННЯ ДЖЕМІВ

- Натисніть кнопку Menu (Меню), щоб вибрати функцію Jam (Джем). На дисплеї відобразиться час приготування за замовчуванням, індикатор Start (Запуск) блимає червоним кольором.
- Ви можете змінити час приготування, спочатку натиснувши кнопку Preset/Timer (Попереднє налаштування/Таймер), а потім натискайте клавіші «+» та «-».
- Натисніть кнопку Start (Запуск). Мультиварка переходить у режим приготування Jam (Джем), індикатор Start (Запуск) світиться, і на екрані відображається час, що залишився.
- Наприкінці приготування пролунають три звукові сигнали.

**Примітка.** У цій програмі збереження тепла не передбачено

## ФУНКЦІЯ СМАЖЕННЯ

- Натисніть кнопку Menu (Меню), щоб вибрати функцію Crust Fry (Смаження). На дисплеї відобразиться час приготування за замовчуванням, індикатор Start (Запуск) блимає червоним кольором.
- Ви можете змінити час приготування, спочатку натиснувши кнопку Preset/Timer (Попереднє налаштування/Таймер), а потім натискайте клавіші «+» та «-». Натисніть клавішу Temperature (Температура) для вибору температури.
- Натисніть кнопку Start (Запуск). Мультиварка переходить у режим приготування Crust/Fry (Смаження), індикатор Start (Запуск) світиться, і на екрані відображається час, що залишився.
- Наприкінці приготування пролунають три звукові сигнали, мультиварка перейде в режим збереження тепла, увімкнеться індикатор Keep Warm (Збереження тепла), і на екрані почнеться відлік часу збереження тепла.

**Примітка.** Завжди використовуйте цю функцію з олією та продуктами. Якщо використовувати цю функцію лише з олією, це може призвести до несправності або небезпеки.

## ФУНКЦІЯ ТУШКУВАННЯ/ПРИГОТУВАННЯ НА ПОВІЛЬНОМУ ВОГНІ

- Натисніть кнопку Menu (Меню), щоб вибрати функцію Stew/Slow Cook (Тушкування/приготування на повільному вогні). На дисплеї відобразиться час приготування за замовчуванням, індикатор Start (Запуск) блимає червоним кольором.
- Ви можете змінити час приготування, спочатку натиснувши кнопку Preset/Timer (Попереднє налаштування/Таймер), а потім натискайте клавіші «+» та «-». Натисніть клавішу Temperature (Температура) для вибору температури.
- Натисніть кнопку Start (Запуск). Мультиварка переходить у режим приготування Stew/Slow Cook (Тушкування/приготування на повільному вогні), індикатор Start (Запуск) світиться, і на екрані відображається час, що залишився.
- Наприкінці приготування пролунають три звукові сигнали, мультиварка перейде в режим збереження тепла, увімкнеться індикатор Keep Warm (Збереження тепла), і на екрані почнеться відлік часу збереження тепла.

## ФУНКЦІЯ ПРИГОТУВАННЯ ЙОГУРТУ

- Натисніть кнопку Menu (Меню), щоб вибрати функцію Yogurt (Йогурт). На дисплеї відобразиться час приготування за замовчуванням, індикатор Start (Запуск) блимає червоним кольором.
- Ви можете змінити час приготування, спочатку натиснувши кнопку Preset/Timer (Попереднє налаштування/Таймер), а потім натискайте клавіші «+» та «-».
- Натисніть кнопку Start (Запуск). Мультиварка переходить у режим приготування Yogurt (Йогурт), індикатор Start (Запуск) світиться, і на екрані відображається час, що залишився.
- Наприкінці приготування пролунають три звукові сигнали.

**Примітка.** Збереження тепла по завершенню приготування не передбачено. Використовуйте для виготовлення йогурту жаростійку скляну тару.

# ВИБІР ІНГРЕДІЄНТІВ ДЛЯ ЙОГУРТУ

## Молоко

### Яке молоко слід використовувати?

Усі наші рецепти (якщо інше не вказано) готуються за допомогою коров'ячого молока. Ви можете скористатися рослинним молоком, наприклад соєвим, а також овечим або козячим молоком, але в цьому разі густина йогурту може відрізнятись залежно від молока. Сире молоко або молоко тривалого зберігання та будь-яке молоко, описане нижче, підходять для вашого приладу:

- **Стерилізоване молоко тривалого зберігання:** У результаті використання цільного молока, підданого високотемпературній обробці, йогурт виходить густіший. У результаті використання напівзнежиреного молока виходить менш густий йогурт. Однак ви можете скористатися напівзнежиреним молоком і додати одну або дві чашки порошкового молока.
- **Пастеризоване молоко:** це молоко дає більш густий йогурт з невеликою плівкою зверху.
- **Сире молоко (фермерське молоко):** його необхідно прокип'ятити. Також рекомендується прокип'ятити його протягом тривалого часу. Використання такого молока без кип'ятіння може бути небезпечне. Потім необхідно обов'язково дати йому охолонути, перш ніж використовувати його в приладі. Приготування за допомогою йогурту, зробленого із сирого молока, не рекомендується.
- **Порошкове молоко:** у результаті використання порошкового молока вийде дуже густий йогурт. Дотримуйтеся вказівок виробника на упаковці.

**Використовуйте цільне молоко, бажано піддане високотемпературній обробці.**

**Сире (свіже) або пастеризоване молоко необхідно прокип'ятити, а потім остудити, і з нього необхідно знімати пінку.**

## ФУНКЦІЯ ПРИГОТУВАННЯ ДЕСЕРТУ

- Натисніть кнопку Menu (Меню), щоб вибрати функцію Dessert (Десерт). На дисплеї відобразиться час приготування за замовчуванням, індикатор Start (Запуск) блимає червоним кольором.
- Ви можете змінити час приготування, спочатку натиснувши кнопку Preset/Timer (Попереднє налаштування/Таймер), а потім натискайте клавіші «+» та «-». Натисніть клавішу Temperature (Температура) для вибору температури.
- Натисніть кнопку Start (Запуск). Мультиварка переходить у режим приготування Dessert (Десерт), індикатор Start (Запуск) світиться, і на екрані відображається час, що залишився.
- Наприкінці приготування пролунають три звукові сигнали.

**Примітка.** У цій програмі збереження тепла не передбачено

## ФУНКЦІЯ ПРИГОТУВАННЯ РИСУ

- Насипте необхідну кількість рису в чашу за допомогою мірного стакана, що входить у комплект – мал. 4. Потім наповніть холодною водою до відповідної позначки «CUP» (СТАКАН), надрукованої на чаші – мал.2.
- Закрийте кришку.

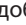

**Примітка. Завжди додавайте рис спочатку, інакше у вас буде забагато води.**

Натисніть кнопку Menu (Меню), щоб вибрати функцію Rice (Рис). На екрані відобразиться «:::», індикатор Start (Запуск) блиматиме, а потім натисніть кнопку Start (Запуск). Мультиварка переходить у режим приготування Rice (Рис), індикатор Start (Запуск) світиться, і на екрані блимає «--». Час не відображається на дисплеї, оскільки мультиварка готує автоматично і час приготування може змінюватися під час циклу.

- Наприкінці приготування пролунають три звукові сигнали, мультиварка перейде в режим збереження тепла, увімкнеться індикатор Keep Warm (Збереження тепла), і на екрані почнеться відлік часу збереження тепла.

## ФУНКЦІЯ ПРИГОТУВАННЯ ПЛОВУ/РИЗОТО

- Натисніть кнопку Menu (Меню), щоб вибрати функцію Pilaf/Risotto

(Плов/Ризото). На екрані відобразиться «», індикатор Start (Запуск) блиматиме, а потім натисніть кнопку Start (Запуск). Мультиварка переходить у режим приготування Pilaf/Risotto (Плов/Ризото), індикатор Start (Запуск) світиться, і на екрані блимає «». Час не відображається на дисплеї, оскільки мультиварка готує автоматично і час приготування може змінюватися під час циклу.

- Наприкінці приготування пролунають три звукові сигнали, мультиварка перейде в режим збереження тепла, увімкнеться індикатор Keep Warm (Збереження тепла), і на екрані почнеться відлік часу збереження тепла.

## РЕКОМЕНДАЦІЇ ЩОДО НАЙКРАЩОГО ПРИГОТУВАННЯ РИСУ (функції Rice (Рис) і Pilaf/Risotto (Плов/Ризото))

- Перед приготуванням відміряйте рис мірним стаканом та промийте, крім рису для ризото.
- Насипте промитий рис і добре розподіліть його по всій поверхні чаші. Наповніть її водою до відповідного рівня (шкала в стаканах).
- Коли рис буде готовий і загориться індикатор Keep Warm (Збереження тепла), перемішайте рис і залиште його ще на кілька хвилин у мультиварці, щоб отримати ідеальний розсипчастий рис.

У таблиці нижче наведено рекомендації з приготування рису:

ПОСІБНИК ІЗ ПРИГОТУВАННЯ БІЛОГО РИСУ – 10 стаканів

Мірні стакани	Вага рису	Рівень води в чаші (+ рис)	Порції
2	300 г	Позначка 2 чашки	3 – 4 особи
4	600 г	Позначка 4 чашки	5 – 6 осіб
6	900 г	Позначка 6 чашок	8 – 10 осіб
8	1200 г	Позначка 8 чашок	13 – 14 осіб
10	1500 г	Позначка 10 чашок	16 – 18 осіб

Час і температура приготування рису визначаються автоматично. Зверніть увагу, приготування складається з 7 етапів: попереднє нагрівання => поглинання води => швидке підвищення температури => кип'ятіння => випаровування води => тушкування рису => збереження тепла. Час приготування залежить від кількості й типу рису.

## ФУНКЦІЯ ПРИГОТУВАННЯ МАКАРОННИХ ВИРОБІВ

- Для приготування макаронних виробів важливо зачекати, доки вода не досягне потрібної температури, перш ніж додавати макаронні вироби.
- Натисніть кнопку Menu (Меню), щоб вибрати функцію Pasta (Макарони). На дисплеї відобразиться час приготування за замовчуванням, індикатор Start (Запуск) блимає червоним кольором.
- Ви можете змінити час приготування, спочатку натиснувши кнопку Preset/Timer (Попереднє налаштування/Таймер), а потім натискайте клавіші «+» та «-».
- Натисніть кнопку Start (Запуск). Мультиварка переходить у режим приготування Pasta (Макарони), індикатор Start (Запуск) світиться, і на екрані відображається час, що залишився.
- Мультиварка подасть звуковий сигнал, коли досягне необхідної температури. Покладіть макарони у воду і знову натисніть кнопку запуску, щоб запустити таймер. Доки користувач не натисне кнопку запуску, відлік часу приготування не почнеться і мультиварка підтримуватиме температуру води в чаші. Під час приготування макаронних виробів кришка має бути відкрита.
- Наприкінці приготування пролунають три звукові сигнали.

**Примітка.** У цій програмі збереження тепла не передбачено

## ФУНКЦІЯ ПІДГРІВАННЯ

- Ця функція призначена для підігріву тільки готової їжі.
- Натисніть кнопку Menu (Меню), щоб вибрати функцію Reheat (Підігрівання). На дисплеї відобразиться час приготування за замовчуванням, індикатор Start (Запуск) блимає червоним кольором.
- Ви можете змінити час приготування, спочатку натиснувши кнопку Preset/Timer (Попереднє налаштування/Таймер), а потім натискайте клавіші «+» та «-».

- Натисніть кнопку Start (Запуск). Мультиварка переходить у режим приготування Reheat (Підігрівання), індикатор Start (Запуск) світиться, і на екрані відображається час, що залишився.
- Наприкінці приготування пролунають три звукові сигнали, мультиварка перейде в режим збереження тепла, увімкнеться індикатор Keep Warm (Збереження тепла), і на екрані почнеться відлік часу збереження тепла.

### **ОБЕРЕЖНО!**

Холодна їжа не має перевищувати  $\frac{1}{2}$  об'єму мультиварки. Якщо їжі забагато, вона може не повністю підігрітися. Повторне використання функції Reheat (Підігрівання) або замала кількість їжі призведе до підгоряння їжі та утворення твердого шару на дні.

Не рекомендується розігрівати густу кашу, інакше вона може стати клейкою.

Не розігрівайте холодну їжу, яка довго зберігається, щоб уникнути поганого запаху.

### **ФУНКЦІЯ ЗБЕРЕЖЕННЯ ТЕПЛА/СКАСУВАННЯ**

- Натисніть клавішу Keep warm / Cancel (Збереження тепла/ скасування) в режимі очікування, індикатор збереження тепла/ скасування блиматиме, на екрані з'явиться «00:00» і почнеться відлік часу збереження тепла.
- Час розігріву, що залишився, відобразатиметься на дисплеї, і увімкнеться індикатор збереження тепла.
- Натисніть кнопку Keep warm/Cancel (Збереження тепла/Скасування) під налаштуванням функції, або режим приготування скасує всі дані налаштувань та переключиться в режим очікування.
- Ви можете скасувати автоматичне збереження тепла для наступного циклу приготування, лише натиснувши клавішу Keep warm/Cancel (Збереження тепла/Скасування) та утримуючи її протягом 5 секунд. Індикатор Keep warm/ Cancel (Збереження тепла/Скасування) згасне. Щоб встановити автоматичне збереження тепла, ще раз натисніть і утримуйте кнопку протягом 5 секунд.
- Максимальний час збереження тепла – 24 години.

**Рекомендація: щоб зберегти добрий смак їжі, обмежте час збереження тепла до 12 год.**

## ФУНКЦІЯ «ЗРОБИ САМ»

- Функція «Зроби сам» – це функція запам'ятовування ваших улюблених налаштувань приготування.
- Натисніть кнопку DIY (Зроби сам), щоб вибрати режим «Зроби сам», мультиварка спочатку перейде в режим DIY (Зроби сам), і на екрані відобразатиметься час приготування за замовчуванням, а індикатор Start (Запуск) блиматиме.
- Якщо вам потрібні фіксована температура й час для вашої програми, натисніть кнопку Preset/Time (Попереднє налаштування/час), щоб вказати свої налаштування.
- Наприкінці приготування пролунають три звукові сигнали.

### **Примітка.**

Мультиварка запам'ятовує останнє налаштування температури та часу приготування для наступного використання.

## ПІСЛЯ ЗАВЕРШЕННЯ ПРИГОТУВАННЯ

- Відкрийте кришку – мал. 1.
- Необхідно використовувати рукавичку під час маніпуляцій із чашею та кошиком для приготування на парі – мал. 11.
- Подавайте їжу за допомогою ложки, що входить у комплект, і закрийте кришку.
- 24 години – максимальний час збереження тепла.
- Натисніть кнопку “Keep Warm/Cancel” для виходу з режиму підтримання температури.
- Відключіть прилад від мережі.

## ОЧИЩЕННЯ ТА ДОГЛЯД

- Необхідно від'єднати мультиварку від електромережі та дати їй повністю охолонути перед очищенням і обслуговуванням.
- Наполегливо рекомендовано протирати прилад губкою після кожного використання – мал.12.
- Чашу, стакан і ложки для рису та супу можна мити в посудомийній машині – мал.13.

### **Чаша, кошик для приготування на парі**

- Використання абразивних порошоків і металевих губок не рекомендується.



- Якщо їжа пригоріла на дні, ви можете налити воду в чашу та залишити на деякий час перед миттям.
- Ретельно висушіть чашу.

## **Догляд за чашею**

Ретельно дотримуйтесь наведених нижче інструкцій з догляду за чашею: UK

- Щоб забезпечити належну якість чаші, в ній не рекомендується різати продукти.
- Встановлюйте чашу назад у мультиварку.
- Користуйтеся пластиковою ложкою з комплекту або дерев'яною, а не металеву ложкою, щоб не пошкодити поверхню чаші – мал. 14.
- Щоб уникнути будь-якого ризику корозії, не наливайте оцет у чашу.
- Колір поверхні чаші може змінюватися після першого використання або після тривалого використання. Ця зміна кольору пов'язана з дією пари і води й не має жодного впливу на використання мультиварки та не є небезпечною для вашого здоров'я. Ви можете абсолютно безпечно продовжити її використання.

## **Очищення мікроклапана тиску**

- Під час очищення мікроклапана регулювання тиску вийміть його з кришки – мал.15 і відкрийте його, повернувши його в напрямку «open» (відкриття) – мал.16a та 16b. Після очищення витріть насухо та з'єднайте дві частини разом, повернувши в напрямку «close» (закрити), а потім установіть його назад у кришку мультиварки (мал. 18a і 18b).

## **Очищення внутрішньої кришки**

- Зніміть внутрішню кришку, натиснувши обома руками назовні. Очистіть губкою та рідиною для миття посуду (мал.17). Потім витріть насухо та встановіть на місце між 2 виступами і натисніть на неї зверху для фіксації.

## **Очищення інших частин приладу та догляд за ними**

- Очищуйте зонішню поверхню мультиварки – мал.19, внутрішню частину кришки та шнур вологою ганчіркою й витирайте насухо. Не використовуйте абразивні засоби.
- Не використовуйте воду для очищення внутрішніх частин приладу, оскільки це може пошкодити датчик температури.

## УСУНЕННЯ ТЕХНІЧНИХ НЕСПРАВНОСТЕЙ

Опис несправності	Причини	Рішення
Жоден світловий індикатор не горить, і нагрівання не відбувається.	Прилад не під'єднано до мережі.	Перевірте, чи шнур живлення підключено до роз'єму та до мережі.
Жоден світловий індикатор не горить, і нагрівання відбувається.	Проблеми з'єднання світлового індикатора, або його пошкоджено.	Відправте до авторизованого сервісного центру на ремонт.
Витік пари під час використання	Кришку закрито неправильно.	Відкрийте кришку й закрийте її знову.
	Мікроклапан регулювання тиску неправильно встановлено або не зібрано.	Зупиніть приготування їжі (від'єднайте виріб від мережі) та перевірте, чи клапан зібрано (2 частини прикріплені одна до одної) та правильно встановлено.
	Ущільнювальну прокладку кришки або мікроклапана тиску пошкоджено.	Відправте до авторизованого сервісного центру на ремонт.
Рис напівсирий або довго готується.	Забгато або недостатньо води порівняно з кількістю рису.	Див. таблицю кількості води.

Опис несправності	Причини	Рішення
Рис напівсирий або довго готується	Недостатнє кипіння на повільному вогні.	
Автоматичне збереження тепла не відбувається (прилад залишається в режимі приготування, або нагрівання не відбувається).	Функцію збереження тепла скасовано користувачем під час налаштування. Див. розділ «Функція збереження тепла».	Відправте до авторизованого сервісного центру на ремонт.
E0	Верхній датчик розімкнуто чи закорочено.	
E1	Нижній датчик розімкнуто чи закорочено.	
E3	Виявлена висока температура.	Вимкніть прилад і перезапустіть програму. Якщо проблема повторюється, відправте до авторизованого сервісного центру на ремонт.

**Зауваження.** Якщо внутрішню чашу деформовано, більше не використовуйте її та замініть на нову в уповноваженому сервісному центрі.

## TEFAL/T-FAL\* МІЖНАРОДНА ОБМЕЖЕНА ГАРАНТІЯ

 : [www.tefal.com](http://www.tefal.com)

**Даний виріб ремонтується та обслуговується TEFAL/T-FAL протягом і після закінчення гарантійного терміну та протягом терміну служби на наступних умовах**

Інформація про порядок придбання аксесуарів і витратних матеріалів доступна на інтернет-сайті TEFAL/T-FAL

### **Гарантія Даний**

TEFAL/T-FAL гарантує усунення будь-якого виробничого дефекту пов'язаного з недоліком матеріалів або складання, протягом гарантійного терміну, вказаного у доданому списку країн\*\*\*, починаючи з дати продажу. Гарантійний термін зазначено для кожної з країн.

Міжнародна Гарантія виробника покриває всі витрати, пов'язані з відновленням дефектного виробу до його первісного технічного стану через ремонт та/або заміну несправних деталей, включаючи вартість необхідної роботи з виявлення та усунення виявлених недоліків. На вибір TEFAL/T-FAL замість ремонту, несправний виріб може бути замінено. Зобов'язання TEFAL/T-FAL і Ваш вибір у рамках даної гарантії обмежені ремонтом виробу або його заміною.

### **Умови гарантії та винятки**

TEFAL/T-FAL не несе зобов'язання по гарантійному ремонту або заміні будь-якого виробу у випадку відсутності документу, що підтверджує дату продажу. Виріб повинен бути переданий в авторизований сервісний центр TEFAL/T-FAL. Адреси авторизованих сервісних центрів для кожної країни можна дізнатися на веб-сайті TEFAL/T-FAL, або зателефонувавши по відповідному телефону, вказаному у списку країн. Для забезпечення максимально якісного післяпродажного сервісу і постійного підвищення рівня задоволеності клієнтів, TEFAL/T-FAL можимте проводити опитування всіх клієнтів, які зверталися в авторизовані сервісні центри TEFAL/T-FAL для ремонту або заміни будь-якого виробу, з метою виявлення ступеня задоволеності якості обслуговування.

Дана гарантія розповсюджується лише на вироби, що придбані і використовуються виключно в особистих побутових цілях і не розповсюджується на будь-які несправності, що могли виникнути в результаті неправильного або недбалого використання; невиконання інструкції по експлуатації TEFAL/T-FAL; самостійної зміни власником інструкції виробу чи його ремонту будь-де, крім як в авторизованих сервісних центрах TEFAL/T-FAL, а також на будь-які несправності, спричинені неправильним упакуванням виробу власником, або недбалою доставкою виробу будь-яким перевізником. Дана гарантія не розповсюджується на випадки нормального спрацювання виробу; його обслуговування або заміну витратних матеріалів або аксесуарів, а також несправності, викликані:

- Використанням води або витратних матеріалів невідповідного типу
- Механічними пошкодженнями або перевантаженням виробу
- Пошкодженням або незадовільну роботу виробу, викликані невідповідністю напруги або частоти струму, зазначеними на виробі або в специфікації
- Діями непереборної сили (нешасний випадок, пожежа, повінь, і т.д.)
- Пошкодженням будь-яких скляних або крихких елементів виробу
- Потраплянням рідини, пилу або комах та інших подібних речовин всередину виробу (за винятком приладів з функціями, спеціально призначених для комах)
- Накипом (очищення від накипу треба проводити у відповідності з інструкцією з експлуатації)
- Професійним використанням або використанням у комерційних цілях
- Пошкодженням, викликаним ударом блискавки або скачками напруги живлення.

### **Права споживача, передбачені законодавством**

Дана Міжнародна Гарантія TEFAL/T-FAL не порушує будь-які права споживача, передбачені законодавством країни про захист прав споживачів, включаючи права відносно торговельної організації, у якій виріб було придбано. Ця гарантія надає споживачеві специфічні законні права, проте не може суперечити правам споживача, що встановлені чинним законодавством країни, та споживач може мати також інші законні права, які змінюються від країни до країни або від регіону до регіону. Споживач може відстоювати будь-які законні права за своїм власним вибором.

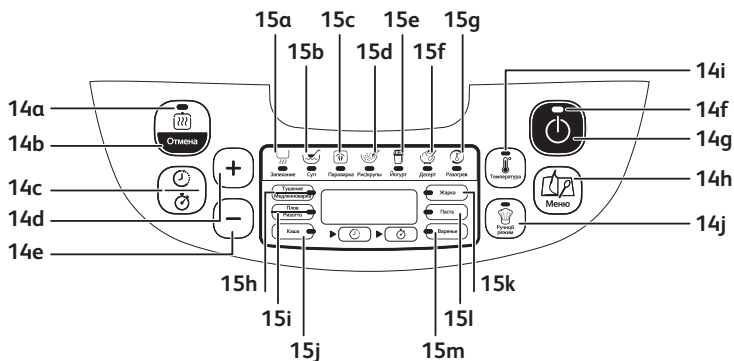
### **Додаткова інформація**

Термін служби виробу, встановлений виробником відповідно до закону «Про захист прав споживачів», становить два роки з дати роздрібною продажу виробу або з дати виробництва, якщо дату продажу встановити неможливо. Дата виробництва визначається чотирма останніми цифрами повного артикулу виробу, зазначеного на його корпусі. Дві перші цифри відповідають номеру тижня виробництва, дві останні цифри – останнім цифрам року виробництва виробу.

\*\*\* У випадку, якщо виріб був придбаний в одній з перерахованих країн і використовувався у будь-якій іншій країні з наведеного списку, термін міжнародної гарантії TEFAL/T-FAL відповідає гарантійному строку країни використання виробу, навіть якщо виріб був придбаний в одній з інших перерахованих країн з іншим гарантійним терміном. Ремонт виробів, придбаних поза країною використання, може потребувати більш тривалого терміну, якщо дані вироби не поставляються TEFAL/T-FAL в країну використання; Якщо виріб не може бути відремонтовано в країні використання, Міжнародна Гарантія TEFAL/T-FAL обмежується заміною на аналогічний виріб або виріб, з аналогічною вартістю, коли це можливо.

Будь ласка, зберігайте даний документ для Вашої інформації та пред'явлення в авторизований сервісний центр при виникненні скарг, що покриваються даною гарантією.

## БАСҚАРУ ТАҚТАСЫ



## СИПАТТАМАСЫ

- 1 Бу көрзеңкесі
- 2 Су мен күріш өлшемдері
- 3 Алынбалы табақ
- 4 Өлшеу шыныаяғы
- 5 Күріш қасығы
- 6 Ожау
- 7 Қақпақ
- 8 Алынатын ішкі қақпақ
- 9 Микро қысым клапаны
- 10 Қақпақты ашу түймесі
- 11 Тұтқа
- 12 Корпус
- 13 Қуат сымы
- 14 Басқару тақтасы
  - a «Keep warm/Cancel» (Жылуды сақтау/Бас тарту) индикаторы
  - b «Keep warm/Cancel» (Жылуды сақтау/Бас тарту) түймесі
  - c «Preset/Timer» (Алдын-ала орнатылған параметр/Таймер) түймесі
  - d «+» түймесі
  - e «-» түймесі
  - f «Start» (Қосу) индикаторы
  - g "Start" (Қосу) түймесі
  - h "Menu" (Мәзір) түймесі
  - i «Temperature» (Температура) түймесі
  - j "DIY" (Аспаз режимі) түймесі
- 15 Функция индикаторлары
  - a Нан пісіру функциясы
  - b Сорпа функциясы
  - c Буға пісіру функциясы
  - d Күріш функциясы
  - e Йогурт функциясы
  - f Десерт функциясы
  - g Жылыту функциясы
  - h Бұқтыру/баяу әзірлеу функциясы
  - i Палау/Ризотто функциясы
  - j Ботқа функциясы
  - k Қызарту/Қуыру функциясы
  - l Макарон функциясы
  - m Jam (Тосап) функциясы

KK

**Пайдалану туралы нұсқауларды оқып шығып, орындаңыз. Оларды қауіпсіз жерде сақтаңыз.**

- Бұл құрылғы сыртқы таймер немесе бөлек қашықтан басқару жүйесі арқылы пайдалануға арналмаған.
- Бұл құрылғыны 8 жастағы және одан үлкен балалар қадағалау жасалған немесе құрылғыны қауіпсіз пайдалану нұсқаулары берілген және қауіптерді толық түсінген жағдайда ғана пайдалана алады. Тазалау және техникалық қызмет көрсету процедураларын 8 жастан үлкен балалар ересектің қадағалауымен ғана жүргізуі керек. Құрылғыны және оның сымын 8 жастан кіші балалардың қолы жетпейтін жерге қойыңыз.
- Бұл құрылғыларды физикалық, сезу не ойлау қабілеті шектеулі немесе тәжірибесі мен білімі аз адамдар қадағалау жасалған немесе құрылғыны қауіпсіз пайдалану нұсқаулары берілген және қауіптерді толық түсінген жағдайда ғана пайдалана алады.
- Балалар құрылғымен ойнамауы керек.

- Бұл құрылғыны дене, сезім немесе ақыл-ой қабілеттері төмен (соның ішінде балалар), я болмаса тәжірибесі және білімі жетіспейтін адамдар тек олардың қауіпсіздігіне жауапты адамның қадағалауымен немесе сол адамның нұсқауларын алып қана пайдалана алады.
- Балалардың құрылғымен ойнамауын қадағалау керек.
- Бұл құрылғы тек үйде пайдалануға арналғандықтан, ол келесі жағдайларда пайдалануға арналмаған және кепілдік қолданылмайды:
  - Дүкендердегі, кеңселердегі және басқа жұмыс орталарындағы қызметкерлердің асүй аумақтары
  - Фермалар
  - Қонақ үйлердегі, мотельдердегі және басқа тұрғын үй түріне жататын орталардағы клиенттер
  - Төсек пен таңғы ас берілетін орындарда
- **Құрылғы алынбалы қуат сымымен жабдықталған болса:** зақымдалған болса, қуат сымын өкілетті сервистік орталықта қолжетімді арнайы сыммен немесе бөлікпен ауыстыру керек.

- **Құрылғы бекітілген қуат сымымен жабдықталған болса:** зақымдалса, кез келген қауіпті болдырмау үшін қуатпен қамту сымын өндіруші, өндірушінің сатудан кейін қызмет көрсету бөлімі немесе сол сияқты білікті тұлға ауыстыруы керек.
- Құрылғыны суға немесе ешбір басқа сұйықтыққа батырмау керек.
- Элементтерге тиіп тұратын қосалқы құралдарды және бөліктерді тазалау үшін дымқыл шүберекті немесе сорғышты және ыдыс жуу сұйықтығын пайдаланыңыз. Дымқыл шүберекпен немесе губкамен шайыңыз. Тамаққа тиетін қосалқы құралдарды және бөліктерді құрғақ шүберекпен кептіру.
- Егер таңба  құрылғыда көрінсе, бұл таңба «Сақтық ескерту: пайдалану кезінде беттер қызуы мүмкін» дегенді білдіреді.
- Сақтық ескерту: пайдаланудан кейін қыздыру элементінің бетінде қалдық жылу болуы мүмкін.
- Сақтық ескерту: құрылғыны дұрыс емес пайдалану жарақатқа әкелуі мүмкін.
- Сақтық ескерту: құрылғыда алынбалы қуат сымы бар болса, жалғағышқа сұйықтық төгіп алмаңыз.



- Мына жағдайларда құрылғыны әрқашан розеткадан ажыратыңыз:
  - пайдаланудан кейін бірден
  - жылжытқанда
  - кез келген тазалау немесе техникалық қызмет көрсету алдында
  - дұрыс жұмыс істемесе
- Құрылғының ыстық бетіне, ыстық суға, буға немесе тамаққа тию күйіктерге әкелуі мүмкін.
- Өзірлеу кезінде құрылғы жылу және бу бөледі. Бет пен қолдарды аулақ ұстаңыз.
- Бетті және қолдарды бу шығатын жерге жақындатпаңыз. Бу шығатын жерді жаппаңыз.
- Кез келген мәселелер немесе сұраулар болса, тұтынушылармен қарым-қатынастар тобына хабарласыңыз немесе веб-сайтты қараңыз.
- Құрылғыны 4000 м-ге дейінгі биіктікте пайдалануға болады.
- Қауіпсіздік үшін бұл құрылғы өндіру кезінде күшінде болған қауіпсіздік ережелерінің және директиваларының талаптарына сай (төмен кернеу туралы директива, электрманиттік үйлесімділік, тамаққа тиетін материалдар туралы ережелер, қоршаған орта...).
- Қуат көзінің кернеуі құрылғыда көрсетілгенге сай екенін тексеріңіз (айнымалы тоқ).
- Әр түрлі стандарттар қолданылатындықтан, құрылғы сатып алынған елден басқа елде пайдаланылса, бекітілген сервистік орталықта тексертіңіз.

## ҚҰАТ КӨЗІНЕ ҚОСУ

- Құрылғыны мына жағдайларда пайдаланбаңыз:
  - құрылғы немесе сым зақымдалған болса
  - құрылғы құласа, я болмаса көрінетін зақымы болса немесе тиісті түрде жұмыс істемесе
  - Жоғарыдағы жағдайда құрылғыны бекітілген сервистік орталыққа жіберу керек. Құрылғыны өзіңіз бөлшектемеңіз.
- Сымды ілінген күйде қалдырмаңыз
- Құрылғыны әрқашан жерге тұйықталған розеткаға қосыңыз.
- Ұзартқыш сым қолдануға болмайды. Жауапкершілікті қабылдасаңыз, тек жақсы күйдегі, жерге тұйықталған ашасы бар және құрылғының қуатына қолайлы ұзартқыш сымды пайдаланыңыз.
- Құрылғыны сымды тарту арқылы розеткадан ажыратуға болмайды.

## ПАЙДАЛАНУ

- Кез келген су шашырандыларынан аулақ тегіс, тұрақты, жылуға төзімді жұмыс бетін пайдаланыңыз.
- Құрылғы негізінің суға тиюіне жол бермеңіз.
- Табақ бос кезде немесе табақсыз құрылғыны пайдалануға ешқашан әрекеттенбеңіз.
- Өзірлеу функциясына/тұтқасына еркін жұмыс істеуге мүмкіндік беру керек. Функцияның жылууды сақтау функциясына автоматты түрде өзгеруіне кедергі келтірмеңіз.
- Құрылғы жұмыс істеп жатқанда табақты алмаңыз.
- Құрылғыны тікелей ыстық бетке, я болмаса кез келген басқа жылу немесе жалын көзіне қоймаңыз, өйткені бұл істен шығуға немесе қауіпке әкеледі.
- Табақ пен жылыту тақтасы тікелей жанасуы керек. Бұл екі бөліктің арасына салынған кез келген зат немесе тамақ дұрыс жұмысқа кедергі келтіреді.
- Құрылғыны жылу көзінің жанына немесе ыстық духовкаға салмаңыз, өйткені ауыр зақым тиюі мүмкін.

- Табақ орнында болғанша құрылғыға тамақты немесе суды қоймаңыз.
- Рецепттерде көрсетілген деңгейлерді ескеріңіз.
- Құрылғының кез келген бөлігі жана бастаса, сумен сөндіруге әрекеттенбеңіз. Жалындарды сөндіру үшін дымқыл сүлгіні пайдаланыңыз.
- Кез келген жөндеуді тек сервистік орталық түпнұсқалық қосалқы бөлшектер арқылы орындауы керек.

## ҚОРШАҒАН ОРТАНЫ ҚОРҒАУ

- Құрылғыңыз көп жылдар бойы жұмыс істеуге арналған. Дегенмен, оны ауыстыру туралы шешім қабылдағанда қоршаған ортаны қорғауға қалай үлес қоса алатыныңыз туралы ойлауды ұмытпаңыз.
- Құрылғыны қоқысқа лақтыру алдында таймерден батареяны алып тастау және жергілікті тұрмыстық қоқысты жинау орталығына (үлгіге сай) қалдыру керек.



### ■ Қоршаған ортаны қорғау бірінші кезекте!

- ① Құрылғы қалпына келтіруге немесе өңдеуге болатын материалдарды қамтиды.
- ➔ Оны жергілікті тұрмыстық қоқысты жинау орнында қалдырыңыз.

## АЛҒАШ ҚОЛДАНАР АЛДЫНДА

### Құрылғыны қаптамасынан шығару

- Құрылғыны қаптамасынан шығарып, керек-жарақтар мен құжаттарды ашыңыз.
- Корпусындағы арнайы түймесінен басып қақпағын ашыңыз (1-сурет).

**Нұсқаулықты оқып, онда берілген нұсқауларды мұқият орындаңыз.**

### Құрылғыны тазалау

- Тостағанды (2-сурет), ішкі қақпақты және қысым клапанын (3а және 3ә суреті) шығарыңыз.
- Тостаған, ішкі қақпақ пен қысым клапанын жуатын сұйықтық қосып, губкамен жуыңыз.
- Құрылғының сыртын, қақпағын дымқыл шүберекпен сүртіңіз.
- Жақсылап құрғатыңыз.
- Барлық бөлшектерін бастапқы орындарына салыңыз. Ішкі қақпақты құрылғының үстіңгі қақпағына дұрыстап орнатыңыз. Ішкі қақпақты 2 шығыңқы бөліктің артына қойып, орнына түскенше басыңыз. Қуат сымын пісіргіштің негізіндегі ұяға жалғаңыз.

## ҚҰРЫЛҒЫ МЕН БАРЛЫҚ ФУНКЦИЯЛАРҒА ҚАТЫСТЫ

- Табақтың сыртын мұқият сүртіңіз (әсіресе, түбін). Тостағанның түбі мен қыздыру элементінде қалдықтар немесе сұйықтық жоқ екеніне көз жеткізіңіз (5-сурет).
- Тостағанды құрылғыға салып, дұрыс орналастырыңыз (6-сурет).
- Ішкі қақпақ дұрыс тұрғанын тексеріңіз.
- Қақпақты орнына түсіріңіз, сырт еткен дыбыс шығуы керек.
- Қуат сымының бір ұшын мультипісіргіштің негізіне, содан кейін қуат көзіне жалғаңыз. Құрылғы "бип" еткен ұзақ сигнал шығарып, басқару панеліндегі барлық индикаторлар біз мезетке жанады. Экран дисплейінде "----" көрсетіліп, барлық индикаторлар өшеді. Құрылғы күту режиміне өтеді, енді мәзірден қажетті функцияны таңдауға болады.
- Өнім қуат көзіне қосылып тұрғанда және тамақ піскен кезде,

қыздыру элементін ұстауға болмайды. Жұмыс істеп тұрғанда және тамақ піскен кезде, өнімді көтеруге болмайды.

- Құрылғы іште пайдалануға ғана арналған.

**Тамақ пісіп жатқанда, қолыңызды бу шығатын саңылауға жақындатпаңыз, күйіп қалуы мүмкін (10-сурет).**

**Тамақ пісіп жатқанда, кате шығып, тандалған пісіру мәзірін өзгерту қажет болса, "KEEP WARM/CANCEL" (Жылуды сақтау/Бас тарту) түймесін басып, қажетті мәзірді тандаңыз.**

**Тек құрылғымен бірге қамтамасыз етілген ішкі табақты пайдаланыңыз.**

**Ішінде табак жоқ құрылғыға суды құймаңыз немесе ингредиенттерді салмаңыз.**

**Құйылған су мен салынған азыу-түліктердің мөлшері тостағанның ішіндегі ең жоғары белгіден аспауы керек (7-сурет).**

КК

## ПІСІРУ БАҒДАРЛАМАЛАРЫНЫҢ КЕСТЕСІ

Бағдарламалар	Өделкі уақыт	Өзірлеу уақыты		Кешіктірілген іске қосу		Өделкі Темп. (°C)	Температура Аудым (°C)	Қақпақтың орны		Жылуды сақтау
		Аудым	Реттелетін	Аудым	Реттелетін			Жабық	Ашық	
Нан пісіру	45 мин.	5 мин. — 4 сағ.	5 мин.	Пісіру уақыты — 24 сағ. дейін	5 мин.	160 °C	120/140/160	*		*
Қылаарту/Қуыру	20 мин.	5 мин. — 1 сағ. 30 мин.	1 мин.	-		160 °C	120/130/140/150/160	*	*	*
Сорпа	1 сағ.	5 мин. — 3 сағ.	5 мин.	Пісіру уақыты — 24 сағ. дейін	5 мин.	Автоматты	-	*		*
Бұқтыру/Бауу өзірлеу	4 сағ.	20 мин. — 9 сағ.	5 мин.	Пісіру уақыты — 24 сағ. дейін	5 мин.	100 °C	80/100/120	*		*
Буға пісіру	30 мин.	5 мин. — 3 сағ.	5 мин.	Пісіру уақыты — 24 сағ. дейін	5 мин.	100 °C	-	*		*
Күріш	Автоматты	Автоматты	-	Пісіру уақыты — 24 сағ. дейін	5 мин.	Автоматты	-	*		*
Папаури/ризотто	Автоматты	Автоматты	-	Пісіру уақыты — 24 сағ. дейін	5 мин.	Автоматты	-	*		*
Десерт	45 мин.	5 мин. — 2 сағ.	5 мин.	Пісіру уақыты — 24 сағ. дейін	5 мин.	130 °C	100/130/160	*		*
Ботқа	25 мин.	5 мин. — 2 сағ.	5 мин.	Пісіру уақыты — 24 сағ. дейін	5 мин.	Автоматты	-	*		*
Йогурт	8 сағ.	1-12 сағ.	15 мин.			40 °C	-	*		
Тосап	1 сағ.	5 мин. — 3 сағ.	5 мин.	Пісіру уақыты — 24 сағ. дейін	5 мин.	105 °C	-	*	*	
Макарон	10 мин.	3 мин. — 3 сағ.	1 мин.	Пісіру уақыты — 24 сағ. дейін	5 мин.	100 °C	-	*	*	
Жылыту	25 мин.	5 мин. — 1 сағ.	5 мин.	-		100 °C	-	*		*
Жылуды сақтау	Автоматты	Автоматты				75 °C	-	*		*
Аспау режимі	30 мин.	5 мин. — 9 сағ.	5 мин.	Пісіру уақыты — 24 сағ. дейін	5 мин.	100 °C	40-160 10°C/аралық	*	*	

### 1. START (ҚОСУ) ТҮЙМЕСІ

- Өзірлеу процесін бастау үшін басыңыз.

### 2. МӘЗІР ТҮЙМЕСІ

- Күту күйінде тұрғанда, <Menu> (Мәзір) түймесін басу арқылы мына функциялар арасында ауыстыруға болады: Baking (Пісіру) → Soup (Сорпа) → Steam (Буға пісіру) → Rice (Күріш) → Yogurt (Йогурт) → Dessert (Десерт) → Reheat (Жылыту) → Stew/Slow Cook (Бұқтыру/Баяу әзірлеу) → Pilaf/Risotto (Палау/Ризотто) → Porridge (Ботқа) → Crust/Fry (Қызарту/Қуыру) → Pasta (Макарон) → Jam (Тосап).
- Экранда әр функциядағы пісіру уақыты көрсетіледі (Rice (Күріш), Pilaf/Risotto (Палау/Ризотто) үшін көрсетілмейді). «Start» (Қосу) түймесінің шамы жыпылықтап, қосылған функция жанады.

### Ескертпе:

Қажет болса, «бип» дыбысынан «Menu» (Мәзір) басу арқылы бас тартуға болады (ұзақ бип дыбысына дейін). «Бип» сигналын қосу үшін «Menu» (Мәзір) түймесін қайта басыңыз.

### 3. «Preset/Timer» (Алдын-ала орнатылған параметр/Таймер) түймесі

- Таймер: Өзірлеу уақытын реттеуге болады (Rice (Күріш), Pilaf/Risotto (Палау/Ризотто) функцияларын қоспағанда). Өзірлеу режимін таңдау кезінде цифрлық дисплейде әдепкі әзірлеу уақыты көрсетіледі. Өзірлеу уақытын реттеу үшін «Preset/Timer» (Алдын-ала орнатылған параметр/Таймер) түймесін бір рет басыңыз (таймер индикаторы бір рет басылады), содан кейін +/- түймелерін басыңыз.
- Алдын-ала орнатылған параметр: Алдын-ала орнатылған уақыт әзірлеуді аяқтау уақытына сай келеді, Crust/Fry (Қызарту/қуыру), Yogurt (Йогурт), Reheat (Жылыту) функцияларын қоспағанда. Қажетті әзірлеу режимін таңдаудан кейін «Preset/Timer» (Алдын-ала орнатылған параметр/Таймер) түймесін екі рет басыңыз (алдын-ала орнатылған параметр индикаторы қосылады), содан кейін +/- түймесін пайдаланыңыз. Өзірлеу алдын-ала орнатылған уақыт өткеннен кейін басталады.
- Қажетті алдын-ала орнатылған уақытты таңдағаннан кейін

«Start» (Қосу) түймесін басып пісіру күйін енгізіңіз, «Start» (Қосу) шамы жанып, экранда таңдалған уақыт саны көрсетіледі және алдын-ала орнатылған параметр пиктограммасы жанады.

- Алдын-ала орнатылған параметр пиктограммасы кеткенде мультитісіргеш әзірлеу күйіне кіреді және таймер пиктограммасы жанады.
- Қосудың максималды кешігуі — 24 сағат. Егер алдын-ала орнатылған уақыт әзірлеу уақытынан қысқарақ болса, әзірлеу бірден басталады.

#### 4. «+/-» түймелері

- Бұл түймелерді әзірлеу уақытын (+/- 1, 5 немесе 15 минут) және алдын-ала орнатылған уақытты (+/- 5 минут) реттеу үшін пайдаланыңыз. «Rice, Pilaf/Risotto» (Күріш, Палау/Ризотто) режимінде әзірлеу уақытын реттеу мүмкін емес және «Crust/Fry, Yogurt, Reheat» (Қызарту/Қуыру, Йогурт, Жылыту) режимінде алдын-ала орнатылған уақытты реттеу мүмкін емес.

#### 5. «Keep Warm/Cancel» (Жылуды сақтау/Бас тарту) түймесі

- Күту режимінде тамақты жылыту және жылы күйде сақтау үшін жылуды сақтау/бас тарту түймесін басыңыз.
- Әзірлеу процесін тоқтату немесе барлық параметрлерден бас тарту үшін жылуды сақтау/бас тарту түймесін басыңыз. Мультитісіргіш күту режиміне оралады.
- Мәліметтерді ЖЫЛУДЫ САҚТАУ/БАС ТАРТУ функциясының сипаттамасында қараңыз.

#### 6. «Temperature» (Температура) түймесі

- Temperature (Температура) функциясын пайдалану үшін алдымен әзірлеу бағдарламасын және әзірлеу уақытын таңдаңыз (тек Baking (Әзірлеу), Crust/Fry (Қызарту/Қуыру), Stew/Slow Cook (Бұқтыру/Баяу әзірлеу), Dessert (Десерт) және DIY (Аспаз режимі) функциялары үшін қолжетімді). Содан кейін «Temperature» (Температура) түймесін басып, температураны таңдаңыз. Әдепкі пісіру температурасы таңдалған пісіру бағдарламасына байланысты өзгереді. «+» және «-» түймелерін басқан сайын температура артады немесе азаяды.
- Қажетті температураны таңдағаннан кейін, «Start» (Қосу) түймесімен пісіру күйін енгізіңіз, «Start» (Қосу) индикаторы қосылған күйін қалады.

- Тамақ пісіп жатқанда, «Temperature» (Температура) түймесі арқылы температураны өзгертуге болады. Температура таңдалғаннан кейін 5 секунд ішінде ешқандай әрекет жасалмаса, мультипісіргіш қалған уақытта жаңа параметрмен істейді.

## БОТҚА ФУНКЦИЯСЫ

- «Menu» (Мәзір) түймесін «Porridge» (Ботқа) функциясын таңдау үшін басыңыз. Экранда әдепкі пісіру уақыты көрсетіліп, «Start» (Қосу) шамы қызыл түспен жыпылықтайды.
- Әзірлеу уақытын алдымен «Preset / Timer» (Алдын-ала орнатылған параметр/Таймер) түймесін, содан кейін «+» және «-» түймелерін басу арқылы өзгертуге болады.
- «Start» (Қосу) түймесін басыңыз. Мультипісіргіш «Porridge» (Ботқа) күйіне өтіп, «Start» (Қосу) шамы жанады да, экранда қалған уақыт көрсетіледі.
- Тамақ піскенде, үш рет "бип" деген сигнал беріліп, мультипісіргіш жылуды сақтау күйіне өтеді, "Keep Warm" (Жылуды сақтау) индикаторы жанып, экранда жылу сақталған уақыт санағы жүре бастайды.

## СОРПА ФУНКЦИЯСЫ

- «Menu» (Мәзір) түймесін «Soup» (Сорпа) функциясын таңдау үшін басыңыз. Экранда әдепкі пісіру уақыты көрсетіліп, «Start» (Қосу) шамы қызыл түспен жыпылықтайды.
- Әзірлеу уақытын алдымен «Preset / Timer» (Алдын-ала орнатылған параметр/Таймер) түймесін, содан кейін «+» және «-» түймелерін басу арқылы өзгертуге болады.
- «Start» (Қосу) түймесін басыңыз. Мультипісіргіш «Soup» (Сорпа) күйіне өтіп, «Start» (Қосу) шамы жанады да, экранда қалған уақыт көрсетіледі.
- Тамақ піскенде, үш рет "бип" деген сигнал беріліп, мультипісіргіш жылуды сақтау күйіне өтеді, "Keep Warm" (Жылуды сақтау) индикаторы жанып, экранда жылу сақталған уақыт санағы жүре бастайды.



## БУҒА ПІСІРУ ФУНКЦИЯСЫ

- «Menu» (Мәзір) түймесін «Steam» (Буға пісіру) функциясын таңдау үшін басыңыз. Экранда әдепкі пісіру уақыты көрсетіліп, «Start» (Қосу) шамы қызыл түспен жыпылықтайды.
- Өзірлеу уақытын алдымен «Preset / Timer» (Алдын-ала орнатылған параметр/Таймер) түймесін, содан кейін «+» және «-» түймелерін басу арқылы өзгертуге болады.
- «Start» (Қосу) түймесін басыңыз. Мультипісіргіш «Steam» (Буға пісіру) күйіне өтіп, «Start» (Қосу) шамы жанады да, экранда қалған уақыт көрсетіледі.
- Тамақ піскенде, үш рет "бип" деген сигнал беріліп, мультипісіргіш жылуды сақтау күйіне өтеді, "Keep Warm" (Жылуды сақтау) индикаторы жанып, экранда жылу сақталған уақыт санағы жүре бастайды.

КК

## НАН ПІСІРУ ФУНКЦИЯСЫ

- <Menu> (Мәзір) түймесін басып <Baking> (Нан пісіру) функциясын таңдау үшін басыңыз. Экранда әдепкі пісіру уақыты көрсетіліп, «Start» (Қосу) шамы қызыл түспен жыпылықтайды.
- Өзірлеу уақытын алдымен «Preset / Timer» (Алдын-ала орнатылған параметр/Таймер) түймесін, содан кейін «+» және «-» түймелерін басу арқылы өзгертуге болады. Температураны таңдау үшін «Temperature» (Температура) түймесін басыңыз.
- «Start» (Қосу) түймесін басыңыз. Мультипісіргіш «Baking» (Нан пісіру) күйіне өтіп, «Start» (Қосу) шамы жанады да, экранда қалған өзірлеу уақыты көрсетіледі.
- Тамақ піскенде, үш рет "бип" деген сигнал беріліп, мультипісіргіш жылуды сақтау күйіне өтеді, "Keep Warm" (Жылуды сақтау) индикаторы жанып, экранда жылу сақталған уақыт санағы жүре бастайды.

## ЖАМ (ТОСАП) ФУНКЦИЯСЫ

- <Menu> (Мәзір) түймесін <Jam> (Тосап) функциясын таңдау үшін басыңыз. Экранда әдепкі пісіру уақыты көрсетіліп, «Start» (Қосу) шамы қызыл түспен жыпылықтайды.
- Өзірлеу уақытын алдымен «Preset / Timer» (Алдын-ала орнатылған параметр/Таймер) түймесін, содан кейін «+» және «-» түймелерін басу арқылы өзгертуге болады.
- «Start» (Қосу) түймесін басыңыз. Мультипісіргіш «Jam» (Тосап) күйіне өтіп, «Start» (Қосу) шамы жанады да, экранда қалған уақыт көрсетіледі.
- Тамақ піскенде, "бип" деген сигнал беріледі.

**Ескертпе:** Бұл функцияда жылуды сақтау функциясы істемейді.

## ҚЫЗАРТУ/ҚУЫРУ ФУНКЦИЯСЫ

- <Menu> (Мәзір) түймесін <Crust/Fry> (Қызарту/Қуыру) функциясын таңдау үшін басыңыз. Экранда әдепкі пісіру уақыты көрсетіліп, «Start» (Қосу) шамы қызыл түспен жыпылықтайды.
- Өзірлеу уақытын алдымен «Preset / Timer» (Алдын-ала орнатылған параметр/Таймер) түймесін, содан кейін «+» және «-» түймелерін басу арқылы өзгертуге болады. Температураны таңдау үшін «Temperature» (Температура) түймесін басыңыз.
- «Start» (Қосу) түймесін басыңыз. Мультипісіргіш «Crust/Fry» (Қызарту/Қуыру) күйіне өтіп, «Start» (Қосу) шамы жанады да, экранда қалған өзірлеу уақыты көрсетіледі.
- Тамақ піскенде, үш рет "бип" деген сигнал беріліп, мультипісіргіш жылуды сақтау күйіне өтеді, "Keep Warm" (Жылуды сақтау) индикаторы жанып, экранда жылу сақталған уақыт санағы жүре бастайды.

**Ескертпе:** Бұл функцияны әрқашан маймен және тамақпен бірге пайдаланыңыз. Тек май бар болса, бұл істен шығуға немесе қауіпке әкелуі мүмкін.

## БҰҚТЫРУ/БАЯУ ӨЗІРЛЕУ ФУНКЦИЯСЫ

- <Menu> (Мәзір) түймесін <Stew> (Бұқтыру) функциясын таңдау үшін басыңыз. Экранда әдепкі пісіру уақыты көрсетіліп, «Start» (Қосу) шамы қызыл түспен жыпылықтайды.
- Өзірлеу уақытын алдымен «Preset / Timer» (Алдын-ала орнатылған параметр/Таймер) түймесін, содан кейін «+» және «-» түймелерін басу арқылы өзгертуге болады. Температураны таңдау үшін «Temperature» (Температура) түймесін басыңыз.
- «Start» (Қосу) түймесін басыңыз. Мультипісіргіш «Stew/Slow Cook» (Бұқтыру/баяу өзірлеу) күйіне өтіп, «Start» (Қосу) шамы жанады да, экранда қалған өзірлеу уақыты көрсетіледі.
- Тамақ піскенде, үш рет "бип" деген сигнал беріліп, мультипісіргіш жылуды сақтау күйіне өтеді, "Keep Warm" (Жылуды сақтау) индикаторы жанып, экранда жылу сақталған уақыт санағы жүре бастайды.

КК

## ЙОГУРТ ФУНКЦИЯСЫ

- <Menu> (Мәзір) түймесін <Yogurt> (Йогурт) функциясын таңдау үшін басыңыз. Экранда әдепкі пісіру уақыты көрсетіліп, «Start» (Қосу) шамы қызыл түспен жыпылықтайды.
- Өзірлеу уақытын алдымен «Preset / Timer» (Алдын-ала орнатылған параметр/Таймер) түймесін, содан кейін «+» және «-» түймелерін басу арқылы өзгертуге болады.
- «Start» (Қосу) түймесін басыңыз. Мультипісіргіш «Yogurt» (Йогурт) күйіне өтіп, «Start» (Қосу) шамы жанады да, экранда қалған өзірлеу уақыты көрсетіледі.
- Тамақ піскенде, "бип" деген сигнал беріледі.

**Ескертпе:** Өзірлеудің соңында жылуды сақтау функциясы жоқ. Йогуртты ыстыққа төзімді шыны ыдыстарға салып дайындау қажет.

## ЙОГУРТ ӨЗІРЛЕЙТІН АЗЫҚ-ТҮЛІКТЕРДІ ТАҢДАУ

### Сүт

#### Қандай сүт алған дұрыс?

Барлық рецептілерімізде (басқаша көрсетілмесе) сиыр сүті

қолданылады. Соя сүті сияқты жасанды сүт немесе қой не ешкі сүтін де пайдалануға болады, бірақ ондай жағдайда қолданылған сүтке байланысты йогурттың қоюлығы әрқалай болады. Шикі сүт немесе ұзақ сақталатын сүт және төменде сипатталған барлық сүт түрлері құрылғыда йогурт дайындауға жарайды:

- **Ұзақ сақталатын стерильденген сүт:** Жоғары температурамен өңделген сүттен қою йогурт дайындалады. Жартылай майсыздандырылған сүтті пайдалану жұмсағырақ йогуртқа әкеледі. Дегенмен, жартылай майсыздандырылған сүтті пайдалануға және ұнтақты сүттің бір немесе екі табағын қосуға болады.
- **Пастерленген сүт:** ондай сүттен бетінде қаймағы бар кілегейлі йогурт шығады.
- **Шикі сүт (ферма сүті):** қайнату қажет. Ұзақ қайнатқан жөн. Ондай сүтті қайнатпай пайдалану қауіпті болуы мүмкін. Құрылғыға құяр алдында қайнаған сүтті суыту қажет. Шикі сүттен дайындалған йогуртпен ұйытпаған дұрыс.
- **Құрғақ сүт:** құрғақ сүттен жасалған йогурт кілегейлі болады. Өндірушінің қорабындағы нұсқаулар бойынша дайындаңыз.

**Қаймағы алынбаған, әсіресе ұзақ сақталатын жоғары температурамен өңделген сүтті алған дұрыс.**

**Шикі (жаңа сауылған) немесе пастерленген сүтті қайнатып, суытып, қаймағын алу қажет.**

## ДЕСЕРТ ФУНКЦИЯСЫ

- <Menu> (Мәзір) түймесін <Dessert> (Десерт) функциясын таңдау үшін басыңыз. Экранда әдепкі пісіру уақыты көрсетіліп, «Start» (Қосу) шамы қызыл түспен жыпылықтайды.
- Өзірлеу уақытын алдымен «Preset / Timer» (Алдын-ала орнатылған параметр/Таймер) түймесін, содан кейін «+» және «-» түймелерін басу арқылы өзгертуге болады. Температураны таңдау үшін «Temperature» (Температура) түймесін басыңыз.
- «Start» (Қосу) түймесін басыңыз. Мультипісіргіш «Dessert» (Десерт) күйіне өтіп, «Start» (Қосу) шамы жанады да, экранда қалған уақыт көрсетіледі.
- Тамақ піскенде, "бип" деген сигнал беріледі.

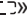
**Ескертпе:** Бұл функцияда жылуды сақтау функциясы істемейді.

## КҮРІШ ФУНКЦИЯСЫ

- Жинақтағы өлшейтін стақанның көмегімен өлшеп, күріштің қажетті мөлшерін тостағанға салыңыз (4-сурет). Содан кейін тостағанның ішіндегі тиісті стақан белгісіне дейін су толтырыңыз (2-сурет).
- Қақпақты жабыңыз.


**Ескертпе: Әрқашан күрішті бірінші қосыңыз, әйтпесе тым көп су болады.**

КК

«Menu» (Мәзір) түймесімен «Rice» (Күріш) функциясын таңдаңыз. Экранда «» көрсетіліп, «Start» (Қосу) шамы жыпылықтайды, сонда «Start» (Қосу) түймесін басыңыз. Мультипісіргіш «Rice» (Күріш) күйіне өтіп, «Start» (Қосу) шамы жанады да, экранда « -- » жыпылықтайды.

- Тамақ піскенде, үш рет "бип" деген сигнал беріліп, мультипісіргіш жылуды сақтау күйіне өтеді, "Keep Warm" (Жылуды сақтау) индикаторы жанып, экранда жылу сақталған уақыт санағы жүре бастайды.

## ПАЛАУ/РИЗОТТО ФУНКЦИЯСЫ

- "Menu" (Мәзір) түймесімен "Pilaf/Risotto" (Палау/Ризотто) функциясын таңдаңыз. Экранда «» көрсетіліп, «Start» (Қосу) шамы жыпылықтайды, сонда «Start» (Қосу) түймесін басыңыз. Мультипісіргіш "Pilaf/Risotto" (Палау/Ризотто) күйіне өтіп, "Start" (Қосу) шамы жанады да, экранда " -- " жыпылықтайды.
- Тамақ піскенде, үш рет "бип" деген сигнал беріліп, мультипісіргіш жылуды сақтау күйіне өтеді, "Keep Warm" (Жылуды сақтау) индикаторы жанып, экранда жылу сақталған уақыт санағы жүре бастайды.

## КҮРІШ ПІСІРУГЕ ҚАТЫСТЫ БЕРІЛГЕН КЕҢЕСТЕР (Күріш және Палау/Ризотто функциялары)

- Пісіру алдында күрішті өлшейтін стақанмен өлшеп, шайып алыңыз, ризотто үшін күрішті шаюдың қажеті жоқ.
- Жуылған күрішті тостаған түбіне біркелкі жайыңыз. Тиісті көрсеткішке (стақан белгісімен көрсетілген) дейін су құйыңыз.
- Күріш дайын болғанда, яғни "Keep Warm" (Жылуды сақтау)

индикаторлық шамы жанғанда, күріш бөлек-бөлек болып төгіліп тұруы үшін тамақты араластырып, күріш пісіргіштің ішінде тағы бірнеше минутқа қалдырыңыз.

Бұл кестеде күріш пісіру нұсқаулары берілген:

АҚ КҮРІШ ПІСІРУ НҰСҚАУЛЫҒЫ — 10 стақан			
Өлшейтін стақандар	Күріштің салмағы	Тостағандағы су деңгейі (күрішпен бірге)	Порция
2	300 г	2 стақан белгісі	3 адам - 4 адам
4	600 г	4 стақан белгісі	5 адам - 6 адам
6	900 г	6 стақан белгісі	8 адам - 10 адам
8	1200 г	8 стақан белгісі	13 адам - 14 адам
10	1500 г	10 стақан белгісі	16 адам - 18 адам

Күріш пісіргенде, уақыт пен температура автоматты түрде орнатылады.

Дайындау процесі 7 қадамнан тұрады:

Қыздыру => Суды сіңіру => Температураны тез көтеру => Қайнату  
=> Суды буландыру => Күрішті бұқтыру => Жылуды сақтау.

Пісіру уақыты күріштің мөлшері мен түріне байланысты.

## МАКАРОН ФУНКЦИЯСЫ

- Макарон пісіргенде, оны салу үшін су қажетті температураға дейін жетуі керек.
- <Menu> (Мәзір) түймен <Pasta> (Макарон) функциясын таңдау үшін басыңыз. Экранда әдепкі пісіру уақыты көрсетіліп, «Start» (Қосу) шамы қызыл түспен жыпылықтайды.
- Өзірлеу уақытын алдымен «Preset / Timer» (Алдын-ала орнатылған параметр/Таймер) түймесін, содан кейін «+» және «-» түймелерін басу арқылы өзгертуге болады.
- «Start» (Қосу) түймесін басыңыз. Мультипісіргіш «Pasta» (Макарон) күйіне өтіп, «Start» (Қосу) шамы жанады да, экранда қалған өзірлеу уақыты көрсетіледі.
- Су қажетті температураға жеткенде, мультипісіргеш сигнал беріледі. Суға макаронды салып, "Start" (Қосу) түймесімен таймерді қосыңыз. "Start" (Қосу) түймесі басылмайынша, пісіру уақыты жүрмейді, бірақ мультипісіргіш судың қажетті температурасын сақтап тұрады. Макарон пісіренде, қақпақ ашық тұруы керек.
- Тамақ піскенде, "бип" деген сигнал беріледі.

**Ескертпе:** Бұл функцияда жылуды сақтау функциясы істемейді.

## ЖЫЛЫТУ ФУНКЦИЯСЫ

- Бұл функция дайын тамақты жылытуға ғана арналған.
- <Menu> (Мәзір) түймесімен <Reheat> (Жылыту) функциясын таңдаңыз. Экранда әдепкі пісіру уақыты көрсетіліп, «Start» (Қосу) шамы қызыл түспен жыпылықтайды.
- Өзірлеу уақытын алдымен «Preset / Timer» (Алдын-ала орнатылған параметр/Таймер) түймесін, содан кейін «+» және «-» түймелерін басу арқылы өзгертуге болады.
- «Start» (Қосу) түймесін басыңыз. Мультипісіргіш «Reheat» (Жылыту) күйіне өтіп, «Start» (Қосу) шамы жанады да, экранда қалған уақыт көрсетіледі.
- Тамақ піскенде, үш рет "бип" деген сигнал беріліп, мультипісіргіш жылуды сақтау күйіне өтеді, "Keep Warm" (Жылуды сақтау) индикаторы жанып, экранда жылу сақталған уақыт санағы жүре бастайды.

## САҚТЫҚ ЕСКЕРТУ:

Суық тамақ мультипісіргіш көлемінің  $\frac{1}{2}$  бөлігінен аспауы керек. Тым көп тамақ дұрыс жылымайды. Жылыту функциясын қайта қосса немесе тамақ аз салынса, тамақ күйіп, асты қатып қалуы мүмкін.

Қою ботқаны жылытпау ұсынылады, өйткені жабысқақ болып кетуі ықтимал.

Иісі шығатындықтан, ұзақ сақталған тамақтарды жылытпаған жөн.

## ЖЫЛУДЫ САҚТАУ/БАС ТАРТУ ФУНКЦИЯСЫ

- Күту режимінде "Жылуды сақтау/Бас тарту" түймесін басыңыз, "Жылуды сақтау/Бас тарту" түймесінің шамы жымыңдап, экранда "00:00" жазуы көрсетіледі және экран жылуды сақтау уақытын санай бастайды.
- Дисплейде қалған жылыту уақыты көрсетіледі және жылуды сақтау индикаторы қосылады.
- Функция параметрі немесе пісіру күйі тұрғанда, «Жылуды сақтау/Бас тарту» түймесін басып тұрса, барлық дерек өшіп, құрылғы күту күйіне өтеді.
- Келесі әзірлеу үшін автоматты жылуды сақтауды «Keep warm/ Cancel» (Жылуды сақтау/Бас тарту) түймесін 5 секунд бойы басу арқылы жоюға болады. «Keep warm/ Cancel» (Жылуды сақтау/Бас тарту) шамы өшеді. Автоматты жылуды сақтауды орнатқыңыз келсе, түймені 5 секунд бойы қайтадан басыңыз.
- Максималды жылуды сақтау уақыты — 24 сағат.

**Ұсыныс: тамақтың жақсы дәмі сақталуы үшін кейін қосу уақыты 12 сағаттан аспауы тиіс.**

## АСПАЗ РЕЖИМІ ФУНКЦИЯСЫ

- Аспаз режимі функциясы өзіңізге ұнайтын рецептілерді сақтап қояды.
- Аспаз режимі функциясын таңдау үшін күту күйінде «DIY» (Аспаз режимі) түймесін басыңыз, мультипісіргіш алдымен «DIY» (Аспаз режимі) күйіне өтіп, экранда әдепкі пісіру уақыты көрсетіліп, «Start» (Қосу) шамы жыпылықтайды.



- Бағдаламада температура мен уақыт тұрақты болуып қалуы үшін «Preset/Timer» (Алдын-ала орнатылған параметр/Таймер) түймесін басып параметрді анықтаңыз.
- Тамақ піскенде, "бип" деген сигнал беріледі.

### **Ескертпе:**

Мультитісіргіш Аспаз режимі функциясының соңғы температурасы мен пісіру уақытын еске сақтай алады.

КК

## **ПІСКЕНДЕ**

- Қақпақты ашыңыз (1-сурет).
- Тостаған мен буға пісіру кәрзеңкесін қолғап киіп ұстау керек (11-сурет).
- Жинақтағы қасықпен тамақты алып, қақпақты жабыңыз.
- Жылуды сақтаудың максималды уақыты — 24 сағат.
- Жылуды сақтау күйін өшіру үшін «Keer warm / Cancel» (Жылуды сақтау/Бас тарту) түймесін басыңыз.
- Құрылғыны розеткадан ажыратыңыз.

## **ТАЗАЛАУ ЖӘНЕ ТЕХНИКАЛЫҚ ҚЫЗМЕТ КӨРСЕТУ**

- Тазалау және техникалық қызмет көрсету алдында мультитісіргішті тоқ көзінен ажыратып, толық суытып алу қажет.
- Қолданған сайын құрылғыны губкамен тазалап отырған жөн (12-сурет).
- Тостаған, стақан, күріш қасығы мен ожауды ыдыс жуғыш машинаға салуға болады (13-сурет).

### **Тостаған, бумен пісіру себеті**

- Сыратын ұнтақ пен темір жөке қолданбаған жөн.
- Түбіне тамақ жабысып қалса, тостағанға су құйып, жібітіп қоюға болады.
- Тостағанды жақсылап кептіріңіз.

### **Тостағанды күтіп пайдалану**

Тостаған үшін мына нұсқауларды мұқият орындаңыз:

- Сапасын сақтап қалу үшін тостағанның ішінде азық-түліктерді турамаған жөн.
- Тостағанды мультитісіргіштің ішінде сақтау қажет.

- Бетін сырып алмау үшін темір қасық емес, жинақтағы немесе ағаш қасықты қолданыңыз (14-сурет).
- Коррозияның кез келген қаупін болдырмау үшін табаққа сірке суын құймаңыз.
- Бірінші рет пайдаланудан кейін немесе ұзақ пайдаланудан кейін табақ бетінің түсі өзгеруі мүмкін. Бұл өзгеріс бу мен судың әрекетіне байланысты және мультиәзірлегішті пайдалануға ешбір әсері болмайды, әрі денсаулығыңызға қауіпті емес. Оны пайдалануды жалғастыру мүлде қауіпсіз.

## **Микро қысымды клапанды тазалау**

- Микроқысымды клапанды тазалау үшін қақпақтан шешіп (15-сурет), «ашу» бағытына қарай бұрап ашыңыз (16a және 16b суреті). Тазалаудан кейін оны сүртіп кептіріңіз және екі бөліктегі екі үшбұрышты бір біріне келтіріңіз және «жабық» бағытында айналдырыңыз – 18a және 18b суреттері.

## **Ішкі қақпақты тазалау**

- Екі қолмен сыртқа итеру арқылы ішкі қақпақты алыңыз. Оны сорғыш және жуу сұйықтығы арқылы тазалаңыз (17-сур.). Содан кейін құрғатып сүртіп, 2 қабырғаның артына қойыңыз және оны бекітілгенше жоғарғы жақта итеріңіз.

## **Құрылғының басқа бөліктерін тазалау және күту**

- Мультипісіргіштің сыртын (19-сурет), қақпақтың ішін және сымды дымқыл шүберекпен сүртіп, құрғатып кептіріңіз. Қажайтын өнімдерді қолдануға болмайды.
- Құрылғының ішін сумен тазалауға болмайды, қыздыру датчигі бұзылуы мүмкін.

## ТЕХНИКАЛЫҚ АҚАУЛАРДЫ ЖОЮ НҰСҚАУЛЫҒЫ

Ақаулық сипаттамасы	Себептері	Шешімдері
Индикатор шамдары қосылмайды және құрылғы қызбайды.	Құрылғы ток көзіне қосылмаған.	Қуат сымының құрылғыдағы ұясына және ток көзіне жалғанып тұрғанына көз жеткізіңіз.
Индикатор шамдары қосылмайды, бірақ құрылғы қызады.	Индикатор шамының қосылысында ақау бар немесе индикатор шамы бүлінген.	Өкілетті қызмет көрсету орталығына жіберіп, жөндетіңіз.
Істеп тұрғанда, бу сыртқа шығады.	Қақпағы дұрыс жабылмаған.	Қақпақты ашып, қайта жабыңыз.
	Микроқысымды клапан дұрыс салынбаған немесе толық бекітілмеген.	Құрылғыны өшіріп (ток көзінен ажыратып), клапанның толық бекітілгенін (2 бөлшек бір-біріне кигізіліп тұрғанын) және дұрыс салынғанын тексеріңіз.
	Қақпағы немесе микротолқынды клапан нығыздағышы бүлінген.	Өкілетті қызмет көрсету орталығына жіберіп, жөндетіңіз.
Күріш жартылай піспейді немесе езіліп пісіп кетеді.	Күріш мөлшерімен салыстырғанда су тым көп немесе тым аз.	Судың мөлшерін кестеден көріп алыңыз.

КК

Ақаулық сипаттамасы	Себептері	Шешімдері
Күріш жартылай піспейді немесе езіліп пісіп кетеді.	Дұрыс бұқтырылмайды.	Өкілетті қызмет көрсету орталығына жіберіп, жөндетіңіз.
Жылуды автоматты сақтау функциясы қосылмайды (құрылғы пісіру күйінде қалады немесе қызбайды).	Жылуды сақтау функциясын пайдаланушы өзі өшіріп қойған. Жылуды сақтау функциясы туралы бөлімді қараңыз.	
E0	Жоғарғы ашық немесе тұйықталған тізбектегі датчик.	
E1	Төменгі ашық немесе тұйықталған тізбектегі датчик.	Құрылғыны тоқтатып, бағдарламаны қайта бастаңыз. Мәселе шешілмесе, өкілетті қызмет көрсету орталығына жіберіп, жөндетіңіз.
E3	Жоғары температура анықталды.	

**Ескерту:** Ішкі тостаған майысса, оны қолдануға болмайды, жөндеу жасайтын өкілетті қызмет көрсету орталығына апарып, ауыстырып алыңыз.

## **TEFAL/T-FAL \* ХАЛЫКАРАЛЫҚ ШЕКТЕУЛІ КЕПІЛДІГІ**

**🌐 : [www.tefal.com](http://www.tefal.com)**

**Осы бұйым кепілді мерзім ішінде және кепілді мерзім аяқталғаннан кейін TEFAL/T-FAL компаниясымен жөнделеді.**

Керек-жарақтар мен шығын материалдарын сатып алу тәртібі туралы ақпарат TEFAL/T-FAL ғаламтор-сайтында қолжетімді.

### **Кепілдік**

TEFAL/T-FAL фирмасы сатылған күннен бастап қоса ұсынылған елдер тізімінде\*\*\* көрсетілген кепілді мерзім ішінде материалдардың немесе жинақтаудың кемшілігі байланысты кез келген өндірістік ақауды жоюға кепілдік береді. Кепілді мерзім әр ел үшін көрсетілген.

Өндірушінің Халықаралық Кепілдігі табылған кемшіліктерді жою бойынша қажетті жұмыстардың құнын қоса алғанда, ақаулы бөлшектерді жөндеу немесе ауыстыру арқылы оның бастапқы техникалық күйіне дейін ақаулы бұйымды қалпына келтірумен байланысты барлық шығындарды өтейді. TEFAL/T-FAL компаниясының таңдауы бойынша ақаулы бұйымды жөндеудің орнына оны ауыстыру жүргізілуі мүмкін. Осы кепілдік шеңберіндегі TEFAL/T-FAL міндеттемесі және Сіздің таңдауыңыз бұйымды жөндеумен немесе оны ауыстырумен шектеледі.

### **Кепілдіктер шарттары мен ерекшеліктер**

TEFAL/T-FAL бұйымның сатылған күнін растайтын құжат жоқ болған жағдайда кез келген бұйымды кепілдікті жөндеу немесе ауыстыру бойынша міндеттемелерді атқармайды. Бұйым TEFAL/T-FAL үкілетті қызмет көрсету орталығына берілуі тиіс. Әр елге арналған үкілетті қызмет көрсету орталығының мекен-жайларын TEFAL/T-FAL веб-сайтынан немесе елдер тізімінде көрсетілген сәйкес телефон бойынша қоңырау шалу арқылы білуге болады. Сатылғаннан кейін ең жақсы қызмет көрсетуді және клиенттерге қызмет көрсетуді үздіксіз жақсартуды қамтамасыз ету үшін TEFAL/T-FAL қандай да бір бұйымды жөндеу немесе ауыстыру үшін TEFAL/T-FAL үкілетті қызмет көрсету орталығына хабарласқан барлық клиенттерден қызмет көрсетудің сапасына қанағаттану деңгейін айқындау мақсатында сұрау жүргізуі мүмкін.

Осы кепілдіктің әрекеті тек жеке тұрмыстық мақсаттар үшін сатып алынған және сол мақсаттарда қолданылатын бұйымдарға ғана жүреді және дұрыс қолданбаудың немесе ұқыпсыз қолданудың; TEFAL/T-FAL фирмасының пайдалану бойынша нұсқауларын орындамаудың; иесінің бұйымның құрылымын өз бетінше өзгертуінің немесе оны тек TEFAL/T-FAL үкілетті қызмет көрсету орталықтарынан басқа жерде жөндеудің нәтижесінде туындауы мүмкін қандай да бір ақауларға, сонымен қатар иесінің бұйымды дұрыс қаптамаудың немесе кез келген тасымалдаушымен бұйымды ұқыпсыз жеткізілуінің нәтижесінде туындаған кез келген ақауларға жүрмейді. Осы кепілдіктің әрекеті, сондай-ақ, бұйым қалыпты тозған; оған қызмет көрсеткен немесе шығын материалдарын немесе керек-жарақтарын ауыстырған жағдайда; сонымен қатар:

- сәйкес емес түрдегі суды немесе шығын материалдарын қолданудан
- бұйымның ішіне шішімдіктің, шаң-тозаңның немесе жәндіктердің енуінен (жәндіктермен күресу үшін арнайы шығарылған құралдардан басқа)
- бұйымның механикалық зақымдануларынан немесе аса жүктелуінен
- бұйымда немесе сипаттатпиде қанаттарын көрнеуге немесе тоқтың жиілігіне сәйкессіздіктен туындаған бұйымның зақымдануынан немесе қанаттанарлықсыз жұмысынан
- жеңе алмайтын күштің әсерінен (қайғылы оқиға, өрт, су тасқыны және т.б.)
- бұйымның қандай да бір шыны немесе сынғыш құрауыштарының зақымдануынан
- найзағай соққысынан немесе қоректендіретін көрнеудің секірістерінен туындаған зақымданулардан туындаған ақауларға жүрмейді.
- қақпан (қақпан тазалау пайдалану бойынша нұсқауларға сәйкес жүргізілуі керек)
- кәсіби қолдану немесе коммерциялық мақсаттарда қолданудан

### **Заңнамада қарастырылған тұтынушының құқықтары**

Осы TEFAL/T-FAL Халықаралық кепілдігі бұйым сатып алынған сауда ұйымына қатысты құқықтарды қоса алғанда тұтынушылардың құқықтарын қорғау туралы елдің заңнамасында қарастырылған тұтынушының қандай да бір құқықтарын қозғамайды. Осы кепілдік тұтынушыға ерекше заңды құқықтарды ұсынады, дегенмен тұтынушы елден елде немесе аймақтан аймаққа түрленетін басқа заңды құқықтарға ие болуы мүмкін. Тұтынушы өзінің жеке таңдауы бойынша кез келген заңды құқықтарды қорғай алады.

### **Қосымша ақпарат**

Өндірушімен «Тұтынушылар құқықтарын қорғау туралы» заңға сәйкес орнатылған бұйымның қызмет ету мерзімі бұйымның бөлшек саудада сатылған күннен бастап немесе, егер сатылған күнді орнату мүмкін болмаса, өндірілген күнінен бастап екі жылды құрайды. Өндірілген күн бұйымның тұрқында көрсетілген толық артикулдің соңғы төрт санымен анықталады. Алғашқы екі сан өндірістің аптасына, соңғы екі сан – бұйым өндірілген жылдың соңғы екі санына сәйкес келеді.

\*\*\* Егер бұйым аталған елдердің бірінде сатып алынған және берілген тізімнен басқа қандай да бір басқа елде қолданылған жағдайда, TEFAL/T-FAL халықаралық кепілдігінің мерзімі, тіпті, бұйым басқа кепілді мерзімі бар басқа төменде аталған елдердің бірінде сатып алынса да, бұйымды қолданатын елдің кепілді мерзіміне сәйкес келеді. Егер осы бұйымдар қолданылатын елге TEFAL/T-FAL фирмасымен жеткізілмесе, қолданылатын елде тыс сатып алынған бұйымдарды жөндеуге ұзағырақ уақыт талап етілуі мүмкін; Егер бұйым қолданылатын елде жөнделінімесе, TEFAL/T-FAL Халықаралық Кепілдігі ұқсас бұйымға немесе, мүмкін болған жағдайда, бағасы бойынша үйлесетін бұйымға алмастырумен шектеледі.

Осы құжатты өзіңізге арналған ақпарат ретінде сақтап қойыңыз және осы кепілдікпен қамтылатын шағымдар туындаған кезде үкілетті қызмет көрсету орталығына ұсынуыңызды өтінеміз.

KK

<b>EN</b>	p. 4 – 26
<b>RU</b>	p. 27 – 51
<b>UK</b>	p. 52 – 76
<b>KK</b>	p. 77 – 101