

RYOBI®

OLT1825

RLT1825Li

ORIGINAL INSTRUCTIONS

TRADUCTION DES INSTRUCTIONS ORIGINALES

ÜBERSETZUNG DER ORIGINALANLEITUNG

TRADUCCIÓN DE LAS INSTRUCCIONES ORIGINALES

TRADUZIONE DELLE ISTRUZIONI ORIGINALI

VERTALING VAN DE ORIGINELE INSTRUCTIES

TRADUÇÃO DAS INSTRUÇÕES ORIGINAIS

OVERSÆTTELSE AF DE ORIGINALE INSTRUKTIONER

ÖVERSÄTTNING AV DE URSPRUNGLIGA INSTRUKTIONERNA

ALKUPERÄISTEN OHJEIDEN SUOMENNOSS

OVERSETTELSE AV DE ORIGINALE INSTRUKSJONENE

ПЕРЕВОД ОРИГИНАЛЬНЫХ ИНСТРУКЦИЙ

TŁUMACZENIE INSTRUKCJI ORYGINALNEJ

PŘEKLAD ORIGINÁLNÍCH POKYNŮ

AZ EREDETI ÚTMUTATÓ FORDÍTÁSA

TRADUCEREA INSTRUCȚIUNILOR ORIGINALE

TULKOTS NO ORĪĢINĀLĀS INSTRUKCIJAS

ORIGINALIŲ INSTRUKCIJŲ VERTIMAS

ORIGINAALJUHENDI TÕLGE

PRIJEVOD ORIGINALNIH UPUTA

PREVOD ORIGINALNIH NAVODIL

PREKLAD ORIGINÁLNYCH POKYNOV

ПРЕВОД ОТ ОРИГИНАЛНИТЕ ИНСТРУКЦИИ

EN

FR

DE

ES

IT

NL

PT

DA

SV

FI

NO

RU

PL

CS

HU

RO

LV

LT

ET

HR

SL

SK

BG





Important!	It is essential that you read the instructions in this manual before operating this machine.
Attention!	Il est indispensable que vous lisiez les instructions contenues dans ce manuel avant la mise en service de l'appareil.
Achtung!	Bitte lesen Sie unbedingt vor Inbetriebnahme die Hinweise dieser Bedienungsanleitung.
¡Atención!	Es imprescindible que lea las instrucciones de este manual antes de la puesta en servicio.
Attenzione!	Prima di procedere alla messa in funzione, è indispensabile leggere attentamente le istruzioni contenute nel manuale.
Let op!	Het is van essentieel belang dat u de instructies in deze gebruiksaanwijzing goed leest voordat u de machine gaat gebruiken.
Atenção!	É indispensável que leia as instruções deste manual antes de utilizar a máquina.
OBS!	Denne brugervejledning skal gennelæses inden maskinen tages i brug.
Observera!	Det är nödvändigt att läsa instruktionerna i denna bruksanvisning innan användning.
Huomio!	On ehdottoman välttämätöntä lukea tässä käyttöohjeessa annetut ohjeet ennen käyttöönottoa.
Advarsel!	Det er meget vigtigt at du leser denne brukerveiledningen før du tar maskinen i bruk.
Внимание!	Перед сборкой и запуском инструмента необходимо ознакомиться с инструкцией по эксплуатации.
Uwaga!	Przed przystąpieniem do użytkowania tego urządzenia, należy koniecznie zapoznać się z zaleceniami zawartymi w niniejszym podręczniku.
Důležité upozornění!	Nepoužívejte tento přístroj dříve, než si přečtete pokyny uvedené v tomto návodu.
Figyelem!	Feltétlenül fontos, hogy a jelen használati útmutatóban foglalt előírásokat az üzembe helyezés előtt elolvassa!
Atenție!	Este esențial să citiți instrucțiunile din acest manual înainte de operarea acestui aparat.
Uzmanību!	Svarīgi, lai jūs pirms mašīnas darbināšanas izlasītu instrukcijas šajā rokasgrāmatā.
Démesio!	Prieš pradėdami eksploatuoti šį prietaisą, svarbu, kad perskaitytumėte šiose instrukcijose pateiktus nurodymus.
Tähtis!	Enne trelli kasutamise hakkamist tuleb käesolevas juhendis esitatud juhised kindlasti läbi lugeda.
Upozorenje!	Neophodno je da pročitate ove upute prije uporabe ovog uređaja.
Pomembno!	Pred uporabo tega stroja, obvezno preberite navodila iz tega priročnika.
Dôležité!	Pre prácu s týmto zariadením je dôležité, aby ste si prečítali pokyny v tomto návode.
Важно!	От изключителна важност е да прочетете инструкциите в това ръководство, преди да боравите с тази машина.

Subject to technical modifications / Sous réserve de modifications techniques / Technische Änderungen vorbehalten /
Bajo reserva de modificaciones técnicas / Con riserva di eventuali modifiche tecniche / Technische wijzigingen voorbehouden /
Com reserva de modificações técnicas / Med forbehold for tekniske ændringer / Med förbehåll för tekniska ändringar /
Tekniset muutokset varataan / Med forbehold om tekniske ændringer / могут быть внесены технические изменения /
Z zastrzeżeniem modyfikacji technicznych / Změny technických údajů vyhrazeny / A műszaki módosítás jogát fenntartjuk /
Sub rezerva modificațiilor tehnice / Paturam tiesības mainīt tehnisko raksturlielumus /
Pasilieka teisę daryti techninius pakeitimus / Tehnilised muudatused võimalikud / Podloženo tehničkim promjenama /
Tehnične spremembe dopuščene / Právo na technické zmeny je vyhradené / Подлежи на технически модификации





GENERAL SAFETY WARNINGS

⚠ WARNING

Read all safety warnings and all instructions. Failure to follow the warnings and instructions may result in electric shock, fire and/or serious injury.

Save all warnings and instructions for future reference.

The term "power tool" in the warnings refers to your mains-operated (corded) power tool or battery-operated (cordless) power tool.

WORK AREA SAFETY

- **Keep work area clean and well lit.** Cluttered or dark areas invite accidents.
- **Do not operate power tools in explosive atmospheres, such as in the presence of flammable liquids, gases or dust.** Power tools create sparks which may ignite the dust or fumes.
- **Keep children and bystanders away while operating a power tool.** Distractions can cause you to lose control.

ELECTRICAL SAFETY

- **Power tool plugs must match the outlet. Never modify the plug in any way. Do not use any adapter plugs with earthed (grounded) power tools.** Unmodified plugs and matching outlets will reduce risk of electric shock.
- **Avoid body contact with earthed or grounded surfaces, such as pipes, radiators, ranges and refrigerators.** There is an increased risk of electric shock if your body is earthed or grounded.
- **Do not expose to rain or damp conditions.** Water entering a power tool will increase the risk of electric shock.
- **Do not abuse the cord. Never use the cord for carrying, pulling or unplugging the power tool. Keep cord away from heat, oil, sharp edges or moving parts.** Damaged or entangled cords increase the risk of electric shock.
- **When operating a power tool outdoors, use an extension cord suitable for outdoor use.** Use of a cord suitable for outdoor use reduces the risk of electric shock.
- **If operating a power tool in a damp location is unavoidable, use a residual current device (RCD) protected supply.** Use of an RCD reduces the risk of electric shock.

PERSONAL SAFETY

- **Stay alert, watch what you are doing and use common sense when operating a power tool. Do not use a power tool while you are tired or under the influence of drugs, alcohol or medication.** A moment of inattention while operating power tools may result in serious personal injury.
- **Use personal protective equipment. Always wear**

eye protection. Protective equipment such as dust mask, non-skid safety shoes, hard hat, or hearing protection used for appropriate conditions will reduce personal injuries.

- **Prevent unintentional starting. Ensure the switch is in the off-position before connecting to power source and/or battery pack, picking up or carrying the tool.** Carrying power tools with your finger on the switch or energising power tools that have the switch on invites accidents.
- **Remove any adjusting key or wrench before turning the power tool on.** A wrench or a key left attached to a rotating part of the power tool may result in personal injury.
- **Do not overreach. Keep proper footing and balance at all times.** This enables better control of the power tool in unexpected situations.
- **Dress properly. Do not wear loose clothing or jewellery. Keep your hair, clothing and gloves away from moving parts.** Loose clothes, jewellery or long hair can be caught in moving parts.
- **If devices are provided for the connection of dust extraction and collection facilities, ensure these are connected and properly used.** Use of dust collection can reduce dust-related hazards.

POWER TOOL USE AND CARE

- **Do not force the product. Use the correct power tool for your application.** The correct power tool will do the job better and safer at the rate for which it was designed.
- **Do not use the power tool if the switch does not turn it on and off.** Any power tool that cannot be controlled with the switch is dangerous and must be repaired.
- **Disconnect the plug from the power source and/or the battery pack from the power tool before making any adjustments, changing accessories, or storing power tools.** Such preventive safety measures reduce the risk of starting the power tool accidentally.
- **Store idle power tools out of the reach of children and do not allow persons unfamiliar with the power tool or these instructions to operate the power tool.** Power tools are dangerous in the hands of untrained users.
- **Maintain power tools. Check for misalignment or binding of moving parts, breakage of parts and any other condition that may affect the power tool's operation. If damaged, have the power tool repaired before use.** Many accidents are caused by poorly maintained power tools.
- **Keep cutting tools sharp and clean.** Properly maintained cutting tools with sharp cutting edges are less likely to bind and are easier to control.
- **Use the power tool, accessories and tool bits etc. in accordance with these instructions, taking into account the working conditions and the work to be performed.** Use of the power tool for operations different from those intended could result in a hazardous situation.



BATTERY TOOL USE AND CARE

- **Recharge only with the charger specified by the manufacturer.** A charger that is suitable for one type of battery pack may create a risk of fire when used with another battery pack.
- **Use power tools only with specifically designated battery packs.** Use of any other battery packs may create a risk of injury and fire.
- **When battery pack is not in use, keep it away from other metal objects like, paper clips, coins, keys, nails, screws, or other small metal objects, that can make a connection from one terminal to another.** Shorting the battery terminals together may cause burns or a fire.
- **Under abusive conditions, liquid may be ejected from the battery; avoid contact. If contact accidentally occurs, flush with water. If liquid contacts eyes, additionally seek medical help.** Liquid ejected from the battery may cause irritation or burns.

SERVICE

- **Have your power tool serviced by a qualified repair person using only identical replacement parts.** This will ensure that the safety of the power tool is maintained.

SPECIFIC SAFETY RULES

WARNING

When using the product, the safety rules must be followed. For your own safety and that of bystanders, please read these instructions before operating the product. Please keep the instructions safe for later use.

WARNING

This appliance is not intended for use by persons (including children) with reduced physical, sensory or mental capabilities, or lack of experience and knowledge, unless they have been given supervision or instruction concerning use of the appliance by a person responsible for their safety. Children should be supervised to ensure that they do not play with the appliance.

- Stop machine if anyone enters the area. Never operate the machine while people, especially children, or pets are nearby. If you are approached, stop the unit immediately.
- Avoid using machine in bad weather, especially if there is risk of lightning.
- Use the product in daylight or good artificial light.
- Avoid using on wet grass.
- Keep proper footing and balance at all times.
- Do not walk backwards when trimming.
- Walk, never run.
- Keep the trimmer head below waist level.

- Do not cut on surfaces other than grass on ground.
- Never operate the product with damaged guards or without guards in place.
- Never fit a metal replacement line.
- Keep hands and feet away from the cutting means at all times and especially when switching on the motor.
- Thoroughly inspect the area where the machine is to be used and remove all rocks, sticks, metal, wire, bones, toys, or other foreign objects.
- Switch off and disconnect from the power supply before:
 - servicing
 - leaving the trimmer unattended
 - cleaning your trimmer
 - changing accessories
 - checking for any damage after hitting an object
 - checking for any damage if the trimmer starts to vibrate abnormally
 - performing maintenance
- Wear protective glasses or goggles.
- Take care against injury from any device fitted for trimming the filament line length.

MAINTENANCE

- Use only genuine replacement parts and accessories.
- After extending new cutter line, always return the product to its normal operating position before switching on.
- After each use, clean with a soft dry cloth.
- Check all nuts, bolts and screws at frequent intervals for proper tightness to ensure the product is in safe working condition. Any part that is damaged should be properly repaired or replaced by an authorized service centre.
- When not in use, the product should be stored in a cool dry place and locked up out of the reach of children. Do not store outdoors.

Inspection after dropping or other impacts

Thoroughly inspect the product and identify any affections or damage with it. Any part that is damaged should be properly repaired or replaced by an authorized service centre.

RESIDUAL RISKS

It has been reported that vibrations from hand-held tools may contribute to a condition called Raynaud's Syndrome in certain individuals. Symptoms may include tingling, numbness and blanching of the fingers, usually apparent upon exposure to cold.

Hereditary factors, exposure to cold and dampness, diet, smoking and work practices are all thought to contribute to the development of these symptoms. There are measures that can be taken by the operator to possibly reduce the effects of vibration:

- Keep your body warm in cold weather. When operating the unit wear gloves to keep the hands and wrists warm. It is reported that cold weather is a major factor contributing to Raynaud's Syndrome.



EN
FR
DE
ES
IT
NL
PT
DA
SV
FI
NO
RU
PL
CS
HU
RO
LV
LT
ET
HR
SL
SK
BG

- After each period of operation, exercise to increase blood circulation.
- Take frequent work breaks. Limit the amount of exposure per day. If you experience any of the symptoms of this condition, immediately discontinue use and see your physician about these symptoms.

INTENDED USE

This product is only intended for use outdoors. The product is designed for cutting grass and light weeds only in private garden areas.

Line trimmer

The product is intended for cutting long grass, pulpy weed, similar vegetation at or about ground level.

Edger

The product is intended for cutting neat edges to grass lawns.

The product should not be used to cut or trim hedges, bushes or other vegetation where the cutting plane is not parallel to the ground surface.

ENVIRONMENTAL PROTECTION



Recycle raw materials instead of disposing of as waste. The machine, accessories and packaging should be sorted for environmental-friendly recycling.



Waste electrical products should not be disposed of with household waste. Please recycle where facilities exist. Check with your local authority or retailer for recycling advice.



CE Conformity



GOST-R Conformity

SYMBOLS



Safety alert



For a safe operation, read and understand all instructions before using the product.



Wear ear protection.



Wear eye protection.



Avoid using in wet or damp conditions.



Danger of Ricochet. Keep all bystanders at least 15 m away.



Beware of thrown or flying objects. Keep bystanders a safe distance away from the machine.



Guaranteed sound power level

**AVERTISSEMENTS GÉNÉRAUX DE SÉCURITÉ****▲ AVERTISSEMENT**

Lisez tous les avertissements de sécurité et toutes les instructions. Le non-respect des avertissements et instructions peut entraîner une décharge électrique, un incendie et/ou de graves blessures.

Conservez ces avertissements et instructions pour pouvoir vous y reporter ultérieurement.

Le terme "outil électrique" dans les avertissements se rapporte à votre outil électrique alimenté par le secteur (à fil) ou par batterie (sans fil).

ENVIRONNEMENT DE TRAVAIL

- **Gardez l'espace de travail propre et bien éclairé.** Les espaces de travail sombres ou encombrés sont propices aux accidents.
- **N'utilisez pas d'outil électrique en atmosphère explosive, comme en présence de liquides inflammables, de gaz ou de poussières.** Les appareils électriques produisent des étincelles susceptibles d'enflammer poussières et vapeurs.
- **Gardez les enfants et les visiteurs à distance lorsque vous utilisez un outil électrique.** Les distractions peuvent entraîner une perte de contrôle.

SÉCURITÉ ÉLECTRIQUE

- **Les fiches secteur des outils électriques doivent correspondre à la prise de courant. Ne modifiez jamais la fiche secteur d'aucune façon. N'utilisez pas d'adaptateurs avec les outils électriques reliés à la terre.** L'utilisation de fiches secteur non modifiées et adaptées à la prise de courant réduit le risque de décharge électrique.
- **Évitez que votre corps entre en contact avec des surfaces reliées à la terre, telles que des tuyaux, radiateurs, cuisinières et réfrigérateurs.** Le risque de décharge électrique est accru si votre corps est électriquement relié à la terre.
- **Ne pas exposer à la pluie ou à des conditions humides.** La pénétration d'eau dans un outil électrique augmente le risque de décharge électrique.
- **Ne maltraitez pas le câble d'alimentation. Ne vous servez jamais du câble d'alimentation pour transporter l'outil, pour le tirer, ou pour en débrancher la fiche secteur. Gardez le câble à l'écart de la chaleur, de l'huile, des bords coupants et des pièces en mouvement.** Les câbles endommagés ou emmêlés augmentent le risque de décharge électrique.
- **Lorsque vous utilisez un outil électrique en extérieur, utilisez une rallonge adaptée à un usage en extérieur.** L'utilisation d'une rallonge adaptée à un usage en extérieur réduit les risques de choc électrique.
- **S'il n'est pas possible d'éviter d'utiliser un outil électrique en environnement humide, utilisez une alimentation électrique équipée d'un disjoncteur différentiel.** L'utilisation d'un disjoncteur différentiel réduit le risque de choc électrique.

SÉCURITÉ PERSONNELLE

- **Restez vigilant, regardez ce que vous faites et faites preuve de bon sens lorsque vous utilisez un outil électrique. N'utilisez pas d'outil électrique si vous êtes fatigué ou sous l'influence de l'alcool, de drogues ou de médicaments.** Un moment d'inattention lors de l'utilisation d'un outil électrique suffit à provoquer de graves blessures.
 - **Utilisez des protections individuelles. Portez toujours une protection oculaire.** Des équipements de protection tels qu'un masque anti-poussières, des chaussures de sécurité antidérapantes, ou une protection auditive dans les conditions appropriées réduit le risque de blessures.
 - **Prévenez les mises en marche accidentelles. Assurez-vous que l'interrupteur est en position "arrêt" avant la connexion au secteur et/ou l'insertion de la batterie, ainsi qu'avant de saisir ou de transporter l'outil.** Le transport d'un outil électrique avec votre doigt sur l'interrupteur ou la mise sous tension d'un outil dont l'interrupteur est en position "marche" est propice aux accidents.
 - **Retirez toute clé ou tout outil de réglage avant de mettre l'outil électrique en marche.** Une clé ou un outil laissé sur une partie tournante d'un outil électrique est susceptible d'entraîner des blessures.
 - **Ne travaillez pas en extension. Prenez bien appui sur vos jambes et ne tendez pas le bras trop loin.** Vous contrôlerez ainsi mieux l'outil électrique en cas d'imprévu.
 - **Portez des vêtements adéquats. Ne portez pas de vêtements ou de bijoux amples. Maintenez vos cheveux, vos vêtements et vos gants éloignés des parties en mouvement.** Les vêtements et bijoux amples ainsi que les cheveux longs sont susceptibles d'être happés par les parties en mouvement.
 - **Si un dispositif d'extraction et de collecte des poussières est fourni, assurez-vous que ce dispositif est installé et utilisé de façon correcte.** L'utilisation d'un dispositif de collecte des poussières réduit les risques associés aux poussières.
- UTILISATION ET ENTRETIEN DES OUTILS ÉLECTRIQUES**
- **Ne faites pas forcer le produit. Utilisez un outil électrique adapté au travail à effectuer.** Un outil électrique adapté utilisé dans les limites de ses capacités effectuera un meilleur travail dans de meilleures conditions de sécurité.
 - **N'utilisez pas un outil électrique dont l'interrupteur marche/arrêt est inopérant.** Tout outil électrique qui ne peut pas être contrôlé par son interrupteur est dangereux et doit être réparé.
 - **Débranchez la fiche secteur de la source de courant et/ou le pack batterie de l'outil électrique avant d'effectuer tout réglage, tout changement d'accessoire, et avant de le ranger.** De telles mesures préventives de sécurité réduisent les risques de mettre accidentellement en marche l'outil électrique.
 - **Rangez les outils électriques inutilisés hors de portée des enfants et ne laissez pas les personnes**



non familiarisées avec l'outil électrique ou avec ces instructions s'en servir. Les outils électriques sont dangereux entre des mains non entraînées.

- **Entretenez les outils électriques. Vérifiez que les pièces en mouvement sont bien alignées et non déformées, qu'aucune pièce n'est cassée ou mal montée, et qu'aucun autre problème n'est susceptible d'affecter le bon fonctionnement de l'outil électrique. En cas de dommage, faites réparer l'outil électrique avant de l'utiliser.** Beaucoup d'accidents sont dus à des outils électriques mal entretenus.
- **Gardez les outils coupants propres et affûtés.** Les outils coupants bien entretenus et bien affûtés sont moins susceptibles de se déformer et sont plus faciles à contrôler.
- **Utilisez l'outil électrique, ses accessoires et ses embouts, etc. en concordance avec ces instructions, en prenant en compte les conditions de travail et le travail à effectuer.** L'utilisation détournée d'un outil électrique entraîne des situations dangereuses.

UTILISATION ET ENTRETIEN DES OUTILS ALIMENTÉS PAR BATTERIE

- **N'utilisez que le chargeur préconisé par le fabricant.** L'utilisation d'un chargeur prévu pour un type de batterie avec un autre type de batterie peut entraîner un risque d'incendie.
- **N'utilisez les outils électriques qu'avec les packs batterie leur étant spécifiquement destinés.** L'utilisation de tout autre pack batterie entraîne des risques de blessure et d'incendie.
- **Lorsque le pack batterie n'est pas utilisé, éloignez-le des autres objets métalliques tels que trombones, pièces de monnaie, clés, clous, vis, ou autres petits objets susceptibles de court-circuiter les bornes de la batterie.** La mise en court-circuit des bornes de la batterie peut causer des brûlures et entraîner un incendie.
- **Sous des conditions abusives, du liquide peut être éjecté de la batterie, évitez d'entrer en contact avec ce liquide. En cas de contact accidentel, lavez à grande eau. Si du liquide entre en contact avec les yeux, consultez immédiatement un médecin.** Le liquide éjecté de la batterie peut causer des irritations ou des brûlures.

ENTRETIEN

- **Faites réparer votre outil électrique par un réparateur qualifié n'utilisant que des pièces détachées identiques.** Vous maintiendrez ainsi la sécurité d'utilisation de votre outil électrique.

CONSIGNES DE SÉCURITÉ SPÉCIFIQUES

⚠ AVERTISSEMENT

Suivez les règles de sécurité lorsque vous utilisez le produit. Pour votre sécurité et celle des passants, veuillez lire ces instructions avant d'utiliser le produit. Veuillez conserver ce manuel pour vous-y reporter dans le futur.

⚠ AVERTISSEMENT

Cet appareil ne doit pas être utilisé par des personnes (enfants compris) aux capacités physiques, sensorielles ou mentales réduites, ou par des personnes manquant d'expérience et de connaissances à moins qu'elles n'aient été initiées à son utilisation et qu'elles ne soient surveillées par une personne responsable de leur sécurité. Les enfants doivent être surveillés afin de s'assurer qu'ils ne jouent pas avec l'appareil.

- Arrêtez la machine lorsque quiconque pénètre dans la zone. N'utilisez jamais la machine si des personnes, en particulier des enfants, ou des animaux familiers se trouvent à proximité. Si quelqu'un s'approche, arrêtez immédiatement l'appareil.
- Évitez d'utiliser la machine par mauvais temps, en particulier en cas de risque d'éclairs.
- Veillez à ce que votre zone de travail soit bien éclairée (lumière du jour ou lumière artificielle).
- Évitez d'utiliser la machine sur de l'herbe mouillée.
- Prenez bien appui sur vos jambes et ne tendez pas le bras trop loin.
- Ne reculez pas au cours de la tonte.
- Marchez, ne courez jamais.
- Maintenez la tête de coupe en dessous du niveau de votre taille.
- Ne coupez pas sur des surfaces autres que de l'herbe au niveau du sol.
- N'utilisez jamais le produit si ses protections sont absentes ou endommagées.
- N'utilisez jamais de fil de coupe en métal avec votre coupe-bordures.
- Maintenez toujours vos mains et vos pieds éloignés de la tête de fil, en particulier lors de la mise en marche du coupe-bordures.
- Vérifiez avec soin la zone où vous allez utiliser la machine, et retirez-en tous les cailloux, bâtons, objets métalliques, câbles, os, jouets et autres objets étrangers.
- Arrêtez et débranchez l'appareil du secteur avant de:
 - réparations
 - laisser la coupe bordure sans surveillance
 - nettoyer votre coupe bordure
 - changer un accessoire
 - vérifier tout dommage éventuel après avoir heurté un objet



- vérifier tout dommage éventuel au cas où la coupe bordure se mettrait à vibrer de façon anormale
- opérations d'entretien

- Portez des lunettes ou un masque de sécurité.
- Prenez garde aux risques de blessures provenant de tout dispositif destiné à tailler le fil de coupe.

ENTRETIEN

- N'utilisez que des accessoires et pièces détachées d'origine.
- Après avoir déroulé une nouvelle longueur de fil de coupe, remettez toujours le produit en position normale de travail avant de le remettre en marche.
- Après chaque utilisation, utilisez un chiffon propre et sec pour le nettoyage.
- Vérifiez régulièrement le bon serrage des écrous, vis et boulons pour que le produit soit toujours en bon état de fonctionnement. Toute pièce endommagée doit être correctement remplacée ou réparée par un service après-vente agréé.
- Les produits non utilisés doivent être rangés en un endroit sec et verrouillé, hors de portée des enfants. Ne rangez pas à l'extérieur.

Vérification après une chute ou autres chocs

Vérifiez minutieusement l'appareil et repérez tout dommage éventuel. Toute pièce endommagée doit être correctement remplacée ou réparée par un service après-vente agréé.

RISQUES RÉSIDUELS

Il a été reporté que les vibrations engendrées par les outils à main peuvent contribuer à l'apparition d'un état appelé le Syndrome de Raynaud chez certaines personnes. Les symptômes peuvent comprendre des fourmillements, un engourdissement et un blanchiment des doigts, généralement par temps froid.

Des facteurs héréditaires, l'exposition au froid et à l'humidité, le régime alimentaire, le tabagisme et les habitudes de travail peuvent contribuer au développement de ces symptômes. Certaines mesures peuvent être prises par l'utilisateur pour aider à réduire les effets des vibrations:

- Gardez votre corps au chaud par temps froid. Lorsque vous utilisez l'appareil, portez des gants afin de garder vos mains et vos poignets au chaud. Le temps froid est considéré comme un facteur contribuant très largement à l'apparition du Syndrome de Raynaud.
- Après chaque session de travail, pratiquez des exercices qui favorisent la circulation sanguine.
- Faites des pauses fréquentes. Limitez la quantité d'exposition journalière. Si vous ressentez l'un des symptômes associés à ce syndrome, arrêtez immédiatement le travail et consultez votre médecin pour lui en faire part.

UTILISATION PRÉVUE

Cet appareil ne doit être utilisé qu'à l'extérieur. Le produit est destiné à couper l'herbe et les mauvaises herbes, uniquement dans les jardins privés.

Coupe-bordures

Ce produit est prévu pour la coupe des hautes herbes, de

l'herbe grasse, ou des autres végétaux similaires au niveau du sol ou près du sol.

Dresse-bordures

Le produit est destiné à dresser des bordures nettes en périphérie des pelouses.

Cet appareil ne doit pas être utilisé pour la coupe ou la taille des haies, buissons ou autres végétaux pour lesquels le plan de coupe n'est pas parallèle à la surface du sol.

PROTECTION DE L'ENVIRONNEMENT



Recyclez les matières premières au lieu de les jeter aux ordures ménagères. Pour protéger l'environnement, l'outil, les accessoires et les emballages doivent être triés.

SYMBOLES



Avertissement



Pour travailler en toute sécurité, lisez et comprenez toutes les instructions avant d'utiliser le produit.



Portez une protection auditive



Portez une protection oculaire



Évitez toute utilisation par conditions humides.



Risque de Ricochet. Éloignez les visiteurs d'au moins 15 m.



Prenez garde à la projection d'objets au sol et dans les airs. Maintenez les visiteurs à bonne distance de l'outil.



Niveau de puissance sonore garanti



Les produits électriques hors d'usage ne doivent pas être jetés avec les ordures ménagères. Recyclez-les par l'intermédiaire des structures disponibles. Contactez les autorités locales pour vous renseigner sur les conditions de recyclage.



Conformité CE



Conformité GOST-R

**ALLGEMEINE SICHERHEITSWARNUNGEN****⚠️ WARNUNG**

Lesen Sie alle Warnungen und Anweisungen! Die Nichtbeachtung der Warnungen und Anweisungen kann zu Stromschlag, Feuer und/oder schweren Verletzungen führen.

Bewahren Sie diese Warnhinweise und Anweisungen für einen späteren Gebrauch gut auf.

Die Bezeichnung "Elektrowerkzeug" in den Warnhinweisen bezieht sich auf Ihr Elektrowerkzeug, das an das Stromnetz angeschlossen wird oder das akkubetriebene (kabellose) Elektrowerkzeug.

ARBEITSUMGEBUNG

- **Der Arbeitsbereich muss sauber und gut ausgeleuchtet sein.** Unordentliche oder dunkle Bereiche fordern Unfälle heraus.
- **Setzen Sie Elektrowerkzeuge nicht in explosiver Umgebung ein, wie z.B. bei Vorhandensein entzündlicher Flüssigkeiten, von Gasen oder Staub.** Elektrowerkzeuge erzeugen Funken, die Staub oder Dämpfe entzünden können.
- **Halten Sie Kinder und Außenstehende bei der Arbeit mit dem Werkzeug fern.** Jede Ablenkung kann dazu führen, dass Sie die Kontrolle verlieren.

SICHERHEITSHINWEISE ZUM ARBEITEN MIT ELEKTRIZITÄT

- **Der Stecker des Elektrowerkzeugs muss in die Steckdose passen.** Den Stecker niemals auf irgendeine Weise modifizieren. Verwenden Sie mit geerdeten Elektrowerkzeugen niemals Übergangsstecker. Nicht-modifizierte Stecker und passende Steckdosen reduzieren das Risiko von Stromschlägen.
- **Vermeiden Sie Körperkontakt mit geerdeten Oberflächen, wie Rohren, Heizkörpern, Küchenherden und Kühlschränken.** Es besteht ein erhöhtes Stromschlagrisiko wenn Ihr Körper geerdet ist.
- **Nicht Regen oder feuchten Bedingungen aussetzen.** Ein Eindringen von Wasser in ein Elektrowerkzeug erhöht die Gefahr eines Stromschlags.
- **Das Stromkabel nicht überstrapazieren.** Verwenden Sie das Kabel niemals, um das Werkzeug damit zu tragen, zu ziehen oder den Stecker aus der Steckdose zu ziehen. Halten Sie das Kabel von Hitze, Öl, scharfen Kanten oder beweglichen Teilen fern. Beschädigte oder verwickelte Kabel erhöhen die Stromschlaggefahr.
- **Verwenden Sie bei der Arbeit mit Elektrowerkzeugen im Freien nur Verlängerungskabel, die auch zum Gebrauch im Freien geeignet sind.** Die Verwendung eines Kabels, das zum Gebrauch im Freien geeignet ist, verringert die Stromschlaggefahr.
- **Falls der Einsatz eines Elektrowerkzeugs an einem feuchten Ort unvermeidbar sein sollte, verwenden Sie ein durch eine Fehlerstromschutzschaltung geschütztes Stromnetz.** Der Einsatz einer

Fehlerstromschutzschaltung verringert die Stromschlaggefahr.

PERSÖNLICHE SICHERHEIT

- **Blieben Sie wachsam, achten Sie auf das was Sie tun und benutzen Sie bei der Arbeit mit Werkzeugen Ihren gesunden Menschenverstand. Verwenden Sie das Werkzeug nicht bei Müdigkeit oder unter dem Einfluss von Drogen, Alkohol oder Medikamenten.** Ein kurzer Moment der Unachtsamkeit bei der Arbeit mit einem Werkzeug kann zu schweren Verletzungen führen.
- **Verwenden Sie Schutzausrüstung. Tragen Sie immer einen Augenschutz.** Schutzausrüstung wie Staubmasken, rutschfeste Schuhe, Schutzhelm oder Gehörschutz, die unter entsprechenden Bedingungen verwendet werden, reduzieren die Verletzungsgefahr.
- **Vermeiden Sie ein unbeabsichtigtes Einschalten.** Vergewissern Sie sich, dass der Schalter des Werkzeugs sich vor dem Anschluss an das Stromnetz und/oder dem Akku, beim Aufheben oder Tragen, in der OFF (AUS) Position befindet. Das Tragen von Elektrowerkzeugen mit dem Finger am Schalter bzw. von an das Stromnetz angeschlossenen Elektrowerkzeugen bei eingeschaltetem Schalter kann zu Unfällen führen.
- **Entfernen Sie Einstellschlüssel bevor Sie das Werkzeug einschalten.** Ein auf einem sich drehenden Teil des Werkzeugs verbleibender Schlüssel kann zu Verletzungen führen.
- **Überarbeiten Sie sich nicht. Sorgen Sie jederzeit für einen festen Stand und ein gutes Gleichgewicht.** Dies sorgt für eine bessere Kontrolle über das Werkzeug in unerwarteten Situationen.
- **Kleiden Sie sich den Umständen entsprechend! Tragen Sie keine locker sitzende Kleidung oder Schmuck. Halten Sie Haare, Kleidung und Handschuhe von beweglichen Teilen fern.** Locker sitzende Kleidung, Schmuck oder lange Haare können sich in beweglichen Teilen verfangen.
- **Falls Zubehörteile zum Absaugen von Staub oder als Sammelvorrichtungen geliefert werden, vergewissern Sie sich, dass diese angeschlossen sind und ordnungsgemäß funktionieren.** Der Einsatz von Staubsammelvorrichtungen kann staubbedingte Gefahren reduzieren.

BENUTZUNG UND PFLEGE DES ELEKTROWERKZEUGS

- **Betätigen Sie das Werkzeug nicht mit Gewalt.** Verwenden Sie das geeignete Werkzeug für Ihre Arbeit. Das geeignete Werkzeug erledigt die Arbeit besser und sicherer mit der Geschwindigkeit für die es ausgelegt wurde.
- **Verwenden Sie das Elektrowerkzeug nicht, falls es sich durch den Schalter nicht ein- und ausschalten lässt.** Ein Elektrowerkzeug, das sich durch den Schalter nicht steuern lässt, ist gefährlich und muss repariert werden.
- **Ziehen Sie den Netzstecker aus der Steckdose und/oder nehmen den Akku aus dem Elektrowerkzeug, bevor Sie irgendwelchen Einstellungen vornehmen, Zubehör wechseln oder Elektrowerkzeuge lagern.** Diese vorbeugenden Maßnahmen reduzieren



das Risiko eines unbeabsichtigten Startens des Elektrowerkzeugs.

- **Bewahren Sie Werkzeuge, die nicht benutzt werden, außer Reichweite von Kindern auf und erlauben Sie Personen, die mit dem Werkzeug oder dieser Anleitung nicht vertraut sind, nicht den Umgang mit dem Werkzeug.** Werkzeuge in den Händen unbedarfter Anwender sind ein Gefahr!
- **Pflegen Sie Werkzeuge. Überprüfen Sie sie auf Fluchtungsabweichungen oder ein Blockieren beweglicher Teile, beschädigte Teile und andere Umstände, die sich auf den Betrieb des Werkzeugs auswirken könnten. Lassen Sie das Werkzeug bei Beschädigung vor dem Gebrauch reparieren.** Viele Unfälle werden durch schlecht gepflegte Werkzeuge verursacht.
- **Halten Sie Schneidewerkzeuge scharf und sauber.** Ordnungsgemäß gepflegte Schneidewerkzeuge mit scharfen Schnittklingen blockieren nicht so leicht und lassen sich einfacher unter Kontrolle halten.
- **Benutzen Sie das Elektrowerkzeug, Zubehör und Werkzeugeinsätze usw. gemäß diesen Anweisungen und ziehen die Arbeitsbedingungen und die zu leistende Arbeit in Betracht.** Der Einsatz des Elektrowerkzeugs für Arbeiten, für die es nicht vorgesehen ist, kann zu gefährlichen Situationen führen.

BENUTZUNG UND WARTUNG VON AKKUGERÄTEN

- **Laden Sie den Akku nur mit dem durch den Hersteller vorgesehenen Ladegerät auf.** Ein Ladegerät, das für eine Art von Akkus geeignet ist, kann eine Feuergefahr darstellen, wenn es für eine andere Akkuart verwendet wird.
- **Verwenden Sie Elektrowerkzeuge nur mit den dafür vorgesehenen Akkus.** Die Verwendung anderer Batterien oder Akkus kann zu Verletzungen und Feuer führen.
- **Halten Sie Akkus, die nicht benutzt werden, von anderen Metallobjekten wie Büroklammern, Münzen, Schlüsseln, Nägeln, Schrauben oder anderen kleinen Metallobjekten, die eine Verbindung zwischen den Polen herstellen könnten, fern.** Ein Kurzschließen der Akkupole kann Verbrennungen oder ein Feuer verursachen.
- **Unter missbräuchlichen Bedingungen kann Flüssigkeit aus dem Akku spritzen - vermeiden Sie den Kontakt mit dieser Flüssigkeit! Falls es versehentlich zu einem Kontakt kommen sollte, spülen Sie die Flüssigkeit mit Wasser ab. Suchen Sie außerdem medizinische Hilfe auf, falls die Flüssigkeit in die Augen gerät.** Aus dem Akku ausgetretene Flüssigkeit kann zu Irritationen oder Verätzungen führen.

SERVICE – REPARATUR

- **Lassen Sie Ihr Werkzeug durch qualifizierte Fachleute unter ausschließlicher Verwendung von identischen Ersatzteilen warten.** Dadurch wird sichergestellt, dass das Werkzeug in einem sicheren Betriebszustand gehalten wird.

SPEZIELLE SICHERHEITSGEDELN

⚠ WARNUNG

Die Sicherheitsregeln müssen befolgt werden, wenn dieses Produkt benutzt wird. Lesen Sie für Ihre eigene Sicherheit und die von Außenstehenden diese Anweisungen bevor Sie das Produkt benutzen. Bitte bewahren Sie die Anweisungen zum späteren Nachschlagen auf.

⚠ WARNUNG

Dieses Gerät ist nicht zur Verwendung durch Personen (einschließlich Kindern) mit eingeschränkten physischen, sensorischen oder mentalen Fähigkeiten, oder mangelnder Erfahrung und Wissen vorgesehen, es sei denn, sie werden durch eine Person, die für ihre Sicherheit verantwortlich ist, beaufsichtigt oder erhalten von solch einer Person Anweisungen zum Gebrauch des Geräts. Kinder müssen beaufsichtigt werden, so dass gewährleistet ist, dass sie nicht mit dem Gerät spielen.

- Stoppen Sie die Maschine, wenn jemand diesen Bereich betritt. Betreiben Sie die Maschine niemals, wenn sich Personen, vor allem Kinder, oder Tiere in der Nähe befinden. Halten Sie die Maschine sofort an, wenn sich jemand Ihnen nähert.
- Vermeiden Sie es die Maschine bei schlechtem Wetter zu benutzen, besonders bei Gewittergefahr.
- Benutzen Sie das Produkt nicht bei schlechtem Licht, nur bei Tageslicht.
- Vermeiden Sie den Einsatz in nassem Gras.
- Sorgen Sie jederzeit für einen festen Stand und ein gutes Gleichgewicht.
- Gehen Sie während des Trimmens nicht rückwärts.
- Gehen Sie immer, laufen sie nie.
- Halten Sie den Trimmerkopf unterhalb der Hüfthöhe.
- Schneiden Sie auf keinem anderen Untergrund als Gras auf dem Boden.
- Bedienen Sie das Produkt niemals mit beschädigten oder ohne angebauten Schutzvorrichtungen.
- Benutzen Sie den Freischneider nur im Außenbereich.
- Halten Sie Ihre Hände und Füße weit von der Schneidearbeitsfläche entfernt, vor allem wenn der Motor läuft.
- Untersuchen Sie den Bereich, in dem die Maschine verwendet werden soll, genau und entfernen Sie alle Steine, Stöcke, Metall, Draht, Knochen, Spielzeug oder andere fremde Objekte.
- Ausschalten und vom Stromnetz trennen bevor:
 - pflege
 - Den Trimmer unbeaufsichtigt lassen
 - Reinigen Ihres Trimmers
 - Wechsel von Zubehörteilen
 - Überprüfen auf Schäden nachdem ein Gegenstand getroffen wurde
 - Überprüfen auf Schäden, wenn der Trimmer ungewöhnlich vibriert



EN
FR
DE
ES
IT
NL
PT
DA
SV
FI
NO
RU
PL
CS
HU
RO
LV
LT
ET
HR
SK
BG

- Durchführung von Wartungsarbeiten
- Tragen Sie eine Schutzbrille oder Augenschutz.
- Schützen Sie sich vor Verletzungen durch Vorrichtungen zum Trimmen der Fadenlänge.

WARTUNG UND PFLEGE

- Verwenden Sie nur Original-Ersatzteile und Zubehör.
- Bringen Sie das Produkt nach dem Herausschieben neuen Fadens immer erst wieder in die normale Betriebsposition, bevor Sie es einschalten.
- Nach jeder Benutzung mit einem weichen, trockenen Lappen reinigen.
- Überprüfen Sie Bolzen, Muttern und Schrauben immer wieder ob alles fest angezogen wird so dass das Produkt in einem sicheren Zustand ist. Jedes beschädigte Teil sollte durch den autorisierten Kundendienst ordnungsgemäß repariert oder ausgetauscht werden.
- Bei Nichtbenutzung muss das Produkt an einem trockenen Ort und verschlossen außerhalb der Reichweite von Kindern aufbewahrt werden. Nicht im Freien lagern.

Inspektion nach einem Fall oder anderen Schlägen

Inspezieren Sie das Produkt gründlich und identifizieren jegliche Beeinflussung oder Beschädigung. Jedes beschädigte Teil sollte durch den autorisierten Kundendienst ordnungsgemäß repariert oder ausgetauscht werden.

RESTRISIKEN:

Vibrationen von in der Hand gehaltenen Werkzeugen können bei einigen Personen zu einem Zustand, der Raynaud-Syndrom genannt wird, führen. Symptome sind u.a. Kribbeln, Taubheitsgefühl und episodische Weißfärbung der Finger und treten normalerweise bei Kälte auf.

Man geht davon aus, dass ererbte Faktoren, Kälte und Feuchtigkeit, Essgewohnheiten, Rauchen und Arbeitsweise zur Entwicklung dieser Symptome beitragen. Der Anwender kann Maßnahmen ergreifen, um die Auswirkungen der Vibrationen möglicherweise zu verringern:

- Halten Sie den Körper bei Kälte warm. Tragen Sie beim Betrieb des Geräts Handschuhe, um Hände und Handgelenke warm zu halten. Berichten zu Folge ist kaltes Wetter ein wesentlicher Faktor, der zum Raynaud Syndrom beiträgt.
- Betätigen Sie sich nach jedem Einsatz körperlich, um den Blutkreislauf zu steigern.
- Machen Sie regelmäßig Pausen. Beschränken Sie die Beanspruchung pro Tag. Sollten bei Ihnen Symptome dieses Zustands auftreten, stellen Sie unverzüglich den Betrieb ein und suchen Sie in Hinsicht auf die Symptome einen Arzt auf.

VORGESEHENE VERWENDUNG

Dieses Produkt ist nur für die Benutzung im Freien geeignet. Das Produkt ist nur zum Schneiden von Gras und schwachem Gebüsch im privaten Gartenbereich konstruiert.

Motorsense

Das Produkt ist zum Schneiden von langem Gras, Unkraut, und ähnlicher Vegetation auf bzw. über Bodenhöhe

vorgesehen.
Kantenschneider

Das Produkt vorgesehen um ordentliche Rasenkanten zu schneiden.

Das Produkt darf nicht zum Schneiden oder Trimmen von Hecken, Büschen oder anderer Vegetation verwendet werden, wobei die Schnittebene sich nicht parallel zur Oberfläche des Untergrunds befindet.

UMWELTSCHUTZ



Recyclen Sie die Rohstoffe anstatt sie in die Haushaltsabfälle zu geben. Zum Schutz der Umwelt müssen das Gerät, die Zubehörteile und die Verpackungen getrennt entsorgt werden.

SYMBOLE



Sicherheitswarnung



Lesen und verstehen Sie für den sicheren Betrieb all Anweisungen, bevor Sie das Produkt benutzen.



Gehörschutz tragen



Tragen Sie einen Augenschutz



Vermeiden Sie den Einsatz in nasser oder feuchter Umgebung.



Gefahr von Querschlägern. Halten Sie alle Außenstehenden mindestens 15 Meter fern.



Achten Sie auf geschleuderte oder fliegende Objekte. Halten Sie andere Personen auf sicherer Entfernung von der Maschine.



garantierter Schalleistungspegel



Elektrische Geräte sollten nicht mit dem übrigen Müll entsorgt werden. Bitte entsorgen Sie diese an den entsprechenden Entsorgungsstellen. Wenden Sie sich an die örtliche Behörde oder Ihren Händler, um Auskunft über die Entsorgung zu erhalten.



CE-Konformität



GOST-R-Konformität

**ALERTA DE SEGURIDAD GENERAL****⚠ ADVERTENCIA**

Lea todas las advertencias de peligro e instrucciones. El incumplimiento de las advertencias e instrucciones puede provocar descargas eléctricas, incendios y/o lesiones graves.

Conserve estas advertencias e instrucciones para poder consultarlas posteriormente.

El término "herramienta eléctrica" que aparece en las advertencias se refiere a su herramienta eléctrica (con cable) o con batería (sin cables).

ZONA DE TRABAJO

- **Mantenga el área de trabajo limpia y bien iluminada.** Las zonas oscuras o poco despejadas pueden provocar accidentes.
- **No utilice herramientas eléctricas en entornos inflamables, como puede ser en presencia de líquidos inflamables, gases o polvo.** Las herramientas eléctricas crean chispas que pueden inflamar el polvo o el humo.
- **Mantenga a los niños y personas ajenas alejadas de la zona en la que está utilizando la herramienta eléctrica.** Las distracciones pueden hacer que pierda el control de la herramienta.

SEGURIDAD ELÉCTRICA

- **Las conexiones de la herramienta eléctrica deben corresponder a los de la toma de corriente. No modifique el enchufe de ninguna manera. No utilice ningún adaptador con herramientas eléctricas conectadas a tierra.** Utilizar enchufes sin modificar y tomas correspondientes reducirán el riesgo de descargas eléctricas.
- **Evite el contacto corporal con superficies conectadas a tierra, como tuberías, radiadores, estufas y refrigeradores.** Existe un mayor riesgo de descargas eléctricas si su cuerpo está conectado a tierra.
- **No la esponga a la lluvia o a lugares húmedos.** Si entra agua en una herramienta eléctrica podría aumentar el riesgo de descargas eléctricas.
- **Utilice correctamente el cable. No utilice el cable para llevar, tirar o desconectar el cable de la herramienta. Mantenga el cable lejos del calor, aceite, bordes afilados o partes móviles.** Los cables dañados o enredados aumentan el riesgo de descargas eléctricas.
- **A la hora de utilizar herramientas eléctricas al aire libre, utilice un alargador adecuado para uso en exteriores.** El uso de un cable adecuado para uso en exteriores reduce el riesgo de descargas eléctricas.
- **Si es inevitable utilizar una herramienta eléctrica en un lugar húmedo, utilice un dispositivo de corriente residual (RCD) como protección.** El uso de un RCD reduce el riesgo de descargas eléctricas.

SEGURIDAD PERSONAL

- **Manténgase alerta y atento a lo que está haciendo y utilice el sentido común al utilizar una herramienta eléctrica. No utilice una herramienta eléctrica cuando esté cansado o bajo la influencia de drogas, alcohol o medicamentos.** En un momento de descuido, mientras utiliza herramientas eléctricas podrían ocurrir lesiones personales graves.
- **Utilice un equipo de protección personal. Utilice siempre dispositivos de protección ocular.** El equipo de protección como las máscaras de polvo, calzado antideslizante de seguridad, cascos rígidos o unas condiciones adecuadas reducirán los daños corporales.
- **Evite la puesta en marcha accidental de la herramienta. Asegúrese de que el interruptor está en posición OFF antes de conectar la herramienta a una toma de corriente y/o batería, y levantar o transportar la herramienta.** El transporte de herramientas con el dedo sobre el interruptor o la conexión de herramientas eléctricas con el interruptor en ON puede causar accidentes.
- **Extraiga cualquier llave de ajuste antes de encender la herramienta eléctrica.** Una llave que se encuentra conectada a una pieza de rotación puede resultar en lesiones personales.
- **No se extienda demasiado. Afírmese bien en sus piernas y no extienda demasiado el brazo.** Esto permite un mejor control de la herramienta eléctrica en situaciones inesperadas.
- **Lleve ropa adecuada. No use ropa holgada o joyas. Mantenga su cabello, ropa y guantes lejos de las piezas móviles.** La ropa suelta, joyas o el cabello largo pueden quedar atrapados en las piezas móviles.
- **Si existen dispositivos para la conexión de accesorios de recogida y extracción de polvo, asegúrese de que están conectados y que se utilizan adecuadamente.** El uso de accesorios de recogida de polvo puede reducir riesgos relacionados con el polvo.

USO Y CUIDADO DE LA HERRAMIENTA ELÉCTRICA

- **No fuerce el producto. Utilice la herramienta correcta para su aplicación.** La herramienta correcta hará un trabajo más seguro y mejor para el que ha sido diseñada.
- **No utilice la herramienta eléctrica si el interruptor de encendido no responde.** Cualquier herramienta que no puede ser controlada con el interruptor de encendido es peligrosa y debe ser reparada.
- **Desconecte el enchufe de la fuente de alimentación y/o extraiga la batería de la herramienta eléctrica antes de hacer cualquier ajuste, cambiar accesorios o almacenar herramientas eléctricas.** Estas medidas preventivas de seguridad reducen el riesgo de arranque accidental de la herramienta.
- **Coloque las herramientas eléctricas a ralenti fuera del alcance de los niños y no permita que personas no familiarizadas con la herramienta o con estas instrucciones la utilicen.** Las herramientas eléctricas son peligrosas en manos de personas no capacitadas.



- **Realice labores de mantenimiento de las herramientas eléctricas. Compruebe la alineación o unión de las piezas móviles, si existe rotura de piezas o cualquier otro problema que pueda afectar al funcionamiento de la herramienta. Si alguna pieza está dañada, la herramienta eléctrica debería repararse antes de volver a utilizarla.** Muchos accidentes son causados por un mantenimiento deficiente.
- **Mantenga las herramientas de corte bien afiladas y limpias.** Las herramientas de corte con bordes de corte afilados que tienen un mantenimiento adecuado reducen su deterioro y son más fáciles de controlar.
- **Utilice la herramienta, accesorios, partes eléctricas, etc., de acuerdo con estas instrucciones, teniendo en cuenta las condiciones de trabajo y el trabajo que se va a realizar.** Utilizar la herramienta eléctrica para realizar trabajos diferentes a los que esta herramienta está destinada podría dar como resultado una situación peligrosa.

USO Y CUIDADO DE LA HERRAMIENTA

- **Recargue la unidad solamente con el cargador especificado por el fabricante.** Podría haber un riesgo de incendio cuando se utilice un cargador con una batería para la que no está diseñado.
- **Utilice sólo herramientas eléctricas específicamente diseñadas para ellos.** Utilizar cualquier otro tipo de baterías puede causar lesiones o un riesgo de incendio.
- **Cuando la batería no está en uso, manténgala alejada de otros objetos metálicos como clips, monedas, llaves, clavos, tornillos u otros objetos metálicos pequeños que puedan crear una conexión desde una terminal a otra.** Causar un cortocircuito en los terminales de la batería puede causar quemaduras o un incendio.
- **En condiciones abusivas, podría salir expulsado líquido de la batería, por lo que debería evitar el contacto con éste. Si se produce un contacto accidental, enjuáguese las manos con agua. Si el líquido entra en contacto con los ojos, acuda inmediatamente al médico.** Si el líquido es expulsado de la batería y entra en contacto con él, podría causar irritación o quemaduras.

MANTENIMIENTO

- **Su herramienta eléctrica debería ser reparada por personas cualificadas, que deberían utilizar únicamente piezas de repuesto idénticas.** Esto garantizará la seguridad a la hora de utilizar la herramienta eléctrica.

INSTRUCCIONES DE SEGURIDAD ESPECÍFICAS

⚠ ADVERTENCIA

Al utilizar el producto, deben seguirse las normas de seguridad. Por su propia seguridad y la de los que le rodean, lea estas instrucciones antes de utilizar el producto. Guarde las instrucciones para usarlas en el futuro.

⚠ ADVERTENCIA

Este aparato no deberá ser utilizado por personas (incluyendo niños) con discapacidades físicas, sensoriales o mentales, o falta de experiencia y conocimiento, a menos que una persona responsable por su seguridad les supervise o les indique las instrucciones del uso del aparato. Los niños deben ser supervisados para evitar que jueguen con el aparato.

- Detenga la máquina si alguien entra en el área. No haga funcionar la máquina mientras haya cerca personas, especialmente niños, o animales. Si se le acerca, detenga inmediatamente la unidad.
- Evite utilizar la máquina con mal tiempo, especialmente si hay riesgo de tormenta eléctrica.
- Use el producto de día o bajo luz artificial bien iluminada.
- Evite el uso en hierba mojada.
- Afírmese bien en sus piernas y no extienda demasiado el brazo.
- No caminar hacia atrás cuando se está recortando.
- Camine, nunca corra.
- Mantenga el cabezal de la podadora por debajo del nivel de la cintura.
- No cortar sobre superficies diferentes a hierba en el suelo.
- No utilice el producto con las cubiertas dañadas o sin tenerlas colocadas.
- Nunca adapte una línea de reemplazo de metal.
- Mantenga las manos y los pies lejos de los medios cortantes en todo momento y especialmente cuando encienda el motor.
- Inspeccione cuidadosamente el área donde va a utilizarse la herramienta y retire todas las rocas, palos, metales, alambres, huesos, juguetes u otros objetos extraños.
- Desactivar y desconectar del suministro eléctrico antes de:
 - mantenimiento
 - dejar la podadora desatendida
 - limpiar su podadora
 - cambiar accesorios
 - comprobar si hay daños después de golpear un objeto
 - comprobar si hay daños en caso de que la podadora empiece a vibrar de un modo anormal
 - realizar operaciones de mantenimiento
- Use gafas de protección.
- Tenga especial cuidado para evitar lesiones al utilizar cualquier dispositivo equipado en la desbrozadora para cortar la longitud del hilo de filamento.

MANTENIMIENTO

- Utilice únicamente piezas de repuesto y accesorios originales.
- Después de extender un nuevo hilo de corte, asegúrese



siempre de que el producto está en su posición de funcionamiento normal antes de encenderla.

- Limpiar con un paño suave seco después de cada uso.
- Verifique a intervalos frecuentes si todas las tuercas, pernos y tornillos están apretados apropiadamente para asegurarse de que el producto esté en buenas condiciones de trabajo. Cualquier pieza dañada debe ser sustituida o reparada adecuadamente por un centro de servicio autorizado.
- Cuando no esté utilizando este producto debería guardarla en un lugar seco, fresco y bajo llave, fuera del alcance de los niños. No almacenar al aire libre.

Inspección tras caídas u otros impactos

Inspeccione cuidadosamente el producto para identificar cualquier problema o daño. Cualquier pieza dañada debe ser sustituida o reparada adecuadamente por un centro de servicio autorizado.

RIESGOS RESIDUALES:

Se ha informado de que las vibraciones de las herramientas de mano puede contribuir a una condición llamada síndrome de Raynaud en ciertos individuos. Los síntomas pueden incluir hormigueo, entorpecimiento y decoloración de los dedos, generalmente aparentes cuando tiene lugar una exposición al frío.

Se considera que los factores hereditarios, exposición al frío y a la humedad, dieta, tabaquismo y prácticas de trabajo contribuyen al desarrollo de estos síntomas. Existen medidas que pueden ser tomadas por el operador para reducir los efectos de vibración:

Mantenga su cuerpo caliente durante el tiempo frío. Al manipular la unidad, utilice guantes para mantener las manos y las muñecas calientes. Hay informes que indican que el tiempo frío es un gran factor que contribuye al síndrome de Raynaud.

- Después de cada período de funcionamiento, realice ejercicios para aumentar la circulación sanguínea.
- Haga pausas de trabajo frecuentes. Limite la cantidad de exposición por día. Si siente alguno de los síntomas de esta enfermedad, interrumpa inmediatamente el uso y consulte a su médico estos síntomas.

USO PREVISTO

Este producto sólo está pensado para su uso al aire libre. El producto está diseñada para cortar hierba y maleza ligera sólo en áreas ajardinadas privadas.

Recortadora de hilo

Este producto está diseñado para cortar hierba alta, maleza pulposa, y vegetación similar a ras o sobre el nivel del suelo.

Bordeadora

El aparato está destinado a cortar bordes limpios en el césped.

Este producto no debería ser utilizado para cortar o recortar setos, arbustos u otro tipo de vegetación cuando el plano de corte no es paralelo a la superficie del suelo.

PROTECCIÓN DEL MEDIO AMBIENTE



Recicle las materias primas en lugar de tirarlas a la basura doméstica. Para proteger el medio ambiente, debe separar la herramienta, los accesorios y los embalajes.

SÍMBOLOS



Advertencia



Para un funcionamiento seguro, lea y comprenda todas las instrucciones antes de usar el producto.



Utilice dispositivos de protección para los oídos



Utilice protección ocular



Evite el uso en condiciones de humedad.



Riesgo de rebote. Mantenga a todos los presentes al menos a 15 metros de distancia.



Tenga cuidado con los objetos volátiles o lanzados.

Mantenga a los espectadores a una distancia segura de la herramienta.



Nivel de potencia acústica garantizado



Los productos eléctricos de desperdicio no deben desecharse con desperdicios caseros. Por favor recíclelos donde existan dichas instalaciones. Compruebe con su autoridad local o minorista para reciclar.



Conformidad con CE



Conformidad con GOST-R

**AVVERTENZE GENERALI DI SICUREZZA****⚠ AVVERTENZA**

Leggere tutte le avvertenze di sicurezza e le istruzioni. La mancata osservanza di tutte le istruzioni potrà causare scosse elettriche, incendi e/o gravi lesioni personali.

Conservare le presenti avvertenze ed istruzioni per poterle consultare in seguito.

Il termine "elettroutensile" nelle avvertenze fa riferimento a un elettroutensile che funziona con una spina (con cavo) o a batterie (senza cavo).

AMBIENTE DI LAVORO

- **Mantenere l'area di lavoro pulita e ben illuminata.** Aree di lavoro disordinate o non illuminate adeguatamente potranno causare incidenti.
- **Non mettere in funzione gli elettroutensili in atmosfere esplosive, come in presenza di liquidi infiammabili, gas o polvere.** Gli elettroutensili creano scintille che possono causare incendi a contatto con polveri e fumi.
- **Tenere bambini ed eventuali osservatori lontani mentre si mette in funzione l'elettroutensile.** Eventuali distrazioni potranno causare una perdita di controllo.

SICUREZZA ELETTRICA

- **La spina dell'elettroutensile deve corrispondere alla presa. Non modificare la spina in alcun modo. Non utilizzare spine adattatrici con elettroutensili con messa a terra (presa di terra).** Spine non modificate e prese corrispondenti ridurranno il rischio di scosse elettriche.
- **Evitare il contatto del corpo con superfici con messa a terra come tubi, radiatori, piani cottura e refrigeratori.** Rischio aumentato di scosse elettriche se il corpo viene collegato con messa a terra.
- **Non esporre a pioggia o umidità.** Nel caso in cui dell'acqua entrerà nell'elettroutensile il rischio di scosse elettriche aumenterà.
- **Non sottoporre a sforzi il cavo dell'alimentazione. Non trasportare né tirare o scollegare l'elettroutensile dal cavo. Tenere il cavo lontano da calore, olio, angoli appuntiti o parti in movimento.** Cavi danneggiati o intrecciati potranno far aumentare il rischio di scosse elettriche.
- **Quando si mette in funzione un elettroutensile all'esterno, utilizzare una prolunga adatta all'esterno.** Utilizzare un cavo adatto agli esterni per ridurre il rischio di scosse elettriche.
- **Nel caso in cui non si possa fare a meno di mettere in funzione un elettroutensile in un luogo umido, utilizzare un dispositivo di corrente residua (RCD).** Utilizzare un RCD ridurrà il rischio di scosse elettriche.

SICUREZZA PERSONALE

- **Mantenere sempre l'attenzione e utilizzare buon senso quando si utilizza un elettroutensile. Non utilizzare un elettroutensile se stanchi o sotto l'influenza di droghe, alcool o farmaci.** Un momento di disattenzione durante le operazioni potrà risultare in gravi lesioni personali.
 - **Utilizzare equipaggiamento di protezione personale. Indossare sempre occhiali di protezione.** Utilizzare sempre equipaggiamento di protezione come maschere per la polvere, calzature antiscivolo, caschi o cuffie di protezione per ridurre rischi di lesioni alla persona.
 - **Prevenire l'avvio accidentale. Assicurarsi che l'interruttore sia sulla posizione off (spento) prima di collegare l'utensile all'alimentazione e/o al gruppo batterie, o prima di afferre e trasportare l'utensile.** Trasportare elettroutensili tenendo un dito sull'interruttore o con l'elettroutensile acceso potrà causare incidenti.
 - **Rimuovere eventuali chiavi o dispositivi di regolazione prima di accendere l'elettroutensile.** Una chiave o un dispositivo di blocco collegato a una parte rotante dell'utensile potrà risultare in gravi lesioni personali.
 - **Non protendersi. Rimanere bene in equilibrio sulle gambe e non distendere troppo lontano le braccia.** Ciò permetterà un miglior controllo dell'elettroutensile in situazioni inaspettate.
 - **Indossare un abbigliamento adatto. Non utilizzare abiti con parti svolazzanti o gioielli. Tenere capelli, vestiti e guanti lontani dalle parti in movimento.** Abiti con parti svolazzanti, gioielli o capelli lunghi potranno rimanere impigliati nelle parti in movimento.
 - **Nel caso in cui vengano forniti dispositivi per l'estrazione e la raccolta della polvere, assicurarsi che gli stessi siano collegati e utilizzati correttamente.** Utilizzare il sacchetto di raccolta della polvere può ridurre rischi collegati alla polvere.
- UTILIZZO E MANUTENZIONE ELETTROUTENSILI**
- **Non forzare il prodotto. Utilizzare l'elettroutensile corretto per il proprio lavoro.** L'elettroutensile corretto svolgerà in maniera migliore e più sicura il lavoro per il quale è stato progettato.
 - **Non utilizzare l'elettroutensile se l'interruttore non si accende e spegne.** Un elettroutensile che non può essere controllato dall'interruttore è pericoloso e deve essere riparato.
 - **Scollegare la presa dall'alimentazione e/o il gruppo batterie dall'elettroutensile prima di fare le adeguate regolazioni, cambiare gli accessori o riporre gli elettroutensili.** Queste misure di sicurezza preventive ridurranno il rischio di avvio dell'elettroutensile.
 - **Riporre elettroutensili lontano dalla portata dei bambini e non permettere a persone che non conoscano il funzionamento dell'elettroutensile o queste istruzioni di metterlo in funzione.** Gli elettroutensili possono essere pericolosi se utilizzati da personale non preparato.
 - **Svolgere sempre le operazioni di manutenzione**



sull'elettrotensile. Controllare l'eventuale allineamento scorretto o blocco delle parti in movimento, la rottura di parti e qualsiasi altra condizione che potrà influenzare il funzionamento dell'elettrotensile. In caso di danni far riparare l'elettrotensile prima di utilizzarlo. Elettrotensili sui quali non sono state svolte le dovute operazioni di manutenzione possono essere causa di incidenti.

- **Mantenere tutti gli utensili affilati e appuntiti.** Utensili per operazioni di taglio con parti taglienti sui quali sono state svolte le corrette operazioni di manutenzione non si bloccheranno e saranno più facili da controllare.
- **Utilizzare l'elettrotensile, i suoi accessori, le punte ecc. assieme a queste istruzioni tenendo conto delle condizioni di lavoro e del lavoro da svolgere.** Utilizzare l'elettrotensile per operazioni diverse da quelle indicate potrà causare situazioni pericolose.

UTILIZZO E MANUTENZIONE DI UN UTENSILE A BATTERIE

- **Ricaricare solo con il caricatore indicato dalla ditta produttrice.** Un caricatore adatto per un tipo di batterie potrà creare un rischio di incendio se utilizzato con un altro gruppo batterie.
- **Utilizzare elettrotensili solo con i gruppi batteria indicati.** L'utilizzo di gruppi batteria diversi da quelli indicati potrà causare rischi di lesioni e incendi.
- **Quando il gruppo batterie non viene utilizzato, tenerlo lontano da oggetti in metallo come fermagli, monete, chiavi, chiodi, viti o altri piccoli oggetti che potranno fare da tramite da un terminale all'altro.** Cortocircuitare i terminali della batteria assieme potrà causare scottature o incendi.
- **Se sottoposto a stress, la batteria potrà perdere dei liquidi; evitare il contatto. Se si entra accidentalmente in contatto con tali liquidi, lavarsi immediatamente con acqua. Se il liquido entra negli occhi, rivolgersi a un medico.** Il liquido espulso dalla batteria potrà causare irritazioni o scottature.

MANUTENZIONE

- **Far svolgere la manutenzione da personale qualificato utilizzando solo parti di ricambio identiche.** Ciò permette di mantenere la sicurezza dell'elettrotensile.

NORME DI SICUREZZA SPECIFICHE

⚠ AVVERTENZA

Quando si utilizza questo prodotto, seguire eventuali norme di sicurezza. Per la propria sicurezza e per la sicurezza degli osservatori, leggere queste istruzioni prima di mettere in funzione il prodotto. Conservare le istruzioni per eventuali riferimenti futuri.

⚠ AVVERTENZA

Questo dispositivo non andrà utilizzato da persone (compreso bambini) con capacità fisiche, sensoriali o mentali ridotte o non abilitate ad utilizzare il prodotto e meno che non siano supervisionate ed abbiano ricevuto le istruzioni necessarie per utilizzare il prodotto da una persona responsabile per la loro sicurezza. Supervisionare i bambini per assicurarsi che non giochino con il dispositivo.

- Arrestare l'utensile se eventuali osservatori si avvicinano all'area di lavoro. Non mettere mai in funzione l'utensile in presenza di osservatori, soprattutto bambini, o animali. Nel caso in cui un osservatore si avvicini all'operatore, arrestare immediatamente l'unità.
- Evitare di utilizzare l'utensile in caso di condizioni climatiche avverse, soprattutto in caso di fulmini.
- Utilizzare il prodotto con la luce del giorno o con una buona illuminazione artificiale.
- Evitare di utilizzare sull'erba bagnata.
- Rimanere bene in equilibrio sulle gambe e non distendere troppo lontano le braccia.
- Non camminare all'indietro durante le operazioni di lavoro.
- Camminare, non correre mai.
- Tenere sempre la testa di taglio al di sotto del punto vita.
- Non utilizzare per tagliare materiali diversi dall'erba sul suolo.
- Non mettere mai in funzione il prodotto con paralame danneggiati o senza paralame.
- Non sostituire mai un cavo di metallo.
- Tenere mani e piedi lontani dalle parti di taglio e soprattutto durante l'accensione del motore.
- Ispezionare la zona dove si utilizza la macchina e rimuovere rocce, rami, pezzi di metallo, cavi, ossa, giocattoli o altri corpi estranei.
- Spegnerne e scollegare dall'alimentazione prima di:
 - assistenza
 - Lasciare l'utensile incustodito
 - Pulire l'utensile
 - Cambio accessori
 - Controllare eventuali danni dopo aver colpito un oggetto
 - Controllare eventuali danni se l'utensile inizia a vibrare eccessivamente
 - Svolgere le operazioni di manutenzione
- Indossare occhiali o visiere di protezione.
- Fare attenzione ad eventuali lesioni che potranno essere causate da accessori installati per tagliare il filo di taglio.

MANUTENZIONE

- Utilizzare solo parti e accessori originali.
- Dopo aver srotolato la nuova linea di taglio, riposizionare il prodotto nella posizione di funzionamento normale



prima di accenderla.

- Pulire con un panno morbido dopo ogni utilizzo.
- Controllare frequentemente dadi, bulloni e viti, verificando che siano stati assicurati correttamente per fare in modo che il prodotto garantisca condizioni di lavoro ottimali. Riparare eventuali parti danneggiate o farle sostituire da un centro servizi autorizzato.
- Quando non viene utilizzato il prodotto andrà riposto in un luogo asciutto e lontano dalla portata dei bambini. Non riporre all'esterno.

Controllare l'utensile dopo che è caduto o dopo altri tipi di impatti

Ispezionare il prodotto e identificare eventuali difetti o danni. Riparare eventuali parti danneggiate o farle sostituire da un centro servizi autorizzato.

RISCHI RESIDUI:

Si è accertato che le vibrazioni causate da utensili a mano possono contribuire a causare una condizione chiamata Sindrome di Raynaud in alcune persone. I sintomi, comprendenti formicolio, intorpidimento e perdita di colore alle dita, si verificano di solito quando ci si espone al freddo.

Fattori ereditari, esposizione a freddo e umidità, una dieta scorretta, fumo e condizioni di lavoro non sicure potranno contribuire allo sviluppo di questi sintomi. È possibile prendere delle precauzioni per ridurre le vibrazioni:

- Tenere il corpo al caldo a basse temperature. Quando si utilizza l'utensile, indossare guanti e tenere le mani e i polsi caldi. Le basse temperature contribuiscono a causare la Sindrome di Raynaud.
- Dopo aver utilizzato l'utensile per un certo periodo, fare degli esercizi per stimolare la circolazione del sangue.
- Fare spesso delle pause. Limitare la quantità di esposizione giornaliera. Nel caso in cui si provino i sintomi di questa condizione, interrompere immediatamente l'utilizzo dell'utensile e consultare un dottore.

UTILIZZO RACCOMANDATO

Prodotto da utilizzare solo all'esterno. Prodotto progettato per tagliare erba ed erbacce solo in aree e giardini privati.

Tagliabordi

Prodotto adatto a tagliare erba alta, erbacce, e vegetazione simile a livello del terreno.

Sfrondatore

Il prodotto progettato per sfrondare in modo preciso le siepi che circondano prati.

Il prodotto non deve essere utilizzato per tagliare o sfrondare siepi, cespugli o altra vegetazione in cui il piano di taglio non è parallelo alla superficie del terreno.

TUTELA DELL'AMBIENTE



Riciclare le materie prime anziché gettarle tra i rifiuti domestici. Per tutelare l'ambiente, l'apparecchio, gli accessori e gli imballaggi devono essere smaltiti separatamente.

SIMBOLI



Avvertenza



Per un funzionamento sicuro, leggere e comprendere tutte le istruzioni prima di utilizzare il prodotto.



Indossare cuffie di protezione



Indossare dispositivi di protezione occhi



Evitare di utilizzare in caso di pioggia o umidità.



Pericolo di rimbalzo. Tenere eventuali osservatori a 15 m di distanza.



Fare attenzione ad oggetti scagliati o lanciati dall'utensile. Tenere gli osservatori a una distanza di sicurezza dalla macchina.



Livello di potenza acustica garantito



I prodotti elettrici non devono essere smaltiti con i rifiuti domestici. Vi sono strutture per smaltire tali prodotti. Informarsi presso il proprio Comune o rivenditore di sicurezza per smaltire adeguatamente tali rifiuti.



Conformità CE



Conformità GOST-R

**ALGEMENE VEILIGHEIDSWAARSCHUWINGEN****⚠ WAARSCHUWING**

Lees alle veiligheidswaarschuwingen en instructies. Wanneer niet de waarschuwingen en instructies niet opvolgt, kan dit leiden tot elektrische schok en/of ernstig letsel.

Bewaar deze waarschuwingen en voorschriften zorgvuldig om ze ook later te kunnen inzien.

De term "elektrisch gereedschap" in de waarschuwingen verwijst naar gereedschap dat met de stroomtoevoer is verbonden (met snoer) of accu-aangedreven (snoerloos) gereedschap.

WERKOMGEVING

- **Houd de werkplek schoon en goed verlicht.** Vervuilde of donkere plekken nodigen uit tot ongevallen.
- **Gebruik elektrische werktuigen niet in explosieve omgevingen, zoals in de aanwezigheid van ontvlambare vloeistoffen, gassen of stof.** Elektrisch gereedschap kan vonken veroorzaken die het stof of de gassen kunnen ontsteken.
- **Houd kinderen en omstanders weg terwijl u elektrisch gereedschap gebruikt.** Wanneer u wordt afgeleid, kunt u de controle verliezen.

ELEKTRISCHE VEILIGHEID

- **Stekkers van elektrisch gereedschap moeten overeenkomen met de contactdoos. Wijzig de stekker nooit. Gebruik geen adapters met geaarde elektrische werktuigen.** Niet-gewijzigde stekkers en overeenkomstige contactdozen zullen het risico op elektrische schok verminderen.
- **Vermijd lichaamscontact met een geaard oppervlak, zoals buizen, radiatoren, kookforuizen en koelkasten.** Er bestaat een verhoogd risico voor elektrische schokken als uw lichaam is geaard.
- **Stel niet bloot aan regen of vocht.** Water dat een elektrisch werktuig binnendringt, verhoogt het risico op elektrische schokken.
- **Misbruik het snoer niet. Gebruik het snoer nooit om het elektrisch werktuig te dragen, eraan te trekken of het uit de contactdoos te trekken. Houd het snoer weg van hitte, olie, scherpe randen of bewegende onderdelen.** Beschadigde of verstrikte snoeren verhogen het risico op elektrische schokken.
- **Gebruik een verlengsnoer geschikt voor buitenshuis gebruik wanneer u een elektrisch werktuig buitenshuis gebruikt.** Het gebruik van een snoer dat geschikt is voor buitenshuis gebruik, vermindert het risico op elektrische schokken.
- **Als het gebruik van een elektrisch werktuig op een vochtige plaats onvermijdelijk is, gebruikt u een contactdoos die beschermd is door een aardlekschakelaar.** Het gebruik van een aardlekschakelaar vermindert het risico op elektrische schokken.

PERSOONLIJKE VEILIGHEID

- **Blijf alert, kijk naar wat u doet en gebruik uw gezond verstand wanneer u elektrisch gereedschap gebruikt.** Gebruik een elektrisch werktuig niet wanneer u moe of onder de invloed van drugs, alcohol of medicijnen bent. Een ogenblik van onoplettendheid terwijl u elektrisch gereedschap gebruikt, kan leiden tot ernstige verwondingen.
 - **Gebruik een persoonlijke beschermuitrusting. Draag altijd gehoorbescherming.** Beschermonderdelen, zoals een stofmasker, antislipschoeisel, helm of gehoorbescherming dat op een geschikte manier wordt gebruikt, zal het risico op verwondingen verlagen.
 - **Ongewenst starten voorkomen. Zorg ervoor dat de schakelaar zich in de uit-stand bevindt voor u de machine met een stroombron en/of accupack verbindt, de machine opheft of draagt.** Wanneer u elektrisch gereedschap draagt met de vinger op de schakelaar of wanneer het gereedschap met de stroombron is verbonden, kan dit leiden tot ongevallen.
 - **Verwijder alle afstelsleutels voor u het elektrisch werktuig inschakelt.** Een sleutel die op een draaiend onderdeel van het elektrisch gereedschap werd achtergelaten, kan leiden tot verwondingen.
 - **Overrek u niet. Ga altijd stevig op uw benen staan en reik niet te ver weg met uw arm.** Dit maakt een betere controle van het werktuig in onverwachte omstandigheden mogelijk.
 - **Draag geen wijde kleding, dassen of sieraden die klem kunnen raken en u naar de bewegende delen toe kunnen trekken. Draag geen losse kledij of juwelen. Houd uw haar, kledij en handschoenen weg van de bewegende onderdelen.** Losse kledij, juwelen of lang haar kan in bewegende onderdelen verstrikt raken.
 - **Als er apparaten worden geleverd voor de verbinding met een stofextractie en verzamelfaciliteiten, zorgt u ervoor dat deze zijn verbonden en goed worden gebruikt.** Het gebruik van een stofverzamelaar vermindert stof-gerelateerde gevaren.
- GEBRUIK VAN EN ZORG VOOR UW ELEKTRISCH GE-REEDSCHAP**
- **Forceer het product niet. Gebruik het correcte werktuig voor uw toepassing.** Het juiste werktuig zal de taak beter en veiliger uitvoeren aan het tempo waarvoor het werd ontworpen.
 - **Gebruik het elektrisch werktuig niet als de schakelaar het niet kan in- of uitschakelen.** Een elektrisch werktuig dat niet met behulp van de schakelaar kan worden bediend, is gevaarlijk en moet worden gerepareerd.
 - **Trek de stekker uit de contactdoos en/of ontkoppel het accupack van het werktuig voor u de machine afstelt, accessoires vervangt of het werktuig opbergt.** Zulke preventieve veiligheidsmaatregelen kunnen het risico op ongewenst starten van de machine verminderen.
 - **Bewaar ongebruikt elektrisch gereedschap buiten het bereik van kinderen en niet-opgeleide personen die het gereedschap of deze gebruiksaanwijzingen**



niet kennen. Elektrisch gereedschap is gevaarlijk in de handen van niet-opgeleide gebruikers.

- **Onderhoud elektrisch gereedschap. Controleer op verkeerde aflijning of verstrikt raken van bewegende delen, defecten van onderdelen en alle andere situaties die de werking van het werktuig kunnen beïnvloeden. Indien beschadigd, laat u het elektrisch gereedschap repareren voor gebruik.** Veel ongevallen worden veroorzaakt door slecht onderhouden elektrische werktuigen.
- **Houd de zaagwerktuigen scherp en schoon.** Correct onderhouden zaagwerktuigen met scherpe randen zijn minder geneigd om verstrikt te raken en kunnen makkelijker worden bestuurd.
- **Gebruik het werktuig, de accessoires en werktuigonderdelen, etc. in overeenstemming met deze instructies en houd rekening met de bedrijfsomstandigheden en het uit te voeren werk.** Het gebruik van een elektrisch werktuig voor zaken die niet in het voorgeschreven gebruik zijn beschreven, kan leiden tot gevaarlijke situaties.

GEbruik EN ONDERHOUD VAN HET ACCU AANGEDREVEN WERKTUIG

- **Herlaad enkel met de oplader die door de fabrikant is gespecificeerd.** Een oplader die voor een type accupack is geschikt kan een brandgevaar betekenen wanneer het met een ander accupack wordt gebruikt.
- **Gebruik elektrisch gereedschap uitsluitend met de specifiek toegewezen accupacks.** Het gebruik van andere accupacks kan leiden tot risico's op letsels en brand.
- **Wanneer het accupack niet wordt gebruikt, moet u het weg houden van andere metalen objecten, zoals papierclips, munten, sleutels, spijkers, schroeven of andere kleine metalen voorwerpen die een verbinding kan maken van een terminal naar een andere.** De batterijterminals kortsluiten kan leiden tot brandwonden of brand.
- **In oneigenlijke omstandigheden, kan een vloeistof uit de accu lekken; vermijd contact hiermee. Als per ongeluk contact voorkomt, spoelt u met water. Als de vloeistof in contact komt met de ogen, dient u bijkomend medische hulp te raadplegen.** Vloeistof die uit de accu lekt, kan irritatie of brandwonden veroorzaken.

ONDERHOUD

- **Laat uw elektrisch gereedschap onderhouden door een gekwalificeerd onderhoudspersoon en gebruik hierbij uitsluitend identieke vervangonderdelen.** Dit zal ervoor zorgen dat de veiligheid van het werktuig wordt behouden.

SPECIFIEKE VEILIGHEIDSVoORSCHRIFTEN

⚠ WAARSCHUWING

Wanneer u het product gebruikt, moeten de veiligheidsregels worden opgevolgd. Voor uw eigen veiligheid en deze van omstanders, dient u deze instructies te lezen voor u het product gebruikt. Bewaar de instructies voor later gebruik.

⚠ WAARSCHUWING

Dit apparaat is niet geschikt voor gebruik door personen (met inbegrip van kinderen) met verminderde fysieke, zintuiglijke of mentale vermogens of gebrek aan ervaring of kennis, tenzij zij onder toezicht staan door een persoon die verantwoordelijk is voor hun veiligheid of voldoende instructie ontvingen omtrent het gebruik van het apparaat. Kinderen dienen onder toezicht te staan om ervoor te zorgen dat ze niet met het apparaat spelen.

- Stop de machine als iemand het werkgebied betreedt. Gebruik de machine nooit wanneer zich mensen, in het bijzonder kinderen, en dieren in de buurt bevinden. Als iemand naderbij komt, legt u het apparaat onmiddellijk stil.
- Vermijd dat de machine bij slecht weer wordt gebruikt, vooral als er een risico op bliksem bestaat.
- Gebruik het product bij daglicht of bij goed kunstmatig licht.
- Vermijd gebruik van de machine op nat gras.
- Ga altijd stevig op uw benen staan en reik niet te ver weg met uw arm.
- Ga niet achterwaarts wanneer u trimt.
- Stap altijd, loop nooit.
- Houd de trimmerkop onder uw taille.
- Maai niet oppervlakken anders dan gras.
- Gebruik het product nooit wanneer de beschermers beschadigd of niet gemonteerd zijn.
- Monteer nooit een metalen vervangingslijn.
- Hou handen en voeten steeds helemaal weg bij het inschakelen van de motor en tijdens het snijden.
- Inspecteer de plaats waar de machine zal worden gebruikt grondig en verwijder alle stenen, stokken, metaal, draad, beenderen, speelgoed en andere vreemde voorwerpen.
- Schakel de machine uit en ontkoppel deze van de stroombron voor:
 - onderhoud
 - trimmer onbeheerd achterlaten
 - trimmer reinigen
 - accessoires vervangen
 - controleer op schade nadat u een voorwerp hebt geraakt
 - controleer op schade als de trimmer abnormaal begint te trillen
 - onderhoud uitvoeren



- Draag gezichtsbescherming of een veiligheidsbril.
- Wees voorzichtig voor verwondingen van een toestel voor het bepalen van de filamentlijnlengte.

ONDERHOUD

- Gebruik uitsluitend originele vervangonderdelen en accessoires.
- Nadat u een nieuwe maailijn heeft geplaatst, dient u het product altijd terug in de normale bedrijfspositie te plaatsen voor u ze inschakelt.
- Reinig met een zachte, droge doek na elk gebruik.
- Controleer regelmatig of alle moeren, bouten en vijzen goed zijn vastgemaakt om zeker te zijn dat het product veilig kan worden gebruikt. Een beschadigd onderdeel moet door een geautoriseerd onderhoudscentrum goed worden gerepareerd of vervangen.
- Wanneer het product niet wordt gebruikt, dient deze op een koele, droge plaats, buiten het bereik van kinderen, te worden bewaard. Bewaar niet buitenshuis.

Controleer het apparaat nadat u het hebt laten vallen of bij impact

Controleer het apparaat grondig en ga alle defecten of schade na. Een beschadigd onderdeel moet door een geautoriseerd onderhoudscentrum goed worden gerepareerd of vervangen.

RESTRISICO'S

Er zijn meldingen dat trillingen van handwerktuigen bij sommige mensen bijdragen tot het Syndroom van Raynaud. Symptomen kunnen ondermeer tintelingen, gevoelloosheid en bleek worden van de vingers omvatten, wat normaal gezien duidelijk wordt bij blootstelling aan koude.

Erfelijke factoren, blootstelling aan koude en vocht, dieet, roken en werkroutine kunnen allemaal bijdragen tot de ontwikkeling van deze symptomen. Er kunnen door de bediener maatregelen worden genomen om de gevolgen van de trillingen te beperken:

- Houd bij koud weer uw lichaam warm. Draag handschoenen wanneer u de machine gebruikt om handen en polsen warm te houden. Men neemt aan dat koud weer een belangrijke factor is die bijdraagt tot het Syndroom van Raynaud.
- Doe oefeningen om de bloeddoorstroming te bevorderen na elke periode van gebruik.
- Neem regelmatig een pauze. Beperk het aantal uren dat u per dag wordt blootgesteld. Wanneer u enige van de symptomen van deze aandoening ervaart, stop dan onmiddellijk met het gebruik van het toestel en raadpleeg uw dokter

VOORGESCHREVEN GEBRUIK

Dit product is uitsluitend geschikt voor buitenshuis gebruik. Het product is uitsluitend ontworpen voor het maaien van gras of licht onkruid in private tuinen.

Grastrimmer

Het product is geschikt voor het maaien van lang gras, houterig onkruid, en gelijkaardige vegetatie op of rond het

grondniveau.

Graskantmaaimachine

Het product is bedoeld voor het maaien van rechte randen aan een gazon.

Het product mag niet worden gebruikt om heggen, struiken of andere begroeiing te snoeien of trimmen waar het maaiblad niet parallel is met de grond.

MILIEUBESCHERMING



Zorg dat grondstoffen gerecycleerd worden. Zet daarom een afgedankte elektrische machine niet bij het huishoudafval. Om het milieu te beschermen moeten de machine, de accessoires en de verpakking gesorteerd bij een erkend recyclingcentrum worden aangeleverd.

SYMBOLLEN



Waarschuwing



Voor een veilig gebruik, dient u alle instructies te lezen en te begrijpen voor u het product gebruikt.



Draag gehoorbescherming



Draag gezichtsbescherming



Vermijd gebruik van de machine in natte of vochtige omstandigheden.



Gevaar voor terugslag. Houd alle omstanders op een afstand van tenminste 15 m.



Houd rekening met weggeslingerde of rondvliegende voorwerpen. Hou omstanders op een veilige afstand van het toestel.



Gegarandeerd geluidsniveau



Elektrisch afval mag niet samen met ander huishoudafval worden weggegooid. Gelieve te recycleren indien de mogelijkheid bestaat. Neem contact op met uw lokaal bestuur of handelaar om advies te krijgen over recyclage.



EU-conformiteit



GOST-R-conformiteit

**AVISOS GERAIS DE SEGURANÇA****⚠ ADVERTÊNCIA**

Leia todos os avisos de segurança e todas as instruções. O facto de não seguir os avisos e as instruções pode conduzir a choque eléctrico, fogo e/ou lesão grave.

ConsERVE estas advertências e instruções para que possa consultá-las mais tarde.

O termo "ferramenta eléctrica" nos avisos refere-se à ferramenta operada através de ligação à rede eléctrica (com fios) ou à ferramenta operada através de bateria (sem fios).

AMBIENTE DE TRABALHO

- Mantenha a área de trabalho limpa e bem iluminada. As áreas desordenadas ou escuras são um convite para acidentes.
- Não opere ferramentas eléctricas em atmosferas explosivas, tais como na presença de líquidos inflamáveis, gases ou poeira. As ferramentas eléctricas criam faíscas que podem causar a inflamação de poeiras ou vapores.
- Ao operar esta ferramenta eléctrica, mantenha as crianças e as pessoas presentes afastadas. Distracções podem fazer com que perca o controlo.

SEGURANÇA ELÉCTRICA

- As fichas eléctricas da ferramenta têm de corresponder à tomada. Nunca altere a ficha seja de que maneira for. Não use quaisquer fichas adaptadoras com ferramentas de ligação com terra. As fichas não modificadas e tomadas compatíveis reduzirão o risco de choque eléctrico.
- Evite o contacto do corpo com superfícies com ligação terra ou enterradas, tais como tubos, radiadores, fogões e frigoríficos. Há um aumento do risco de choque eléctrico se o seu corpo estiver ligado à terra.
- Não o exponha à chuva ou a condições de humidade. A entrada de água na ferramenta eléctrica aumentará o risco de choque eléctrico.
- Não abuse do cabo de alimentação. Nunca use o cabo para carregar, puxar ou retirar a ficha da ferramenta da tomada. Mantenha o cabo afastado do calor, óleo, pontas afiadas ou peças móveis. Os cabos danificados ou emaranhados aumentam o risco de choque eléctrico.
- Ao operar uma ferramenta eléctrica ao ar livre, use um cabo de extensão apropriado para o uso ao ar livre. A utilização de um cabo apropriado para o uso ao ar livre reduz o risco de choque eléctrico.
- Se operar uma ferramenta eléctrica num local húmido é inevitável, use uma fonte com protecção de dispositivo de corrente residual (RCD). O uso de um RCD reduz o risco de choque eléctrico.

SEGURANÇA PESSOAL

- Ao operar esta ferramenta eléctrica, permaneça alerta, tenha em atenção ao que está a fazer e use o bom senso. Não utilize a ferramenta eléctrica quando se sentir cansado ou se se encontrar sob a influência de drogas, álcool ou medicamentos. Um momento de desatenção enquanto opera estas ferramentas eléctricas pode resultar em ferimentos graves.
- Utilize equipamento de protecção. Use sempre protecção para os olhos. O equipamento de protecção tal como a máscara contra pó, calçado antiderrapante de segurança, capacete, ou protecção para os ouvidos, usado para condições apropriadas irá reduzir a probabilidade de ferimentos.
- Evite o arranque involuntário. Assegure-se de que o interruptor se encontra na posição de desligado antes de o ligar à fonte de energia e/ou bateria, levantando ou transportando a ferramenta. Transportar ferramentas eléctricas com o seu dedo no interruptor ou ligar à corrente ferramentas eléctricas que têm o interruptor ligado são um convite a acidentes.
- Remova qualquer chave de ajuste antes de ligar a ferramenta eléctrica. Uma chave-inglesa ou uma chave colocada numa peça móvel da ferramenta eléctrica pode causar lesões pessoais.
- Não se aproxime em demasia. Fique sempre bem apoiado nas pernas e não estique demasiado o braço. Isto possibilita um melhor controlo da ferramenta eléctrica em situações inesperadas.

- Use roupas adequadas. Não use roupa larga ou acessórios de jóias. Mantenha o seu cabelo, roupa e luvas longe das peças móveis. A roupa larga, jóias ou cabelo comprido podem ficar presos nas peças móveis.

- Se são fornecidos os dispositivos para a ligação de espaços de extracção e recolha de pó, assegure-se de que estes se encontram conectados e usados correctamente. A utilização de um colector de pó pode reduzir os perigos relacionados com o pó.

UTILIZAÇÃO E MANUTENÇÃO DA FERRAMENTA ELÉCTRICA

- Não force o produto. Use a ferramenta eléctrica correcta para a sua aplicação. A ferramenta fará o seu trabalho melhor e de forma mais segura trabalhando ao ritmo para que foi concebida.
- Não use uma ferramenta caso o interruptor não ligue e desligue a ferramenta eléctrica correctamente. Qualquer ferramenta eléctrica que não possa ser controlada com o interruptor é perigosa e deve ser reparada.
- Desligue a ficha da alimentação eléctrica e/ou a bateria da ferramenta antes de proceder a quaisquer ajustes, substituição de acessórios ou de armazenar a ferramenta. Estas medidas de segurança preventivas reduzem o risco de arranque accidental da ferramenta eléctrica.
- Armazene as ferramentas eléctricas fora do alcance das crianças e não permita que pessoas não familiarizadas com a ferramenta eléctrica ou com



estas instruções utilizem a ferramenta eléctrica. As ferramentas eléctricas são perigosas nas mãos de utilizadores inexperientes.

- **Realize a manutenção das ferramentas eléctricas. Verifique se existe desalinhamento ou emperramento das peças móveis, ruptura das peças e qualquer outra condição que possa ter afectado o funcionamento da ferramenta eléctrica. Se danificado, mande a ferramenta eléctrica ser reparada antes de a utilizar.** Muitos acidentes são causados por ferramentas eléctricas com fracas manutenções.
- **Mantenha as ferramentas de corte afiadas e limpas.** É menos provável que as ferramentas de corte com uma correcta manutenção e com pontas de corte afiadas fiquem presas e são mais fáceis de controlar.
- **Utilize a ferramenta, acessórios, peças eléctricas, etc., de acordo com estas instruções, tendo em conta as condições de trabalho e o trabalho que se vai realizar.** O uso da ferramenta eléctrica para as operações diferentes daquelas a que se destina podem causar uma situação perigosa.

UTILIZAÇÃO E MANUTENÇÃO DA BATERIA

- **Recarregue apenas com o carregador especificado pelo fabricante.** Um carregador que seja adequado para um tipo de bateria pode causar risco de incêndio, quando utilizado com outra bateria.
- **Use ferramentas eléctricas somente com baterias especificamente concebidas.** O uso de qualquer outro tipo de bateria pode causar risco de lesões e incêndio.
- **Quando a bateria não estiver a ser utilizada, mantenha-a afastada de outros objectos metálicos como cliques de papel, moedas, chaves, pregos, parafusos, ou outros pequenos objectos metálicos que podem fazer a ligação de um terminal para outro.** Ligar os terminais da bateria em conjunto pode causar queimaduras ou um incêndio.
- **Sob circunstâncias abusivas, o líquido pode ser ejectado da bateria, evite o contacto. Se o contacto ocorrer acidentalmente, limpe com água abundante. Se o líquido entrar em contacto com os olhos, procure adicionalmente assistência médica.** O líquido ejectado da bateria pode causar irritação ou queimaduras.

MANUTENÇÃO

- **A manutenção da sua ferramenta eléctrica deve ser efectuada por uma pessoa qualificada para reparações, utilizando apenas peças de substituição idênticas.** Isto assegurará que a segurança da ferramenta eléctrica é mantida.

INSTRUÇÕES DE SEGURANÇA ESPECÍFICAS

⚠ ADVERTÊNCIA

Ao utilizar o produto, devem seguir-se as normas de segurança. Para a sua própria segurança e a dos que o rodeiam, leia estas instruções antes de utilizar o produto. Guarde as instruções para usá-las no futuro.

⚠ ADVERTÊNCIA

Este aparelho não foi feito para ser utilizado por pessoas (incluindo crianças) com reduzidas capacidades físicas, sensoriais ou mentais ou falta de experiência e conhecimento, a não ser que passem a ter supervisão ou instruções relativas à utilização do aparelho por uma pessoa responsável pela sua segurança. As crianças devem ser supervisionadas de modo a evitar que brinquem com o aparelho.

- Pare a máquina se alguém entrar na área. Nunca coloque a máquina a funcionar quando pessoas, especialmente crianças ou animais de estimação estão por perto. Caso seja abordado, pare a unidade de imediato.
- Evite utilizar a máquina com mau tempo, especialmente se existe o risco de trovoadas.
- Utilize o produto à luz do dia ou com uma luz artificial eficaz.
- Evite o uso em erva molhada.
- Fique sempre bem apoiado nas pernas e não estique demasiado o braço.
- Não caminhar para trás quando se está a cortar.
- Ande e nunca corra.
- Mantenha a cabeça da podadora abaixo do nível da cintura.
- Não cortar a erva em superfícies diferentes no solo.
- Não utilize o produto com as tampas danificadas ou sem tê-las colocado.
- Nunca encaixe uma linha de substituição de metal.
- Mantenha sempre as mãos e os pés afastados dos meios de corte, especialmente quando ligar o motor.
- Inspeccione cuidadosamente a área onde o cortador vai ser utilizado e retire todas as rochas, paus, metais, fios, ossos, brinquedos ou outros objectos estranhos.
- Desactivar e desligar do fornecimento eléctrico antes de:
 - manutenção
 - deixar a podadora sem vigilância
 - limpar a sua podadora
 - mudar acessórios
 - comprovar se há danos depois de bater num objecto
 - comprovar se há danos caso a podadora comece a vibrar de um modo anormal
 - realizar operações de manutenção
- Use óculos de protecção.



- Tenha cuidado contra lesões por parte de qualquer dispositivo instalado para aparar o comprimento da linha do filamento.

MANUTENÇÃO

- Utilize apenas peças e acessórios de substituição genuínos.
- Após ter estendido a nova linha do aparador, volte sempre a colocar o produto na sua posição normal de operação antes de a ligar.
- Limpar com um pano suave seco depois de cada uso.
- Verifique todas as porcas, pregos e parafusos com intervalos frequentes para confirmar a tensão apropriada e se certificar que o produto está em condições seguras de funcionamento. Qualquer peça danificada deve ser substituída ou reparada adequadamente por um centro de serviço autorizado.
- Quando não estão a ser utilizadas, o produto deve ser armazenado num local seco, fresco e fechado fora do alcance das crianças. Não armazenar ao ar livre.

Inspeção após quedas ou outros impactos

Inspeccione cuidadosamente o produto para identificar qualquer problema ou dano. Qualquer peça danificada deve ser substituída ou reparada adequadamente por um centro de serviço autorizado.

RISCOS RESIDUAIS:

Foi reportado que as vibrações das ferramentas de mão podem contribuir para uma doença designada de Síndrome de Raynaud em determinados indivíduos. Os sintomas podem incluir formigamento, entorpecimento e empalidezimento dos dedos, habitualmente visível aquando da exposição ao frio.

Estima-se que os factores hereditários, exposição ao frio e humidade, dieta, tabagismo e práticas de trabalho contribuem todos para o desenvolvimento destes sintomas. Existem medidas que podem ser tomadas pelo operador para possivelmente reduzir os efeitos da vibração:

- Mantenha o seu corpo quente durante o tempo frio. Ao operar a unidade, use luvas para manter as mãos e os pulsos quentes. Encontra-se reportado que o tempo frio é um grande factor que contribui para a Síndrome de Raynaud.
- Após cada período de operação, exercite para aumentar a circulação sanguínea.
- Faça pausas frequentes no trabalho. Limite o tempo de exposição por dia. Caso sinta algum dos sintomas desta doença, interrompa de imediato a sua utilização e consulte o seu médico sobre estes sintomas.

USO PREVISTO

Este produto destina-se exclusivamente a ser utilizado ao ar livre. O produto está desenhado para cortar erva e mato ligeiro só em áreas ajardinadas privadas.

Aparador de relva

Este produto destina-se a cortar erva alta, relva densa, e vegetação similar a ou perto do nível do chão.

Cortador de bordas

O aparelho destina-se a cortar bordas precisas em relvados.

O produto não deve ser usado para cortar ou aparar sebes, arbustos ou outra vegetação em que o aparelho de corte não fique paralelo à superfície do chão.

PROTECÇÃO DO AMBIENTE



Recicle os materiais em vez de pô-los directamente no lixo doméstico. Para proteger o ambiente, a ferramenta, os acessórios e as embalagens devem ser seleccionados.

SÍMBOLOS



Aviso



Para uma operação segura, leia e compreenda todas as instruções antes de usar o produto.



Use protecção para os ouvidos



Usar protecção para os olhos



Evite o uso em condições de humidade.



Risco de ressalto. Mantenha todos os espectadores a pelo menos 15 m de distância.



Tenha cuidado com os objectos voláteis ou lançados. Mantenha os espectadores a uma distância segura da máquina.



Nível de potência sonora garantido



Os aparelhos eléctricos antigos não devem ser eliminados juntamente com o lixo doméstico. Recicle onde existem instalações para o efeito. Verifique com as suas Autoridades Locais ou revendedor para obter informações sobre reciclagem.



Conformidade CE



Conformidade GOST-R



GENERELLE SIKKERHEDSADVARSLER

⚠ ADVARSEL

Alle sikkerhedsadvarsler og alle anvisninger skal læses. Manglende overholdelse af advarslerne og anvisningerne kan medføre elektrisk stød, brand og/eller alvorlige personskader.

Gem vejledningen med advarsler og anvisninger til senere opslag.

Med udtrykket "elværktøj" i advarslerne henvises til dit lysnet-drevne (via ledning) elværktøj eller batteridrevne (ledningsfri) elværktøj.

ARBEJDSOMGIVELSER

- Hold arbejdsområdet rent og godt oplyst. Rodede eller mørke områder inviterer til ulykker.
- Brug ikke elværktøjer i eksplosive omgivelser som fx i nærheden af brandbar væske, gas eller støv. Elværktøjer udløser gnister, som kan antænde støvet eller dampene.
- Der må ikke være børn og tilskuere i nærheden, når et elværktøj anvendes. Distractioner kan medføre, at du mister kontrollen.

ELEKTRISK SIKKERHED

- Elværktøjets elstik skal passe til elnetkontakten. Elstikket må aldrig modificeres på nogen som helst måde. Undlad brug af adapterstik til jordede (stelforbundne) elværktøjer. Umodificerede elstik og passende elnetkontakter reducerer faren for elektrisk stød.
- Undgå kropskontakt med jordede eller stelforbundne overflader som fx rør, radiatorer, komfurer og køleskabe. Der er forøget risiko for elektrisk stød, hvis din krop er forbundet med jord eller stel.
- Må ikke udsættes for regn eller bruges på fugtige steder. Hvis der trænger vand ind i et elværktøj, øges faren for elektrisk stød.
- Undlad at misbruge ledningen. Ledningen må aldrig bruges til at bære eller trække i elværktøjet eller til at trække stikket ud. Ledningen må ikke komme i nærheden af varme, olie, skarpe kanter eller bevægelige dele. Beskadigede eller sammenflettede ledninger øger faren for elektrisk stød.
- Når et elværktøj anvendes i det fri, skal der bruges en forlængerledning, der er egnet til udendørs brug. Brug af ledninger beregnet til udendørs brug reducerer faren for elektrisk stød.
- Hvis man er nødt til at bruge et elværktøj i fugtige omgivelser, skal strømforsyningen have en fejlstrømsafbryder (RCD-afbryder). Brug af fejlstrømsikring reducerer faren for elektrisk stød.

PERSONLIG SIKKERHED

- Når man bruger et elværktøj, skal man være agtpågivende, iagttage hvad man gør og bruge sund fornuft. Undlad at bruge et elværktøj, hvis

du er træt eller påvirket af narkotika, alkohol eller medikamenter. Et øjeblik uopmærksomhed under brug af motoriserede værktøjer kan medføre alvorlige personskader.

- Brug personlige værnemidler. Brug altid øjenværn. Værnemidler som fx støvmaske, skridfast sikkerhedsfodtøj, hjelm eller høreværn anvendt korrekt i forhold til de givne forhold reducerer faren for personskader.
- Forebyg utilsigtet start. Kontrollér, at kontakten er i pos. OFF (=slukket), inden værktøjet sluttes til strømkilde og/eller batteri, samles op eller bæres. At bære elværktøjer med fingeren på kontakten eller at slutte strøm til elværktøjer med tændt kontakt er at invitere til ulykker.
- Fjern evt. skruenøgler, inden der tændes for elværktøjet. En efterladt skruenøgle fastgjort til en roterende del af elværktøjet kan medføre personskader.
- Overstræk ikke. Sørg for altid at have godt fodfæste og god balance. Dette giver bedre kontrol over elværktøjet i uventede situationer.
- Vær ordentligt klædt på. Bær ikke løftsiddende tøj eller smykker. Sørg for, at hår, tøj og handsker ikke kommer i nærheden af bevægelige dele. Løstsiddende tøj, smykker eller langt hår kan hænge fast i bevægelige dele.
- Hvis der findes anordninger for tilslutning af støvudsugnings- og -opsamlingsudstyr, skal disse tilsluttes og anvendes korrekt. Brug af støvopsamling kan reducere støvrelaterede faremomenter.

BRUG OG PLEJE AF ELVÆRKTØJ

- Undlad at tvinge produktet. Brug elværktøjet til det tiltænkte anvendelsesformål. Det korrekte elværktøj klarer opgaven bedre og sikrere med den hastighed, det er designet til.
- Elværktøjet må ikke tages i brug, hvis TÆND/SLUK-kontakten ikke virker. Et elværktøj, der ikke kan kontrolleres med TÆND/SLUK-kontakten, er farligt og skal repareres.
- Inden udførelse af justeringer, udskiftning af tilbehør eller opbevaring af elværktøjer skal elstikket trækkes ud af elnetkontakten, og/eller batteriet skal tages ud af elværktøjet. Disse forebyggende sikkerhedsforanstaltninger reducerer faren for utilsigtet start af elværktøjet.
- Når elværktøjer ikke bruges, skal de opbevares utilgængeligt for børn; personer, som ikke er fortrolige med elværktøjet eller denne brugsanvisning, må ikke anvende elværktøjet. Elværktøjer er farlige i hænderne på ukyndige brugere.
- Elværktøjer skal vedligeholdes. Kontrollér, om der er forkert indjusterede eller forbundne bevægelige dele, afbrækkede dele samt andre tilstande, som kan påvirke elværktøjets funktionsmåde. Hvis der konstateres skader, skal elværktøjet repareres inden brug. Mange ulykker skyldes dårligt vedligeholdte elværktøjer.
- Skærende værktøjer skal holdes skarpe og rene. Korrekt vedligeholdte skærende værktøjer med skarpe skær er mindre tilbøjelige til at binde/blokere og er



lettere at kontrollere.

- **Brug elværktøjet, tilbehøret og værktøjs-bits osv. som foreskrevet i denne brugsanvisning, og tag højde for arbejdsforholdene og den aktuelle arbejdsopgave.** Brug af elværktøjet i strid med de tiltænkte anvendelsesformål kan medføre farlige situationer.

BRUG OG PLEJE AF BATTERIVÆRKTØJ

- **Opladning må kun finde sted med den af producenten foreskrevne oplader.** En oplader, der er beregnet til én type batteri, kan udgøre en brandrisiko, hvis den bruges til en anden batteritype.
- **Brug kun elværktøjer sammen med specifikt godkendte batterier.** Brug af andre batterityper kan medføre fare for personskade og brand.
- **Når batteriet ikke bruges, må det ikke opbevares sammen med metalgenstande som fx papirclips, mønter, nøgler, søm, skruer eller andre metalgenstande, som kan skabe forbindelse mellem batteriets poler.** Hvis batteriets poler kortsluttes, kan det forårsage forbrændinger eller ildebrand.
- **Hvis batteriet misbruges, kan der sprøjte væske ud af det; undgå kontakt med batterivæsken. Ved kontakt med batterivæsken skylles med vand. Hvis der kommer væske i øjnene, søges desuden læge.** Udsprøjtet batterivæske kan forårsage irritation eller forbrændinger.

VEDLIGEHOLDELSE

- **Sørg for, at elværktøjet serviceres af en kvalificeret reparatør, som kun benytter sig af originale reservedele.** Herved garanteres sikkerheden for elproduktet.

SPECIFIKKE SIKKERHEDSREGLER

⚠ ADVARSEL

Når produktet anvendes, skal sikkerhedsreglerne efterleves. Af hensyn til egen og andres sikkerhed skal man læse denne brugsanvisning, inden produktet anvendes. Disse sikkerhedsregler skal opbevares med henblik på senere brug.

⚠ ADVARSEL

Dette produkt er ikke beregnet til at blive brugt af personer (herunder børn) med nedsatte fysiske, sensoriske eller mentale evner, eller med manglende erfaring og viden, med mindre disse personer er blevet vejledt eller instrueret i brugen af produktet af en person, der er ansvarlig for disse personers sikkerhed. Børn bør holdes under opsyn, så man er sikker på, at de ikke leger med produktet.

- Stop maskinen, hvis uvedkommende kommer ind i området. Brug aldrig maskinen, når der er personer, især børn, eller dyr i nærheden. Hvis nogen henvender sig til dig, skal du straks standse produktet.

- Undgå at bruge maskinen i dårligt vejr, især hvis der er fare for lynnedslag.
- Anvend produktet i dagslys eller godt kunstigt lys.
- Undgå brug på vådt græs.
- Sørg for altid at have godt fodfæste og god balance.
- Undgå at gå baglæns under trimmearbejdet.
- Gå, løb aldrig.
- Hold trimmerhovedet under hofteniveau.
- Undgå at klippe på andre overflader end græs på jord.
- Brug aldrig produktet med beskadigede skærme eller uden påmonterede skærme.
- Anvend aldrig en metalsnor i enheden.
- Hold altid hænder og fødder væk fra skæredelene, dette især når motoren tændes.
- Inspicér omhyggeligt det område, hvor maskinen skal anvendes, og fjern alle sten, pinde, metaldele, ledninger, ben, legetøj eller andre fremmedlegemer.
- Produktet skal slukkes og afbrydes fra strømforsyningen inden:
 - servicering
 - at efterlade trimmeren uden opsyn
 - rengøring af trimmeren
 - Udskiftning af tilbehør
 - kontrol for evt. skader efter kollision med et objekt
 - kontrol for evt. skader, hvis trimmeren begynder at vibrere unormalt
 - udførelse af vedligeholdelsesarbejde
- Bær beskyttelsesbriller.
- Pas på ikke at komme til skade på evt. monteret udstyr til afkortning af filamentrædlængden.

VEDLIGEHOLDELSE

- Brug kun originale reservedele og tilbehør.
- Når man har monteret en ny tråd, skal produktet altid stilles tilbage i normal arbejdsposition, inden det tændes.
- Rengøres med en blød klud efter hver brug.
- Tjek ofte alle møtrikker, bolte og skruer om de sidder godt fast, og sørg for at produktet fungerer ordentligt. Enhver del, som bliver beskadiget, skal repareres ordentligt eller udskiftes på et autoriseret servicecenter.
- Når produktet ikke bruges, skal det opbevares på et køligt, tørt sted og låses inde utilgængeligt for børn. Må ikke opbevares udendørs.

Inspektion efter tab eller andre slagpåvirkninger

Produktet skal inspiceres grundigt, og evt. påvirkninger eller skader skal lokaliseres. Enhver del, som bliver beskadiget, skal repareres ordentligt eller udskiftes på et autoriseret servicecenter.

UUNDGÅELIGE RISICI

Der er rapporteret om, at vibrationer fra håndholdte værktøjer kan være medvirkende til en lidelse kaldet Raynauds syndrom hos visse personer. Symptomerne herpå kan være prikken, følelsesløshed og blegning af



fingrene, der normalt viser sig ved kuldepåvirkning.

Faktorer som arvelighed, udsættelse for kulde og fugt, kost, rygning og arbejdsvaner menes alle at medvirke til udviklingen af disse symptomer. Der findes forholdsregler, som operatøren kan træffe for at begrænse påvirkningen fra vibrationer:

- Hold kroppen varm i koldt vejr. Brug handsker, så hænder og vriste holdes varme under arbejdet. Der er rapporteret om, at koldt vejr er en væsentlig faktor til Raynauds syndrom.
- Motionér efter hver arbejdsperiode for at øge blodcirkulationen.
- Hold hyppige arbejdspauser. Begræns eksponeringen for vibrationer pr. dag. Hvis du mærker nogen af symptomerne på denne tilstand, skal du straks ophøre med arbejdet og søge læge.

TILTÆNKT ANVENDELSESFORMÅL

Dette produkt er kun beregnet til udendørs brug. Produktet er kun beregnet til klipning af græs og let ukrudt i private haveområder.

Trådtrimmer

Produktet er beregnet til klipning af langt græs, saftigt ukrudt, og lignende vegetation i eller ved jordniveau.

Kantrimmer

Produkterne er beregnet til at klippe fine kanter på græsplæner.

Produktet bør ikke bruges til klipning eller trimning af hække, buske eller anden vegetation, hvor klippeplanet ikke er parallelt med jordoverfladen.

MILJØBESKYTTELSE



Råmaterialerne skal genvindes og ikke bortkastes med almindeligt affald. Af hensyn til miljøet skal redskab, tilbehør og emballage sorteres.

SYMBOLER



Sikkerheds Varsel



Af hensyn til sikker betjening skal man læse og forstå alle anvisninger, inden produktet anvendes.



Benyt høreværn



Benyt øjenværn



Undgå brug af produktet i våde eller fugtige omgivelser.



Fare for rikochettering. Alle tilskuere skal være mindst 15 m værk.



Pas på udslyngede eller flyvende objekter.

Hold tilskuere i sikker afstand fra enheden.



Garanteret støjniveau



Elektriske affaldsprodukter bør ikke afskaffes sammen med husholdningsaffald. Genbrug venligst hvor faciliteterne tillader dette. Tjek med din lokale kommune eller forhandler for genbrugsråd.



CE Overensstemmelse



GOST-R Overensstemmelse

**ALLMÄNNA SÄKERHETSFORESKRIFTER****⚠ VARNING**

Läs alla säkerhetsvarningar och alla instruktioner. Om du inte följer varningarna och anvisningarna kan du orsaka elektrisk stöt, brand och allvarlig skada.

Spara dessa varningar och instruktioner för senare behov.

Termen "kraftverktyg" i varningarna hänvisar till ditt eldrivna (med sladd) verktyg eller ditt batteridrivna (utan sladd) verktyg.

ARBETSMILJÖ

- **Håll arbetsområdet rent och välupplyst.** Oordnade och mörka områden inbjuder till olyckor.
- **Använd inte kraftverktyg i explosiva atmosfärer, exempelvis i närheten av brännbara vätskor, gaser eller damm.** Kraftverktyg ger upphov till gnistor vilka kan antända damm eller ångor.
- **Håll barn och åskådare borta när du använder ett kraftverktyg.** Distractioner kan få dig att tappa kontrollen.

ELECTRICAL SAFETY

- **Kraftverktygets kontakt måste matcha uttaget. Modifiera inte kontakten på något sätt. Använd inga adapterkontakter med jordade kraftverktyg.** Omodifierade kontakter och matchande uttag minskar risken för elektrisk stöt.
- **Undvik kroppskontakt med jordade ytor, som exempelvis rör, element, spis och kylskåp.** Det föreligger en förhöjd risk för elektrisk stöt om din kropp är jordad.
- **Utsätt inte för regn eller våta omgivningar.** Vatten som tränger in i ett kraftverktyg ökar risken för elektrisk stöt.
- **Misshandla inte sladden. Använd aldrig sladden för att bära, dra eller koppla bort kraftverktyget.** Håll sladden borta från värme, olja, vassa kanter och rörliga delar. Skadade eller intrasslade elsladdar ökar risken för elektrisk stöt.
- **Använd en förlängningssladd avsedd för utomhusbruk när du använder kraftverktyget utomhus.** Användning av en sladd lämplig för utomhusbruk minskar risken för elektrisk stöt.
- **Använd en jordfelsbrytare om det är oundvikligt att använda ett kraftverktyg i en fuktig miljö.** Användningen av en jordfelsbrytare minskar risken för elektrisk stöt.

PERSONLIG SÄKERHET

- **Var uppmärksam på vad du gör och använd sunt förnuft när du använder ett kraftverktyg. Använd inte ett kraftverktyg när du är trött eller påverkad av droger, alkohol eller mediciner.** Ett ögonblicks uppmärksamhet när du använder kraftverktyg kan orsaka allvarlig personskada.

- **Använd skyddsutrustning. Bär alltid ögonskydd.** Skyddsutrustning, som exempelvis andningskydd, halkskyddade säkerhetsskor, huvudskydd och hörselskydd minskar i tillämpliga fall risken för personskador.
- **Förhindra oavsiktlig start. Säkerställ att strömbrytaren är i av-läge innan du ansluter till uttaget och/eller batteripacket, innan du lyfter upp verktyget och innan du bär det.** Att bära kraftverktyg med fingret på avtryckaren eller kraftverktyg som är igång bjuder in olyckor.
- **Ta bort eventuella justerings- eller skiftnycklar innan du startar kraftverktyget.** En skiftnyckel eller justeringsnyckel som lämnas kvar i en roterande del av kraftverktyget kan orsaka personskada.
- **Sträck dig inte. Ha alltid ett bra fotfäste och en god balans.** Det ger dig bättre kontroll över kraftverktyget i oväntade situationer.
- **Klä dig korrekt. Använd inte löst åtsittande kläder eller smycken. Håll ditt hår, dina kläder och handskar borta från rörliga delar.** Lösliggande kläder, smycken och långt hår kan fastna i rörliga delar.
- **Om några uppsamlingsenheter för damm och avfall medföljer ska dessa vara anslutna och användas på ett korrekt sätt.** Användningen av en dammuppsamlare kan minska dammrelaterade faror.

ANVÄND OCH TA HAND OM KRAFTVERKTYGET

- **Tvinga inte produkten. Använd rätt kraftverktyg för ditt jobb.** Rätt kraftverktyg gör jobbet bättre och säkrare om det används i den takt som det är designat för.
- **Använd inte kraftverktyget om strömbrytaren inte fungerar för att stänga av och sätta på verktyget.** Alla kraftverktyg som inte kan kontrolleras med strömbrytaren är farliga och måste repareras.
- **Koppla bort kontakten från uttaget och/eller ta bort batteripacket från kraftverktyget innan du utför några justeringar, byter ut tillbehör eller förvarar kraftverktyget.** Sådana förebyggande åtgärder minskar risken för att kraftverktyget startar oavsiktligt.
- **Förvara avstängda kraftverktyg utom räckhåll för barn och låt inte personer som är obekanta med kraftverktyg, eller dessa instruktioner, använda kraftverktyget.** Kraftverktyg är farliga i händerna på otränade användare.
- **Underhåll dina kraftverktyg. Kontrollera så att inga rörliga delar är felinriktade eller sitter fast, att inga delar har gått sönder samt att ingenting annat föreligger som kan påverka kraftverktygets användning. Reparera kraftverktyget innan användning om det är skadat.** Många olyckor uppstår på grund av dåligt underhållna kraftverktyg.
- **Håll skärverktyg vassa och rena.** Korrekt underhållna skärverktyg med vassa skärkanter fastnar inte lika lätt och är lättare att kontrollera.
- **Använd kraftverktyget, tillbehören och borrspetsar etc. i enlighet med dessa anvisningar och ta hänsyn till arbetsförhållanden och det jobb som ska utföras.** Användning av kraftverktyget till andra saker än det är avsett för kan resultera i en farlig situation.



ANVÄNDNING OCH UNDERHÅLL AV BATTERIET

- Använd endast den batteriladdare som tillverkaren rekommenderar. En batteriladdare som passar en typ av batteripack kan vara en brandfara om den används med en annan typ av batteripack.
- Använd eldrivna verktyg med batteripaket som är speciellt utformade för användning tillsammans med produkterna. Om du använder andra batteripaket ökar du risken för skador och brand.
- När batteripaketet inte används ska det hållas bort från metallföremål som gem, mynt, nycklar, spikar, skruvar och andra små metallföremål som kan kortsluta batteriets kontakter. Vid kortslutning av batteriets kontakter finns det risk för brännskador eller brand.
- Vätska kan läcka ut från batteripaketet vid felaktig användning; undvik kontakt med vätskan. Spola med vatten om du kommer i kontakt med den. Uppsök omedelbart läkarhjälp om du får vätska i ögonen. Den kan orsaka irritation och brännskador.

UNDERHÅLL

- Låt en kvalificerad serviceperson serva ditt kraftverktyg med identiska utbytesdelar. Detta säkerställer att kraftverktygets säkerhet bibehålls.

SÄRSKILDA SÄKERHETSANVISNINGAR

⚠ VARNING

När man använder apparaten måste säkerhetsföreskrifterna följas För din egen, och andra närvarandes säkerhet, läs alltid dessa instruktioner innan du använder produkten Förvara instruktionerna på ett säkert ställe för användning vid senare tillfälle.

⚠ VARNING

Apparaten är inte avsedd att användas av personer (inklusive barn) med reducerad fysisk, själslig eller mental kapacitet, eller som saknar erfarenhet och kunskap, om de inte får övervakning eller instruktioner beträffande användningen av apparaten av någon som ansvarar för deras säkerhet. Barn ska övervakas så att de inte leker med enheten.

- Stäng av apparaten om någon kommer in i området. Använd aldrig maskinen i närheten av människor, speciellt barn, eller husdjur. Om någon närmar sig ska du stänga av enheten omedelbart.
- Undvik att använda maskinen i dåligt väder, speciellt om det finns risk för åska.
- Använd produkten i dagsljus eller bra konstgjort ljus.
- Undvik användning på vått gräs.
- Ha alltid ett bra fotfäste och en god balans.
- Gå inte baklänges när du använder trimmern.
- Gå. Spring aldrig.
- Trimmerns huvud skall hållas under midjehöjd.

- Klipp inte på annat underlag än gräs på marken.
- Använd aldrig produkten med skadade skydd eller utan skydd.
- Montera aldrig en utbyteslina av metall.
- Håll alltid händer och fötter borta från trimmerdelarna, speciellt under motorstart.
- Inspektera noggrant arbetsområdet där maskinen ska användas och ta bort alla stenar, pinnar, metallföremål, strängar, ben, leksaker eller andra främmande föremål.
- Stäng av och koppla ur väggkontakten innan:
 - service
 - att lämna trimmern utan tillsyn
 - rengöring av trimmern
 - byte av tillbehör
 - efter att ha slagit i något skall man kontrollera ev. skador
 - kontrollera ev. skador om trimmern börjar vibrera onormalt
 - Underhåll
- Bär skyddsglasögon.
- Var försiktig så att du inte skadar dig på verktyg som är avsett för klippning av trimmerlinan.

UNDERHÅLL

- Använd enbart godkända ersättningsdelar och tillbehör.
- Efter att ha satt på en ny klipptråd skall produkten alltid återställas till normalt arbetsläge innan den sätts på.
- Efter varje användning, rengör med en mjuk torr duk.
- För att vara säker på att produkten är säker att använda, kontrollera alla muttrar, bultar och skruvar regelbundet för att säkerställa att de är åtdragna ordentligt. Skadade delar skall repareras ordentligt eller bytas ut av en auktoriserad servicefirma.
- När den inte används ska produkten förvaras på ett svalt, torrt ställe och bakom lås, samt utom räckhåll för barn. Förvara den inte utomhus.

Inspektion efter att produkten tappats eller utsatts för stötar

Kontrollera produkten noggrant för att identifiera eventuella skador på den. Skadade delar skall repareras ordentligt eller bytas ut av en auktoriserad servicefirma.

KVARSTÅENDE RISKER

Det finns rapporter om att vibrationer från handhållna verktyg kan bidra till ett tillstånd som kallas Raynauds syndrom för vissa personer. Symptomen brukar vara att det sticker i fingrarna och att de domnar bort; fingrarna kan också bli vita, särskilt vid kyla.

Årftliga faktorer, kyla och fukt, diet, rökning och arbetsrutiner tros alla bidra till att orsaka dessa symptom. Det finns förebyggande åtgärder som du kan vidta för att försöka minska vibrationernas påverkan:

- Håll dig varm när du arbetar i kallt väder. Använd handskar för att hålla kvar värmen i händer och handleder. Kyla har rapporterats som en viktig del i utvecklandet av Raynauds syndrom.



- Träna och rör på dig efter varje användningstillfälle för att öka blodcirkulationen.
- Ta ofta pauser från arbetet. Begränsa tiden du utsätter dig varje dag. Upphör omedelbart om du upplever några av dessa symptom och uppsök din läkare.

ANVÄNDNINGSMÅL

Denna produkt är avsedd för utomhusbruk. Produkten är endast konstruerad för att klippa gräs och lättare ogräs i privata trädgårdar.

Grästrimmer

Apparaten är avsedd för skärning av långt gräs, mjukt ogräs, och liknande vegetation på eller nära marknivån.

Kantrimmare

Produkten är avsedd för trimning av gräskanter.

Produkten ska inte användas för att kapa eller trimma häckar, buskar eller annan vegetation där skärplanet inte är parallellt med marknivån.

MILJÖSKYDD



Råmaterialen bör återanvändas i stället för att kastas i hushållsavfallet. För att skona miljön ska verktyget, tillbehören och emballagen sorteras.

SYMBOLER



Säkerhetsvarning



För din egen säkerhet: läs och förstå alla instruktioner innan produkten används.



Bär hörselskydd



Bär ögonskydd



Undvik användning i våta eller fuktiga förhållanden.



Risk för rikoschett. Håll alla närvarande på minst 15 meters avstånd.



Se upp med kringkastade eller flygande föremål. Håll åskådare på säkert avstånd från maskinen.



Garanterad ljudeffektsnivå



Gamla elektroniska produkter ska inte kastas med hushållssoporna. Återvinn där sådana faciliteter finns. Kontrollera med din lokala myndighet eller säljaren för att få återvinningstips.



CE-konformitet



GOST-R-konformitet

**YLEISET TURVALLISUUSVAROITUKSET****VAROITUS**

Lue kaikki turvallisuusvaroitukset ja ohjeet. Varoitusten ja ohjeiden laiminlyönnistä voi seurata sähköisku, tulipalo ja/tai vakava loukkaantuminen.

Säilytä nämä varoitukset ja ohjeet myöhempää tarvetta varten.

Sana "sähkötyökalu" viittaa varoituksissa verkkovirta- (langalliseen) tai akkukäyttöiseen (langattomaan) sähkötyökaluun.

TYÖYMPÄRISTÖ

- Pidä työalue siistinä ja valoisana. Epäjärjestyksessä olevat ja pimeät alueet myötävaikuttavat onnettomuuksiin.
- Älä käytä sähkötyökalua räjähdysalttiissa paikoissa, kuten helposti syttyvien nesteiden tai kaasujen tai pölyn läheisyydessä. Sähkötyökalut kipinöivät, mikä saattaa sytyttää pölyn tai höyryt.
- Pidä lapset ja sivulliset loitolla, kun käytät sähkötyökaluja. Häiriöt voivat saada koneen riistäytymään hallinnasta.

SÄHKÖTURVALLISUUS

- Pistokkeen on sovittava pistorasiaan. Älä koskaan muunna pistoketta millään tavalla. Älä käytä maadoitettujen sähkötyökalujen kanssa minkäänlaisia sovitinpistokkeita. Alkuperäiset pistokkeet ja niitä vastaavat pistorasiat pienentävät sähköiskun vaaraa.
- Älä kosketa maadoitettuihin pintoihin, kuten putkiin, lämpöpattereihin, helioihin tai jääkaappeihin. Jos ruumiisi on maadoitettu, sähköiskun vaara on suurempi.
- Älä altista konetta sateelle tai kosteudelle. Sähkötyökaluun joutunut vesi kasvattaa sähköiskun vaaraa.
- Pidä huolta sähköjohdosta. Älä koskaan kannata vedä sähkötyökalua johdosta tai irrota pistoketta johdosta vetämällä. Pidä johto etäällä kuumista paikoista, öljyistä, terävistä kulmista ja liikkuvista osista. Vioittunut tai takkuinen johto lisää sähköiskun vaaraa.
- Kun käytät sähkötyökalua ulkotiloissa, käytä ulkokäyttöön sopivaa jatkojohtoa. Ulkokäyttöön sopivan johdon käyttö pienentää sähköiskun vaaraa.
- Jos sähkötyökalua on pakko käyttää kosteissa tiloissa, käytä jäännösvirtalaitteella (RCD) suojattua pistorasiaa. RCD:n käyttö pienentää sähköiskun vaaraa.

KÄYTTÄJÄN TURVALLISUUS

- Ole valpas, katso mitä teet ja käytä maalisjärkeä, kun käytät sähkötyökalua. Älä käytä sähkötyökalua väsyneenä tai huumeiden, alkoholin tai lääkkeiden vaikutuksen alaisena. Tarkkaamattomuus sähkötyökalua käytettäessä saattaa johtaa vakavaan

loukkaantumiseen.

- Käytä henkilökohtaisia suojavarusteita. Käytä aina suojalaseja. Suojalaitteet, kuten pölynaamari, luistamattomat suojakengät, kypärä ja kuulosuojaimet vähentävät loukkaantumisen vaaraa.
- Älä anna koneen käynnistyä vahingossa. Varmista, että katkaisin on poissa päältä, ennen kuin kytket koneen virtalähteeseen ja/tai akkuun ja ennen kuin nostat tai kannat konetta. Sähkötyökalun kantaminen sormi katkaisimella ja virran kytkeminen koneeseen, joka on päällä, saattaa johtaa onnettomuuksiin.
- Irrota säätöavaimet ja jakoavaimet ennen sähkötyökalun käynnistystä. Sähkötyökalun pyörivään osaan jätetty jako- tai säätöavain saattaa johtaa loukkaantumiseen.
- Älä kurkota liian pitkälle. Pysytele tukevasti jaloillasi äläkä kurkota käsivartta liian kauas. Tällöin sähkötyökalua on helpompi hallita odottamattomissa tilanteissa.
- Älä pukeudu väliin vaatteisiin, kravattiin tai koruihin, jotka voivat juuttua liikkuviin osiin. Älä käytä välijä vaatteita tai koruja. Pidä hiukset, vaatteet ja käsinet etäällä liikkuvista osista. Löysät vaatteet, korut ja pitkät hiukset saattavat tarttua liikkuviin osiin.
- Jos laitetta varten on pölynpoisto- ja keräyslaite, kytke se asianmukaisesti ja käytä sitä oikein. Pölyn kerääminen voi vähentää pölyyn liittyviä vaaroja.

SÄHKÖTYÖKALUN KÄYTTÖ JA HUOLTO

- Älä pakota tuotetta. Käytä työhön sopivaa sähkötyökalua. Asianmukainen sähkötyökalu hoitaa työt paremmin ja turvallisemmin sillä vauhdilla, jota varten se on suunniteltu.
- Älä käytä sähkötyökalua, jos se ei käynnisty ja sammu katkaisimesta. Jos sähkötyökalua ei voida hallita katkaisimella, se on vaarallinen ja vaatii korjaamista.
- Irrota pistoke virranlähteestä ja/tai akku työkoneesta, ennen kuin teet säätöjä, vaihdat varusteita tai varastoit koneen. Tällaiset varoitimet pienentävät sitä vaaraa, että kone käynnistyy vahingossa.
- Varastoi sähkötyökalu pois lasten ulottuvilta äläkä anna kenenkään, joka ei tunne työkonetta tai näitä ohjeita, käyttää sitä. Sähkötyökalut ovat vaarallisia kouluttamattomien käyttäjien käsissä.
- Huolla sähkötyökalut. Tarkista, että liikkuvat osat on kohdistettu oikein ja että ne liikkuvat kunnolla, että osia ei ole rikkoutunut ja että mikään muu seikka ei haittaa sähkötyökalun toimintaa. Jos sähkötyökalu vioittuu, korjaa se ennen käyttöä. Onnettomuudet johtuvat usein sähkötyökalujen huonosta huollosta.
- Pidä leikkuutyökalut terävinä ja puhtaina. Asianmukaisesti huolletut leikkuutyökalut, joiden leikkuupinnat ovat teräviä, eivät jumiuudu helposti ja niitä on helppo hallita.
- Käytä työkonetta, lisävarusteita, teriä jne. näiden ohjeiden mukaisesti, ja huomioi työolosuhteet ja tehtävän työn laatu. Työkoneen käyttö muuhun kuin sille tarkoitettuun työhön voi aiheuttaa vaarallisia



tilanteita.

AKKUKÄYTTÖISEN TYÖKALUN KÄYTTÖ JA HOITO

- Käytä lataukseen ainoastaan valmistajan suosittelemaa laturia. Yhden tyyppiselle akulle sopivan laturin käyttö toisenlaisen akun kanssa voi olla vaarallista.
- Käytä sähkötyökäluä ainoastaan sitä varten suunniteltujen akkujen kanssa. Muiden akkujen käyttö voi johtaa loukkaantumiseen ja tulipaloon.
- Kun akkua ei käytetä, pidä se erillään metalliesineistä, kuten paperiliittimistä, kolikoista, avaimista, nauloista, ruuveista ja muista pienistä metalliesineistä, jotka voivat yhdistää akun navat. Akun napojen oikosulkeminen voi aiheuttaa palovammoja ja tulipalon.
- Jos akkua käsitellään väärin, siitä voi vuotaa nestettä; älä kosketa sitä. Jos kosketat sitä vahingossa, huuhtelee se vedellä. Jos nestettä pääsee silmiin, hakeudu lisäksi lääkärin hoitoon. Akusta vuotanut neste voi ärsyttää ihoa ja aiheuttaa palovammoja.

HUOLTO

- Huollata työkonetta pätevällä huoltomiehellä, joka käyttää ainoastaan asianmukaisia varaosia. Tämä varmistaa, että sähkötyökälu on turvallinen.

ERITYISET TURVALLISUUSMÄÄRÄYKSET

VAROITUS

Noudata turvallisuussääntöjä tuotetta käyttäessäsi. Oman ja sivullisten turvallisuuden vuoksi, lue nämä ohjeet ennen tuotteen käynnistämistä. Säilytä ohjeet tulevaa käyttöä varten.

VAROITUS

Tätä laitetta ei ole tarkoitettu ihmisille (sekä lapsille), joiden ruumiin, aistien tai mielen suorituskyky on heikentynyt tai joilta puuttuu kokemusta ja yleistietämystä, ellei heidän turvallisuudestaan vastuussa oleva valvo tai neuvo heitä laitteen käytössä. Lapsia on pidettävä silmällä, jotta he eivät pääse leikkimään lisälaitteilla.

- Sammuta laite, jos alueelle tulee ketään. Älä koskaan käytä laitetta, jos lähistöllä on ihmisiä, erityisesti lapsia, tai lemmikkejä. Jos sinua lähestytään, sammuta laite heti.
- Älä käytä laitetta huonolla ilmalla, erityisesti ukkosella.
- Käytä tuotetta päivänvalossa tai hyvässä keinovalossa.
- Vältä käyttöä märällä ruoholla.
- Pysytkte tukevasti jaloillasi äläkä kurkota käsivartta liian kauas.
- Älä kävele takaperin trimmeriä käyttäessäsi.
- Kävele, älä koskaan juokse.

- Pidä trimmerin pää vyötärön alapuolella.
- Älä leikkaa muilla pinnoilla kuin ruohoisella maalla.
- Älä koskaan käytä tuotetta, jos sen suojuukset ovat vioituneita tai puuttuvat.
- Älä koskaan asenna metallista varasiimaa.
- Pidä kädet ja jalat hyvin kaukana terästä koko ajan, varsinkin konetta käynnistäessä.
- Tarkista huolella alue, jolla laitetta käytetään, ja poista kaikki kivet, tikut, metallikappaleet, johdot, luut, lelut ja muut vierasesineet.
- Sammuta laite ja irrota se virtalähteestä ennen seuraavia toimintoja:
 - huolto
 - trimmerin jättäminen valvomatta
 - trimmerin puhdistaminen
 - lisävarusteiden vaihtaminen
 - vaurioiden tarkistaminen esineeseen osumisen jälkeen
 - vaurioiden tarkistaminen, jos trimmeri alkaa täristä epänormaalisti
 - huolto
- Käytä suojalaseja.
- Varo, että et loukkaannu siiman leikkauslaitteessa.

HUOLTO

- Käytä ainoastaan alkuperäisiä lisävarusteita ja varaosia.
- Kun pidennät siimaa, palauta tuote aina normaaliin käyttöasentoon ennen sen käynnistystä.
- Puhdista aina käytön jälkeen pehmeällä ja kuivalla liinalla.
- Varmista aina, että ruuvit ja mutterit ovat tiukasti kiinni, jotta tuote olisi aina turvallinen ja käyttövalmis. Valtuutetun huoltopisteen on korjattava tai vaihdettava vioittuneet osat asianmukaisesti.
- Käyttämättömän tuotteen tulee olla varastoitu viileään, kuivaan paikkaan ja pois lasten ulottuvilta. Älä säilytä ulkona.

Tarkastaminen pudottamisen ja muiden iskujen jälkeen

Tarkista tuote huolella ja paikanna kaikki vauriot ja viat. Valtuutetun huoltopisteen on korjattava tai vaihdettava vioittuneet osat asianmukaisesti.

KÄYTTÖÖN LIITTYVÄT RISKIT

Raporttien mukaan käsikäyttöisten laitteiden tärinä voi joidenkin kohdalla myötävaikuttaa Raynaud's Syndromen (Raynauodin oikeen) ilmenemiseen. Oireita ovat pistely, turtuus ja sormien kalpeneminen, yleensä kylmässä ilmassa.

Perinnölliset tekijät, kylmyys ja kosteus, ruokavalio, tupakointi sekä työtavat voivat kaikki myötävaikuttaa näiden oireiden ilmenemiseen. Käyttäjät voi ehkäistä tärinän aiheuttamia vaikutuksia seuraavasti:

- Pidä itsesi lämpimänä kylmällä säällä. Käytä laitteen käytön aikana käsineitä, jotta kätesi ja ranteesi pysyvät lämpöisinä. Raporttien mukaan kylmä ilma on tärkeä



tekijä Raynaud's Syndromen (Raunaudin oireiden) ilmenemisessä.

- Harjoita kunkin käyttöjakson jälkeen liikuntaa, jotta verenkierto lisääntyy.
- Pidä työn aikana säännöllisesti taukoja. Rajoita päivittäisen tärinän määrä. Jos mitään yllä mainittuja oireita ilmenee, lopeta heti laitteen käyttö ja kerro oireista lääkärille.

KÄYTTÖTARKOITUS

Tämä tuote on tarkoitettu yksinomaan ulkokäyttöön. Tuote on suunniteltu ainoastaan ruohon ja ohuiden rikkaruohojen leikkaamiseen yksityispuutarhoissa.

Siimaleikkuri

Laitte on tarkoitettu pitkän ruohon, pehmeiden rikkaruohojen tai vastaavien kasvien leikkaamiseen maanpinnan tasolta.

Reunustrimmeri

Tuote on tarkoitettu siistin reunusten leikkaamiseen nurmikoille.

Laitetta ei saa käyttää pensasaitojen, pensaikkojen tai muun kasvillisuuden leikkaukseen eikä trimmaukseen, jos leikkuutaso ei ole maanpinnan suuntainen.

YMPÄRISTÖNSUOJELU



Älä heitä raaka-aineita kotitalousjätteisiin, vaan vie ne kierrätykseen. Ympäristönsuojelun kannalta työkalu, lisäva r usteet ja pakkausmateriaali on lajiteltava.



Taattu äänenteho



Käytöstä poistettavia sähkölaitteita ei pidä hävittää talousjätteiden mukana. Ne on mahdollisuuksien mukaan pantava kiertoon. Kierrätysohjeita antavat kunnan viranomaiset ja vähittäiskauppiat.



CE-vastaavuus



GOST-R-vastaavuus

SYMBOLIT



Varoitus



Jotta tuotteen käyttö olisi turvallista, lue ja ymmärrä kaikki ohjeet ennen sen käyttöä.



Käytä kuulosuojaimia



Käytä silmäsuojaimia



Älä käytä sitä märissä tai kosteissa olosuhteissa.



Kimmokevaara. Pidä kaikki sivulliset vähintään 15 m:n päässä.



Varo sinkoutuneita ja muita lentäviä esineitä. Pidä tarkkailijat turvallisessa etäisyydessä toimivasta koneesta.

**GENERELLE SIKKERHETSADVARSLER****⚠ ADVARSEL**

Les alle sikkerhetsadvarslene og alle instruksjonene. Å unnlate å følge advarslene og instruksjonene kan føre til elektrisk støt, brann og alvorlig personskade.

Ta vare på disse advarslene og instruksjonene for å se i dem senere.

Begrepet "elektrisk verktøy" i advarslene gjelder ditt elektriske verktøy koblet til strømmettet (med ledning) eller batteridrevet (uten ledning) elektrisk verktøy.

ARBEIDSGINGIVELSE

- **Hold arbeidsområdet rent, ryddig og godt opplyst.** Uryddige og dårlig opplyste områder fører lett til ulykker.
- **Ikke bruk elektrisk verktøy i eksplosive atmosfærer, som der det finnes brennbare væsker, gasser eller støv.** Elektrisk verktøy skaper gnister som kan antenne støv eller gasser.
- **Hold barn og andre på avstand når et elektrisk verktøy brukes.** Distraksjon kan føre til tap av kontroll.

ELEKTRISK SIKKERHET

- **Støpslet på det elektriske verktøyet må stemme med stikkkontakten.** Foreta aldri noen form for endringer av støpslet. Ikke bruk noen form for adapterstøpsel til jordet elektrisk verktøy. Umodifiserte støpsler og passende stikkontakter vil redusere risikoen for elektrisk støt.
- **Unngå kroppskontakt med jordede overflater, som vannrør, radiatorer, kokeapparater og kjøleaggregater.** Det er økt risiko for elektrisk støt dersom kroppen din har kontakt med jord.
- **Ikke utsette for regn eller fuktige forhold.** Vann som trenger inn i et elektrisk verktøy vil øke faren for elektrisk støt.
- **Ikke misbruk den elektriske ledningen.** Bruk aldri ledningen til å bære det elektriske verktøyet eller trekke støpslet ut av stikkkontakten. Hold ledningen vekk fra varme, olje, skarpe kanter eller bevegelige deler. Skadet eller sammenfloknet ledning øker risikoen for elektrisk støt.
- **Når du bruker det elektriske verktøyet utendørs, bruk en skjøteledning som er tilpasset utendørs bruk.** Bruk av ledning som er tilpasset utendørs bruk reduserer risikoen for elektrisk støt.
- **Dersom bruk av elektrisk verktøy i fuktige omgivelser ikke er til å unngå, bruk en strømkrets med sikring som er tilpasset verktøyet.** Bruk av strømkrets med sikring reduserer risikoen for elektrisk støt.

PERSONLIG SIKKERHET

- **Vær våken, se på hva du gjør og bruk fornuft når du arbeider med et elektrisk verktøy.** Ikke bruk elektrisk verktøy når du er sliten eller under påvirkning av narkotiske stoffer, alkohol eller medisiner som kan

påvirke din reaksjonsevne og/eller dømmekraft. Et øyeblikks uoppmerksomhet når elektrisk verktøy brukes kan føre til alvorlige personskade.

- **Bruk personlig verneutstyr.** Bruk alltid øyebeskyttelse. Verneutstyr som støvmasker, sklisikre vernesko, hjelm eller hørselsvern brukt i passende sammenhenger vil redusere risikoen for personskade.
- **Unngå utilsiktet start.** Sørg for at bryteren er i posisjon OFF før utstyret kobles til strømmettet og / eller batteripakken, plukkes opp eller bæres. Å bære det elektriske verktøyet med fingeren på startknappen eller koble strøm til et elektrisk verktøy med bryteren i ON inviterer til ulykker.
- **Fjern justeringsnøkler og annet verktøy før du setter strøm på det elektriske verktøyet.** En fastnøkkel eller annet verktøy festet til en roterende del av et elektrisk verktøy når det startes kan føre til personskade.
- **Ikke len deg for langt.** Sørg for godt fotfeste og god balanse til enhver tid. Dette gir bedre kontroll over det elektriske verktøyet i en uventet situasjon.
- **Kle deg riktig.** Ikke bruk løstsittende plagg og/eller løsthengende smykker. Hold hår, klær og hansker vekke fra bevegelige deler. Løse plagg, smykker og langt hår kan fanges opp av bevegelige deler.
- **Hvis det finnes tilkoblingsmuligheter for oppsugnings- og oppsamlingsutstyr for støv, sørg for at dette blir tilkoblet og brukt på riktig måte.** Bruk av støvoppsamler kan redusere støvrelatert faresituasjoner.

BRUK OG BEHANDLING AV ELEKTRISK VERKTØY

- **Ikke press maskinen.** Bruk korrekt elektrisk verktøy for jobben som skal gjøres. Riktig elektrisk verktøy vil gjøre jobben bedre og tryggere når det brukes slik det var tiltenkt.
- **Ikke bruk verktøyet hvis bryteren ikke slår verktøyet av og på.** Ethvert elektrisk verktøy som ikke kan kontrolleres med bryteren er farlig og må repareres før det kan brukes.
- **Trekk støpslet ut av den elektriske kontakten og/eller batteripakken fra det elektriske verktøyet før du foretar endringer, skifter tilbehør eller lagrer det elektriske verktøyet.** Slike forebyggende sikkerhetstiltak reduserer risikoen for utilsiktet start av det elektriske verktøyet.
- **Oppbevar elektrisk verktøy som ikke brukes utenfor barns rekkevidde og la ikke personer som ikke er kjent med det elektriske verktøyet eller dets instruksjoner bruke det.** Elektrisk verktøy er farlig i hendene på uerfarne brukere.
- **Vedlikehold av elektrisk verktøy.** Kontroller for feilinnretting og at bevegelige deler løper fritt, at det ikke finnes ødelagte deler og enhver annen tilstand som kan påvirke det elektriske verktøyet drift. Hvis skadet må det elektriske verktøyet repareres før bruk. Mange ulykker skyldes dårlig vedlikeholdt elektrisk verktøy.
- **Hold skjæredeskaper skarpe og rene.** Korrekt vedlikeholdt skjæreverktøy med skarpe skjærekanter har mindre mulighet for å blokkere seg og er lettere å kontrollere.



- **Bruk det elektriske verktøyet, tilbehøret, verktøybits etc i henhold til disse instruksjonene, der du tar hensyn til arbeidsforholdene og det arbeidet som skal utføres.** Bruk av elektrisk verktøy på en måte det ikke var tiltenkt kan skape farlige situasjoner.

BATTERIPRODUKTER - BRUK OG STELL

- **Lad bare med ladere som er spesifisert av produsenten.** En lader som passer til en type batteripakke kan skape risiko for brann dersom den brukes til en annen type batteripakke.
- **Bruk patteriprodukter kun med spesielt tiltenkte batteripakker.** Bruk av andre batteripakker kan føre til risiko for skade og brann.
- **Når batteripakken ikke er i bruk, hold den vekk fra metallgjenstander som binders, mynter, nøkler, spiker, skruer og annet som kan forbinde de to terminalene med hverandre.** Kortslutning av batteriterminalene kan føre til brenning eller brann.
- **Dersom batteriet misbrukes kan det slippe ut væske, unngå hudkontakt med væsken. Hvis du får kontakt med væsken fra batteriet, skyll med rikelige mengder vann. Hvis væsken får kontakt med øynene må det søkes medisinsk hjelp.** Væske som kommer ut av batteriet kan føre til irritasjon eller brannsårr.

VEDLIKEHOLD

- **Sørg for at reparasjoner og vedlikehold av ditt elektriske verktøy utføres av kvalifiserte teknikere som kun bruker originale erstatningsdeler.** Dette vil sørge for at sikkerheten med det elektriske verktøyet ivaretas.

SPESIFIKKE SIKKERHETSREGLER

⚠ ADVARSEL

Når produktet brukes må sikkerhetsreglene følges. Les disse instruksjonene før du tar i bruk produktet for din egen sikkerhet og sikkerheten til personer som befinner seg i nærheten. Vennligst ta vare på instruksjonene for fremtidig bruk.

⚠ ADVARSEL

Dette utstyret er ikke ment for bruk av personer (inklusive barn) med redusert fysiske, sensoriske eller mentale evner eller mangel på erfaring og kunnskap, dersom de ikke får tilsyn eller er gitt instruksjon om bruken av en person som er ansvarlig for deres sikkerhet. Barn må passes på for å sikre at de ikke leker med utstyret.

- Stopp maskinen dersom noen går inn på området der maskinen brukes. Ikke bruk maskinen dersom andre personer - og spesielt barn - eller dyr er i nærheten. Hvis noen nærmer seg, slå øyeblikkelig av maskinen.
- Unngå å bruke maskinen i dårlig vær, spesielt dersom det er fare for lynnedslag.

- Bruk produktet i dagslys eller under godt kunstig lys.
- Unngå å bruke på vått gress.
- Sørg for godt fotfeste og god balanse til enhver tid.
- Ikke gå bakover når du klipper.
- Gå, du må aldri løpe mens du arbeider med maskinen.
- Hold klippehodet under hoftehode.
- Ikke klipp på overflater annet enn gress eller bakke.
- Bruk aldri produktet med ødelagt skjerming eller uten at skjermingen er montert.
- Du må ikke bruke metalltråd ved skifting av kuttetråd.
- Hold hender og føtter til enhver tid unna kutteenheten, spesielt når du skruer motoren på.
- Inspiser grundig området der gressklipperen skal brukes og fjern alle steiner, pinner, metallbiter, stråltråd, bein, leker og andre fremmedlegemer.
- Slå av og trekk ut støpslet fra den elektriske kontakten før:
 - det utføres servicearbeid
 - etterlater trimmeren uten tilsyn
 - rengjøring av trimmeren
 - skifte av tilbehør
 - se etter skader dersom verktøyet har truffet en gjenstand
 - se etter skader dersom verktøyet begynner å vibrere kraftig
 - gjennomfører vedlikehold
- Benytt vernebriller.
- Pass på at du ikke skades av utstyr som benyttes til å kutte lengden på skjæresnoren.

VEDLIKEHOLD

- Bruk bare originale Ryobi reservedeler og tilbehør.
- Etter å ha trukket ut ny skjæresnor returner alltid produktet til sin normale arbeidsposisjon før den slås på.
- Etter hver gangs bruk, rengjør med en myk klut.
- Kontroller all mutter, bolter og skruer med jevne mellomrom at de er skrudd fast for å sikre at produktet er i driftssikker stand. Enhver del som er skadet må repareres eller skiftes ut ved et autorisert serviceverksted.
- Når det ikke er i bruk må produktet oppbevares tørt og innelåst slik at det er utilgjengelig for barn. Ikke oppbevar utendørs.

Inspeksjon etter fall og andre former for støt

Foreta en grundig inspeksjon for å identifisere eventuelle skader eller påvirkning av funksjonaliteten. Enhver del som er skadet må repareres eller skiftes ut ved et autorisert serviceverksted.

GJENVÆRENDE RISIKO

Det foreligger rapporter om at vibrasjoner fra håndholdt verktøy for enkelte personer kan bidra til en tilstand som kalles Raynauds Syndrome. Symptomene kan omfatte følelsesløshet og gjøre fingrene bleke, vanligvis synlig ved



eksponering til lave temperaturer.

Arvelige faktorer, eksponering mot lave temperaturer og fuktighet, diett, røyking og arbeidspraksis blir alle ansett for å kunne bidra til å utvikle disse symptomene. Brukeren kan iverksette tiltak for mulig å redusere virkningene av vibrasjonene:

- Hold kroppen din varm i kaldt vær. Bruk hansker og hold hender og vrister varme ved bruk av gressklipperen. Det er rapportert at kaldt vær er en viktig faktor som bidrar til Raynauds Syndrome.
- Etter hver arbeidsperiode bør det utføres øvelser for å øke blodsirkulasjonen.
- Ta ofte pauser fra arbeidet som utføres. Begrens mengden av eksponering pr. dag. Hvis du opplever noen av symptomene på denne tilstanden må du øyeblikkelig avbryte arbeidet og oppsøke en lege med disse symptomene.

TILTENKT BRUK

Denne maskinen er kun ment for utendørs bruk. Produktet er konstruert for klipping av gress og lett ugress kun i private haveområder.

Trådtrimmer

Produktet er ment for klipping av langt gress, ugress, og lignende vegetasjon ved eller i nærheten av bakkenivå.

Kantklipper

Produktet er utformet for klipping nær kantene på gressplener.

Produktet må ikke brukes til klipping av hekker, busker eller annen vegetasjon der kniven ikke er parallell med bakken.

MILJØVERN



Resirkuler råmaterialer istedenfor å kaste dem i søppelen. Verktøyet, tilbehørene og emballasjen bør sorteres for miljøvennlig resirkulering.

SYMBOLER



Sikkerhetsalarm



For trygg bruk, les og forstå alle instruksjoner før du tar i bruk produktet.



Bruk hørselsvern



Bruk øyebeskyttelse



Unngå bruk under våte eller fuktige forhold.



Fare for rikosjettering. Hold andre mennesker på minst 15 meters avstand.



Vær oppmerksom på utkastede eller flygende gjenstander. Hold tilskuere på trygg avstand fra maskinen.



Garantert lydeffektnivå



Avfall fra elektriske produkter skal ikke kastes sammen med husholdningsavfall. Vennligst resirkulervedeksisterende avfallsbehandlingssted. Undersøk hos dine lokale myndigheter eller forhandler for råd om resirkulering.



CE samsvar



GOST-R samsvar



ОБЩИЕ ПРАВИЛА БЕЗОПАСНОСТИ

⚠ ОСТОРОЖНО

Прочтите все предупреждения и инструкции по технике безопасности. Несоблюдение приводимых ниже предупреждений и инструкций может привести к поражению электрическим током, возгоранию или тяжким телесным повреждениям.

Сохраните все предупреждения и инструкции по технике безопасности для последующего использования.

Термин "электроинструмент" в данном описании относится к инструментам с питанием от сети (проводные) и от аккумуляторных батарей (беспроводные).

БЕЗОПАСНОСТЬ НА РАБОЧЕМ МЕСТЕ

- Рабочая зона должна быть свободна и хорошо освещена. Загромождение или плохое освещение рабочей зоны может привести к несчастным случаям.
- Не используйте электроинструмент во взрывоопасной среде, например в присутствии легковоспламеняющихся жидкостей, газов или пыли. В электроинструментах происходит искрообразование, что может привести к воспламенению пыли или газа.
- Не допускайте присутствия детей и посторонних лиц при работе с инструментом. Невнимательность может привести к утрате контроля.

ЭЛЕКТРОБЕЗОПАСНОСТЬ

- Вилка кабеля питания инструмента должна соответствовать используемой розетке. Не подвергайте вилку кабеля каким-либо изменениям. Не используйте какие-либо переходники с электроинструментами с заземляющим проводом. Использование оригинальных штепсельных вилок и соответствующих розеток предотвращает опасность поражения электрическим током.
- Не допускайте контакта частей тела с поверхностями заземленных предметов, таких как трубы, радиаторы отопления, кухонные плиты, холодильники. При соприкосновении частей тела человека с заземленными участками возрастает опасность поражения электрическим током.
- Не подвергайте инструмент воздействию дождя и не используйте в условиях повышенной влажности. Попавшая внутрь инструмента вода повышает опасность поражения электрическим током.
- Обращайтесь с кабелем питания надлежащим образом. Не используйте кабель для переноски, перемещения или отключения инструмента от сети питания. Оберегайте кабель от источников тепла, масляных и острых предметов и

движущихся деталей. Поврежденные или запутанные провода повышают опасность поражения электрическим током.

- При работе с электроинструментом вне помещений пользуйтесь удлинительным кабелем, предназначенным для наружного применения. Использование кабеля, предназначенного для наружного применения, снижает опасность поражения электрическим током.
- Если нет возможности избежать работы в условиях повышенной влажности, подключайте инструмент через устройство защитного отключения. При использовании устройства защитного отключения снижается опасность поражения электрическим током.

ЛИЧНАЯ БЕЗОПАСНОСТЬ

- Соблюдайте осторожность, следите за своими действиями и пользуйтесь здравым смыслом при работе с электроинструментом. Не пользуйтесь инструментом в состоянии усталости или под воздействием наркотических средств, алкоголя или медицинских препаратов. Малейшая невнимательность при работе с инструментом может привести к тяжкому телесному повреждению.
- Используйте средства индивидуальной защиты. Всегда надевайте средства защиты зрения. Средства защиты, такие как пылезащитная маска, нескользящая защитная обувь, шлем-каска, средства защита органов слуха, используемые надлежащим образом, снижают опасность телесного повреждения.
- Не допускайте случайного запуска. Перед подключением к источнику питания или установкой аккумуляторной батареи, подъемом или перемещением инструмента убедитесь, что переключатель находится в положении «выключено». Во избежание несчастных случаев при перемещении инструмента не держите пальцы на переключателе инструмента и не подключайте его к источнику питания при включенном положении переключателя.
- Перед включением инструмента уберите все регулировочные и гаечные ключи. Гаечные или регулировочные ключи, оставленные на вращающихся частях инструмента, могут привести к телесному повреждению.
- Не перенапрягайте. Старайтесь сохранять устойчивость и подыскивайте твердую опору. Это обеспечивает лучшую управляемость электроинструментом в непредвиденных ситуациях.
- Одевайтесь соответствующим образом. Не надевайте свободную одежду и украшения. Не допускайте попадания волос, одежды и перчаток в движущиеся части. Свободная одежда, украшения и длинные волосы могут попасть в движущиеся части.
- Если в инструменте предусмотрено использование устройства удаления и сбора пыли, обеспечьте их надежное крепление и



надлежащее использование. Использование пылесборника снижает опасность, связанную с пылеобразованием.

ИСПОЛЬЗОВАНИЕ И ОБРАЩЕНИЕ С ИНСТРУМЕНТОМ

- Не прикладывайте чрезмерных усилий при работе с данным инструментом. В каждом случае используйте надлежащий электроинструмент. Правильно выбранный электроинструмент позволяет выполнить работу, для которой он предназначен, более качественно и более безопасно.
- Не пользуйтесь инструментом, если выключатель не включается или не выключается. Любой электроинструмент, не управляемый выключателем, представляет опасность и должен быть отремонтирован.
- Перед выполнением каких-либо регулировок, заменой приспособлений или хранением инструмента отключите вилку кабеля источника питания и/или аккумуляторной батареи от электроинструмента. Такие меры предосторожности помогут предотвратить опасность случайного пуска инструмента.
- Храните неиспользуемые электроинструменты в месте, недоступном для детей, а также не допускайте к использованию данного инструмента лиц, не знакомых с его работой или не ознакомленных с данными данными инструкциями. Инструмент в руках неподготовленного лица представляет опасность.
- Бережно обращайтесь с инструментом. Проверяйте инструмент на отсутствие перекосов или заклинивания движущихся частей, их неисправности или других причин, которые могут отразиться на работе инструмента. При повреждении инструмента перед его дальнейшим использованием его следует отремонтировать. Многие несчастные случаи вызваны ненадлежащим обращением с инструментом.
- Содержите режущее устройство в чистоте и заточенном виде. При надлежащем техническом обслуживании режущего инструмента снижается вероятность застревания режущих частей и облегчается управляемость.
- Используйте инструмент, принадлежности, насадки и т.п. в соответствии с данными указаниями, и принимая во внимание условия работы и выполняемую работу. Использование данного электроинструмента не по назначению может создать опасную ситуацию.

ЭКСПЛУАТАЦИЯ УСТРОЙСТВА С АККУМУЛЯТОРНЫМ ПИТАНИЕМ И УХОД ЗА НИМ

- Зарядку выполняйте только с использованием зарядного устройства, указанного изготовителем. Зарядное устройство, подходящее к одному типу аккумуляторных батарей, может создать опасность возгорания при использовании с аккумуляторными батареями другого типа.

- Используйте электрические устройства только со специально предназначенными для них аккумуляторными батареями. Использование аккумуляторных батарей другого типа может привести к телесным повреждениям или возгоранию.
- Если аккумуляторная батарея не используется, храните ее отдельно от других металлических предметов, например канцелярских скрепок, монет, ключей, гвоздей, винтов и других мелких металлических предметов, которые могут привести к замыканию контактов батареи. Замыкание контактов батареи может вызвать ожоги или привести к возгоранию.
- При ненормальных условиях из батареи может вытечь жидкость, избегайте контакта с ней. Если этого избежать не удалось, смойте жидкость водой. Если жидкость попала в глаза, после их промывания обратитесь за медицинской помощью. Жидкость, вытекающая из батареи, может вызвать раздражение или ожог.

ОБСЛУЖИВАНИЕ

- Техническое обслуживание и ремонт инструмента должно выполняться только квалифицированным специалистом с использованием взаимозаменяемых запасных частей. Это обеспечит нормальное техническое состояние устройства.

ОСОБЫЕ МЕРЫ ПРЕДОСТОРОЖНОСТИ

⚠ ОСТОРОЖНО

При использовании устройства необходимо соблюдать правила техники безопасности. В целях собственной безопасности и безопасности наблюдающих лиц перед использованием устройства прочитайте приведенные в данном руководстве инструкции. Сохраните данные инструкции для последующего использования.

⚠ ОСТОРОЖНО

Данное устройство не предназначено для использования лицами (включая детей) с ограниченными физическими или умственными способностями или недостаточным опытом и знаниями, если они не находятся под наблюдением или не прошли инструктаж по использованию данного устройства у лица, ответственного за их безопасность. Дети должны контролироваться, чтобы гарантировать, что они не играют с прибором.

- Остановите устройство, если кто-либо появится в рабочей зоне. Не работайте с устройством, если рядом присутствуют посторонние лица, особенно дети, а также домашние животные. В случае их появления сразу же выключите инструмент.
- Не используйте устройство в плохую погоду, особенно если существует опасность разрядов





молний.

- Используйте изделие при дневном свете или хорошем искусственном освещении.
- Не используйте устройство для стрижки влажной травы.
- Старайтесь сохранять устойчивость и подыскивайте твердую опору.
- Не рекомендуется пятиться во время работы с триммером.
- Передвигайтесь шагом, не бегайте.
- Не поднимайте головку триммера выше своего пояса.
- Не используйте устройство для подрезания ничего иного, кроме травы.
- Запрещается использовать изделие, если защитные устройства повреждены или вообще не установлены.
- Никогда не закрепляйте металлическую линию замены.
- Держите руки и ноги далеко от режущих средств во всех случаях и особенно при включении двигателя.
- Тщательно осмотрите участок, где предполагается использовать газонокосилку, и уберите все камни, палки, металлические части, проволоку, кости, игрушки и другие посторонние предметы.
- Перед выполнением следующих операций отключите устройство и отсоедините его от сети питания:
 - обслуживание
 - Оставление триммера без присмотра
 - Чистка триммера
 - Замена принадлежностей
 - Проверка на наличие повреждений после столкновения с предметами
 - Проверка на наличие повреждений, если триммер начнет необычно вибрировать
 - Выполнение технического обслуживания
- Надевайте защитные очки или защитные очки с боковыми щитками.
- Соблюдайте осторожность, чтобы не получить травму от какого-либо приспособления, установленного для подрезания по всей длине рабочей струны.

ТЕХНИЧЕСКОЕ ОБСЛУЖИВАНИЕ

- Используйте запасные части и принадлежности только от компании-производителя.
- После удлинения режущей струны установите изделие в обычное рабочее положение, прежде чем включить его.
- После каждого использования производите чистку мягкой сухой тканью.
- Проверить все болты, задвижки, и винты, через короткие интервалы, на надлежащую плотность, чтобы убедиться, что изделие находится в безопасном, рабочем состоянии. В случае повреждения какой-либо детали необходимо обратиться в авторизованный сервисный центр для

выполнения надлежащего ремонта или замены.

- Если изделие не используется, его необходимо хранить в сухом прохладном месте и запечатать, чтобы предотвратить доступ к нему детей. Не храните на открытом воздухе.

Осмотр после падения или других ударов

Внимательно осмотрите устройство на отсутствие повреждений и поломок. В случае повреждения какой-либо детали необходимо обратиться в авторизованный сервисный центр для выполнения надлежащего ремонта или замены.

БУДЬТЕ ВСЕГДА ОСТОРОЖНЫ

Считается, что вибрация ручного инструмента может привести к проявлению у отдельных лиц так называемой болезни Рейно (Raynaud's Syndrome). К симптомам могут относиться покалывание, онемение и побеление пальцев (как при переохлаждении).

Считают, что наследственные факторы, охлаждение и влажность, диета, курение и практический опыт способствуют развитию этих симптомов. Ниже приводятся меры, которые может принять оператор для снижения воздействия вибрации:

- Одевайтесь теплее в холодную погоду. При работе с устройством пользуйтесь перчатками, чтобы руки и запястья были в тепле. Считается, что холодная погода является основным фактором, способствующим возникновению болезни Рейно (Raynaud's Syndrome).
- После каждого этапа работы выполните упражнения для усиления кровообращения.
- Чаще делайте перерывы в работе. Сократите длительность ежедневного пребывания на открытом воздухе. При появлении каких-либо из указанных симптомов сразу же прекратите работу и обратитесь по их поводу к врачу.

НАЗНАЧЕНИЕ

Данное изделие предназначено только для работы вне помещений. Изделие предназначено для подрезания травы и небольших растений только на территории частных садов.

Триммер

Данное устройство предназначено для подрезки длинной травы, мягких сорняков, и подобных растений на уровне или чуть выше уровня земли.

Кромкообрезчик

Данное устройство предназначено для ровной стрижки травяных газонов.

Данное устройство не должно использоваться для обрезки или подравнивания живой изгороди, кустов или другой растительности, при работе с которой плоскость резания не параллельна поверхности земли.



**ЗАЩИТА ОКРУЖАЮЩЕЙ СРЕДЫ**

Не выбрасывайте сырье. Сдавайте его в переработку. Машина, аксессуары и упаковка должны быть отсортированы.

УСЛОВНЫЕ ОБОЗНАЧЕНИЯ

Внимание



Для обеспечения безопасной работы с данным изделием следует прочитать и запомнить все указания данного руководства.



Применяйте средства защиты органов слуха



Используйте средства защиты органов зрения



Не используйте устройство в сырых и влажных местах.



Опасность рикошета. Не подпускайте посторонних лиц ближе чем на 15 метров.



Помните об опасности, которую представляют собой отбрасываемые устройством или вылетающие из-под него предметы. Держите наблюдателей на безопасном расстоянии далеко от машины.



Гарантируемый уровень звуковой мощности



Отработанная электротехническая продукция должна уничтожаться вместе с бытовыми отходами. Утилизируйте, если имеется специальное техническое оборудование. По вопросам утилизации проконсультируйтесь с местным органом власти или предприятием розничной торговли.



Соответствие требованиям CE



Соответствие требованиям GOST-R

**OGÓLNE OSTRZEŻENIA DOTYCZĄCE****⚠ OSTRZEŻENIE**

Zapoznaj się ze wszystkimi zasadami bezpieczeństwa i instrukcjami. Niezastosowanie się do ostrzeżeń i instrukcji może spowodować porażenie prądem, pożar oraz/lub poważne obrażenia ciała.

Zachowajcie te ostrzeżenia i zalecenia, aby móc się do nich odnieść w późniejszym czasie.

Termin "elektronarzędzia" stosowany w przedstawionych tu zasadach bezpieczeństwa odnosi się zarówno do urządzeń zasilanych z sieci energetycznej (przewodowych) jak i urządzeń zasilanych z akumulatora (beprzewodowych).

OTOCZENIE ROBOCZE

- **Miejsce pracy musi być utrzymywane w czystości i dobrze oświetlone.** Obszary zaśmiecone lub niewystarczająco oświetlone mogą być przyczyną wypadku.
- **Nie wolno uruchamiać urządzeń elektrycznych w miejscach, gdzie grozi to wybuchem, na przykład w pobliżu łatwopalnych cieczy, gazów lub pyłów.** Urządzenia elektryczne mogą wytwarzać iskry, które mogą być przyczyną zapłonu pyłów lub oparów.
- **Podczas używania narzędzi elektrycznych należy utrzymywać osoby postronne i dzieci z dala od miejsca pracy.** Odwrócenie uwagi operatora może spowodować utratę kontroli nad urządzeniem.

ZASADY BEZPIECZEŃSTWA DOTYCZĄCE OBSŁUGI URZĄDZEŃ ELEKTRYCZNYCH

- **Wtyczki zasilania elektronarzędzi muszą pasować do gniazd sieciowych.** Nie wolno modyfikować wtyczek w żaden sposób. Nie wolno używać żadnych przejściówek do podłączania urządzeń posiadających przewód zasilania z uziemieniem. Stosowanie oryginalnych wtyczek i dopasowanych gniazd sieciowych zmniejsza ryzyko porażenia prądem.
- **Unikać kontaktu ciała z powierzchniami uziemionymi lub podłączonymi do bieguny zerowego, np. rury, instalacje grzewcze i chłodnicze.** Kontakt ciała z masą lub uziemieniem zwiększa ryzyko porażenia prądem.
- **Nie wystawiać urządzenia na działanie deszczu ani nie używać w miejscach o dużej wilgotności.** Przedostanie się wody do wnętrza elektronarzędzia zwiększa ryzyko porażenia prądem.
- **Nie uszkodzić przewodu zasilania.** Nie wolno używać przewodu zasilania do przenoszenia, ciągnięcia urządzenia lub jego odłączania z gniazda sieciowego. Przewody elektryczne trzymać z dala od źródeł ciepła, oleju, ostrych krawędzi lub ruchomych elementów. Uszkodzony lub zaplątany przewód elektryczny zwiększa ryzyko porażenia prądem.
- **W przypadku używania urządzenia na zewnątrz, ewentualne przedłużacze muszą być do tego**

przystosowane. Zastosowanie przedłużacza przystosowanego do warunków zewnętrznych zmniejsza ryzyko porażenia prądem.

- **Jeśli nie można uniknąć użytkowania urządzenia elektrycznego w warunkach wilgotnych, należy je zasilac z obwodu zabezpieczonego wyłącznikiem różnicowo-prądowym (RCD).** Zastosowanie takiego wyłącznika pozwala zmniejszyć ryzyko porażenia prądem elektrycznym.

BEZPIECZEŃSTWO OSOBISTE

- **Zachowywać skupienie, uważnie obserwować wykonywane czynności, stosować zasady zdrowego rozsądku podczas obsługi urządzenia.** Nie używać urządzeń elektrycznych w stanie zmęczenia lub będąc pod wpływem leków, alkoholu lub środków odurzających. Moment nieuwagi podczas obsługi elektronarzędzia może być przyczyną poważnego zranienia.
- **Stosować środki ochrony osobistej.** Zawsze nosić okulary ochronne. Stosowanie takich środków ochrony osobistej jak maska przeciwpyłowa, obuwie antypoślizgowe, twarde nakrycie głowy, nauszniki pozwoli zmniejszyć ryzyko zranienia.
- **Unikać możliwości przypadkowego uruchomienia urządzenia.** Przed podłączeniem do zasilania/założeniem akumulatora lub w celu jego podniesienia lub przeniesienia należy upewnić się, że wyłącznik zasilania znajduje się w położeniu wyłączonym. Przenoszenie elektronarzędzia z palcem na wyłączniku lub podłączenie zasilania do urządzenia, w którym wyłącznik znajduje się w położeniu włączonym grozi wypadkiem.
- **Usunąć wszelkie narzędzia i klucze przed włączeniem zasilania.** Uruchomienie elektronarzędzia z kluczem założonym na ruchomym elemencie grozi poważnym wypadkiem.
- **Nie sięgać zbyt daleko.** Należy cały czas pewnie opierać stopy i utrzymywać równowagę. Zapewni to lepsze panowanie nad urządzeniem w nieprzewidywanych sytuacjach.
- **Należy zakładać odpowiednią odzież ochronną.** Nie zakładać luźnego ubioru ani biżuterii. Trzymać włosy, ubranie i okulary z dala od ruchomych elementów. Mogą być one wciągnięte przez ruchome części urządzenia.
- **Jeśli używane urządzenie posiada przyłącze do wyciągu i gromadzenia kurzu, należy go używać w odpowiedni sposób.** Stosowanie metod usuwania pyłu zmniejsza zagrożenie związane z jego gromadzeniem.

UŻYTKOWANIE I KONSERWACJA URZĄDZEŃ ELEKTRYCZNYCH

- **Nie przeciągać urządzenia.** Używać odpowiedniego narzędzia do odpowiedniego rodzaju prac. Najlepsze efekty pracy, przy zachowaniu pełnego bezpieczeństwa, zapewni używanie urządzeń w zakresie parametrów znamionowych i stosownie do ich przeznaczenia.
- **Nie używać tego urządzenia, jeśli wyłącznik nie pracuje poprawnie.** Używanie elektronarzędzia bez sprawnego wyłącznika jest zbyt niebezpieczne - należy



oddać je do naprawy.

- **Przed przystąpieniem do regulacji, wymiany akcesoriów lub przed odłożeniem elektronarzędzia w miejsce przechowywania należy wyjąć wtyczkę z gniazda sieciowego lub wyjąć akumulator.** Tego rodzaju środki zapobiegawcze pozwolą zmniejszyć ryzyko przypadkowego uruchomienia elektronarzędzia.
- **Nieużywane urządzenia należy przechowywać poza zasięgiem dzieci. Nie wolno zezwalać osobom nie obeznanym z obsługą urządzeń elektrycznych na ich używanie.** Urządzenia elektryczne mogą być niebezpieczne w rękach osób nieposiadających odpowiedniego przygotowania.
- **Urządzenia elektryczne wymagają konserwacji. Należy sprawdzać wyrównanie elementów ruchomych, sprawdzać, czy nie ma jakichkolwiek uszkodzeń, uwzględniać wszelkie aspekty mające wpływ na bezpieczną pracę urządzenia. W przypadku stwierdzenia uszkodzeń, oddać urządzenie do naprawy.** Wiele wypadków spowodowane jest używaniem urządzeń w niewłaściwym stanie technicznym.
- **Elementy tnące muszą być ostre i czyste.** Odpowiednio ostre krawędzie tnące ułatwią prowadzenie urządzenia i są bardziej odporne na uszkodzenie.
- **Wszelkie urządzenia, przystawki, akcesoria itp. należy używać zgodnie z dołączonymi instrukcjami obsługi, z uwzględnieniem warunków i charakteru wykonywanej pracy.** Używanie narzędzi w sposób niezgodny z ich przeznaczeniem grozi poważnym niebezpieczeństwem.

UŻYTKOWANIE I OBSŁUGA AKUMULATORA

- **Ładować wyłącznie za pomocą ładowarki dostarczonej przez producenta.** Ładowarka przeznaczona do jednego modelu akumulatora może być przyczyną pożaru w przypadku zastosowania do ładowania akumulatora innego typu.
- **Używać narzędzi ręcznych z napędem elektrycznym wyłącznie z akumulatorami przeznaczonymi do tych urządzeń.** Używanie innych akumulatorów wiąże się ze zwiększonym ryzykiem pożaru lub obrażeń ciała.
- **Gdy akumulator nie jest używany, przechowywać go z dala od innych metalowych przedmiotów, np. spinaczy, monet, kluczy, gwoździ, śrub lub innych małych metalowych przedmiotów, które mogłyby utworzyć połączenie między stykami, prowadząc do zwarcia.** Zwarcie styków akumulatora może spowodować oparzenia lub pożar.
- **W przypadku niewłaściwej obsługi może dojść do wycieku płynu z akumulatora, należy unikać kontaktu z tym płynem.** Miejsce ewentualnego kontaktu przepłukać wodą. W przypadku, gdy płyn dostanie się do oczu, po przemyciu zwrócić się o pomoc do lekarza. Płyn wyciekający z akumulatora może powodować podrażnienia i oparzenia.

KONSERWACJA

- **Urządzenie elektryczne powinno być naprawiane przez wykwalifikowany personel, z zastosowaniem identycznych części zamiennych.** Dzięki temu

zapewnione będzie bezpieczeństwo użytkownika urządzenia.

SPECJALNE ZASADY BEZPIECZEŃSTWA

⚠ OSTRZEŻENIE

Podczas używania tego urządzenia należy przestrzegać odpowiednich zasad bezpieczeństwa. Aby zapewnić bezpieczeństwo sobie i osobom postronnym, przed przystąpieniem do użytkowania urządzenia należy zapoznać się z niniejszą instrukcją. Niniejszą instrukcję należy przechowywać w bezpiecznym miejscu do późniejszego użytku.

⚠ OSTRZEŻENIE

Urządzenie nie jest przeznaczone do obsługi przez osoby (w tym dzieci) o zmniejszonej sprawności fizycznej, psychicznej lub sensorycznej lub nieposiadające odpowiedniej wiedzy ani doświadczenia, chyba że pod nadzorem osoby odpowiedzialnej za ich bezpieczeństwo. Nie powinno się pozwalać dzieciom na zabawy z tym urządzeniem.

- **Zatrzymać urządzenie w przypadku wtargnięcia dowolnej osoby w obszar roboczy.** Nie wolno używać tego urządzenia, gdy w pobliżu znajdują się osoby postronne, szczególnie dzieci lub zwierzęta. W przypadku zbliżenia się jakiegokolwiek osoby, urządzenie należy natychmiast wyłączyć.
- **Unikać używania urządzenia w złych warunkach pogodowych, szczególnie podczas burzy z wyładowaniami.**
- **Produkt należy używać przy świetle dziennym lub przy dobrym oświetleniu sztucznym.**
- **Unikać używania urządzenia do mokrej pracy.**
- **Należy cały czas pewnie opierać stopy i utrzymywać równowagę.**
- **Nie posuwać się do tyłu podczas koszenia.**
- **Podczas pracy należy chodzić, nie wolno biegać.**
- **Głowica podkaszarki musi być zawsze utrzymywana poniżej linii talii.**
- **Nie kosić powierzchni innych niż grunt porośnięty trawą.**
- **Nie używać produktu z uszkodzonymi osłonami lub bez założonych osłon.**
- **Nie wolno zastępować żytki linką metalową.**
- **Trzymać dłonie i stopy z dala od elementów tnących przez cały czas pracy, a szczególnie podczas uruchamiania silnika.**
- **Dokładnie sprawdzić obszar, na którym będzie używane urządzenie i usunąć wszystkie kamienie, gałęzie, przewody, kości, zabawki i inne przedmioty obcego pochodzenia.**
- **Wyłączyć zasilanie i wyjąć wtyczkę z gniazda sieciowego przed następującymi czynnościami:**





- serwisowanie
 - pozostawianie podkaszarki bez nadzoru
 - czyszczenie podkaszarki
 - wymiana akcesoriów
 - kontrola uszkodzeń po uderzeniu obiektu
 - kontrola uszkodzeń w przypadku, gdy podkaszarka wpada w nietypowe drgania
 - konserwacja
- Zakładać okulary lub gogle ochronne.
 - Zachować ostrożność, aby nie doszło do zranienia przez przyrząd do skracania długości żyłki.

KONSERWACJA

- Używać wyłącznie oryginalnych części zamiennych i akcesoriów.
- Po założeniu nowej żyłki należy przywrócić produkt do normalnego położenia roboczego przed włączeniem zasilania.
- Po każdym użyciu oczyścić miękką, suchą szmatką.
- Systematycznie sprawdzać, czy wszystkie nakrętki, wkręty i śruby są dobrze dokręcone, aby upewnić się, że produkt jest w bezpiecznym stanie. Każdą uszkodzoną część należy odpowiednio naprawić lub wymienić w autoryzowanym punkcie serwisowym.
- Nieużywany produkt należy przechowywać w suchym, chłodnym, zamkniętym miejscu, niedostępnym dla dzieci. Nie przechowywać na zewnątrz.

Sprawdzenie po upuszczeniu lub innych uderzeniach

Należy dokładnie sprawdzić produkt w celu stwierdzenia wszelkich uszkodzeń. Każdą uszkodzoną część należy odpowiednio naprawić lub wymienić w autoryzowanym punkcie serwisowym.

RYZYKO ZWIĄZANE Z UŻYTKOWANIEM:

Badania dowodzą, że wibracje powodowane przez narzędzia ręczne mogą wywoływać u niektórych osób objawy syndromu Raynauda. Typowe objawy to mrowienie, drętwienie i blednięcie palców, widoczne zwykle po wystawieniu na działanie zimna.

Uważa się, że czynniki dziedziczne, wystawienie na działanie zimna i wilgoci, dieta, palenie papierosów i przyjęte zwyczaje przyczyniają się do rozwoju tych objawów. Istnieją środki zaradcze, które może podjąć operator narzędzia, aby zmniejszyć efekt wibracji:

- Zadbaj w niskich temperaturach o ciepłotę własnego ciała, zakładając odpowiednie ubranie. Podczas obsługi urządzenia należy nosić rękawice, aby dłonie i nadgarstki były ciepłe. Wiadomo, że niskie temperatury są główną przyczyną powstawania objawu Raynauda.
- Podczas przerw w pracy należy wykonywać ćwiczenia poprawiające krążenie krwi..
- Podczas pracy robić częste przerwy. Ograniczyć ekspozycję w ciągu dnia. W razie doświadczenia dowolnego z wymienionych objawów, należy niezwłocznie zaprzestać użytkowania tego urządzenia i skontaktować się z lekarzem.

PRZEZNACZENIE

Urządzenie jest przeznaczone wyłącznie do użytku na zewnątrz pomieszczeń. Produkt jest przeznaczony do cięcia trawy i małych chwastów wyłącznie w ogródkach domowych.

Podkaszarka do obrzeży

Niniejszy produkt jest przeznaczony do ścinania wysokiej trawy, chwastów, podobnych roślin na poziomie gruntu lub nieco powyżej.

Krawędziarka

Produkt jest przeznaczony do wycinania równych krawędzi na trawnikach.

Urządzenia nie należy używać do docinania żywoptów, krzewów lub innych roślin w przypadkach, gdy płaszczyzna koszenia nie jest równoległa do płaszczyzny gruntu.

OCHRONA ŚRODOWISKA



Surowce należy oddawać do recyklingu zamiast wyrzucać je na śmieci. Z myślą o ochronie środowiska, narzędzie, akcesoria i opakowania powinny być sortowane.

SYMBOLE



Alarm bezpieczeństwa



Aby zapewnić bezpieczną obsługę produktu, należy przeczytać i zrozumieć wszystkie instrukcje.



Stosować środki ochrony słuchu



Zakładać środki ochrony wzroku



Unikać używania urządzenia w warunkach dużej wilgoci.



Niebezpieczeństwo rykoszetu. Trzymać osoby postronne w odległości przynajmniej 15 m od miejsca pracy.



Uwaga na odrzucane przedmioty. Osoby postronne należy utrzymywać w bezpiecznej odległości od urządzenia.



Maksymalny poziom natężenia hałasu



Zużyte produkty elektryczne nie powinny być utylizowane z odpadami domowymi. Prosimy poddawać recyklingowi w odpowiednich miejscach. Informacje o właściwych metodach recyklingu można uzyskać u władz lokalnych lub sprzedawcy.



Zgodność CE



Zgodność GOST-R

**VŠEOBECNÁ BEZPEČNOSTNÍ VAROVÁNÍ****⚠ UPOZORNĚNÍ**

Přečtěte si všechny pokyny a bezpečnostní varování. Opomenutí dodržování varování a pokynů uvedených níže může způsobit úraz elektrinou požár a/ nebo vážná poranění osob.

Uchovejte všechny pokyny a upozornění, abyste se k nim mohli v budoucnosti vrátit.

Pojem „elektricky poháněný nástroj“ ve varování poukazuje na váš nástroj, který je napájen pomocí napájecího kabelu z elektrické sítě (s kabelem) nebo z baterie (bez přívodního kabelu).

PRACOVNÍ PROSTŘEDÍ

- **Udržujte pracovní prostor čistý a dobře osvětlený.** Zatarasené nebo tmavé oblasti vedou k nehodám.
- **Nepracujte s tímto elektricky poháněným nástrojem ve výbušných prostředích, například v přítomnosti hořlavých kapalin, plynů nebo prachu.** Elektricky poháněné nástroje vytváří jiskry, které mohou zapálit prach nebo výpary.
- **Udržujte děti a přihlížející během práce s elektricky poháněným nástrojem stranou.** Rozptylování může způsobit ztrátu kontroly.

ELEKTRICKÁ BEZPEČNOST

- **Zástrčky elektricky poháněného nástroje musí být shodné s elektrickou zásuvkou.** Nepokoušejte se zástrčku jakýmkoliv způsobem upravovat. **Nepoužívejte žádný adaptér zástrček se zemněným (uzemněným) elektricky poháněným nástrojem.** Neupravené zástrčky a shodné zásuvky snižují nebezpečí elektrického úrazu.
- **Předcházejte tělesnému kontaktu s uzemněnými nebo zemněnými povrchy, například trubkami, radiátory, sporáky a lednicemi.** Je zde zvýšené nebezpečí zásahu elektrickým proudem, pokud je vaše tělo zemněno nebo uzemněno.
- **Nevystavujte dešti nebo nepoužívejte ve vlhkých podmínkách.** Voda vnikající do elektricky poháněného nástroje zvyšuje nebezpečí elektrického úrazu.
- **Nepoškoďte napájecí kabel. Nikdy pro odpojování, táhnutí nebo přenášení elektricky poháněného nástroje nepoužívejte kabel.** Udržujte kabel mimo horké plochy, olej, pohyblivé součásti nebo ostré hrany. Poškozené nebo zamotané kabely zvyšují nebezpečí elektrického úrazu.
- **Pokud používáte elektricky poháněný nástroj ve venkovním prostředí, používejte prodlužovací kabel vhodný pro venkovní prostředí.** Použití kabelu vhodného pro venkovní prostředí snižuje nebezpečí elektrického úrazu.
- **Pokud používáte elektricky poháněný nástroj ve vlhkém prostředí, je nezbytné používat proudový chránič (PCH).** Použitím PCH snížíte nebezpečí poranění elektrickým proudem.

OSOBNÍ BEZPEČNOST

- **Buďte ve střehu, hlídejte, co děláte a používejte zdravý rozum při provozu tohoto elektricky poháněného nástroje.** Elektrický nástroj nepoužívejte, pokud jste unaveni nebo pod vlivem drog, alkoholu nebo léků. Chvilé nepozornosti při práci s tímto elektricky poháněným nástrojem může způsobit vážná poranění osob.
- **Používejte osobní ochrannou výbavu. Vždy noste ochranu očí.** Ochranná výbava jako respirátor, protiskluzová obuv, ochranná přilba nebo ochrana sluchu použitá pro příslušné podmínky snižuje osobní poranění.
- **Zabraňte náhodnému spuštění.** Zabezpečte, aby byl spínač v poloze vypnuto (off) před připojením zdroje energie a/nebo bloku baterií, přípravou nebo nesením nástroje. Nošení elektrického nástroje s vaším prstem na spínači nebo se zapojenou zástrčkou elektrického nástroje může při zapnutí vést k nehodě.
- **Odstraňte všechny seřizovací klíče nebo šroubováky, než zapnete poháněný nástroj.** Klíč nebo šroubovák ponechaný přiložený k pohyblivému dílu elektricky poháněného nástroje může způsobit poranění osob.
- **Nepřeceňujte se. Udržujte řádné postavení a rovnováhu po celou dobu práce.** Toto umožňuje lepší ovládání poháněného nástroje v neočekávaných situacích.
- **Správně se oblékejte. Nenoste volný oděv nebo šperky. Udržujte svoje vlasy, oděv a rukavice mimo pohybující se části.** Volný oděv, šperky nebo dlouhé vlasy mohou být zachyceny do pohyblivých dílů.
- **Pokud jsou zařízení vybavena přípojkou pro odsávání prachu a sběrným zařízením, ujistěte se, že jsou správně připojena k nástroji, a že se správně používají.** Použití odsavače prachu může snížit nebezpečí související s prachem.

POUŽITÍ A PÉČE O NÁSTROJ

- **Nepoužívejte nadměrnou sílu na nástroj. Nářadí vybírejte podle povahy práce, kterou chcete provádět.** Správný elektricky poháněný nástroj bude svou práci provádět lépe a bezpečněji při práci, pro kterou byl navržen.
- **Elektricky poháněný nástroj nepoužívejte, pokud spínač nezapíná a nevypíná.** Každý elektricky poháněný nástroj, který nemůže být ovládán spínačem, je nebezpečný a musí být opraven.
- **Odpojte zástrčku od zdroje napájení a/nebo bateriový modul dříve, než provedete jakákoliv nastavení, výměnu příslušenství nebo než elektrický nástroj uložíte.** Také bezpečnostní preventivní opatření snižují riziko náhodného spuštění elektrického nástroje.
- **Ukládejte nečinný elektricky poháněný nástroj mimo dosah dětí a nenechávejte neznámé osoby pracovat s elektricky poháněným nástrojem nebo s těmito pokyny k obsluze elektrického nástroje.** Elektricky poháněné nástroje jsou nebezpečné v rukou ne kvalifikovaných uživatelů.
- **Udržujte elektrické nástroje. Kontrolujte vychýlení**



nebo zasekávání pohyblivých dílů, rozbité části a každé jiné podmínky, které mohou ovlivnit funkci elektricky poháněných nástrojů. Zjistí-li se poškození, musí se elektricky poháněný nástroj před použitím opravit. Mnoho úrazů je způsobeno nedostatečně udržovanými elektricky poháněnými nástroji.

- **Udržujte řezné nástroje ostré a čisté.** Řádně udržované řezné nástroje s ostrými řeznými hranami mají nízkou pravděpodobnost zaseknutí a jsou snadněji ovladatelné.
- **Poháněné nástroje, příslušenství a vrtáky, atd. používejte v souladu s těmito pokyny s ohledem k pracovním podmínkám a práci, která má být provedena.** Použití elektricky poháněného nástroje pro práce jiné, než zamýšlené by mohlo mít za následek nebezpečnou situaci.

POUŽITÍ A PÉČE O NÁSTROJ NA BATERIE

- **Dobíjejte pouze nabíječkou určenou výrobcem.** Nabíječka, která je vhodná pro jeden typ akumulátoru může způsobit nebezpečí požáru, pokud se používá s jiným bateriovým modulem.
- **Elektrický nástroj používejte pouze s přesně určeným bateriovým modulem.** Použití jakéhokoliv jiného akumulátoru může způsobit nebezpečí poranění a požáru.
- **Pokud akumulátor nepoužíváte, uchovávejte jej mimo kovové předměty jako svorky pro papír, mince, klíče, hřebíky, šrouby nebo jiné malé kovové předměty, které mohou vytvořit propojení jednoho vývodu s druhým.** Zkratování vývodů baterie může způsobit požár nebo popáleniny.
- **Za nevhodných podmínek může z baterie vytékat kapalina; zabraňte kontaktu.** Pokud dojde k náhodnému kontaktu, omyjte vodou. Pokud kapalina přijde do kontaktu s očima, vyhledejte lékařskou pomoc. Kapalina vytečená z baterie způsobit podráždění nebo popáleniny.

ÚDRŽBA

- **Váš elektricky poháněný nástroj smí opravovat pouze kvalifikovaný opravárenský pracovník a musí používat pouze shodné náhradní díly.** Toto zajišťuje udržování bezpečnosti elektricky poháněného nástroje.

ZVLÁŠTNÍ BEZPEČNOSTNÍ PŘEDPISY

⚠ UPOZORNĚNÍ

Při používání výrobku musí být dodrženy bezpečnostní předpisy. Pro vaši vlastní bezpečnost i bezpečnost kolemjdoucích si přečtete tento návod k obsluze. Tyto pokyny uschovejte pro příští použití.

⚠ UPOZORNĚNÍ

Tento přístroj není navržen pro používání osobami (včetně dětí) se sníženými psychickými, smyslovými nebo mentálními schopnostmi, nebo s nedostatkem zkušeností a znalostí bez dozoru, nebo pokynů o použití přístroje osobou, zodpovídající za jejich zdraví. Děti je třeba kontrolovat, aby se zajistilo, že si nebudou hrát s přístrojem.

- Zastavte přístroj, pokud někdo vstoupí do pracovního prostoru. Nikdy nepracujte s přístrojem, když jsou v blízkosti osoby, obzvláště děti nebo domácí zvířata. Přiblížíte-li se, ihned zastavte nástroj.
- Nepožívejte stroj při špatném počasí, zejména hrozí-li bouřky.
- Používejte ve výrobek dne nebo v dobrém umělém osvětlení.
- Nepoužívejte na mokrou trávu.
- Udržujte řádné postavení a rovnováhu po celou dobu práce.
- Při vyžínání nechoďte pozpátku.
- Chodte, nikdy neběhejte.
- Udržujte strunovou hlavu pod úrovní pasu.
- Nevyžínajte jiné plochy než trávu na zemi.
- Nikdy nepoužívejte výrobek s poškozenými ochrannými kryty nebo bez správně nainstalovaných krytů.
- Nikdy neměřte za kovovou sekací šňůru.
- Mějte ruce i nohy vždy mimo oblast sekání, obzvláště, když zapínáte motor.
- Řádně prohlédněte oblast, kde se má nástroj používat a odstraňte všechny kameny, kůly, kovy dráty, kosti, hračky a cizí předměty.
- Přístroj vypněte a odpojte od napájení v následujících situacích:
 - servis
 - ponechání vyžínáče bez dozoru
 - čištění vyžínáče
 - výměna příslušenství
 - kontrola případného poškození po nárazu do předmětu
 - kontrola případného poškození, pokud začne vyžínáč nezvykle vibrovat
 - provádění údržby
- Používejte ochranné bryle či štít.
- Vyvarujte se poranění ze zařízení určených pro sečení s dlouhým vláknem.

ÚDRŽBA

- Používejte pouze originální příslušenství a náhradní díly.
- Po zvětšení záběru vraťte vždy výrobek před zapnutím do normální pracovní polohy.
- Po každém použití vyčistěte měkkým suchým hadříkem.
- Zkontrolujte všechny šrouby, matice v častých intervalech na řádné utažení, aby se zajistilo, že výrobek



bude pracovat v bezpečných pracovních podmínkách. Jakýkoliv poškozený díl je nutné správně opravit nebo nechat vyměnit v autorizovaném servisním středisku.

- Pokud výrobek nepoužíváte, mělo by být uloženo na suchém, bezpečném místě mimo dosah dětí. Neskladujte mimo budovu.

Prohlídka po pádu či jiných úderech

Výrobek řádně prohlédněte a zjistěte vady či poškození. Jakýkoliv poškozený díl je nutné správně opravit nebo nechat vyměnit v autorizovaném servisním středisku.

ZBYTKOVÁ RIZIKA

Bylo zjištěno, že vibrace z ručních pracovních nástrojů mohou u některých osob přispívat ke stavu tzv. Raynaud's Syndrome (Raynaudovu syndromu). Mezi jeho příznaky patří brnění, necitlivost a zbledení prstů, patrné obvykle po pobytu v chladu.

Vědci se domnívají, že k rozvinutí těchto příznaků přispívají dědičné faktory, pobyt v chladu a vlhku, strava, kouření a pracovní návyky. Uživatel může omezit případné působení vibrací použitím vhodných opatření:

- Za chladného počasí se teple oblečte. Při práci s nástrojem si navlekněte rukavice, abyste udrželi ruce a zápěstí v teple. Bylo zjištěno, že chladné počasí je hlavním faktorem přispívajícím k Raynaud's Syndrome (Raynaudovu syndromu).
- Během práce si v pravidelných intervalech zacvičte, abyste zvýšili krevní oběh.
- Zařazujte časté pracovní přestávky. Omezte dobu práce za den. Jakmile pocítíte některý z výše uvedených příznaků tohoto syndromu, okamžitě přerušete práci a vyhledejte lékaře.

ZAMÝŠLENÉ POUŽITÍ

Tento výrobek je určen pouze pro venkovní použití. Výrobek je určen k sekání trávy a menšího plevele jen v prostorách soukromých zahrad.

Strunová sekačky

Výrobek je určen k sekání vysoké trávy, měkké plevele, a podobné vegetace na nebo v úrovni země.

Obrubníková sekačka

Výrobek je navržen pro sečení v blízkosti obrubníků trávníků.

Výrobek se nesmí používat pro stříhání či úpravu živého plotu, keřů nebo jiné vegetace, kde rovina řezu není rovnoběžná s plochou země.

OCHRANA ŽIVOTNÍHO PROSTŘEDÍ



V rámci možností neodhazujte vysloužilý výrobek nebo jeho části do domovního odpadu a snažte se o jejich recyklaci. V souladu s předpisy na ochranu životního prostředí odkládejte vysloužilé nářadí, příslušenství i obalový materiál do tříděného odpadu.

SYMBOLY



Bezpečnostní výstraha



Pro bezpečné používání si přečtěte a porozumějte všem pokynům, než použijete výrobek.



Noste ochranu sluchu



Noste ochranu očí



Nepoužívejte v mokřem nebo vlhkém prostředí.



Nebezpečí prudkého odražení předmětu. Okolostojící osoby udržujte ve vzdálenosti alespoň 15 m.



Dávejte pozor na odmrštěné nebo odletující předměty. Přihlízející udržujte v bezpečné vzdálenosti.



Zaručená hladina akustického výkonu



Odpad elektrických výrobků se nesmí likvidovat v domovním odpadu. Recyklujte prosím na sběrných místech. Ptejte se u místních úřadů nebo prodejce na postup při recyklaci.



Shoda CE



Shoda GOST-R

**ÁLTALÁNOS BIZTONSÁGI FIGYELMEZTETÉSEK****▲ FIGYELMEZTETÉS**

Olvassa el az összes biztonsági figyelmeztetést és útmutatást. A figyelmeztetések és utasítások be nem tartása elektromos áramütést, tüzet és/vagy súlyos sérülést eredményezhet.

Őrizz meg ezeket a figyelmeztetéseket és utasításokat a későbbi tájékozódásra is.

A figyelmeztetéseken a „szerszámgép” kifejezés az elektromos hálózatról (kábelrel) működtetett vagy akkumulátorról (kábel nélkül) működtetett gépet jelenti.

MUNKATERÜLET

- A munkaterületet tartsa tisztán és jól megvilágítva. A rendetlen vagy sötét munkaterületek balesetekhez vezethetnek.
- Az elektromos szerszámgépeket ne működtesse robbanásveszélyes környezetben, mint például robbanásveszélyes folyadékok, gázok vagy porok jelenlétében. Az elektromos gépekben szikrák keletkeznek, amik begyújthatják a port vagy a gőzöket.
- Az elektromos szerszámgép használatakor a gyerekeket és a kivállálókat tartsa távol. A figyelem elterelődése az irányítás elvesztését okozhatja.

ELEKTROMOS BIZTONSÁG

- A szerszámgép dugaszának illeszkednie kell az aljzathoz. Semmilyen módon ne módosítsa a dugaszt. A földelt elektromos gépekhez ne használjon adapter dugaszt. A nem módosított és illeszkedő dugasz csökkenti az áramütés kockázatát.
- Kerülje az érintkezést földelt felületekkel, mint például csövekkel, radiátorokkal és hűtőkkel. Megnöveli az áramütés kockázatát, ha a teste földeltté válik.
- Ne tegye ki esőnek, és ne használja nedves környezetben. A szerszámgépekbe kerülő víz növeli az áramütés kockázatát.
- Ne rongálja meg a kábelt. A szerszámgép kábeltét soha ne használja a szerszám hordozására, húzására vagy kihúzására. A kábelt hőtől, olajtól, éles tárgyaktól vagy mozgó alkatrészekről tartsa távol. A sérült vagy beakadt kábelek növelik az áramütés kockázatát.
- Szerszámgépnek a szabadban való működtetésekor kültéri használatra is megfelelő hosszabbító kábelt használjon. Kültéri használatra megfelelő hosszabbító kábel csökkenti az áramütés kockázatát.
- Ha a szerszámgép használata nedves környezetben elkerülhetetlen, használjon áram-védőkacsolat (RCD). Az RCD használata csökkenti az áramütés kockázatát.

SEMÉLYI BIZTONSÁG

- Elektromos szerszámgép működtetésekor legyen mindig éber, figyeljen arra, amit csinál, és használja a józan eszt. Ne használja a szerszámgépet,

ha fáradt vagy alkohol, gyógyszer illetve más tudatmódosító szerek hatása alatt áll. A gép használata közben már egyetlen figyelmetlen pillanat is súlyos személyi sérüléshez vezethet.

- Használjon személyi védelmi eszközöket. Mindig viseljen védőszemüveget. A védelmi felszerelések, mint például a pormaszk, a csúszásmentes biztonsági lábbelik, a védősisak vagy a fülvédő megfelelő használata csökkenti a személyi sérüléseket.
 - Kerülje el a véletlen bekapcsolást. A szerszám szállítása vagy felemelése, az áramellátás és/vagy akkumulátor csatlakoztatása előtt ellenőrizze, hogy a kapcsoló kikapcsolt állásban van. Szerszámgépek szállítása a kapcsolón tartott ujjal vagy bekapcsolt szerszámgépek áram alá helyezése balesetekhez vezet.
 - A szerszámgépről bekapcsolás előtt távolítson el minden beállító kulcsot és csavar kulcsot. Egy a szerszámgép forgó alkatrészén maradt beállító kulcs vagy csavar kulcs személyi sérülést eredményezhet.
 - Ne hajoljon ki túlságosan. Mindig tartson megfelelő testtartást és egyensúlyt. Ez a szerszámgép jobb irányítását teszi lehetővé váratlan szituációkban.
 - Viseljen megfelelő ruházatot. Ne vegyen fel laza ruhát vagy ékszereket. A haját, a ruháját és a kesztyűjét tartsa távol a forgó alkatrészekről. A laza ruházat, ékszerek vagy a hosszú haj beakadhatnak a mozgó alkatrészekbe.
 - Ha a gép el van látva porkivezető vagy -gyűjtő berendezésekhez való csatlakozási lehetőséggel, akkor ügyeljen rá, hogy ezeket csatlakoztassák és megfelelően használják. A porfogó használata csökkentheti a porral kapcsolatos veszélyeket.
- A SZERSZÁMGÉP HASZNÁLATA ÉS KARBANTARTÁSA**
- Ne erőltesse a terméket. A feladathoz a megfelelő szerszámgépet használja. A megfelelő szerszámgép jobb teljesítménnyel és sokkal biztonságosabban fog dolgozni olyan körülmények között, amilyenekre azt tervezték.
 - Ne használja a szerszámgépet, ha a kapcsoló nem kapcsol be és ki. Bármilyen szerszámgép veszélyes, amit a kapcsolóval nem lehet irányítani, ezért azt meg kell javítani.
 - Bármilyen beállítás, tartozékcseré elvégzése vagy a szerszámgép tárolása előtt húzza ki a szerszámgépet a hálózatról és/vagy vegye ki az akkumulátort a szerszámgépéből. Az ilyen megelőző biztonsági óvintézkedések csökkentik a szerszámgép véletlen bekapcsolódásának kockázatát.
 - A használaton kívüli gépet gyerekek számára nem elérhető helyen tárolja, és ne hagyja, hogy a szerszámgépet vagy a kézikönyvet nem ismerő személyek használják a szerszámgépet. Gyakorlatlan felhasználók kezében a szerszámgépek veszélyesek.
 - Tartsa megfelelő állapotban a szerszámgépeket. Ellenőrizze a mozgó alkatrészek akadását vagy helytelen beállítását, az alkatrészek törését és minden más körülményt, ami hatással





lehet a szerszám gép működésére. Ha sérült, a szerszám gépet használat előtt meg kell javítani. Sok balesetet a rosszul karbantartott szerszám gépek okoznak.

- **A vágószerszámok legyenek élesek és tiszták.** A megfelelően karbantartott, éles vágóélű vágószerszámok kevésbé akadnak be és könnyebben irányíthatók.
- **A szerszám gépet, a tartozékokat és a biteket stb. ezen utasításban leírtaknak megfelelően használja, figyelembe véve a munkakörülményeket és az elvégzendő feladatot.** A szerszám gép rendeltetésétől eltérő műveletekre való használata veszélyes helyzeteket eredményezhet.

AKKUMULÁTOROS SZERSZÁMGÉP HASZNÁLATA ÉS KARBANTARTÁSA

- **Csak a gyártó által megadott töltővel töltsse az akkumulátorokat.** Egy adott akkumulátortípushoz való töltő egy másik típusú akkumulátorral való használata tűzveszélyes lehet.
- **A szerszámokat csak a hozzájuk való akkumulátorokkal üzemeltesse.** Más akkumulátorok használata tűzveszélyes lehet, és sérüléseket okozhat.
- **Az akkumulátort használaton kívül tartsa távol más fém tárgyaktól, úgymint gemkapcsoktól, érméktől, kulcsoktól, szögektől, csavaroktól vagy más kisméretű fém tárgyaktól, amelyek rövidre zárhatják a két érintkezőt.** Az akkumulátor érintkezőinek rövidre zárása tüzet vagy égéseket okozhat.
- **Nem megfelelő körülmények esetén folyadék távozhat az akkumulátorból, kerülje az azzal való érintkezést.** Ha mégis érintkezik vele, öblítse le vízzel. Ha a folyadék szembe kerül, forduljon orvoshoz. Az akkumulátorból kifolyt folyadék irritációt vagy égéseket okozhat.

KARBANTARTÁS

- **A szerszám gépet csak szakképzett szervizszakemberrel szervizeltesse, csak azonos cserealkatrészeket használva.** Ez biztosítja, hogy a szerszám gép használata továbbra is biztonságos legyen.

SPECIÁLIS BIZTONSÁGI ELŐÍRÁSOK

▲ FIGYELMEZTETÉS

A termék használatakor a biztonsági szabályokat be kell tartani. A saját és mások biztonsága érdekében kérjük, olvassa el ezt az útmutatót a termék használata előtt. Tartsa meg a kézikönyvet, hátha a későbbiekben szüksége lehet rá.

▲ FIGYELMEZTETÉS

A készüléket nem használhatjaak csökkent fizikai, érzékelési vagy értelmi képességű személyek (a gyerekeket is beleértve), vagy akiknek nincs meg a tapasztalatuk és tudásuk ehhez; kivéve, ha a biztonságukért felelős személy a használatra megtanítja, vagy a használat közben felügyeli őket. A gyerekekre oda kell figyelni, nehogy játsszanak a készülékkel.

- Állítsa le a motort, ha bárki belép a területre. Soha ne működtesse a gépet, ha emberek - különösen gyerekek - vagy állatok vannak a közelben. Ha valaki a közelébe kerül, azonnal állítsa le a gépet.
- Kerülje a gép használatát rossz időben, különösen, ha villámlás veszélye áll fenn.
- Nappal vagy jó mesterséges megvilágításnál használja a terméket.
- Kerülje a nedves fűvön való használatot.
- Mindig tartson megfelelő testtartást és egyensúlyt.
- Ne lépjen hátrafelé vágás közben.
- Gyalogoljon, ne fusson.
- Derékszint alatt tartsa a vágófejet.
- Csak fűvel vagy földdel borított területeken vágjon.
- Ne működtesse a terméket sérült védőburkolattal vagy ha a védőburkolatok nincsenek a helyükön.
- Ne szereljen fel fém csereszálát.
- A kezét és lábát minden esetben, de különösen a motor bekapcsolásakor, tartsa távol a vágóeszköztől.
- Alaposan vizsgálja át a területet, ahol a gépet használni szeretné, és távolítson el minden követ, fadarabot, fémdarabot, drótot, csontot, játékot vagy más idegen tárgyat.
- Kapcsolja ki és húzza ki a gépet az elektromos hálózatról, mielőtt:
 - szervizelés
 - a vágó felügyelet nélkül hagyása
 - a vágó tisztítása
 - tartozékok cseréje
 - egy tárgy eltalálása után vizsgálja meg, hogy nincsenek-e rajta sérülések
 - Ellenőrizze, hogy nem sérült-e meg, ha a vágó túlzottan vibrálni kezd
 - karbantartás végrehajtása
- Vegyen fel szemvédőt vagy védőszemüveget.
- Figyeljen oda, nehogy megsérüljön a vágószál adott hosszúságúra való vágásához felszerelt kiegészítőtől.

KARBANTARTÁS

- Csak eredeti cserealkatrészeket és tartozékokat használjon.
- Új vágószál kihúzását követően a bekapcsolás előtt mindig állítsa vissza a terméket a normális működési állásba.
- Minden egyes használat után egy puha, száraz ruhával tisztítsa meg.



- Gyakori időközönként ellenőrizze a csavaranyák, csavarok és fejescsavarok megfelelő meghúzását, hogy a termék biztonságos üzemi állapotban legyen. A sérült alkatrészeket egy hivatalos szervizközpontban kell megjavíttatni vagy kicseréltetni.
- Használaton kívül a terméket száraz, hűvös helyen, gyerekektől elzárva kell tárolni. Ne tárolja a szabadban.

Leesés vagy más ütés utáni átvizsgálás

Alaposan vizsgálja át a terméket, és keresse meg az esetleges behatásokat vagy sérüléseket. A sérült alkatrészeket egy hivatalos szervizközpontban kell megjavíttatni vagy kicseréltetni.

FENNMARADÓ KOCKÁZAT

Arról számoltak be, hogy a kéziszerszámok használata során fellépő vibráció bizonyos személyeknél hozzájárulhat az úgynevezett Raynaud-szindróma (Raynaud's Syndrome) nevű állapot kialakulásához. A tünetei lehetnek: az ujjak zsibbadása, elfehéredése, szúrások érzése, amelyek hidegnek kitéve gyakran felerősödnek.

Az örökklődő tényezők, a hidegnek kitettség és verejtékezés, a diéta, a dohányzás és munka közben alkalmazott fogások valószínűleg mind hozzájárulhatnak ezen tünetek megjelenéséhez. A vibráció hatásainak csökkentése érdekében a kezelőnek be kell tartani az alábbi óvintézkedéseket:

- Hideg időben tartsa melegen a testét. A gép használatakor viseljen kesztyűt a kéz és a csukló melegen tartásához. Arról számoltak be, hogy a hideg időjárásnak fontos szerepe van a Raynaud-szindróma kialakulásában.
- Bizonyos időtartamú használat után mindig végezzen gyakorlatokat a vérkeringés javításához.
- Gyakran tartson munkaszünetet. Korlátozza a napi munkaidőt. Ha ezen állapot bármelyik tünetét tapasztalja, azonnal hagyja abba a munkát, és tájékoztassa az orvosát a tünetekről.

RENDELTETÉSSZERŰ HASZNÁLAT

A termék kizárólag a szabadban használható. A terméket csak fű és vékony gaz vágására való, kizárólag magánkertekben.

Szegélyvágó

A termék hosszú fű, puha gaz, és más hasonló növényzet talajszinten vagy afelett való vágására alkalmas.

Szegélynyíró

A termék a gyep szélének megfelelő formára vágására szolgál.

A termék nem használható sövények, bokrok vagy más olyan növény vágására vagy nyésására, ahol a vágás síkja nem párhuzamos a talajfelszínnel.

KÖRNYEZETVÉDELEM



Segítse elő az alapanyagok újrahasznosítást azzal, hogy nem helyezi el őket a háztartási szemétben. Környezetvédelmi megfontolásból az elhasznált gépet és tartozékokat, valamint a csomagolóanyagokat szelektív módon kell gyűjteni.

SZIMBÓLUMOK



Biztonsági figyelmeztetés



A biztonságos használat érdekében a termék használata előtt olvassa el és értelmezze az összes utasítást.



Viseljen fülvédőt



Viseljen védőszemüveget



Kerülje a gép használatát nedves vagy vizes körülmények között.



Visszapattanás veszélye. A nézelődő személyek legyenek legalább 15 méteres távolságban.



Figyeljen a kivetett vagy repülő tárgyakra. A nézelődőket a géptől biztonságos távolságban tartsa.



Garantált hangteljesítményszint



A kiselejtezett elektromos termékeket nem szabad a háztartási hulladékkal együtt kidobni. Ezeket újra kell hasznosítani, ha van rá lehetőség. Az újrahasznosítással kapcsolatban érdeklődjön a helyi önkormányzatnál vagy a termék forgalmazójánál.



CE megfelelés



GOST-R megfelelés

**AVERTISMENTE GENERALE PRIVIND SIGURANȚA****▲ AVERTISMENT**

Citiți toate avertismentele și instrucțiunile de siguranță. Nerespectarea acestor avertismente și instrucțiuni poate conduce la șocuri electrice, incendii și/sau accidente grave.

Păstrați aceste avertismente și instrucțiuni, pentru a le putea consulta ulterior.

Termenul de "unealtă electrică" folosit în avertismente se referă la uneltele electrice alimentate de la rețea (cu cablu) sau cu acumulator (fără cablu).

MEDIUL DE LUCRU

- **Mențineți curată și bine iluminată zona de lucru.** Zonele dezordonate și întunecate prezintă pericol de accidente.
- **Nu operați cu unealta electrică în atmosfere explozive, precum în prezența lichidelor, gazelor sau a prafului inflamabil(e).** Uneltele electrice creează scântei care pot aprinde praful sau vaporii.
- **Țineți copiii și persoanele din jur la distanță în timpul operării unei unelte electrice.** Distragerea atenției vă poate face să pierdeți controlul.

SIGURANȚĂ ELECTRICĂ

- **Ștecărele uneltelor electrice trebuie să se potrivească cu priza.** Nu modificați niciodată ștecărul în nici un fel. Nu folosiți niciodată adaptoare de ștecăr cu uneltele electrice cu împământare. Ștecărele nemodificate și prizele potrivite reduc riscul de electrocutare.
- **Evitați contactul corpului cu suprafețele conectate la împământare, precum țevi, radiatoare, reșouri, mașini de gătit și frigider.** Există un risc crescut de electrocutare când corpul dumneavoastră are contact cu împământarea.
- **Nu expuneți la ploaie sau umezeală.** Apa care intră într-o unealtă electrică va crește riscul de electrocutare.
- **Nu forțați cablul.** Nu trageți niciodată unealta electrică de cablul de alimentare pentru a o transporta, a o trage sau a scoate ștecărul din priză. **Țineți cablul de alimentare departe de căldură, ulei, micii ascuțite sau piese în mișcare.** Cablurile deteriorate sau încurcate cresc riscul de electrocutare.
- **Atunci când lucrați cu o unealtă electrică în aer liber, folosiți un prelungitor adecvat pentru utilizarea în aer liber.** Folosirea unui prelungitor adecvat pentru utilizarea în aer liber reduce riscul de electrocutare.
- **În cazul în care operarea unei unelte electrice într-o zonă umedă nu poate fi evitată, folosiți o alimentare protejată cu un dispozitiv de curent rezidual (RCD).** Utilizarea unui RCD reduce riscul de electrocutare.

SIGURANȚĂ PERSONALĂ

- **Fiți vigilenți, fiți atenți la ceea ce faceți, acționați cu simț practic când operați o unealtă electrică.** Nu folosiți unealta electrică în timp ce sunteți obosit

sau sub influența drogurilor, a alcoolului sau a medicamentelor. Un moment de neatenție în timpul operării uneltelor electrice poate cauza vătămare personală gravă.

- **Utilizați echipament personal de protecție. Purtați întotdeauna ochelari de protecție.** Echipamentele de protecție, precum masca de praf, încălțămîntea de protecție antiderapantă, casca sau protecția auditivă, folosite în condiții adecvate, vor reduce riscul rănilor.
- **Prevenirea pornirii neintenționate. Asigurați-vă că comutatorul este în poziția oprit înainte deconectarea la sursa de alimentare și / sau la acumulator, ridicarea sau transportul uneltei.** Transportarea uneltelor electrice cu degetul pe comutator sau punerea sub tensiune a uneltelor electrice care au comutatorul în poziția pornit predispozează la accidente.
- **Îndepărtați orice cheie de reglare înainte de a porni unealta.** O cheie sau rămasă atașată de o piesă rotativă a uneltei electrice poate cauza vătămări corporale.
- **Nu vă aplecați excesiv. În timpul operării dispozitivului, păstrați-vă în permanență echilibrul și stabilitatea.** Acest lucru permite un mai bun control al uneltei electrice în situații neașteptate.
- **Îmbrăcați-vă corespunzător. Nu purtați haine largi sau bijuterii.** Mențineți părul, hainele și mănușile departe de piesele în mișcare. Hainele largi, bijuteriile sau părul lung pot fi prinse de piesele aflate în mișcare.
- **Dacă sunt prevăzute dispozitive pentru conectarea facilităților de extracție și de colectare a prafului, asigurați-vă că acestea sunt conectate și folosite corect.** Utilizarea colectării prafului poate reduce riscurile legate de praf.

FOLOSIREA ȘI ÎNTREȚINEREA UNELTEI ELECTRICE

- **Nu forțați produsul. Folosiți unealta electrică corectă pentru aplicație.** Unealta electrică corectă va funcționa mai bine și mai sigur la viteza pentru care a fost proiectată.
- **Nu folosiți unealta electrică dacă comutatorul nu o poate porni și opri.** Orice unealtă electrică, care nu poate fi controlată cu comutatorul este periculoasă și trebuie reparată.
- **Deconectați ștecărul de la sursa de alimentare și / sau acumulatorul de la unealta electrică înainte de a efectua orice reglaje, a schimba accesorii sau de a stoca uneltele electrice.** Astfel de măsuri preventive de siguranță reduc riscul de pornire accidentală a uneltei electrice.
- **Nu lăsați uneltele electrice la îndemâna copiilor și nu permiteți persoanelor nefamiliarizate cu unealta electrică sau cu aceste instrucțiuni să folosească unealta.** Uneltele electrice sunt periculoase în mâinile utilizatorilor neinstruiți.
- **Întrețineți uneltele electrice. Verificați alinierea sau lipirea pieselor în mișcare, spargerea pieselor, precum și orice altă stare care poate afecta funcționarea uneltei electrice.** Dacă este deteriorată, solicitați repararea uneltei înainte de utilizare. Multe accidente sunt cauzate de uneltele electrice întreținute necorespunzător.



- **Păstrați uneltele de tăiere ascuțite și curate.** Uneltele de tăiere corect întreținute, cu muchii de tăiere ascuțite au o probabilitate mai redusă de lipire și sunt mai ușor de controlat.
- **Folosiți unealta electrică, accesoriile și burghiile etc. în conformitate cu aceste instrucțiuni, ținând cont de condițiile de lucru și de lucrarea care urmează să fie efectuată.** Utilizarea unelei electrice pentru alte operații decât cele preconizate poate duce la situații periculoase.

FOLOSIREA ȘI ÎNTREȚINEREA MAȘINII CU ACUMULATOR

- **Reîncărcați numai cu încărcătorul specificat de producător.** Un încărcător destinat unui anumit tip de acumulator este folosit la încărcarea altor acumulatori există pericolul de incendii.
- **Folosiți uneltele electrice numai cu acumulatorii indicați.** Utilizarea oricărui altii acumulatori poate crea un risc de vătămare și de incendiu.
- **Atunci când acumulatorul nu este în uz, păstrați-l departe de alte obiecte metalice, cum ar fi agrafe de birou, monede, chei, cuie, șuruburi sau alte obiecte metalice mici, care pot face o conexiune de la o bornă la alta.** Scurtcircuitarea bornelor bateriei poate provoca arsuri sau incendii.
- **Ca urmare a folosirii necorespunzătoare, din acumulator se poate scurge lichid; evitați contactul cu acesta. În cazul unui contact accidental, spălați cu apă. În cazul contactului cu ochii, consultați suplimentar un medicul.** Lichidul care iese din acumulator poate provoca iritații sau arsuri.

ÎNTREȚINERE

- **Solicitați efectuarea lucrărilor de service la unealta dvs. electrică numai de către o persoană calificată în reparații, folosind numai piese de schimb identice.** Acest lucru va garanta că siguranța unelei electrice este menținută.

REGULI DE SIGURANȚĂ SPECIFICE

▲ AVERTISMENT

Atunci când utilizează produsul, normele de siguranță trebuie să fie respectate. Pentru siguranța dumneavoastră și a trecătorilor, vă rugăm să citiți aceste instrucțiuni înainte de utilizarea produsului. Vă rugăm să păstrați instrucțiunile într-un loc sigur pentru utilizare ulterioară.

▲ AVERTISMENT

Acest aparat nu este destinat utilizării de către persoane (inclusiv copii) cu capacități reduse fizice, senzoriale sau mentale, sau fără experiență și cunoștințe, cu excepția cazului în care sunt supravegheați sau instruiți în privința folosirii aparatului de către o persoană responsabilă pentru siguranța lor. Copiii trebuie supravegheați pentru a nu avea posibilitatea să se joace cu acest dispozitiv.

- Opriți mașina dacă cineva intră în zonă. Nu utilizați niciodată mașina în timp ce îți apropiere se află persoane, în special copii sau animale de companie. Dacă sunteți sesizat, opriți imediat unitatea.
- Evitați să utilizați mașina în condiții meteo nefavorabile, în special dacă există risc de trăsnet.
- Folosiți produsul pe timpul zilei sau dacă aveți o sursă de lumină artificială bună.
- Evitați utilizarea pe iarba umedă.
- În timpul operării dispozitivului, păstrați-vă în permanență echilibrul și stabilitatea.
- Nu mergeți cu spatele atunci când tundeți.
- Mergeți. Nu alergați niciodată.
- Păstrați capul de cosire sub nivelul taliei.
- Nu tăiați pe alte suprafețe decât iarbă de pe sol.
- Nu utilizați niciodată produsul cu dispozitive de protecție deteriorate sau fără ca acestea să fie montate.
- Nu înlocuiți niciodată firul de nylon cu unul metalic.
- Feriți întotdeauna mâinile și picioarele de părțile tăietoare ale unelei, mai ales atunci când porniți motorul.
- Inspectați foarte bine zona în care va fi utilizată mașina și îndepărtați toate pietrele, crengile, metalul, sârma, oasele, jucăriile sau alte obiecte străine.
- Opriți și deconectați de la sursa de alimentare înainte de:
 - revizia
 - lăsarea motocooasei fără supraveghere
 - curățarea motocooasei
 - schimbarea accesoriilor
 - verificare pentru orice daune după lovirea unui obiect
 - verificare pentru orice daune în cazul în care motocooasa începe să vibreze anormal
 - efectuarea întreținerii
- Purtați ochelari de protecție.
- Aveți grijă să nu vă răniți cu dispozitivele montate pentru tăierea firului monofilament.

ÎNTREȚINEREA

- Utilizați doar piese de schimb și accesorii originale.
- După extinderea firului de tăiere nou, readuceți întotdeauna produsul în poziția sa normală de funcționare înainte de a o porni.
- După fiecare utilizare, curățați cu o cârpă moale și uscată.
- Verificați toate piulițele, șuruburile la intervale frecvente de timp ca să fie corespunzător strânse pentru a vă asigura că produsul este în stare de lucru în siguranță. Orice piesă deteriorată trebuie să fie reparată în mod corespunzător sau înlocuită de un service autorizat.
- Atunci când nu este utilizat, produsul trebuie să fie depozitat într-un loc uscat și răcoros, prevăzut cu încuietore, la care copiii să nu aibă acces. Nu depozitați în aer liber.

**Inspecția după cădere sau alte impacturi**

Inspectați amănunțit produsul și identificați orice defecțiuni sau pagube ale acestuia. Orice piesă deteriorată trebuie să fie reparată în mod corespunzător sau înlocuită de un service autorizat.

RISCURI REZIDUALE

S-a raportat faptul că vibrațiile produse de uneltele manuale pot contribui, la anumite persoane, la o afecțiune denumită Sindromul Raynaud. Simptomele pot include furnicături, amorțeală și albirea degetelor, care apare, de obicei, după expunerea la frig.

Factori ereditari, expunerea la frig și umiditate, dieta, fumatul și practicile de muncă contribuie la dezvoltarea acestor simptome. Există măsurători care pot fi efectuate de către operator pentru a reduce efectele de vibrațiilor:

- Păstrați-vă temperatura corporală ridicată pe vreme rece. Când operați unitatea purtați mănuși pentru a vă menține mâinile și încheieturile la căldură. S-a constatat că vremea rece este un factor major care contribuie la sindromul Raynaud.
- După fiecare perioadă de operare, trebuie făcute exerciții pentru a crește circulația sângelui.
- Trebuie făcute pauze la intervale de timp regulate. Limitați expunerea zilnică. Dacă sunt experimentate oricare dintre simptomele acestei afecțiuni, trebuie întreruptă utilizarea și consultat un medic.

UTILIZARE PREVĂZUTĂ

Acest produs este destinat numai pentru utilizare în aer liber. Produsul este conceput pentru tăierea ierbii și a buruienilor numai în grădini private.

Trimmer

Produsul este destinat pentru tăierea ierbii lungi, a buruienilor moi, a lăstărișului și a vegetației similare la sau aproape de nivelul solului.

Mașină de bordurat iarba

Acest produs este destinat tunderii ordonate a marginilor gazonului de iarbă.

Produsul nu trebuie utilizat pentru a tăia sau a tunde garduri vii, tufișuri sau altă vegetație în care planul de tăiere nu este paralel cu suprafața solului.

PROTECȚIA MEDIULUI ÎNCONJURĂTOR

Reciclați materiile prime în loc să le aruncați la gunoi, împreună cu deșeurile menajere. Pentru a proteja mediul înconjurător, mașina, accesoriile acesteia și ambalajele trebuie triate.

SIMBOLURI

Avertizare de siguranță



Pentru utilizare în siguranță, citiți și înțelegeți toate instrucțiunile înainte de a utiliza produsul.



Purtați echipamente de protecție a auzului



Purtați întotdeauna ochelari de protecție



Evitați utilizarea în condiții de ude sau umede.



Pericol de ricoșeu. Țineți trecătorii la o distanță de cel puțin 15 m.



Feriți-vă de obiecte proiectate sau în zbor.
Păstrați distanța față de persoanele din apropiere.



Nivel garantat al puterii acustice



Deșeurile produselor electrice nu trebuie scum înlăturate împreună cu deșeurile casnice. Vă rugăm reciclați acolo unde există facilități. Verificați la autoritatea dvs locală sau la vânzător pentru sfaturi privind reciclarea.



Conform CE



Conform GOST-R

**VISPĀRĪGIE DROŠĪBAS BRĪDINĀJUMI****▲ BRĪDINĀJUMS**

Izlasiet visus drošības brīdinājumus un norādījumus. Brīdinājumu un norādījumu neizpildīšana var izraisīt elektrisko triecienu, aizdegšanos un/vai smagu ievainojumu.

Brīdinājumus un instrukcijas saglabājiet turpmāki uzziņai.

Nosaukums "elektroinstruments" brīdinājumos attiecas uz jūsu elektrisko (ar vadu) elektroinstrumentu vai ar akumulatoru darbināmo (bez vada) elektroinstrumentu.

DARBA VIETA

- **Turiet darba vietu tīru un labi apgaismotu.** Pārblīvētas un tumšas vietas izraisa negadījumus.
- **Nedarbiniet elektroinstrumentus sprādzienbīstamā vidē, piemēram, degošu šķidrums, gāzu vai putekļu klātbūtnē.** Elektroinstrumenti rada dzirksteles, kas var aizdedzināt putekļus vai gāzes.
- **Neļaujiet bērniem un blakusstāvētājiem tuvoties darbā esošiem elektroinstrumentiem.** Izklaidības dēļ jūs varat zaudēt kontroli.

ELECTRICAL SAFETY

- **Elektroinstrumenta kontaktakšai jāatbilst kontaktligzdai.** Nekad nepārveidojiet kontaktakšas. **Sazemētiem elektroinstrumentiem nelietojiet pārejas ligzdas.** Nepārveidotas kontaktakšas un atbilstošas kontaktligzdas samazinās elektriskā trieciena risku.
- **Nepieļaujiet ķermeņa kontaktu ar sazemētām virsmām, piemēram, caurulēm, radiatoriem, pavārdiem un saldētavām.** Ja jūsu ķermenis ir sazemēts, pastāv palielināts elektriskā trieciena risks.
- **Nepakļaujiet lietum vai mitriem apstākļiem.** Ūdens iekļūšana elektroinstrumentā palielina elektriskā trieciena risku.
- **Neizmantojiet kabeli nepareizi.** Nekad neizmantojiet vadu, lai nestu, vilktu elektroinstrumentu vai atvienotu kontaktakšas. Turiet kabeli tālu no siltuma avota, eļļas, asiem priekšmetiem vai kustīgām detaļām. Bojāts vai savērpts kabelis palielina elektriskā trieciena iespēju.
- **Strādājot ar elektroinstrumentu ārpus telpām, lietojiet āra lietošanai piemērotu pagarinātāju.** Elektriskā trieciena risku samazina lietošanai ārpus telpām piemērota kabeļa izmantošana.
- **Ja elektroinstruments ir jālieto mitrās telpās, izmantojiet strāvas noplūdes automātslēdzi (RCD) barošanas vadā.** Paliekošas strāvas ierīces izmantošana samazina elektriskā trieciena risku.

PERSONISKĀ DROŠĪBA

- **Uzmanieties darba laikā un izmantojiet veselo saprātu, darbojoties ar elektroinstrumentu.** Neizmantojiet elektroierīci, ja esat noguris vai narkotisko vielu, alkohola vai medikamentu ietekmē.

Neuzmanības brīdis, strādājot ar elektroinstrumentiem, var izraisīt smagus ievainojumus.

- **Lietojiet personīgo aizsargaprīkojumu. Vienmēr lietojiet aizsargbrilles.** Aizsargaprīkojums, piemēram, putekļu maska, neslidoši aizsargapavi, aizsargķivere vai ausu aizsargi, kas lietoti atbilstošos apstākļos, samazina personas ievainojumu iespēju.
- **Nepieļaujiet nejašu iedarbināšanu. Pirms pievienot enerģijas avotam un/vai akumulatoram, pacelt un pārvietot darbarīku, pārliecinieties, ka slēdzis ir izslēgtā stāvoklī.** Elektroinstrumentu pārnēsāšana, turot pirkstu uz slēdža vai ieslēgtu elektroinstrumentu pārnēsāšana var izraisīt nelaimes gadījumu.
- **Noņemiet visas regulēšanas uzgriežņu atslēgas pirms elektroierīces ieslēgšanas.** Uzgriežņu atslēga vai atslēga, kas palikusi piestiprināta pie elektroinstrumenta rotējošās detaļas, var izraisīt personas ievainojumu.
- **Nepersitēmpkite. Visu laiku stāviet stingri un stabili.** Tas ļauj labāk vadīt elektroinstrumentu negaidītās situācijās.
- **Apģērbieties pareizi. Nevalkājiet vaļīgu apģērbu vai rotaslietas. Turiet savus matus, apģērbu un cimdus tālu no kustīgām detaļām.** Vaļīgs apģērbs, rotaslietas vai gari mati var tikt ierauti starp kustīgām detaļām.
- **Ja ierīce ir aprīkota ar putekļu nosūcēja un savācēja pievienojumu, pārliecinieties, ka tas ir pievienots un tiek pareizi lietots.** Putekļu savācēja lietošana var samazināt putekļu izraisītos riskus.

ELEKTROINSTRUMENTU LIETOŠANA UN APRŪPE

- **Nepielietojiet spēku, izmantojot ražojumu.** Izmantojiet savam darbam atbilstošu elektroierīci. Pareizais elektroinstruments veiks darbu labāk un drošāk ar ātrumu, kādam ticis konstruēts.
- **Nelietojiet elektroinstrumentu, ja ar slēdzi to nevar ieslēgt un izslēgt.** Ja elektroinstrumentu nevar vadīt ar slēdzi, tas ir bīstams jāremontē.
- **Atvienojiet kontaktakšas no enerģijas avota un/vai akumulatoru no elektroinstrumenta pirms veikt jebkādas regulējumus, piederumu maiņu vai novietot glabāšanai elektroinstrumentus.** Šādi profilakses pasākumi samazina elektroierīces nejausas iedarbināšanas iespēju.
- **Glabājiet neizmantotus elektroinstrumentus bērniem nepieejamās vietās un neļaujiet neapmācītām personām darboties ar elektroinstrumentiem.** Elektroinstrumenti ir bīstami neapmācītu personu rokās.
- **Apkopt elektroinstrumentus. Pārbaudiet kustīgo detaļu savienojumu pareizību, detaļu berzi un citus apstākļus, kas var ietekmēt elektroinstrumenta darbu.** Ja elektroinstruments ir bojāts, pirms lietošanas veiciet tā remontu. Daudzus negadījumus izraisa slikti apkopti elektroinstrumenti.
- **Turiet griezējriekus asus un tīrus.** Pareizi apkopti griezējinstrumenti ar asām griezējšķautnēm retāk pielīp un ir vieglāk vadāmi.
- **Izmantojiet elektroierīci, piederumus, darbinstrumentus u.c. saskaņā ar šiem norādījumiem, ņemiet vērā darba apstākļus un**



veicamo darbu. Elektroinstrumenta izmantošana neparedzētu darbību veikšanai var radīt bīstamu situāciju.

AR AKUMULATORU DARBINĀMU IERĪČU LIETOŠANA UN KOPŠANA

- **Uzlādējiet tikai ar ražotāja noteikto lādētāju.** Lādētājs, kas paredzēts lietošanai ar viena veida akumulatoru, var būt ugunsnedrošs, ja to izmanto ar citu akumulatoru.
- **Lietojiet elektriskos instrumentus tikai ar konkrētajai ierīcei paredzēto akumulatoru.** Jebkura cita akumulatora lietošana var radīt ievainojumu un ugunsgrēka risku.
- **Kad nelietojat akumulatoru, neturiet to citu metāla priekšmetu tuvumā, piemēram: papīra saspraudes, monētas, atslēgas, naglas, skrūves vai citi sīki metāla priekšmeti, kas var veidot savienojumu starp spailēm.** Akumulatora spaiļu īsslēgums var radīt aizdegšanos vai ugunsgrēku.
- **Nepareizas rīcības gadījumā no akumulatora var izkļūt šķidrums; izvairieties no saskares ar to. Nejaušas saskares gadījumā skalojiet skarto vietu ar ūdeni. Ja šķidrums nokļūst acīs, nepieciešama arī medicīniskā palīdzība.** No akumulatora izkļuvušais šķidrums var izraisīt kairinājumu vai apdegumus.

APKOPE

- **Vai jūsu elektroinstrumentu apkalpo kvalificēts personāls, izmantojot tikai identiskas rezerves daļas.** Tas nodrošinās elektroinstrumenta drošības saglabāšanu.

NOTEIKTI DROŠĪBAS NOTEIKUMI

▲ BRĪDINĀJUMS

Izmantojot ierīci, izpildiet drošības noteikumus. Pirms darba uzsākšanas Jūsu un blakusstāvētāju drošības dēļ, lūdzu, izlasiet šos norādījumus. Lūdzu, glabājiet noteikumus drošā vietā vēlākai izmantošanai.

▲ BRĪDINĀJUMS

Šī ierīce nav paredzēta cilvēku (ieskaitot bērnus) ar ierobežotām fiziskām, sensorām vai garīgām spējām vai nepieredzējušu un neapmācītu personu lietošanai, ja vien tās nav saņēmušas norādījumus par ierīces lietošanu vai neatrodas personas, kas atbild par viņu drošību, uzraudzībā. Jāuzrauga bērni, lai nodrošinātu, ka viņi nespēlējas ar ierīci.

- Apturiet mehānismu, ja kāds ienāk darba zonā. Nekad nelietojiet iekārtu, kamēr tuvumā atrodas cilvēki, it īpaši bērni, vai dzīvnieki. Ja jums kāds tuvojas, nekavējoties apturiet iekārtu.
- Neizmantojiet mehānismu sliktos laika apstākļos, īpaši, ja iespējams negaiss.
- Lietojiet izstrādājumu dienas gaismā vai labā mākslīgā apgaismojumā.

- Nelietojiet ierīci slapjā zālē.
- Visu laiku stāviet stingri un stabili.
- Nepārvietojieties atpakaļgaitā, kad plaujat.
- Ejiet, nekādā gadījumā neskrīniet.
- Turiet trimmera galvu zem jostas līmeņa.
- Nepļaujiet citu virsmu, tikai zāli uz augsnes.
- Nekad nedarbiniet izstrādājumu ar bojātiem vai bez uzstādītiem aizsargiem.
- Nekad nepielāgojiet metāla aizvietoņtāja auklu.
- Turiet rokas un kājas tālāk no griezējdaļām visu laiku un īpaši, kad tiek ieslēgts motors.
- Rūpīgi pārbaudiet vietu, kur lietosiet ierīci un aizvāciet visus akmeņus, žaģarus, metālu, vadus, kaulus, rotaļlietas vai citus svešķermeņus.
- Izslēdziet un atvienojiet no enerģijas avota pirms:
 - apkope
 - trimmera atstāšana bez uzraudzības
 - trimmera tīrīšana
 - maināmi piederumi
 - ierīces pārbaude pēc sitiena pa priekšmetu
 - ja trimmeris sāk nepareasti vibrēt, pārbaudiet, vai tas nav bojāts
 - apkopes veikšana
- Nēsājiet aizsargbrilles.
- Sargieties no ievainojumiem no ierīcēm, kas ir piemērotas plaušanai stīgas garumā.

APKOPE

- Izmantojiet tikai oriģinālās rezerves daļas un piederumus.
- Izveidojot jaunu vālu, pirms ieslēgšanas vienmēr atgrieziet izstrādājumu tā parastajā darba stāvoklī.
- Pēc katras lietošanas reizes notīriet ar mīkstu, sausu audumu.
- Regulāri pārbaudiet visus uzgriežņus, stiprinājumus un skrūves, lai pārliecinātos, ka tās ir cieši pievilktas un izstrādājums ir drošā darba stāvoklī. Jebkura bojāta detaļa jānodod remontam vai nomaīnai pilnvarotā apkopes centrā.
- Kamēr nelietojat izstrādājumu, glabājiet to vēsā, sausā vietā, kur nevar piekļūt bērni. Neuzglabājiet ārpus telpām.

Pārbaude pēc nosviešanas vai citiem triecieniem

Rūpīgi pārbaudiet produktu un nosakiet jebkādas radušās vainas vai bojājumus. Jebkura bojāta detaļa jānodod remontam vai nomaīnai pilnvarotā apkopes centrā.

OBJEKTĪVIE RISKI

Ir ticis ziņots, ka vibrācijas no rokas instrumentiem atsevišķos cilvēkos var veicināt kaiti, ko sauc par Reino sindromu. Simptomi var ietvert pirkstu tīnkšķēšanu, nejutīgumu un nobālēšanu, parasti aukstā laikā.

Tiek uzskatīts, ka tradicionālie faktori, aukstums un mitrums, uzturs, smēķēšana un darba prakse sekmē šo simptomu attīstību. Operators var veikt pasākumus, lai





iespējami samazinātu vibrācijas efektu:

- Aukstā laikā ķermenim jābūt siltam. Darbinot ierīci, nēsājiet cimdus, lai rokas un plaukstas locītavas būtu siltas. Ir pētījumi, ka auksts laiks ir galvenais faktors, kas veicina Reino sindromu.
- Ik pēc laika apturiet darbu un veiciet vingrinājumus, kas uzlabo asins cirkulāciju.
- Strādājot jābūt biežiem pārtraukumiem. Ierobežojiet iedarbības ilgumu dienā. Ja jūs izjūtat kādu no šiem simptomiem, nekavējoties apturiet ierīces lietošanu un sazinieties ar ārstu par šiem simptomiem.

PAREDZĒTAIS LIETOJUMS

Šis produkts ir paredzēts lietošanai tikai ārā. Izstrādājums ir konstruēts zāles un nezāļu plaušanai tikai personīgā dārzā.

Rokas plaujmašīna

Izstrādājums ir paredzēts garas zāles, mīkstu nezāļu, un līdzīgas veģetācijas griešanai zemes līmenī vai tuvu tam.

Apmāju trimmeris

Šī ierīce ir paredzēta rūpīgai zāliena apmaļu apgriešanai.

Izstrādājumu nedrīkst lietot dzīvžogu, krūmu vai cita apauguma griešanai vai cirpšanai, ja griešanas plakne nav paralēla zemes virsmai.



Sargieties no izmestiem vai lidojošiem priekšmetiem. Atturiet skatītājus drošā attālumā no mašīnas.



Garantētais skaņas intensitātes līmenis



Izlietotie elektroprodukti nedrīkst tikt izmesti kopā ar mājāsaimniecības atkritumiem. Lūdzu, nododiet tos attiecīgajās atkārtošanas vietās. Sazinieties ar savu vietējo varas pārstāvi vai izplatītāju, lai noskaidrotu, kur iespējama atkārtota pārstrāde.



CE atbilstība



GOST-R atbilstība

VIDES AIZSARDZĪBA



Tā vietā, lai materiālus izmestu, nododiet tos atkārtotai realizācijai. Mašīna, aksesuāri un iepakojums ir jāsašķiro un jānodod videi draudzīgā atkārtotas pārstrādes vietā.

APZĪMĒJUMI



Drošības brīdinājums



Lai nodrošinātu drošu darbību, pirms izstrādājuma lietošanas izlasiet un saprotiet visas instrukcijas.



Lietojiet dzirdes aizsargus



Valkājiet acu aizsargaprīkojumu



Nelietojiet ierīci mitros apstākļos.



Atsietna bīstamība. Neļaujiet skatītājiem atrasties tuvāk par 15 m.

**BENDRIEJI SAUGOS ĮSPĖJIMAI****▲ ĮSPĖJIMAS**

Perskaitykite visus saugos įspėjimus ir visą instrukciją. Įspėjimų ir instrukcijų nesilaikymas gali sukelti elektros smūgį, gaisrą ir (ar) rimtus sužeidimus.

Saugokite šiuos įspėjimus ir nurodymus, kad galėtumėte vadovautis jais vėliau.

Įspėjimuose nurodytas terminas „elektrinis įrankis“ reiškia elektrinio įrankio naudojimą, jį prijungus prie maitinimo tinklo (laidu) arba maitinimo baterijos (belaidis).

DARBO APLINKA

- Darbo vieta turi būti švari ir gerai apšviesta. Nelaimingi atsitikimai įvyksta netvarkingose ar tamsiose vietose.
- Nenaudokite elektrinių įrankių, jei šalia yra degios ir sprogti galinčios medžiagos (skysčiai, dujos ar dulksės). Elektriniai įrankiai kibirkščiuoja ir gali uždegti dulkes arba garus.
- Neleiskite vaikams ir šalia esantiems asmenims būti šalia įjungto elektrinio įrankio. Išsiblaškę galite prarasti kontrolę.

ELEKTROS SAUGA

- Elektrinio įrankio kištukai turi atitikti kištukinį lizdą. Niekada nekeiskite kištuko. Su įžemintais (įžeminimo) elektriniais įrankiais niekada nenaudokite kištukų adapterių. Nepakeisti kištukai ir atitinkantys lizdai sumažina elektros smūgio pavojų.
- Stenkitės nesiliesti prie įžemintų ar įžeminimo paviršių (vamzdžių, radiatorių, grandinių / viryklių, šaldytuvų). Įžeminius savo kūną, padidėję elektros smūgio pavojus.
- Nenaudoti lyjant ar esant drėgnoms sąlygoms. Dėl vandens, patekusio į elektrinį įrankį, padidėja elektros smūgio pavojus.
- Laidą naudokite pagal jo paskirtį. Niekada jo nenaudokite elektriniams įrankiams pernešti, tempti ar išjungti. Saugokite maitinimo laidą nuo karščio, tepalų, aštrių kampų ir judančių detalių. Pažeisti ar supainioti laidai padidina elektros smūgio galimybę.
- Dirbdami su elektriniu įrankiu lauke, naudokite tik lauke naudoti skirtus ilginamuosius laidus. Naudojant tinkamą laukui laidą sumažinama elektros smūgio tikimybė.
- Jei būtina naudotis elektriniu įrankiu drėgnomis oro sąlygomis, naudokite likutinės srovės prietaisą (RCD). Naudojant RCD sumažinama elektros smūgio tikimybė.

ASMENINĖ SAUGA

- Būkite budrūs ir stebėkite, ką darote, bei sąmoningai naudokite elektrinį įrankį. Nesinaudokite įrankiu, kai esate pavargę ar paveikti narkotinių medžiagų, alkoholio ar vaistų. Neatidumas darbo su elektriniu

įrankiu metu gali sukelti sunkius sužeidimus.

- Naudokite asmeninės apsaugos įrangą. Visada dėvėkite akių apsaugos priemones. Atitinkamomis sąlygomis naudojamos apsaugos priemonės, pvz. dulkių kaukė, neslystantys apsauginiai batai, šalmas ar apsaugos ausims, sumažina asmeninių sužeidimų pavojų.
- Saugokitės, kad įrankis netyčia neįsijungtų. Įsitikinkite, kad prieš prijungiant įrankį prie maitinimo šaltinio ir (ar) baterijos, pakeliant ar nešant įrankį, jungiklis yra išjungtas. Nešant elektrinį įrankį, uždėjęs pirštą ant jungiklio, arba elektrinį įrankį, kurio jungiklis yra įjungtoje padėtyje, gali įvykti nelaimingas atsitikimas.
- Prieš įjungiant elektrinį įrankį, išimkite derinimo raktą ar veržliaraktį. Jei juos paliksite pridėtus prie besisukancios įrankio dalies, galite susižaloti.
- Nepersitempkite. Visada tvirtai stovėkite ir išlaikykite pusiausvyrą. Tai padės geriau kontroliuoti įrankį netikėtų situacijų metu.
- Dėvėkite tik darbai tinkamus drabužius. Nedėvėkite laisvų, neprigludusių drabužių ir juvelyrinių dirbinių. Saugokite plaukus, drabužius ir pirštines toliau nuo judančių dalių. Laisvi drabužiai, papuošalai ar ilgi plaukai gali įspainioti į judančias įrankio dalis.
- Jei įrengti dulkių ištraukimo ir surinkimo įrenginiai, įsitikinkite, kad jie prijungti ir naudojami tinkamai. Su dulkmėmis susijusiam pavojui sumažinti naudokite dulkių surinkimą.

ELEKTRINIO ĮRANKIO NAUDOJIMAS IR PRIEŽIŪRA

- Nenaudokite per didelės jėgos. Pritaikykite tinkamą elektrinį įrankį atliekamam darbui. Naudodami pagal paskirtį pagamintą tinkamą elektrinį įrankį, darba atliksite geriau ir saugiau.
- Nenaudokite elektrinio įrankio, jei jungiklio negalite įjungti ir išjungti. Jungikliu nevaldomas elektrinis įrankis yra pavojingas ir jį reikia taisyti.
- Prieš sureguliuojant įrankį, keičiant atsargines dalis ar sandėliavimą atjunkite laidą nuo maitinimo šaltinio ir (ar) akumulatoriaus. Tokios saugumo priemonės apsaugos nuo atsitiktinio įrankio įsijungimo.
- Laikykite elektrinį įrankį vaikams neprieinamoje vietoje ir neleiskite juo naudotis asmenims, kurie nemoka juo naudotis. Neįgudusiems asmenims elektriniai įrankiai yra pavojingi.
- Prižiūrėkite elektrinius įrankius. Patikrinkite judančių detalių nesutapimus, sukibimą, ar sumontuotos detalės nesulūžusios bei kitą būklę, kuri gali turėti neigiamos įtakos įrankio veikimui. Jei įrankis sugedęs, prieš naudojimą jį reikia suremontuoti. Nemažai nelaimingų atsitikimų įvyksta dėl netinkamai prižiūrėtų elektrinių įrankių.
- Pjovimo įrankius reikia pastoviai galąsti ir valyti. Tinkamai prižiūrėti aštriais asmenims pjovimo įrankiai mažiau stringa ir juos lengviau valdyti.
- Naudokite elektrinius įrankius, atsargines detales, grąžtus ir t. t., pagal šias instrukcijas ir atsivėlgdami ir darbo sąlygas bei turimą atlikti darbą. Naudokite elektrinį įrankį tik pagal tiesioginę paskirtį, kitaip sukelsite pavojingą situaciją.



ĮRANKIO SU AKUMULIATORIUMI NAUDOJIMAS IR PRIEŽIŪRA

- Pakartotinai kraukite prietaisą tik naudodami gamintojo nurodytą kroviklį. Vieno tipo akumuliatoriui tinkantis įkroviklis gali kelti gaisro pavojų kitokiam akumuliatoriui.
- Elektrinius įrankius naudokite tik su jiems skirtais baterijų paketais. Naudojant kitokius akumuliatorius, galima susižeisti ar sukelti gaisrą.
- Kai akumuliatorius nenaudojamas, jį laikykite toliau nuo kitų metalinių daiktų, pavyzdžiui, sąvaržėlių, monetų, raktų, vinių, varžtų ar kitų mažų metalinių daiktų, kurie vieną gnybtą gali sujungti su kitu. Sutrumpinus vieną akumuliatoriaus gnybtą su kitu, galima nusideginti arba sukelti gaisrą.
- Netinkamomis sąlygomis iš akumuliatoriaus gali ištėkėti skystis - nelieskite jo. Jei atsitiktinai prisilietėte - nuplaukite vandeniu. Jei skystis pateko į akis, papildomai kreipkitės į gydytoją. Iš akumuliatoriaus ištėkęs skystis gali nudeginti ar sukelti sudirginimus.

TECHNINIS APTARNAVIMAS

- Elektrinį įrankį turi remontuoti tik kvalifikuoti darbuotojai, kurie naudoja identiškas atsargines dalis. Tai užtikrina elektrinio įrankio saugumą.

SPECIFINĖS SAUGOS TAISYKLĖS

⚠ ĮSPĖJIMAS

Būtina laikytis saugos reikalavimų naudojantis šiuo produktu. Dėl savo pačių ir šalia esančių asmenų saugumo, perskaitykite šias instrukcijas prieš pradėdami dirbti prietaisu. Išsaugokite šią instrukciją ateičiai.

⚠ ĮSPĖJIMAS

Šis prietaisas nėra skirtas naudotis žmonėms (įskaitant vaikus) su fizine, sensorine ar protine negalia, nepakankamomis žiniomis ar patirtimi naudojantis tokiais prietaisais, nebent juos prižiūrėtų ir tinkamai naudotis šiuo prietaisu apmokytų asmuo, atsakingas už jų saugą. Pasirūpinkite, kad vaikai nežaistų su šiuo prietaisu.

- Išjunkite mašiną, jei ji darbo zoną kas nors įeity. Niekada nenaudokite šio prietaiso šalia esant kitiems asmenims, gyvūnams, o ypač vaikams. Jei prie jūsų prisartinama, įrankį nedelsiant išjunkite.
- Prietaiso nenaudokite esant blogoms oro sąlygoms, ypač jei pasireiškia žaibai.
- Naudokite šį gaminį dienos šviesoje ar esant geram dirbtiniam apšvietimui.
- Venkite naudoti ant drėgnos žolės.
- Visada tvirtai stovėkite ir išlaikykite pusiausvyrą.
- Neikite atgal dirbdami trimeriu.
- Visada eikite, niekada nebėkite.

- Trimerio galvutę visada laikykite žemiau juosmens lygmens.
- Nepjunkite kitų paviršių, išskyrus žolę ant žemės.
- Niekada nedirbkite šiuo gaminiu, jei apgadintos apsaugos arba jei apsaugos neuždėtos.
- Nenaudokite metalinių juostų.
- Prieš įjungdami variklį nestovėkite per arti žoliapjovės, saugokite rankas ir kojas.
- Gerai patikrinkite tą vietą, kurią pjausite žoliapjove bei pašalinkite visus akmenis, pagalius, metalo gabalus, laidus, kaulus, žaislus ir kitus pašalinius objektus.
- Išjunkite prietaisą iš atjunkite maitinimą prieš:
 - aptarnavimas
 - trimerio palikimas be priežiūros
 - trimerio valymas
 - priedų keitimas
 - patikrinkite, ar prietaisas neapgadintas po sutrenkimo į kitą daiktą
 - patikrinkite prietaisą dėl apgadavimo, jei trimeris pradeda neįprastai vibruoti
 - techninės priežiūros atlikimas
- Dėvėkite apsauginius akinius ar akinius su šonine apsauga.
- Atsargiai, nesusižeiskite naudodami prietaisą juostos ilgiui nupjauti.

PRIEŽIŪRA

- Naudokite tik originalias atsargines detales ir priedus.
- Kai ištrauksite naują pjaustymo liniją, visada gražinkite gaminį į jo įprastą darbinę padėtį prieš jį įjungdami.
- Po kiekvieno naudojimo, valykite minkštu sausu skudurėliu.
- Dažnai tikrinkite visas varžles, varžtus ir sraigtus, ar jie tvirtai laikosi ir ar gaminy yra saugios darbo būklės stovyje. Bet kurią apgadintą detalę leidžiama remontuoti arba keisti tik autorizuotame aptarnavimo centre.
- Nenaudojamas gaminy turi būti laikomas vėsioje sausoje vietoje, užrakintas ir apsaugotas nuo vaikų. Nelaiykite lauke.

Patikrinimas įrankiui nukritus ar po kitų smūgių

Atidžiai patikrinkite prietaisą, ar jis nepažeistas. Bet kurią apgadintą detalę leidžiama remontuoti arba keisti tik autorizuotame aptarnavimo centre.

ŠALUTINIAI PAVOJAI

Turime pranešimų, kad vibracija nuo ranka laikomų įrankių kai kuriems asmenims gali turėti neigiamos įtakos vystantis Raynaud sindromui. Šios ligos požymiai yra pirštų dilgčiojimas, nutirpimas ir pabalimas, paprastai pasireiškiantis nuo šalčio.

Šie simptomai vystosi dėl paveldimų veiksnių, nesisaugant nuo šalčio ir drėgmės, dėl mitybos, rūkymo ir darbo praktikos. Operatorius gali imtis šių priemonių, kurios gali sumažinti vibracijos poveikį:

- Apsirenkite kuo šilčiau šaltu oru. Dirbant šiuo prietaisu mūvėkite pirštines, kad paštakos ir riešai būtų laikomi



šiltai. Turime pranešimų, kad Raynaud sindromas labiausiai vystosi nuo šalto oro sąlygų.

- po darbo kiekvieną kartą pasportuokite, kad pagerėtų kraujotaka;
- dažnai darykite darbo pertraukas. Apribokite darbo laikotarpį per dieną. Jei jums pasireiškia kokie nors šios būklės simptomai, nedelsdami nutraukite darbą ir kreipkitės į gydytoją.

NAUDOJIMO PASKIRTIS

Šis prietaisas skirtas naudoti tik lauke. Šis gaminys skirtas pjauti žolę ir nedideles piktžoles privačių sodų zonose.

Žoliapjovė

Šis gaminys yra skirtas pjauti aukštą žolę, minkštas piktžoles, ir panašius augalus žemės lygyje ar prie jos.

Vejos kraštų pjaunamoji

Šis gaminys yra skirtas pjauti žolės pievų tvarkingus kraštus.

Produkto negalima naudoti pjauti ar apkarpyti gyvatvėres, krūmus ar kitus augalus, kai pjovimo plokštuma nėra lygiagreči žemės paviršiui.

APLINKOS APSAUGA



Žaliavines medžiagas perdirbkite pakartotinai, o ne išmeskite kaip atliekas. Mechanizmas, priedai ir pakuotės turi būti laikomi pakartotinai perdirbti aplinkai nekenksmingu būdu.

ŽENKLAI



Pranešimas apie saugumą



Norėdami užtikrinti saugų darbą, prieš pradėdami naudoti gaminį perskaitykite ir supraskite visus nurodymus.



Dėvėkite klausos apsaugos priemones



Dėvėkite apsauginius akinius



Venkite naudotis prietaiso drėgnose sąlygose.



Atatrankos pavojus. Visi aplinkiniai žmonės turi būti bent 15 m atstumu.



Saugokitės išmetamų arba skrendančių objektų. Įsitikinkite, kad atstumas tarp prietaiso ir pašalinių asmenų yra saugus.



Garantuotas akustinis lygis



Elektrinių produktų atliekos neturi būti metamos kartu su namų ūkio atliekomis. Prašome perdirbkite jas ten, kur yra tokios perdirbimo bazės. Dėl perdirbimo patarimo kreipkitės į savo vietinę savivaldybę ar pardavėją.



CE suderinimas



GOST-R suderinimas

**OHUTUSE ÜLDEESKIRJAD****⚠ HOIATUS**

Lugege kõik ohuhoiatused ja juhised läbi. Hoiatuste ja juhiste eiramisel on oht saada elektrilööki või raskeid kehavigastusi ning/või põhjustada tulekahju.

Hoidke kõik hoiatused ja juhised tulevikus vaatamiseks alles.

Hoiatustes kasutatav termin „elektritööriist“ tähendab mehaanilist tööriista, mis saab toidet elektrivõrgust (juhtmega) või akust (ilma juhtmata).

TÖÖKOHT

- **Hoidke töökoht puhas ja hästi valgustatud.** Korrastamata ja pimedas kohas töötamisel võivad juhtuda õnnetused.
- **Ärge kasutage elektritööriistu plahvatusohtlike keskkondades, näiteks kergestisüttivate vedelike ja gaaside läheduses ega tolmuses kohas.** Elektritööriistad tekitavad sädemeid, mis võivad tolmu või auru süüdata.
- **Elektritööriistaga töötamisel hoidke lapsed ja kõrvalised isikud eemal.** Tähelepanu hajumine korral võib teil kontroll kaduda.

ELEKTROIHUTUS

- **Elektritööriistade pistikud peavad pistikupesaga sobima.** Ärge püüdke pistiku konstruktsiooni mingil moel muuta. Ärge ühendage maanduskontaktiga (kordusmaandusega) elektritööriistu elektrivõrku läbi vahepistmike. Pistiku ja pistikupesaga konstruktsiooni muutmise korral tekib elektrilöögi oht.
- **Hoiduge kehalisest kontaktist maandatud pindadega, näiteks torud, radiaatorid, elektriliidid ja külmikud.** Kehaosade maandamisel suureneb elektrilöögi saamise oht.
- **Ärge jätke vihma kätte või kasutage niiskes kohas.** Vee sattumisel elektrilise tööriista sisemusse suureneb elektrilöögi saamise oht.
- **Ärge kasutage toitejuhet mittesihipäraselt.** Ärge kasutage toitejuhet tööriista kandmiseks, vedamiseks või pistikupesast väljatõmbamiseks. Hoidke toitejuhe eemal kuumusest, õlist, teravatest servadest ja liikuvatest osadest. Vigastatud või keerduv toitekaablid suurendavad elektrilöögi ohtu.
- **Väljas töötamisel kasutage välistingimustes kasutamiseks sobivaid pikendusjuhtmeid.** Välistingimustele sobiva pikendusjuhtme kasutamine vähendab elektrilöögi ohtu.
- **Kui elektritööriistaga töötamine niisketes oludes on välistatud, siis kasutage rikkevoolu-kaitselülitiga (RCD) kaitsitud vooluvõrku.** RCD kasutamine vähendab elektrilöögi ohtu.

ISIKUKAITSE

- **Mehaanilise tööriistaga töötamisel jälgige tööpiirkonda ja kasutage sealjuures tervet**

mõistust. Ärge kasutage tööriista siis, kui te olete väsinud, uimastite, alkoholi või ravimite mõju all. Hetkeline tähelepanu hajumine tööriista kasutamise ajal võib põhjustada raske kehavigastuse.

- **Kasutage isikukaitsevahendeid. Kandke alati silmakaitsevahendeid.** Kui tööolud seda nõuavad, tuleb kasutada isikukaitsevahendeid, näiteks tolmumaski, libisemiskindlaid turvajalatsaid, kiivrit ja kuulmiskaitsevahendeid, mis kehavigastuste riski vähendavad.
- **Vältige tahtmatut käivitumist. Enne toitejuhtme või aku ühendamist, tööriista kätevtõstmist või teisaldamist veenduge, et tööriista lüliti on välja lülitatud.** Õnnetuste vältimiseks ärge hoidke tööriista kandmise ajal sõrme lülituspulki ega ühendage tööriista toitevõrku siis, kui lüliti on sisse lülitatud.
- **Enne tööriista sisselülitamist eemaldage sellelt reguleerivõti või mutrivõti.** Elektritööriista külge jäetud reguleerivõti või mutrivõti võivad põhjustada raske kehavigastuse.
- **Ärge kummardage. Hoidke end pidevalt jalgadel ja tasakaalus.** Siis on teil ootamatu olukorra tekkimisel tööriista üle parem kontroll.
- **Kandke tööks sobivat riietust. Ärge kandke lõtvu riideid ja ehteid.** Hoidke juuksed, riietusesemed ja töökindad liikuvatest osadest eemal. Lõdvad riietusesemed, ehted ja pikad juuksed võivad haakuda liikuvate osade külge.
- **Kui tööriistal tuleb kasutada tolmu eraldamis- või kogumisseadist, siis veenduge, et need on ühendatud ja nõuetekohases kasutuses.** Tolmukoguri kasutamisega saab vähendada tolmu teket ohtusid.

ELEKTROTÖÖRIISTA KASUTAMINE JA KORRASHOID

- **Ärge kasutage töötamisel liigest jõudu.** Kasutage tööks sobivat elektritööriista. Õigesti valitud elektritööriist töötab ettenähtud võimsuspiirkonnas paremini ja ohutumalt.
- **Ärge kasutage elektritööriista, kui lüliti ei lülita seda sisse ja välja.** Lülitiga lülitamatu tööriista kasutamine on ohtlik ja see tuleb lasta ära remontida.
- **Enne tööriista reguleerimist, varikute vahetamist või hoiumist võtke toitejuhe pistikupesast välja või eemaldage aku.** Need ennetavad ohusuurendavate vahendavate tööriista tahtmatu käivitumise riski.
- **Hoidke kasutuses mitteolevaid elektritööriistu lastele kättesaamatus kohas ja ärge lubage elektritööriista mitte tundvaid või kasutusjuhendiga mitte tutunud isikuid elektritööriista kasutada.** Oskamatu kasutaja käes olev elektritööriist on ohtlik.
- **Mehaaniliste elektritööriistade hooldus.** Kontrollige liikuvate osade mittesentreeritust ja kinnitumist, osade vigastusi ning tehke kindlaks muud seisundid, mis võivad mõjustada elektritööriista tööd. Kui mõni osa on vigastatud, siis laske elektritööriist enne kasutamist ära parandada. Halvasti hooldatud elektritööriistad põhjustavad palju õnnetusi.
- **Hoidke lõiketerad teravad ja puhtad.** Teravate lõiketeradega ja nõuetekohaselt hooldatud lõikeriistad



jäävad harvemini kinni ning neid on kergem kontrolli all hoida.

- **Tööriistade, tarvikute, otsakute ja muude lisaseadmete kasutamisel** juhinduge nende kasutusjuhenditest, võttes arvesse tehtavat tööd ja tööolusid. Tööoperatsiooniks mitte ettenähtud tööriista kasutamine võib tekitada ohtliku olukorra.

AKUTÖÖRIISTA KASUTAMINE JA KORRASHOID

- **Laadige akut ainult tootja poolt ettenähtud laadijaga.** Akulaadija, mis sobib ühele akupaketile võib põhjustada tulekahju, kui seda kasutada teise akupaketiga.
- **Kasutage akutööriista ainult selleks ettenähtud akudega.** Muude akupakettide kasutamine võib põhjustada kehavigastusi või tulekahju.
- **Sel ajal kui akupakett ei ole kasutusel, hoidke seda eemal metallesemetest nagu kirjaklambrid, mündid, võtmed, naelad, kruvid ja muudest väikestest metallobjektidest, mis võivad akuklemmid lühistada.** Aku klemmide lühistamine võib põhjustada põletust või tulekahju.
- **Aku vale kasutamise korral võib akuvedelik välja voolata - vältige sellega kokkupuudet. Akuvedeliku nahale sattumisel peske see veega maha. Akuvedeliku silma sattumisel pöörduge arsti poole.** Väljapritsv akuveelik võib tekitada nahaärritust või põletust.

TEENINDAMINE

- **Laske oma elektrilist tööriista hooldada väljaõppinud teenindustöötajal; remontimisel tohib kasutada ainult originaalvaruosi.** See tagab elektriseadme ohutuse.

OHUTUSE ERINÕUDED

⚠ HOIATUS

Seadme kasutamisel tuleb järgida ohutusreegleid. Teie ja kõrvalseisjatele ohutuse tagamiseks lugege käesolevaid juhiseid enne seadme kasutamist läbi. Hoidke juhend edaspidiseks kasutamiseks alles.

⚠ HOIATUS

Seadme kasutamine on keelatud nendel isikutel (kaasa arvatud lapsed), kellel on piiratud füüsilised, sensoorsed või vaimsed võimed ning kogemusteta ja väljaõppeta isikutel, välja arvatud siis, kui nad on kasutamise ajal nende ohutuse eest vastutava isiku järelevalve või juhendamise all. Laste järele tuleb valvata, et nad seadmega ei mängiks.

- Kui keegi tööpiirkonda siseneb, siis lõpetage töötamine. Ärge kasutage seadet, kui läheduses on teisi inimesi, eriti lapsi või lemmikloomi. Kui olete enda välja küünitanud, seisake seade viivitamatult.
- Vältige seadme kasutamist halva ilmaga, eriti siis kui on äikese oht.

- Kasutage toodet päeavalguse või hea tehisvalguse korral.
- Vältige märjas rohus kasutamist.
- Hoidke end pidevalt jalgadel ja tasakaalus.
- Ärge liikuge trimmimisel tagurpidi.
- Töötamisel kõndige, ärge kunagi jookske.
- Hoidke trimmeripead allapoole vööd.
- Ärge kasutage mujal kui maapinnal kasvava rohu trimmimiseks.
- Ärge kunagi kasutage toodet kui kaitse on vigastatud või ei ole oma kohale paigaldatud.
- Ärge paigaldage metallist asendustera.
- Hoidke jalad ja käed alati eemal löikepeast ja eriti siis, kui lülitate mootori sisse.
- Kontrollige muruniiduki kasutamise ala hoolikalt üle ja eemaldage kõik kivid, vaiad, metallesemed, traat, kondid, mänguasjad ning muud esemed.
- Lülitage seade välja või ühendage vooluvõrgust lahti enne kui teete järgmist:
 - teenindamine
 - trimmeri jätmisel järelevalveta
 - trimmeri puhastamine
 - lisatarvikute vahetamine
 - kõikide vigastuste ülekontrollimine pärast lööki mõne eseme vastu
 - kõikide vigastuste ülekontrollimine kui trimmer hakkab ebanormaalselt vibreerima
 - hooldustööde tegemine
- Kandke kaitseprille ja silmamaski.
- Olge ettevaatlik, et end mitte vigastada jõhvi mahalõiketeraga.

HOOLDUS

- Kasutage ainult originaalvaruosi ja tarvikuid.
- Pärast uue trimmerijõhvi pikendamist seadke toode enne sisselülitamist tavatöösensidisse.
- Pühkige pärast iga kasutuskorda pehme kuiva lapiga puhtaks.
- Kontrollige kõiki mutreid, polte ja kruvisid sagedaste intervallidega õige pinguloleku suhtes, et veenduda toote ohutus töökorras olemises. Vigastatud osad tuleb lasta pädeval hooldajal parandada või asendada.
- Kui toodet ei kasutata, siis tuleb seda hoida kuivas ja lukustatud ruumis, lastele kättesaamatus kohas. Ärge hoiustage õues.

Kontrollige pärast mahakukkumist või saadud lööki

Kontrollige saag hoolikalt üle ja tehke kindlaks võimalikud rikked ja vigastused. Vigastatud osad tuleb lasta pädeval hooldajal parandada või asendada.

JÄÄKRISKID

Teadaolevalt võib käsitööriistade kasutamine põhjustada mõnedel inimestel seisundit, mida nimetatakse Raynaud' sündroomiks. Sümptomidena võib ilmneda sõrmede tuimus ja valkjaks muutumine, mis tavaliselt ilmneb külmas



töötamisel.

Nende sümptomite puhul tuleb hoiduda külmast ja niiskusest, dieedist ning suitsetamisest ja kasutada õigeid töövõtteid. Vibratsiooni mõju vähendamiseks tuleb rakendada järgmisi abinõusid.

- Külma ilmaga hoidke oma keha soe. Kandke kindaid, et hoida oma käed ja randmed soojad. Uuringud näitavad, et Raynaud's Syndrome ilmneb põhiliselt külma ilmaga.
- Pärast külmas töötamist tehke harjutusi, et vererlustust kiirendada.
- Tehke regulaarselt töovaheaegasid. Piirake tööperioodi pikkust. Kui ilmnevad haigustunnused, lõpetage kohe töö ja pöörduge arsti poole.

OTSTARBEKOHANE KASUTAMINE

See toode on ette nähtud kasutamiseks vaid väljaspool ruume. Toode on ette nähtud rohu ja kerge umbrohu lõikamiseks kodusõuades.

Trimmer

See seade on ette nähtud pika rohu, umbrohu, ja sarnaste taimede lõikamiseks maapinnal või selle lähedal.

Servaja

See seade on ette nähtud muruväljakute servade täpseks niitmiseks.

See seade ei ole ette nähtud hekkide, pöösaste või muude taimede lõikamiseks lõiketapinnas, mis ei ole maapinnaga paralleelne.

KESKKONNAKAITSE



Toomaterjalid utiliseerige jäätmetega koos. Masin, selle lisaseadmed ja pakend tuleb jäätmekäitluseks keskkonnasõbralikult sorteerida.

SÜMBOLID



Ohutusalane teave



Ohutuse tagamiseks lugege enne toote kasutamist kõik juhised läbi ja veenduge, et olete neist aru saanud.



Kandke kuulmise kaitsevahendeid



Kandke silmakaitsevahendeid



Vältige kasutamist märgades ja niisketes tingimustes.



Väljapaiskumise oht. Hoidke kõik kõrvalseisjad vähemalt 15 m kaugusel.



Hoiduge ülespaisatud ja lendavate esemete eest.
Hoidke kõrvalseisjad masinast ohutus kauguses.



Garanteeritud helivõimsuse tase



Mittekasutatavaid elektritooteid ei tohi visata olmejäätmete hulka. Vaid tuleb viia vastavasse kogumispunkti. Vajadusel küsige sellekohast nõu oma edasimüüjalt või vastavalt kohaliku omavalitsuse institutsioonilt.



CE vastavus



GOST-R vastavus



OPĆA SIGURNOSNA PRAVILA

⚠ UPOZORENJE

Pročitajte sva sigurnosna upozorenja i sve upute. Nepridržavanje upozorenja i uputa može izazvati strujni udar, požar i/ili ozbiljne ozljede.

Sačuvajte ova upozorenja i upute kako biste ih naknadno mogli konzultirati.

Pojam „električni alat“ u upozorenjima odnosi se na vaš glavni alat (napajanje preko kabela) ili električni alat koji se napaja preko baterije (bez kabela).

RADNA OKOLINA

- **Držite radni prostor čistim i dobro osvijetljenim.** Zatrpani i neosvijetljeni radni prostori izazivaju nezgode.
- **Nemojte rukovati električnim alatima u eksplozivnim atmosferama u kojima su prisutne zapaljive tekućine, plinovi ili prašina.** Električni alati stvaraju iskre koje mogu zapaliti prašinu ili pare.
- **Tijekom rada s električnim alatom držite podalje djecu i promatrače.** Ometanje može dovesti do toga da izgubite kontrolu.

ELEKTRIČNA SIGURNOST

- **Utikači električnog alata moraju odgovarati utičnici.** Nikada nemojte modificirati utikače ni na koji način. Nemojte koristiti nikakve adapter utikače s uzemljenim električnim alatima. Originalni utikači i odgovarajuće utičnice smanjuju opasnost od strujnog udara.
- **Izbjegavajte kontakt tijela s uzemljenim površinama poput cijevi, radijatora, štednjaka i hladnjaka.** Ako je vaše tijelo uzemljeno, povećava se opasnost od strujnog udara.
- **Ne izlažite kiši ili vlažnim uvjetima.** Ulazak vode u električni alat povećava opasnost od strujnog udara.
- **Nemojte zlorabiti kabel.** Nikada nemojte koristiti kabel za nošenje, povlačenje ili isključivanje električnog alata. Držite kabel podalje od topline, ulja, oštih rubova ili pokretnih dijelova uređaja. Oštećeni ili zapleteni kabeli povećavaju opasnost od strujnog udara.
- **Kada radite s električnim alatom na otvorenom, koristite produžni kabel prikladan za rad na otvorenom.** Korištenje kabela prikladnog za rad na otvorenom smanjuje opasnost od strujnog udara.
- **Ako se ne može izbjeći rad s električnim alatom u vlažnoj lokaciji koristite FID sklopku (RCD uređaj) za zaštitu napajanja.** Korištenje RCD uređaja smanjuje opasnost od električnog udara.

OSOBNA SIGURNOST

- **Budite na oprezu, gledajte to što radite i pri radu s električnim alatom koristite zdrav razum.** Nemojte koristiti električni alat kad ste umorni ili pod utjecajem droge, alkohola ili lijekova. Trenutak nepažnje pri radu s električnim alatima može dovesti do

teških osobnih ozljeda.

- **Koristite osobnu zaštitnu opremu. Uvijek nosite zaštitna sredstva za oči.** Zaštitna oprema poput maske za prašinu, zaštitna obuća sa zaštitom od klizanja, kaciga ili zaštita za uši koja se koristi u odgovarajućim uvjetima smanjuje osobne ozljede.
- **Spriječite slučajno pokretanje. Osigurajte da je prije priključivanja na izvor napajanja i/ili baterije, podizanja ili nošenja alata, sklopka u položaju OFF (isključeno).** Nošenje električnog alata s vašim prstom na sklopki ili uključivanje električnih alata sa sklopkom postavljenom na položaj on (uključeno) dovodi do nezgoda.
- **Prije uključivanja električnog alata uklonite sve klinove za podešavanje i ključeve.** Ključ ili klin ostavljen priključen na rotirajućem dijelu električnog alata može dovesti do osobne ozljede.
- **Ne sežite preko određene granice. Cijelo vrijeme držite pravilno uporište i ravnotežu.** Ovo u neočekivanim situacijama omogućuje bolju kontrolu nad električnim alatom.
- **Pravilno se odjenite. Nemojte nositi široku odjeću ili nakit. Kosu, odjeću i rukavice držite podalje od pokretnih dijelova.** Široka odjeća, nakit ili dugačka kosa mogu biti zahvaćeni u pokretne dijelove alata.
- **Ako su uređaji opremljeni s priključkom aparata za odvajanje i prikupljanje prašine, osigurajte da su oni priključeni i pravilno korišteni.** Korištenje uređaja za sakupljanje prašine smanjuje opasnosti vezane uz prašinu.

KORIŠTENJE I BRIGA O ELEKTRIČNOM ALATU

- **Nemojte proizvod koristiti iznad njegovih mogućnosti.** Za vašu primjenu koristite točan električni alat. Točan električni alat bolje će i sigurnije uraditi posao u odnosu za što je namijenjen.
- **Nemojte koristiti električni alat ako ga sklopka pravilno ne uključuje i isključuje.** Svaki električni alat koje se ne može kontrolirati pomoću sklopke je opasan i mora se popraviti.
- **Prije nego što izvršite bilo kakva podešavanja, zamijenite dodatni pribor ili pohranite električne alate, odspojite utikač iz izvora napajanja i/ili bateriju iz električnog alata.** Ovakve preventivne sigurnosne mjere smanjuju opasnost od slučajnog pokretanja električnog alata.
- **Električne alate pohranite u stanju mirovanja izvan dohvata djece i ne dopustite rad s električnim alatom osobama koje nisu upoznate s električnim alatom ili ovim uputama.** Električni alati su opasni u rukama nestručnih korisnika.
- **Održavanje električnih alata.** Provjerite radi pogrešnog poravnjanja ili savijanja pokretnih dijelova, puknuća dijelova i drugih uvjeta koji mogu utjecati na rad električnog alata. Ako je oštećen, električni alat prije korištenja popravite. Većina nezgoda uzrokovano je od strane električnih alata koji su slabo održavani.
- **Rezne alate držite oštirim i čistim.** Pravilno održavanim reznim alatima s oštirim rubovima za rezanje, manja je vjerojatnost zahvaćanja i lakše se kontroliraju.



- **Koristite električni alat, pribor i dijelove alata itd., u skladu s ovim uputama i uzevši u obzir radne uvjete i rad koji treba izvršiti.** Korištenje električnog alata za radove drugačije od njegove namjene može dovesti do opasne situacije.

KORIŠTENJE I BRIGA O AKU ALATU

- **Punite samo s punjačem navedenim od proizvođača.** Punjač koji je prikladan za jednu vrstu baterija može dovesti do opasnosti od požara kada se koristi s drugom baterijom.
- **Koristite AKU alate samo s posebno naznačenim baterijama.** Korištenje bilo kojih drugih baterija dovodi do opasnosti od ozljeda i požara.
- **Kada se baterija ne koristi držite je dalje od drugih metalnih predmeta kao što su spajalice za papir, kovanice, ključevi, čavli, vijci ili drugi mali metalni predmeti koji mogu spojiti jedan pol na drugi.** Kratki spoj polova baterije može izazvati opekotine ili požar.
- **Pod uvjetima loma može doći do izbacivanja tekućine iz baterije, izbjegavajte kontakt. Ako dođe do nehotičnog kontakta, isperite to mjesto s vodom. Ako tekućina dospije u oči, dodatno potražite liječničku pomoć.** Tekućina koja istječe iz baterije može dovesti do iritacije ili opekotina.

ODRŽAVANJE

- **Neka vaš električni alat servisira kvalificirana osoba za popravak koristeći samo identične zamjenske dijelove.** Ovo će osigurati da se održi sigurnost električnog alata.

POSEBNA SIGURNOSNA PRAVILA

⚠ UPOZORENJE

Prilikom korištenja proizvoda moraju se slijediti sigurnosna pravila. Radi vaše i sigurnosti ostalih promatrača, molimo vas da prije rada s proizvodom pročitate ove upute. Molimo vas da čuvate ove upute radi kasnijeg korištenja.

⚠ UPOZORENJE

Ovaj uređaj nije namijenjen korištenju od strane osoba (uključujući djecu) smanjenih tjelesnih, osjetilnih ili mentalnih mogućnosti ili osobama koje ne raspolažu iskustvom ili znanjem osim ako nisu pod nadzorom osobe odgovorne za njihovu sigurnost i rade po uputama koje se odnose na korištenje uređaja. Djecu je potrebno nadzirati kako bi se osiguralo da se ne igraju s uređajem.

- Zaustavite uređaj ako bilo tko uđe u područje rada. Nikada ne radite s uređajem dok su u blizini ljudi, osobito djeca ili kućni ljubimci. Ako prilazite, odmah zaustavite jedinicu.
- Izbjegavajte korištenje uređaja u lošim vremenskim uvjetima, posebice ako postoji opasnost od grmljavine.
- Koristite proizvod po dnevnom svjetlu ili pri dobroj vještačkoj rasvjeti.

- Izbjegavajte koristiti na mokroj travi.
- Cijelo vrijeme držite pravilno uporište i ravnotežu.
- Ne hodajte unatrag dok kosite.
- Hodajte, nemojte trčati.
- Držite glavu trimera ispod razine pojasa.
- Nemojte rezati na površinama osim na travi na zemlji.
- Nikada nemojte raditi s proizvodom s oštećenim štitnicima ili bez postavljenih štitnika.
- Nikada ne stavljajte metal umjesto silka.
- Sve vrijeme držite ruke i noge podalje od sredstva za šišanje, a posebno kada se uključuje motor.
- Temeljito provjerite područje gdje će se uređaj koristiti i uklonite svo kamenje, štapove, metal, žicu, kosti, igračke ili druge strane predmete.
- Ugasite i isključite iz napajanja prije:
 - servisiranje
 - ostavljanje trimera bez nadzora
 - čistite svoj trimer
 - promjena dodatnog pribora
 - provjerite za bilo kakvo oštećenje nakon odbacivanja predmeta
 - provjerite za bilo kakvo oštećenje ako trimer počne abnormalno vibrirati
 - izvođenje održavanja
- Nosite zaštitne ili naglavne naočale.
- Pazite da ne dođe do ozljeda od bilo kojeg uređaja za šišanje trave radi duljine flaksa.

ODRŽAVANJE

- Koristite samo originalne zamjenske dijelove i dodatni pribor.
- Nakon produljenja novog flaksa prije uključivanja uvijek proizvod vratite u njegov uobičajeni radni položaj.
- Nakon svake uporabe obrišite sa suhom mekom krpom.
- Često provjeravajte sve matice i zavrtnje da li su dobro pritegnuti kako biste bili sigurni da je proizvod u sigurnom radnom stanju. Svaki oštećeni dio trebao bi biti pravilno popraviti ili zamijeniti ovlaštenu servisni centar.
- Kada se ne koristi proizvod treba skladištiti na suhom i zaključanom mjestu izvan dosega djece. Ne ostavljajte na otvorenom.

Provjerite nakon pada ili drugih udara

Temeljito provjerite proizvod i identificirajte sve utjecaje ili oštećenja. Svaki oštećeni dio trebao bi biti pravilno popraviti ili zamijeniti ovlaštenu servisni centar.

OSTALE OPASNOSTI:

Prijavljeno je da vibracije alata koje se drži u ruci kod određenih pojedinaca mogu doprinijeti stanju pod nazivom Raynaud's Syndrome. Simptomi mogu uključivati trnce, ukočenost i bjelinu prstiju, obično uočljivo po izlaganju hladnoći.

Smatra se da nasljedne osobine, izlaganje hladnoći i vlazi, dijeta, pušenje i radni postupci pridonose razvoju ovih simptoma. Postoje mjere koje operator može poduzeti kako





bi smanjio moguću učinke vibracije:

- Održavajte svoje tijelo toplim u hladnim vremenskim uvjetima. Kad radite s uređajem nosite rukavice kako biste ruke i zglobove održavali toplima. Prijavljeno je da je hladnoća glavni čimbenik koji doprinosi Raynaud's Syndrome.
- Nakon svakog perioda rada vježbajte kako biste povećali cirkulaciju krvi.
- Uzimajte česte stanke u radu. Ograničite količinu izlaganja po danu. Ako osjetite neke od simptoma ovog stanja, odmah prekinite korištenje i obratite se svome liječniku vezano uz ove simptome.

NAMJENA

Ovaj uređaj namijenjen je samo za korištenje na otvorenom. Proizvod je namijenjen za rezanje trave i sitnog korova u području privatnih vrtova.

Šišač

Ovaj proizvod namijenjen je za rezanje visoke trave, korova, i slične vegetacije na ili oko razine tla.

Trimer za oblikovnje

Proizvod je namijenjen za rezanje skladnih rubova na travnjacima.

Proizvod se ne smije koristiti za rezanje ili obrezivanje živica, žbunja ili druge vegetacije gdje površina rezanja nije paralelna s površinom tla.

ZAŠTITA OKOLIŠA



Sirovine reciklirajte, umjesto da ih bacate među kućni otpad. Kako biste zaštitili okoliš, alat, dodatke i ambalažu treba odvojeno bacati u otpad.

SIMBOLI



Sigurnosno upozorenje



Za siguran rad pročitajte i shvatite sve upute za rad prije korištenja proizvoda.



Nosite zaštitu za sluh



Nosite sredstva za zaštitu očiju



Izbjegavajte korištenje u vlažnim ili mokrim uvjetima.



Opasnost od odbitka. Držite sve promatrače na udaljenosti od najmanje 15 m.



Čuvajte se odbačenih ili letećih predmeta.

Čuvajte promatrače na sigurnoj udaljenosti od uređaja.



Jamčena razina zvučne snage



Otpadni električni proizvodi ne treba da se odlažu s otpadom iz domaćinstva.

Molimo da reciklirate gdje je to moguće. Potražite savjet od lokalnih vlasti ili prodavca kako reciklirati.



Sukladno CE



Sukladno GOST-R

**SPLOŠNA VARNOSTNA OPOZORILA****⚠ OPOZORILO**

Preberite vsa varnostna opozorila in navodila. Zaradi neupoštevanja opozoril in navodil lahko pride do električnega udara, požara in/ali resnih poškodb.

Shranite vsa opozorila in navodila za kasnejšo uporabo.

Izraz »električno orodje« v opozorilih se nanaša na orodja, ki jih poganja električni tok (žična), ali na akumulatorska (brezžična) orodja.

DELOVNO OBMOČJE

- Delovno območje naj bo čisto in dobro osvetljeno. V neurejenih in temnih območjih se rade zgodijo nesreče.
- Električnih orodij ne uporabljajte v eksplozivnih okoljih npr. v bližini vnetljivih tekočin, plinov ali prahu. Električna orodja proizvajajo iskre, ki lahko vnamejo prah ali hlape.
- Med uporabo električnega orodja v bližino ne pustite otrok in drugih ljudi. Zaradi zmanjšane koncentracije lahko izgubite nadzor.

ELEKTRIČNA VARNOST

- Vtiči električnih orodij se morajo prilegati vtičnicam. Vtiča nikoli in na noben način ne smete spreminjati. Z ozemljenimi električnimi orodji ne uporabljajte adapterjev vtiča. Nespremenjeni vtiči in ustrezne vtičnice zmanjšajo tveganje električnega udara.
- Izogibajte se telesnemu stiku z ozemljenimi površinami, kot so cevi, radiatorji, kuhalniki in hladilniki. Če je vaše telo ozemljeno, obstaja povečano tveganje električnega udara.
- Ne izpostavljajte ga dežju ali vlagi. Voda v električnem orodju znatno poveča tveganje električnega udara.
- Kabla ne uporabljajte za neustrezne namene. Kabla nikoli ne uporabljajte za prenašanje, vleko ali izklop električnega orodja. Pazite, da kabel ne pride v stik z vročino, oljem, ostrimi robovi ali gibljivimi deli. Poškodovani ali zapleteni kabli zvišujejo tveganje električnega udara.
- Med uporabo električnega orodja na prostem uporabljajte podaljševalni kabel, ki je primeren za zunanjo uporabo. Uporaba kabla, primernega za zunanjo uporabo, znižuje tveganje električnega udara.
- Če je delo z električnim orodjem v vlažnem okolju neizogibno, uporabite tokovno zaščitno stikalo (RCD). Uporaba naprave RCD zmanjša tveganje za električni udar.

OSEBNA VARNOST

- Med obratovanjem bodite pozorni, spremljajte potek dela in uporabljajte zdrav razum. Električnega orodja ne uporabljajte, ko ste utrujeni oz. pod vplivom drog, alkohola ali zdravil. Trenutek nepazljivosti med uporabo električnega orodja lahko povzroči hude telesne poškodbe.

- Uporabljajte osebno zaščitno opremo. Vedno nosite zaščito za oči. Če v različnih okoliščinah nosite ustrezno zaščitno opremo, kot so maska proti prahu, obutev z nedersečim podplatom, trdno pokrivalo glave in zaščita za sluh, zmanjšate možnost telesnih poškodb.
- Preprečite neželen zagon. Preden orodje priključite na vir napajanja, vstavite baterije, ga vzamete v roke ali prenašate, se prepričajte, da je stikalo v izključenem položaju. Prenašanje električnih orodij, tako da prst držite na stikalu, ali dovajanje napajanja električnim orodjem, pri katerih je stikalo v položaju »on (vklop)« poveča tveganje nesreč.
- Pred vklopom električnega orodja odstranite morebitne nastavitvene ključe ali izvijače. Izvijač ali ključ, ki ostane pritrdjen na vrtiljivi del električnega orodja, lahko povzroči telesne poškodbe.
- Nesiahajte priliš daleko. Pazite, da stojite stabilno in da imate ravnotežje. To omogoča boljši nadzor nad električnim orodjem v nepričakovanih situacijah.
- Bodite primerno oblečeni. Ne nosite ohlapnih oblačil ali nakita. Pazite, da lasje, oblačila in rokavice ne pridejo v bližino gibljivih delov. Ohlapna oblačila, nakit ali dolgi lasje se lahko zapletejo v gibljive dele.
- Če so naprave namenjene priključitvi na pripomočke za sesanje in zbiranje prahu, se prepričajte, da so ti priključeni in ustrezno uporabljeni. Uporaba biralca prahu lahko zmanjša nevarnosti, povezane s prahom.

UPORABA IN NEGA ELEKTRIČNEGA ORODJA

- Izdelka ne preobremenjujte. Uporabite električno orodje, ki ustreza vašemu delu. Ustrezno električno orodje bo nalogo opravilo bolje in varneje v kategoriji, za katero je bilo zasnovano.
- Ne uporabljajte električnega orodja, če ga stikalo ne vklopi ali izklopi, kot bi bilo treba. Kakršno koli električno orodje, ki ga ni mogoče nadzirati s stikalom, je nevarno in ga je potrebno popraviti.
- Odklopite vtič z vira napajanja in/ali baterije, preden opravljate kakršne koli prilagoditve, menjate dodatke ali shranjujete električno orodje. Tovrstni preventivni varnostni ukrepi zmanjšajo možnost slučajnega zagona električnega orodja.
- Električna orodja, ki niso v uporabi, shranjujte izven dosega otrok in ne dovolite, da bi električno orodje uporabljale osebe, ki niso seznanjene z električnim orodjem ali s temi navodili. Električna orodja so v rokah neusposobljenih uporabnikov nevarna.
- Električna orodja redno vzdržujte. Preverite, če so gibljivi deli napačno poravnani ali zaskočeni, če so sestavni deli polomljeni ali če obstaja kakršno koli druge stanje, ki lahko vpliva na varno delovanje električnega orodja. Če je električno orodje poškodovano, ga pred ponovno uporabo dajte v popravilo. Številne nesreče zakrivijo neustrezno vzdrževana električna orodja.
- Rezalna orodja naj bodo vedno nabrušena in čista. Pravilno vzdrževana rezalna orodja z ostrimi rezili se težje zaskočijo in jih je lažje nadzirati.
- Električno orodje, dodatke, nastavke za orodje itd. uporabljajte v skladu s temi navodili ter upoštevajte



delovne pogoje in vrsto dela, ki ga boste izvajali. Uporaba električnega orodja za namene, ki so drugačni od tistih, za katere je bilo orodje zasnovano, lahko povzroči nevarne situacije.

UPORABA IN VZDRŽEVANJE BATERIJSKEGA ORODJA

- **Baterijo polnite le s polnilnikom, ki ga določa proizvajalec.** Polnilnik, ki ustreza eni vrsti baterij, morda lahko povzroči požar, če z njim polnite drugo vrsto baterij.
- **Baterijska orodja uporabljajte samo s predpisano vrsto baterij.** Uporaba katerih koli drugih baterij ustvari tveganje poškodb in požara.
- **Ko baterije ne uporabljajte, pazite, da bo odmaknjena od kovinskih predmetov, kot so papirne sponke, kovanci, ključi, željni, vijaki ali drugih majhni kovinski predmeti, ki bi lahko povzročili povezavo med obema terminaloma.** Kratak stik zaradi povezanih terminalov baterije lahko povzroči opekline ali požar.
- **Ob zlorabi baterije lahko iz nje steče tekočina. Če se po nesreči dotaknete tekočine, mesto dotika sperite z vodo. Če pride tekočina v stik z očmi, poiščite zdravstveno pomoč.** Tekočina, ki izteče iz baterije, lahko povzroči vnetje ali opekline.

SERVISIRANJE

- **Električno orodje naj servisira usposobljena oseba, uporabljati pa sme le originalne nadomestne dele.** To bo zagotovilo vzdrževanje varnostni električnega orodja.

POSEBNA VARNOSTNA OPOZORILA

⚠ OPOZORILO

Med uporabo stroja upoštevajte varnostna navodila. Za svojo varnost in varnost drugih oseb preberite ta navodila pred uporabo izdelka. Prosimo, shranite ta navodila za kasnejšo rabo.

⚠ OPOZORILO

Naprava ni namenjena uporabi s strani oseb (vključno z otroki), ki imajo pomanjkljive fizične ali mentalne zmogljivosti, premalo izkušenj in znanja, razen če te niso bile nadzorovane ali ustrezno podučene o uporabi s strani osebe, ki je odgovorna za njihovo varnost. Otroke nenehno nadzorujte, da se ne bodo igrali z napravo.

- Če kdorkoli vstopi v delovno območje, zaustavite napravo. Če so v bližini ljudje, še posebej otroci ali domače živali, naprave ne uporabljajte. Če se vam kdo približa, enoto takoj izključite.
- Naprave ne uporabljajte ob slabem vremenu, zlasti ko se lahko pojavljajo strele.
- Uporabljajte izdelek pri dnevnih svetlobi ali dobri umetni svetlobi.

- Ne uporabljajte v mokri travi.
- Pazite, da stojite stabilno in da imate ravnotežje.
- Med obrezovanjem ne hodite vzvratno.
- Vedno hodite, nikoli ne tecite.
- Glavo obrezovalnika imejte nenehno pod višino pasu.
- Ne režite po površinah, ki niso trava na tleh.
- Izdelka nikoli ne uporabljajte, če je varovalo poškodovano ali če ni nameščeno.
- Nikoli ne nameščajte kovinske nadomestne nitke.
- Roke in noge stalno držite proč od rezalnih delov, še posebej ko izklapljate motor.
- Temeljito preglejte delovno površino in odstranite vse kamne, palice, kovino, žice, kosti, igračke ali druge predmete.
- Ugasnite in izključite električno napajanje, preden:
 - servisiranje
 - pustiti obrezovalnik brez nadzora
 - čiščenje obrezovalnika
 - menjava dodatkov
 - preverjanje glede poškodb, ko zadenete predmet
 - preverjanje glede poškodb, če obrezovalnik začne neobičajno vibrirati
 - vzdrževanje
- Nosite zaščitna očala.
- Pazite, da se ne poškodujete z napravami za rezanje najlonske vrvice.

VZDRŽEVANJE

- Uporabljajte le originalne rezervne in nadomestne dele.
- Po menjavi najlonske vrvice vedno preklopite izdelek v normalno delovno stanje, preden ga vključite.
- Po vsaki uporabi očistite z mehko in suho krpo.
- Pogosto preverjajte, ali so vse matice in vijaki dobro priviti in tako zagotovite varno delovno stanje izdelka. Vsak poškodovani del mora ustrezno popraviti ali zamenjati pooblaščen servisni center.
- Ko izdelka ne uporabljate, ga shranite na suho mesto in zaklenite, da otroci ne bodo imeli dostopa. Ne shranjujte na prostem.

Pregled, če naprava pade ali prejme drug udarec

Temeljito preglejte izdelek in opazujte, ali je morda poškodovan. Vsak poškodovani del mora ustrezno popraviti ali zamenjati pooblaščen servisni center.

REZIDUALNA TVEGANJA:

- Ugotovljeno je bilo, da lahko pri nekaterih posameznikih vibracije ročnih orodij povzročijo Raynaudov sindrom. Simptomi so lahko mravljinca, otrplost in pobledele prsti, kar je običajno vidno, kadar je oseba izpostavljena mrazu.
- Dedni dejavniki, izpostavljenost mrazu in vlagi, dieta, kajenje in delovne navade naj bi pripomogle k razvoju teh simptomov. Za zmanjšanje učinkov vibracij lahko upravljavec upošteva naslednja navodila:
 - Poskrbite, da bo vaše telo na mrazu toplo. Med upravljanjem nosite rokavice in tako ohranjajte toploto



vaših dlani in zapestij. Kot poročajo, je mraz glavni dejavnik, ki prispeva k Raynaudovemu sindromu.

- Po vsakem obdobju upravljanja naprave telovadite in tako pospešite krvni obtok.
- Pogosto si vzemite odmor. Omejite dnevno količino izpostavljenosti. Če zaznavate kakršne koli simptome takšnega stanja, takoj prenehajte z uporabo naprave in se o simptomih posvetujte z zdravnikom.

NAMEN UPORABE

Izdelek je namenjen izključno zunanji uporabi. Izdelek je namenjen obrezovanju trave in tankih bilk na zasebnih vrtovih.

Kosilnica z nitko

Izdelek je namenjen za košenje visoke trave, plevela, in podobnega rastlinja talne rasti.

Kosilnica za robove

Izdelek je namenjen za košenje robov travnikov.

Izdelka se ne sme uporabljati za obrezovanje živih mej, grmovja ali drugega rastlinja, kjer obrezovalna raven ni vzporedna s tlemi.

ZAŠČITA OKOLJA



Namesto, da napravo zavržete, reciklirajte surovine. Napravo, pribor in embalažo je treba sortirati za okolju prijazno recikliranje.

SIMBOLI



Varnostni alarm



Za zagotavljanje varnega obratovanja si pred uporabo izdelka preberite celotna navodila in osvojite njihovo vsebino.



Nosite zaščito za ušesa



Nosite zaščito za oči



Izogibajte se uporabi v vlažnih razmerah.



Nevarnost odbijanja. Prisotni naj bodo oddaljeni vsaj 15 m.



Pazite na izvržene ali leteče predmete. Gledalci naj bodo na varni razdalji od stroja.



Zajamčena raven zvočne moči



Odpadne električne izdelke odlagajte skupaj z ostalimi gospodinjstvi odpadki. Reciklažo opravljajte na predpisanih mestih. Za reciklažni nasvet se obrnite na lokalne oblasti.



Skladnost CE



Skladnost GOST-R

**VŠEOBECNÉ BEZPEČNOSTNÉ VÝSTRAHY****⚠ VAROVANIE**

Prečítajte si všetky bezpečnostné výstrahy a pokyny. Pri nedodržaní týchto výstrah a pokynov môže dôjsť k úrazu elektrickým prúdom, požiaru a/alebo závažnému poraneniu.

Odložte všetky upozornenia a pokyny použité v budúcnosti.

Pojem „mechanický nástroj“ vo výstrahách sa vzťahuje na váš sieťový (káblový) mechanický nástroj alebo akumulátorový (bezkáblový) mechanický nástroj.

PRACOVNÝ PRIESTOR

- **Pracovisko udržiavajte v čistote a správne osvetlené.** Prepchané alebo tmavé miesta zvyšujú pravdepodobnosť nehôd.
- **Nepracujte s mechanickými nástrojmi vo výbušných atmosférach, napríklad v blízkosti zápalných tekutín, plynov alebo prachu.** Mechanické nástroje vytvárajú iskry, ktoré môžu podpáliť takýto prach alebo výpary.
- **Deti a okolostojaci sa počas práce s mechanickým nástrojom nesmú zdržovať v jeho blízkosti.** Rozptýlenie môže spôsobiť, že stratíte nad nástrojom kontrolu.

ELEKTRICKÁ BEZPEČNOSŤ

- **Zástrčky mechanického nástroja musia zodpovedať zásuvke.** Zástrčku nikdy žiadnym spôsobom neupravujte. S uzemnenými mechanickými nástrojmi nepoužívajte rozdvojnú zásuvku. Použitím neupravených zástrčiek a zodpovedajúcich zásuviek sa znižuje riziko úrazu elektrickým prúdom.
- **Vyhýbajte sa telesnému kontaktu s uzemnenými povrchmi, napríklad rúrami, radiátormi, sporákmi a chladničkami.** Ak je vaše telo uzemnené, hrozí vysoké riziko úrazu elektrickým prúdom.
- **Nevystavujte dažďu ani nepoužívajte vo vlhkom prostredí.** Voda, ktorá vnikne do mechanického nástroja, zvyšuje riziko úrazu elektrickým prúdom.
- **Kábel nenamáhajte. Nikdy nepoužívajte kábel na prenášanie, ťahanie alebo odpájanie mechanického nástroja.** Kábel nedávajte do blízkosti tepla, oleja, ostrých okrajov alebo pohyblivých dielov. Poškodené alebo zamotané káble zvyšujú riziko úrazu elektrickým prúdom.
- **Pri práci s mechanickým nástrojom v exteriéri používajte predlžovací kábel vhodný pre použitie v exteriéri.** S káblom vhodným pre použitie v exteriéri sa znižuje riziko úrazu elektrickým prúdom.
- **Ak je nevyhnutné pracovať s mechanickým nástrojom vo vlhkom prostredí, použite zdroj chránený zariadením pre zvyškový prúd.** Použitie zariadenia pre zvyškový prúd znižuje riziko úrazu elektrickým prúdom.

OSOBNÁ BEZPEČNOSŤ

- **Pri práci s mechanickým nástrojom buďte ostražití, sledujte, čo robíte a používajte zdravý rozum.** Nepoužívajte mechanický nástroj, keď ste unavení alebo pod vplyvom drog, alkoholu alebo liekov. Chvíľa nepozornosti počas práce s mechanickými nástrojmi môže spôsobiť závažné osobné poranenie.
- **Používajte osobné ochranné pomôcky.** Vždy používajte chrániče zraku. Ochranné pomôcky ako protiprachová maska, protišmyková bezpečnostná obuv, pevný klobúk alebo chrániče sluchu, používané pre príslušné podmienky, znižujú riziko vzniku osobného poranenia.
- **Zabráňte neúmyselnému spusteniu.** Pred zapojením zariadenia do siete a/alebo k jednotke akumulátora, zdvíhaním alebo prenášaním nástroja vždy skontrolujte, či je spínač vo vypnutej polohe. Pri prenášaní mechanických nástrojov s prstom položeným na spínači alebo pripájaní mechanických nástrojov so zapnutým spínačom sa zvyšuje riziko úrazu.
- **Pred zapnutím nástroja odstráňte prípadný nastavovací klin alebo kľúč.** Keď necháte kľúč alebo klin nasadený na rotujúci diel mechanického nástroja, môže dôjsť k vážnemu poraneniu osôb.
- **Neprečeňujte sa.** Neustále zachovávajte pevnú oporu nôh a rovnováhu. Tak si zaistíte lepšiu kontrolu nad mechanickým nástrojom v nečakaných situáciách.
- **Primerane sa oblečte.** Nenoste voľný odev ani šperky. Vlasy, odev a rukavice nepribližujte k pohybujúcim sa dielom. Voľný odev, šperky či dlhé vlasy sa môžu zachytiť do pohyblivých častí.
- **Ak sú zariadenia vybavené pripojením na prostriedky na odsávanie a zber prachu, zaistite, aby boli správne pripojené a primerane sa používali.** Pri použití týchto prostriedkov sa znižujú riziká pochádzajúce z prachu.

POUŽÍVANIE ELEKTRICKÉHO NÁSTROJA A STAROSTLIVOSŤ OŇ

- **Na nástroj nevyvíjajte silu.** Používajte vhodný nástroj pre dané použitie. Správny mechanický nástroj splní svoju úlohu lepšie a bezpečnejšie pri rýchlosti, na ktorú je určený.
- **Mechanický nástroj nepoužívajte, ak spínač nezapína a nevypína nástroj.** Mechanický nástroj, ktorý sa nedá ovládať spínačom, je nebezpečný a musí sa dať opraviť.
- **Pred vykonaním akýchkoľvek úprav, výmene príslušenstva alebo odložením mechanického nástroja odpojte zástrčku zo sieťovej zásuvky a/alebo jednotky akumulátora.** Takéto preventívne opatrenie znižuje riziko neúmyselného spustenia mechanického nástroja.
- **Nečinné mechanické nástroje odložte mimo dosahu detí a nedovoľte používať mechanický nástroj osobám neoboznameným s mechanickým nástrojom alebo týmito pokynmi.** Mechanické nástroje sú v rukách netrénovaných osôb nebezpečné.
- **Na mechanických nástrojoch vykonávajte údržbu.** Skontrolujte, či pohyblivé diely nie sú nesprávne



nastavené alebo zablokované, či niektoré diely nie sú poškodené, ako aj akýkoľvek iný stav, ktorý by mohol ovplyvniť činnosť mechanického nástroja. V prípade poškodenia nechajte mechanický nástroj pre použitím opraviť. Veľké množstvo nehôd je spôsobených nedostatočnou údržbou mechanických nástrojov.

- **Rezacie nástroje udržiavajte ostré a v čistote.** Správne udržiavané rezacie nástroje s ostrými ostriami sa menej pravdepodobne zaseknú a ľahšie sa ovládajú.
- **Mechanický nástroj, príslušenstvo a vrtáky a pod., používajte v súlade s týmto návodom, pričom berzte do úvahy pracovné podmienky a úlohu, ktorú chcete vykonať.** Pri používaní mechanického nástroja na iné ako určené činnosti môže dôjsť k nebezpečným situáciám.

POUŽÍVANIE AKUMULÁTORA A STAROSTLIVOSŤ OŇ

- **Nabíjajte len s použitím nabíjačky špecifikovanej výrobcom.** Nabíjačka, ktorá je vhodná pre jeden typ jednotky akumulátora, môže pri použití s inou jednotkou akumulátora spôsobiť riziko požiaru.
- **Používajte len mechanické nástroje so špecificky určenými jednotkami akumulátorov.** Pri použití iných jednotiek akumulátora vzniká riziko poranenia a požiaru.
- **Keď sa jednotka akumulátora nepoužíva, nedávajte ju do blízkosti iných kovových objektov, ako sú papierové sponky, mince, kľúče, kľince, skrutky či iné malé kovové predmety, ktoré by mohli skratovať svorky.** Pri skratovaní svoriek akumulátora môže dôjsť k popáleninám alebo požiaru.
- **Za nevhodných podmienok, keď by z batérie vytekala kvapalina, predchádzajte kontaktu s ňou.** Pri náhodnom kontakte opláchnite vodou. Ak tekutina zasiahne oči, dodatočne vyhľadajte lekársku pomoc. Tekutina vytečená z akumulátora môže spôsobiť podráždenie alebo popáleniny.

OPRAVY

- **Servis mechanického nástroja prenechajte kvalifikovanému servisnému pracovníkovi s použitím len identických náhradných dielov.** Takto zachováte bezpečnosť mechanického nástroja.

ŠPECIFICKÉ BEZPEČNOSTNÉ PRAVIDLÁ

⚠ VAROVANIE

Pri používaní tohto produktu sa musia dodržiavať bezpečnostné zásady. Pre vašu vlastnú bezpečnosť a bezpečnosť okolostojacich osôb si pred použitím produktu prečítajte tento návod. Odložte si tento návod na neskoršie použitie.

⚠ VAROVANIE

Toto zariadenie nie je určené pre použitie osobami (vrátane detí) s zníženými fyzickými, zmyslovými alebo duševnými schopnosťami alebo nedostatočnými skúsenosťami a znalosťami, pokiaľ nepracujú pod dohľadom alebo podľa pokynov na používanie zariadenia osobou zodpovednou za ich bezpečnosť. Deti musia byť pod dozorom, aby sa nemohli so zariadením hrať.

- Ak nejaká osoba vstúpi do pracovného priestoru, zastavte stroj. Keď sa v blízkosti nachádzajú iné osoby, najmä deti alebo domáce zvieratá, nepoužívajte nástroj. Ak ste v blízkosti, okamžite zariadenie zastavte.
- Nepoužívajte zariadenie v zlom počasí, najmä ak môže dochádzať k bleskom.
- Produkt používajte za denného svetla alebo pri dobrom umelom osvetlení.
- Nepoužívajte na mokrej tráve.
- Neustále zachovávajte pevnú oporu nôh a rovnováhu.
- Pri strihaní nekráčajte dozadu.
- Choďte krokom, nikdy nebežte.
- Hlavu strihača udržiavajte pod úrovňou pásu.
- Nestrhajte na iných plochách ako pozemný trávnik.
- Nikdy nepoužívajte produkt, ktorý má poškodené kryty alebo keď kryty nie sú nasadené.
- Nikdy nenasadzujte kovový náhradný drôt.
- Neustále, najmä pri zapínaní motora, držte ruky a nohy mimo dosahu rezných prostriedkov.
- Dôkladne skontrolujte priestor, kde sa má zariadenie používať a odstráňte všetky kamene, paličky, kov, drôty, kosti, hračky a iné cudzie predmety.
- Vypnite a odpojte z elektrickej siete, pred:
 - servis
 - ponechanie strihača bez dozoru
 - vyčistíte strihač
 - výmena príslušenstva
 - skontrolujete akékoľvek poškodenie po zásahu objektom
 - skontrolujete akékoľvek poškodenie, ak strihač začne neštandardne vibrovať
 - vykonávanie údržby
- Používajte ochranné okuliare.
- Chráňte sa pred poranením od ľubovoľného zariadenia namontovaného na orezávanie dĺžky drôteného vlákna.

ÚDRŽBA

- Používajte len originálne náhradné diely a príslušenstvo.
- Po predĺžení nového rezného drôtu vždy vráťte produkt pred zapnutím do štandardnej prevádzkovej polohy.
- Po každom použití vyčistíte mäkkou suchou tkaninou.
- Skontrolujte všetky skrutky, matice v častých intervaloch či sú riadne utiahnuté, aby sa zaisťila bezpečná prevádzka produktu. Akýkoľvek poškodený diel sa musí náležite opraviť alebo vymeniť v autorizovanom servisnom centre.



- Keď sa produkt nepoužíva, odložte ho na chladné a suché miesto a uzamknite mimo dosahu detí. Neskladujte v exteriéri.

Kontrola po páde či iných nárazoch

Dôkladne skontrolujte produkt a zistite na ňom prípadné poruchy, či poškodenia. Akýkoľvek poškodený diel sa musí náležite opraviť alebo vymeniť v autorizovanom servisnom centre.

ZVYŠKOVÉ RIZIKÁ:

Boli hlásené prípady, kedy vibrácie z ručných nástrojov u niektorých osôb prispeli k stavu nazývanému Raynaudov syndróm. K symptómom patria: trpnutie, znecitlivenie a blednutie prstov, zvyčajne zjavné po vystavení zime.

Je známe, že k vývoju týchto symptómov prispievajú: dedičné faktory, vystavovanie zime a vlhkosti, diéta, fajčenie a pracovné návyky. Opatrenia, ktoré môže vykonať obsluhujúca osoba na možné zníženie účinkov vibrácií:

- V studenom počasí udržiavajte svoje telo v teple. Pri práci so zariadením noste rukavice, aby ste mali ruky a zápästia v teple. Boli hlásené prípady, kedy hlavným faktorom prispievajúcim k Raynaudovmu syndrómu bolo studené počasie.
- Po každom určitom časovom úseku prevádzky cvičte, aby ste zlepšili krvný obeh.
- Počas práce si doprajte časté prestávky. Obmedzte počet vystavení za deň. Ak zistíte ktorýkoľvek zo symptómov tohto stavu, okamžite prerušte používanie zariadenia, navštívte svojho lekára a povedzte mu o symptómoch.

ÚČEL POUŽITIA

Tento produkt je určený len pre použitie v exteriéri. Tento produkt je určený na strihanie trávy a ľahkej buriny na súkromných záhradných plochách.

Strunová kosačka

Tej to produkt je určený na strihanie dlhej trávy, dreňovej buriny, a podobnej vegetácie na úrovni zeme alebo kúsok nad ňou.

Obrubovačka

Tento produkt je určená na strihanie upravených okrajov trávnikov.

Tento produkt sa nesmie používať na strihanie či orezávanie živých plotov, kríkov či inej vegetácie, kde rezná rovina nie je rovnobežná s povrchom zeme.

OCHRANA ŽIVOTNÉHO PROSTREDIA



Surové materiály recyklujte, namiesto toho, aby ste ich zlikvidovali ako odpad. Stroj, príslušenstvo a obaly by sa mali triedene recyklovať spôsobom šetrným k životnému prostrediu.

SYMBOLY



Výstražná značka



Pred použitím produktu si prečítajte s porozumením všetky pokyny, dosiahnete tak bezpečnú prevádzku.



Noste ochranu sluchu



Používajte chrániče zraku



Nepoužívajte v mokrom alebo vlhkom prostredí.



Nebezpečenstvo odskočenia. Všetci okolostojace osoby musia byť vo vzdialenosti minimálne 15 m.



Pozor na vymrštené alebo odletujúce objekty.

Okolostojacich udržiavajte v bezpečnej vzdialenosti od zariadenia.



Garantovaná úroveň hluku



Opatrebované elektrické zariadenia by ste nemali odhadzovať do domového odpadu. Prosíme o recykláciu ak je možné. Kontaktujte miestne úrady, alebo predajcu pre viac informácií ohľadom ekologického spracovania.



CE konformita



GOST-R konformita

**ОБЩИ ПРЕДУПРЕЖДЕНИЯ ЗА БЕЗОПАСНОСТ****⚠ ПРЕДУПРЕЖДЕНИЕ**

Прочетете всички предупреждения относно безопасността и всички инструкции. Неспазването на предупрежденията и инструкциите може да доведе до токов удар, пожар и/или сериозни наранявания.

Съхранявайте всички предупреждения и инструкции за бъдещи справки.

Терминът "електрически инструмент" в предупрежденията се отнася за вашия инструмент - със захранване от електрическата мрежа (с кабел) или на батерия (безжичен).

БЕЗОПАСНОСТ НА РАБОТНАТА ЗОНА

- Поддържайте работното пространство чисто и добре осветено. Безпорядъкът или тъмнината в работното пространство са предпоставка за злополуки.
- Не използвайте електрически инструменти в експлозивни среди, например в присъствието на запалителни течности, газове или прах. По време на работа електрическите инструменти произвеждат искри, които могат да възпламенят прах или пари.
- Дръжте децата и страничните наблюдатели далече, докато боравите с електрически инструмент. Ако вниманието ви бъде отклонено, може да загубите контрола над електрическия инструмент.

ЕЛЕКТРИЧЕСКА БЕЗОПАСНОСТ

- Щепселът на електрическия инструмент трябва да е съвместим с контакта. В никакъв случай не внасяйте изменения в конструкцията на щепсела. Когато работите със занулени електрически инструменти, не използвайте адаптери за щепсела. Използването на оригиналните щепсели и контакти намалява риска от токов удар.
- Избягвайте допир със заземени повърхности, като тръби, радиатори, печки и хладилници. Когато тялото ви е заземено, рискът от възникване на токов удар е по-голям.
- Не излагайте на дъжд и на влажни условия. Проникването на вода в електрическия инструмент повишава опасността от токов удар.
- Не насилвайте захранващия кабел. Никога не носете, не изключвайте и не дърпайте електрическия инструмент за кабела. Предпазвайте кабела от нагряване, омасляване, допир до остри ръбове или до подвижни звена на машини. Повредените или усукани кабели увеличават риска от токов удар.
- Когато работите с електрически инструмент на открито, използвайте само удължителни кабели, предназначени за работа на открито. Използването на удължител, предназначен за

работа на открито, намалява риска токов удар.

- Ако не можете да избегнете използването на електрически инструмент на влажно място, използвайте RCD (прекъсвач със защитно изключване). Използването на RCD намалява опасността от електрически удар.

ЛИЧНА БЕЗОПАСНОСТ

- Бъдете бдителни, внимавайте какво правите и проявявайте благоразумие, когато боравите с електрически инструмент. Не използвайте електрическия инструмент, когато сте уморени или под влиянието на наркотични вещества, алкохол или лекарства. Миг невнимание, докато боравите с електрически инструмент, е достатъчен за получаването на сериозни наранявания.
- Използвайте лична защитна екипировка. Винаги носете защитни очила. Защитната екипировка, като маска против прах, пригодени против плъзгане защитни обувки, твърда шапка или антифони, използвани за подходящите условия, ще намали опасността от физически наранявания.
- Не допускате нежелано стартиране. Преди да вдигате или носите инструмента и преди да го включвате в електрическата мрежа и/или батерия, винаги проверявайте дали превключателят е на позиция OFF (изкл). Носенето на инструмента с пръст върху превключателя или включването му към електричеството, докато превключателят му е на включен, е предпоставка за злополуки.
- Махнете всички гачни или френски ключове за настройка преди да включите инструмента. Помощен инструмент, забравен на въртящ се елемент, може да доведе до физически наранявания.
- Не се протягайте, за да работите на трудно достижими места. Винаги стъпвайте стабилно по време на работа и пазете равновесие. Това дава възможност за по-добър контрол над електрическия инструмент в неочаквани ситуации.
- Обличайте се целесъобразно. Не носете широки дрехи или украшения. Дръжте косата, дрехите и ръкавиците си на безопасно разстояние от подвижните елементи. Широките дрехи, украшенията, дългите коси могат да бъдат захванати и увлечени от движещи се елементи.
- Ако устройствата са оборудвани със съоръжение за издърпване и събиране на прах, уверете се, че е то свързано и функционира правилно. Използването на устройствата за събиране на прах ще намали рисковете, свързани с работа в прашни условия.

ИЗПОЛЗВАНЕ И ОБСЛУЖВАНЕ НА ЕЛЕКТРИЧЕСКИ ИНСТРУМЕНТ

- Не насилвайте продукта. Използвайте електрическия инструмент, съобразно неговото предназначение. Правилно подобраният електрически инструмент ще свърши работата по-добре и по-безопасно в зададения от производителя диапазон на натоварване.



- Не използвайте електрически инструменти, чито пусков прекъсвач е повреден. Електрически инструмент, който не може да бъде контролиран посредством превключвател, е опасен и трябва да бъде ремонтиран.
- Изключете щепсела от източника на захранване и/или батерията от електрическия инструмент, преди да извършвате каквито и да е корекции, да сменяте принадлежностите и преди съхраняване на електрическите инструменти. Тази мярка премахва опасността от задействане на електрическия инструмент по невнимание.

■ Съхранявайте незаетите електрически инструменти на недостъпни за деца места и не позволявайте на лица, незапознати с инструмента или с тези указания, да боравят с него. Когато са в ръцете на неопитни потребители, електрическите инструменти могат да бъдат изключително опасни.

■ Поддържайте електрическите инструменти в изправност. Проверявайте за неизправности или заклиняване в подвижните елементи, за счупени части или други обстоятелства, които могат да влошат работата на електрическия инструмент. Преди да използвате електрическия инструмент, се погрижете повредите да бъдат отстранени. Много от трудовите злополуки се дължат на недобре поддържани електрически инструменти.

■ Поддържайте режещите инструменти винаги добре заточени и чисти. Инструменти, за които е полагана правилна грижа и са с добре наточени режещи елементи, се управляват по-лесно и вероятността да заядат е по-малка.

■ Използвайте електрическите инструменти, принадлежностите и режещите и др. части съобразно тези указания, като се съобразявате с работните условия и с работата, която ще извършвате. Използването на електрически инструменти за различни от предвидените от производителя приложения повишава опасността от възникване на трудови злополуки.

ИЗПОЛЗВАНЕ И ОБСЛУЖВАНЕ НА ИНСТРУМЕНТА С БАТЕРИЯ

- Презареждайте единствено със зарядното устройство, посочено от производителя. Зарядно устройство, подходящо за зареждане на един вид батерии, може да предизвика риск от пожар, ако бъде използвано за други батерии.
- Използвайте електрически инструменти с батерии единствено със специално предназначението за тях батерии. Използването на всякакви други батерии може да създаде риск от нараняване и пожар.
- Когато батерията не се използва, съхранявайте я далеч от други метални обекти, като например кламери, монети, ключове, гвоздеи, гайки или други малки метални обекти, които могат да направят връзка между клемите. Късото съединение от клемите може да доведе до изгаряния или пожар.

- При неправилно използване батерията може да отдели течност; избягвайте контакт. Ако случайно настъпи контакт, промийте с вода. Ако течността влезе в контакт с очите, потърсете допълнително медицинска помощ. Отделената от батерията течност може да причини възпаление или изгаряния.

СЕРВИЗНО ОБСЛУЖВАНЕ

- Ремонтът на електрическите инструменти трябва да се извършва само от квалифицирани специалисти и само с използването на оригинални резервни части. По този начин се гарантира поддържането на безопасност при работа с електрическия инструмент.

СПЕЦИФИЧНИ ПРАВИЛА ЗА БЕЗОПАСНОСТ

▲ ПРЕДУПРЕЖДЕНИЕ

При използване на продукта трябва да се спазват правилата за безопасност. За осигуряване на вашата безопасност и тази на страничните наблюдатели прочетете тези инструкции, преди да работите с продукта. Съхранявайте ръководството за експлоатация на сигурно място, за да можете да го ползвате и по-късно.

▲ ПРЕДУПРЕЖДЕНИЕ

Този уред не е предназначен за употреба от лица (включително деца) с намалени физически, сетивни или умствени способности или лица, които нямат необходимите опит и знания, освен ако не са надзиравани и инструктирани относно употребата на този уред от лице, отговорно за тяхната безопасност. Децата трябва да бъдат надзиравани, за да се гарантира, че не си играят с уреда.

- Ако някой навлезе в работната зона, спрете машината. Никога не използвайте инструмента, докато наблизо има хора, особено деца или домашни любимци. Ако някой се приближи към вас, спрете уреда незабавно.
- Избягвайте да използвате машината при лоши атмосферни условия, особено ако има риск от гръмотевици.
- Използвайте продукта през деня или при добро изкуствено осветление.
- Избягвайте използването върху мокро стъкло.
- Винаги стъпвайте стабилно по време на работа и пазете равновесие.
- Не вървете на заден ход, докато използвате тримера.
- Вървете, никога не тичайте, когато косите.
- Дръжте тримерната глава под нивото на кръста.
- Не режете върху повърхности, различни от стъкло върху земята.
- Никога не използвайте продукта, ако предпазителите



са повредени или ако не са на мястото си.

- Никога не поставяйте метална корда.
- Дръжте ръцете и краката си далеч от режещите части и особено при включване на мотора.
- Проверете внимателно зоната, където ще се използва машината, и отстранете всички камъни, пръчки, метални предмети, кабели, кости, играчки или други чужди предмети.
- Изключете инструмента и извадете кабела от захранването преди:
 - обслужване
 - оставяне на тримера без надзор
 - почистване на тримера
 - смяна на принадлежности
 - проверка за повреда след удряне на обект
 - Проверка за повреда, ако тримерът започне да вибрира необичайно
 - извършване на профилактика
- Носете предпазни очила или маска.
- Пазете се от наранявания от всякакви устройства, пригодени за нагласяне дължината на режещото влакно.

ПОДДРЪЖКА

- Използвайте само оригинални резервни части и аксесоари.
- След удължаване на ново режещо влакно винаги връщайте продукта в нормална за работа позиция, преди да го включите.
- Всеки път след употреба почиствайте с мека, суха кърпа.
- Периодично проверявайте дали всички гайки, болтове и винтове са правилно затегнати, за да сте сигурни, че продуктът е в изправност. Всяка повредена част трябва да бъде поправена или заменена от упълномощен сервизен център.
- Когато не се използва, продуктът трябва да се съхранява на хладно и сухо място и да е заключен, за да не могат да го достигнат деца. Не съхранявайте на открито.

Проверка след изпускане или други удари

Внимателно проверете продукта и установете дали е засегнат, или има повреда по него. Всяка повредена част трябва да бъде поправена или заменена от упълномощен сервизен център.

НЕПРЕДВИДЕНИ РИСКОВЕ.

Известно е, че вибрациите, произвеждани от ръчни инструменти може да предизвикат у някои индивиди заболяване, наречено Синдром на Рейнолд (Raynaud's Syndrome). Симптомите може да включват изтръпване, схващане и избледняване на пръстите, обикновено се забелязват при излагане на студ.

Смята се, че наследствените фактори, излагането на студ и влага, диетите, пушенето и някои работни навици допринасят за развитието на тези симптоми. Могат да се вземат някои мерки, които могат да се

предприемат от оператора, за да се намалят ефектите от вибрациите:

- Поддържайте телесната температура в студено време. Когато боравите с инструмента, носете ръкавици, за да поддържате ръцете и китките си топли. Според изследвания главният фактор, допринасящ за развитието на Raynaud's Syndrome, е студеното време.
- Правете упражнения за активизиране на кръвообращението след всеки работен цикъл.
- Редовно излизайте в почивка. Ограничете излагането на вибрации на ден. При поява на някой от симптомите на това заболяване, незабавно прекратете употребата на инструмента и посетете лекар.

ПРЕДНАЗНАЧЕНИЕ

Този продукт е предназначен за използване само на открито. Продуктът е предназначен само за рязане на трева и малки бурени в частни градински зони.

Тример

Продуктът е предназначен за рязане на дълги стръкове трева, месести бурени, и подобна растителност на нивото на земята или над него.

Тример за оформяне на ръбове

Този продукт е предназначен за подрязване на добре оформени ръбове в тревни площи.

Продуктът не трябва да се използва за рязане или подрязване на жив плет, храсталаци или друга растителност, при която плоскостта на рязане не е успоредна на земната повърхност.

ОПАЗВАНЕ НА ОКОЛНАТА СРЕДА



Рециклиране на суровини, вместо за обезвреждане като отпадък. Машината, допълнителните приспособления и опаковките трябва да бъдат подложени на подходяща преработка за оползотворяване на съдържащите се в тях вторични суровини.

СИМВОЛИ



Предупреждение относно безопасността



За да бъде работата ви безопасна, трябва да прочетете и да разберете всички указания, преди да използвате продукта.



Носете средства за защита на слуха.



Носете защитни средства за очи



Избягвайте употребата му при мокри или влажни условия.



Опасност от рикошет. Дръжте всички странични наблюдатели на поне 15м.



Внимавайте за изхвърлени или летящи обекти.
Дръжте наблюдателите на безопасно разстояние от машината.



Гарантирано ниво на шум



Електрическите уреди не трябва да се изхвърлят заедно с битовите отпадъци. Рециклирайте, където има възможност. Обърнете се за съвет по рециклирането към местните власти или разпространителите.



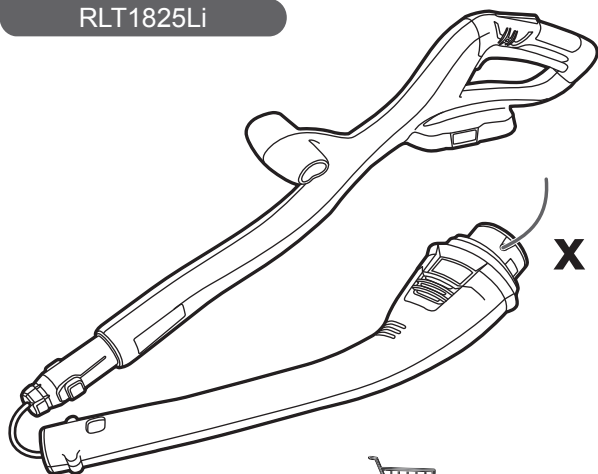
ЕС Съответствие



GOST-R Съответствие



RLT1825Li



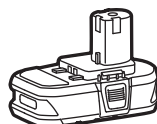
x 1



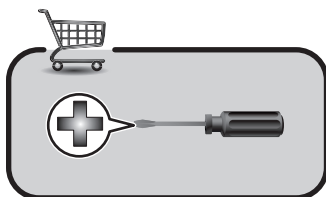
x 1



x 4

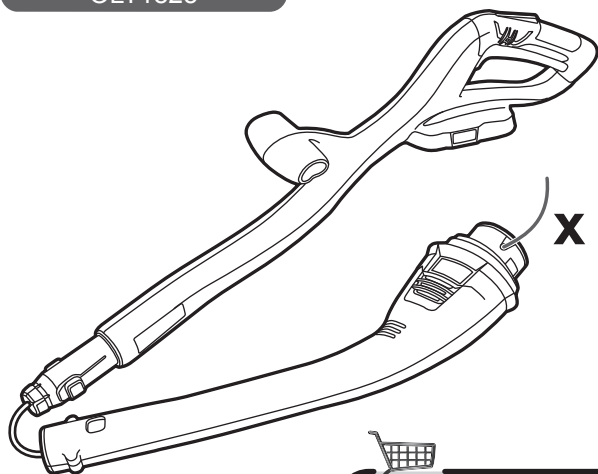


x 1



x 1

OLT1825



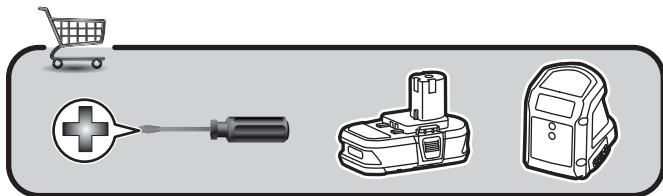
x 1



x 1

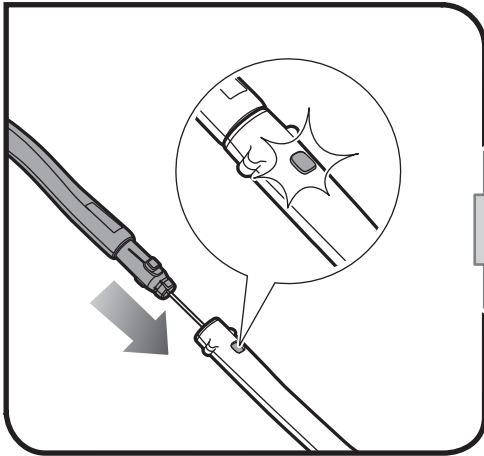


x 4

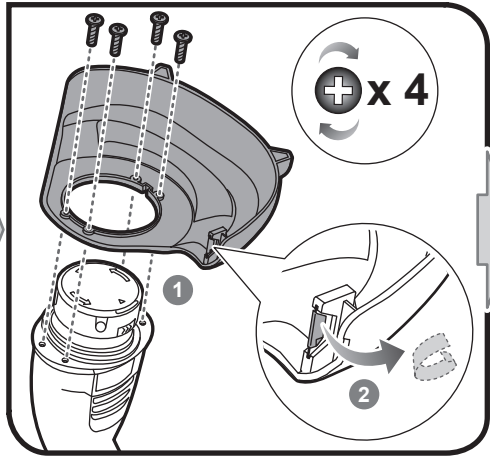




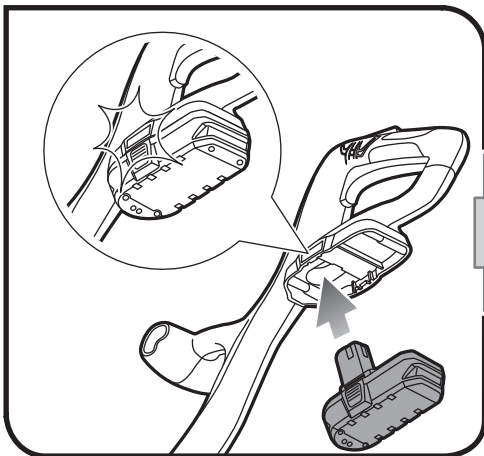
1



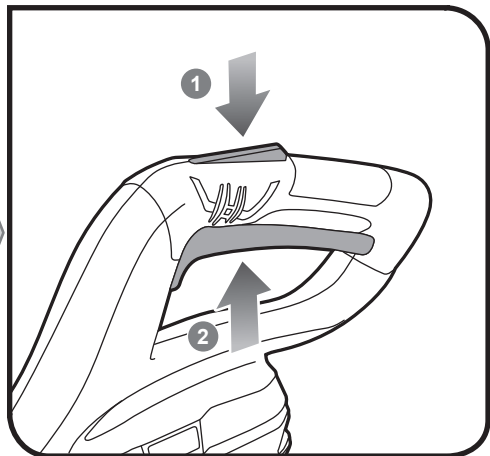
2

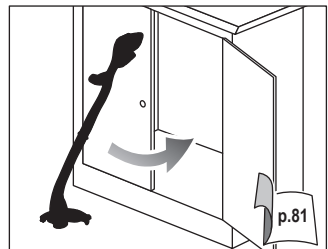
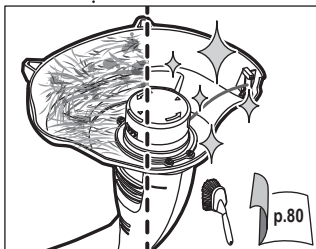
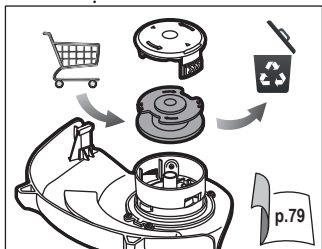
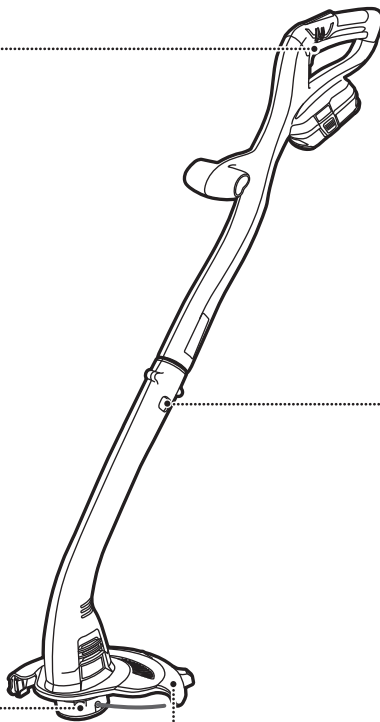
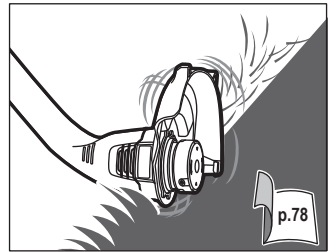
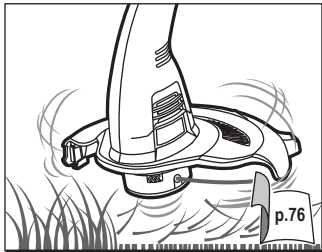


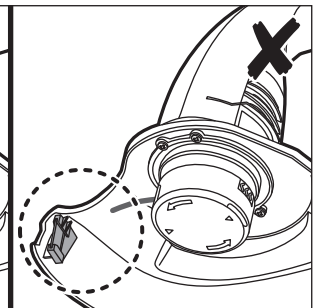
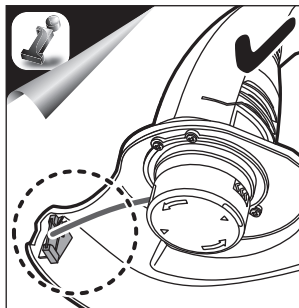
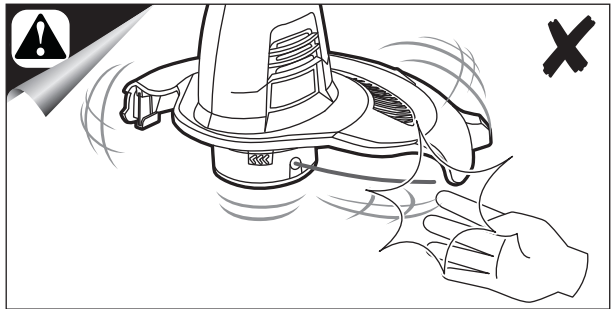
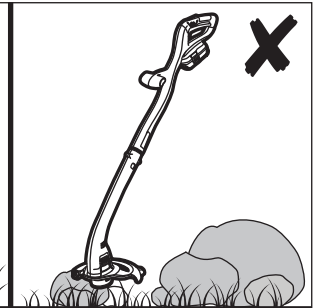
3

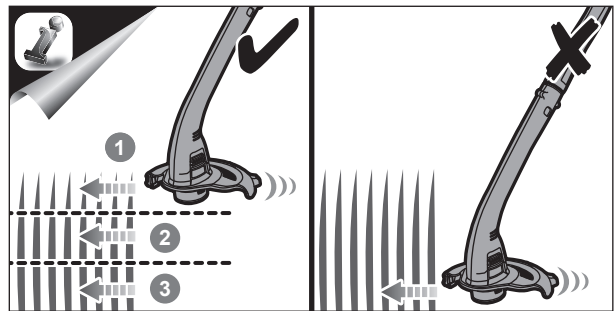
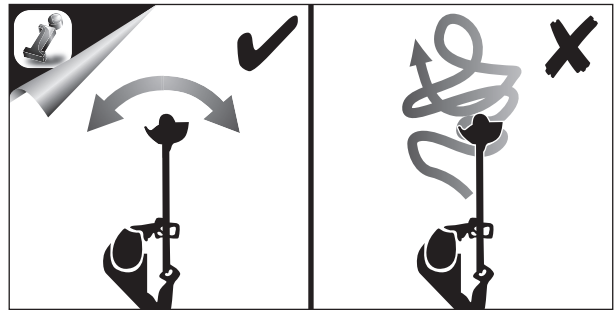
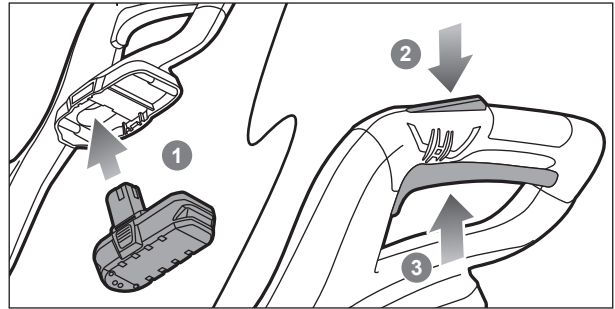


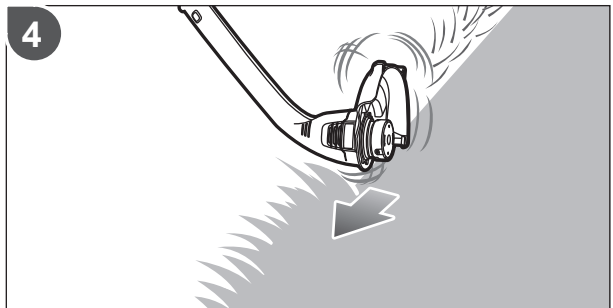
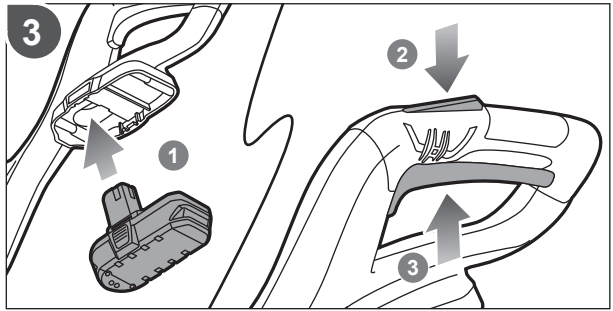
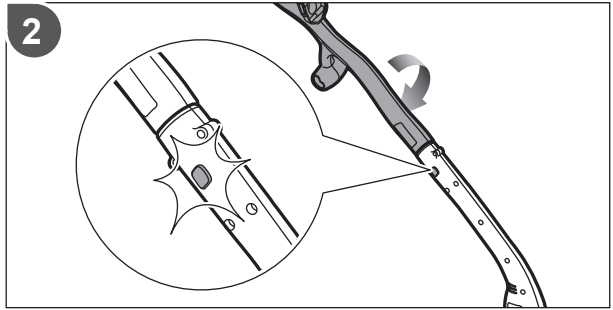
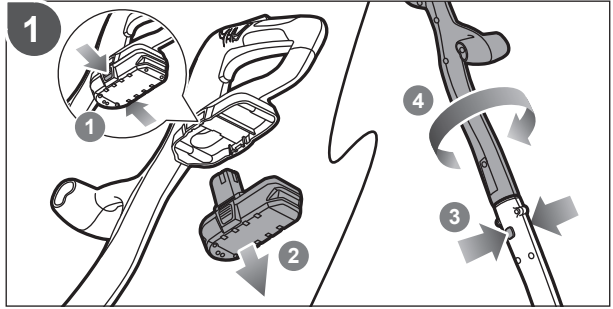
4

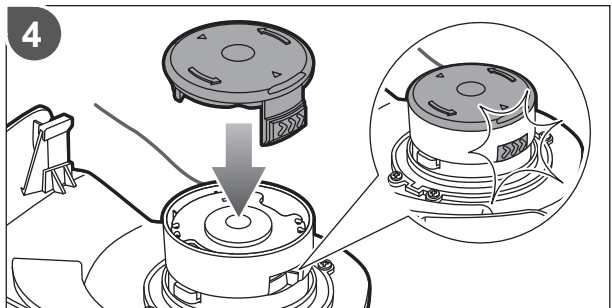
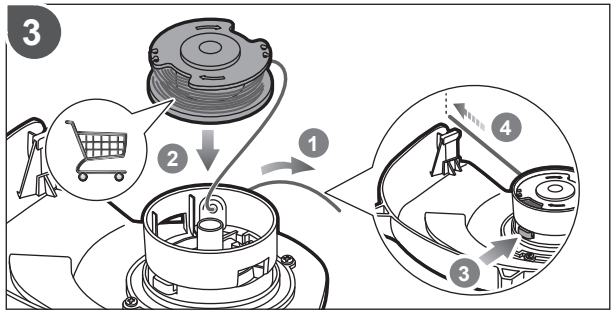
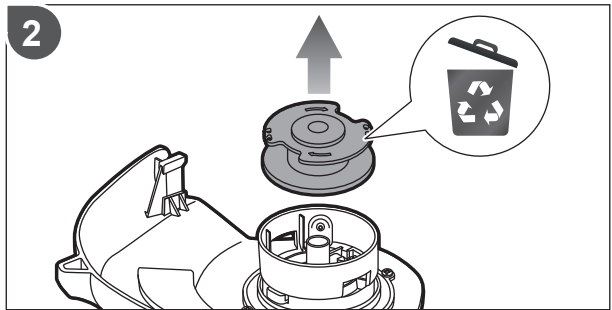
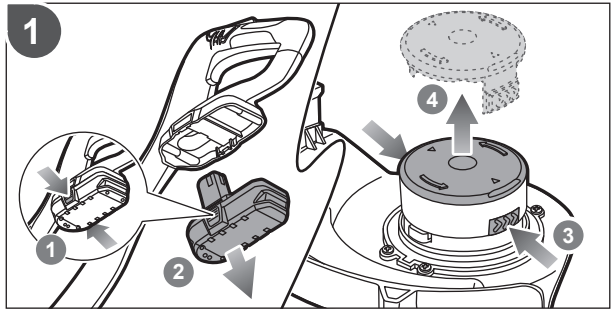
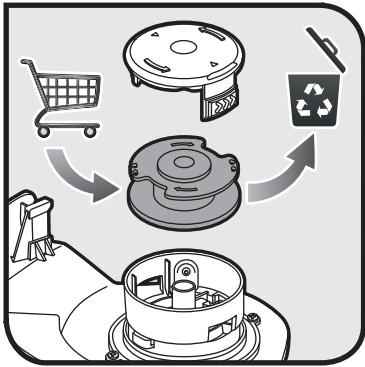


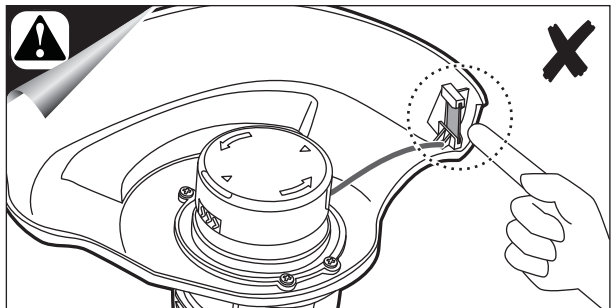
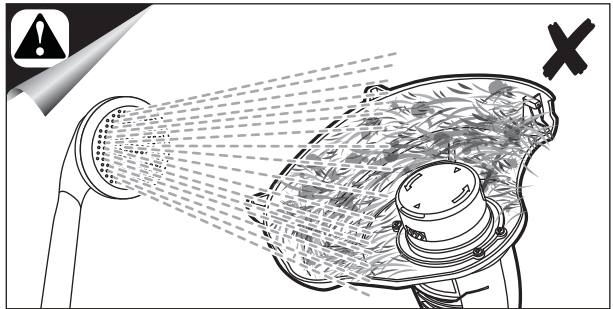
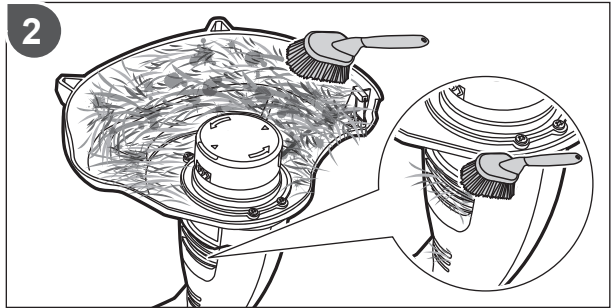
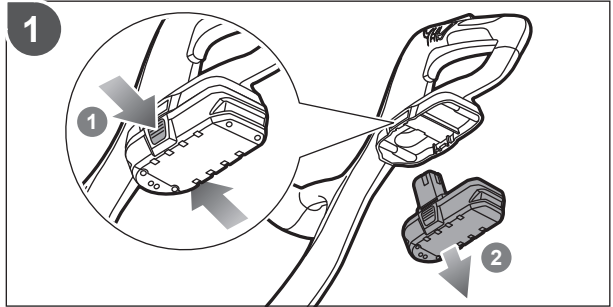
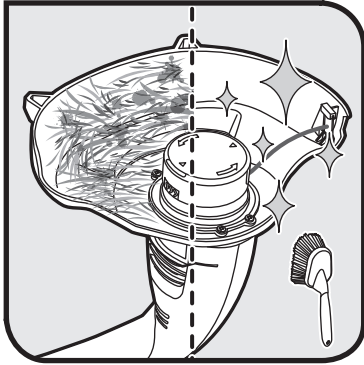


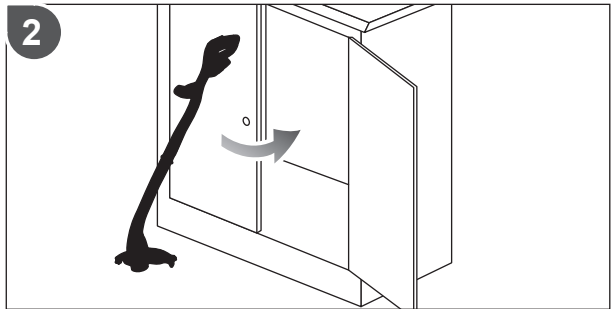
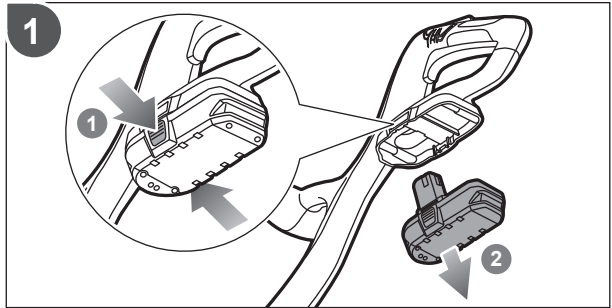
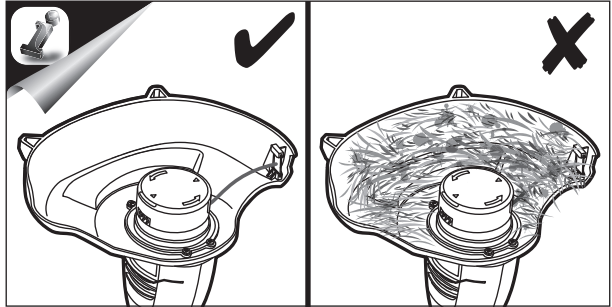














English	Français	Deutsch	Español	Italiano	Nederlands
Product specifications	Caractéristiques produit	Produkt-Spezifikationen	Características del producto	Caratteristiche del prodotto	Productgegevens
Model	Modèle	Model	Modelo	Modello	Model
Voltage	Tension	Elektrische Spannung	Tensión	Voltaggio	Spanning
No-load speed	Vitesse de rotation	Leerlaufgeschwindigkeit	Velocidad sin carga	Velocità senza carico	Snelheid zonder lading
Cutting capacity	Capacité de coupe	Schnittbreite Durchmesser	Capacidad de corte	Capacità di taglio	Snijcapaciteit
Cutting line diameter	Diamètre du Fil de Coupe	Schneidfaden-Durchmesser	Cortar el diámetro de la línea	Diametro linea di taglio	Maalijndiameter
Weight (without battery pack)	Poids (Sans batterie)	Gewicht (Ohne Akku)	Peso (Sin batería)	Peso (Senza batteria)	Gewicht (Zonder accupak)
Vibration	Vibrations	Vibrationen	Vibración	Vibrazione	Trillingen
Measured sound pressure level	Niveau de pression sonore mesuré	Gemessener Schalldruckpegel	Nivel de presión acústica medido	Livello di pressione sonora misurato	Gemeten geluidsdrukniveau
Measured sound power level	Niveau de puissance sonore mesuré	Gemessener Schalleistungspegel	Nivel de potencia acústica medido	Livello di potenza acustica misurato	Gemeten geluidsniveau



Polski	Čeština	Magyar	Română	Latviski	Lietuviškai
Parametry techniczne	Technické údaje produktu	Termék műszaki adatai	Specificațiile produsului	Produkta specifikācijas	Gaminio techninės savybės
Model	Model	Típus	Model	Modelis	Modelis
Napięcie	Elektrické napětí	Feszültség	Tensiune	Spriegums	Ītampa
Prędkość obrotowa bez obciążenia	Rychlost naprázdno	Üresjárati fordulatszám	Viteză fără sarcină	Greitis be apkrovimo	Greitis be apkrovimo
Szerokość cięcia	Řezací kapacita	Vágási teljesítmény	Lungimea de tăiere	Griešanas dziļums	Pjovimo talpa
Średnica żyłki tnącej	Průměr záběru	Vágószál átmérő	Diametru fir de tăiere	Griezējvada diametrs	Pjovimo līnijas diametrs
Ciężar (Bez akumulatora)	Hmotnost (Není vložen akumulátor)	Cépsúly (Akkumulátor nélkül)	Greutate (Fără baterie)	Svars (Bez akumulatora)	Svoris (Be akumulatorinės baterijos)
Wibracje	Vibrace	Rezgésszint	Vibrații	Vibrācija	Vibrācijas
Zmierzony poziom ciśnienia hałasu	Měření úroveň akustického tlaku	Mért hangnyomásszint	Nivel măsurat de presiune sonoră	Izmērītāis skaņas spiediena līmenis	Īmatuotais garso slēgio lygis
Zmierzony poziom natężenia hałasu	Změření hladina akustického výkonu	Mért hangteljesítményszint	Nivelul măsurat al puterii acustice	Izmērītās skaņas jaudas līmenis	Īmatuotais akustinis lygis





Português	Dansk	Svenska	Suomi	Norsk	Русский	
Especificações do produto	Produktspecificationer	Produktspecificationer	Tuotteen tekniset tiedot	Produktspecificasjoner	Характеристики изделия	
Modelo	Model	Modell	Malli	Modell	Модель	OLT1825 / RLT1825Li
Voltagem	Spænding	Spänning	Jännite	Spenning	Напряжение	18 volts
Velocidade sem carga	Tomgangshastighed	Hastighet utan belastning	Nopeus ilman kuormaa	Tomgangshastighet	Холостая скорость	9.500 /min
Capacidade de corte	Skærekapacitet	Trimningskapacitet	Leikkauskapasiteetti	Klippekapasitet	Сокращение вместимости	25 cm
Cortar o diâmetro da linha	Klippetrådsdiameter	Klipprådens diameter	Leikkuusiiman halkaisija	Diameter på klippesnoren	Диаметр режущей струны	1.65 mm
Peso (Sem bateria)	Vægt (Ingen batteri)	Vikt (Utan batteri)	Paino (Ilman akkua)	Vekt (Uten batteri)	вес (Без аккумулятора)	1.5 kg
Vibration	Vibration	Vibration	Vibration	Vibrasjon	Вибрация	4.0 m/s ² , K = 1.5 m/s ²
Nível de pressão sonora medido	Målt lydtryksniveau	Uppmått ljudnivå	Mitattu äänipaineen taso	Målt lydtryknivå	Измеренный уровень звукового давления	L _{PA} : 84.7 dB(A); K _{PA} : 2.5 dB(A)
Nível de potência sonora medido	Målt støjniveau	Uppmått ljudeffektsnivå	Mitatту äänenteho	Målt lydteffektnivå	Измеренный уровень звуковой мощности	L _{WA} : 91.6 dB(A); K _{WA} : 2.5 dB(A)



Eesti	Hrvatski	Slovensko	Slovenčina	България	
Toote tehnilised andmed	Specifikacije proizvoda	Specifikacije izdelka	Špecifikácie produktu	Технически характеристики	
Mudel	Model	Model	Modelis	Модел	OLT1825 / RLT1825Li
Pinge	Napon	Napetost	Napätie	Напряжение	18 volts
Tühikäigukiirus	Brzina bez opterećenja	Hitrost neobremenjenega motorja	Rýchlosť naprázdno	Скорост в ненатоварен режим	9,500 /min
Lõikevõimsus	Duljina rezanja	Kapaciteta rezanja	Kapacita rezania	Капацитет на рязане	25 cm
Trimmerijõhvi läbimõõt	Promjer flaksa	Premier rezalne nitke	Priemer rezného drôtu	Диаметър на режещото влакно	1.65 mm
Kaal (ilma aku pakita)	Težina (Bez baterije)	Teža (Brez baterijskega)	Hmotnosť (Bez batérie)	Тегло (Без батерия)	1.5 kg
Vibratsioon	Vibracije	Vibracije	Vibrácie	Вибрации	4.0 m/s ² , K = 1.5 m/s ²
Mõõdetud helivõimsuse tase	Izmjerena razina zvučne snage	Izmerjena raven zvočnega tlaka	Nameraná hladina akustického tlaku	Измерено ниво на шумово налягане	L _{PA} : 84.7 dB(A); K _{PA} : 2.5 dB(A)
Mõõdetud helivõimsuse tase	Izmjerena razina zvučne snage	Izmerjena raven zvočne moči	Nameraná úroveň hluku	Измерено ниво на шум	L _{WA} : 91.6 dB(A); K _{WA} : 2.5 dB(A)





English	Français	Deutsch	Español	Italiano	Nederlands	Português
Battery and charger	Batterie et chargeur	Akku und Ladegerät	Batería y cargador	Batteria e caricatore	Accu en oplader	Bateria e carregador
Model	Modèle	Model	Modelo	Modello	Model	Modelo
Battery Pack	Batterie	Akku	Batería	Batteria	Accu	Bateria
Weight	Poids	Gewicht	Peso	Peso	Peso	Gewicht
Charger	Chargeur	Ladegerät	Cargador	Caricatore	Lader	Carregador
Compatible Battery Packs	Packs Batterie Compatibles	Kompatible Akkus	Paquetes de batería compatibles	Gruppo batterie compatibili	Compatibele accupacks	Baterias Compatíveis
Compatible Charger	Chargeur compatible	Kompatibles ladegerät	Cargador compatible	Caricatore compatibile	Kompatibel oplader	Carregador compatível
Replacement part	Pièce de rechange	Ersatzteil	Pieza de repuesto	Ricambio	Vervangonderdeel	Peça de substituição
1.6mm Cutting line	1.6mm Fil de coupe	1.6mm Schneidfaden	1.6mm Hilo de corte	1.6mm Filo di taglio	1.6mm Maailijn	1.6mm Linha de corte
Complete spool	Bobine complète	Komplette spule	Carrete completo	Bobina completa	Volledige spoel	Bobina completa
Spool (3 pcs)	Bobine (3 pièces)	Spule (3-teilig)	Carrete (3 piezas)	Bobina (3 pezzi)	Spoel (3 st)	Carrete (3 peças)



Polski	Čeština	Magyar	Română	Latviski	Lietuviškai
Akumulator i ładowarka	Nabiječka a baterie	Akkumulátor és töltő	Bateria și încărcătorul	Akumulators un lādētājs	Akumulatorius ir įkroviklis
Model	Model	Tipus	Model	Modelis	Modelis
Akumulator	Baterie	Akkumulátor	Acumulator	Akumulators	Baterija
Greutate	Waga	Bec	Tömeg	Teža	Težina
Ładowarka	Nabiječka	Töltő	Încărcător	Lādētājs	Įkroviklis
Pasujące akumulatory	Kompatibilni akumulátory	Kompatibilis akkumulátorok	Acumulatori compatibili	Savietojami akumulatoru komplekti	Suderinami baterijos paketai
Odpowiednia ładowarka	Kompatibilni nabiječka	Kompatibilis töltő	Încărcător compatibil	Saderīgs lādētājs	Tinkamas įkroviklis
Części zamienne	Náhradní díl	Cserealkatrész	Piesă de schimb	Rezerves daļa	Atsarginė dalis
1.6mm Linia cięcia	1.6mm Žací struna	1.6mm Vágószál	1.6mm Fir de tăiere	1.6mm Griešanas aukla	1.6mm Pjovimo valas
Kompletna szpula	Kompletní cívka	Teljes orsó	Rezervor complet	Pilna spoile	Visas rītės rinkinys
Szpuli (3 sztuki)	Cívky (3 ks)	Orsó (3 db)	Bobinei (3 buc)	Spoles (3 gab.)	Rītės (3 vnt.)





Dansk	Svenska	Suomi	Norsk	Русский		
Batteri og oplader	Batteri och batteriladdare	Akku ja laturi	Batteri og lader	Акумуляторная батарея и зарядное устройство		
Model	Modell	Malli	Modell	Модель	OLT1825	RLT1825Li
Batteri	Batteri	Akku	Batteri	Акумулятор	--	BL18L13
Vikt	Vægt	Vekt	Paino	Многост	--	0.43 kg
Oplader	Batteriladdare	Laturi	Lader	Зарядное устройство	--	BCL14183H
Kompatible batterier	Kompatibla batteripaket	Yhteensopivat akut	Kompatible batteripakker	Совместимая аккумуляторная батарея	BPL-1815, BPL-1820, RB18L13, RB18L15, RB18L40, RB18L26	
Compatibele oplader	Passande laddare	Yhteensopiva laturi	Kompatibel lader	Совместимое зарядное устройство	BCL1418, BCL14181H, BCL14183H	
Reserve del	Ersättningsdel	Varaosat	Erstatningsdel	Заменяемые детали	OLT1825	RLT1825Li
1.6mm Klippetråd	1.6mm Skärtråd	1.6mm Leikkuusiima	1.6mm Klippesnor	1.6mm Режущая струна	RAC101	
Komplett spole	Komplett spole	Kela laitteelle	Komplett spole	Бобина	RAC124	
Spole (3 stk.)	Spole (3 st.)	Kelan (3 osaa)	Spole (3 deler)	Бобины (3 шт.)	RAC125	



Eesti	Hrvatski	Slovensko	Slovenčina	България		
Aku ja laadija	Baterija i punjač	Baterija in polnilnik	Akumulátor a nabijačka	Батерия и зарядно устройство		
Mudel	Model	Model	Modelis	Модел	OLT1825	RLT1825Li
Aku paketiiga	Baterija	Akumulator	Batéria	Батерия	--	BL18L13
Mass	Masé	Svars	Hmotnosť	Тегло	--	0.43 kg
Laadija	Punjač	Polnillec	Nabijačka	Зарядно устройство	--	BCL14183H
Ühilduvad akupaketid	Kompatibilna pakiranja baterija	Zdrüžljive baterije	Kompatibilné jednotky akumulátorov	Съвместими батерии	BPL-1815, BPL-1820, RB18L13, RB18L15, RB18L40, RB18L26	
Kasutatav laadija	Kompatibilni punjač	Zdrüžljiv polnillec	Kompatibilná nabijačka	Съвместимо зарядно устройство	BCL1418, BCL14181H, BCL14183H	
Varuosa	Zamjenski dijelovi	Nadomestni deli	Náhradné diely	Резервна част	OLT1825	RLT1825Li
1.6mm Löikejõhv	1.6mm Flaks	1.6mm Rezilna nitka	1.6mm Rezací drôt	1.6mm Режешо влакно	RAC101	
Pooli täiskomplekt	Cijeli kalem	Celotno vreteno	Kompletná cievka	Цялостна макара	RAC124	
Pooli (3 tk)	Kalema (3 kom)	Vreteno (3 kos)	Cievky (3 ks)	Макарата (3 бр.)	RAC125	



EN Vibration level

⚠ WARNING

The vibration emission level given in this information sheet has been measured in accordance with a standardised test given in EN 60745 and may be used to compare one tool with another. It may be used for a preliminary assessment of exposure. The declared vibration emission level represents the main applications of the tool. However if the tool is used for different applications, with different accessories or poorly maintained, the vibration emission may differ. This may significantly increase the exposure level over the total working period.

An estimation of the level of exposure to vibration should also take into account the times when the tool is switched off or when it is running but not actually doing the job. This may significantly reduce the exposure level over the total working period. Identify additional safety measures to protect the operator from the effects of vibration such as: maintain the tool and the accessories, keep the hands warm, organisation of work patterns.

FR Niveau de vibrations

⚠ AVERTISSEMENT

Le niveau d'émission des vibrations indiqué dans cette feuille d'information a été mesuré en concordance avec un test normalisé fourni par EN 60745 et peut être utilisé pour comparer un outil à un autre. Il peut être utilisé pour une évaluation préliminaire de l'exposition. Le niveau déclaré d'émission des vibrations s'applique à l'utilisation principale de l'outil. Toutefois, si l'outil est utilisé pour des applications différentes, avec des accessoires différents, ou mal entretenu, l'émission de vibrations peut être différente. Le niveau d'exposition peut en être augmenté de façon significative tout au long de la période de travail.

Une estimation du niveau d'exposition aux vibrations doit aussi prendre en compte les périodes où l'outil est arrêté ainsi que les périodes où il fonctionne sans vraiment travailler. Le niveau d'exposition pendant la durée totale du travail peut en être réduit de façon significative. Prenez en considération les mesures additionnelles de sécurité à prendre pour protéger l'opérateur des effets des vibrations telles que: maintien de l'outil et de ses accessoires, maintien des mains au chaud, organisation du travail.

DE Vibrationsgrad

⚠ WARNUNG

Der in diesem Informationsblatt genannte Schwingungspegel wurde entsprechend dem standardisierten Test von EN 60745 gemessen und kann benutzt werden um das Werkzeug mit anderen zu vergleichen. Er kann benutzt werden, um eine vorausgehende Einschätzung der Exposition durchzuführen. Der genannte Schwingungspegel repräsentiert den Haupteinsatzbereich des Werkzeugs. Jedoch kann das Werkzeug für verschiedene Einsatzbereiche benutzt werden. Mit unterschiedlichen Zusatzgeräten oder bei schlechter Wartung kann der Schwingungspegel unterschiedlich sein. Dadurch kann die Expositionshöhe über die gesamte Arbeitszeit signifikant erhöht werden.

Eine Einschätzung der Exposition zu Schwingungen sollte auch die Zeiten wenn das Werkzeug ausgeschaltet ist, oder wenn es angeschaltet aber nicht in Betrieb ist, in Betracht ziehen. Dadurch kann die Expositionshöhe über die gesamte Arbeitszeit signifikant reduziert werden. Identifizieren Sie zusätzliche Sicherheitsmaßnahmen um die Bedienungsperson vor den Effekten der Schwingungen zu schützen, wie zum Beispiel: Das Werkzeug und Zusatzgeräte warten, Hände warmhalten und Organisation der Arbeitszeiten.

ES Nivel de vibración

⚠ ADVERTENCIA

El nivel de emisión de las vibraciones que figura en esta hoja de información se ha medido según una prueba estandarizada que figura en EN 60745 y puede ser utilizado para comparar una herramienta con otra. Puede ser utilizado para una evaluación preliminar de la exposición. El nivel de emisión de las vibraciones declarado representa las principales aplicaciones de la herramienta. No obstante, si la herramienta se utiliza para diferentes aplicaciones, con diferentes accesorios o no recibe el mantenimiento adecuado, la emisión de las vibraciones puede ser diferente. Esto puede aumentar significativamente el nivel de exposición durante el período de trabajo total.

Una estimación del nivel de exposición a la vibración también debe tener en cuenta el tiempo en el que la herramienta está desconectada o cuando está conectada pero no está realizando ningún trabajo. Esto puede reducir significativamente el nivel de exposición durante el período de trabajo total. Identificar las medidas de seguridad adicionales para proteger al operador de los efectos de las vibraciones, tales como: mantenimiento de la herramienta y de los accesorios, y la organización de los patrones de trabajo.

IT Livello di vibrazioni

⚠ AVVERTENZE

Il livello di vibrazioni indicato in questo foglio informativo è stato misurato seguendo un test svolto secondo i requisiti indicati dallo standard EN 60745 e potrà essere utilizzato per paragonare un utensile con un altro. Potrà essere utilizzato per una valutazione preliminare dell'esposizione a vibrazioni. Il livello dichiarato di emissioni di vibrazioni viene indicato tenendo conto delle applicazioni principali dell'utensile. Comunque se l'utensile viene utilizzato per applicazioni diverse con accessori diversi o non viene correttamente conservato, il livello delle vibrazioni potrà variare. Ciò potrà significativamente aumentare il livello di esposizione alle vibrazioni durante il periodo di lavoro totale.

Una valutazione del livello di esposizione alle vibrazioni dovrà inoltre prendere in considerazione i tempi in cui l'utensile viene spento o è acceso ma non viene utilizzato. Ciò potrà significativamente ridurre il livello di esposizione in un periodo totale di funzionamento. Ulteriori misure di sicurezza per proteggere l'operatore dagli effetti delle vibrazioni come: conservare correttamente l'utensile e i suoi accessori, tenere le mani calde e organizzare i tempi di lavoro.

NL Trillingsniveau

⚠ WAARSCHUWING

Het trillingsemissieniveau dat op dit informatieblad wordt gegeven, is gemeten in overeenstemming met een gestandaardiseerde test, vastgelegd in EN 60745 en mag worden gebruikt om machines met elkaar te vergelijken. Het verklaarde trillingsemissieniveau geeft de hoofdtoepassing van het gereedschap weer. Als de machine echter voor andere toepassingen of met andere accessoires wordt gebruikt of slecht wordt onderhouden, kan de trillingsemisie verschillen. Dit kan de blootstelling gedurende de gehele werkduur aanzienlijk verhogen.

Bij een schatting van het niveau van blootstelling aan trillingen moet ook rekening worden gehouden met het aantal keren dat de machine wordt uitgeschakeld of draait, maar niet wordt gebruikt. Dit kan het niveau van blootstelling gedurende de gehele werkduur aanzienlijk verlagen. Stel bijkomende veiligheidsmaatregelen op om de gebruiker tegen de gevolgen van trillingen te beschermen: zoals onderhoud het gereedschap en de accessoires, houd de handen warm, de organisatie van werkpatronen.

PT Nivel de vibração

⚠ AVISO

O nível de emissão de vibrações fornecido nesta folha de informações foi medido em conformidade com o teste uniformizado descrito em EN 60745 e pode ser usado para comparar uma ferramenta com outra. Este pode ser usado para uma avaliação preliminar da exposição. O nível de emissão de vibração declarado refere-se à aplicação principal da ferramenta. Contudo, se a ferramenta for usada para aplicações diferentes, com acessórios diferentes ou não for devidamente mantida, a emissão de vibrações pode diferir. Isto pode fazer aumentar significativamente o nível de exposição ao longo do período de trabalho total.

Uma estimativa do nível de exposição às vibrações deve ter, também, em consideração o tempo durante o qual a ferramenta está desligada ou em que está ligada mas não está a realizar qualquer trabalho. Isto pode reduzir significativamente o nível de exposição durante o período total de trabalho. Identifique medidas adicionais de segurança que protejam o operário dos efeitos da vibração como a manutenção da ferramenta e dos acessórios, a manutenção das mãos quentes e a organização de padrões de trabalho.

DA Vibrationsniveau

⚠ ADVARSEL

Det angivne niveau for vibrationsemission på denne oplysningside er blevet målt iht. en standardtest ifølge EN 60745 og kan bruges til at sammenligne værktøjer indbyrdes. Det kan bruges til en foreløbig eksponeringsvurdering. Det opgivne niveau for vibrationsemission gælder, når værktøjet bruges til sit hovedformål. Men hvis værktøjet bruges til andre formål, med forskelligt eller med dårligt vedligeholdt ekstraudstyr, kan vibrationsemissionen variere. Dette kan medføre en betragtelig stigning i eksponeringsniveauet set over hele arbejdsperioden.

Et skøn over niveauet for vibrationseksponering bør også tage højde for de perioder, hvor værktøjet er slukket, eller hvor det er tændt uden faktisk at være i brug. Dette kan medføre en betragtelig reduktion i eksponeringsniveauet set over hele arbejdsperioden. Træf ekstra sikkerhedsforanstaltninger til beskyttelse af operatøren mod virkningerne fra vibrationen som fx: vedligeholdelse værktøj og ekstraudstyr, holde hænderne varme, organisere arbejdsmonstre.

SV Vibrationsnivå

⚠ VARNING

Vibrationsnivåerna som uppges i det här dokumentet har uppmäts i enlighet med ett standardiserat test som beskrivs i EN 60745 och som kan användas för att jämföra verktyg. Det kan användas som en preliminär bedömning av den vibration som användaren utsätts för. De deklarerade vibrationsvärdena motsvarar de som uppstår när verktyget används i sitt huvudsyfte. Om verktyget används i andra syften, med andra tillbehör eller om verktyget är dåligt underhållet kan vibrationsnivåerna vara annorlunda. Det kan krävas öka vibrationsnivåerna över den totala arbetsperioden.

En uppskattning av vibrationsnivåerna som användaren utsätts för ska också ta hänsyn till de stunder då verktyget är avstängt och när det går på tomgång. Detta kan kraftigt minska vibrationsnivåerna över den totala arbetsperioden. Andra säkerhetsåtgärder som kan skydda användaren från effekterna av vibrationer är underhållning av verktyget och tillbehören, hålla händerna varma och organisera arbets sättet.

FI Tärinätsäso

⚠ VAROITUS

Tämän tiedotteen tärinätsäso on mitattu EN 60745-standardien mukaisilla testeillä, ja niitä voidaan käyttää verrattaessa laitetta toiseen. Sitä voidaan käyttää arvioitaessa tärinävaikutusta. Ilmoitettu tärinätsäso vastaa laitteen pääasiallista käyttöä tarkoitusta. Jos laitetta kuitenkin käytetään muuhun tarkoitukseen, muilla lisälaitteilla tai huonosti huollettuina, tärinätsäso saattaa poiketa ilmoitetusta arvosta. Tämä voi kasvatata kokonaisaltistumista huomattavasti koko työjakson kuluessa. Tärinän altistumistasoa arvioitaessa tulee huomioida ajat, jolloin laite on sammutettu tai kun se on käynnissä, mutta sitä ei käytetä varsinaiseen työskentelyyn. Tämä voi vähentää kokonaisaltistumista huomattavasti koko työjakson kuluessa. Käytä muitakin suojakeinoja turvataksesi käyttäjän tärinävaikutukselta, kuten: huolla laite ja lisälaitteet, pidä kätesi lämpiminä, organiso i työnkulku.

NO Vibrasjonsnivå

⚠ ADVARSEL

Vibrasjonsnivået som oppgis på dette informasjonsarket er målt i henhold til en standardisert test gitt i EN 60745 og kan brukes til å sammenligne ett verktøy med et annet. Det kan brukes til en foreløpig vurdering av eksponering. Det erklærte vibrasjonsnivået representerer hovedsaken for verktøyet. Dersom verktøyet brukes for andre anvendelser, med forskjellig tilbehør eller med dårlig vedlikehold, vil vibrasjonsnivået kunne være annerledes. Det kan gi en betydelig økning av eksponeringsnivået over den totale arbeidsperioden.

En beregning av nivået for eksponering til vibrasjoner må også ta hensyn til den tiden verktøyet er slått av eller er i gang men ikke i faktisk bruk for å utføre den tiltenkte oppgaven. Dette kan gi en betydelig økning av eksponeringsnivået over den totale arbeidsperioden. Identifiser ytterligere sikkerhetstiltak for å beskytte den som bruker verktøyet fra virkningen av vibrasjoner, tiltak som: Vedlikehold verktøyet og tilbehøret, hold hendene varme, organiser arbeidsmetodene.

RU Уровень вибрации

⚠ ОСТОРОЖНО!

Уровень вибрации, приведенный в данном справочном листе, измерен согласно стандартизованным испытаниям, определенным в EN 60745 и может использоваться для сравнения различных инструментов. Значение уровня может использоваться для предварительной оценки влияния вибрации. Заявленный уровень вибрации действителен для основного применения инструмента. Однако, если инструмент используется для других целей, с другими приспособлениями, или плохо обслуживается, уровень вибрации может отличаться от указанного. Это может значительно увеличить величину воздействия за общее время работы.

При оценке уровня воздействия вибрации следует также принять во внимание время простоя и холостой ход (когда инструмент выключен и когда включен, но работа не производится). Эти факторы могут значительно уменьшить величину воздействия вибрации за общее время работы. Определите дополнительные меры безопасности, защищающие работающего от влияния вибрации: техническое обслуживание инструмента и принадлежностей, недопущение охлаждения рук, соответствующие приемы и распорядок работы.

PL Poziom drgań

⚠ OSTRZEŻENIE

Deklarowany poziom drgań został zmierzony za pomocą standardowej metody pomiaru określonej normą EN 60745 i jego wyniki mogą służyć do porównywania tego urządzenia z innymi. Deklarowana wartość drgań może służyć do wstępnej oceny narażenia operatora na drgania. Deklarowany poziom drgań dotyczy podstawowych zastosowań urządzenia. Jednak w przypadku użycia urządzenia do innych zastosowań, z innymi przystawkami lub w przypadku niewłaściwego stanu technicznego urządzenia poziom drgań może odbiegać od deklarowanego. Może być to przyczyną zwiększenia stopnia narażenia operatora na drgania w całym okresie wykonywania pracy.

Podczas oceny narażenia na drgania należy również uwzględnić czas wyłączenia urządzenia oraz czas, w którym urządzenie jest włączone, jednak praca nie jest wykonywana. Czasy te mogą znacznie zmniejszyć stopień narażenia operatora na drgania w całym okresie wykonywania pracy. Należy określić dodatkowe środki ochrony operatora przed skutkami drgań, przykładów: dbać o stan techniczny urządzenia i przystawek, dbać o zachowanie ciepłoty dłoni, odpowiednio zorganizować harmonogram wykonywania prac.

CS Úroveň vibrací

⚠ VAROVÁNÍ

Hodnota vibračních emisí uvedená v tomto informačním listu byla naměřena standardizovaným testem podle EN 60745 a ji použít k porovnání s hodnotami jiných nástrojů. Může se používat k předběžnému odhadu vystavování vibracím. Uznaná hodnota vibračních emisí reprezentuje hlavní použití nástroje. Nicméně pokud se nástroj používá pro jiné použití, s různými doplňky nebo se nedostatečně neudržuje, mohou se vibrační emise lišit. Toto může výrazně zvýšit úroveň vystavení nad celkové pracovní období.

Odhad úrovně vystavení vibracím by měl vzít taktéž v potaz časy, kdy je chvění vypnuto, nebo když přístroj běží, ale nevykonává práci. Toto může výrazně snížit úroveň vystavení nad celkové pracovní období. Určete doplňující bezpečnostní opatření pro ochranu obsluhy před různými vibracemi, například: Udržujte nástroj a doplňky, udržujte ruce v teple, organizujte pracovní schéma.

HU Vibrációszint

⚠ FIGYELMEZTETÉS

A vibráció-kibocsátás adatlapon megadott értéke az EN 60745 által meghatározott szabványosított mérési eljárás szerint lett megmérve, amely lehetővé teszi a különböző szerszámok összehasonlítását. Használható a kitettség előzetes felmérésére is. A nyilatkozatban szereplő kibocsátási érték a szerszám főbb alkalmazási területeire vonatkozik. Ugyanakkor, ha a szerszámot más alkalmazásokra, más kiegészítőkkel használják vagy rosszul tartják karban, a vibráció-kibocsátás értéke ettől eltérő is lehet. Ez jelentősen növelheti a kitettség szintjét a gép teljes használati időtartama során.

A vibrációnak való kitettség szintjének becslésekor figyelembe kell venni azokat az időintervallumokat is, amikor a szerszám ki van kapcsolva, vagy működik, de nem végeznek munkát vele. Ez jelentősen csökkentheti a kitettség szintjét a gép teljes használati időtartama során. Tegyén további óvintézkedéseket a kezelő vibrációval szembeni megvédése érdekében: tartsa karban a szerszámot és a tartozékokat, tartsa melegen a kezét, tervezzé meg a munkafolyamatot.

RO Nivelul vibrațiilor

⚠ AVERTISMENT

Nivelul emisiilor de vibrații prezentat în cadrul acestei fișe cu informații a fost măsurat în conformitate cu un test standardizat furnizat în EN 60745 și poate fi folosit la a compara o unealtă cu o alta. Poate fi folosit la o evaluare preliminară a expunerii. Nivelul declarat al emisiilor de vibrații reprezintă aplicațiile principale ale unelei. Cu toate acestea, în cazul în care unealta este utilizată pentru aplicații diferite, cu accesorii diferite sau întreținute necorespunzător, emisiile de vibrații pot diferi. Acestea pot crește semnificativ nivelul de expunere pe întreaga perioadă de lucru.

O estimare a nivelului de expunere la vibrații trebuie, de asemenea, să țină cont de tălile în care unealta este oprită sau de tălile în care aceasta funcționează fără a efectua propriu-zis sarcina de lucru. Acestea pot reduce semnificativ nivelul de expunere pe întreaga perioadă de lucru. Identificați măsuri de siguranță suplimentare pentru a proteja operatorul de efectele vibrațiilor, precum: întreținerea unelei și a accesoriilor, păstrarea mâinilor calde, organizarea de modele de lucru.



LV Vibrācijas līmenis

▲ BRĪDINĀJUMS

Šajā datu lapā dotā vibrāciju emisijas vērtība ir mērīta saskaņā ar standartizēto testu, kas dots EN 60745 un kuru var izmantot, lai salīdzinātu vienu instrumentu ar citu. To var izmantot aptuvenam ekspozīcijas novērtējumam. Deklarētais vibrāciju emisijas līmenis atbilst galvenajiem instrumenta pielietojumiem. Tomēr, ja instrumentu lieto citiem pielietojumiem, ar citiem piederumiem vai tas tiek slīkti apkopts, vibrāciju emisijas vērtība var atšķirties. Tas var ievērojami palielināt ekspozīcijas līmeni visā darba periodā.

Vibrāciju ekspozīcijas līmeņa novērtējumam jāņem vērā laiks, kad instruments ir izslēgts vai ir ieslēgts, bet nevis nekādu darbu. Tas var ievērojami samazināt ekspozīcijas līmeni visā darba periodā. Identificējiet papildu drošības pasākumus, lai aizsargātu operatoru no vibrāciju iedarbības, piemēram, veiciet instrumenta un piederumu apkopi, turiet rokas siltas un pielāgojiet darba grafiku.

LT Vibracijos lygis

▲ ĮSPĖJIMAS

Šiame lape nurodytas vibracijos emisijos lygis buvo išmatuotas pagal standartinį testą, aprašytą EN 60745, ir gali būti naudojamas vieno įrankio su kitu palyginimui. Jis gali būti naudojamas preliminariam pavojaus įvertinimui. Deklaruotas vibracijos emisijos lygis priskiriamas pagrindinėms įrankio taikymo sritims. Tačiau, jei įrankis naudojamas kitiems tikslams, su kitokiais priedais ar įrankis prastai prižiūrimas, vibracijos emisija gali skirtis. Per visą darbo laikotarpį tai gali žymiai padidinti vibracijos keliamą pavojų.

Nustatant vibracijos keliamą pavojų taip pat būtina atsižvelgti į tai, kiek kartų įrankis yra išjungtas ar kai jis veikia, bet juo iš tikrųjų nedirbama. Per visą darbo laikotarpį tai gali žymiai sumažinti vibracijos keliamą pavojų. Naudokite papildomas apsaugos priemones dirbančiam asmeniui apsaugoti nuo vibracijos poveikio, pvz.: prižiūrėti įrankį ir jo priedus, rankas laikyti šiltai, organizuoti darbo sesijas.

ET Vibratsioonitase

▲ HOIATUS

Sellel infolehel esitatud vibratsioonitase väärtused on mõeldud standardis EN 60745 kirjeldatud katsetootudiga ja seda võib kasutada tööriistade omavaheliseks võrdlemiseks. Seda võib kasutada vibratsioonimõju eelhindamiseks. Deklareeritud vibratsioonitase väärtused kehtib tööriista tavakasutamisel. Kui aga kasutate tööriista muudeks kasutusotstarveteks, eriotstarbeliste tarvikutega või kui tööriist on puudulikult hooldatud, siis võib vibratsiooniväärtused erineda. Sellistel juhtudel võib tööperioodi summaarne vibratsioonitase suureneda märgatavalt.

Vibratsiooniväärtuse tasest tuleb arvesse võtta ka sel ajal, kui tööriist on välja lülitatud või kui tööriist pöörleb, kuid ei tee tööoperatsiooni. Sellistel juhtudel võib tööperioodi ajal summaarne vibratsioonitase väheneda märgatavalt. Määrake kindlaks täiendavad ohutusmeetmed, et kaitsta operaatorit vibratsioonimõjude eest – tööriistade ja tarvikute hooldamine, kätte soojas hooldimine ja töövahetuste organiseerimine.

HR Razina vibracije

▲ UPOZORENJE

Razina vrijednosti vibracija data u ovoj tablici s informacijama mjerena je skladno normiranom testu pruženom u EN 60745 i može se koristiti za usporedbu jednog alata s drugim. Može se koristiti u početnom usklađivanju izloženosti. Objavljena razina vrijednosti vibracija predstavlja glavnu primjenu alata. Međutim, ako se alat koristi za druge primjene, s različitim dodatnim priborom ili je slabo održavan, vrijednost vibracija može se razlikovati. Ovo može značajno povećati razinu izloženosti tijekom ukupnog radnog razdoblja.

U procjeni razine izloženosti na vibraciju također treba uzeti u obzir vrijeme kada je alat isključen ili kada je pokrenut no ne i stvarno vrijeme rada. Ovo može značajno smanjiti razinu izloženosti tijekom ukupnog radnog razdoblja. Odredite dodatne sigurnosne mjere za zaštitu operatera od učinaka vibracije poput: održavanje alata i pribora, održavanje toplih ruku, organizacija obraza za rad.

SL Raven vibracij

▲ OPOZORILO

Nivo emisiji vibracij, naveden v tem informacijskem listu, je bil izmerjen v skladu s standardiziranim testom, ki je podan v EN 60745, podatek pa se lahko uporablja za primerjavo enega orodja z drugim. Uporablja se ga lahko za predhodno oceno izpostavljenosti. Naveden nivo emisij vibracij predstavlja glavne uporabe orodja. Vendar, če se orodje uporablja v druge namene in z različnimi nastavki oz. če je orodje slabo vzdrževano, se lahko emisije vibracij razlikujejo. To lahko občutno poveča nivo izpostavljenosti v skupnem delovnem času.

Ocena nivoja izpostavljenosti vibracijam bi morala prav tako upoštevati, koliko krat je orodje bilo izključeno ali je v delovanju in pravzaprav ne opravlja svojega dela. To lahko občutno zmanjša nivo izpostavljenosti v skupnem delovnem času. Upoštevajte dodatne varnostne ukrepe, da bi upravljavca zaščitili pred vplivom vibracij, kot je: vzdržujte orodje in nastavke, pazite, da so roke tople, organizirajte delovne vzorce.

SK Úroveň vibrácií

▲ VAROVANIE

Úroveň emisie vibrácií, uvedená v tomto informačnom hárku bola nameraná v súlade so štandardizovaným testom, daný normou EN 60745 a môže sa použiť na porovnanie jedného nástroja s druhým. Môže sa použiť na predbežné určenie miery vystavenia sa vibráciám. Uvedená úroveň emisie vibrácií predstavuje hlavné aplikácie nástroja. Avšak keď sa nástroj používa na iné aplikácie, s rôznym príslušenstvom alebo má zľú údržbu, úroveň vibrácií sa môže líšiť. Týmto sa môže výrazne zvýšiť úroveň vystavenia sa vibráciám počas celkového času práce.

Odhad úrovne vystavenia sa vibráciám by sa mal brať tiež do úvahy, vždy, keď sa nástroj vypne, alebo potom, keď beží ale v skutočnosti sa nevykonáva práca. Týmto sa môže výrazne znížiť úroveň vystavenia sa vibráciám počas celkového času práce. Nasledovné dopĺňajúce bezpečnostné opatrenia pomôhajú chrániť operátora od účinkov vibrácií: údržba nástroja a príslušenstva, udržiavanie teplých držadiel, organizácia práce.

BG Ниво на вибрация

▲ ВНИМАНИЕ

Посоченото в тези инструкции ниво на вибрациите е измерено в съответствие със стандартизиран в EN 60745 измервателен метод и може да се използва за сравнение на електрическия инструмент помежду им. Подходящ е и за временна оценка на вибрационното натоварване.

Посоченото ниво на вибрациите представя основните приложения на електрическия инструмент. Ако обаче електрическият инструмент се използва с друго предназначение, с различни сменяеми инструменти или при недостатъчна техническа поддръжка, нивото на вибрациите може да е различно. Това чувствително може да увеличи вибрационното натоварване по време на целия работен цикъл.

За точната оценка на вибрационното натоварване трябва да се вземат предвид и периодите от време, в които уредът е изключен или работи, но в действителност не се използва. Това чувствително може да намали вибрационното натоварване по време на целия работен цикъл.

Определете допълнителни мерки по техника на безопасност в защита на обслужващия работник от въздействието на вибрациите като например: техническа поддръжка на електрическия инструмент и сменяемите инструменти, поддръжане на ръцете топли, организация на работния цикъл.



EN LIMITED WARRANTY

TTI warrants this outdoor product to be free of defects in material and workmanship for 24 months from the date of purchase by the original purchaser, subject to the limitations below. Please keep your invoice as proof of date of purchase.

This warranty is only applicable where the product is used for personal and non-commercial purposes. This warranty does not cover damage or liability caused by / due to misuse, abuse, accidental or intentional acts by user, improper handling, unreasonable use, negligence, failure by end user to follow operating procedures outlined in the user's manual, attempted repair by non-qualified professional, unauthorized repair, modification, or use of accessories and/or attachments not specifically recommended by authorized party. Please see your local dealer for list of authorized service centers in your area.

This warranty does not cover belts, brushes, bags, bulbs or any part which ordinary wear and tear results in required replacement during warranty period. This warranty does not cover transportation cost or consumable items such as fuses and batteries.

This limited warranty is void if the product's original identification (trade mark, serial number) markings have been defaced, altered or removed or if product is not purchased from an authorized reseller or if product is sold AS IS and / or WITH ALL FAULTS.

Subject to all applicable local regulations, the provisions of this limited warranty are in lieu of any other written warranty, whether express or implied, written or oral, including any warranty of MERCHANTABILITY OR FITNESS FOR A PARTICULAR PURPOSE. IN NO EVENT SHALL WE BE LIABLE FOR SPECIAL, INCIDENTAL, CONSEQUENTIAL OR INCIDENTAL DAMAGES. OUR MAXIMUM LIABILITY SHALL NOT EXCEED THE ACTUAL PURCHASE PRICE PAID BY YOU FOR THE PRODUCT.

This warranty is valid only in the European Union, Australia and New Zealand. Outside these areas, please contact your authorized Ryobi dealer to determine if another warranty applies.

AUTHORISED SERVICE CENTRE

To find an authorised service centre near you, visit ryobitools.eu.

FR GARANTIE LIMITÉE

TTI garantit ce produit d'extérieur contre tout défaut de pièces et de main d'œuvre pour une durée de 24 mois à partir de la date d'achat par le premier acquéreur, avec les limitations ci-dessous. Veuillez conserver votre facture qui attestera de la date d'achat.

Cette garantie ne s'applique que pour un usage privé et non commercial du produit. Cette garantie ne couvre pas les dommages ou les responsabilités dus à une mauvaise utilisation, à un mauvais traitement accidentel ou intentionnel, à une mauvaise manipulation, à une utilisation déraisonnée, à de la négligence, au non respect par l'utilisateur final des procédures d'utilisations encadrées du mode d'emploi, à une tentative de réparation par du personnel non qualifié, à une réparation non autorisée, à une modification, ou l'utilisation d'accessoires non spécifiquement recommandés par une instance autorisée.

Cette garantie ne couvre pas les courroies, brosses, sacs, ampoules ou autres pièces d'usure normale dont le remplacement est nécessaire durant la période de garantie. Sauf mention contraire des lois applicables, cette garantie ne couvre pas les frais de port ou les consommables tels les fusibles.

Cette garantie limitée sera annulée si la signalétique d'identification originale (marque, n° de série) est effacée, abîmée ou absente ou si le produit n'a pas été acheté chez un revendeur autorisé ou si le produit est vendu TEL QUEL et/ou DANS L'ÉTAT.

Sujettes à toutes les lois locales applicables, les dispositions de cette garantie limitée remplacent toute autre garantie écrite, expresse ou implicite, écrite ou orale, y compris toute garantie de VALEUR MARCHANDE OU CORRESPONDANT À UNE UTILISATION PARTICULIÈRE. NOUS NE SERONS EN AUCUN CAS TENUS RESPONSABLES DES DOMMAGES SPÉCIAUX, DES FAUX-FRAIS, DES CONSÉQUENCES OU DOMMAGES SECONDAIRES. NOTRE RESPONSABILITÉ MAXIMALE N'EXCÉDERA PAS LE PRIX PAYÉ PAR L'ACQUÉREUR LORS DE L'ACHAT DU PRODUIT.

Cette garantie n'est valable qu'au sein de l'Union Européenne, de l'Australie, et de la Nouvelle Zélande. En dehors de ces zones, veuillez contacter votre distributeur Ryobi autorisé pour vérifier si d'autres garanties sont applicables.

SERVICE APRÈS-VENTE AGRÉÉ

Pour trouver le service après-vente agréé le plus proche, rendez-vous sur ryobitools.eu.

DE EINGESCHRÄNKTE GARANTIE

TTI garantiert, dass dieses Produkt für den Außengebrauch im Hinblick auf Material und Verarbeitungsgüte frei ist von allen Defekten, gültig für einen Zeitraum von 24 Monaten ab Datum des Kaufs durch den originalen Käufer, jedoch abhängig von den unten stehenden Beschränkungen. Bitte bewahren Sie Ihre Rechnung als Beweis des Kaufdatums auf.

Diese Garantie ist nur dann anwendbar, wenn das Produkt für persönliche und nicht-kommerzielle Zwecke verwendet wird. Diese Garantie erstreckt sich nicht auf einen Schaden oder Haftung, die durch/aufgrund von falscher Anwendung, Missbrauch, zufälligen oder absichtlichen Handlungen des Nutzers verursacht wurden, oder durch eine unsachgemäße Handhabung, Nachlässigkeit oder das Versäumnis des Endnutzers, die im Benutzerhandbuch angegebenen Anweisungen zu befolgen, oder die versuchte Reparatur durch nicht-qualifiziertes Personal, die Modifikation oder Nutzung von Zubehörteilen und/oder Zusatzgeräten, die von der autorisierten Partei nicht ausdrücklich empfohlen werden.

Diese Garantie erstreckt sich nicht auf Riemen, Bürsten, Taschen, Birnen oder jedes sonstige Teil, das einer gewöhnlichen Abnutzung unterliegt und einen Ersatz im Rahmen des Garantiezeitraums erforderlich macht. Außer für den Fall einer ausdrücklichen ge-setzlichen Vorschrift erstreckt sich diese Garantie nicht auf Transportkosten oder Verbrauchsgüter wie Sicherungen.

Diese eingeschränkte Garantie ist nichtig, falls die originalen Kennzeichen (Handelsmarke, Seriennummer) beschädigt, geändert oder entfernt wurden, oder falls das Produkt nicht bei einem autorisierten Einzelhändler gekauft, oder falls das Produkt in seinem IST-Zustand und / oder MIT ALLEN VORHANDENEN MÄNGELN verkauft wurde.

Abhängig von den anwendbaren lokalen Vorschriften gelten die Bestimmungen dieser Garantie anstelle jeder anderen schriftlichen Garantie, sie sei schriftlich oder mündlich, einschließlich jeder VERTRIEBSGARANTIE ODER GARANTIE IM HINBLICK AUF DIE GEEIGNETHEIT FÜR EINEN BESTIMMTEN ZWECK, UNTER KEINEM UM-STANDEN HASTEN WIR FÜR SPEZIAL-, ZUFALLS-, FOLGE- ODER UNFALL-SCHÄDEN. UNSERE GESAMTHAFUNG SOLL DEN TATSÄCHLICHEN KAUF-PREIS, DER FÜR DAS PRODUKT GEZAHLT WURDE, NICHT ÜBERSCHREITEN.

Diese Garantie ist nur gültig in der Europäischen Union, Australien und Neuseeland. Bitte kontaktieren Sie Ihren autorisierten Ryobi-Händler außerhalb dieser Regionen, um festzulegen, ob eine andere Garantieleistung anzuwenden ist.

AUTORISIERTER KUNDENDIENST

Besuchen Sie ryobitools.eu, um einen autorisierten Kundendienst in Ihrer Nähe zu finden.

ES GARANTÍA LIMITADA

TTI garantiza que este producto para uso externo estará libre de defectos en cuanto a materiales o mano de obra durante 24 meses desde la fecha de compra por el comprador original, sujeto a las limitaciones de abajo. Por favor guarde su factura como prueba de la fecha de compra.

Esta garantía sólo es aplicable donde se use el producto para propósitos personales y no comerciales. Esta garantía no cubre daños o responsabilidades causados o que se deban al mal uso, abuso, actos accidentales o intencionales por el usuario, manejo impropio, uso irrazonable, negligencia, por no seguir los procedimientos operativos descritos en el manual del usuario, intento de reparación por personal no calificado, reparación no autorizada, modificación o uso de accesorios y/o conexiones no específicamente recomendadas por la parte autorizada.

Esta garantía no cubre las correas, brochas, bolsas, bombillas o cualquier pieza que por el desgaste ordinario y natural resulte en el reemplazo necesario durante el período de garantía. A menos que se proporcione específicamente bajo la ley aplicable, esta garantía no cubre el costo de transporte o artículos consumibles tales como fusibles.

Esta garantía limitada será nula si las marcas de identificación original del producto (marca comercial, número de serie) se han borrado, alterado o retirado o si el producto no se ha comprado de un revendedor autorizado o si el producto se vende COMO ESTÁ y/o CON TODAS SUS FALLAS.

Sujeto a todas las regulaciones locales aplicables, las cláusulas de esta garantía limitada están en lugar de cualquier otra garantía por escrito, ya sea expresa o implícita, por escrito o verbal, incluso cualquier garantía de COMERCIALIZACIÓN O APTITUD PARA UN PROPÓSITO PARTICULAR. EN NINGÚN MOMENTO, SEREMOS RESPONSABLES DE DAÑOS ESPECIALES, INCIDENTALES, CONSECUENTES O INCIDENTALES. NUESTRA RESPONSABILIDAD MÁXIMA NO EXCEDERÁ AL PRECIO DE COMPRA REAL PAGADO POR USTED POR EL PRODUCTO.

Esta garantía sólo es válida en la Unión Europea, Australia y Nueva Zelanda. Fuera estas áreas, por favor póngase en contacto con su distribuidor autorizado de Ryobi para determinar si aplica otra garantía.

SERVICIO TÉCNICO AUTORIZADO

Para encontrar el servicio técnico autorizado más cercano, visite ryobitools.eu.



DICHIARAZIONE DI GARANZIA LIMITATA

I prodotti per esterni della TTI sono garantiti esenti da difetti originari di conformità per un periodo di 24 mesi dalla data di consegna all'utente finale originale, con le limitazioni di cui sotto. Si prega di conservare lo scontrino d'acquisto come prova di vendita originale e verifica della data del periodo di garanzia.

Questa garanzia copre il prodotto solo se quest'ultimo è stato utilizzato per scopi personali e non commerciali. Questa garanzia limitata non copre i danni causati da / derivanti da uso improprio, abuso, danni accidentali o intenzionali causati dall'utente, uso scorretto, incuria, negligenza, mancato rispetto da parte dell'utente delle procedure indicate nel manuale d'istruzioni, lavori effettuati da parti terze non qualificate, riparazioni non autorizzate, modifiche o uso di accessori e/o prolunghe non specificatamente raccomandate dalla ditta produttrice.

Questa garanzia non copre le cinghie di copertura, le spazzole, i sacchetti, le lampadine o qualsiasi altra parte che, a causa della sua normale usura o deterioramento, andrà sostituita durante il periodo di garanzia. A meno che non sia specificatamente indicato ai sensi della legge applicabile, questa garanzia non copre le spese di trasporto o gli elementi soggetti a usura come i fusibili.

Questa garanzia verrà invalidata qualora elementi di identificazione originale del prodotto (marchio registrato, numero di serie) saranno stati cancellati, alterati o rimossi o se il prodotto non è stato acquistato da un rivenditore autorizzato o se viene venduto "COSÌ COM'È" e / o CON DIFETTI.

In conformità con tutte le norme locali applicabili, le disposizioni indicate in questa garanzia sostituiscono qualsiasi altra garanzia scritta, espressa o implicita, scritta o orale, compreso qualsiasi garanzia di COMMERCIALIZZABILITÀ O IDONEITÀ A UN PARTICOLARE SCOPO. IN NESSUN CASO LA DITTA PRODUTTRICE SARÀ RESPONSABILE PER DANNI SPECIALI, ACCIDENTALI O CONSEGUENZIALI. LA RESPONSABILITÀ MASSIMA DELLA DITTA PRODUTTRICE NON SI ESTENDE OLTRE IL PREZZO PAGATO PER IL PRODOTTO DALL'UTENTE.

Questa garanzia è valida solo all'interno dell'Unione Europea, in Australia e Nuova Zelanda. Gli utenti dei paesi situati al di fuori di queste aree, sono pregati di contattare il proprio rivenditore autorizzato Ryobi per verificare se la garanzia applicata nel proprio paese è diversa dalla presente.

CENTRO SERVIZI AUTORIZZATO

Per individuare il più vicino centro servizi autorizzato, visitare il sito ryobitools.eu.



GARANTIA LIMITADA

Este produto Ryobi está garantido contra os vícios de fabrico e as peças A TTI garante que este produto para o exterior não contém defeitos no material ou no acabamento. Esta garantia é válida durante 24 meses a partir da data de compra pelo comprador de origem, sujeita às limitações referidas abaixo. Por favor, guarde a sua factura como prova de data de compra.

Esta garantia só se aplica quando o produto é utilizado para fins pessoais e não comerciais. Esta garantia não abrange danos ou responsabilidades causadas pelo uso incorrecto, abuso, actos accidentais ou intencionais pelo utilizador, manipulação indevida, uso não razoável, negligência, incumprimento do utilizador final em seguir os procedimentos de funcionamento referidos no manual de instruções, tentativa de reparação por um profissional não qualificado, reparações, modificações ou usos não autorizados dos acessórios e/ou peças anexas que não sejam especificamente recomendados pela parte autorizada.

Esta garantia não abrange as correias, escovas, sacos, lâmpadas ou qualquer peça cujo desgaste habitual resulte na sua substituição durante o período de garantia. Excepto se for especificado pela lei aplicável, esta garantia não abrange os custos de transporte ou os artigos consumíveis, tais como os fusíveis.

Esta garantia limitada é nula se as marcas de identificação original do produto (marca registada, número de série) tiverem sido danificadas, alteradas ou retiradas ou, se o produto não for comprado por um revendedor autorizado ou, se o produto for vendido como DEFEITUOSO e/ou COM TODAS AS FALHAS.

Sujeitas a todas as normas locais aplicáveis, as disposições desta garantia limitada substituem qualquer outra garantia por escrito, quer explícita ou implícita, escrita ou oral, incluindo qualquer garantia de CAPACIDADE DE EXPLORAÇÃO OU APTIDÃO PARA UM FIM PARTICULAR. EM NENHUM CASO SEREMOS RESPONSÁVEIS POR DANOS ESPECIAIS, INCIDENTAIS OU CONSEQUENTES. A NOSSA RESPONSABILIDADE MÁXIMA NÃO EXCEDERÁ O PREÇO DE COMPRA ACTUAL QUE TERÁ PAGO PELO PRODUTO.

Esta garantia só é válida na União Europeia, Austrália e Nova Zelândia. Fora dessas zonas, por favor contacte o seu revendedor autorizador Ryobi para determinar se é aplicável outra garantia.

CENTRO DE ASSISTÊNCIA AUTORIZADO

Para encontrar um centro de assistência autorizada próximo de si, visite ryobitools.eu.



BEPERKTE GARANTIE

TTI garandeert dat dit outdoorproduct vrij is van gebreken in materiaal of vakmanschap voor 24 maanden vanaf de aankoopdatum door de originele koper, behoudens de hieronder genoemde beperkingen. Gelieve uw rekening te bewaren als bewijs van aankoopdatum.

Deze garantie is slechts van toepassing waar het product voor persoonlijke en niet-commerciële doeleinden wordt gebruikt. Deze garantie erkent geen aansprakelijkheid voor schade veroorzaakt door of ontstaan uit oneigenlijk gebruik, misbruik, onbewuste of bewuste oneigenlijke handelingen door de gebruiker, onredelijk gebruik, nalatigheid, het niet opvolgen van de gebruiksaanwijzing door de eindgebruiker, reparaties uitgevoerd door een niet erkende vakman, onbevoegd reparaties, het wijzigen of gebruiken van toebehoren en/of onderdelen die niet specifiek door een erkende partij worden geadviseerd.

Deze garantie is niet van toepassing op riemen, borstels, zakken, lampjes of welk onderdeel dan ook dat aan gewone slijtage onderhevig is en binnen de garantieperiode vervangen dient te worden. Voor zover niet specifiek vermeld in de van toepassing zijnde wetgeving, dekt deze garantie geen vervoerskosten of consumptieproducten zoals onstekingen.

Deze beperkte garantie is nietig wanneer originele identificatiekenmerken van het product (merknaam, serienummer) niet meer leesbaar, gewijzigd of verwijderd zijn of wanneer het product niet van erkende handelaar wordt gekocht of als het product DUSDANIG EN/OF MET GEBREKEN wordt verkocht.

Met uitzondering van alle geldende lokale bepalingen, komen de bepalingen van deze beperkte garantie in plaats van elke andere geschreven garantie hetzij expliciet of impliciet, geschreven of mondeling, inclusief elke garantie van AANKOOP OF GESCHIKTHEID VOOR EEN BEPAALD DOEL. IN GEEN GEVAL ZIJN WIJ VOOR SPECIALE OF INCIDENTIELE SCHADE OF VERVOLGSCHADE AANSPRAKELIJK. DE MAXIMALE AANSPRAKELIJKHEID ZAL DE DAADWERKELIJKE DOOR U BETAALDE AANKOOPPRIJS NIET OVERSCHRIJDEN.

Deze garantie is slechts geldig binnen de Europese Unie, Australië en Nieuw Zeeland. Buiten deze gebieden, gelieve uw erkende Ryobi handelaar te contacteren om vast te stellen of een andere garantie van toepassing is.

GEAUTORISEERD ONDERHOUDSCENTRUM

Om een geautoriseerd onderhoudscentrum in uw buurt te vinden, surf t u naar ryobitools.eu.



BEGRÆNSET GARANTI

TTI garanterer at dette udendørs produkt er fri for defekter af materiale og håndværk i 24 måneder efter købsdatoen fra den oprindelige køber, dog med nedenstående begrænsninger. Gem venligst din kvittering som bevis for købsdato.

Denne garanti er kun gældende hvis produktet anvendes til personlig og ikke-kommercielle formål. Denne garanti dækker ikke skader eller erstatningsansvar forårsaget af / som følge af forkert anvendelse, misbrug, utilsigtede eller tilsigtede handlinger af brugeren, ukorrekt brug, urmelig brug, forsømmelighed, hvis brugeren ikke er i stand til at følge instruktionerne i brugermanualen, forsøgt reparation af en ikke-kvalificeret person, uautoriseret reparation, foretagelse af ændringer, eller brug af tilbehør og/eller dele som ikke specifikt er anbefalet af producenten.

Denne garanti dækker ikke bæltter, børster, tasker, pærer eller andre dele hvis almindelig slid og siltage kræver udskiftning indenfor garantiperioden. Med mindre det er specificeret under gældende lovgivning, så dækker denne garanti ikke transportomkostninger eller brugsartikler, såsom sikringer.

Denne begrænsede garanti annulleres hvis produktets originale identifikation (varemærke, serienummer) markeringer er ødelagt, ændret eller fjernet eller hvis produktet ikke er købt fra en autoriseret forhandler eller hvis produktet er solgt i AS IS og / eller WITH ALL FAULTS.

Er underlagt lokale regulativer, forudsætningerne for denne begrænsede garanti er i stedet for enhver anden skriftlig garanti, enten udtrykt eller antyder, skriftligt eller mundtligt, inklusive enhver garanti angående SALGBARHED ELLER EGNETHED TIL ET GIVENT FORMÅL. VI ER UNDER INGEN OMSTÆNDIGHEDER ANSVARLIG FOR SPECIELLE, RESULTERENDE ELLER TILFÆLDIGE SKADER. VORES MAKSIMALE ANSVAR KAN IKKE OVERSKRIDE DEN FAKTISKE KØBSPRIS BETALT FOR PRODUKTET.

Denne garanti er kun gældende i EU, Australien og New Zealand. Udenfor disse områder, så kontakt venligst din autoriserede Ryobi forhandler for at finde ud af, om en anden garanti måtte være gældende.

AUTORISERET SERVICECENTER

Find næmeste autoriserede servicecenter på: ryobitools.eu.



SV BEGRÄNSAD GARANTI

TTI garanterar att denna utomhusprodukt är fri från fel vad gäller material och tillverkning i 24 månader från originalinköparens inköpsdatum, begränsat enligt nedan. Behåll kvittot som bevis på inköpsdatum.

Denna garanti är enbart giltig där produkten används för personligt och icke-kommersiellt bruk. Denna garanti täcker inte skador eller ansvar orsakad av felanvändning, vanvård, oavsiktlig eller avsiktlig handling hos användaren, felaktig hantering, orimlig användning, vårdslöshet, slutanvändares misslyckande att följa användningsinstruktioner som framgår i användarmanualen, försök till reparation av icke-kvalificerad yrkesman, otillåten reparation, modifiering eller användning av tillbehör och/eller tillbyggnader som inte är rekommenderade av auktoriserad part.

Denna garanti täcker inte bälten, borstar, påsar, lampor eller andra delar som behöver bytas under garantiperioden på grund av normalt slitage. Denna garanti gäller inte transportkostnader eller förbrukningsartiklar så som säkringar, om inte annat anges i applicerbar lag.

Denna begränsade garanti är förbrukad om produktens originalidentifikationsmärken (trade mark, serienummer) är borttagna, ändrade eller borttagna eller om produkten inte är inköpt från en auktoriserad återförsäljare eller om produkten är såld i befintligt skick.

Föremål för alla applicerbara, lokala ordningsregler. Villkoren i denna begränsade garanti gäller istället för alla andra skrivna garantier, oavsett om de är uttryckta eller implicerade, skriva eller muntliga, inklusive alla garantier för SÄLJBARHET ELLER LÄMPLIGHET FÖR ETT SPECIELLT SYFTE. VI KAN ALDRIG HÅLLAS ANSVARIGA FÖR SPECIELLA, OAVSIKTLIGA, FÖLJDRIKTIGA ELLER OAVSIKTLIGA SKADOR. VÅRT MAXIMALA ANSVAR SKA INTE ÖVERSTIGA DET FAKTISKA INKÖPSPRISSET SOM DU BETALADE FÖR PRODUKTEN.

Denna garanti gäller endast inom den Europeiska Unionen, i Australien och i Nya Zeeland. Kontakta din auktoriserade Ryobi-handlare för att avgöra om några andra garantier gäller utanför dessa områden.

AUKTORSERAT SERVICECENTER

Du hittar närmaste auktoriserade servicecenter genom att gå till ryobitools.eu.

NO GARANTIBEGRENSNINGER

TTI garanterar att dette produktet til utendørs bruk er fri for feil i material og tilvirkning i 24 måneder fra datoen når det opprinnelige ble kjøpt med de begrensninger som er gitt nedenfor. Vennligst ta vare på kvitteringen som bevis på kjøpsdato.

Denne garantien kommer kun til anvendelse dersom produktet brukes privat og i ikke kommersiell sammenheng. Denne garantien dekker ikke skader eller ansvar forårsaket av / forårsaket av feil bruk, misbruk, dersom brukeren gjør noe utilsiktet eller med vilje, uriktig håndtering, urimelig bruk, uaktsomhet, dersom sluttbruker ikke overholder bruksanvisningen, dersom det gjøres forsøk på reparasjoner av ukvalifisert personale, ikke autoriserte reparasjoner, endringer eller bruk av tilleggsutstyr og/eller påmonteringer som ikke er særskilt anbefales av autorisert part.

Denna garantien gjelder ikke belter, børster, bager, lyspærer eller andre deler som har en vanlig slitasje som krever utstiftning innenfor garantiperioden. Dersom ikke annet er spesifisert i gjeldende lov, så dekker denne garantien ikke transportkostnader eller forbruksvarer som f. eks. sikringer.

Denne begrensede garanti er ugyldig dersom produktets originale ID (varemerke, serienummer) har blitt gjort uleselig, endret eller fjernet, eller dersom produktet ikke er kjøpt av en autorisert forhandler eller dersom produktet er solgt AS IS og / eller MED ALLE FEIL.

Garantien følger alle gjeldende lokale regler. Bestemmelsene i denne begrensede garantien gjelder istedenfor alle andre skriftlige garantier, eksplisitte eller implisitte, skriftlige eller muntlige, deriblant garantier om SALGBARHET ELLER DUGELIGHET FOR ET BESTEMT FORMÅL. VI PÅTAR OSS IKKE ANSVAR FOR SPECIELLE, TILFELDIGE, FØLGE- ELLER ANDRE SKADER. VÅRT MAKSIMALE ANSVAR OVERSTIGER IKKE DEN VIRKELIG BETALTE KJØPSPRISEN SOM DU HAR BETALT FOR PRODUKTET.

Denne garantien gjelder kun for den Europeiske Union, Australia og New Zealand. Utenfor disse regionene: ta vennligst kontakt med din autoriserte Ryobi forhandler for å undersøke om det er andre garantibestemmelser som gjelder.

AUKTORSERAT SERVICECENTER

For å finne et autorisert servicecenter i nærheten, gå til ryobitools.eu.

FI RAJOITETTU TAKUU

TTI takaa alkueraiselle ostajalle tämän ulkotuotteen olevan virheetön materiaalliltaan tai laadultaan 2 vuoden ajan ostopäivästä lähtien ottaen huomioon alla olevat rajoitukset. Säilytä laskusi todisteena ostopäivästä.

Tämä takuu on pätevä vain silloin kun tuotetta käytetään henkilökohtaiseen ja ei-kaupalliseen tarkoitukseen. Tämä takuu ei käsitä vauriota tai vastuuvollisuutta, joka on aiheutunut käyttäjän väärinkäytöstä, satunnaisesta tai tahallisesta teosta, epäasianmukaisesta käsittelystä ja käytöstä, käyttäjän laiminlyönnistä noudattaa käyttöohjeessa pääpiirteittäin esitetyjä toimintaohjeita, epäpätevien ammattilaisten korjauksiryistä, valtuuttamaton korjausta, toimintamista tai lisälaitteiden jaltai kokeiden käyttöä, jota valtuutettu osapuoli ei nimenomaan ole suositellut.

Tämä takuu ei käsitä hintoja, harjoja, laukkuja, lampuja tai mitään osia, jotka on vaihdettava tavallisen kulumisen vuoksi takuuajana. Ellei sovellettavan lain mukaan ole erityisesti säädetty, tämä takuu ei koske kuljetuskustannuksia tai kulutustavaroita kuten sulakkeita.

Tämä rajoitettu takuu on mitätön, jos tuotteen alkueraiset tunnistamismerkinnät (tavaramerkki, sarjanumero) on turmeltu, muutettu tai poistettu tai jos tuotetta ei ole ostettu valtuutetulta jälleenmyyjältä tai jos tuote on myyty ilman takeita tavaran laadusta jaltai kaikkein viikoineen.

Kuulujen kaikkien sovellettavien paikallisten määräysten piiriin tämän rajoitetun takuun ehtoja voidaan soveltaa muiden takuiden asemasta sellaisenaan tai suoraan. Mikään muu vastaavaan tarkoitukseen sopeva tuote ei rajoita tätä takua.

Tämä takuu on voimassa vain Euroopan unionissa, Australiassa ja Uudessa Seelannissa. Näiden alueiden ulkopuolella ota yhteyttä Ryobin valtuutettuun jälleenmyyjään ottaaksesi selville pätekö jokin muu takuu.

VALTUUTETTU HUOLTO

Voit etsiä lähimmän valtuutetun huollon sivulta ryobitools.eu.

RU ОГРАНИЧЕННАЯ ГАРАНТИЯ

TTI предоставляет гарантию на данный товар, предназначенный для наружного применения, в том, что он не имеет дефектов по качеству материала или исполнения, на срок 24 месяца от даты совершения покупки первоначальным покупателем, при условии соблюдения приведенных ниже ограничений. Храните счет-фактуру в качестве подтверждения даты покупки.

Данная гарантия имеет силу только в случае, если продукт используется в личных или некоммерческих целях. Данная гарантия не распространяется на ущерб или финансовые обязательства, вызванные / связанные с ненадлежащим применением, неправильной эксплуатацией, случайным или преднамеренным повреждением со стороны пользователя, неправильным транспортировкой, необоснованным использованием, халатностью, неисполнением конечным пользователем порядка эксплуатации, изложенного в инструкции по эксплуатации, неудачной попыткой ремонта силами неквалифицированного персонала, несанкционированным ремонтом, изменением, или использованием вспомогательных приборов и / или принадлежностей, в частности, не рекомендованных авторизованным сервис-центром.

Данная гарантия не распространяется на ленты, щетки, чехлы, лампы или любые иные предметы, как правило, подверженные износу, срабатыванию и замене во время гарантийного периода. Если специально не оговорено в действующем законодательстве, данная гарантия не распространяется на стоимость транспортировки или такие расходные детали как, например, предохранители.

Данная ограниченная гарантия считается действительной в случае, если оригинальная идентификационная маркировка товара (торговая марка, заводской номер) повреждена, изменена или удалена, или если товар куплен не у авторизованного дилера, или если товар продан «КАК ЕСТЬ» и / или «СО ВСЕМИ НЕДОСТАТКАМИ БЕЗ ГАРАНТИИ».

В соответствии со всеми применимыми местными нормативными актами, положения данной ограниченной гарантии заменяют любые иные письменные гарантии, явно выраженные или подразумеваемые, письменные или устные, включая любые гарантии ТОВАРНОГО СОСТОЯНИЯ ИЛИ ПРИГОДНОСТИ ДЛЯ ОСОБЫХ ЦЕЛЕЙ. МЫ НИ КОИМ ОБРАЗОМ НЕ НЕСЕМ НИКАКОЙ ОТВЕТСТВЕННОСТИ ЗА СПЕЦИАЛЬНЫЕ, ПОБОЧНЫЕ, ПОСЛЕДУЮЩИЕ ИЛИ СЛУЧАЙНЫЕ ПОВРЕЖДЕНИЯ ТОВАРА. НАША МАКСИМАЛЬНАЯ ОТВЕТСТВЕННОСТЬ НЕ ПРЕВЫШАЕТ ФАКТИЧЕСКОЙ ПОКУПНОЙ ЦЕНЫ, УПЛАЧЕННОЙ ВАМИ ЗА ТОВАР.

Данная гарантия действительна исключительно в странах Европейского Союза, в Австралии и Новой Зеландии. За пределами этих стран вам следует связаться с вашим авторизованным дилером Ryobi для установления возможности применения иных гарантий.

УПОЛНОМОЧЕННЫЙ СЕРВИСНЫЙ ЦЕНТР

Чтобы найти ближайший уполномоченный сервисный центр, обратитесь к веб-сайту ryobitools.eu.



PL OGRANICZONA GWARANCJA

TTI gwarantuje, że niniejszy produkt przeznaczony do użytku zewnętrznego jest wolny od usterek materiału i robocizny i przez 24 miesiące, licząc od daty zakupu przez pierwszego kupującego objęty jest podany mi niżej ograniczeniami. Proszę zachować fakturę jako dowód kupna.

Niniejsza gwarancja nie ma zastosowania jeśli produkt stosowany jest do celów osobistych oraz do celów nie-handlowych. Niniejsza gwarancja nie obejmuje uszkodzeń lub odpowiedzialności za / wskutek niewłaściwego użycia, nadużycia spowodowanego przypadkowym lub celowym działaniem użytkownika, wskutek nieprawidłowej obsługi, bezsensownego użycia, zaniedbania, nieprzestrzegania przez użytkownika końcowego procedur roboczych podanych w podręczniku użytkownika, prób naprawy podejmowanych przez niewykwalifikowane osoby, nieautoryzowanej naprawy, modyfikacji lub użycia części i/lub podzespołów nie zalecanych przez autoryzowaną firmę.

Niniejsza gwarancja nie obejmuje pasów, szczerok, torebek, żarówek lub innych części podlegających zużyciu, które wymaga wymiany tychże elementów w czasie obowiązywania gwarancji. Jeśli ustawodawstwo prawne nie stwierdza inaczej, niniejsza gwarancja nie obejmuje kosztów transportu lub takich pozycji jak bezpieczniki.

Niniejsza gwarancja traci ważność jeśli oryginalne symbole identyfikacyjne (znaki handlowe, numer seryny) zostały zniszczone, zmienione lub usunięte lub jeśli produkt nie został zakupiony w autoryzowanym punkcie sprzedaży TAK JAK JEST i/lub ZE WSZYSTKIMI USTERKAMI.

Niniejsza gwarancja podlega wszelkim miejscowym regulacjom prawnym, postanowienia niniejszej ograniczonej gwarancji obowiązują zamiast wszelkich innych gwarancji pisemnych, podanych wprost lub ukrytych, pisemnych lub ustnych, obejmujących wszelkie gwarancje RYNKOWE LUB ZDOLNOŚĆ DO KONKRETNIEGO ZASTOSOWANIA. W ŻADNYM WYPADKU NIE PONOSIMY ODPOWIEDZIALNOŚCI ZA USZKODZENIA SPECJALNE, PRZYPADKOWE LUB NIEPRZEWDZIANE. NASZA MAKSYMALNA GWARANCJA NIE MOŻE PRZEKRACZAĆ AKTUALNEJ CENY ZAKUPU DOKONANEJ ZA NINIEJSZY PRODUKT.

Niniejsza gwarancja ważna jest tylko w krajach Unii Europejskiej, Australii i Nowej Zelandii. Nabywców z innych krajów prosimy o kontakt z autoryzowanym dealerem Ryobi, w celu stwierdzenia, czy zastosowanie ma jakaś inna gwarancja.

AUTORYZOWANY PUNKT SERWISOWY

Najbliższy autoryzowany punkt serwisowy można wyszukać w witrynie internetowej ryobitools.eu.

HU KORLÁTOZOTT FELELŐSSÉG

A TTI garantálja ezen kültéri termék hibamentességét az anyaghibák és az készítés tekintetében, az eredeti vásárló számára a vásárlástól számított 24 hónapon át. Kérjük őrizze meg a számlát, mint a vásárlás dátumának bizonyítékát.

Ez a garancia csak akkor érvényes, ha a terméket kizárólag személyes és nem kereskedelmi célra használták. A garancia nem vonatkozik a helytelen használat, rongálás, a felhasználó véletlen vagy szándékos tevékenysége, helytelen kezelés, céltalan használat, hanyagság, a felhasználói kézikönyvben leírt eljárások be nem tartása, szakképzetlen személy által végzett javítás, engedély nélküli javítás, módosítás, vagy a nem engedélyezett kiegészítők és/vagy tartozékok használata során keletkezett károka.

Ez a garancia nem vonatkozik az óvekre, fekéfre, tásákra, izzókra vagy bármilyen más olyan alkatrésze, amely kopik és a garanciaperiódus alatt cseréje szükséges. Ha a vonatkozó jogszabályok nem írják elő, akkor a garancia nem vonatkozik semmilyen szállítási költségre vagy fogyóeszközre.

Ez a korlátozott garancia érvényét veszti, ha a termék eredeti azonosító adatait (márkanév, sorozatszám) eltávolították, módosították vagy letakarták, vagy ha a terméket nem egy hivatalos forgalmazótól vásárolták, illetve a terméket KÖTELEZETTSÉGÁLLALÁS nélkül és / vagy HIBÁSAN adták el.

Minden helyi szabályozásnak megfelelően, ezen korlátozott garancia rendelkezései bármilyen más írásos garanciát helyettesítenek. legyen az kifejezett vagy halgatólagos, írásos vagy szóbeli, beleértve a FITNESS ELADHATÓSÁGAT EGY BIZONYOS CÉLRA: SEMMILYEN ESETBEN NEM VÁLLALUNK FELELŐSÉGET A SPECIÁLIS, ESETLEGES, KÖZVEWTLEN VAG KÖZVETETT KÁROKÉRT. A MAXIMÁLIS ANYAGI FELELŐSSÉGÜNK NEM HALADJÁTJA MEG A TERMÉKÉRT ÖN ÁLTAL FIZETETT VÉTELÁRAT.

Ez a garancia csak az Európai Unióban, Ausztráliában és Új-Zélandon érvényes. Ezen területeken kívül lépjen kapcsolatba a hivatalos Ryobi forgalmazóval, egy másfajta garancia esetleges kiegészítékének meghatározása céljából.

HIVATALOS SZERVIZKÖZPONT

A legközelebbi hivatalos szervizközpont megtalálásához látogasson el a ryobitools.eu webhelyre.

CS OMEZENÁ ZÁRUKA

TTI zárucuje, že tento výrobek outdoor (pro vycházky v přírodě) musí být bez vad na materiálu nebo bez výrobních vad po 24 měsících od data nákupu původním zákazníkem, kromě níže uvedených podmínek. Schovajte prosim vaši účtenku jako důkaz data nákupu.

Tato záruka je platná pouze tam, kde se výrobek používá pro osobní a nekomerční účely. Tato záruka nekrývá škody nebo rizika způsobená nesprávným používáním, zneužíváním, náhodnými nebo úmyslnými činy uživatele, nesprávnou obsluhou, nesmyslným používáním, nedbalostí, chybným dodržováním provozních činností koncového uživatele vypsanych v návodu k obsluze, opravami nekvalifikovaným odborníkem, nepověřenou opravou, úpravou nebo používáním příslušenství a/nebo doplnků výslovně nedoporučených pověřenou stranou.

Tato záruka se nevztahuje na popruhy, kartáče, zavazadla, žárovky nebo jakékoliv části, které běžným nošením a opotřebáváním mají za následek nutnou výměnu během období záruky. Pokud je výslovně uvedeno podle platného zákona, se tato záruka nevztahuje na pokrytí přepravních nákladů nebo spotřebních položek, například pojistek. Tato omezená záruka neplatí, pokud byly značky originální identifikace výrobku (obchodní značka, sériové číslo) změněny, přepracovány nebo odstraněny, nebo pokud nebyl výrobek zakoupen od pověřeného výrobce, nebo pokud je výrobek prodán JAK JE / nebo SE VŠEMI CHYBAMI.

Kromě všech místních platných nařízení, je obstarání této omezené záruky možno provést jakoukoliv jinou psanou zárukou, ať expresní či implicitní, psanou nebo mluvenou, včetně každé záruky SCHOPNÉ PRODEJE A KOUPE NEBO VHDNÉ PRO ZVLÁŠTNÍ ÚČELY. NE V KAŽDEM PŘÍPADU JSME ODPOVĚDNÍ ZA ZVLÁŠTNÍ, VEDLEJŠÍ, VYPLYVAJÍCÍ NEBO NAHODLÉ ŠKODY. NAŠE MAXIMÁLNÍ ODPOVĚDNOST NEPŘEVÝŠÍ AKTUÁLNÍ KUPNÍ CENU VÁMI ZAPLACENOU ZA VÝROBEK.

Tento záruka je platná pouze v Evropské unii, Austrálii a Novém Zélandu. U ostatních oblastí prosím kontaktujte pověřeného prodejce Ryobi pro upřesnění, zda platí jiná záruka.

POVĚŘENÉ SERVISNÍ STŘEDISKO

Pro nalezení nejbližšího pověřeného servisního střediska navštivte ryobitools.eu.

RO GARANȚIE LIMITATĂ

TTI garantează acest produs pentru uz exterior ca fiind lipsit de defecte ale materialelor sau a procesului de producție pentru o perioadă de 24 de luni de la data achiziției de către cumpărătorul original, și este subiect a limitărilor de mai jos. Vă rugăm să păstrați factura ca dovadă a cumpărării lui.

Această garanție este aplicabilă doar acolo unde produsul este folosit în scop personal și necomercial. Această garanție nu acoperă distrugerea sau garanția cauzată/sau din cauza folosirii necorespunzătoare, utilizare abuzivă, accidentală sau intenționată de către utilizator, manipulare necorespunzătoare, folosire neremonabilă, neglijență, nereparație de către utilizatorul final a procedurilor de operare subliniate în manualul de instrucțiuni, încercări de reparare din partea persoanelor necalificate, reparare neautorizată, modificarea sau folosirea accesoriilor și/sau a părților care nu au fost recomandate în mod specific de către partea autorizată.

Această garanție nu acoperă curelele, perile, sacii, becurile sau orice altă parte care în mod normal sunt folosite ca rezultat al înlocuirii necesare pe timpul perioadei de garanție. Dacă nu este specificat de către legile în vigoare, această garanție nu acoperă costul de transport sau obiectele consumabile, precum siguranțele.

Această garanție limitată este nulă dacă însemnele de identificare a produsului original (marca, numărul seriei) au fost deteriorate, distruse sau îndepărtate, sau dacă produsul nu este achiziționat de la un vânzător autorizat sau dacă produsul este vândut CA și/ sau CU TOATE DEFECTELE.

Subiect a reglementărilor locale aplicabile, prevederile acestei garanții limitate sunt în legătură cu orice altă garanție scrisă, fie expresă sau implicită, scrisă sau oral, incluzând această garanție de MERCANTILITATE și CONFORMITATE CU UN SCOP PARTICULAR. ÎN NICIUN CAZ NU VOM FI RESPONSABILĂ PENTRU STRICĂCIUNI SPECIALE, OCAZIONALE, DE DURATĂ. RĂSPUNDEREA NOASTRĂ MAXIMĂ NU VA PUTEA DEPĂȘI PREȚUL ACTUAL DE ACHIZIȚIONARE PLĂTIT DE DVS PENTRU PRODUS.

Această garanție este valabilă doar în Uniunea Europeană, Australia și Noua Zeelandă. În afara acestor zone, vă rugăm contactați dealerul dvs Ryobi autorizat pentru a determina ce fel de garanții se aplică.

CENTRU DE SERVICE AUTORIZAT

Pentru a găsi un centru de service autorizat lângă dvs., vizitați ryobitools.eu.





LV IEROBEŽOTA GARANTĪJA

TTI garantē, ka šis ārpus telpām lietojamais produkts būs bez materiāla vai izgatavošanas defektiem 24 mēnešu periodā no datuma, kad to nopircis oriģinālais pircējs, kas ir turpmāk minēto ierobežojumu subjekts. Lūdzu saglabāiet Jūsu rēķinu kā pierādījumu par pirkuma datumu.

Garantija ir piemērojama vienīgi, ja produkts ir ticis izmantots personīgiem un nekomerciāliem mērķiem. Šī garantija neattiecināma uz audzējumu vai atbīdību, kas radusies saistībā ar / nepareizu izmantošanu, neatbilstošu lietošanu, nejausām vai īsāam lietotāja darbībām, nepareizu ekspluatāciju, nepamatotu lietošanu, neuzmanību, gala lietotāja nespēju izpildīt lietotāja rokasgrāmatā norādītās darbināšanas procedūras, remontēšanas mēģinājumus, ko veicis nesertificēts profesionālis, neatortizētus remontus, modifikācijas vai izmantotais aprīkojums un/ vai papildus iekārtas, kuras pilnvarotā puse nav specifiski rekomendējusi.

Šī garantija neattiecas uz siksnām, sukām, somām, spuldzēm vai jebkuru detaļu, kas iekdienā nolietojas un nodilst, izaucot vajadzību garantijas perioda laikā veikt nepieciešamo nomaiņu. Šī garantija neattiecas uz transporta izdevumiem vai patēriņa priekšmetiem, piemēram, drošinātājiem, ja vien tas nav specifiski noteikts ar piemērojamo likumdošanu.

Šī ierobežotā garantija zaudē spēku, ja ir nodzišusi, izmainīti vai noņemti produkta oriģinālie identifikācijas marķējumi vai ja produkts nav nopircis no pilnvarota izplatītāja, vai ja produkts ir pārdots KĀ TAS IR un / vai AR VISIEM DEFEKTIEM.

Kā visu piemērojamo vietējo likumdošanas aktu subjektis, šīs ierobežotās garantijas noteikumi aizvieto jebkuru citu rakstītu garantiju, vai nu izteiktu vai piedomāta, rakstiski vai mutiski, ieskaitot jebkuru garantiju PĀRDODAMĪBAI VAI PIEMEROTĪBAI KONKRĒTAM MĒRĶIM, MĒS NEESAM NEKĀDĀ GADĪJUMĀ ATBILDĪGI PAR SPECĪĻIEM, IZRIETOŠIEM VAI NEJAUSĪEM BOJĀJUMIEM, MŪSU MAKSĪMĀLĀ ATBĪDĪBA NEKAD NEPĀRSNĪEGS KONKRĒTO PIRKŠANAS CENAS VĒRTĪBU, KO JŪS ESTAT SAMAKŠĀJIS PAR PRODUKTU.

Šī garantija ir derīga tikai Eiropas Savienībā, Austrālijā un Jaunzēlandē. Ārpus šīm reģioniem, lūdz, zinatieties ar savu autorizēto Ryobi izplatītāju, lai noskaidrotu vai tiek attiecināta cita garantija.

AUTORIZĒTS APKALPOŠANAS CENTRS

Lai atrastu tuvāko autorizēto apkalošanas centru, apmeklējiet ryobitools.eu.

ET PIIRATUD GARANTII

TTI garanteerib, et sellel tootel ei ilmne 24 kuu jooksul alates algsele ostjale müümisest materi- või töötlemisdefekte, arvestades järgmisi piiranguid. Palun hoidke alles toote ostuarve, et tõendada ostukupäeva.

Käesolev garantii kehtib ainult siis, kui toodet kasutatakse isiklikuks otstarbeks, mitte kaubanduslikel eesmärkidel. Käesolev garantii ei hõlma vigastusi või vastutust juhtudel, kui seadet on kasutaja poolt mittesihisarasselt või vääralt kasutatud või on toode kasutaja tegevuse tulemusena sattunud õnnetusse või avarisse või on seadet valesti, ebamõistlikult või hoolimatult käsitletud. Samuti ei kehti garantii siis, kui seadme kasutusjuhendis ettenähtud tööprotseduure on eiratud, seadet on püütud väljaõppeta töötajate poolt remondida, tehtud on lubamatuid remonttööd, muudatusi või on kasutatud tarvikuid ja/või lisaseadmeid, mis ei ole volitatud isiku poolt spetsiaalselt soovitatud.

Käesolev garantii ei kehti rihtmadele, harjadele, kottidele, pirdidele või muudele loomulikult kuluvatele osadele, mida on vaja garantiiaja jooksul vahetada. Välja arvatud asjakohaste seadustega määratud juhtudel, ei kata käesolev garantii transportkulusid või kulutarvikuid, näiteks sulavkaitsmeid.

Käesolev piiratud garantii ei kehti, kui toote originaaltähised (kaubamärk, seerianumber) on kahjustatud, muudetud või eemaldatud või toode ei ole ostetud volitatud edasimüüja käest või kui toode on müüdüd OSTJA RISKIL ja/või OSTJAT ON RIKETEST TEAVITATUD.

Sõltuvalt kõikidest kehtivatest seadustest, kehtivad selle piiratud garantii sätted muude kirjalikele garantiide asemel, hoolimata sellest, kas need on selgesõnaliselt väljendatud või eeldatava, kirjaliku või suulise, kaasa arvatud igasugune KAUBANDUSLIK VÕI ERIOSTARBELE SOBIIVUS garantii. MITTE MINGITEL JUHTUDEL EI VASTUTATA TOOTJA ERJUHTUMIL VÕI JUHUSLIKULT KAASNEVATEST OLUDEST VÕI AVARIIST TINGITUD KAHJUDE EEST. TOOTJA MAKSIMAALNE VASTUTUS EI ÜLETA SELLE TOOTE EEST TASUTUD TEGELIKKU HINDA.

Käesolev garantii kehtib ainult Euroopa Liidu riikides, Austraalias ja Uus-Meremaal. Väljaspool neid riike võtke palun ühendust Ryobi volitatud edasimüüjaga, et määrata teiste garantiide kehtivus.

VOLITATUD HOOLDUSKESKUS

Oma volitatud hoolduskeskuse leiate veebisaidilt ryobitools.eu.

LT RIBOTA GARANTĪJA

TTI garantuoja, kad šis lauke skirtas naudoti produktas neturės medžiagos ir gamybos defektų 24 mėnesius po pirmojo pirkėjo pirkimo dienos, taikant žemiau pateikiamus garantijos apribojimus. Prašome kaip pirmojo datos formą įsisaugoti išsaugoti pirkimo kvitą.

Ši garantija galioja tik tada, kai produktas yra naudojamas asmeniniams ir nekomerciniams tikslais. Ši garantija neapima žalos ar atsakomybės dėl vartotojo produkto nepriežiūros, netinkamo naudojimo, tyčinio ar netyčinio naudojimo ne pagal paskirtį, netinkamai atliekamų darbų su produktu, aplaidumo, nesilaikymo darbo su produktu procedūrų, pateikiamų vartotojo vadove, nekvailfikuoat asmenų atliktu remonto darbu, nenumatytų šiam produktui remonto darbu, neleistinų modifikacijų, priedų naudojimo ir/ arba atskirai įgaliotos šalies neleistų naudoti priedų naudojimo su produktu.

Ši garantija negalioja diržams, šepčiams, maišams, lemputėms ir kitoms dalims, kurios darbo metu natūraliai nusidėvi ir plyšta ir kurioms garantiniui laikotarpiu reikalingas pakeitimas. Jeigu tai nėra atskirai nurodyta galiojančiuose įstatymuose, ši garantija neapima transportavimo išlaidų bei tokių keičiamų elementų kaip saugikliai.

Ši ribota garantija negalioja, jei buvo panaikinti, pakeisti arba nutrinti produkto originalūs identifikacijos ženklai (prekės ženklas, serijos numeris) arba jeigu produktas nebuvo įsigytas iš įgaliotojo pardavejo, arba jeigu produktas buvo parduotas TOKS, KOKS YRA ir / arba SU VISAIS GALIMAIS TRŪKUMAIMS.

Priklausomai nuo bių galiojančių vietos įstatymų, šios ribotos garantijos nuostatos pakeičia visas kitas rašytines garantijas, tiek išreiktas tiek numanomas, tiek rašytines, tiek žodines, įskaitant PARDUODAMUMĄ ARBA TIKIMĄ KONKRĒCIAM TIKSLUI. MES JOKIU ATVEJU NEATSAKOME UŽ SPECIALIĄ, ATSIKITINĘ, TYČINĘ AR PASEKMINE ŽALĄ, MAKSIMALI MŪSU ATSAKOMYBĖ PAGAL TEIKIAMĄ GARANTIJĄ NEVIRŠYS KAINOS, KURIA JŪS SUMOKĖJOTE UŽ PRODUKTĄ.

Ši garantija galioja tikta Europos Sąjungoje, Australijoje ir Naujojoje Zelandijoje. Kitose šalyse kreipkitės savo įgaliotajį „Ryobi“ atstovą ir išsiaiškinkite, ar produktui galioja kokios nors kitos garantijos.

ĮGALIOTAS TECHNIŠES PRIEŽIŪROS CENTRAS

Jei norite surasti įgaliotą techninės priežiūros centrą netoli Jūsų, apsilankykite interneto svetainėje ryobitools.eu.

HR OGRANIČENO JAMSTVO

TTI jamči da ovaj proizvod za upotrebu na otvorenom nema greška u materijalu ili izradi za razdoblje od 24 mjeseca od dana kupnje od izvornog dobavljača, uz niže navedena ograničenja.

Ovo jamstvo primjenjivo je samo kada se proizvod koristi za osobne i nekomercijalne namjene. Ovo jamstvo ne pokriva štetu ili odgovornost proizašle iz /zbog krive upotrebe, nasilne primjene, slučajnih ili namjernih djelovanja korisnika, nepravilnog rukovanja, nerazumne uporabe, nemara, propusta korisnika da se pridržava postupaka za rukovanje navedenih u korisničkom priručniku, pokušaja popravka od strane nekvailificirane osobe, neovlašteno popravljanje, izmjene ili upotreba dodatne opreme ili/ili priključaka koji nisu izričito preporučeni od ovlaštenih strane.

Ovo jamstvo ne pokriva remenje, četke, vrece, sjalice ili neki drugi dio koji zbog uobičajenog trošenja i habanja zahtijeva zamjenu za vrijeme trajanja jamstva. Ukoliko nije posebno predviđeno važećim zakonom, ovo jamstvo ne pokriva troškove prijevoza ili potrošne dijelove kao što su osigurati.

Ovo je jamstvo nevažeće ako je originalna identifikacijska oznaka proizvoda (zaštitni znak, serijski broj) postala nečitljiva, promijenjena ili uklonjena ili ako proizvod nije nabavljen od ovlaštenog preprodavača, ili ako je proizvod prodan KAKAV JEST i/ili SA SVIM GREŠKAMA.

Podložno svim primjenjivim lokalnim odredbama, propisi ovog ograničenog jamstva služe umjesto bilo kakvog drugog pisanog jamstva, izričito navedenog ili podrazumjevanog, pisanog ili izrečenog, uključujući jamstvo NA UTRŽIVOST ILI PRIKLADNOST ZA NEKU POSEBNU NAMJENU. NI U KOJEM SLUČAJU NEĆEMO BITI ODGOVORNI ZA SPECIJALNA, SLUČAJNA, POSLJEDIČNA ILI SPOREDNA OŠTEĆENJA. NAŠA MAKSIMALNA ODGOVORNOST NE PRELAZI STAVNU CIJENU KOJU STE PLATILI ZA OVAJ PROIZVOD.

Ovo jamstvo važi samo za Europsku uniju, Australiju i Novu Zelandu. Izvan tih područja, molimo kontaktirati vašeg zastupnika za Ryobi kako biste ustanovili vriedi li neko drugo jamstvo.

OVLAŠTENI SERVISNI CENTAR

Za pronalaženje ovlaštenog servisnog centra pored vas posjetite ryobitools.eu.





SL OMEJENA GARANCIJA

TTI jamči, za svoje izdelke za zunanjo uporabo, skladno s spodnjimi omejitvami, jamči da bodo 24 mesecev od prvega nakupa brez napak v materialu ali izdelavi. Prosimo, da shranite svoj račun kot dokazilo o nakupu.

Ta garancija se nanaša na osebno in ne-komercialno uporabo izdelka. Garancija ne krije škode ali odgovornosti zaradi napačne uporabe, zlorabe, nesrečnih ali nehotenih dejanj uporabnika, nepravilnega rokovanja, uporabe brez razloga, malomarnosti ter okvar, nastalih zaradi nesledenja postopkom, navedenih v tem priročniku, poskusom popravil s strani neusposobljenih oseb, nepooblaščenega popravila, predelave, ter uporabe pripomočkov in/ali dodatkov, ki niso posebej priporočeni s strani pooblaščenega stranke.

Ta garancija ne zajema jermenov, ščetk, vreck, žarnic ali katerega koli dela, ki je predmet obrabe in je v garancijskem obdobju zanj predpisana zamenjava. Razen, če ni posebej zagotovljeno s pristojno zakonodajo, ta garancija ne krije stroškov prevoza ali potrošnih elementov, kot so varovalke.

Ta omejena garancija postane neveljavna, če so originalne oznake (blagovna znamka, serijska številka) na izdelku izbrisane, popravljene ali odstranjene, oziroma, če izdelek ni bil kupljen pri pooblaščenem trgovcu ali bil prodan KAKRŠEN JE in/ali Z VSEMI NAPAKAMI.

Glede na pristojno lokalno zakonodajo, so določbe te omejene garancije nadomestilo ostalim pisnim garancijam, navedenim ali tihim, pisnim ali ustno izraženim, vključujoč tudi vsakršno garancijo v zvezi s PRODAJO IN STANJEM BLAGA ZA POSAMEZNI NAMEN. V NOBENEM PRIMERU NISMO ODGOVORNI ZA POSEBNE, NESREČNE, POSLEDIČNE ALI NEHOTENE POŠKODBE. NAŠA NAJVIŠJA ODGOVORNOST NE SME PRESEGATI DEJANSKE VREDNOSTI NAKUPA IZDELKA.

Ta garancija je veljavna le znotraj Evropske unije, v Avstraliji in Novi Zelandiji. Zunaj teh območij se za podrobnosti o garanciji prosimo obrnite na pooblaščenega Ryobijevega trgovca.

POOBLAŠČEN SERVISNI CENTER

Pooblaščen servisni center blizu vas poiščite na ryobitools.eu.

BG ОГРАНИЧЕНА ГАРАНЦИЈА

Фирма TTI предоставя гаранция за този продукт за външна употреба по отношение на дефекти в материала или изработката за период от 24 месеца от датата на покупката от купувача с посочените по долу ограничения. Моля запазете фактурата като доказателство за датата на покупката.

Гаранцията е валидна само когато този продукт е използван за лични, а не търговски цели. Гаранцията не покрива вреди или задължения породени от/или неправилна употреба, злоупотреба, неоснователна или нежелана употреба от потребителя, работа с продукта не по неговото предназначение, немълчливост, неспазване на утвърденията за употреба посочени в ръководствата за използване, опит за ремонт от неквалифициран персонал, неотизориран ремонт, преработка, или употреба на допълнителни приспособления и/или допълнения, които не са специално препоръчани от оторизирана фирма или сервис.

Гаранцията не покрива ремъци, четки, торби, крушки или каквито и да било части, които биха могли да се износят или къснат по време на гаранционният период и изискват замяна. Освен ако изрично не е посочено в закон, гаранцията не покрива транспортни разходи или консумативи като например електропредпазители.

Тази ограничена гаранция е невалидна, ако оригиналните означения и етикети (запазена марка, сериен номер), са с нарушена цялост, разкъсани или премахнати, ако продукта не е закупен от оторизиран търговец или, ако продуктът е продаден на разпродажба с намалена цена "КАКТО СИ Е" или "С ВСИЧКИ ПОСОЧЕНИ ПОВРЕДИ ПО НЕГО".

В съответствие с всички местни наредби, постановките на тази ограничена гаранция заместват която и да е друга писмена гаранция, независимо изразена или приложена, писмена или устна, включително която и да е друга гаранция ТЪРГОВСКА ИЛИ СЪОТВЕТСТВАЩА ЗА ОПРЕДЕЛЕНА ЦЕЛ. ПО НИКАКЪВ НАЧИН НЯМА ДА СМЕ ОТГОВОРНИ ЗА СПЕЦИАЛНИ, СЛУЧАЙНИ, КОСВЕНИ ИЛИ НЕПРЕДВИДЕНИ ЗАГУБИ. НАШАТА МАКСИМАЛНА ОТГОВОРНОСТ НЕ МОЖЕ ДА НАДХВЪРЛИ СЪОТВЕТНАТА ПОКУПНА ЦЕНА, ПЛАТЕНА ОТ ВАС ЗА ТОЗИ ПРОДУКТ.

Тази гаранция е валидна само за територията на Европейския съюз, Австралия и Нова Зеландия. Ако сте извън тези територии, моля свържете се с оторизиран от Ryobi разпространител (дилър), за да уточните дали се прилага друг вид гаранция.

УПЪЛНОМОЩЕН СЕРВИСЕН ЦЕНТЪР

За да намерите упълномощен сервисен център близо до вас, посетете ryobitools.eu.

SK OBMEDZENÁ ZÁRUKA

Spoločnosť TTI poskytuje záruku, že tento produkt pre použitie v exteriéri nebude mať žiadne poruchy v materiále ani spracovaní 24 mesiacov od dátumu zakúpenia pôvodným kupujúčim, s obmedzeniami uvedenými nižšie. Odložte si faktúru ako potvrdenie o dátume zakúpenia.

Táto záruka platí len v prípade, ak sa tento produkt používa pre osobné a nekomerčné účely. Táto záruka nezahŕňa poškodenie alebo zodpovednosť spôsobenú nesprávnym používaním alebo v jeho následku, zneužívaním, náhodnými alebo zámernými činnosťami používateľa, nesprávnou manipuláciou, neprimeraným používaním, nedbalosťou, nedodržaním prevádzkových postupov uvedených v používateľskej príručke zo strany koncového užívateľa, pokusmi o opravu nekvalifikovaným odborníkom, neautorizovanou opravou, úpravami alebo používaním príslušenstva a/alebo doplnkov, ktoré nie sú výslovne odporúčané oprávnenou stranou.

Táto záruka nezahŕňa krycie pásy, kefkы, vaky, žiarovky ani žiadne iné diely, ktorých bežné opotrebovanie vyžaduje výmenu počas záručnej doby. Pokiaľ nie je výslovne uvereňné v platných zákonoch, táto záruka nezahŕňa náklady na prepravu a spotrebné materiály, napríklad poisťky.

Táto obmedzená záruka stráca platnosť v prípade poškodenia, pozmenenia alebo odstránenia pôvodných identifikačných označení (obchodná známka, sériové číslo) alebo ak tento produkt alebo zakúpený od autorizovaného predajcu alebo ak sa tento produkt predáva AKO JE a/alebo SO VŠETKÝMI CHYBAMI.

S ohľadom na všetky platné miestne predpisy sú ustanovenia tejto obmedzenej záruky náhradou za akúkoľvek inú písomnú záruku, či už výslovnú alebo implikovanú, písomnú alebo ústnu, vrátane záruky OBCHODOVATEĽNOSTI ALEBO VHDNOSTI PRE KONKRÉTNY ÚČEL. ZA ŽIADNYCH OKOLNOSTÍ NEPREBERÁME ZODPOVEDNOSŤ ZA ŠPECIÁLNE, NÁHODNÉ ALEBO NÁSLEDNÉ ŠKODY. NAŠE MAXIMÁLNE RUČENIE NEPREKROČÍ SKUTOČNÚ NÁKUPNÚ CENU, KTORÚ STE ZA PRODUKT ZAPLATILI.

Táto záruka platí len v Európskej únii, Austrálii a na Novom Zélande. Ak sa nachádzate mimo týchto regiónov, obráťte sa na autorizovaného predajcu Ryobi kde zistíte, či platí iná záruka.

AUTORIZOVANÉ SERVISNÉ CENTRUM

Ak chcete nájsť najbližšie autorizované servisné centrum, navštívte stránku ryobitools.eu.



EN EC declaration of conformity

Techtronic Industries GmbH
Max-Eyth-Strasse 10, D-71364 Winnenden, Germany

Herewith we declare that the product
Cordless Line Trimmer/Edge Trimmer
Model number: OLT1825/RLT1825Li
Serial number range: 93800101000001 - 93800101999999

is in conformity with the following European Directives and harmonised standards
2006/42/EC, 2004/108/EC, 2000/14/EC, 2005/88/EC, 2002/96/EC, 2011/65/
EU, 2006/66/EC, EN ISO 14982:2009, EN 60745-1:2009+A11:2010, EN
786:1996+A2:2009

Measured sound power level: 91.6 dB (A)
Guaranteed sound power level: 93 dB (A)

Conformity assessment method to Annex VI Directive 2000/14/EC.

Andrew John Eyre (BEng, CEng, MIET)
Vice President of Engineering
Winnenden, Nov. 13, 2012

Authorised to compile the technical file:
Rainer Kumpf
Techtronic Industries GmbH
Max-Eyth-Strasse 10, D-71364 Winnenden, Germany



DE EC KONFORMITÄTSERKLÄRUNG

Techtronic Industries GmbH
Max-Eyth-Strasse 10, D-71364 Winnenden, Germany

Hiermit erklären wir, dass die Produkte
Akku-Rasentrimmer / Kantenschneider
Modellnummer: OLT1825/RLT1825Li
Seriennummernbereich: 93800101000001 - 93800101999999

mit den folgenden europäischen Richtlinien und harmonisierten Normen entspricht
2006/42/EC, 2004/108/EC, 2000/14/EC, 2005/88/EC, 2002/96/EC, 2011/65/
EU, 2006/66/EC, EN ISO 14982:2009, EN 60745-1:2009+A11:2010, EN
786:1996+A2:2009

Gemessener Schalleistungspegel: 91.6 dB (A)
Garantierter Schallenergiepegel: 93 dB (A)

Konformitätsbeurteilungsmethode zu Anhang VI Richtlinie 2000/14/EC.

Andrew John Eyre (BEng, CEng, MIET)
Vice President of Engineering
Winnenden, Nov. 13, 2012

Autorisiert die technische Datei zu erstellen:
Rainer Kumpf
Techtronic Industries GmbH
Max-Eyth-Strasse 10, D-71364 Winnenden, Germany



FR DÉCLARATION DE CONFORMITÉ EC

Techtronic Industries GmbH
Max-Eyth-Strasse 10, D-71364 Winnenden, Germany

Déclarons par la présente que le produit
Coupe-bordures sans fil / Dresse-bordures
Numéro de modèle: OLT1825/RLT1825Li
Étendue des numéros de série: 93800101000001 - 93800101999999

est conforme aux Directives Européennes et Normes Harmonisées suivantes
2006/42/EC, 2004/108/EC, 2000/14/EC, 2005/88/EC, 2002/96/EC, 2011/65/
EU, 2006/66/EC, EN ISO 14982:2009, EN 60745-1:2009+A11:2010, EN
786:1996+A2:2009

Niveau de puissance sonore mesuré: 91.6 dB (A)
Niveau de puissance sonore garanti: 93 dB (A)

Méthode d'évaluation de conformité de l'annexe VI Directive 2000/14/EC.

Andrew John Eyre (BEng, CEng, MIET)
Vice président de l'Ingénierie
Winnenden, Nov. 13, 2012

Autorisé à rédiger le dossier technique:
Rainer Kumpf
Techtronic Industries GmbH
Max-Eyth-Strasse 10, D-71364 Winnenden, Germany



ES DECLARACIÓN EC DE CONFORMIDAD

Techtronic Industries GmbH
Max-Eyth-Strasse 10, D-71364 Winnenden, Germany

Por la presente declaramos que los productos
Cortabordes Inalámbrico / Bordeadora
Número de modelo: OLT1825/RLT1825Li
Intervalo del número de serie: 93800101000001 - 93800101999999

se encuentra en conformidad con las siguientes Directivas Europeas y normas armonizadas
2006/42/EC, 2004/108/EC, 2000/14/EC, 2005/88/EC, 2002/96/EC, 2011/65/
EU, 2006/66/EC, EN ISO 14982:2009, EN 60745-1:2009+A11:2010, EN
786:1996+A2:2009

Nivel de potencia acústica medido: 91.6 dB (A)
Nivel de potencia acústica garantizado: 93 dB (A)

Método de evaluación de conformidad con el anexo VI Directiva 2000/14/EC.

Andrew John Eyre (BEng, CEng, MIET)
Vicepresidente de Ingeniería
Winnenden, Nov. 13, 2012

Autorizado para elaborar la ficha técnica:
Rainer Kumpf
Techtronic Industries GmbH
Max-Eyth-Strasse 10, D-71364 Winnenden, Germany





IT DICHIARAZIONE DI CONFORMITÀ EC

Techtronic Industries GmbH
Max-Eyth-Strasse 10, D-71364 Winnenden, Germany

Si dichiara con la presente che il prodotto
Tagliabordi A Filo Senza Cavo / Sfrondatore
Numero modello: OLT1825/RLT1825Li
Gamma numero seriale: 93800101000001 - 93800101999999

è conforme alle seguenti Direttive Europee e ai seguenti standard armonizzati
2006/42/EC, 2004/108/EC, 2000/14/EC, 2005/88/EC, 2002/96/EC, 2011/65/
EU, 2006/66/EC, EN ISO 14982:2009; EN 60745-1:2009+A11:2010; EN
786:1996+A2:2009

Livello di potenza acustica misurato: 91.6 dB (A)
Livello di potenza sonora garantita: 93 dB (A)

Metodo di valutazione sulla conformità all'allegato VI Direttiva 2000/14/EC.

Andrew John Eyre (BEng, CEng, MIET)
Vice presidente sezione ingegneria
Winnenden, Nov. 13, 2012

Autorizzato per compilare il file tecnico:
Rainer Kumpf
Techtronic Industries GmbH
Max-Eyth-Strasse 10, D-71364 Winnenden, Germany

PT DECLARAÇÃO EC DE CONFORMIDADE

Techtronic Industries GmbH
Max-Eyth-Strasse 10, D-71364 Winnenden, Germany

Pelo presente declaramos que os produtos
Aparador De Relva Sem Fio / Cortador De Bordas
Número do modelo: OLT1825/RLT1825Li
Intervalo do número de série: 93800101000001 - 93800101999999

se encontra em conformidade com as seguintes Directivas Europeias e normas
harmozizadas
2006/42/EC, 2004/108/EC, 2000/14/EC, 2005/88/EC, 2002/96/EC, 2011/65/
EU, 2006/66/EC, EN ISO 14982:2009; EN 60745-1:2009+A11:2010; EN
786:1996+A2:2009

Nível de potência sonora medido: 91.6 dB (A)
Nível de potência sonora garantido: 93 dB (A)

Método de avaliação de conformidade para o anexo VI Directiva 2000/14/EC.

Andrew John Eyre (BEng, CEng, MIET)
Vice-presidente de Engenharia
Winnenden, Nov. 13, 2012

Autorizado para compilar o ficheiro técnico:
Rainer Kumpf
Techtronic Industries GmbH
Max-Eyth-Strasse 10, D-71364 Winnenden, Germany

NL EC CONFORMITEITSVERKLARING

Techtronic Industries GmbH
Max-Eyth-Strasse 10, D-71364 Winnenden, Germany

Hierbij verklaaren wij dat het product
Snoerloze Lijntrimmer / Graskantmaaimachine
Modelnummer: OLT1825/RLT1825Li
Serienummerbereik: 93800101000001 - 93800101999999

is in overeenstemming met de volgende Europese Richtlijnen en geharmoniseerde
normen

2006/42/EC, 2004/108/EC, 2000/14/EC, 2005/88/EC, 2002/96/EC, 2011/65/
EU, 2006/66/EC, EN ISO 14982:2009; EN 60745-1:2009+A11:2010; EN
786:1996+A2:2009

Gemeten geluidsniveau: 91.6 dB (A)
Gegarandeerd geluidsniveau: 93 dB (A)

Evaluatiemethode conformiteit volgens bijlage VI Richtlijn 2000/14/EC.

Andrew John Eyre (BEng, CEng, MIET)
Vice President Ontwerp
Winnenden, Nov. 13, 2012

Afgevaardigd voor het samenstellen van de technische fiche:
Rainer Kumpf
Techtronic Industries GmbH
Max-Eyth-Strasse 10, D-71364 Winnenden, Germany

DA EC OVERENSSTEMMELSEERKLÆRING

Techtronic Industries GmbH
Max-Eyth-Strasse 10, D-71364 Winnenden, Germany

Vi erklærer hermed, at produktet
Batteridrevnen Kantrimmer/ Kantrimmer
Modelnummer: OLT1825/RLT1825Li
Serienummerområde: 93800101000001 - 93800101999999

er i overensstemmelse med følgende EU-direktiver og harmoniserede standarder
2006/42/EC, 2004/108/EC, 2000/14/EC, 2005/88/EC, 2002/96/EC, 2011/65/
EU, 2006/66/EC, EN ISO 14982:2009; EN 60745-1:2009+A11:2010; EN
786:1996+A2:2009

Målt støjniveau: 91.6 dB (A)
Garanteret støjniveau: 93 dB (A)

Overensstemmelsesvurderingsmetode til bilag VI Direktiv 2000/14/EC.

Andrew John Eyre (BEng, CEng, MIET)
Vicepræsident for teknik
Winnenden, Nov. 13, 2012

Bemyndiget til at udarbejde det tekniske kartotek:
Rainer Kumpf
Techtronic Industries GmbH
Max-Eyth-Strasse 10, D-71364 Winnenden, Germany



SV EC-DEKLARATION ANGÄENDE ÖVERENSSTÄMMIGHET

Techtronic Industries GmbH
Max-Eyth-Strasse 10, D-71364 Winnenden, Germany

Härmed deklarerar vi att produkterna

Sladdlös Grästrimmer / Kantrimmare
Modellnummer: OLT1825/RLT1825Li
Serienummerintervall: 93800101000001 - 93800101999999

är i enlighet med följande EU-direktiv och harmoniserade standarder

2006/42/EC, 2004/108/EC, 2000/14/EC, 2005/88/EC, 2002/96/EC, 2011/65/
EU, 2006/66/EC, EN ISO 14982:2009; EN 60745-1:2009+A11:2010; EN
786:1996+A2:2009

Uppmätt ljudeffektsnivå: 91,6 dB (A)
Garanterad ljudeffektsnivå: 93 dB (A)

Konformitetsbedömning gjord enligt metod i VI Direktiv 2000/14/EC.

Andrew John Eyre (BEng, CEng, MIET)
Vice president of engineering
Winnenden, Nov. 13, 2012

Godkänd att sammanställa den tekniska filen:

Rainer Kumpf
Techtronic Industries GmbH
Max-Eyth-Strasse 10, D-71364 Winnenden, Germany

CE

NO EC-erklæring om produktoverensstemmelse

Techtronic Industries GmbH
Max-Eyth-Strasse 10, D-71364 Winnenden, Germany

Herved erklærer vi at produktet

Oppladbar Gresstrimmer / Kantklipper
Modellnummer: OLT1825/RLT1825Li
Serienummerserie: 93800101000001 - 93800101999999

er i samsvar med følgende europeiske direktiver og harmoniserte standarder

2006/42/EC, 2004/108/EC, 2000/14/EC, 2005/88/EC, 2002/96/EC, 2011/65/
EU, 2006/66/EC, EN ISO 14982:2009; EN 60745-1:2009+A11:2010; EN
786:1996+A2:2009

Målt lydteffektnivå: 91,6 dB (A)
Garantert lydteffektnivå: 93 dB (A)

Metode for vurdering av konformitet til Tillegg VI Direktiv 2000/14/EC.

Andrew John Eyre (BEng, CEng, MIET)
Visepresident for konstruksjon
Winnenden, Nov. 13, 2012

Autorisert til å sette sammen den tekniske filen:

Rainer Kumpf
Techtronic Industries GmbH
Max-Eyth-Strasse 10, D-71364 Winnenden, Germany

CE

FI EC-SÄÄNNÖSTEN NOUDATTAMINEN

Techtronic Industries GmbH
Max-Eyth-Strasse 10, D-71364 Winnenden, Germany

Ilmoitamme täten, että tuotteet

Johdoton Tasaaukko / Reunustrimmeri
Mallinumero: OLT1825/RLT1825Li
Sarjanumerot: 93800101000001 - 93800101999999

noudattaa seuraavia EU-direktiivejä ja harmonoituja standardeja

2006/42/EC, 2004/108/EC, 2000/14/EC, 2005/88/EC, 2002/96/EC, 2011/65/
EU, 2006/66/EC, EN ISO 14982:2009; EN 60745-1:2009+A11:2010; EN
786:1996+A2:2009

Mitattu äänenteho: 91,6 dB (A)
Taattu ääniteho: 93 dB (A)

Säännösten noudattaminen tarkastettu direktiivin 2000/14/EC liitteen VI mukaisesti.

Andrew John Eyre (BEng, CEng, MIET)
Varapresidentti, Suunnitteluosasto
Winnenden, Nov. 13, 2012

Valtuutettu kokoamaan tekninen tiedosto:

Rainer Kumpf
Techtronic Industries GmbH
Max-Eyth-Strasse 10, D-71364 Winnenden, Germany

CE

RU ЗАЯВЛЕНИЕ О СООТВЕТСТВИИ ТРЕБОВАНИЯМ ЕС

Techtronic Industries GmbH
Max-Eyth-Strasse 10, D-71364 Winnenden, Germany

Настоящим мы заявляем, что данный продукт

Аккумуляторный Струнный Подрезчик / Кромкообрезчик
Номер модели: OLT1825/RLT1825Li
Диапазон заводских номеров: 93800101000001 - 93800101999999

соответствует требованиям следующих Директив ЕС и согласованных стандартов

2006/42/EC, 2004/108/EC, 2000/14/EC, 2005/88/EC, 2002/96/EC, 2011/65/
EU, 2006/66/EC, EN ISO 14982:2009; EN 60745-1:2009+A11:2010; EN
786:1996+A2:2009

Измеренный уровень звуковой мощности: 91,6 dB (A)
Гарантируемый уровень звуковой мощности: 93 dB (A)

Способ оценки соответствия, приложение VI к директиве 2000/14/EC.

Andrew John Eyre (BEng, CEng, MIET)
Вице-президент по техническому оборудованию
Winnenden, Nov. 13, 2012

Лицо, ответственное за подготовку технической документации:

Rainer Kumpf
Techtronic Industries GmbH
Max-Eyth-Strasse 10, D-71364 Winnenden, Germany

CE

PL DEKLARACJA ZGODNOŚCI EC

Techtronic Industries GmbH
Max-Eyth-Strasse 10, D-71364 Winnenden, Germany

Niniejszym deklarujemy, że produkty
Podkaszarka Bezprzewodowa / Krawędziarka
Numer modelu: OLT1825/RLT1825Li
Zakres numerów seryjnych: 93800101000001 - 93800101999999

jest zgodny z następującymi dyrektywami europejskimi i zharmonizowanymi normami
2006/42/EC, 2004/108/EC, 2000/14/EC, 2005/88/EC, 2002/96/EC, 2011/65/
EU, 2006/66/EC, EN ISO 14982:2009; EN 60745-1:2009+A11:2010; EN
786:1996+A2:2009

Zmierzony poziom natężenia hałasu: 91.6 dB (A)
Maksymalny poziom natężenia hałasu: 93 dB (A)

Metoda ocena zgodności zgodnie z aneksem VI Dyrektywa 2000/14/EC.

Andrew John Eyre (BEng, CEng, MIET)
Wicedyrektor działu projektowania
Winnenden, Nov. 13, 2012

Osoba upoważniona do sporządzenia dokumentu technicznego:
Rainer Kumpf
Techtronic Industries GmbH
Max-Eyth-Strasse 10, D-71364 Winnenden, Germany

HU EC IZJAVA O USKLADENOSTI

Techtronic Industries GmbH
Max-Eyth-Strasse 10, D-71364 Winnenden, Germany

Ezúton kijelentjük, hogy a termék
Akkumulátoros Szegélyvágó / Szegélylyíró
Típuszám: OLT1825/RLT1825Li
Sorozatszám tartomány: 93800101000001 - 93800101999999

megfelel az alábbi Európai Irányelvek és harmonizált szabványok vonatkozó rendelkezéseinek
2006/42/EC, 2004/108/EC, 2000/14/EC, 2005/88/EC, 2002/96/EC, 2011/65/
EU, 2006/66/EC, EN ISO 14982:2009; EN 60745-1:2009+A11:2010; EN
786:1996+A2:2009

Mért hangteljesítményszint: 91.6 dB (A)
Garantált hangteljesítményszint: 93 dB (A)

A megfelelőségi értékelési eljárás a 2000/14/EC irányelv VI. függeléke szerint történt.

Andrew John Eyre (BEng, CEng, MIET)
Alelnök, tervezés
Winnenden, Nov. 13, 2012

A műszaki dokumentáció összeállítására felhatalmazott:
Rainer Kumpf
Techtronic Industries GmbH
Max-Eyth-Strasse 10, D-71364 Winnenden, Germany

CS PROHLÁŠENÍ O SHODĚ EC

Techtronic Industries GmbH
Max-Eyth-Strasse 10, D-71364 Winnenden, Germany

Tímto prohlašujeme, že výrobky
Akumulátorová Strunová Sekačka / Obrubníková Sekačková
Číslo modelu: OLT1825/RLT1825Li
Rozsah sériových čísel: 93800101000001 - 93800101999999

že tento výrobek je v souladu s evropskými a harmonizovanými standardy
2006/42/EC, 2004/108/EC, 2000/14/EC, 2005/88/EC, 2002/96/EC, 2011/65/
EU, 2006/66/EC, EN ISO 14982:2009; EN 60745-1:2009+A11:2010; EN
786:1996+A2:2009.

Změřená hladina akustického výkonu: 91.6 dB (A)
Zaručená hladina akustického výkonu: 93 dB (A)

Soulad s metodou určování pro přílohu VI směrnice 2000/14/EC.

Andrew John Eyre (BEng, CEng, MIET)
Viceprezident pro strojírenství
Winnenden, Nov. 13, 2012

Pověření ke kompilaci technického souboru:
Rainer Kumpf
Techtronic Industries GmbH
Max-Eyth-Strasse 10, D-71364 Winnenden, Germany

RO DECLARAȚIE DE CONFORMITATE EC

Techtronic Industries GmbH
Max-Eyth-Strasse 10, D-71364 Winnenden, Germany

Prin prezenta, declarăm că produsele
Trimmer Fără Fir / Mașină De Bordurat Iarba
Număr serie: OLT1825/RLT1825Li
Gamă număr serie: 93800101000001 - 93800101999999

este în conformitate cu următoarele Directive Europene și standarde armonizate
2006/42/EC, 2004/108/EC, 2000/14/EC, 2005/88/EC, 2002/96/EC, 2011/65/
EU, 2006/66/EC, EN ISO 14982:2009; EN 60745-1:2009+A11:2010; EN
786:1996+A2:2009

Nivelul măsurat al puterii acustice: 91.6 dB (A)
Nivel garantat al puterii acustice: 93 dB (A)

Metoda de evaluare a conformității cu Anexa VI Directiva 2000/14/EC.

Andrew John Eyre (BEng, CEng, MIET)
Vice president of Engineering
Winnenden, Nov. 13, 2012

Autorizat să completeze fișa tehnică:
Rainer Kumpf
Techtronic Industries GmbH
Max-Eyth-Strasse 10, D-71364 Winnenden, Germany

LV EC ATBILSTĪBAS PAZIŅOJUMS

Technronic Industries GmbH
Max-Eyth-Strasse 10, D-71364 Winnenden, Germany

Ar šo paziņojam, ka produkti

Bezvadu Līnijas Trimmeris / Apmāju Trimmeris
Modeļa numurs: OLT1825/RLT1825Li
Sērijas numura intervāls: 93800101000001 - 93800101999999

atbilst šādām Eiropas direktīvām un saskaņotajiem standartiem

2006/42/EC, 2004/108/EC, 2000/14/EC, 2005/88/EC, 2002/96/EC, 2011/65/
EU, 2006/66/EC, EN ISO 14982:2009; EN 60745-1:2009+A11:2010; EN
786:1996+A2:2009

Izmērītās skaņas jaudas līmenis: 91.6 dB (A)
Garantētais skaņas intensitātes līmenis: 93 dB (A)

Atbilstības novērtēšanas metode pielikumam VI Direktīvai 2000/14/EC.

Andrew John Eyre (BEng, CEng, MIET)
Tehniskais viceprezidents
Winnenden, Nov. 13, 2012

Pilnvarots sastādīt tehnisko failu:
Rainer Kumpf
Technronic Industries GmbH
Max-Eyth-Strasse 10, D-71364 Winnenden, Germany

ET EC VASTAVUSDEKLARATSIION

Technronic Industries GmbH
Max-Eyth-Strasse 10, D-71364 Winnenden, Germany

Kinnitame, et see toode

Juhtmeta Trimmer / Servajaa
Modeli number: OLT1825/RLT1825Li
Seerianumbri vahemik: 93800101000001 - 93800101999999

vastab järgmistele Euroopa direktiividele ja harmoniseeritud standarditele

2006/42/EC, 2004/108/EC, 2000/14/EC, 2005/88/EC, 2002/96/EC, 2011/65/
EU, 2006/66/EC, EN ISO 14982:2009; EN 60745-1:2009+A11:2010; EN
786:1996+A2:2009

Mõõdetud helivõimsuse tase: 91.6 dB (A)
Garanteeritud helivõimsuse tase: 93 dB (A)

Vastavushindamine vastavalt lisale VI direktiivis 2000/14/EC.

Andrew John Eyre (BEng, CEng, MIET)
Asepresident tootmise alal
Winnenden, Nov. 13, 2012

Tehnilise faili koostamiseks volitatud isik:
Rainer Kumpf
Technronic Industries GmbH
Max-Eyth-Strasse 10, D-71364 Winnenden, Germany

LT EC ATITIKTIES DEKLARACIJA

Technronic Industries GmbH
Max-Eyth-Strasse 10, D-71364 Winnenden, Germany

Mes pareiškiame, kad šie produktai

Akumulatorinė Žoliapjovė / Vejos Kraštų Pjaunamoji
Modelio numeris: OLT1825/RLT1825Li
Serijinio numerio diapazonas: 93800101000001 - 93800101999999

pagamintas laikantis toliau nurodytųjų Europos Direktivų ir darniųjų standartų

2006/42/EC, 2004/108/EC, 2000/14/EC, 2005/88/EC, 2002/96/EC, 2011/65/
EU, 2006/66/EC, EN ISO 14982:2009; EN 60745-1:2009+A11:2010; EN
786:1996+A2:2009

Išmatuotas akustinis lygis: 91.6 dB (A)
Garantuotas akustinis lygis: 93 dB (A)

Atitikties įvertinimo metodas pagal direktyvos 2000/14/EC, VI Priedą.

Andrew John Eyre (BEng, CEng, MIET)
Viceprezidentas, inžinerija
Winnenden, Nov. 13, 2012

Įgaliotas sudaryti techninį failą:
Rainer Kumpf
Technronic Industries GmbH
Max-Eyth-Strasse 10, D-71364 Winnenden, Germany

HR EC IZJAVA O USKLADENOSTI

Technronic Industries GmbH
Max-Eyth-Strasse 10, D-71364 Winnenden, Germany

OVime izjavljujemo da su proizvodi

Bežični Trimer / Trimer Za Oblikovnje
Broj modela: OLT1825/RLT1825Li
Raspon serijskog broja: 93800101000001 - 93800101999999

usklađeni sa sljedećim Europskim Direktivama i usklađenim normama

2006/42/EC, 2004/108/EC, 2000/14/EC, 2005/88/EC, 2002/96/EC, 2011/65/
EU, 2006/66/EC, EN ISO 14982:2009; EN 60745-1:2009+A11:2010; EN
786:1996+A2:2009

Izmjerena razina zvučne snage: 91.6 dB (A)
Jamičena razina zvučne snage: 93 dB (A)

Metoda procjene usklađenosti prema Dodatku VI Direktive 2000/14/EC.

Andrew John Eyre (BEng, CEng, MIET)
Potpredsjednik inženjeringa
Winnenden, Nov. 13, 2012

Ovlašten da sastavi tehničku datoteku:
Rainer Kumpf
Technronic Industries GmbH
Max-Eyth-Strasse 10, D-71364 Winnenden, Germany

SL IZJAVA EC O SKLADNOSTI

Techtronic Industries GmbH
Max-Eyth-Strasse 10, D-71364 Winnenden, Germany

Izjavljamo, da je izdelek

Brezžična Nitna Kosilnica / Kosilnica Za Robove
Številka modela: OLT1825/RLT1825Li
Razpon serijskih števil: 93800101000001 - 93800101999999

v skladu s sledečimi evropskimi direktivami in harmoniziranimi standardi

2006/42/EC, 2004/108/EC, 2000/14/EC, 2005/88/EC, 2002/96/EC, 2011/65/
EU, 2006/66/EC, EN ISO 14982:2009; EN 60745-1:2009+A11:2010; EN
786:1996+A2:2009

Izmerjena raven zvočne moči: 91.6 dB (A)
Zajamčena raven zvočne moči: 93 dB (A)

Način ugotavljanja skladnosti z aneksom VI direktive 2000/14/EC.

Andrew John Eyre (BEng, CEng, MIET)
Podpredsednik tehničnega oddelka
Winnenden, Nov. 13, 2012

Pooblaščená oseba za sestavo tehnične dokumentacije:
Rainer Kumpf
Techtronic Industries GmbH
Max-Eyth-Strasse 10, D-71364 Winnenden, Germany

BG ЕС ДЕКЛАРАЦИЯ НА ЗА СЪОТВЕТСТВИЕ

Производител: Techtronic Industries GmbH
Адрес: Max-Eyth-Strasse 10, D-71364 Winnenden, Germany

С настоящето декларираме, че продуктите

Безжичен Тример / Тример За Оформяне На Ръбове
Номер на модела: OLT1825/RLT1825Li
Обхват на серийни номера: 93800101000001 - 93800101999999

отговаря на следните директиви на ЕС и хармонизирани стандарти

2006/42/EC, 2004/108/EC, 2000/14/EC, 2005/88/EC, 2002/96/EC, 2011/65/
EU, 2006/66/EC, EN ISO 14982:2009; EN 60745-1:2009+A11:2010; EN
786:1996+A2:2009

Измерено ниво на шум: 91.6 dB (A)
Гарантирано ниво на шум 93 dB (A)

Метод за оценяване на съответствието с приложение VI Директива 2000/14/EC.

Andrew John Eyre (BEng, CEng, MIET)
Вицепрезидент, машиностроене
Winnenden, Nov. 13, 2012

Упълномощено лице за съставяне на техническия файл:
Rainer Kumpf
Techtronic Industries GmbH
Max-Eyth-Strasse 10, D-71364 Winnenden, Germany

SK PREHLÁSENIE O ZHODE EC

Techtronic Industries GmbH
Max-Eyth-Strasse 10, D-71364 Winnenden, Germany

Týmto vyhlasujeme, že výrobok

Akumulátorová Strunová Kosačka / Obrubovačka
Číslo modelu: OLT1825/RLT1825Li
Rozsah sériových čísiel: 93800101000001 - 93800101999999

je v súlade s nasledujúcimi Európskymi smernicami a harmonizovanými normami

2006/42/EC, 2004/108/EC, 2000/14/EC, 2005/88/EC, 2002/96/EC, 2011/65/
EU, 2006/66/EC, EN ISO 14982:2009; EN 60745-1:2009+A11:2010; EN
786:1996+A2:2009

Nameraná úroveň hluku: 91.6 dB (A)
Garantovaná úroveň hluku: 93 dB (A)

Spôsob určenia zhody podľa Dodatku VI Smernica 2000/14/EC.

Andrew John Eyre (BEng, CEng, MIET)
viceprezident technického oddelenia
Winnenden, Nov. 13, 2012

Oprávnená osoba na zostavenie technického súboru:
Rainer Kumpf
Techtronic Industries GmbH
Max-Eyth-Strasse 10, D-71364 Winnenden, Germany



