



# RAZER THRESHER

IMPORTANT PRODUCT INFORMATION GUIDE

---

## PACKAGE CONTENTS / SYSTEM REQUIREMENTS

### PACKAGE CONTENTS

- Razer Thresher gaming headset for Xbox One
- USB to Micro-USB cable
- Important Product Information Guide

### SYSTEM REQUIREMENTS

- Xbox One / Xbox One S / Xbox One X  
OR
- PC (Windows 10 or higher)\*

*\*May require Xbox Wireless Adapter for Windows (not included)*

### SAFETY STATEMENT

**IMPORTANT!** Before using the Xbox One with this product, read the Xbox One instruction manual for safety, health, and other information regarding the use of the Xbox One.

---

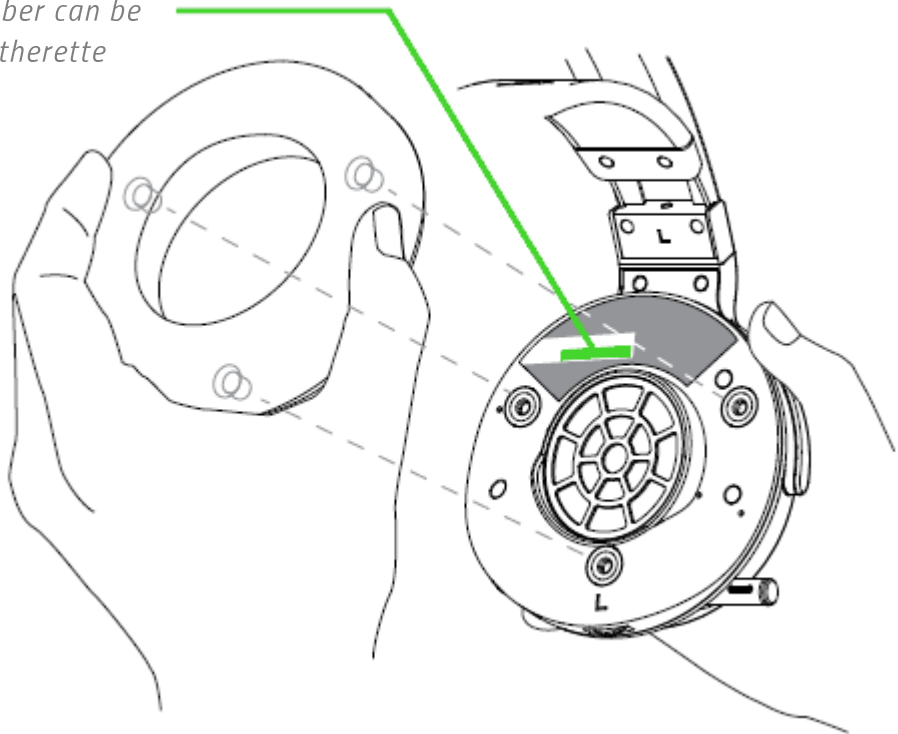
## 2. REGISTRATION / TECHNICAL SUPPORT

### REGISTRATION

Register your product online at [razerzone.com/registration](https://www.razerzone.com/registration) for real-time information on your product's warranty.

If you don't have a Razer ID yet, register now at [razerzone.com/razer-id](https://www.razerzone.com/razer-id) for access to a wide range of Razer benefits.

*Your product's serial number can be found underneath the leatherette cushion, as shown here.*



### TECHNICAL SUPPORT

- 1 year limited manufacturer's warranty
- Free online technical support at [razersupport.com](https://www.razersupport.com)

---

## DEVICE LAYOUT



- A. Adjustable padded headband
- B. Circumaural, leatherette ear cushions
- C. Microphone LED
- D. Retractable microphone
- E. Razer logo backlighting
- F. LED indicator
- G. Headset power button
- H. Micro-USB charging port
- I. Game/chat balance control
- J. Audio volume control
- K. USB to Micro-USB cable

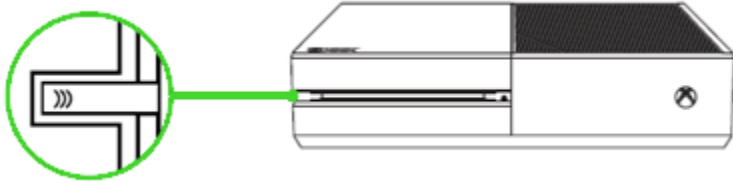
---

## SETTING UP YOUR RAZER THRESHER

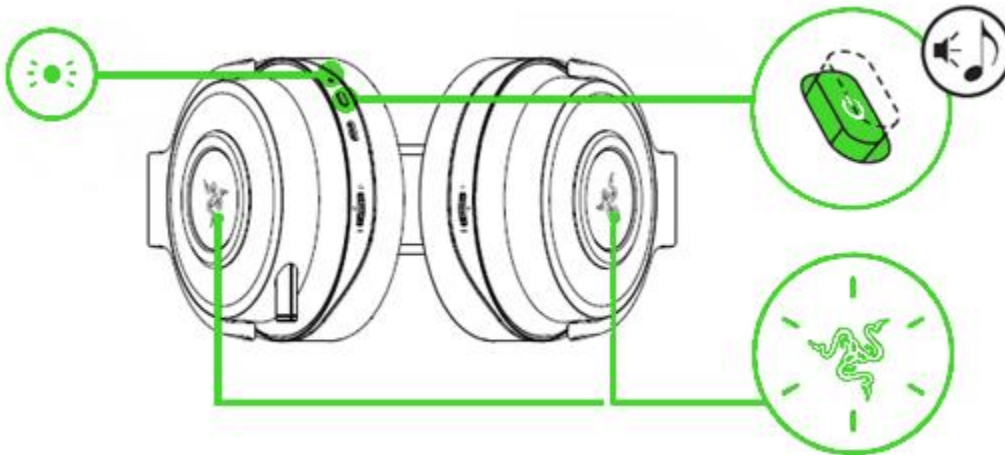
### PAIRING YOUR HEADSET TO YOUR XBOX ONE

*Note: Make sure to power on your Xbox One and log into your Xbox Live account before connecting your Razer Thresher.*

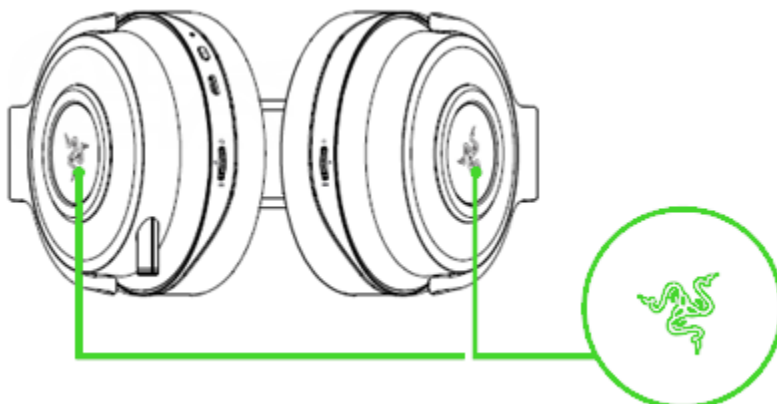
1. Press the connect button on your console.



2. While in power off state, press and hold the headset power button until the Razer logo starts blinking rapidly.



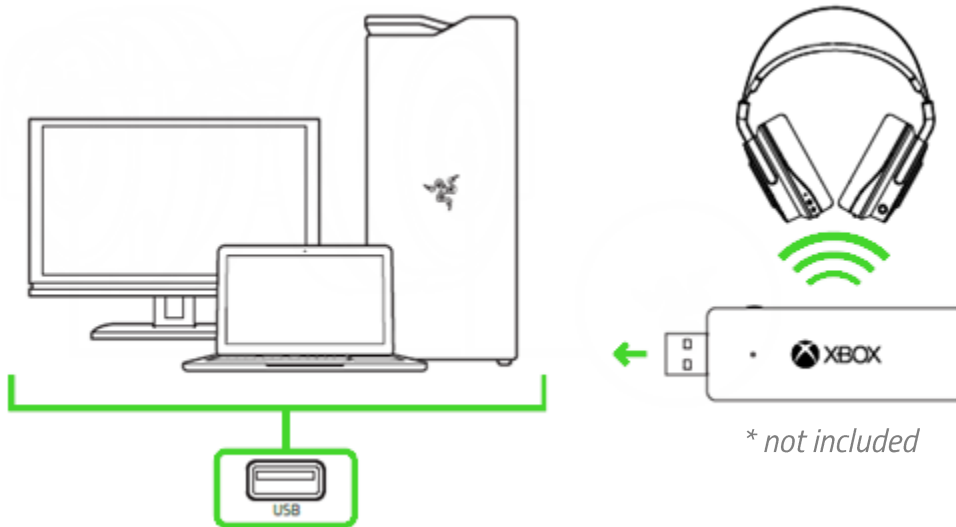
3. Wait until the Razer logo becomes static green to notify that the headset is paired.



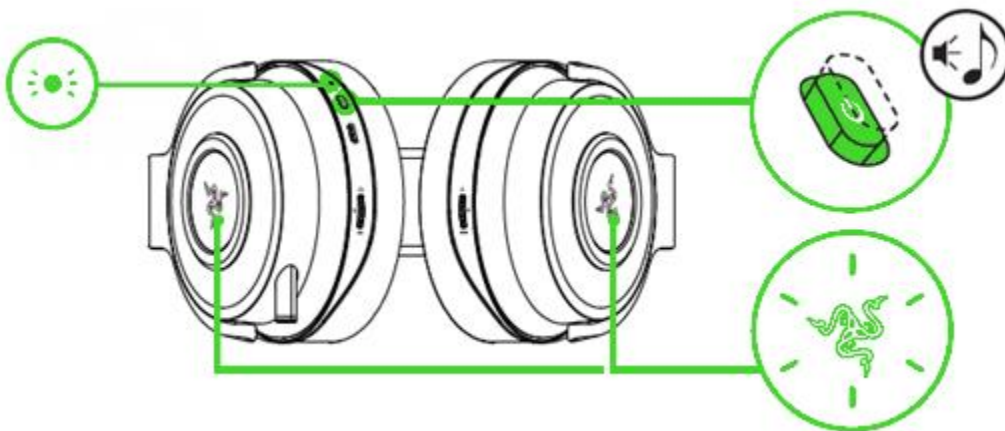
## PAIRING YOUR HEADSET TO YOUR PC

*Note: Make sure that your Xbox Wireless Adapter for Windows is up-to-date. Some systems have Xbox Wireless built in which allows you to pair your headset by using **Add a device** in **Settings**.*

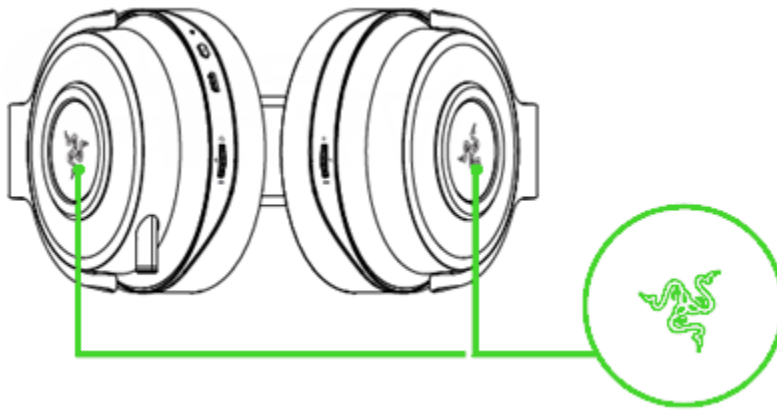
1. Connect your Xbox Wireless Adapter for Windows\* to your PC, and then press the connect button.



2. While in power off state, press and hold the headset power button until the Razer logo starts blinking.

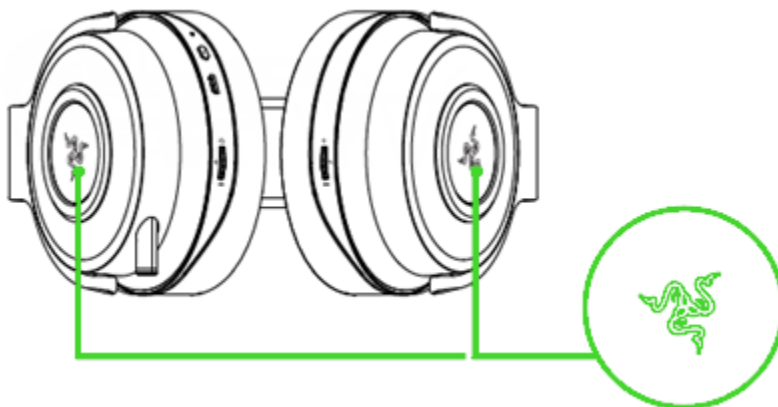





3. Wait until the Razer logo becomes static green to notify that the headset is paired.



## HEADSET NOTIFICATIONS

The headset will display notifications depending on its current status, as shown here:



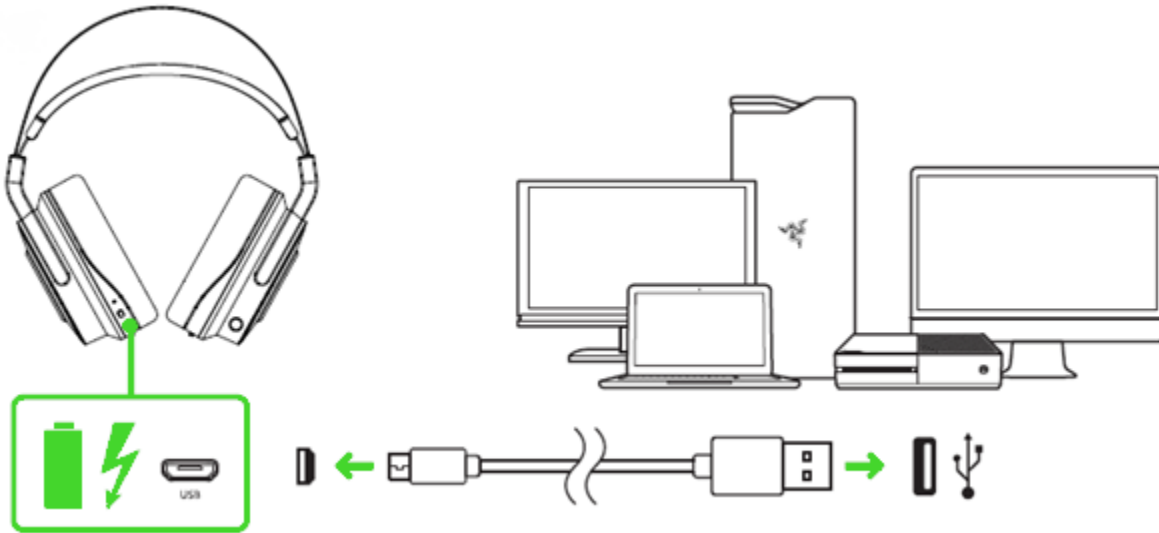
NOTIFICATION	STATUS
Blinking slowly 	Connecting
Blinking rapidly 	Pairing
Static 	Connected/Paired

---

## USING YOUR RAZER THRESHER

### CHARGING YOUR HEADSET










Plug your Razer Thresher to a powered USB port using the Micro-USB to USB cable.



For best results, please fully charge the headset before using it for the first time. A depleted unit will fully charge in about **4 hours**.

### Understanding The Charging Notifications

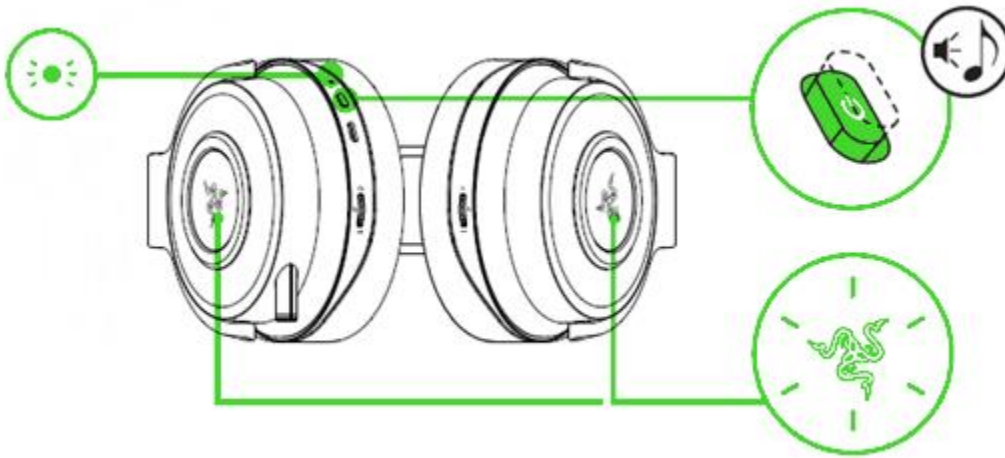
The LED indicator on the headset will send out notifications depending on its current charging status, as shown here:

LED NOTIFICATION	SOUND NOTIFICATION	STATUS
Static red 	None 	Charging 
Static green 	None 	Charged 
Blinking red 	Warning tone 	Low battery 



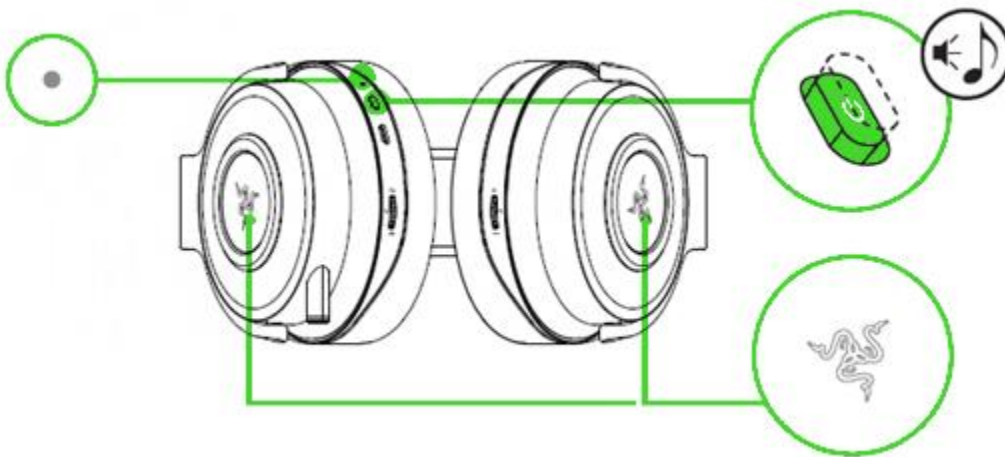
## POWER ON

Press and hold the headset power button until you hear the ON tone, the LED indicator is lit, or until the Razer logo starts blinking slowly.



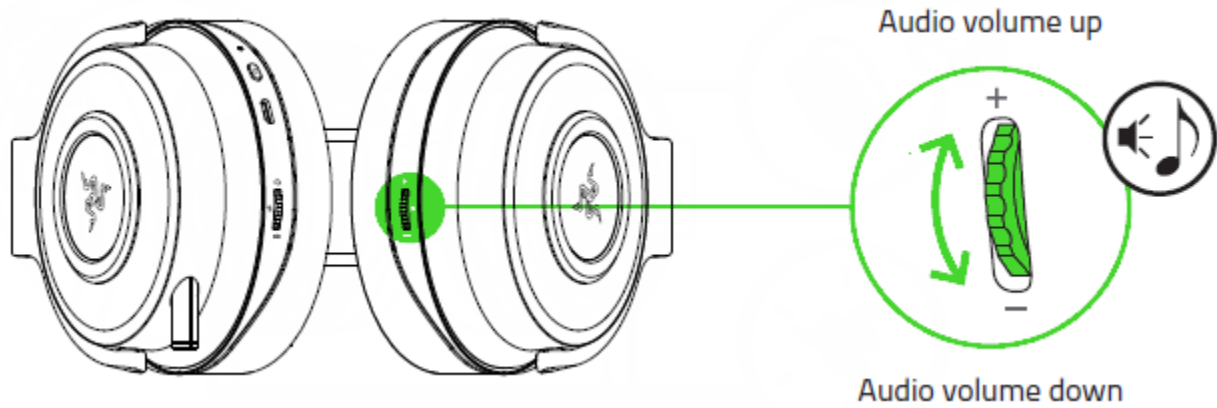
## POWER OFF

Press and hold the headset power button until you hear the OFF tone, the LED indicator is off, or until the Razer logo is turned off.

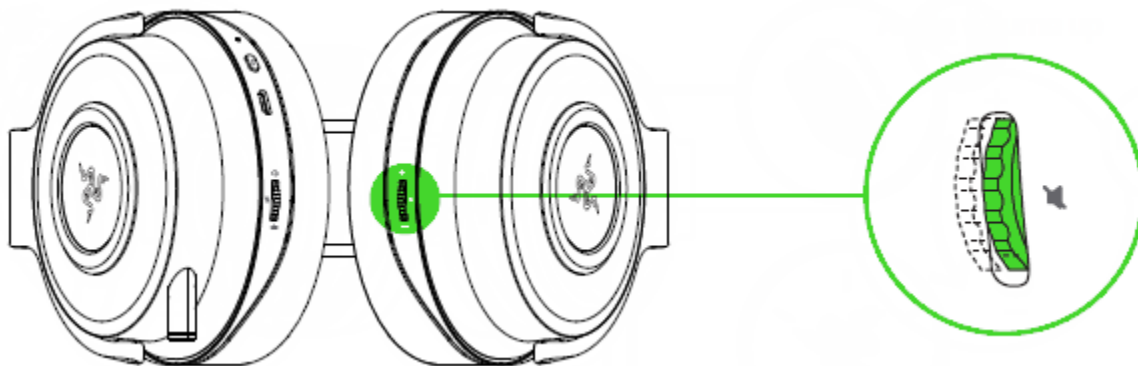


## USING THE AUDIO VOLUME CONTROL

Rotate the audio volume control to increase or decrease the volume. You will hear a short beep when you reach the minimum or maximum volume.

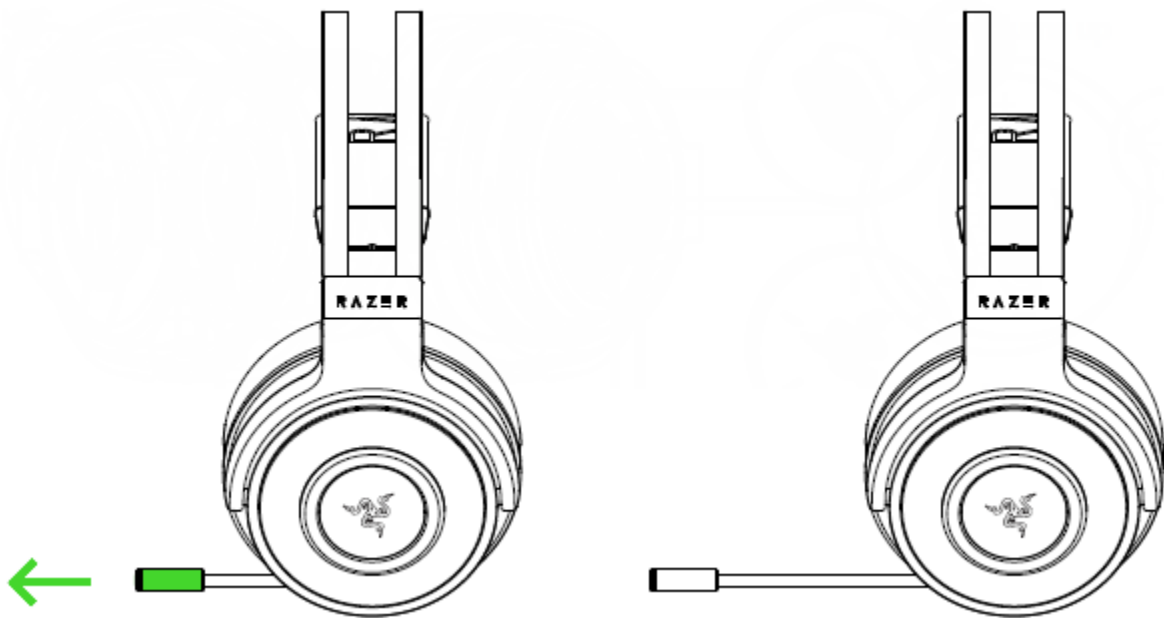


Press the audio mute button to mute or unmute the in-game audio.

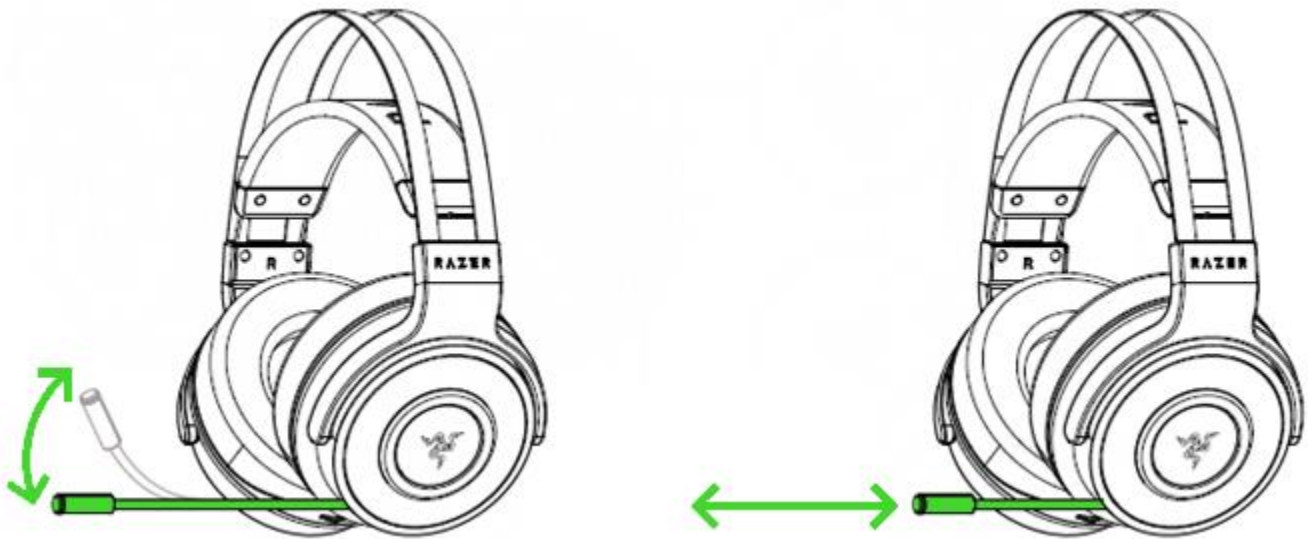


## USING THE RETRACTABLE MICROPHONE

Pull the tip of the microphone until it is fully extended.

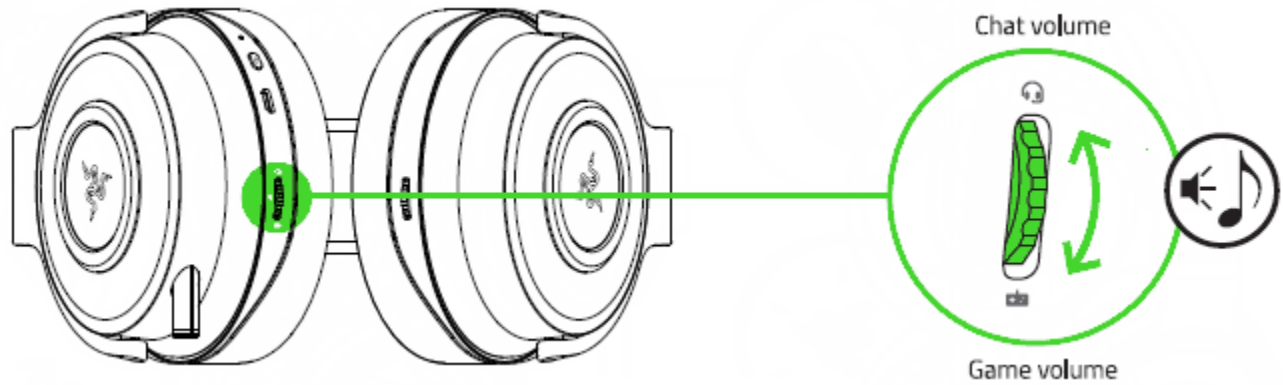


Bend the microphone until it is in front of your mouth, then adjust the length as preferred.

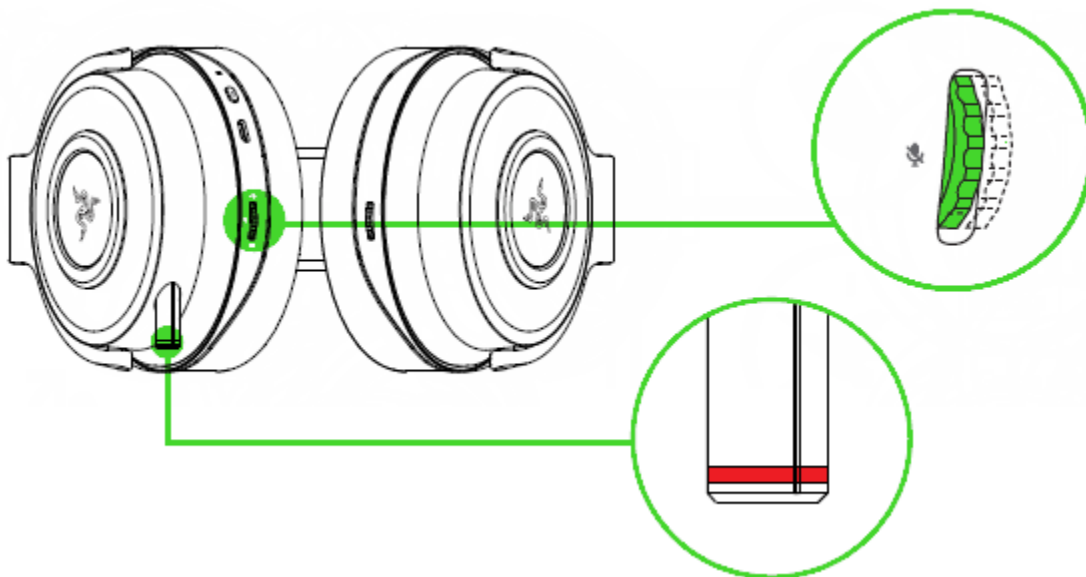


## USING THE GAME/CHAT BALANCE CONTROL

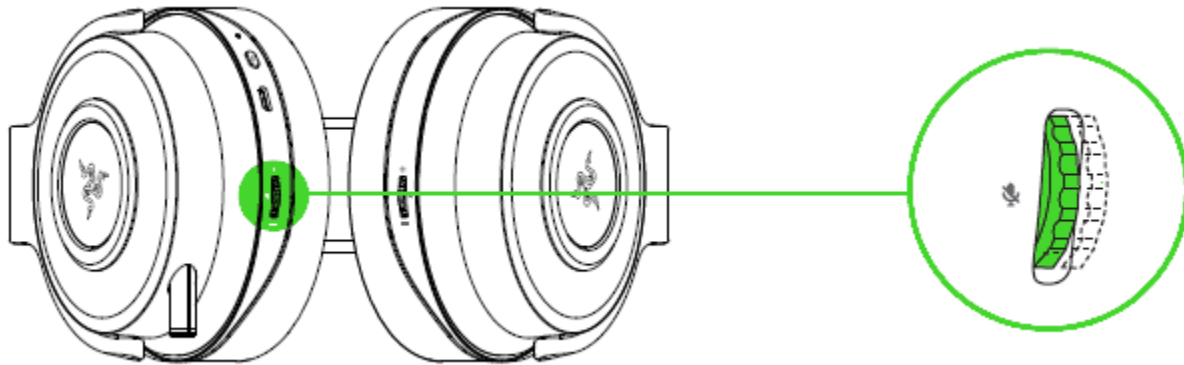
Rotate the game/chat balance control to increase the in-game volume and decrease the voice chat volume or vice versa. You will hear a short beep when you reach the maximum for either the in-game or voice chat volume.



Press the game/chat balance control to mute or unmute the microphone. The microphone LED will light up when muted.

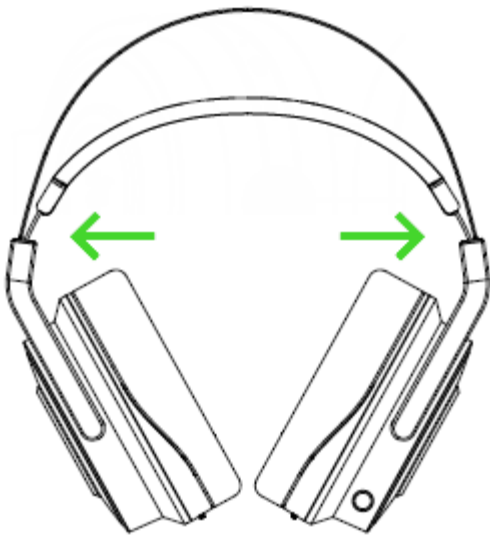


Press and hold the mic volume button until you hear a tone to enable or disable mic monitoring.



### EXTENDING YOUR HEADSET'S LIFESPAN

We recommend stretching the headset gently apart before placing them over your head to minimize headband stress. However, please avoid overstretching the headset beyond its technical limits.



---

## SAFETY AND MAINTENANCE

### SAFETY GUIDELINES

In order to achieve maximum safety while using your Razer Thresher, we suggest that you adopt the following guidelines:

Should you have trouble operating the device properly and troubleshooting does not work, unplug the device and contact the Razer hotline or go to [razersupport.com](https://razer.com/support) for support. Do not attempt to service or fix the device yourself at any time.

Do not take apart the device (doing so will void your warranty) and do not attempt to operate it under abnormal current loads.

Keep the device away from liquid, humidity or moisture. Operate the device only within the specific temperature range of 0°C (32°F) to 40°C (104°F). Should the temperature exceed this range, unplug and/or switch off the device in order to let the temperature stabilize to an optimal level.

The device isolates external ambient sounds even at low volumes, resulting in lowered awareness of your external surroundings. Please remove the device when engaging in any activity that requires active awareness of your surroundings.

Listening to excessively loud volume over an extended period of time can damage your hearing. Furthermore, legislation of certain countries permits only a maximum sound level of 86db for 8 hours a day. We therefore recommend that you reduce the volume to a comfortable level when listening for prolonged periods of time. Please, take good care of your hearing.

### MAINTENANCE AND USE

The Razer Thresher requires minimum maintenance to keep it in optimum condition. Once a month we recommend you unplug the device from the computer and clean it using a soft cloth or cotton swab to prevent dirt buildup. Do not use soap or harsh cleaning agents.

---

## LEGALESE

### **COPYRIGHT AND INTELLECTUAL PROPERTY INFORMATION**

©2017 Razer Inc. All rights reserved. Razer, the triple-headed snake logo, Razer logo, “For Gamers. By Gamers.”, and “Powered by Razer Chroma” logo are trademarks or registered trademarks of Razer Inc. and/or affiliated companies in the United States or other countries. All other trademarks and trade names are the property of their respective owners and other company and product names mentioned herein may be trademarks of their respective companies.

Windows and the Windows logo are trademarks of the Microsoft group of companies.

Xbox One is either a registered trademark or trademark of Microsoft Corporation in the United States and/or other countries.

Razer Inc. (“Razer”) may have copyright, trademarks, trade secrets, patents, patent applications, or other intellectual property rights (whether registered or unregistered) concerning the product in this guide. Furnishing of this guide does not give you a license to any such copyright, trademark, patent or other intellectual property right. The Razer Thresher (the “Product”) may differ from pictures whether on packaging or otherwise. Razer assumes no responsibility for such differences or for any errors that may appear. Information contained herein is subject to change without notice.

### **LIMITED PRODUCT WARRANTY**

For the latest and current terms of the Limited Product Warranty, please visit:

[razerzone.com/warranty](http://razerzone.com/warranty).

### **LIMITATION OF LIABILITY**

Razer shall in no event be liable for any lost profits, loss of information or data, special, incidental, indirect, punitive or consequential or incidental damages, arising in any way out of distribution of, sale of, resale of, use of, or inability to use the Product. In no event shall Razer’s liability exceed the retail purchase price of the Product.

### **COSTS OF PROCUREMENT**

For the avoidance of doubt, in no event will Razer be liable for any costs of procurement unless it has been advised of the possibility of such damages, and in no case shall Razer be liable for any costs of procurement liability exceeding the retail purchase price of the Product.

## **GENERAL**

These terms shall be governed by and construed under the laws of the jurisdiction in which the Product was purchased. If any term herein is held to be invalid or unenforceable, then such term (in so far as it is invalid or unenforceable) shall be given no effect and deemed to be excluded without invalidating any of the remaining terms. Razer reserves the right to amend any term at any time without notice.