

SKIL®

HIGH-PRESSURE WASHER 0760 (F0150760..)



GB	ORIGINAL INSTRUCTIONS	6	UA	ОРИГІНАЛЬНА ІНСТРУКЦІЯ З ЕКСПЛУАТАЦІЇ	53
F	NOTICE ORIGINALE	9	GR	ΠΡΩΤΟΤΥΠΟ ΟΔΗΓΙΩΝ ΧΡΗΣΗΣ	56
D	ORIGINALBETRIEBSANLEITUNG	12	RO	INSTRUCȚIUNI DE FOLOSIRE ORIGINALE	60
NL	ORIGINELE GEBRUIKSAANWIJZING	15	BG	ОРИГИНАЛНО РЪКОВОДСТВО ЗА ЕКСПЛОАТАЦИЯ	63
S	BRUKSANVISNING I ORIGINAL	18	SK	PŮVODNÝ NÁVOD NA POUŽITIE	66
DK	ORIGINAL BRUGSANVISNING	21	HR	ORIGINALNE UPUTE ZA RAD	69
N	ORIGINAL BRUKSANVISNING	23	SRB	ORIGINALNO UPUTSTVO ZA RAD	72
FIN	ALKUPERÄISET OHJEET	26	SLO	IZVIRNA NAVODILA	75
E	MANUAL ORIGINAL	29	EST	ALGUPÄRANE KASUTUSJUHEND	77
P	MANUAL ORIGINAL	32	LV	ORIĢINĀLĀ LIETOŠANAS PAMĀCĪBA	80
I	ISTRUZIONI ORIGINALI	35	LT	ORIGINALI INSTRUKCIJA	83
H	EREDETI HASZNÁLATI UTASÍTÁS	38	MK	ИЗБОРНО УПАТСТВО ЗА РАБОТА	86
CZ	PŮVODNÍM NÁVODEM K POUŽÍVÁNÍ	41	AL	UDHËZIMET ORIGINALE	89
TR	ORİJİNAL İŞLETME TALİMATI	44	AR	دليل الاستعمال	99
PL	INSTRUKCJA ORYGINALNA	47	FA	راهنمای اصلی	97
RU	ПОДЛИННИК РУКОВОДСТВА ПО ЭКСПЛУАТАЦИИ	50			

www.skil.com

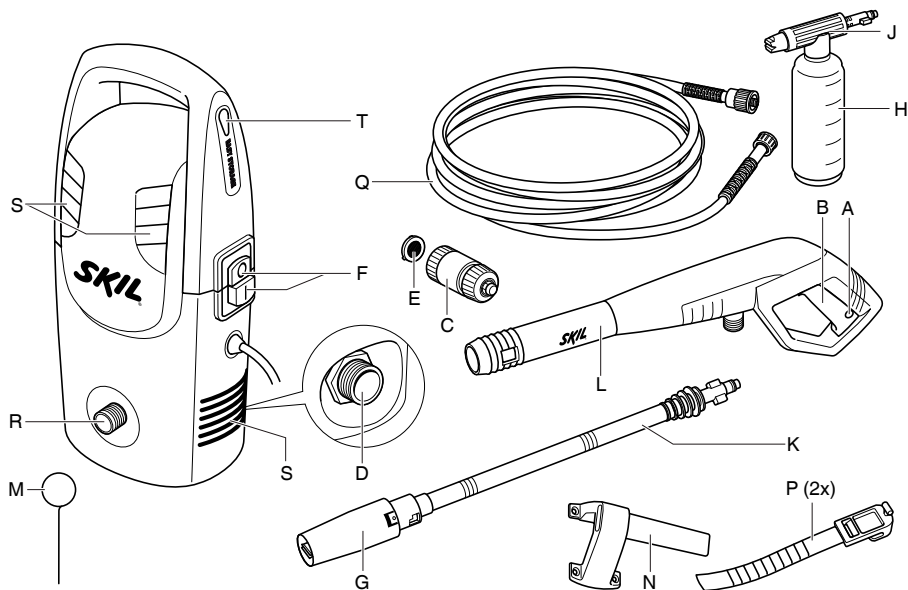


1

0760

1400 Watt	P 7 MPa	Pmax 10 MPa	5 l/min	MAX 40°C
5 mtrs	5 mtrs	500 ml	4,5 kg EPTA 01/2003	230 240 V~ 50-60 Hz

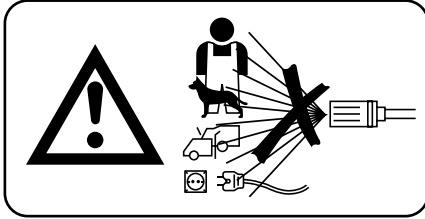
2



3



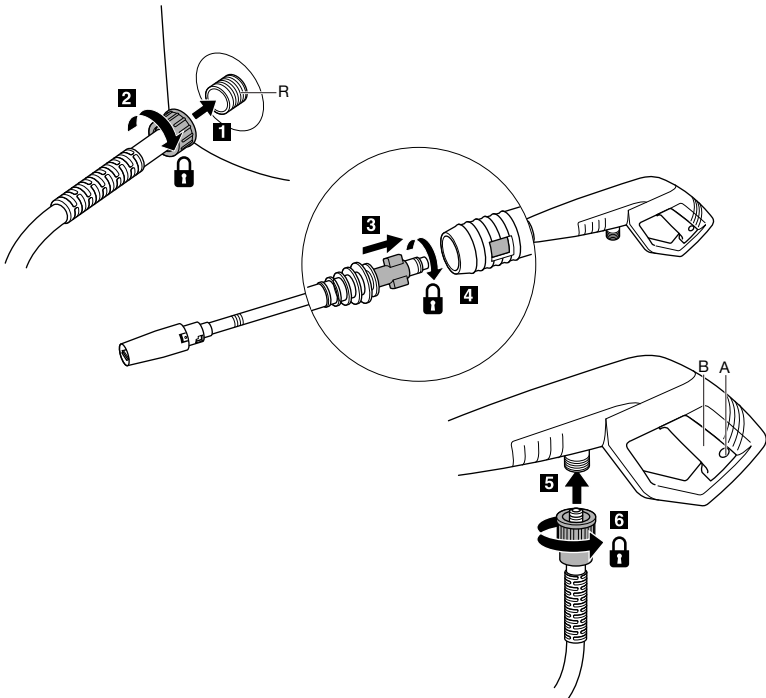
4

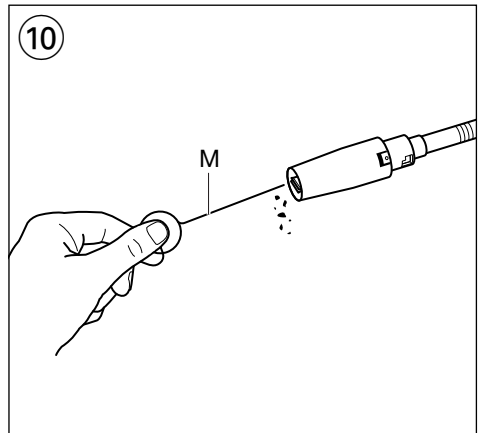
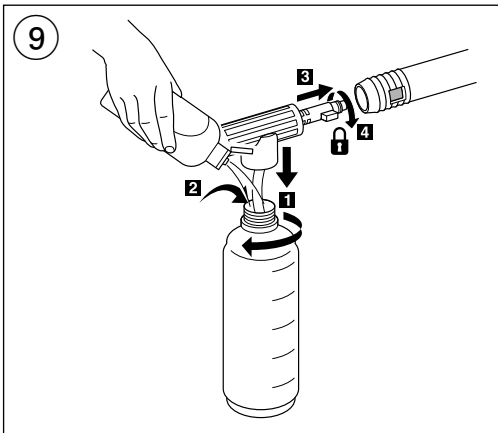
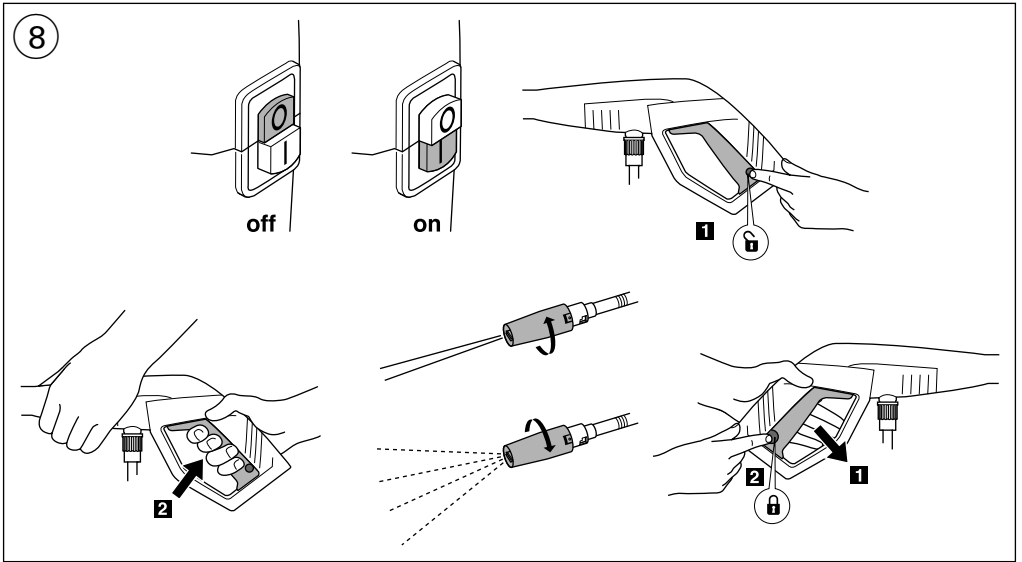
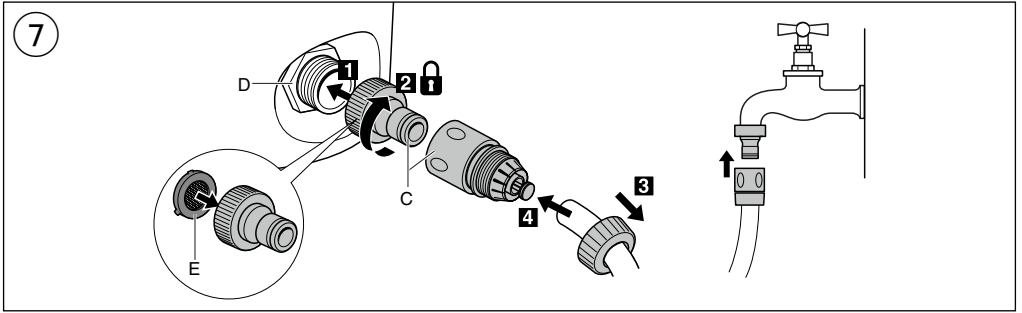


5

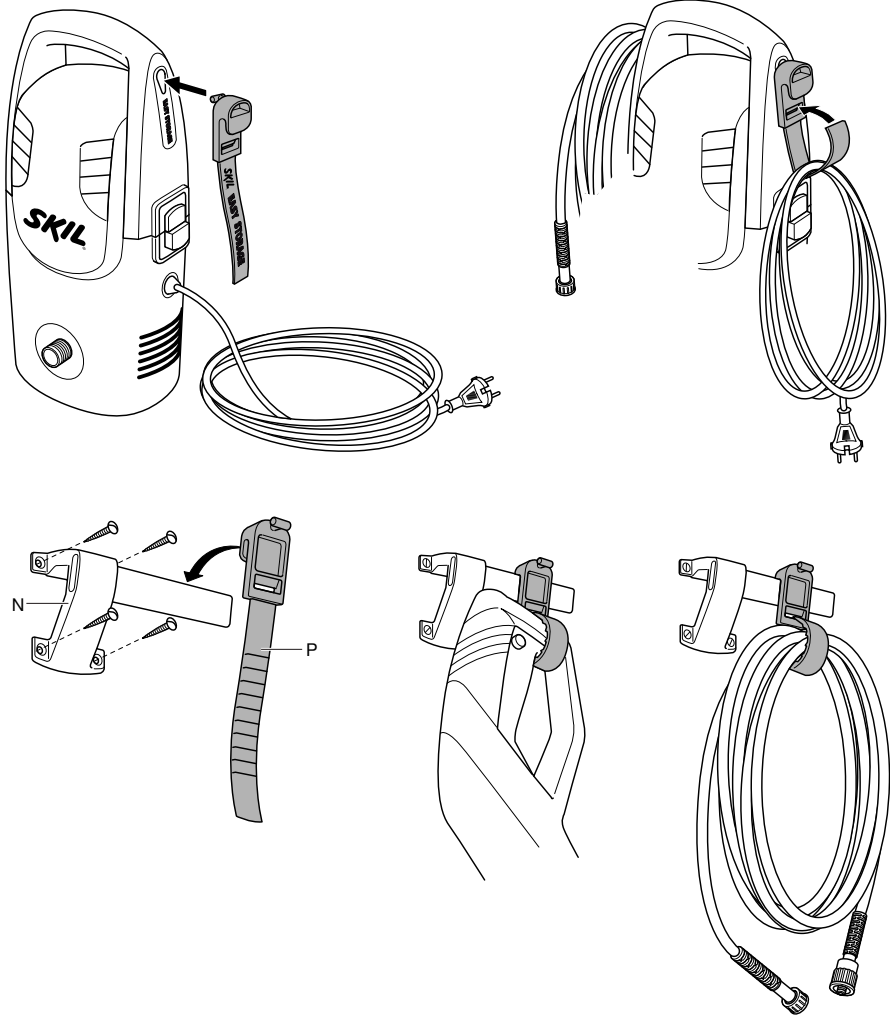


6

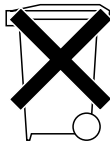




11



12



High-pressure washer

0760

INTRODUCTION

- This tool has been designed for cleaning areas and objects outside the house, vehicles and boats
- This tool is intended for domestic use only and is not designed to operate with water from sources other than a watertap
- This tool is not intended for professional use
- **Read this instruction manual carefully before use and save it for future reference** ③
- **Pay special attention to the safety instructions and warnings; failure to follow these may result in serious injury**
- Check whether the packaging contains all parts as illustrated in drawing ②
- When parts are missing or damaged, please contact your dealer

TECHNICAL DATA ①

Working pressure (P)	7 MPa
Maximum working pressure (Pmax)	10 MPa
Inlet pressure	0 - 0,6 MPa

TOOL ELEMENTS ②

- A Trigger lock
- B Trigger
- C Inlet connector
- D Water inlet
- E Water filter
- F Mains switch
- G Spraying nozzle
- H Detergent bottle
- J Detergent nozzle
- K Spray lance
- L Hand gun
- M Cleaning needle
- N Storage rail (**screws not supplied**)
- P Storage strap (2)
- Q High-pressure hose
- R Water outlet
- S Ventilation slots
- T Connection for storage straps

SAFETY

GENERAL

- Use the tool and its accessories in accordance with this instruction manual and in the manner intended for the tool; use of the tool for operations, different from those normally expected to be performed by the tool, could result in a hazardous situation
- **Never draw in solvent-containing liquids, undiluted acids or solvents (e.g. petrol, paint thinners, heating oil); these liquids produce a highly flammable, explosive and toxic sprayed vapour and they also corrode the tool components**

- Only use the tool when the ambient temperature is between 0°C and 40°C
- **Start working only when tool and operating equipment are in perfect condition and safe to operate**
- Be aware of the kickback forces that occur when starting the high-pressure washer; hold hand gun and spray lance firmly and take a secure stance
- Never clamp the trigger in position during operation
- **Never direct the water jet towards other people, animals, live electrical equipment or the tool itself** ④
- Never leave the tool unattended while the motor is running
- Do not operate the tool in potentially explosive locations
- **Always switch off tool, disconnect plug from power source, and ensure there is no water pressure in tool and hand gun before adjusting, cleaning or changing accessories**

PERSONAL SAFETY

- This tool is not intended for use by persons (including children) with reduced physical, sensory or mental capabilities, or lack of experience and knowledge, unless they have been given supervision or instruction concerning use of the tool by a person responsible for their safety
- Ensure that children do not play with the tool
- Wear suitable protective clothing to protect against splashing water
- **Do not use the tool with other persons in the vicinity unless they wear protective clothing**
- Do not spray materials containing asbestos and other materials which contain substances which are hazardous to your health
- Only clean tyres/tyre valves from a minimum distance of 30 cm to prevent damaging them (damaged vehicle tyres may lead to fatal accidents)
- **Do not direct the water jet against yourself or others in order to clean clothes or footwear**

WATER SUPPLY

- **Only use the high-pressure hose and coupling supplied with the tool**
- Replace a damaged high-pressure hose immediately (with identical specifications)
- Do not kink or drive a motor vehicle over the high-pressure hose
- Do not expose the high-pressure hose to sharp edges or corners
- Ensure that all connecting hoses have properly sealed joints
- **Be aware that the sprayed water generated by the tool is not drinkable**
- According to the applicable regulations, the tool must never be used on the drinking water net without a system separator ⑤; use a suitable system separator as per EN 12729 type BA

ELECTRICAL SAFETY

- Always check that the supply voltage is the same as the voltage indicated on the nameplate of the tool (tools with a rating of 230V or 240V can also be connected to a 220V supply)
- Connect the tool via a fault current (FI) circuit breaker with a triggering current of 30 mA maximum

- Ensure that all current-conducting components in the working area are protected against splashed water
- Keep cord connections dry and off ground
- Inspect the cord periodically and have it replaced by a qualified person, if damaged
- Do not run over, crush or pull the (extension) cord
- Protect the (extension) cord from heat, oil and sharp edges
- Only use an extension cord which is intended for outdoor use and equipped with a watertight plug and coupling-socket
- Use completely unrolled and safe extension cords with a capacity of 16 Amps (U.K. 13 Amps)
- Only use extension cords with a maximum length of 20 metres (1,5 mm²) or 50 metres (2,5 mm²)
- Inspect the extension cord periodically and replace it, if damaged (**inadequate extension cords can be dangerous**)
- Never touch the mains plug with wet hands
- Always switch off tool and disconnect plug from power source if the power supply cord or the extension cord is cut, damaged or entangled (**do not touch the cord before disconnecting the plug**)
- When connecting a new plug, pay attention to the following (U.K. only):
 - plugs and sockets conforming to BS 4243 or BS 196 should be used wherever practicable
 - domestic pattern plugs to BS 1363 are not recommended, but if their use is essential, those which have barriers or moulded channels inside should be selected, so that, if the earth continuity conductor is pulled out of its terminal, it is unlikely to be able to touch the phase terminal of the fuse carrier
 - domestic pattern plugs to BS 546 should not be used
 - the wiring of the plug should leave more slack in the earth continuity conductor than in the other cores, so that it is not the first core to be pulled out of its terminal, should the cord grip fail
 - plugs which have good grips capable of maintaining a firm hold on the cable sheath should be selected
 - in general, additional means should be provided to relieve stress on cable terminations in the plug (for example, additional cable clamps should be fitted or a substantial chain could be used to tether the machine to a fixed point)
 - plugs and sockets situated near the work site or outdoors should be to class IP 55 of BS 5490 to provide adequate protection against ingress of water, etc. and cable entries require effective sealing
 - rubber shrouds should be provided over cable glands
 - drip-proof (class IP X2 of BS 5490) plugs and sockets to BS 4343 are suitable for use indoors where the plug is away from the water spray area where the appliance is in use

USE

- Assembly instructions ⑥
 - the sequence of the numbers appearing in the drawing corresponds with the sequence of the steps to be followed for assembling the high-pressure washer
 - as a safety precaution press trigger lock A to avoid that trigger B is activated accidentally

- Connection to water supply ⑦
 - screw inlet connector C onto water inlet D
 - ! **never use inlet connector C without water filter E**
 - attach water supply hose (not supplied) to water tap and inlet connector C
 - ! **ensure that the temperature of the incoming water does not exceed 40°C** (on a hot day run the water until it cools down before connecting to water tap)
- Operating the tool ⑧
 - ensure that the tool is placed on a solid base and in vertical position
 - connect the tool to the mains supply (ensure that mains switch F is in the off-position)
 - open water tap
 - press trigger lock A to release trigger B
 - fully press trigger B to release any trapped air from the tool or the water supply hose
 - release trigger B and press trigger lock A
 - switch on the tool by pressing button "I" of mains switch F
 - after switching on the motor starts running for a few seconds until maximum pressure is reached
 - press trigger lock A, point spraying nozzle G at the area to be washed and then pull trigger B
 - switch between a concentrated jet of water and a wide spray by turning nozzle G
 - upon release of trigger B the motor stops running after a few seconds when maximum pressure is reached
 - switch off the tool by pressing button "O" of mains switch F
 - close water tap
 - fully press trigger B until there is no more water pressure in the tool
 - after use press trigger lock A to avoid that trigger B is activated accidentally
 - disconnect plug from power source
 - disconnect water supply hose from tool and water tap
- Use of detergent bottle ⑨
 - ! **ensure that trigger is locked and mains switch is in the off-position**
 - unscrew bottle H from detergent nozzle J and fill it with biodegradable detergent suitable for high-pressure washer application (**the use of other detergents or chemicals may adversely affect the safety of the tool**)
 - ! **do not use undiluted detergents**
 - screw filled bottle H onto detergent nozzle J
 - remove lance K from hand gun L and mount detergent nozzle J instead as illustrated
 - press trigger lock A, point detergent nozzle J at the area to be washed and then pull trigger B
 - ! **detergent does not come out under high pressure**

APPLICATION ADVICE

- When using detergent bottle H
 - ! **read the detergent label for additional instructions**
 - always wet the object first
 - apply detergent to the object from the bottom up
 - give the detergent time to work, but never leave it to dry
 - rinse from top and work downwards
- For more tips see www.skil.com

MAINTENANCE / SERVICE

- This tool is not intended for professional use
- **Before maintenance always switch off tool, ensure there is no water pressure in tool and hand gun, disconnect plug from power source, and disconnect tool from water supply**
- Always keep tool and cord clean (especially ventilation slots S ②)
 - do not use water, solvents or polishes
 - regularly clean spraying nozzle G using cleaning needle M ⑩ (remove spray lance K from hand gun L first)
- Regularly check for worn or damaged components and have them repaired/replaced when necessary
- Cleaning water filter
 - remove water filter E ② from inlet connector C ② with long nose pliers
 - rinse it clean and put it back (replace it when damaged)
- ! **never use the tool with a damaged water filter**
- Storage ①
 - store the tool out of reach of children in a location where the ambient temperature will not exceed 40°C or drop below 0°C
 - do not place other objects on top of the tool
 - securely mount storage rail N on the wall with 4 screws (**not supplied**) and horizontally leveled
 - use storage rail N and storage straps P as illustrated
- If the tool should fail despite the care taken in manufacturing and testing procedures, repair should be carried out by an after-sales service centre for SKIL power tools
 - send the tool **undismantled** together with proof of purchase to your dealer or the nearest SKIL service station (addresses as well as the service diagram of the tool are listed on www.skil.com)

TROUBLESHOOTING

- The following listing shows problem symptoms, possible causes and corrective actions (if these do not identify and correct the problem, contact your dealer or service station)
 - ! **switch off the tool and disconnect the plug before investigating the problem**
- ★ Spray is not consistent
 - nozzle partly blocked -> clean nozzle
- ★ Motor does not start or stops suddenly
 - power supply socket faulty -> use another socket
 - plug not connected -> connect plug
 - thermal protection switched off the motor -> let the tool cool down for 5 minutes
- ★ Motor is running but spray is poor
 - nozzle completely blocked -> clean nozzle
 - water filter clogged -> clean water filter
 - air in the pump -> ensure that water inlet connector is securely fitted
 - inadequate water supply -> check that water tap is fully open

ENVIRONMENT

- **Do not dispose of electric tools, accessories and packaging together with household waste material** (only for EU countries)
 - in observance of European Directive 2012/19/EC on waste of electric and electronic equipment and its implementation in accordance with national law, electric tools that have reached the end of their life must be collected separately and returned to an environmentally compatible recycling facility
 - symbol ⑫ will remind you of this when the need for disposing occurs

DECLARATION OF CONFORMITY CE

- We declare under our sole responsibility that the product described under "Technical data" is in conformity with the following standards or standardization documents: EN 60335, EN 61000, EN 55014 in accordance with the provisions of the directives 2006/95/EC, 2004/108/EC, 2006/42/EC, 2000/14/EC, 2011/65/EU
- **Technical file at:** SKIL Europe BV (PT-SEU/ENG1), 4825 BD Breda, NL

Marijn van der Hoofden
Operations & Engineering

Olaf Dijkgraaf
Approval Manager



SKIL Europe BV, 4825 BD Breda, NL

26.02.2014

CE10

NOISE/VIBRATION

- Measured in accordance with EN 60704-1 the sound pressure level of this tool is 81dB(A) and the sound power level 93 dB(A) (standard deviation: 3 dB), and the vibration 2.5 m/s² (hand-arm method; uncertainty K = 1.5 m/s²)
- Measured in accordance with 2000/14/EC the guaranteed sound power level LWA is lower than 97 dB(A) (conformity assessment procedure according to Annex V)
- The vibration emission level has been measured in accordance with a standardised test given in EN/ISO 5349; it may be used to compare one tool with another and as a preliminary assessment of exposure to vibration when using the tool for the applications mentioned
 - using the tool for different applications, or with different or poorly maintained accessories, may significantly **increase** the exposure level
 - the times when the tool is switched off or when it is running but not actually doing the job, may significantly **reduce** the exposure level
- ! **protect yourself against the effects of vibration by maintaining the tool and its accessories, keeping your hands warm, and organizing your work patterns**

Laveur haute pression

0760

INTRODUCTION

- Cet outil a été conçu pour nettoyer les zones et objets situés à l'extérieur de la maison, des véhicules et des bateaux
- Cet outil est destiné uniquement à un usage domestique et n'est pas prévu pour fonctionner avec de l'eau provenant d'autres sources que d'un robinet.
- Cet outil n'est conçu pour un usage professionnel
- **Lisez attentivement ce manuel d'instruction avant d'utiliser l'outil et conservez-le pour pouvoir vous y référer ultérieurement** ③
- **Prêtez attention aux consignes de sécurité et aux avertissements; ne pas suivre ces instructions peut entraîner des graves blessures**
- Vérifiez que le conditionnement contient toutes les pièces présentées dans le schéma ②
- Lorsque des pièces manquent ou sont endommagées, veuillez contacter votre distributeur

CARACTERISTIQUES TECHNIQUES ①

Pression d'utilisation (P)	7 MPa
Pression maximale d'utilisation (Pmax)	10 MPa
Pression d'alimentation	0 à 0,6 MPa

ELEMENTS DE L'OUTIL ②

- A Blocage de la gâchette
- B Gâchette
- C Connecteur d'alimentation
- D Alimentation d'eau
- E Filtre à eau
- F Interrupteur secteur
- G Dispositif de vaporisation
- H Bouteille de détergent
- J Embout du détergent
- K Lance de vaporisation
- L Pistolet manuel
- M Aiguille de nettoyage
- N Rail de rangement (**vis non fournies**)
- P Bande de rangement (2)
- Q Tuyau haute pression
- R Sortie d'eau
- S Fentes de ventilation
- T Connexion pour bandes de rangement

SECURITE

GENERALITES

- Utilisez l'outil et ses accessoires en conformité avec ce manuel d'instructions et de la façon pour laquelle il a été conçu; l'emploi de l'outil à d'autres manipulations que celles prévues normalement peut causer des situations dangereuses
- **Ne le passez jamais dans des liquides contenant du solvant, des acides ou des solvants non dilués (par ex. de l'essence, des diluants, de l'huile de friture) ; ces liquides produisent une vapeur pulvérisée toxique,**

explosive, extrêmement inflammable et ils corrodent aussi les éléments de l'outil

- Utilisez uniquement l'outil lorsque la température ambiante est située entre 0°C et 40°C
- **Commencez uniquement à travailler lorsque l'outil et l'équipement utilisé sont en parfait état et sûr pour toute utilisation**
- Prenez conscience des forces de recul qui se produisent lors du lancement du laveur haute pression ; tenez le pistolet manuel et la lance de pulvérisation fermement et adoptez une position de travail stable et sûre
- Ne bloquez jamais la gâchette en place durant le fonctionnement
- **Ne dirigez jamais le jet d'eau vers d'autres personnes, animaux, équipement électrique en marche ou vers l'outil lui-même** ④
- Ne laissez jamais l'outil sans surveillance lorsque le moteur tourne
- Ne faites pas fonctionner l'outil dans des endroits potentiellement explosifs
- **Coupez toujours l'outil, débranchez la fiche de la prise d'alimentation et veillez à ce qu'il n'y ait pas de pression d'eau dans l'outil et le pistolet manuel avant le réglage, le nettoyage ou le changement d'accessoires**

SECURITE DES PERSONNES

- Cet outil n'a pas été conçu pour être utilisé par des personnes (y compris des enfants) dont les capacités physiques, sensorielles ou mentales sont réduites, ou manquant d'expérience ou de connaissances, excepté si elles ont fait l'objet d'une surveillance ou ont reçu des instructions concernant l'utilisation de l'outil par une personne responsable de leur sécurité
- Veillez à ce que les enfants ne jouent pas avec l'outil
- Portez des vêtements de protection appropriés pour vous protéger des éclaboussures d'eau
- **N'utilisez pas l'outil avec d'autres personnes dans le voisinage sauf s'ils portent des vêtements de protection**
- Ne vaporisez pas des matériaux contenant de l'amiante et d'autres matériaux qui contiennent des substances qui sont dangereuses pour la santé
- Nettoyez uniquement les pneus/les valves de pneus à une distance minimum de 30 cm pour éviter de les endommager (les pneus de véhicules endommagés peuvent provoquer des accidents mortels)
- **Ne dirigez pas le jet d'eau contre vous ou d'autres pour nettoyer les vêtements ou les souliers**

ALIMENTATION EN EAU

- **Utilisez uniquement le tuyau haute pression et le raccordement fournis avec l'outil**
- Remplacez un tuyau haute pression endommagé immédiatement (avec caractéristiques techniques identiques)
- Ne tordez pas un tuyau haute pression ou ne faites pas rouler un véhicule dessus
- N'exposez pas le tuyau haute pression à des bords tranchants ou des coins saillants
- Veillez à ce que tous les tuyaux de connexion aient des joints bien scellés
- **Soyez conscient que l'eau vaporisée générée par l'outil n'est pas potable**

- Selon les directives en vigueur, l'outil ne doit jamais être exploité sans séparateur système sur le réseau d'eau potable ⑤; utilisez un séparateur système approprié selon EN 12729 type BA

SECURITE RELATIVE AU SYSTEME ELECTRIQUE

- Contrôlez toujours si la tension secteur correspond à la tension indiquée sur la plaquette signalétique de l'outil (les outils conçus pour une tension de 230V ou 240V peuvent également être branchés sur 220V)
- Branchez l'outil par l'intermédiaire d'un coupe-circuit (FI) avec courant de réaction de 30 mA au maximum
- Veillez à ce que tous les éléments conducteurs de courant de la zone de travail soient protégés contre les éclaboussures d'eau
- Maintenez toutes les connexions du câble au sec et à l'écart du sol
- Contrôlez régulièrement l'état du câble et faites-le remplacer par un technicien qualifié au besoin
- N'écrasez pas, ne coinciez pas et ne tirez pas sur le câble/la rallonge
- Protégez le câble/la rallonge de la chaleur, de l'huile et des arêtes vives
- Utilisez uniquement une rallonge spéciale pour l'extérieur et équipée d'une fiche et d'une prise de raccordement étanches
- Utilisez un câble de prolongement complètement déroulé et de bonne qualité d'une capacité de 16 A
- Utilisez uniquement des rallonges d'une longueur maximale de 20 mètres (1,5 mm²) ou de 50 mètres (2,5 mm²)
- Vérifiez de temps en temps la rallonge et remplacez-la si elle est endommagée (**des allonges inappropriées peuvent être dangereuses**)
- Ne touchez jamais la fiche électrique avec des mains humides
- Eteignez toujours l'outil et débranchez la fiche de l'alimentation si le câble d'alimentation ou la rallonge est coupé, endommagé ou entremêlé (**ne touchez pas le câble avant de débrancher la fiche**)

UTILISATION

- Instructions de montage ⑥
 - la séquence des numéros apparaissant sur le schéma correspond à la séquence des étapes à suivre pour le montage du laveur haute pression
 - par précaution, appuyez sur le blocage de la gâchette A pour éviter d'activer accidentellement B la gâchette
- Connexion à l'alimentation en eau ⑦
 - vissez le connecteur d'alimentation C dans l'alimentation d'eau D
 - ! **n'utilisez jamais le connecteur d'alimentation C sans filtre à eau E**
 - attachez le tuyau d'alimentation à eau (non fourni) au robinet à eau et au connecteur d'alimentation C
 - ! **veillez à ce que la température de l'eau entrante n'excède pas 40°C** (s'il fait très chaud, laissez couler l'eau jusqu'à ce qu'elle refroidisse avant de brancher le tuyau au robinet)
- Utilisation de l'outil ⑧
 - veillez à ce que l'outil soit mis sur une base stable et à la verticale
 - connectez l'outil à l'alimentation (veillez à ce que l'interrupteur secteur F soit coupé)

- ouvrez le robinet à eau
- appuyez sur le blocage de la gâchette A pour relâcher la gâchette B
- appuyez à fond sur la gâchette B pour faire partir tout l'air emprisonné dans l'outil ou le tuyau d'alimentation en eau
- relâchez la gâchette B et appuyez sur le blocage de la gâchette A
- mettez l'outil sous tension en appuyant sur le bouton "I" de l'interrupteur secteur F
- après la mise en marche, le moteur se met à tourner quelques secondes jusqu'à ce que la pression maximale soit atteinte
- appuyez sur le blocage de la gâchette A, pointez le dispositif de vaporisation G sur la zone à laver et ensuite tirez la gâchette B
- passez d'un jet d'eau concentré à une vaporisation large en faisant tourner l'embout G
- Lorsque la gâchette est relâchée, B le moteur arrête de fonctionner après quelques secondes lorsque la pression maximale est atteinte
- mettez l'outil hors tension en appuyant sur le bouton "O" de l'interrupteur secteur F
- fermez le robinet à eau
- appuyez sur la gâchette à fond B jusqu'à ce qu'il n'y ait plus de pression d'eau dans l'outil
- après usage, appuyez sur le blocage de la gâchette A pour éviter d'activer accidentellement B la gâchette
- débranchez la fiche de la prise d'alimentation
- débranchez le tuyau d'alimentation en eau de l'outil et du robinet
- Utilisation de la bouteille de détergent ⑨
 - ! **veillez à ce que la gâchette soit bloquée et à ce que l'interrupteur secteur soit mis hors tension**
 - dévissez la bouteille H de l'embout du détergent J et remplissez-le avec le détergent biodégradable qui convient à l'utilisation du laveur haute pression (**l'utilisation d'autres détergents ou produits chimiques peut avoir un effet défavorable sur la sécurité de l'outil**)
 - ! **n'utilisez pas de détergents non dilués**
 - vissez la bouteille remplie H sur l'embout du détergent J
 - enlevez la lance K du pistolet manuel L et montez l'embout du détergent J à la place, comme indiqué
 - appuyez sur le blocage de la gâchette A, pointez l'embout du détergent J sur la zone à laver et ensuite tirez la gâchette B
 - ! **le détergent ne sort pas à haute pression**

CONSEILS D'UTILISATION

- lors de l'utilisation de la bouteille de détergent H
 - ! **lisez l'étiquette du détergent pour connaître les autres instructions**
 - humidifiez toujours l'objet d'abord
 - appliquez le détergent sur l'objet en commençant par le bas
 - donnez au détergent le temps d'agir, mais ne le laissez jamais sécher
 - rincez depuis le haut et travaillez en descendant
- Pour des suggestions complémentaires voyez www.skil.com

ENTRETIEN / SERVICE APRES-VENTE

- Cet outil n'est pas conçu pour un usage professionnel
- **Avant l'entretien, coupez toujours l'outil, veillez à ce qu'il n'y ait pas de pression d'eau dans l'outil et le pistolet, débranchez la fiche de la prise d'alimentation et débranchez l'outil de l'alimentation à eau**
- Gardez toujours votre outil et le câble propres (spécialement les aérations S ②)
 - n'utilisez pas d'eau, de solvants ou de produits destinés à polir
 - nettoyez régulièrement le dispositif de vaporisation G en utilisant l'aiguille de nettoyage M ⑩ (enlevez la lance de vaporisation K du pistolet manuel L d'abord)
- Vérifiez régulièrement s'il y a des pièces usées ou abîmées et faites-les réparer/remplacer le cas échéant
- Nettoyage du filtre à eau
 - enlevez le filtre à eau E ② du connecteur d'alimentation C ② avec de longues pinces à bec
 - rincez-le à l'eau claire et remettez-le (remplacez-le s'il est endommagé)**! n'utilisez jamais l'outil avec un filtre à eau endommagé**
- Rangement ⑪
 - rangez l'outil hors de portée des enfants dans un endroit où la température ambiante ne dépasse pas 40°C et ne descend pas sous 0°C
 - ne placez pas d'autres objets au-dessus de l'outil
 - montez convenablement le rail de rangement N sur le mur avec 4 vis (**non fournies**) et bien mis à niveau
 - utilisez le rail de rangement N et les bandes de rangement P comme illustré
- Si, malgré tous les soins apportés à la fabrication et au contrôle de l'outil, celui-ci devait avoir un défaut, la réparation ne doit être confiée qu'à une station de service après-vente agréée pour outillage SKIL
 - retournez l'outil **non démonté** avec votre preuve d'achat au revendeur ou au centre de service après-vente SKIL le plus proche (les adresses ainsi que la vue éclatée de l'outil figurent sur www.skil.com)

DÉPANNAGE

- Le listing suivant indique les symptômes de problèmes, les causes éventuelles et les actions correctives (si celles-ci n'identifient pas et ne corrigent pas le problème, contactez votre fournisseur ou la station-service)
! arrêtez l'outil et débranchez la fiche avant d'examiner le problème
- ★ La pulvérisation n'est pas régulière
 - embout bloqué en partie -> nettoyez l'embout
- ★ Le moteur ne démarre pas ou s'arrête tout à coup
 - prise de l'alimentation en faute -> utilisez une autre prise
 - fiche non branchée -> branchez la fiche
 - la protection thermique a coupé le moteur -> laissez l'outil refroidir 5 minutes
- ★ Le moteur fonctionne, mais la vaporisation est faible
 - embout complètement bloqué -> nettoyez l'embout
 - filtre à eau obstrué -> nettoyez le filtre à eau
 - air dans la pompe -> veillez à ce que le connecteur d'alimentation en eau soit bien monté
 - alimentation en eau inappropriée -> veillez à ce que le robinet soit entièrement ouvert

ENVIRONNEMENT

- **Ne jetez pas les outils électriques, les accessoires et l'emballage dans les ordures ménagères** (pour les pays européens uniquement)
 - conformément à la directive européenne 2012/19/EG relative aux déchets d'équipements électriques ou électroniques, et à sa transposition dans la législation nationale, les outils électriques usés doivent être collectés séparément et faire l'objet d'un recyclage respectueux de l'environnement
 - le symbole ⑫ vous le rappellera au moment de la mise au rebut de l'outil

DÉCLARATION DE CONFORMITÉ CE

- Nous déclarons sous notre propre responsabilité que le produit décrit sous "Caractéristiques techniques" est en conformité avec les normes ou documents normatifs suivants: EN 60335, EN 61000, EN 55014 conformément aux termes des réglementations en vigueur 2006/95/CE, 2004/108/CE, 2006/42/CE, 2000/14/CE, 2011/65/UE
- **Dossier technique auprès de:** SKIL Europe BV (PT-SEU/ENG1), 4825 BD Breda, NL

Marijn van der Hoofden Olaf Dijkgraaf
Operations & Engineering Approval Manager

SKIL Europe BV, 4825 BD Breda, NL

26.02.2014

CE10

BRUIT/VIBRATION

- Mesuré selon EN 60704-1 le niveau de la pression sonore de cet outil est 81 dB(A) et le niveau de la puissance sonore 93 dB(A) (déviation standard: 3 dB), et la vibration < 2,5 m/s² (méthode main-bras; incertitude K = 1,5 m/s²)
- Mesuré selon 2000/14/CE le niveau de la puissance sonore garanti LWA est inférieur à 97 dB(A) (procédures d'évaluation de la conformité conformément à l'annexe V)
- Le niveau de vibrations émises a été mesuré conformément à l'essai normalisé de la norme EN/ISO 5349; il peut être utilisé pour comparer plusieurs outils et pour réaliser une évaluation préliminaire de l'exposition aux vibrations lors de l'utilisation de l'outil pour les applications mentionnées
 - l'utilisation de l'outil dans d'autres applications, ou avec des accessoires différents ou mal entretenus, peut considérablement **augmenter** le niveau d'exposition
 - la mise hors tension de l'outil et sa non-utilisation pendant qu'il est allumé peuvent considérablement **réduire** le niveau d'exposition
- **! protégez-vous contre les effets des vibrations par un entretien correct de l'outil et de ses accessoires, en gardant vos mains chaudes et en structurant vos schémas de travail**

Hochdruckreiniger

0760

EINLEITUNG

- Dieses Werkzeug dient zum Reinigen von Bereichen und Gegenständen außerhalb des Hauses sowie von Fahrzeugen und Booten
- Dieses Werkzeug ist nur für den Hausgebrauch bestimmt und kann nur mit Wasser aus dem Wasserhahn benutzt werden
- Dieses Werkzeug eignet sich nicht für den professionellen Einsatz
- **Bitte diese Bedienungsanleitung sorgfältig durchlesen und aufbewahren** ③
- **Achten Sie besonders auf die Sicherheits- und Warnhinweise; ihre Nichtbeachtung kann schwere Verletzungen nach sich ziehen**
- Sicherstellen, dass die Packung alle in der Zeichnung ② abgebildeten Teile enthält
- Wenn Teile fehlen oder beschädigt sind, wenden Sie sich an Ihren Händler

TECHNISCHE DATEN ①

Betriebsdruck (P)	7 MPa
Maximaler Betriebsdruck (Pmax)	10 MPa
Ansaugdruck	0 - 0,6 MPa

WERKZEUGKOMPONENTEN ②

- A Schalterarretierung
- B Schalter
- C Einlassanschluss
- D Wassereinfluss
- E Wasserfilter
- F Ein-/Ausschalter
- G Sprühdüse
- H Reinigungsmittelflasche
- J Reinigungsmitteldüse
- K Sprührohr
- L Sprühpistole
- M Reinigungsnadel
- N Aufbewahrungsschiene (**Schrauben nicht im Lieferumfang**)
- P Aufbewahrungsschlaufe (2)
- Q Hochdruckschlauch
- R Wasserauslass
- S Lüftungsschlitze
- T Verbindung zu Aufbewahrungsschlaufen

SICHERHEIT

ALLGEMEINES

- Das Werkzeug und sein Zubehör im Einklang mit dieser Bedienungsanleitung und auf für das Werkzeug vorgeschriebene Weise benutzen; Benutzung des Werkzeuges für Arbeiten, die sich von den vom Werkzeug normalerweise ausgeführten unterscheiden, könnte eine gefährliche Situation heraufbeschwören

- **Nie Flüssigkeiten ansaugen, die Lösungsmittel, unverdünnte Säuren oder Verdüner enthalten (z. B. Benzin, Farbverdünner oder Heizöl);** Diese Flüssigkeiten erzeugen einen leicht entflammaren, hochexplosiven und hochgiftigen Sprühdampf und führen zu Korrosion der Werkzeugkomponenten
- Das Werkzeug nur bei Umgebungstemperaturen zwischen 0 °C und 40 °C benutzen
- **Nur mit der Arbeit beginnen, wenn sich das Werkzeug und die Ausrüstung in perfektem Zustand befinden und betriebssicher sind**
- Die auftretenden Rückschlagkräfte beim Einschalten des Hochdruckreinigers beachten; Die Sprühpistole und das Sprührohr gut festhalten und auf sicheren Stand achten
- Den Schalter im Betrieb nie in der Position festklemmen
- **Den Wasserstrahl nie auf Personen, Tiere, stromführende Elektrogeräte oder das Werkzeug selbst richten** ④
- Das Werkzeug nie unbeaufsichtigt lassen, wenn der Motor läuft
- Das Werkzeug nicht an explosionsgefährdeten Orten benutzen
- **Vor dem Einstellen, Reinigen oder Austauschen von Zubehörteilen das Werkzeug stets ausschalten, den Stecker aus der Steckdose ziehen und sicherstellen, dass in der Sprühpistole und im Werkzeug kein Wasserdruck mehr vorherrscht**

SICHERHEIT VON PERSONEN

- Dieses Werkzeug ist nicht dafür bestimmt durch Personen (einschließlich Kinder) mit eingeschränkten physischen, sensorischen oder geistigen Fähigkeiten, oder mangelnder Erfahrung und Wissen, benutzt zu werden; es sei denn, sie werden durch eine für ihre Sicherheit zuständige Person beaufsichtigt oder erhalten von ihr Anweisungen, wie das Werkzeug zu benutzen ist
- Stellen Sie sicher, dass Kinder nicht mit dem Werkzeug spielen
- Geeignete Schutzkleidung zum Schutz vor Spritzwasser tragen
- **Das Werkzeug nicht in der Nähe von Personen benutzen, die keine Schutzkleidung tragen**
- Keine asbesthaltigen Materialien oder andere gesundheitsgefährdende Substanzen versprühen
- Reifen und Reifenventile nur mit einem Mindestabstand von 30 cm reinigen, um Beschädigungen zu vermeiden; (Beschädigte Fahrzeugreifen können zu tödlichen Unfällen führen)
- **Den Wasserstrahl nicht zum Reinigen von Kleidung oder Schuhen gegen sich selbst oder andere richten**

WASSERVERSORGUNG

- **Nur den mitgelieferten, zum Werkzeug gehörenden Hochdruckschlauch mit der zugehörigen Schlauchkupplung verwenden**
- Einen beschädigten Hochdruckschlauch sofort austauschen (durch einen Schlauch mit identischen technischen Daten)
- Den Hochdruckschlauch nicht knicken und nicht mit einem Fahrzeug darüber fahren
- Den Hochdruckschlauch von scharfen Kanten und Ecken fernhalten

- Sicherstellen, dass alle Anschlussschläuche richtig abgedichtete Verbindungen haben
- **Das von dem Werkzeug versprühte Wasser ist nicht trinkbar**
- Gemäß gültiger Vorschriften darf das Werkzeug nie ohne Systemtrenner am Trinkwassernetz betrieben werden (5); verwenden Sie ein geeigneter Systemtrenner gemäß EN 12729 Typ BA

ELEKTRISCHE SICHERHEIT

- Stets nachprüfen, daß die Netzspannung mit der auf dem Typenschild des Werkzeuges angegebenen Spannung übereinstimmt (mit 230V oder 240V beschriftete Werkzeuge können auch an 220V betrieben werden)
- Das Werkzeug über einen Fehlerstrom- (FI) Schutzschalter mit einem Auslösestrom von 30 mA Max. anschließen
- Sicherstellen, dass alle stromführenden Bauteile im Arbeitsbereich vor Spritzwasser geschützt sind
- Kabelverbindungen trocken und vom Boden fern halten
- Das Kabel regelmäßig kontrollieren und ein beschädigtes Kabel von einem anerkannten Elektrofachmann ersetzen lassen
- Nicht auf das (Verlängerungs-) Kabel treten, darüber fahren, es knicken oder daran ziehen
- Das (Verlängerungs-) Kabel vor Hitze, Öl und scharfen Kanten schützen
- Nur ein Verlängerungskabel benutzen, das für die Anwendung im Freien vorgesehen und mit wasserfesten Steckern und Kupplungen versehen ist
- Bei Benutzung von Verlängerungskabeln ist darauf zu achten, daß das Kabel vollständig abgerollt ist und eine Kapazität von 16 A hat
- Nur Verlängerungskabel mit einer maximalen Länge von 20 m (1,5 mm²) oder 50 m (2,5 mm²) verwenden
- Das Verlängerungskabel regelmäßig inspizieren und bei Beschädigung austauschen (**unzulängliche Kabel können gefährlich sein**)
- Den Stecker nie mit nassen Händen anfassen
- Werkzeug immer ausschalten und Stecker aus der Netzsteckdose ziehen, wenn das Netz- oder Verlängerungskabel durchtrennt oder beschädigt wird oder sich verfangen hat (**das Kabel nicht anfassen, bevor der Stecker gezogen wurde**)

BEDIENUNG

- Montageanleitung (6)
 - die Reihenfolge der Zahlen, die auf der Zeichnung angegeben sind, entspricht der Reihenfolge der Schritte, die beim Zusammenbau des Hochdruckreinigers befolgt werden müssen
 - als Vorsichtsmaßnahme die Schalterarretierung A drücken, um zu vermeiden, dass der Schalter B versehentlich betätigt wird
- Anschluss an die Wasserversorgung (7)
 - den Einlassanschluss C an den Wassereinlass D anschrauben
- ! **den Einlassanschluss C nie ohne Wasserfilter E verwenden**
- den Wasserversorgungsschlauch (nicht mitgeliefert) am Wasserhahn und am Einlassanschluss C befestigen

- ! **sicherstellen, dass die Temperatur des verwendeten Wassers 40 °C nicht überschreitet** (An einem heißen Tag vor dem Anschluss an den Wasserhahn das Wasser laufen lassen, bis es abkühlt)
- Bedienung des Werkzeuges (8)
 - sicherstellen, dass das Werkzeug senkrecht auf einem festen Untergrund steht
 - das Werkzeug an die Stromversorgung anschließen (Sicherstellen, dass der Ein-/Ausschalter F in der Aus-Stellung steht)
 - Wasserhahn öffnen
 - die Schalterarretierung A drücken, um den Schalter B zu lösen
 - den Schalter B vollständig drücken, um unter Umständen enthaltene Luft aus dem Werkzeug bzw. dem Wasserversorgungsschlauch entweichen zu lassen
 - den Schalter B loslassen und die Schalterarretierung A drücken
 - das Werkzeug durch Drücken der Taste "I" des Ein-/Ausschalters F einschalten
 - nach dem Einschalten läuft der Motor einige Sekunden bis der Maximaldruck erreicht ist
 - die Schalterarretierung A drücken, die Sprühdüse G auf den zu reinigenden Bereich richten und dann den Schalter B drücken
 - durch Drehen der Düse G zwischen einem kompakten Wasserstrahl und einem breiten Sprühstrahl umschalten
 - nach dem Loslassen des Schalters B stoppt der Motor nach einigen Sekunden, wenn der Maximaldruck erreicht ist
 - das Werkzeug durch Drücken der Taste "O" des Ein-/Ausschalters F ausschalten
 - Wasserhahn schließen
 - den Schalter B vollständig drücken, bis kein Wasserdruck mehr im Werkzeug ist
 - nach der Benutzung die Schalterarretierung A drücken, um zu vermeiden, dass der Schalter B versehentlich betätigt wird
 - den Stecker aus der Netzsteckdose ziehen
 - den Wasserversorgungsschlauch vom Werkzeug und vom Wasserhahn trennen
- Verwendung der Reinigungsmittelflasche (9)
 - ! **sicherstellen, dass der Schalter arretiert ist und der Ein-/Ausschalter in der Aus-Stellung steht**
 - die Flasche H von der Reinigungsmitteldüse J abschrauben und sie mit einem biologisch abbaubaren Reinigungsmittel für Hochdruckreiniger füllen (**Die Verwendung anderer Reinigungsmittel oder Chemikalien kann die Betriebssicherheit des Werkzeugs beeinträchtigen**)
 - ! **konzentrierte Reinigungsmittel nur verdünnt verwenden**
 - die gefüllte Flasche H an die Reinigungsmitteldüse J anschrauben
 - das Sprührohr K von der Sprühpistole L abmontieren und stattdessen die Reinigungsmitteldüse J wie abgebildet anbringen

- die Schalterarretierung A drücken, die Reinigungsmitteldüse J auf den zu reinigenden Bereich richten und dann den Schalter B drücken
- ! **das Reinigungsmittel kommt bei hohem Druck nicht heraus**

ANWENDUNGSHINWEISE

- Bei Verwendung der Reinigungsmittelflasche H
 - ! **das Etikett des Reinigungsmittels für weitere Anweisungen lesen**
 - den Gegenstand zuerst nass machen
 - das Reinigungsmittel von unten nach oben auf den Gegenstand aufbringen
 - das Reinigungsmittel einwirken, jedoch nie antrocknen lassen
 - von oben nach unten abspülen
- Für mehr Tips siehe www.skil.com

WARTUNG / SERVICE

- Dieses Werkzeug eignet sich nicht für den professionellen Einsatz
- **Vor der Pflege und Wartung das Werkzeug stets ausschalten, den Stecker aus der Steckdose ziehen, das Werkzeug von der Wasserversorgung trennen und sicherstellen, dass in der Sprühpistole und im Werkzeug kein Wasserdruck mehr vorherrscht**
- Halten Sie Werkzeug und Kabel immer sauber (insbesondere die Lüftungsschlitze S ②)
 - kein Wasser und keine Lösungsmittel oder Polituren verwenden
 - die Sprühdüse G regelmäßig mit der Reinigungsnadel M ⑩ reinigen (zuerst das Sprührohr K von der Sprühpistole L abmontieren)
- Regelmäßig auf verschlissene oder beschädigte Komponenten prüfen und diese bei Bedarf reparieren bzw. austauschen
- Reinigung des Wasserfilters
 - den Wasserfilter E ② mit einer Spitzzange vom Einlassanschluss C ② entfernen
 - den Filter abspülen und wieder montieren (bei Beschädigung austauschen)
- ! **das Werkzeug niemals mit defektem Wasserfilter benutzen**
- Aufbewahrung ⑪
 - das Werkzeug außerhalb der Reichweite von Kindern aufbewahren (an einem Ort, an dem die Umgebungstemperatur nicht über 40°C steigt oder unter 0°C fällt)
 - keine anderen Gegenstände auf das Werkzeug legen oder stellen
 - Aufbewahrungsschiene N sicher mit 4 Schrauben (**nicht mitgeliefert**) horizontal an der Wand befestigen
 - die Aufbewahrungsschiene N und die Aufbewahrungsschlaufen P wie abgebildet verwenden
- Sollte das Elektrowerkzeug trotz sorgfältiger Herstellungs- und Prüfverfahren einmal ausfallen, ist die Reparatur von einer autorisierten Kundendienststelle für SKIL-Elektrowerkzeuge ausführen zu lassen

- das Werkzeug **unzerlegt**, zusammen mit dem Kaufbeleg, an den Lieferer oder die nächste SKIL-Vertragswerkstätte senden (die Anschriften so wie die Ersatzteilzeichnung des Werkzeuges finden Sie unter www.skil.com)

STÖRUNGSBESEITIGUNG

- Die folgende Liste enthält Symptome für Probleme, mögliche Ursachen und Lösungsmaßnahmen (wenn das Problem darin nicht beschrieben wird oder so nicht behoben werden kann, wenden Sie sich bitte an Ihren Händler oder Ihren Kundendienst)
 - ! **vor der Untersuchung des Problems das Werkzeug ausschalten und den Stecker aus der Steckdose ziehen**
- ★ Der Sprühstrahl ist nicht gleichmäßig
 - Düse teilweise blockiert -> Düse reinigen
- ★ Motor springt nicht an oder geht plötzlich aus
 - Netzsteckdose defekt -> andere Steckdose verwenden
 - Stecker nicht eingesteckt -> Stecker einstecken
 - der Hitzeschutz hat den Motor ausgeschaltet -> das Werkzeug 5 Minuten abkühlen lassen
- ★ Der Motor läuft, aber der Sprühstrahl ist dünn
 - Düse vollständig blockiert -> Düse reinigen
 - Wasserfilter ist verstopft -> Wasserfilter reinigen
 - Luft in der Pumpe -> sicherstellen, dass der Wassereinflussanschluss richtig befestigt ist
 - unzureichende Wasserversorgung -> prüfen, ob der Wasserhahn vollständig aufgedreht ist

UMWELT

- **Elektrowerkzeuge, Zubehör und Verpackungen nicht in den Hausmüll werfen** (nur für EU-Länder)
 - gemäss Europäischer Richtlinie 2012/19/EG über Elektro- und Elektronik- Altgeräte und Umsetzung in nationales Recht müssen nicht mehr gebrauchsfähige Elektrowerkzeuge getrennt gesammelt und einer umweltgerechten Wiederverwertung zugeführt werden
 - hieran soll Sie Symbol ⑫ erinnern

KONFORMITÄTSERKLÄRUNG CE

- Wir erklären in alleiniger Verantwortung, daß das unter "Technische Daten" beschriebene Produkt mit den folgenden Normen oder normativen Dokumenten übereinstimmt: EN 60335, EN 61000, EN 55014 gemäß den Bestimmungen der Richtlinien 2006/95/EG, 2004/108/EG, 2006/42/EG, 2000/14/EG, 2011/65/EU
- **Technische Unterlagen bei:** SKIL Europe BV (PT-SEU/ENG1), 4825 BD Breda, NL

Marijn van der Hoofden
Operations & Engineering

Olaf Dijkgraaf
Approval Manager

SKIL Europe BV, 4825 BD Breda, NL

26.02.2014

CE10

GERÄUSCH/VIBRATION

- Gemessen gemäß EN 60704-1 beträgt der Schalldruckpegel dieses Gerätes 81 dB(A) und der Schalleistungspegel 93 dB(A) (Standardabweichung: 3 dB), und die Vibration < 2,5 m/s² (Hand-Arm Methode; Unsicherheit K = 1,5 m/s²)
 - Gemessen gemäß 2000/14/EG liegt der garantierte Schalleistungspegel LwA unter 97 dB(A) (Bewertungsverfahren der Konformität gemäß Anhang V)
 - Die Vibrationsemissionsstufe wurde mit einem standardisierten Test gemäß EN/ISO 5349 gemessen; Sie kann verwendet werden, um ein Werkzeug mit einem anderen zu vergleichen und als vorläufige Beurteilung der Vibrationsexposition bei Verwendung des Werkzeugs für die angegebenen Anwendungszwecke
 - die Verwendung des Werkzeugs für andere Anwendungen oder mit anderem oder schlecht gewartetem Zubehör kann die Expositionsstufe erheblich **erhöhen**
 - Zeiten, zu denen das Werkzeug ausgeschaltet ist, oder wenn es läuft aber eigentlich nicht eingesetzt wird, können die Expositionsstufe erheblich **verringern**
- ! schützen Sie sich vor den Auswirkungen der Vibration durch Wartung des Werkzeugs und des Zubehörs, halten Sie Ihre Hände warm und organisieren Sie Ihren Arbeitsablauf**

NL

Hogedrukreiniger

0760

INTRODUCTIE

- Deze machine is ontworpen voor het reinigen van oppervlakken en objecten buitenshuis, voertuigen en boten
- Deze machine is uitsluitend bedoeld voor particulier gebruik en is ontworpen voor gebruik met water uit een kraan en geen andere bronnen
- Deze machine is niet bedoeld voor professioneel gebruik
- **Lees deze handleiding aandachtig en bewaar hem zodat u hem in de toekomst kunt raadplegen** ③
- **Let met name op de veiligheidsinstructies en de waarschuwingen; het niet in acht nemen hiervan kan ernstige verwondingen tot gevolg hebben**
- Controleer of de verpakking alle onderdelen bevat die worden getoond in afbeelding ②
- Als onderdelen ontbreken of beschadigd zijn, neemt u contact op met de dealer

TECHNISCHE GEGEVENS ①

Werkdruk (P)	7 MPa
Maximale werkdruk (Pmax)	10 MPa
Inlaatdruk	0 - 0,6 MPa

MACHINE-ELEMENTEN ②

- A Trekkervergrendeling
- B Trekker
- C Inlaataansluiting

- D Waterinlaat
- E Waterfilter
- F Stroomschakelaar
- G Spuitmond
- H Fles reinigingsmiddel
- J Reinigingsmiddelsproeier
- K Spuitstok
- L Spuitpistool
- M Reinigingsnaald
- N Opslagriem (**schroeven niet meegeleverd**)
- P Opslagriem (2)
- Q Hogedrukslang
- R Wateruitlaat
- S Ventilatie-openingen
- T Bevestigingspunten voor opslagriemen

VEILIGHEID

ALGEMEEN

- Gebruik de machine en haar accessoires volgens deze gebruiksaanwijzing en voor het doel waarvoor de machine bestemd is; het gebruik van de machine voor afwijkende toepassingen, waarvan men normaliter mag verwachten dat de machine deze niet kan uitvoeren, kan gevaar opleveren
- **Zuig nooit oplosmiddelhoudende vloeistoffen, onverdunde zuren of oplosmiddelen op (zoals benzine, ververdunner, stookolie);** deze vloeistoffen produceren een sproeienevel die uiterst ontvlambaar, explosief en giftig is en bovendien de onderdelen van de machine aantast
- Gebruik de machine uitsluitend bij omgevingstemperaturen tussen 0 °C en 40 °C
- **Controleer voorafgaand aan gebruik of machine en toebehoren in perfecte staat verkeren en veilig kunnen worden gebruikt**
- Houd rekening met de terugslag die kan optreden wanneer u de hogedrukreiniger start; houd het spuitpistool en de spuitstok stevig vast en zorg dat u stevig staat
- Zet de trekker nooit vast tijdens gebruik
- **Richt de waterstraal nooit op personen, dieren, elektrische apparatuur of de machine zelf** ④
- Laat de machine nooit onbeheerd terwijl de motor draait
- Gebruik de machine niet op explosiegevaarlijke locaties
- **Schakel de machine altijd uit, haal de stekker uit het stopcontact en zorg dat er geen waterdruk aanwezig is in de machine en het spuitpistool voordat u accessoires afstelt, reinigt of verwisselt**

PERSONLIJKE VEILIGHEID

- Deze machine is niet bedoeld voor gebruik door personen (waaronder begrepen kinderen) met fysieke, zintuiglijke of mentale beperkingen, of een gebrek aan ervaring en kennis, tenzij zij onder toezicht staan of instructies hebben ontvangen ten aanzien van het gebruik van deze machine door een persoon, die verantwoordelijk is voor hun veiligheid
- Zorg ervoor dat kinderen de machine niet als speelgoed gebruiken
- Draag geschikte kleding ter bescherming tegen opspattend water
- **Gebruik de machine niet in de buurt van andere personen tenzij men beschermende kleding draagt**

- Spuit geen materialen die asbest bevatten en andere materialen die stoffen bevatten die gevaarlijk zijn voor de gezondheid
- Reinig autobanden en ventielen op een minimale afstand van 30 cm om schade te voorkomen (beschadigde autobanden kunnen levensgevaarlijke ongelukken tot gevolg hebben)
- **Richt de waterstraal nooit op uzelf of op anderen om kleding of schoenen te reinigen**

WATERTOEOVOER

- **Gebruik uitsluitend de hogedrukslang en het aansluitstuk dat met de machine is meegeleverd**
- Vervang een beschadigde hogedrukslang onmiddellijk (door een slang met gelijke specificaties)
- Knik de hogedrukslang niet en rijd er niet overheen met een motorvoertuig
- Bescherm de hogedrukslang tegen scherpe randen en hoeken
- Zorg dat de schroefverbindingen van alle slangen goed afgedicht zijn
- **Het door de machine gesproeiende water is niet drinkbaar**
- Volgens de geldige voorschriften mag de machine nooit zonder systeemseider aangesloten worden op het drinkwaternet (5); gebruik een geschikte systeemseider conform EN 12729 type BA

ELEKTRISCHE VEILIGHEID

- Controleer altijd of het voltage, dat vermeld staat op het typeplaatje van de machine, overeenkomt met de netspanning (met 230V of 240V aangeduide machines kunnen ook op 220V aangesloten worden)
- Sluit uw machine aan via een aardlekschakelaar (FI) met maximaal 30 mA uitschakelstroom
- Alle stroomvoerende onderdelen in het werkgebied moeten zijn beschermd tegen opspattend water
- Houd kabelaansluitingen droog en van de grond af
- Controleer regelmatig het snoer en laat het door een erkende vakman vervangen, indien beschadigd
- Trek niet aan het (verleng)snoer, rijd er niet overheen en plet het snoer niet
- Bescherm het (verleng)snoer tegen hitte, olie en scherpe randen
- Gebruik alleen een voor gebruik buitenshuis goedgekeurd verlengsnoer met een waterdichte stekker en contactstop
- Gebruik volledig uitgerolde en veilige verlengsnoeren met een capaciteit van 16 Ampère
- Gebruik uitsluitend verlengsnoeren met een maximale lengte van 20 meter (1,5 mm²) of 50 meter (2,5 mm²)
- Controleer het verlengsnoer regelmatig en vervang dit als het beschadigd is (**het gebruik van ondeugdelijke verlengsnoeren kan gevaarlijk zijn**)
- Raak de stekker nooit met natte handen aan
- Schakel de machine altijd uit en haal de stekker uit het stopcontact wanneer het (verleng)snoer versleten, beschadigd of verward is (**raak het snoer pas aan nadat u de stekker uit het stopcontact hebt gehaald**)

GEbruIK

- Montage-instructies (6)
 - de volgorde van de cijfers in de tekening komt overeen met de volgorde van de te volgen stappen voor het monteren van de hogedrukreiniger
 - druk op trekervergrendeling A om te voorkomen dat trekker B per ongeluk wordt ingedrukt
- Aansluiting op watertoevoer (7)
 - schroef inlaataansluiting C op waterinlaat D
 - ! **gebruik inlaataansluiting C nooit zonder waterfilter E**
 - sluit de waterslang (niet meegeleverd) aan op de waterkraan en op inlaataansluiting C
 - ! **zorg dat de temperatuur van het inkomende water niet hoger is dan 40 °C** (laat het water op een hete dag stromen tot het is afgekoeld voordat u de slang aansluit op de waterkraan)
- Werken met de machine (8)
 - zorg dat de machine op een stevig oppervlak en rechtop staat
 - sluit de machine aan op het stopcontact (zorg dat stroomschakelaar F in de uit-stand staat)
 - draai de waterkraan open
 - druk trekervergrendeling A in om de trekker vrij te geven B
 - druk trekker B volledig in om eventuele opgesloten lucht uit de machine of de watertoevoerslang te verwijderen
 - laat trekker B los en druk trekervergrendeling A in
 - schakel de machine in door te drukken op knop "I" of op stroomschakelaar F
 - nadat u de machine hebt ingeschakeld, begint de motor enkele seconden te draaien totdat de maximale druk is bereikt
 - druk trekervergrendeling A in, richt sproeimond G op het oppervlak dat u wilt reinigen en trek vervolgens aan trekker B
 - schakel tussen een geconcentreerde waterstraal of een brede straal door sproeimond G te draaien
 - nadat u trekker B hebt losgelaten, stopt de motor enkele seconden met draaien wanneer de maximale druk is bereikt
 - schakel de machine uit door te drukken op knop "O" of op stroomschakelaar F
 - draai de waterkraan dicht
 - druk trekker B volledig in totdat er geen waterdruk meer in de machine aanwezig is
 - druk na gebruik op trekervergrendeling A om te voorkomen dat trekker B per ongeluk wordt ingedrukt
 - trek de stekker uit het stopcontact
 - verwijder de watertoevoerslang van de machine en van de waterkraan
- Gebruik van fles met reinigingsmiddel (9)
 - ! **zorg dat de trekker is vergrendeld en de stroomschakelaar in de uit-stand staat**
 - draai fles H los van reinigingsmiddelsproeier J en vul deze met biologisch afbreekbaar reinigingsmiddel dat geschikt is voor gebruik met hogedrukreinigers (**het gebruik van andere reinigingsmiddelen of chemicaliën kan de veiligheid van de machine in gevaar brengen**)

- ! **gebruik geen onverdunde reinigingsmiddelen**
- schroef de gevulde fles H terug op reinigingsmiddelsproeier J
- verwijder spuitstok K van spuitpistool L en monteer reinigingsmiddelsproeier J (zie afbeelding)
- druk trekvergrendeling A in, richt reinigingsmiddelsproeier J op het oppervlak dat u wilt reinigen en trek vervolgens aan trekker B
- ! **het reinigingsmiddel komt er niet onder hoge druk uit**

TOEPASSINGSADVIES

- Bij gebruik van fles met reinigingsmiddel H
 - ! **lees het etiket op de fles voor aanvullende instructies**
 - maak het object altijd eerst nat
 - breng van onder naar boven reinigingsmiddel aan op het object
 - laat het reinigingsmiddel even inwerken, maar laat het nooit opdrogen
 - spoel van boven naar beneden af
- Voor meer tips zie www.skil.com

ONDERHOUD / SERVICE

- Deze machine is niet bedoeld voor professioneel gebruik
- **Voorafgaand aan onderhoud altijd de machine uitschakelen, controleren of er geen waterdruk aanwezig is in de machine en het spuitpistool, de stekker uit het stopcontact halen en de machine loskoppelen van de watertoevoer**
- Houd machine en snoer altijd schoon (met name de ventilatie-openingen S ②)
 - gebruik geen water, oplosmiddelen of poetsmiddelen
 - reinig sproeimond G regelmatig met reinigingsnaald M ⑩ (verwijder eerst spuitstok K van spuitpistool L)
- Controleer regelmatig op versleten of beschadigde onderdelen en laat deze zo nodig repareren/vervangen
- Waterfilter reinigen
 - verwijder waterfilter E ② van inlaataansluiting C ② met behulp van een tang met lange bek
 - reinig het en plaats het terug (vervang het als het beschadigd is)
- ! **gebruik de machine nooit met een beschadigd waterfilter**
- Opslag ⑪
 - sla de machine op buiten bereik van kinderen op een locatie waar de omgevingstemperatuur niet hoger wordt dan 40 °C en niet lager dan 0 °C
 - plaats geen andere objecten boven op de machine
 - bevestig de opslagrail N stevig aan de muur met vier schroeven (**niet meegeleverd**) en zorg dat deze waterpas hangt
 - gebruik opslagrail N en opslagriemen P zoals afgebeeld
- Mocht het elektrische gereedschap ondanks zorgvuldige fabricage- en testmethoden toch defect raken, dient de reparatie te worden uitgevoerd door een erkende klantenservice voor SKIL elektrische gereedschappen
 - stuur de machine **ongedemonteerd**, samen met het aankoopbewijs, naar het verkoopadres of het dichtstbijzijnde SKIL service-station (de adressen evenals de onderdeelentekening van de machine vindt u op www.skil.com)

PROBLEEM OPLOSSEN

- Hierna volgt een lijst van problemen, mogelijke oorzaken en corrigerende handelingen (neem contact op met de dealer of het servicestation, als u het probleem niet kunt vaststellen en oplossen)
 - ! **schakel het apparaat uit en haal de stekker uit het stopcontact voordat u het probleem gaat onderzoeken**
- ★ Sproeiveel is inconsistent
 - sproeimond gedeeltelijk geblokkeerd -> reinig de sproeimond
- ★ Motor start niet of stopt plotseling
 - stopcontact defect -> gebruik ander stopcontact
 - stekker niet in stopcontact -> plaats stekker in stopcontact
 - overbeittingsbescherming heeft de motor uitgeschakeld -> laat de machine 5 minuten afkoelen
- ★ Motor draait, maar sproeiveel is zwak
 - sproeimond volledig geblokkeerd -> reinig sproeimond
 - waterfilter verstopt -> reinig waterfilter
 - lucht in de pomp -> zorg dat waterinlaataansluiting goed is bevestigd
 - onvoldoende watertoevoer -> controleer of waterkraan volledig open staat

MILIEU

- **Geef elektrisch gereedschap, accessoires en verpakkingen niet met het huisvuil mee** (alleen voor EU-landen)
 - volgens de Europese richtlijn 2012/19/EG inzake oude elektrische en elektronische apparaten en de toepassing daarvan binnen de nationale wetgeving, dient afgedankt elektrisch gereedschap gescheiden te worden ingezameld en te worden afgevoerd naar een recycle-bedrijf, dat voldoet aan de geldende milieueisen
 - symbool ⑫ zal u in het afdankstadium hieraan herinneren

CONFORMITEITSVERKLARING CE

- Wij verklaren als alleen verantwoordelijke, dat het onder "Technische gegevens" beschreven product voldoet aan de volgende normen of normatieve documenten: EN 60335, EN 61000, EN 55014 overeenkomstig de bepalingen van de richtlijnen 2006/95/EG, 2004/108/EG, 2006/42/EG, 2000/14/EG, 2011/65/EU
- **Technisch dossier bij:** SKIL Europe BV (PT-SEU/ENG1), 4825 BD Breda, NL

Marijn van der Hoofden
Operations & Engineering

Olaf Dijkgraaf
Approval Manager

SKIL Europe BV, 4825 BD Breda, NL

26.02.2014

CE10

GELUID/VIBRATIE

- Gemeten volgens EN 60704-1 bedraagt het geluidsdrukniveau van deze machine 81 dB(A) en het geluidsvermogen-niveau 93 dB(A) (standaard deviatie: 3 dB), en de vibratie < 2,5 m/s² (hand-arm methode; onzekerheid K = 1,5 m/s²)
 - Gemeten volgens 2000/14/EG is het gearandeerde geluidsvermogen-niveau lager dan 97 dB(A) (wegingsmethode van de conformiteit volgens aanhangsel V)
 - Het trillingsemisssionniveau is gemeten in overeenstemming met een gestandaardiseerde test volgens EN/ISO 5349; deze mag worden gebruikt om twee machines met elkaar te vergelijken en als voorlopige beoordeling van de blootstelling aan trilling bij gebruik van de machine voor de vermelde toepassingen.
 - gebruik van de machine voor andere toepassingen, of met andere of slecht onderhouden accessoires, kan het blootstellingsniveau aanzienlijk **verhogen**
 - wanneer de machine is uitgeschakeld of wanneer deze loopt maar geen werk verricht, kan dit het blootstellingsniveau aanzienlijk **reduceren**
- ! bescherm uzelf tegen de gevolgen van trilling door de machine en de accessoires te onderhouden, uw handen warm te houden en uw werkwijze te organiseren**

S

Högtryckstvätt

0760

INTRODUKTION

- Det här verktyget har utveckats för rengöring av områden och föremål utanför huset samt fordon och båtar
- Det här verktyget är endast avsedd för hushållsbruk och får inte användas med annat vatten än kranvatten
- Det här verktyget är inte avsedd för yrkesmässig användning
- **Läs dessa instruktioner noggrant för användning och bevara dem för framtida bruk** ③
- **Var särskilt uppmärksam på säkerhetsinstruktionerna och varningarna; om de inte följs kan det ge allvarliga skador**
- Kontrollera om förpackningen innehåller alla delar som finns på bilden ②
- Om delar saknas eller är skadade kontakter du återförsäljaren

TEKNISKA DATA ①

Arbetstryck (P)	7 MPa
Högsta arbetstryck (Pmax)	10 MPa
Inloppstryck	0 - 0,6 MPa

VERKTYGSELEMENT ②

- A Avtryckarlås
- B Avtryckare
- C Inloppsanslutning
- D Vatteninlopp
- E Vattenfilter

- F Huvudströmbrytare
- G Sprutmunstycke
- H Flaska med rengöringsmedel
- J Munstycke för rengöringsmedel
- K Spollans
- L Handpistol
- M Rengöringsnål
- N Upphängningsskena (**skruvar medföljer inte**)
- P Upphängningsrem (2)
- Q Högtrycksslång
- R Vattenutlopp
- S Ventilationsöppningar
- T Fäste för upphängningsremmar

SÄKERHET

ALLMÄNT

- Använd maskinen och dess tillbehör enligt denna bruksanvisning och på avsett sätt; om den används för andra ändamål än de avsedda kan det leda till en risksituation
- **Använd aldrig vätskor som innehåller lösningsmedel, utspädda syror eller lösningsmedel (t.ex. bensin, thinner, edningsolja)** eftersom sådana vätskor producerar mycket lättantändliga, explosiva och giftiga ångor och även kan korrodera verktygets komponenter
- Använd bara verktyget om omgivningstemperaturen är mellan 0 °C och 40 °C
- **Påbörja endast arbeten om verktyg och driftsutrustning är i perfekt skick och säkra att använda.**
- Var medveten om de krafter som trycker högtryckstvätten bakåt vid start, håll ordentligt i handpistolen och spollansen och se till att du står stadigt
- Kläm aldrig fast avtryckaren i intryckt läge vid drift
- **Rikta aldrig vattenstrålen mot andra personer, djur, strömförande elektrisk utrustning eller själva verktyget** ④
- Lämna aldrig verktyget obevakat med motorn igång
- Använd inte verktyget på potentiellt explosiva platser
- **Stång alltid av verktyget, koppla bort kontakten från uttaget och se till att det inte förekommer vattentryck i verktyget och handpistolen före justering, rengöring eller byte av tillbehör**

PERSONSÄKERHET

- Denna maskin får inte användas av barn eller personer med ett förståndshandikapp eller på annat sätt medsatt förmåga, såvida denna inte sker med överinseende av en vuxen person som ansvarar för personsäkerheten
- Barn får inte använda maskinen som leksak
- Använd lämpliga skyddskläder som skydd mot vattenstänk.
- **Använd inte verktyget när andra personer är i närheten om de inte använder skyddskläder.**
- Spruta inte material som innehåller asbest eller andra material som innehåller ämnen som är hälsofarliga
- Rengör alltid däck/däckventiler från ett minsta avstånd på 30 cm för att förhindra skador (skadade fordonsdjul kan leda till allvarliga olyckor)
- **Rikta inte vattenstrålen mot dig själv eller andra för att rengöra kläder eller skor**

VATTENTILLFÖRSEL

- **Använd bara den högtrycksslang och koppling som levereras med verktyget**
- Byt en skadad högtrycksslang omgående (med identiska specifikationer)
- Låt inte högtrycksslangen sno sig och kör inte över den med ett motorfordon
- Utsätt inte högtrycksslangen för vassa kanter eller hörn
- Se till att alla anslutna slangar har ordentligt tätade fogar
- **Var medveten om att det vatten som verktyget sprutar inte är dricksvatten**
- Enligt gällande föreskrifter får verktyget aldrig användas på dricksvattennätet utan systemavskiljare ^⑤; använd en lämplig systemavskiljare enligt EN 12729 typ BA

ELEKTRISK SÄKERHET

- Kontrollera alltid att den tillförda strömtypen stämmer med spänningen som anges på maskinens märkplåt (maskiner med beteckningen 230V eller 240V kan även anslutas till 220V)
- Anslut maskinen till en jordfelsbrytare (FI) på högst 30 mA
- Se till att alla strömförande komponenter inom arbetsområdet är skyddade mot vattenstänk
- Håll nåtsladdsanslutningar torra och på avstånd från marken
- Inspektera sladden med jämna mellanrum och låt den byta ut av en kvalificerad person den är skadad
- Kör inte över, kläm inte och dra inte i (förlängnings) sladden
- Skydda (förlängnings)sladden mot värme, olja och vassa kanter
- Använd bara en förlängningssladd som är avsedd för användning utomhus och som är försedd med en vattentät kontakt
- Använd helt utrullade och säkra förlängningssladdar med kapacitet på 16 A
- Använd bara förlängningssladdar som är högst 20 meter långa (1,5 mm²) eller 50 meter (2,5 mm²)
- Kontrollera förlängningssladden regelbundet och byt den om den är skadad (**bristfälliga förlängningssladdar kan vara farliga**)
- Vidrör aldrig strömkontakten med våta händer
- Stäng alltid av verktyget och koppla bort kontakten från strömkällan om nåtsladden eller förlängningssladden har skårar, skador eller har trasslat sig (**vidrör inte sladden innan kontakten har kopplats bort**)

ANVÄNDNING

- Monteringsanvisningar ^⑥
 - siffrorna i figuren följer samma ordning som stegen som ska utföras för att montera högtryckstvätten
 - tryck på avtryckarlåset som säkerhetsåtgärd A för att undvika att avtryckaren B aktiveras av misstag
- Anslutning till vattentillförsel ^⑦
 - skruva fast inloppsanslutningen C i vatteninloppet D
- ! **använd aldrig inloppsanslutningen C utan vattenfilter E**
- anslut vattenslangen (medföljer inte) till vattenkranen och inloppsanslutningen C
- ! **se till att det inkommande vattnets temperatur inte överstiger 40 °C** (under en varm dag låter du vattnet rinna tills det har kylts ned innan du ansluter slangen till en vattenkran)

- Användning av maskinen ^⑧
 - se till att verktyget placeras på en massiv bas och i vertikalt läge
 - anslut verktyget till elnätet (se till att strömbrytaren F är fränkopplad)
 - öppna vattenkranen
 - tryck på avtryckarlåset A för att frigöra avtryckaren B
 - tryck in avtryckaren helt och hållet B för att släppa ut eventuell instängd luft i verktyget eller vattenslangen
 - släpp avtryckaren B och tryck på avtryckarlåset A
 - starta verktyget genom att trycka på knappen "I" på strömbrytaren F
 - efter start körs motorn under några sekunder tills högsta tryck har uppnåtts
 - tryck på avtryckarlåset A, rikta sprutmunstycket G mot området som ska tvättas och tryck sedan på avtryckaren B
 - växla mellan en koncentrerad vattenstråle och bred sprutning genom att vrida på munstycket G
 - när du släpper avtryckaren B stoppar motorn efter några sekunder när högsta tryck har uppnåtts
 - stäng av verktyget genom att trycka på knappen "O" på strömbrytaren F
 - stäng vattenkranen
 - tryck på avtryckaren hela vägen B tills det inte förekommer vattentryck i verktyget
 - efter användning trycker du på avtryckarlåset A för att undvika att avtryckaren B aktiveras av misstag
 - koppla bort kontakten från strömkällan
 - koppla bort vattenslangen från verktyget och vattenkranen
- Använda flaskan med rengöringsmedel ^⑨
 - ! **se till att avtryckaren är låst och att strömbrytaren är fränkopplad**
 - skruva loss flaskan H från munstycket för rengöringsmedel J och fyll den med biologiskt nedbrytbart rengöringsmedel som lämpar sig för tillämpningar med högtryckstvättar (**användning av andra rengöringsmedel eller kemikalier kan påverka verktygets säkerhet negativt**)
 - ! **använd inte utspädda rengöringsmedel**
 - skruva fast den fyllda flaskan H på munstycket för rengöringsmedel J
 - ta bort spillansen K från handpistolen L och montera in stället munstycket för rengöringsmedel J enligt bilden
 - tryck på avtryckarlåset A, rikta munstycket för rengöringsmedel J mot området som ska tvättas och tryck sedan på avtryckaren B
 - ! **rengöringsmedlet flödar inte ut om trycket är högt**

ANVÄNDNINGSTIPS

- Vid användning av flaskan för rengöringsmedel H
 - ! **läser du rengöringsmedlets etikett för att få fler anvisningar**
 - vät alltid föremålet först
 - tillför rengöringsmedel på föremålet nedifrån och uppåt
 - ge rengöringsmedlet tid att verka men låt det aldrig torka
 - skölj genom att börja längst upp och arbeta nedåt
- För fler tips se www.skil.com

UNDERHÅLL / SERVICE

- Det här verktyget är inte avsedd för yrkesmässig användning
- **Före underhållsarbeten stänger du alltid av verktyget, ser till att inget vattentryck förekommer i verktyget och handpistolen, kopplar bort kontakten från uttaget och kopplar bort verktyget från vattentillförseln**
- Håll alltid din maskin och sladden ren (speciellt ventilationsöppningarna S (2))
 - använd inte vatten, lösningsmedel eller polermedel
 - rengör sprutmunstycket regelbundet G med rengöringsnålen M (10) (ta först bort spillanssen K från handpistolenL)
- Kontrollera regelbundet om det förekommer slitna eller skadade komponenter och reparera/byt dem vid behov
- Rengöra vattenfiltret
 - ta bort vattenfiltret E (2) från inloppsanslutningen C (2) med en plattång
 - spola rent det och sätt tillbaka det (byt den om det är skadat)
- ! **använd aldrig verktyget med ett skadat vattenfilter**
- Förvaring (11)
 - förvara verktyget utom räckhåll för barn på en plats där omgivningstemperaturen inte överstiger 40 °C eller faller under 0 °C
 - placera inte andra föremål ovanpå verktyget
 - montera upphängningsskenan på ett säkert sätt N på väggen med 4 skruvar (**medföljer inte**) med horisontell inriktning
 - använd upphängningsskenan N och upphängningsremmarna P enligt bilden
- Om i elverktyget trots exakt tillverkning och sträng kontroll störning skulle uppstå, bör reparation utföras av auktoriserad serviceverkstad för SKIL elverktyg
 - sänd in verktyget i **odemonterat skick** tillsammans med inköpsbevis till försäljaren eller till närmaste SKIL serviceverkstad (adresser till servicestationer och sprängskisser av maskiner finns på www.skil.com)

FELSÖKNING

- På följande lista anges problemsymptom, tänkbara orsaker och avhjäljande åtgärder (om de inte identifierar och rättar till problemet kontaktar du en återförsäljare eller serviceverkstad)
 - ! **stäng av verktyget och dra ur kontakten innan problemet undersöks**
- ★ Ojämn sprutning
 - munstycket är delvis igensatt -> rengör munstycket
- ★ Motorn startar inte eller stoppar plötsligt
 - fel i eluttaget -> använd ett annat uttag
 - kontakten är inte ansluten -> sätt i kontakten
 - överhettningsskyddet stängde av motorn -> låt verktyget svalna under 5 minuter
- ★ Motorn körs men sprutningen är dålig
 - munstycket är helt igensatt -> rengör munstycket
 - igensatt vattenfilter -> rengör vattenfiltret
 - luft i pumpen -> se till att vatteninloppskopplingen sitter ordentligt fast
 - otillräcklig vattentillförsel -> kontrollera att vattenkranen är helt öppen

MILJÖ

- **Elektriska verktyg, tillbehör och förpackning får inte kastas i hushållsoporna** (gäller endast EU-länder)
 - enligt direktivet 2012/19/EG som avser äldre elektrisk och elektronisk utrustning och dess tillämpning enligt nationell lagstiftning ska uttjänta elektriska verktyg sorteras separat och lämnas till miljövänlig återvinning
 - symbolen (12) kommer att påminna om detta när det är tid att kassera

FÖRSÄKRAN OM ÖVERENSSTÄMMELSE CE

- Vi försäkrar härmed under exklusivt ansvar att denna produkt som beskrivs i "Tekniska data" överensstämmer med följande normer eller normativa dokument: EN 60335, EN 61000, EN 55014 enligt bestämmelserna i direktiven 2006/95/EG, 2004/108/EG, 2006/42/EG, 2000/14/EG, 2011/65/EU
- **Teknisk tillverkningsdokumentation finns hos:** SKIL Europe BV (PT-SEU/ENG1), 4825 BD Breda, NL

Marijn van der Hoofden
Operations & Engineering

Olaf Dijkgraaf
Approval Manager

SKIL Europe BV, 4825 BD Breda, NL

26.02.2014

CE10

LJUD/VIBRATION

- Ljudtrycksnivån som uppmätts enligt EN 60704-1 är på denna maskin 81 dB(A) och ljudeffektnivån 93 dB(A) (standard deviation: 3 dB), och vibration < 2,5 m/s² (hand-arm metod; onoggrannhet K = 1,5 m/s²)
- Mätt enligt 2000/14/EG är den garanterade ljudeffektnivån (LWA) lägre än 97 dB (A) (bedömningsmetod för överensstämmelse enligt bilaga V)
- Vibrationsemissionsvärdet har uppmätts enligt ett standardiserat test i enlighet med EN/ISO 5349; detta värde kan användas för att jämföra vibrationen hos olika verktyg och som en ungefärlig uppskattning av hur stor vibration användaren utsätts för när verktyget används enligt det avsedda syftet
 - om verktyget används på ett annat än det avsedda syftet eller med fel eller dåligt underhållna tillbehör kan detta drastiskt **öka** vibrationsnivån
 - när verktyget stängs av eller är på men inte används, kan detta avsevärt **minska** vibrationsnivån
- ! **skydda dig mot vibration genom att underhålla verktyget och dess tillbehör, hålla händerna varma och styra upp ditt arbetssätt**

INLEDNING

- Dette værktøj er beregnet til rengøring af udendørs områder, genstande, køretøjer og både
- Dette værktøj er tiltænkt udelukkende privat brug og er ikke beregnet til at blive anvendt med andre vandkilder end vandhaner
- Dette værktøj er ikke beregnet til professionelt brug
- **Læs denne brugsanvisning omhyggeligt igennem, inden støvsugeren bruges, og gem brugsanvisningen til senere brug** ③
- **Vær særlig opmærksom på sikkerhedsinstruktionerne og advarslerne; gøres dette ikke, kan det medføre alvorlige skader**
- Kontroller, om pakken indeholder alle dele som vist på illustrationen ②
- Kontakt venligst din forhandler, hvis dele mangler eller er beskadiget

TEKNISKE DATA ①

Arbejdstryk (P)	7 MPa
Maksimalt arbejdstryk (Pmax)	10 MPa
Indløbsstryk	0 - 0,6 MPa

VÆRKTØJETS DELE ②

- A Aftrækkerlås
- B Aftrækker
- C Indløbsstik
- D Vandindløb
- E Vandfilter
- F Strømkontakt
- G Sprøjtedyse
- H Flaske til rengøringsmiddel
- J Dyse til rengøringsmiddel
- K Sprøjtelanse
- L Håndpistol
- M Rengøringsnål
- N Opbevaringsskinne (**skruerne følger ikke med**)
- P Opbevaringsrem (2)
- Q Højtryksslange
- R Vandudløb
- S Ventilationshuller
- T Montering af opbevaringsremme

SIKKERHED

GENERELT

- Anvend værktøjet og dets tilbehør i henhold til denne brugsanvisning og på den måde, som er beregnet for værktøjet; hvis værktøjet bruges til andre opgaver end dem, som værktøjet normalt er beregnet til at udføre, kan det medføre en farlig situation
- **Anvend aldrig væsker med opløsningsmidler, uforyndede syrer eller opløsningsmidler (f.eks. benzin, fortyndere, opvarmningsolie); disse væsker danner ved sprøjtning en damp, der er meget brandfarlig, eksplosiv og giftig, og væskerne ætser også værktøjets komponenter**

- Værktøjet må kun anvendes, hvis den omgivende temperatur er mellem 0° C og 40° C
- **Start først med at arbejde, når værktøjet og udstyret er i perfekt stand og sikker at bruge**
- Vær opmærksom på eventuel rekyl, når højtryksrenseren startes; hold fast om håndpistolen og sprøjtelanse og sørg for at stå sikkert
- Fastgør aldrig aftrækkeren under drift
- **Vandstrålen må aldrig rettes mod andre folk, dyr, strømførende elektrisk udstyr eller selve værktøjet**

④

- Værktøjet må aldrig efterlades uden opsyn, når motoren er tændt
- Anvend ikke værktøjet på potentielt eksplosive steder
- **Før justering, rengøring eller udskiftning af tilbehør skal du slukke for værktøjet, tage stikket ud af stikkontakten og sørge for, at der ikke er vandtryk i værktøjet og håndpistolen**

PERSONLIG SIKKERHED

- Dette værktøj er ikke beregnet til brug for personer (herunder børn), der har nedsatte fysiske, sensoriske eller mentale evner eller mangel på erfaring og viden, med mindre disse personer er blevet givet instruktion og supervision i brugen af værktøjet fra en person, som er ansvarlig for deres sikkerhed
- Børn må ikke lege med dette værktøj
- Anvend passende beskyttelsestøj som beskyttelse mod sprøjtende vand
- **Anvend ikke værktøjet, når der er andre personer i nærheden, med mindre de anvender beskyttelsestøj**
- Sprøjt ikke på materialer, der indeholder asbest eller andre materialer med sundhedsskadelige substanser
- Dæk og dækventiler skal renses med en minimumsafstand på 30 cm for at undgå at beskadige dem (ødelagte dæk på køretøjer kan føre til fatale ulykker)
- **Du må ikke rette vandstrålen mod dig selv eller andre for at rense tøj eller fodtøj**

VANDFORSYNING

- **Brug kun den højtryksslange og kobling, der følger med værktøjet**
- En ødelagt højtryksslange skal udskiftes omgående (med én med identiske specifikationer)
- Højtryksslangen må ikke knækkes, og du må ikke køre et køretøj over den
- Højtryksslangen må ikke komme i kontakt med skarpe kanter eller hjørner
- Sørg for, at alle tilsluttede slanger har korrekt forseglede forbindelsesled
- **Vær opmærksom på, at det sprøjtede vand fra værktøjet ikke må drikkes**
- Ifølge de gældende love, må værktøjet aldrig anvendes på drikkevandsnettet uden en systemseparator ⑤; anvend en velegnet systemseparator ifølge EN 12729 type BA

ELEKTRISK SIKKERHED

- Kontrollér altid at forsyningsspændingen er den samme som den spænding, der er anført på værktøjets navneskilt (værktøj med betegnelsen 230V eller 240V kan også tilsluttes til 220V)
- Tilslut værktøjet via en fejlstrømsafbryder (FI) med en triggestrøm på 30 mA maksimum

- Sørg for, at alle strømførende komponenter i arbejdsområdet er beskyttet mod stænk fra vand
- Ledningsstik skal holdes tørre og må ikke ligge på jorden
- Undersøg ledningen med mellemrum og få det skiftet ud af en anerkendt fagmand, hvis den er beskadiget
- Gå ikke hen over ledningen, og lad være med at mase eller trække i (forlænger) ledningen
- Hold (forlænger) ledningen væk fra varme, olie og skarpe kanter
- Anvend kun en forlængerledning, der er egnet til udendørs brug og udstyret med et vandtæt stik og koblingsstikkontakt
- Anvend helt udrullede og sikre forlængerledninger med en kapacitet på 16 A
- Anvend kun forlængerledninger med en maksimal længde på 20 meter (1,5 mm²) eller 50 meter (2,5 mm²)
- Kontrollér forlængerledningen med jævne mellemrum, og udskift den, hvis den er ødelagt (**defekte forlængerledninger kan være farlige**)
- Strømstikket må aldrig berøres med våde hænder
- Sluk altid for værktøjet og tag stikket ud af strømkilden, hvis der bliver skåret i strømledningen eller forlængerledningen eller hvis den bliver beskadiget eller viklet ind i noget (**rør ikke ved ledningen, før du har taget stikket ud**)

BETJENING

- Samlingsvejledning ⑥
 - rækkefølgen af de numre, der er angivet på tegningen, svarer til den rækkefølge, hvori højtryksrensere skal samles
 - som sikkerhedsforanstaltning skal du bruge aftrækkerlåsen A, så du undgår, at aftrækkeren B aktiveres ved et uheld
- Tilslutning til vandforsyning ⑦
 - skru indløbsstikket C ind i vandindløbet D
 - ! **indløbsstikket må aldrig bruges C uden vandfilter E**
 - fastgør vandforsyningsslangen (medfølger ikke) til en vandhane og indløbsstikket C
 - ! **sørg for, at temperaturen for indløbende vand ikke overskrider 40° C** (på varme dage skal vandet løbe, indtil det er afkølet, før tilslutning til vandhanen)
- Betjening af værktøjet ⑧
 - sørg for, at værktøjet er solidt placeret i lodret position
 - sæt værktøjet til strømstikket (kontroller, at strømkontakten F er i slukket position)
 - åbn for vandhanen
 - tryk på aftrækkerlåsen A for at aktivere aftrækkeren B
 - tryk aftrækkeren helt ind B for at lukke eventuel luft ud af værktøjet eller vandforsyningsslangen
 - slip aftrækkeren B og tryk på aftrækkerlåsen A
 - tænd værktøjet ved at trykke på knappen "I" på strømkontakten F
 - efter tænding kører motoren i nogle få sekunder, før der er etableret maksimalt tryk
 - tryk på aftrækkerlåsen A, ret sprøjtedyksen G mod det område, der skal vaskes, og tryk på aftrækkeren B
 - skift mellem koncentreret vandstråle og en bred stråle ved at dreje på dysen G
 - når du slipper aftrækkeren, B kører motoren et par sekunder, før der er etableret maksimalt tryk

- sluk værktøjet ved at trykke på knappen "O" på strømkontakten F
- luk for vandhanen
- tryk aftrækkeren helt ind, B indtil der ikke er mere vandtryk i værktøjet
- efter brug skal du trykke på aftrækkerlåsen A, så du undgår, at aftrækkeren B aktiveres ved et uheld
- tag stikket ud af strømkilden
- afmonter vandforsyningsslangen fra værktøjet og vandhanen
- Brug af flasken til rengøringsmiddel ⑨
 - ! **kontroller, at aftrækkeren er låst og at strømkontakten er slukket**
 - skru flasken H af dysen til rengøringsmiddel J og fyld den med biologisk nedbrydeligt rengøringsmiddel, der er egnet til anvendelse med en højtryksrensere (**andre rengøringsmidler eller kemikalier kan skade værktøjet**)
 - ! **brug ikke ufortyndede rengøringsmidler**
 - skru den fyldte flaske H fast på dysen til rengøringsmiddel J
 - fjern lansen K fra håndpistolen L og monter i stedet dysen til rengøringsmiddel J som vist på illustrationen
 - tryk på aftrækkerlåsen A, ret dysen til rengøringsmiddel J mod det område, der skal vaskes, og tryk på aftrækkeren B
 - ! **rengøringsmidlet bliver ikke sprøjet ud med højtryk**

GODE RÅD

- Ved brug af flasken til rengøringsmiddel H
 - ! **læs rengøringsmiddelmærkatet for yderligere oplysninger**
 - gør altid emnet vådt først
 - kom rengøringsmiddel på emnet fra bunden og op
 - lad rengøringsmidlet sidde lidt tid, men lad det ikke tørre ud
 - skyl af fra toppen og ned
- For flere tips se www.skil.com

VEDLIGEHOLDELSE/SERVICE

- Dette værktøj er ikke beregnet til professionelt brug
- **Før vedligeholdelse skal du altid slukke for værktøjet, sørg for, at der ikke er vandtryk i værktøjet og håndpistolen, tage stikket ud af stikkontakten og afbryde værktøjets forbindelse til vandforsyningen**
- Hold værktøjet og ledningen ren (især ventilationshullerne S ②)
 - anvend ikke vand, opløsningsmidler eller pudsemidler
 - rengør regelmæssigt sprøjtedyksen G ved hjælp af rengøringsnålen M ⑩ (fjern først sprøjtelansen K fra håndpistolen L)
- Kontrollér regelmæssigt for slidte eller ødelagte komponenter, og få dem repareret/udskiftet ved behov
- Rengøring af vandfilter
 - fjern vandfilteret E ② fra indløbsstikket C ② ved hjælp af en tang med langt næb
 - skyl det rent og sæt det tilbage (udskift det, hvis det er beskadiget)
 - ! **brug aldrig værktøjet, hvis vandfilteret er defekt**

- Opbevaring ¹¹
 - værktøjet skal opbevares uden for børns rækkevidde og et sted, hvor temperaturen er mellem 0° og 40° C
 - lad være med at anbringe andre genstande oven på værktøjet
 - monter omhyggeligt opbevaringsskinnen N på væggen med 4 skruer (**følger ikke med**), og justér den vandret
 - anvend opbevaringsskinnen N og opbevaringsremmene P som vist
- Skulle el værktøjet trods omhyggelig fabrikation og kontrol holde op med at fungere, skal reparationen udføres af et autoriseret serviceværksted for SKIL-elektroværktøj
 - send den **uskilte** værktøjet sammen med et købsbevis til forhandleren eller nærmeste SKIL serviceværksted (adresser og reservedelstegning af værktøjet findes på www.skil.com)

FEJLFINDING

- Den følgende liste viser problemsymptomer, mulige grunde samt afhjælpningsaktiviteter (hvis du ikke kan finde årsagen og rette problemet, bedes du kontakte forhandleren eller serviceværkstedet)
 - ! **sluk for værktøjet, og tag stikket ud, før du begynder at lade efter problemet**
- ★ Sprøjtingen er ikke ensartet
 - dysen er delvist blokeret -> rens dysen
- ★ Motoren starter ikke eller stopper pludseligt
 - fejl i strømforsyningsstikket -> brug et andet stik
 - stik ikke sat i -> sæt stikket i
 - enheden til temperaturbeskyttelse slukkede for motoren -> lad værktøjet afkøle i 5 minutter
- ★ Motoren kører, men sprøjteevnen er dårlig
 - dysen er fulstændigt blokeret -> rens dysen
 - vandfilteret er stoppet -> rens vandfilteret
 - der er luft i pumpen -> kontroller, om vandindløbsstikket er korrekt sat på
 - utilstrækkelig vandforsyning -> kontroller, om der er helt åbnet for vandhanen

MILJØ

- **Elværktøj, tilbehør og emballage må ikke bortkaffes som almindeligt affald** (kun for EU-lande)
 - i henhold til det europæiske direktiv 2012/19/EF om bortkaffelse af elektriske og elektroniske produkter og gældende national lovgivning, skal brugt elværktøj indsamles separat og bortkaffes på en måde, der skåner miljøet mest muligt
 - symbolet ¹² erindrer dig om dette, når udskiftning er nødvendig

OVERENSSTEMMELSESEKTLÆRING CE

- Vi erklærer under almindeligt ansvar, at det produkt, der er beskrevet under "Tekniske data", er i overensstemmelse med følgende standarder eller normative dokumenter: EN 60335, EN 61000, EN 55014 i henhold til bestemmelserne i direktiverne 2006/95/EF, 2004/108/EF, 2006/42/EF, 2000/14/EF, 2011/65/EU

- **Teknisk dossier hos:** SKIL Europe BV (PT-SEU/ENG1), 4825 BD Breda, NL

Marijn van der Hoofden Olaf Dijkgraaf
Operations & Engineering Approval Manager




SKIL Europe BV, 4825 BD Breda, NL

26.02.2014

CE10

STØJ/VIBRATION

- Måles efter EN 60704-1 er lydtrykniveau af dette værktøj 81dB(A) og lydeffektniveau 93 dB(A) (standard deviation: 3 dB), og vibrationsniveauet < 2,5 m/s² (hånd-arm metoden; usikkerhed K = 1,5 m/s²)
- Måles efter 2000/14/EF er det garanterede ydeeffektniveau LWA mindre end 97 dB(A) (procedurerer for overensstemmelsesvurdering iht. bilag V)
- Det vibrationsniveau er målt i henhold til den standardiserede test som anført i EN/ISO 5349; den kan benyttes til at sammenligne to stykker værktøj og som en foreløbig bedømmelse af udsættelsen for vibrationer, når værktøjet anvendes til de nævnte formål
 - anvendes værktøjet til andre formål eller med andet eller dårligt vedligeholdt tilbehør, kan dette **øge** udsættelsesniveauet betydeligt
 - de tidsrum, hvor værktøjet er slukket, eller hvor det kører uden reelt at udføre noget arbejde, kan **reducere** udsættelsesniveauet betydeligt
- ! **beskyt dig selv imod virkningerne af vibrationer ved at vedligeholde værktøjet og dets tilbehør, ved at holde dine hænder varme og ved at organisere dine arbejdsmønstre**

N

Høyttrykksvaskemaskin

0760

INTRODUKSJON

- Dette verktøyet er utviklet for rengjøring av områder og gjenstander utenfor huset, kjøretøy og båter
- Dette verktøyet er beregnet kun til privat bruk, og er ikke tiltenkt å brukes med vann fra andre kilder enn en vannkran
- Dette verktøyet er ikke beregnet på profesjonell bruk
- **Les denne instruksjonen nøye før bruk, og ta vare på den for fremtidig bruk ³**
- **Gjør deg spesielt godt kjent med sikkerhetsveiledningene og advarslene; hvis du unnlater å følge dem, kan du risikere alvorlige skader**
- Se etter at emballasjen inneholder alle deler, som vist på tegningen ²
- Ta kontakt med forhandleren når deler mangler eller er skadet

TEKNISKE DATA ①

Arbeidstrykk (P)	7 MPa
Maks. arbeidstrykk (Pmax)	10 MPa
Innløpsstrykk	0 - 0,6 MPa

VERKTØYELEMENTER ②

- A Triggerlås
- B Trigger
- C Innløpskobling
- D Vanninnløp
- E Vannfilter
- F Nettbryter
- G Spraydyse
- H Flaske med rengjøringsmiddel
- J Dyse med rengjøringsmiddel
- K Spraylansett
- L Håndpistol
- M Rensenål
- N Oppbevaringsskinne (**skruer følger ikke med**)
- P Oppbevaringsstropp (2)
- Q Høytrykkslange
- R Vannutløp
- S Ventilasjonsåpninger
- T Kobling for oppbevaringsstroppe

SIKKERHET

GENERELL

- Verktøyet og tilbehøret skal brukes i henhold til veiledningen og bruksområdet som verktøyet og tilbehøret er beregnet på; hvis verktøyet brukes til formål det ikke er beregnet på, kan det oppstå farer
- **Trekk aldri inn væske som inneholder løsningsmiddel, uførtynnede syrer eller løsningsmidler (f.eks. bensin, malingstynnere, varmeolje).** Disse væskene produserer en svært brannfarlig, eksplosiv og giftig damp, og etser også verktøykomponentene.
- Bruk verktøyet bare når omgivelsestemperaturen er mellom 0 °C og 40 °C
- **Begynn å jobbe bare når verktøyet og driftsutstyret er i perfekt stand og trygge å bruke**
- Vær oppmerksom på tilbakeslaget som skjer når du starter høytrykksvaskeren. Hold håndpistolen og spray lansetten og stå støtt.
- Klem aldri avtrekkeren på plass ved bruk
- **Rett aldri vannstrålen mot andre mennesker, dyr, strømførende elektrisk utstyr eller selve verktøyet** ④
- La aldri verktøyet stå uten tilsyn når motoren er i gang
- Ikke bruk verktøyet i postensielt eksplosive miljøer
- **Slå alltid av verktøyet, trekk ut støpselet fra strømkilden, og pass på at det ikke er vanntrykk i verktøyet og håndpistolen før justering, rengjøring eller bytte av tilbehøret**

PERSONSIKKERHET

- Dette verktøyet må ikke brukes av barn eller personer med fysiske eller sansemessige handicap, eller som er mentalt tilbakestående, eller mangler erfaring og kunnskaper, med mindre de er under tilsyn og får

opplæring i bruk av verktøyet av en person som er ansvarlig for sikkerheten deres

- Sørg for at barn ikke får anledning til å leke med verktøyet
- Bruk egnede verneklær for å beskytte mot sprutende vann
- **Ikke bruk verktøyet når andre befinner seg i nærheten, med mindre de bruker verneklær**
- Ikke spray materialer som inneholder asbest og andre materialer som inneholder stoffer som er helsefarlige.
- Rens dekk/dekkventiler bare fra minimumsavstand på 30 cm for å forhindre at de skades (skadde dekk kan føre til livsfarlige ulykker)
- **Ikke rett vannstrålen mot deg selv eller andre for å rense klær eller fotøy**

VANNFORSYNING

- **Bruk bare høytrykkslangen og koblingen som følger med verktøyet**
- Bytt ut en skadd høytrykkslange med en gang (med identiske spesifikasjoner)
- Ikke bøy høytrykkslangen eller kjør over den med kjøretøy
- Ikke utsett høytrykkslangen for skarpe kanter eller hjørner
- Pass på at alle koblingsslanger har riktig forseglede skjøter
- **Vær oppmerksom på at vann som sprayes av dette verktøy ikke kan drikkes**
- I henhold til gjeldende forskrifter skal verktøyet aldri kobles til drikkevannsnettet uten systemskiller ⑤; bruk en egnet systemskiller iht. EN 12729 type BA

ELEKTRISK SIKKERHET

- Sjekk alltid at tilført spenningen er den samme som oppgitt på verktøyet merkeplate (verktøy som er betegnet med 230V eller 240V kan også koples til et 220V strømuttak)
- Verktøyet skal koples til via en feilstrømbryter som kopleter ut på 30 mA maksimum
- Pass på at alle strømførende komponenter på arbeidsstedet er beskyttet mot vann som spruter
- Hold ledningsforbindelser tørre og oppe fra bakken
- Sjekk ledningen regelmessig, og få den skiftet ut af en anerkendt fagmand hvis skadd
- Ikke kjør over, knuse eller trekke i (skjøte-)ledningen
- Beskytt (skjøte-)ledningen mot varme, olje og skarpe kanter
- Bruk bare skjøteledninger som er beregnet for bruk utendørs og som er utstyrt med vannrett stikk-kontakt
- Bruk helt utrullet og sikker skjøteledning med en kapasitet på 16 A
- Bruk bare skjøteledning med maks. lengde på 20 meter (1,5 mm²) eller 50 meter (2,5 mm²)
- Inspiser skjøteledningen med jevne mellomrom og skift den hvis den er skadet (**det kan være farlig å bruke uegnede skjøteledninger**)
- Berør aldri støpselet med våte hender
- Slå alltid av verktøyet og trekk ut støpselet fra strømkilden hvis strømledningen eller skjøteledningen kuttet over, skades eller sammenfiltres (**ikke rør ledningen før du trekker du støpselet**)

BRUK

- Monteringsanvisninger ⑥
 - rekkefølgen til numrene som vises i tegningen, angir rekkefølgen du må følge når du skal montere høytrykksvaskeren
 - som sikkerhetsregel, trykk på triggerlåsen A for å unngå at avtrekkeren B akiveres utilsikket
- Kabling til vanntilførselen ⑦
 - ! bruk aldri innløpskoblingen C uten vannfilteret E
 - fest vannslangen (følger ikke med) til vannkran og innløpskobling C
 - ! pass på at temperaturen på det innkommende vannet ikke overstiger 40 °C (når det er varmt ute, la vannet renne til det avkjøles, før det kobles til kranen)
- Bruk av verktøyet ⑧
 - pass på at verktøyet står på et solid underlag og i vertikal posisjon
 - koble verktøyet til netttilførselen (pass på at nettbryteren F står i av-posisjon)
 - åpne vannkranen
 - trykk på triggerlåsen A for å utløse avtrekkeren B
 - trykk utløsen helt B for å slippe ut luft fra verktøyet eller vannslangen
 - slipp avtrekkeren B og trykk på avtrekkerlåsen A
 - slå på verktøyet ved å trykke på "I" på nettbryteren F når du har slått den på, begynner motoren å gå i noen sekunder inntil maks. trykk er oppnådd
 - trykk på avtrekkerlåsen A, rett spraydysen G mot området som skal vaskes og trekk deretter på avtrekkeren B
 - veksle mellom en konsentrert vannstråle og bred stråle ved å dreie på dysen G
 - når du slipper avtrekkeren, B stopper motoren i noen sekunder når maks. trykk er oppnådd
 - slå av verktøyet ved å trykke på "O" på nettbryteren F
 - steng vannkranen
 - klem avtrekkeren helt inn B til det ikke er vanntrykk igjen i verktøyet
 - etter bruk, klem på avtrekkerlåsen A for å unngå at avtrekkeren B akiveres utilsikket
 - ta ut støpselet fra strømkilden
 - koble vannslangen fra verktøyet og vannkranen
- Bruk av flaske med rengjøringsmiddel ⑨
 - ! pass på at avtrekkeren er låst og strømbryteren står i av-posisjon
 - skru flasken av H dysen med rengjøringsmiddel J og fyll den med biologisk nedbrytbar rengjøringsmiddel som er egnet for høytrykksvask (**bruken av andre rengjøringsmidler eller kjemikalier kan påvirke sikkerheten til verktøyet**)
 - ! ikke bruk ufortynnede rengjøringsmidler
 - skru den fylte flasken H på dysen med rengjøringsmiddel J
 - fjern lansette K fra håndpistolen L og monter dysen med rengjøringsmiddel J i stedet, som illustrert
 - trykk på avtrekkerlåsen A, rett spraydysen med rengjøringsmiddel J mot området som skal vaskes og trekk deretter på avtrekkeren B
 - ! det kommer ikke rengjøringsmiddel ut under trykk

BRUKER TIPS

- Når du bruker flasken med rengjøringsmiddel H
 - ! les etiketten på rengjøringsmiddelet for ytterligere instruksjoner
 - fukt alltid gjenstanden først
 - påfør rengjøringsmiddel til gjenstanden nedenfra
 - beregn litt tid for at rengjøringsmiddelet skal virke, men la det aldri stå å tørke
 - skyll ovenfra og jobb deg nedover
- Se flere tips på www.skil.com

VEDLIKEHOLD / SERVICE

- Dette verktøyet er ikke beregnet på profesjonell bruk
- Før vedlikehold, slå alltid av verktøyet, pass på at det ikke er vanntrykk i verktøyet og håndpistolen, trekk ut støpselet fra strømkilden, og koble verktøyet fra vannforsyningen.
- Hold alltid verktøyet og kabelen ren (spesielt ventilasjonshullene S ②)
 - ikke bruk vann, løsningsmidler eller poleringsmidler
 - rengjør spraydysen regelmessig G med rengjøringsnål M ⑩ (ta spraylansetten K først av håndpistolen L)
- Kontroller regelmessig for slitte eller skadde komponenter og få dem reparert/skiftet ved behov
- Rensevannfilter
 - fjern vannfilteret E ② fra innløpskoblingen C ② med nebbtang
 - skyll ren og sett på plass igjen (bytt når den er skadet)
 - ! bruk aldri verktøyet med skadet vannfilter
- Oppbevaring ⑪
 - oppbevar verktøyet utilgjengelig for barn, der omgivelsestemperaturen ikke blir høyere enn 40 °C eller lavere enn 0 °C
 - ikke sett andre gjenstander opp på verktøyet
 - fest oppbevaringsskinne godt N til veggen med 4 skruer (**følger ikke med**) og påse at den er i vater horisontalt
 - bruk oppbevaringsskinne N og oppbevaringsstroppe P som illustrert
- Hvis elektroverktøyet til tross for omhyggelige produksjons- og kontrollmetoder en gang skulle svikte, må reparasjonen utføres av et autorisert serviceverksted for SKIL-elektroverktøyet
 - send verktøyet i **montert** tilstand sammen med kjøpebevis til forhandleren eller nærmeste SKIL servicesenter (adresser liksom service diagram av verktøyet finner du på www.skil.com)

FEILSØKING

- Følgende liste viser problemsymptomer, mulige årsaker og korrigerende tiltak (hvis ikke disse identifiserer og utbedrer problemet, ta kontakt med forhandler eller serviceavdeling).
 - ! slå av verktøyet og ta ut støpselet før du undersøket hva problemet er
- ★ Sprøyen er ikke jevn
 - dyse delvis blokkert -> rengjør dysen
- ★ Motoren starter ikke eller stopper brått
 - defekt strømkontakt -> bruk et annet uttak
 - støpsel ikke satt i -> sett i støpselet
 - termisk beskyttelse slo av motoren -> la verktøyet avkjøles i 5 minutter

- ★ Motoren går, men det er dårlig spray
 - dysse helt blokkert -> rengjør dysen
 - vannfilteret er tilstoppet -> rengjør vannfilteret
 - luft i pumpen -> pass på at vanninnløpskoblingen sitter godt fast
 - utilstrekkelig vanntilførsel -> sjekk at vannkranen er helt åpen

MILJØ

- **Kast aldri elektroverktøy, tilbehør og emballasje i husholdningsavfallet** (kun for EU-land)
 - i henhold til EU-direktiv 2012/19/EF om kasserte elektriske og elektroniske produkter og direktivets iverksetting i nasjonal rett, må elektroverktøy som ikke lenger skal brukes, samles separat og returneres til et miljøvennlig gjenvinningsanlegg
 - symbolet ⑫ er påtrykt som en påminnelse når utskiftning er nødvendig

SAMSVARERKLÆRING CE

- Vi erklærer som eneansvarlig at produktet som beskrives under "Tekniske data" stemmer overens med følgende normer eller normative dokumenter: EN 60335, EN 61000, EN 55014 jf. bestemmelsene i direktivene 2006/95/EF, 2004/108/EF, 2006/42/EF, 2000/14/EF, 2011/65/EU
- **Tekniske underlag hos:** SKIL Europe BV (PT-SEU/ENG1), 4825 BD Breda, NL

Marijn van der Hoofden Olaf Dijkgraaf
Operations & Engineering Approval Manager

SKIL Europe BV, 4825 BD Breda, NL

26.02.2014

CE10

STØY/VIBRASJON

- Målt ifølge EN 60704-1 er lydtryknivået av dette verktøyet 81dB(A) og lydstyrkenivået 93 dB(A) (standard deviasjon: 3 dB), og vibrasjonsnivået < 2,5 m/s² (hånd-arm metode; usikkerhet K = 1,5 m/s²)
- Målt ifølge 2000/14/EF er garantert lydstyrkenivået LWA lavere enn 97 dB(A) (samsvarsbedømmelsesmetode jf. vedlegg V)
- Det avgitte vibrasjonsnivået er blitt målt i samsvar med en standardisert test som er angitt i EN/ISO 5349; den kan brukes til å sammenligne et verktøy med et annet, og som et foreløpig overslag over eksponering for vibrasjoner ved bruk av verktøyet til de oppgavene som er nevnt
 - bruk av verktøyet til andre oppgaver, eller med annet eller mangelfullt vedlikeholdt utstyr, kan gi en vesentlig **økning** av eksponeringsnivået
 - tidsrommene når verktøyet er avslått eller når det går med ikke arbeider, kan gi en vesentlig **reduksjon** av eksponeringsnivået
- ! **beskytt deg selv mot virkningene av vibrasjoner ved å vedlikeholde verktøyet og utstyret, holde hendene varme og organisere arbeidsmåten din**

FIN

Painepesuri

0760

ESITTELY

- Tämä työkalu on suunniteltu ulkona olevien alueiden ja esineiden, ajoneuvojen ja veneiden pesemiseen
- Tämä työkalu on tarkoitettu ainoastaan kotikäyttöön, eikä sitä ole suunniteltu käytettäväksi muualta kuin hanasta peräisin olevalla vedellä
- Tämä työkalua ei ole tarkoitettu ammattikäyttöön
- **Lue tämä ohjekirja huolella ennen käyttöä ja pidä se tallella tulevia tarpeita varten** ③
- **Kiinnitä erityistä huomiota turvallisuutta koskeviin ohjeisiin ja varoituksiin; näiden laiminlyönti voi aiheuttaa vakavan vaurioitumisen**
- Varmista, että pakkaus sisältää kaikki osat, jotka näkyvät piirroksessa ②
- Jos osia puuttuu tai on vioittunut, ota yhteyttä jälleenmyyjään

TEKNISET TIEDOT ①

Käyttöpaine (P)	7 MPa
Maksimikäyttöpaine (Pmax)	10 MPa
Tulopaine	0 - 0,6 MPa

LAITTEEN OSAT ②

- A Liipaisimen lukko
- B Liipaisin
- C Tuloliitin
- D Veden tulo
- E Veden suodatin
- F Verkkokytin
- G Suihkusuutin
- H Pesuainepullo
- J Pesuainesuutin
- K Suihkuputki
- L Pistooli
- M Puhdistusneula
- N Säilytyskisko (ei ruuveja mukana)
- P Säilytysihhna (2)
- Q Paineletku
- R Veden poistoaukko
- S Ilmanvaihto-aukko
- T Liitäntä säilytysihhnoille

TURVALLISUUS

YLEISTÄ

- Käytä työkalua ja sen tarvikkeita tämän opasmanuaalin antamien ohjeiden mukaisesti ja tavalla, jolla työkalu on tarkoitettu käytettäväksi; jos työkalua käytetään toimintoihin, jotka poikkeavat työkalun normaalista käyttötavasta, seurauksena voi olla vaarallinen tilanne
- **Älä koskaan vedä sisään luottimia sisältäviä nesteitä, laimentamattomia happeja tai liuotaineita (esim. petrolia, maalinohenteita, lämmitysöljyä);** nämä nesteet tuottavat erittäin herkästi syttyvää, räjähdysaltista ja myrkyllistä sumutushöyryä ja ruostuttavat myös työkalujen osia

- Käytä työkalua vain, kun ympäristön lämpötila on 0 - 40°C
- **Älä aloita työskentelyä, elleivät työkalu ja käyttölaitteet ole täydellisessä kunnossa ja turvallisia käyttöä**
- Vara takapotkuvoimia, joita ilmenee painepesuria käynnistettäessä, pidä lujasti kiinni pistoolista ja suihkuputkesta ja seiso tukevassa asennossa
- Älä koskaan kiinnitä liipaisinta paikalleen käytön aikana
- **Älä koskaan suuntaa vesisuihkua kohti muita ihmisiä, eläimiä, jännitteisiä sähkölaitteita tai itse työkalua ④**
- Älä koskaan jätä työkalua valvomatta moottorin käydessä
- Älä käytä työkalua mahdollisesti räjähdyksalttiissa paikoissa
- **Katkaise työkalusta aina virta, irrota pistoke virtalähteestä ja varmista, ettei työkalussa ja pistoolissa ole vedenpainetta, ennen säätämistä, puhdistamista tai lisävarusteiden vaihtamista**

HENKILÖTURVALLISUUS

- Tätä työkalua ei ole tarkoitettu henkilöiden käyttöön (mukaan lukien lapset), joiden fyysinen, sensorinen tai henkinen vireys on rajoittunut tai joilla ei ole kokemusta tai tietämystä, ellei heidän turvallisuudestaan vastaava henkilö ole antanut heille ohjausta tai koulutusta työkalun käytössä
- Varmista, etteivät lapset leiki laitteella
- Käytä sopivia suojavaatteita suojaatuaksesi roiskevesiltä
- **Älä käytä työkalua muiden henkilöiden läheisyydessä, ellei heillä ole suojavaatteita**
- Älä ruiskuta asbestia sisältäviä materiaaleja tai muita materiaaleja, jotka sisältävät kenties terveydelle haitallisia aineita
- Puhdista renkaat / sisärenkaiden venttiilit vähintään 30 cm:n päästä, etteivät ne vaurioidu (vialliset renkaat voivat aiheuttaa kuolemaan johtavia onnettomuuksia)
- **Älä suuntaa vesisuihkua itseäsi tai muita kohti vaatteiden tai jalkineiden puhdistamista varten**

VEDEN TULOJÄRJESTELMÄ

- **Käytä ainoastaan työkalun mukana tullutta paineletkua ja liittimiä**
- Vaihda vaurioitunut paineletku välittömästi (ominaisuusiltaan samanlaiseen letkuun)
- Älä taita paineletkua tai aja moottoriajoneuvolla sen yli
- Älä altista paineletkua teräville reunoille tai kulmille
- Varmista, että kaikkien liittintäletkujen liitokset on tiivistetty asianmukaisesti
- **Muista, että työkalulla ruiskutettu vesi ei ole juomakelpoista**
- Voimassa olevien määräysten mukaan työkalu ei saa käyttää milloinkaan juomavesiverkossa ilman järjestelmäerotintinta ⑤; käytä normin EN 12729 tyyppi BA mukaista järjestelmäerotinta

SÄHKÖTURVALLISUUS

- Tarkista aina, että syöttöjännite on sama kuin työkalun nimiltaan osoittama jännite (työkalut, joiden jännitetaso on 230V tai 240V, voidaan kytkeä myös 220V tason jännitteeseen)
- Liitä työkalu vikavirran (FI) piirikatkaisimen kautta liipaisuvirtaan, jonka maksimi on 30 mA
- Varmista, että kaikki sähköä johtavat komponentit työskentelyalueella on suojattu roiskevesiltä

- Pidä johdinten liitännät kuivina ja irti maasta
- Tarkasta johto ajoittain ja vaan toimita se valtuutettuun huoltooliikkeeseen, kun johto on vioittunut
- Älä juokse (jatto)johdon yli, murskaa sitä tai vedä siitä
- Pidä (jatto)johto poissa lämpölähteiden, öljyn ja terävien reunojen läheltä
- Käytä vain sellaista ulkona käytettävää jattojohtoa, joka on varustettu vesitiiviillä pistokkeella ja liittimellä
- Käytä täysin rullaamattomia ja turvallisia jatkejohtoja, joiden kapasiteetti on 16 ampeeria
- Käytä ainoastaan jattojohtoja, joiden maksimipituus on 20 metriä (1,5 mm²) tai 50 metriä (2,5 mm²)
- Tarkista jattojohto säännöllisesti ja vaihda se, jos se on vioittunut (**vialliset jattojohdot voivat olla vaarallisia**)
- Älä koskaan koske pistokkeeseen märin käsin
- Katkaise työkalusta aina virta ja irrota pistoke virtalähteestä, jos virtajohto tai jattojohto katkeaa, vaurioituu tai jää jumiin (**älä koske johtoon ennen pistokkeen irrottamista**)

KÄYTTÖ

- Kokoonpano-ohjeet ⑥
 - kuvassa esiintyvää numerojärjestystä vastaa painepesurin kokoonamisessa noudatettavaa vaihejärjestystä
 - paina kaiken varalta liipaisimen lukkoa A estääksesi liipaisinta B aktivoitumasta vahingossa
- Liitäntä veden tulojärjestelmään ⑦
 - kierrä tuloliitin C veden tuloon D
 - ! **älä koskaan käytä tuloliitintä C ilman veden suodatinta E**
 - kiinnitä veden tuloletku (ei mukana) vesihanaan ja tuloliittimeen C
 - ! **varmista, ettei tuloveden lämpötila ylitä 40 °C** (juoksuta vettä kuumana päivänä ennen vesihanaan liittämistä, kunnes vesi jäähtyy)
- Työkalun käyttö ⑧
 - varmista, että työkalu on tukevalla alustalla ja pystyasennossa
 - kytke työkalu pistorasiaan (varmista, että verkkokytkin F on off-asennossa)
 - avaa vesihana
 - paina liipaisimen lukkoa A vapauttaaksesi liipaisimen B
 - paina liipaisin B pohjana päästääksesi työkalun sisään tai veden tuloletkuun jääneen ilman ulos
 - vapauta liipaisin B ja paina liipaisimen lukkoa A
 - kytke työkaluun virta painamalla verkkokytkimen "I"-painiketta F
 - virran kytkemisen jälkeen moottori käynnistyy muutamaksi sekunniksi, kunnes saavutetaan maksimipaine
 - paina liipaisimen lukkoa A, suuntaa suihkusuiutin G kohti pestävää aluetta ja vedä sitten liipaisimesta B valitse tiivis vesisuihku tai laaja suihku kääntämällä suutinta G
 - kun liipaisin B vapautetaan, moottori pysähtyy muutamaksi sekunnin kuluttua, kun maksimipaine on saavutettu
 - katkaise työkalusta virta painamalla verkkokytkimen "O"-painiketta F
 - sulje vesihana

- paina liipaisin B pohjaan, kunnes työkalussa ei enää ole vedenpainetta
- paina käytön jälkeen liipaisimen lukkoa A estääksesi liipaisinta B aktivoitumasta vahingossa
- irrota pistoke virtalähteestä
- irrota veden tuloletku työkalusta ja vesihanasta
- Pesuainepullon ⑨ käyttö
 - ! **varmistu, että liipaisin on lukittu ja verkkokytkin off-asennossa**
 - kierrä pullo H irti pesuainesuuttimesta J, ja täytä se biologisesti hajoavalla pesuaineella, joka sopii painepesurikäyttöön (**muiden pesuaineiden tai kemikaalien käyttö voi vaikuttaa haitallisesti työkalun turvallisuuteen**)
 - ! **älä käytä laimentamattomia pesuaineita**
 - kierrä täytetty pullo H kiinni pesuainesuuttimeen J
 - irrota putki K pistoolista L ja kiinnitä pesuainesuutin J tilalle, kuten kuvassa
 - paina liipaisimen lukkoa A, suuntaa pesuainesuutin J kohti pestävää aluetta ja vedä sitten liipaisimesta B
 - ! **pesuaine ei tule ulos suuren paineen alaisena**

VINKKEJÄ

- Kun käytät pesuainepulloa H
 - ! **katsota lisäohjeita pesuaineen etiketistä**
 - kastele kohde aina ensin
 - levitä pesuainetta esineeseen ylhäältä alkaen
 - anna pesuaineen vaikuttaa, mutta älä koskaan jätä sitä kuivumaan
 - huuhtelee ylhäältä ja jatka alaspäin
- Lisävinkejä on tarjolla web-osoitteessa www.skil.com

HOITO / HUOLTO

- Tätä työkalua ei ole tarkoitettu ammattikäyttöön
- **Katkaise työkalusta aina virta ennen huoltoa, varmista, ettei työkalussa tai pistoolissa ole vedenpainetta, irrota pistoke virtalähteestä ja irrota työkalu veden tulojärjestelmästä**
- Pidä työkalu ja johto puhtaina (varmistu erityisesti ilma-aukkojen puhdistus S ②)
 - älä käytä vettä, liuotainaineita tai kiillokkeita
 - puhdista suihkusuutin G säännöllisesti puhdistusneulalla M ⑩ (irrota ensin suihkuputki K pistoolista L)
- Tarkista laite säännöllisin väliajoin kuluneiden tai vaurioituneiden osien varalta ja korjauta/vaihdata ne tarvittaessa
- Veden suodattimen puhdistus
 - irrota veden suodatin E ② tuloliittimestä C ② pitkillä kärkipihdeillä
 - huuhtelee se puhtaaksi ja aseta takaisin paikalleen (vaihda suodatin, jos se on vioittunut)
- ! **älä koskaan käytä työkalua vaurioituneella veden suodattimella**
- Säilytys ⑪
 - säilytä työkalua poissa lasten ulottuvilta paikasta, jossa ympäristön lämpötila ei nouse yli 40 °C:seen eikä laske alle 0 °C:seen
 - älä aseta muita esineitä työkalun päälle

- kiinnitä säilytyskisko N tukevasti seinälle 4 ruuvilla (**eivät mukana**) vaakasuoraan asentoon
- käytä säilytyskiskoa N ja säilytysnauhoja P kuten kuvassa
- Jos sähkötyökalussa, huolellisesta valmistuksesta ja keustustenettelystä huolimatta esiintyy vikaa, tulee korjaus antaa SKIL sopimushuollon tehtäväksi
 - toimita työkalu sitä osiin **purkamatta** lähimpään SKIL-huoltoon (osoitteet ja työkalun huoltokaava ovat tarjolla web-osoitteessa www.skil.com) ostotodiste mukaan liitettynä

VIANMÄÄRITYS

- Seuraavassa luettelaa ongelmien oireita, mahdollisia syitä ja korjaustoimia (jos ongelma ei selviä ja korjaannu näiden avulla, ota yhteyttä jälleenmyyjään tai huoltoilikkeeseen)
 - ! **sammuta työkalu ja irrota pistoke pistorasiasta ennen ongelman tutkimista**
 - ★ Suihku ei ole tasainen
 - suutin osittain tukossa -> puhdista suutin
 - ★ Moottori ei käynnisty tai sammuu äkillisesti
 - virtalähteen pistorasia viallinen -> käytä toista pistorasiaa
 - pistoke ei kytketty -> kytke pistoke
 - lämpösuojaus katkaissut virran moottorista -> anna työkalun jäähtyä 5 minuutin ajan
 - ★ Moottori käy mutta suihku on heikko
 - suutin täysin tukossa -> puhdista suutin
 - veden suodatin tukossa -> puhdista veden suodatin
 - ilmaa pumpussa -> varmista, että veden tuloliitin on kiinnitetty tukevasti
 - riittämätön veden tulo -> tarkista, että vesihana on kokonaan auki

YMPÄRISTÖNSUOJELU

- **Älä hävitä sähkötyökalua, tarvikkeita tai pakkausta tavallisen kotitalousjätteen mukana** (koskee vain EU-maita)
 - vanhoja sähkö- ja elektroniikkalaitteita koskevan EU-direktiivin 2012/19/ETY ja sen maakohtaisten sovellusten mukaisesti käytetyt sähkötyökalut on toimitettava ongelmajätteen keräyspisteeseen ja ohjattava ympäristöystävälliseen kierrätykseen
 - symboli ⑫ muistuttaa tästä, kun käytöstä poisto tulee ajankohtaiseksi

VAATIMUSTEN- MUKAISUUSVAKUUTUS € €

- Vakuutamme yksin vastaavamme siitä, että kohdassa "Tekniset tiedot" selostettu tuote vastaa seuraavia standardeja tai standardoituja asiakirjoja: EN 60335, EN 61000, EN 55014 direktiivien 2006/95/EY, 2004/108/EY, 2006/42/EY, 2000/14/EY, 2011/65/EU määräysten mukaan

- **Tekninen tiedosto kohdasta:** SKIL Europe BV (PT-SEU/ENG1), 4825 BD Breda, NL

Marijn van der Hoofden Olaf Dijkgraaf
Operations & Engineering Approval Manager

SKIL Europe BV, 4825 BD Breda, NL

26.02.2014

CE10

MELU/TÄRINÄ

- Mitattuna EN 60704-1 mukaan työkalun melutaso on 81dB(A) ja yleensä työkalun äänen voimakkuus on 93 dB(A) (keskihajonta: 3 dB), ja tärinän voimakkuus < 2,5 m/s² (käsi-käsivarsi metodi; epävarmuus K = 1,5 m/s²)
 - Mitattuna 2000/14/EY mukaan taattu äänenvoimakkuustaso LWA on alle 97 dB(A) (yhteensopivuuden arviointimenetelmä liitteen V mukaan)
 - Tärinäsaiteilytaso on mitattu standardin EN/ISO 5349 mukaisen standarditestin mukaisesti; sitä voidaan käyttää verrattaessa yhtä laitetta toiseen sekä alustavana tärinälle altistumisen arviona käytettäessä laitetta manituissa käyttötarkoituksissa
 - laitteen käyttö eri käyttötarkoituksiin tai erilaisten tai huonosti ylläpidettyjen lisälaitteiden kanssa voi **lisätä** merkittävästi altistumistasoa
 - laitteen ollessa sammuksissa tai kun se on käynnissä, mutta sillä ei tehdä työtä, altistumistaso voi olla huomattavasti **pienempi**
- ! suojaudu tärinän vaikutuksilta ylläpitämällä laite ja sen lisävarusteet, pitämällä kädet lämpiminä ja järjestämällä työmenetelmät**

E

Limpiadora a alta presión 0760

INTRODUCCIÓN

- Esta herramienta se ha diseñado para la limpieza de vehículos, embarcaciones y áreas y objetos del exterior de la casa
- Esta herramienta ha sido concebida exclusivamente para uso doméstico y no ha sido diseñada para funcionar con agua procedente de orígenes distintos a una toma de agua corriente
- Esta herramienta no está concebida para uso profesional
- **Lea este manual de instrucciones cuidadosamente antes de utilizarlo y guárdelo para consultas futuras** ③
- **Preste especialmente atención a las instrucciones y advertencias de seguridad; en caso contrario pueden ocurrir graves lesiones**
- Compruebe que el paquete contiene todas las piezas según se ilustra en la figura ②
- Cuando faltan piezas o se dañan, póngase en contacto con su distribuidor

DATOS TÉCNICOS ①

Presión de funcionamiento (P) 7 MPa
Máxima presión de funcionamiento (Pmax) 10 MPa
Presión de admisión 0 - 0,6 MPa

ELEMENTOS DE LA HERRAMIENTA ②

- A Bloqueo del gatillo
- B Gatillo
- C Conector de la admisión
- D Admisión de agua
- E Filtro de agua
- F Interruptor de alimentación
- G Boquilla de pulverización
- H Botella de detergente
- J Boquilla de detergente
- K Lanza de pulverización
- L Pistola pulverizadora manual
- M Aguja de limpieza
- N Carril de almacenamiento (**tornillos no suministrados**)
- P Correa de almacenamiento (2)
- Q Manguera de alta presión
- R Salida de agua
- S Ranuras de ventilación
- T Conexión para correas de almacenamiento

SEGURIDAD

GENERAL

- Utilice la herramienta y sus accesorios según se indica en este manual de instrucciones y de manera adecuada para la máquina; el uso de la herramienta en operaciones distintas para las que ha sido diseñada, podría generar situaciones peligrosas
- **No acerar nunca a líquidos que contengan disolventes o a disolventes o ácidos sin diluir (p. ej. gasolina, disolventes de pintura, gasóleo de calefacción, etc.);** estos líquidos producen vapores de pulverización altamente inflamables, explosivos y tóxicos, y también pueden corroer los componentes de la herramienta
- Utilice la herramienta exclusivamente cuando la temperatura ambiente se encuentre entre 0°C y 40°C
- **Comience a trabajar sólo cuando la herramienta y los equipos operativos están en perfectas condiciones y su funcionamiento es seguro**
- Tenga cuidado con las fuerzas de retroceso que se producen al arrancar la limpiadora a alta presión; sujete firmemente la pistola pulverizadora manual y la lanza de pulverización y adopte una postura estable
- Nunca fije el gatillo en posición durante la operación
- **No dirija nunca el chorro de agua hacia otras personas, animales, equipos eléctricos activos o la propia herramienta** ④
- No deje nunca desatendida la herramienta cuando el motor está en marcha
- No maneje la herramienta en lugares potencialmente explosivos
- **Antes de ajustar, limpiar o cambiar accesorios, siempre apague la herramienta, desconecte el enchufe de la fuente de alimentación y asegúrese de que no existe presión de agua en la herramienta ni en la pistola pulverizadora manual**

SEGURIDAD DE PERSONAS

- Esta herramienta no está pensada para ser utilizada por personas (incluidos niños) con capacidades físicas, sensoriales o mentales disminuidas o falta de experiencia y conocimientos, a menos que estén bajo la supervisión o instrucciones relativas al uso de la herramienta por parte de una persona responsable de su seguridad
- Asegúrese de que los niños no jueguen con la herramienta
- Lleve ropa de protección adecuada para protegerse contra las salpicaduras de agua
- **No utilice la herramienta si hay personas en las proximidades, a menos que lleven ropa de protección**
- No rocíe materiales que contengan amianto ni otros materiales que contengan sustancias peligrosas para la salud
- Limpie neumáticos y válvulas de neumáticos únicamente a una distancia mínima de 30 cm para evitar dañarlos (unos neumáticos de vehículo dañados pueden provocar accidentes fatales)
- **No dirija el chorro de agua contra usted mismo ni contra otras personas con el fin de limpiar la ropa o el calzado**

ALIMENTACIÓN DE AGUA

- **Utilice exclusivamente la manguera de alta presión y el acoplamiento suministrados con la herramienta**
- Sustituya inmediatamente una manguera de alta presión deteriorada (con idénticas especificaciones)
- No enrede la manguera de alta presión ni pase con un vehículo de motor por encima de la misma
- No exponga la manguera de alta presión a esquinas o bordes afilados
- Asegúrese de todas las mangueras de conexión disponen de juntas adecuadamente estancas
- **Sea consciente de que el agua pulverizada generada por la herramienta no se puede beber**
- De acuerdo con las normativas vigentes, está prohibido utilizar la herramienta sin un separador de sistema en la red de agua potable (5); utilice un separador de sistema apropiado que cumpla la norma EN 12729 tipo BA

SEGURIDAD ELÉCTRICA

- Compruebe siempre que la tensión de alimentación es la misma que la indicada en la placa de características de la herramienta (las herramientas de 230V o 240V pueden conectarse también a 220V)
- Conecte la herramienta mediante un interruptor (FI) a una corriente de disparo de 30 mA como máximo
- Asegúrese de que todos los elementos conductores eléctricos situados en el área de trabajo están protegidos frente a las salpicaduras de agua
- Mantenga las conexiones por cable secas y elevadas del suelo
- Inspeccione el cable periódicamente y, si estuviera dañado, hágalo cambiar por una persona calificada
- No atropelle ni aplaste el cable (de extensión), ni tire del mismo
- Proteja el cable (de extensión) del calor, el aceite y los bordes afilados
- Utilice únicamente un cable de extensión adecuado para su uso en el exterior y equipado con toma de acoplamiento y enchufe herméticos

- Utilice cables de extensión seguros y completamente desenrollados con una capacidad de 16 amperios
- Use sólo cables de prolongación con una longitud máxima de 20 metros (1,5 mm²) o 50 metros (2,5 mm²)
- Inspeccione periódicamente el cable de extensión y sustitúyalo si está deteriorado (**los cables de extensión inadecuados pueden ser peligrosos**)
- No toque nunca el enchufe de alimentación eléctrica con las manos húmedas
- Apague la herramienta y desconecte el enchufe de la fuente de alimentación siempre que el cable de dicha fuente o el cable de alimentación sufran un corte, se dañen o se enreden (**no toque el cable antes de desconectar el enchufe**)

USO

- Instrucciones de montaje (6)
 - la secuencia de números que aparecen en el dibujo se corresponde con la secuencia de pasos a seguir para montar la limpiadora a alta presión
 - como precaución de seguridad, presione el bloqueo del gatillo A para evitar que el gatillo B se active accidentalmente
- Conexión a la alimentación de agua (7)
 - enrosque el conector de la admisión C a la admisión de agua D
 - ! **no utilice nunca el conector de la admisión C sin el filtro de agua E**
 - una la manguera de alimentación de agua (no suministrada) a la toma de agua y al conector de la admisión C
 - ! **asegúrese de que la temperatura del agua de entrada no es superior a 40°C** (en un día caluroso, deje correr el agua hasta que salga más fresca antes de realizar la conexión a la toma de agua)
- Utilización de la herramienta (8)
 - asegúrese de que la herramienta está situada en una base sólida y en posición vertical
 - conecte la herramienta a la toma de alimentación (asegúrese de que el interruptor de alimentación F está en la posición de desactivado)
 - abra la toma de agua
 - presione el bloqueo del gatillo A para que quede suelto el gatillo B
 - apriete completamente el gatillo B para liberar todo el aire que se encuentre atrapado en la herramienta o en la manguera de alimentación de agua
 - suelte el gatillo B y presione el bloqueo del gatillo A
 - encienda la herramienta pulsando el botón "I" del interruptor de alimentación F
 - tras el encendido, el motor comienza a funcionar durante unos segundos hasta que se alcanza la presión máxima
 - presione el bloqueo del gatillo A, apunte con la boquilla de pulverización G hacia el área a limpiar y, a continuación, tire del gatillo B
 - puede cambiar entre un chorro concentrado de agua y un pulverizado amplio mediante el giro de la boquilla G
 - al soltar el gatillo B, el motor deja de funcionar tras unos segundos, cuando se alcanza la presión máxima

- apague la herramienta pulsando el botón "O" del interruptor de alimentación F
- cierre la toma de agua
- apriete totalmente el gatillo B hasta que deje de haber presión de agua en la herramienta
- después del uso, presione el bloqueo del gatillo A para evitar que el gatillo B se active accidentalmente
- desconecte el enchufe de la fuente de alimentación
- desconecte la manguera de alimentación de agua de la herramienta y la toma de agua
- Uso de la botella de detergente ⑨

! asegúrese de que el gatillo está bloqueado y de que el interruptor de alimentación se encuentra en la posición de desactivado

- desenrosque la botella H de la boquilla de detergente J y llénela de detergente biodegradable adecuado para su aplicación en una limpiadora a alta presión (**el uso de otros detergentes o productos químicos puede afectar negativamente a la seguridad de la herramienta**)

! no utilice detergentes sin diluir

- enrosque la botella H llena en la boquilla de detergente J
- retire la lanza K de la pistola pulverizadora manual L y monte en su lugar la boquilla de detergente J como figura en la ilustración
- presione el bloqueo del gatillo A, apunte con la boquilla de detergente J hacia el área a limpiar y, a continuación, tire del gatillo B

! el detergente no sale en condiciones de alta presión

CONSEJOS DE APLICACIÓN

- Al usar la botella de detergente H
 - ! lea la etiqueta del detergente para consultar instrucciones adicionales**
 - siempre humedezca antes el objeto
 - aplique detergente al objeto en sentido ascendente
 - deje tiempo para que el detergente actúe, pero no permita nunca que se seque
 - aclare desde la parte superior y trabaje en sentido descendente
- Para más consejos vea www.skil.com

MANTENIMIENTO / SERVICIO

- Esta herramienta no está concebida para uso profesional
- **Antes de realizar una tarea de mantenimiento, siempre apague la herramienta, asegúrese de que no existe presión de agua en la herramienta ni en la pistola pulverizadora manual, desconecte el enchufe de la fuente de alimentación y desconecte la herramienta de la alimentación de agua**
- Mantenga limpio el cable eléctrico y la herramienta (sobre todo las ranuras de ventilación S ②)
 - no utilice agua, disolventes ni abrillantadores
 - limpie periódicamente la boquilla de pulverización G utilizando la aguja de limpieza M ⑩ (retire antes la lanza de pulverización K de la pistola pulverizadora manual L)

- Verifique con regularidad la ausencia de componentes desgastados o dañados y repárelos o sustitúyalos cuando sea necesario
- Limpieza del filtro de agua
 - retire el filtro de agua E ② del conector de admisión C ② con unas pinzas largas
 - enjuague hasta dejarlo limpio y póngalo de nuevo (sustitúyalo cuando esté deteriorado)
- ! no utilice nunca la herramienta con un filtro de agua deteriorado**
- Almacenamiento ⑪
 - guarde la herramienta lejos del alcance de los niños, en un lugar en el que la temperatura ambiente no supere 40°C ni descienda por debajo de 0°C
 - no ponga otros objetos encima de la herramienta
 - instale en la pared el carril de almacenamiento N con 4 tornillos (**no suministrados**), bien sujeto y horizontalmente nivelado
 - use el carril de almacenamiento N y las correas de almacenamiento P como figura en la ilustración
- Si a pesar de los esmerados procesos de fabricación y control, la herramienta llegase a averiarse, la reparación deberá encargarse a un servicio técnico autorizado para herramientas eléctricas SKIL
 - envíe la herramienta **sin desmontar** junto con una prueba de su compra a su distribuidor o a la estación de servicio más cercana de SKIL (los nombres así como el despiece de piezas de la herramienta figuran en www.skil.com)

RESOLUCIÓN DE PROBLEMAS

- El siguiente listado indica síntomas de problemas, causas posibles y acciones correctoras (si no permite la identificación y la corrección del problema, póngase en contacto con su distribuidor o su centro de asistencia)
 - ! apague la herramienta y desenchúfela antes de investigar el problema**
 - ★ La pulverización no es consistente
 - boquilla parcialmente bloqueada -> limpie la boquilla
 - ★ El motor no arranca o se detiene repentinamente
 - toma de alimentación eléctrica averiada -> utilice otra toma
 - enchufe no conectado -> conecte el enchufe
 - la protección térmica apaga el motor -> deje que la herramienta se enfríe durante 5 minutos
 - ★ El motor funciona pero la pulverización es deficiente
 - boquilla completamente bloqueada -> limpie la boquilla
 - filtro de agua obstruido -> limpie el filtro de agua
 - aire en la bomba -> asegúrese de que el conector de admisión de agua está ajustado firmemente
 - alimentación inadecuada de agua -> verifique que la toma de agua está completamente abierta

AMBIENTE

- **No deseche las herramientas eléctricas, los accesorios y embalajes junto con los residuos domésticos** (sólo para países de la Unión Europea)
 - de conformidad con la Directiva Europea 2012/19/CE sobre residuos de aparatos eléctricos y electrónicos y su aplicación de acuerdo con la legislación nacional, las herramientas eléctricas cuya vida útil haya llegado

a su fin se deberán recoger por separado y trasladar a una planta de reciclaje que cumpla con las exigencias ecológicas

- símbolo 12 llamará su atención en caso de necesidad de tirarlas

DECLARACIÓN DE CONFORMIDAD CE

- Declaramos bajo nuestra sola responsabilidad que el producto descrito bajo "Datos técnicos" está en conformidad con las normas o documentos normalizados siguientes: EN 60335, EN 61000, EN 55014 de acuerdo con las disposiciones en las directivas 2006/95/CE, 2004/108/CE, 2006/42/CE, 2000/14/CE, 2011/65/UE
- **Expediente técnico en:** SKIL Europe BV (PT-SEU/ENG1), 4825 BD Breda, NL

Marijn van der Hoofden
Operations & Engineering

Olaf Dijkgraaf
Approval Manager

SKIL Europe BV, 4825 BD Breda, NL

26.02.2014

CE10

RUIDOS/VIBRACIONES

- Medido según EN 60704-1 el nivel de la presión acústica de esta herramienta se eleva a 81dB(A) y el nivel de la potencia acústica a 93 dB(A) (desviación estándar: 3 dB), y la vibración a $< 2,5 \text{ m/s}^2$ (método brazo-mano; incertidumbre $K = 1,5 \text{ m/s}^2$)
 - Medido según 2000/14/CE el nivel de potencia acústica LWA garantizado es inferior a 97 dB(A) (procedimiento para evaluación de la conformidad según anexo V)
 - El nivel de emisión de vibraciones ha sido medido según una prueba estándar proporcionada en EN/ISO 5349; puede utilizarse para comparar una herramienta con otra y como valoración preliminar de la exposición a las vibraciones al utilizar la herramienta con las aplicaciones mencionadas
 - al utilizarla para distintas aplicaciones o con accesorios diferentes o con un mantenimiento deficiente, podría **augmentar** de forma notable el nivel de exposición
 - en las ocasiones en que se apaga la herramienta o cuando está funcionando pero no está realizando ningún trabajo, se podría **reducir** el nivel de exposición de forma importante
- ! protéjase contra los efectos de la vibración realizando el mantenimiento de la herramienta y sus accesorios, manteniendo sus manos calientes y organizando sus patrones de trabajo**



P

Lavadora de alta presión

0760

INTRODUÇÃO

- Esta ferramenta foi concebida para limpar áreas e objectos fora de casa, veículos e barcos
- Esta ferramenta destina-se apenas a utilização doméstica e não foi concebida para trabalhar com fontes que não sejam uma torneira
- Esta ferramenta não se destina a utilização profissional
- **Leia este manual de instruções cuidadosamente antes de utilizar e guarde-o para futura referência** ③
- **Dê especial atenção às instruções e avisos de segurança; a não observação das respectivas recomendações poderá resultar em lesões graves**
- Verifique se a embalagem contém todas as peças conforme apresentado no desenho ②
- Quando faltarem peças ou estiverem danificadas, contacte o revendedor

DADOS TÉCNICOS ①

Pressão de funcionamento (P)	7 MPa
Pressão máxima de funcionamento (P _{máx})	10 MPa
Pressão de entrada	0 - 0,6 MPa

ELEMENTOS DA FERRAMENTA ②

- A** Bloqueio do accionador
- B** Accionador
- C** Conector de entrada
- D** Entrada de água
- E** Filtro de água
- F** Interruptor principal
- G** Bico de pulverização
- H** Garrafa do detergente
- J** Bico do detergente
- K** Lança de pulverização
- L** Pistola
- M** Agulha de limpeza
- N** Calha de armazenamento (**parafusos não fornecidos**)
- P** Correia de armazenamento (2)
- Q** Mangueira de alta pressão
- R** Saída de água
- S** Aberturas de ventilação
- T** Ligaçao para correias de armazenamento

SEGURANÇA

GENERAL

- Utilize a ferramenta e os acessórios conforme indicado neste manual de instruções e para os fins para os quais a ferramenta foi concebida; a utilização da ferramenta para operações diferentes daquelas que normalmente se espera que a ferramenta execute poderá resultar numa situação de perigo
- **Nunca aspire líquidos com solventes, ácidos não diluídos ou solventes (por exemplo, petróleo, diluentes, óleo de aquecimento);** estes líquidos produzem vapores altamente inflamáveis, explosivos e tóxicos e corroem também os componentes da ferramenta

- Utilize apenas a ferramenta quando a temperatura estiver entre 0°C e 40°C
- **Comece a trabalhar apenas quando a ferramenta e o equipamento de funcionamento estiver em perfeitas condições e seguro**
- Não se esqueça das forças de recuo que ocorrem quando ligar a lavadora de alta pressão; segure a pistola e a lança de pulverização e tome uma postura segura
- Nunca fixe o accionador na posição durante a utilização
- **Nunca direcione o jacto de água na direcção de outras pessoas, animais, equipamento eléctrico ligado ou a própria ferramenta** ④
- Nunca deixe a ferramenta sem vigilância com o motor em funcionamento
- Não utilize a ferramenta em locais potencialmente explosivos
- **Desligue sempre a ferramenta, retire a ficha da fonte de alimentação e certifique-se de que não existe nenhuma pressão de água na ferramenta e na pistola antes de ajustar, limpar ou mudar acessórios**

SEGURANÇA DE PESSOAS

- Esta ferramenta não deve ser utilizada por pessoas (incluindo crianças) com deficiências físicas, sensoriais ou mentais, ou falta de experiência e conhecimentos, excepto se tiverem supervisão ou receberem instrução relacionada com a utilização da ferramenta por uma pessoa responsável pela sua segurança
- Certifique-se de que as crianças não brinquem com a ferramenta
- Use vestuário de protecção adequado para se proteger contra a água salpicada
- **Não utilize a ferramenta com outras pessoas nas imediações, excepto se usarem vestuário de protecção**
- Não pulverize materiais com amianto e outros materiais que contenham substâncias que sejam perigosas para a sua saúde
- Limpe apenas pneus/válvulas dos pneus a uma distância mínima de 30 cm para evitar danos (pneus danificados podem originar acidentes fatais)
- **Não direcione o jacto de água contra si ou outros para limpar roupas ou calçado**

FORNECIMENTO DE ÁGUA

- **Utilize apenas a mangueira de alta pressão e a união fornecidas com a ferramenta**
- Substitua uma mangueira de alta pressão danificada imediatamente (com especificações idênticas)
- Não coloque nem passe com um veículo motorizado sobre a mangueira de alta pressão
- Não exponha a mangueira de alta pressão a extremidades ou cantos afiados
- Certifique-se de que todas as mangueiras de ligação têm as juntas seladas correctamente
- **Certifique-se de que a água pulverizada gerada pela ferramenta não é bebível**
- De acordo com as prescrições em vigor, nunca pode ligar a ferramenta à rede de água potável sem separador de sistema (Ⓢ); utilize um separador de sistema adequado de acordo com a EN 12729 tipo BA

SEGURANÇA ELÉCTRICA

- Certifique-se sempre de que a tensão de alimentação está de acordo com a tensão indicada na placa de identificação da ferramenta (ferramentas com a indicação de 230V ou 240V também podem ser ligadas a uma fonte de 220V)
- Ligue a ferramenta utilizando um disjuntor de corrente de falha (FI) com uma corrente de disparo de 30 mA no máximo
- Certifique-se de que todos os componentes de condução de corrente na área de trabalho estão protegidos contra a água salpicada
- Mantenha as ligações dos cabos secas e afastadas do chão
- Inspeccione periodicamente o fio e mandando-o substituir por pessoal qualificado, se o fio estiver danificado
- Não passe por cima, esmague ou puxe o cabo (extensão)
- Proteja o cabo (extensão) de fontes de calor, de óleo e de arestas aguçadas
- Utilize apenas um cabo de inspecção destinado a utilização exterior e equipado com uma ficha impermeável e uma união de tomada
- Utilize extensões completamente desenroladas e seguras, com uma capacidade de 16 Amp
- Utilize apenas cabos de extensão com um comprimento máximo de 20 metros (1,5 mm²) ou 50 metros (2,5 mm²)
- Inspeccione o cabo de extensão periodicamente e substitua-o, se danificado (**os cabos de extensão inadequados podem ser perigosos**)
- Nunca toque na ficha com as mãos húmidas
- Desligue sempre a ferramenta e retire a ficha da fonte de alimentação se o cabo de alimentação ou o cabo de extensão estiver cortado, danificado ou emaranhado (**não toque no cabo antes de desligar a ficha**)

MANUSEAMENTO

- Instruções de montagem ⑥
 - a sequência dos números apresentada no desenho corresponde à sequência dos passos a seguir para montar a lavadora de alta pressão
 - como precaução de segurança, prima o bloqueio de accionador A para evitar que o accionador B seja accionado acidentalmente
- Ligação ao fornecimento de água ⑦
 - aparafuse o conector de entrada C à entrada da água D
 - ! **nunca utilize o conector de entrada C sem o filtro de água E**
 - ligue a mangueira de fornecimento de água (não fornecida) à torneira e ao conector de entrada C
 - ! **certifique-se de que a temperatura da água não excede 40°C** (num dia quente deixe correr a água até arrefecer antes de ligar à torneira)
- Utilização da ferramenta ⑧
 - certifique-se de que a ferramenta está colocada numa base sólida e em posição vertical
 - ligue a ferramenta à corrente eléctrica (certifique-se de que o interruptor principal F está na posição de desligado)
 - abra a torneira da água

- prima o bloqueio do accionador A para libertar o accionador B
- prima completamente o accionador B para libertar qualquer ar preso na ferramenta ou na mangueira de fornecimento de água
- liberte o accionador B e prima o bloqueio do accionador A
- prima o botão "I" do interruptor principal para ligar a ferramenta F
- depois de ligar o motor deixe-o funcionar durante alguns segundos até atingir a pressão máxima
- prima o bloqueio do accionador A, aponte o bico de pulverização G para a área que pretende lavar e, em seguida, prima o accionador B
- comute entre um jacto de água concentrado e uma pulverização grande através da rotação do bico G
- depois de libertar o accionador B, o motor pára de funcionar passados alguns segundos quando atinge a pressão máxima
- prima o botão "O" do interruptor principal para desligar a ferramenta F
- feche a torneira da água
- prima completamente o accionador B até não haver nenhuma pressão da água na ferramenta
- após a utilização, prima o bloqueio do accionador A para evitar que o accionador B seja activado acidentalmente
- desligue da fonte de corrente
- desligue a mangueira de fornecimento de água da ferramenta e da torneira
- Utilizar a garrafa do detergente ⑨
- ! **certifique-se de que o accionador está bloqueado e o interruptor principal está na posição de desligado**
- desaparafuse a garrafa H do bico do detergente J e encha-a com detergente biodegradável adequado para utilização na lavadora de alta pressão (a **utilização de outros detergentes ou produtos químicos pode afectar adversamente a segurança da ferramenta**)
- ! **não utilize detergentes não diluídos**
- aparafuse a garrafa cheia H ao bico do detergente J retire a lança K da pistola L e monte o bico do detergente J em vez de como ilustrado
- prima o bloqueio do accionador A, aponte o bico do detergente J para a área que pretende lavar e, em seguida, prima o accionador B
- ! **o detergente não sai em alta pressão**

CONSELHOS DE APLICAÇÃO

- Quando utilizar a garrafa do detergente H
- ! **leia a etiqueta do detergente para obter instruções adicionais**
- molhe sempre o objecto primeiro
- aplique detergente no objecto de baixo para cima
- dê tempo para o detergente actuar, mas nunca o deixe secar
- lave de cima para baixo
- Para mais sugestões consulte www.skil.com

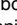
MANUTENÇÃO / SERVIÇO

- Esta ferramenta não se destina a utilização profissional
- **Antes da manutenção, desligue sempre a ferramenta, certifique-se de que não existe nenhuma pressão de água na ferramenta e na pistola, retire a ficha da fonte de alimentação e desligue a ferramenta do fornecimento de água**
- Mantenha a ferramenta e o fio sempre limpos (especialmente as ranhuras de respiração S ②)
 - não utilize água, solventes ou polimentos
 - limpe regularmente o bico de pulverização G com a agulha de limpeza M ⑩ (retire a lança de pulverização K da pistola L primeiro)
- Verifique regularmente se existem componentes gastos ou danificados e mande-os reparar/substituir quando necessário
- Limpar o filtro de água
 - retire o filtro de água E ② do conector de entrada C ② com um alicate de pontas longas
 - limpe-o e reinstale-o (substitua-o quando danificado)
- ! **nunca utilize a ferramenta com um filtro de água danificado**
- Armazenamento ⑪
 - guarde a ferramenta fora do alcance das crianças num local onde temperatura não seja inferior a 0°C e superior a 40°C
 - não coloque outros objectos em cima da ferramenta
 - monte a calha de armazenamento N na parede com 4 parafusos (**não fornecidos**) e nivelada na horizontal
 - utilize a calha de armazenamento N e as correias de armazenamento P conforme ilustrado
- Se a ferramenta falhar apesar de cuidadosos processos de fabricação e de teste, a reparação deverá ser executada por uma oficina de serviço autorizada para ferramentas eléctricas SKIL
 - envie a ferramenta **sem desmontar**, juntamente com a prova de compra, para o seu revendedor ou para o centro de assistência SKIL mais próximo (os endereços assim como a mapa de peças da ferramenta estão mencionados no www.skil.com)

RESOLUÇÃO DE PROBLEMAS

- A lista seguinte mostra os sintomas dos problemas, causas possíveis e acções correctivas (se estas não identificarem e corrigirem o problema, contacte o revendedor ou o centro de assistência técnica)
- ! **desligue a ferramenta e desligue a ficha antes de investigar o problema**
- ★ A pulverização não é consistente
 - bico parcialmente bloqueado -> limpe o bico
- ★ O motor não arranca ou pára repentinamente
 - tomada eléctrica avariada -> utilize outra tomada
 - ficha desligada -> ligue a ficha
 - protecção térmica desligou o motor -> deixe a ferramenta arrefecer durante 5 minutos
- ★ O motor está a funcionar, mas a pulverização é deficiente
 - bico completamente bloqueado -> limpe o bico
 - filtro de água obstruído -> limpe o filtro de água
 - ar na bomba -> certifique-se de que o conector de entrada de água está encaixado correctamente
 - fornecimento de água inadequado -> verifique se a torneira está completamente aberta

AMBIENTE

- **Não deite ferramentas eléctricas, acessórios e embalagem no lixo doméstico** (apenas para países da UE)
 - de acordo com a directiva europeia 2012/19/CE sobre ferramentas eléctricas e electrónicas usadas e a transposição para as leis nacionais, as ferramentas eléctricas usadas devem ser recolhidas em separado e encaminhadas a uma instalação de reciclagem dos materiais ecológica
 - símbolo  lhe avisará em caso de necessidade de arranjar-las

DECLARAÇÃO DE CONFORMIDADE CE

- Declaramos sob nossa exclusiva responsabilidade que o produto descrito em "Dados técnicos" cumpre as seguintes normas ou documentos normativos: EN 60335, EN 61000, EN 55014 conforme as disposições das directivas 2006/95/CE, 2004/108/CE, 2006/42/CE, 2000/14/CE, 2011/65/UE
- **Processo técnico em:** SKIL Europe BV (PT-SEU/ENG1), 4825 BD Breda, NL

Marijn van der Hoofden
Operations & Engineering

Olaf Dijkgraaf
Approval Manager



SKIL Europe BV, 4825 BD Breda, NL

26.02.2014

CE10

RUÍDO/VIBRAÇÕES

- Medido segundo EN 60704-1 o nível de pressão acústica desta ferramenta é 81dB(A) e o nível de potência acústica 93 dB(A) (espaço de erro: 3 dB), e a vibração $2,5 \text{ m/s}^2$ (método braço-mão; incerteza $K = 1,5 \text{ m/s}^2$)
 - Medido segundo 2000/14/CE o nível de potência acústica garantido é inferior a 97 dB(A) (processo de avaliação da conformidade de acordo com o anexo V)
 - O nível de emissão de vibrações foi medido de acordo com um teste normalizado fornecido na EN/ISO 5349; pode ser utilizado para comparar uma ferramenta com outra e como uma avaliação preliminar de exposição à vibração quando utilizar a ferramenta para as aplicações mencionadas
 - utilizar a ferramenta para diferentes aplicações ou com acessórios diferentes ou mantidos deficientemente, pode **umentar** significativamente o nível de exposição
 - o número de vezes que a ferramenta é desligada ou quando estiver a trabalhar sem fazer nada, pode **reduzir** significativamente o nível de exposição
- ! proteja-se contra os efeitos da vibração, mantendo a ferramenta e os acessórios, mantendo as mãos quentes e organizando os padrões de trabalho**

I

Idropulitrice

0760

INTRODUZIONE

- Questo utensile è stato progettato per pulire aree ed oggetti esterni, veicoli e barche
- Questo utensile è stato progettato per uso unicamente domestico e non è adatto ad essere utilizzato con acqua da fonti diverse dall'acqua di rubinetto
- Questo utensile non è inteso per un uso professionale
- **Leggere attentamente questo manuale di istruzioni prima dell'impiego, e conservarlo per future consultazioni** ③
- **Prestare particolare attenzione alle istruzioni di sicurezza ed alle avvertenze; la mancata osservanza potrebbe causare serie lesioni**
- Verificare che l'imballo contenga tutte le parti illustrate sul disegno ②
- In caso di parti mancanti o danneggiate, contattare il proprio rivenditore

DATI TECNICI ①

Pressione d'esercizio (P)	7 MPa
Pressione d'esercizio massima (Pmax)	10 MPa
Pressione d'ingresso	0 - 0,6 MPa

ELEMENTI UTENSILE ②

- A** Sicura
- B** Pulsante di azionamento
- C** Connettore d'ingresso
- D** Ingresso dell'acqua
- E** Filtro dell'acqua
- F** Interruttore di rete
- G** Ugello spruzzatore
- H** Bottiglia del detersivo
- J** Ugello del detersivo
- K** Lancia spruzzatrice
- L** Pistola
- M** Ago di pulizia
- N** Supporto per utensile (**viti non fornite**)
- P** Fascetta porta-utensile (2)
- Q** Tubo ad alta pressione
- R** Uscita dell'acqua
- S** Feritoie di ventilazione
- T** Collegamento per fascette porta-utensile

SICUREZZA

NOTE GENERALI

- Usare l'utensile ed i suoi accessori secondo questo manuale di istruzioni e nel modo inteso per l'utensile; l'utilizzo dell'utensile per operazioni diverse da quelle normalmente previste per l'uso dell'utensile, potrebbe causare delle situazioni pericolose
- **Non versare mai liquidi contenenti solventi, acidi o solventi non diluiti (p.es. benzina, diluenti, olio combustibile)**; questi liquidi producono un vapore altamente infiammabile, esplosivo e tossico e corrodono i componenti dell'utensile

- Usare l'utensile solo quando la temperatura ambiente è tra 0°C e 40°C
- **Iniziare a lavorare solo quando l'utensile e l'attrezzatura operativa sono in condizioni perfette e garantiscono un uso sicuro**
- Fare attenzione ai contraccolpi sviluppati quando si accende l'idropulitrice; tenere la pistola e la lancia spruzzatrice fermamente e assumere una posizione sicura
- Non bloccare mai il pulsante di azionamento in questa posizione durante l'uso
- **Non dirigere mai il getto d'acqua in direzione di persone, animali, attrezzature elettriche sotto tensione o l'utensile stesso** ④
- Non lasciare mai l'utensile incustodito con il motore acceso
- Non usare l'utensile in posti potenzialmente esplosivi
- **Spegnere sempre l'utensile, scollegare la spina dalla presa di corrente e assicurarsi che non vi sia pressione in pressione nell'utensile e nella pistola prima di regolare, pulire o cambiare accessori**

SICUREZZA DELLE PERSONE

- Questo utensile non deve essere usato da persone (compresi i bambini) con ridotte capacità fisiche, sensoriali e mentali o con scarsa esperienza e conoscenza specifiche, a meno che le stesse non operino sotto la supervisione di una persona responsabile della loro sicurezza o siano state da essa istruite sull'utilizzo dell'utensile
- Assicurarsi che i bambini non giochino con l'utensile
- Indossare abiti protettivi adeguati per la protezione da spruzzi d'acqua
- **Non usare l'utensile in prossimità di persone, a meno che non indossino abiti protettivi**
- Non spruzzare materiali che contengono amianto e altri materiali che contengono sostanze pericolose per la salute
- Pulire pneumatici/valvole di pneumatici a una distanza minima di 30 cm per evitare di danni (pneumatici di veicoli danneggiati possono causare incidenti fatali)
- **Non dirigere mai il getto d'acqua in direzione di se stessi o di di persone per pulire abiti o calzature**

ALIMENTAZIONE DELL'ACQUA

- **Usare solo il tubo ad alta pressione e il raccordo forniti con l'utensile**
- Sostituire immediatamente il tubo ad alta pressione danneggiato (con specifiche identiche)
- Non piegare o passare con veicoli a motore sopra al tubo ad alta pressione
- Non esporre il tubo ad alta pressione a bordi o angoli taglienti
- Assicurarsi che tutti i tubi di collegamento siano dotati di giunture appropriatamente sigillate
- **Attenzione: l'acqua spruzzata dall'utensile non è potabile!**
- Secondo quanto prescritto dalle regolamentazioni in vigore è necessario che l'utensile non venga usato mai senza disgiuntore di rete sulla rete di acqua potabile ⑤; utilizzare un idoneo disgiuntore disgiuntore di rete secondo la normativa EN 12729 tipo BA

SICUREZZA ELETTRICA

- Controllare che la tensione dell'alimentazione sia la stessa di quella indicata sulla targhetta dell'utensile (gli utensili con l'indicazione di 230V o 240V possono essere collegati anche alla rete di 220V)
- Collegare l'utensile attraverso un interruttore automatico di corrente (FI) con una corrente di scatto di 30 mA massimo
- Assicurarsi che tutti i componenti che conducono corrente presenti nell'area di lavoro siano protetti da spruzzi d'acqua
- Mantenere i collegamenti dei cavi asciutti e lontano dal suolo
- Esaminare il cavo periodicamente e, se danneggiato, farlo sostituire da personale qualificato
- Non passare sopra, schiacciare o tirare il cavo (di prolunga)
- Proteggere il cavo (di prolunga) dal calore, dall'olio e da bordi taglienti
- Usare solamente una prolunga per un uso all'esterno e munita di presa e spina a prova di spruzzo
- Usare cavi di prolunga completamente srotolati e sicure con una capacità di 16 Amp
- Usare soltanto cavi di prolunga con una lunghezza massima di 20 metri (1,5 mm²) o 50 metri (2,5 mm²)
- Esaminare il cavo di prolunga periodicamente e, se danneggiato, sostituirlo (**cavi di prolunga inadeguati possono essere pericolosi**)
- Non toccare mai la spina di corrente con le mani umide
- Spegnere sempre l'utensile e disinserire la spina dalla presa di corrente, se il cavo d'alimentazione o il cavo di prolunga è tagliato, danneggiato o impigliato (**non toccare il cavo prima di disinserire la spina**)

USO

- Istruzioni di montaggio ⑥
 - la sequenza dei numeri che compaiono nel disegno corrisponde alla successione dei passi da seguire per il montaggio dell'idropultrice
 - come precauzione premere il blocco del pulsante di azionamento A per evitare che il pulsante di attivazione B venga attivato accidentalmente
- Collegamento all'alimentazione dell'acqua ⑦
 - avvitare il connettore d'ingresso C nell'ingresso dell'acqua D
 - ! **non usare il connettore d'ingresso C senza filtro dell'acqua E**
 - collegare il tubo d'alimentazione dell'acqua (non fornito) al rubinetto dell'acqua e al connettore d'ingresso C
 - ! **assicurarsi che la temperatura dell'acqua in ingresso non superi i 40°C** (in giornate calde far scorrere l'acqua finché non si è raffreddata, prima di collegare al rubinetto dell'acqua)
- Uso dell'utensile ⑧
 - assicurarsi che l'utensile sia posizionato su una base solida e in posizione verticale
 - collegare l'utensile alla rete d'alimentazione (assicurarsi che l'interruttore di rete F si trovi in posizione spenta)
 - aprire il rubinetto dell'acqua

- premere la sicura A per rilasciare il pulsante di azionamento B
- premere completamente il pulsante di azionamento B per rilasciare l'aria contenuta nell'utensile o nel tubo d'alimentazione dell'acqua
- premere il pulsante di attivazione B e premere la sicura A
- accendere l'utensile premendo il pulsante "I" dell'interruttore di rete F
- dopo averlo acceso, il motore inizia a girare per qualche secondo, fino al raggiungimento della pressione massima
- premere la sicura A, puntare l'ugello spruzzatore G verso l'area da lavare, quindi premere il pulsante di azionamento B
- passare dal getto d'acqua concentrato allo spruzzo ampio, ruotando l'ugello G
- quando si rilascia il pulsante di attivazione B, il motore si ferma dopo qualche secondo, quando è stata raggiunta la pressione massima
- spegnere l'utensile premendo il pulsante "O" dell'interruttore di rete F
- chiudere il rubinetto dell'acqua
- premere completamente il pulsante di attivazione B, finché non c'è più acqua in pressione nell'utensile
- dopo l'uso attivare la sicura A per evitare che il pulsante d'attivazione B venga attivato accidentalmente
- disinserire la spina dalla presa di corrente
- scollegare il tubo d'alimentazione dell'acqua dall'utensile e dal rubinetto dell'acqua
- Uso della bottiglia del detersivo ④
 - ! **assicurarsi che il pulsante di attivazione sia bloccato e l'interruttore di rete si trovi in posizione spenta**
 - svitare la bottiglia H dall'ugello di detergente J e riempirla con detergente biodegradabile adatto per idropulitrici (**l'uso di altri detersivi o sostanze chimiche può influenzare negativamente la sicurezza dell'utensile**)
 - ! **non utilizzare detersivi non diluiti**
 - avvitare la bottiglia di detersivo H sull'ugello J
 - rimuovere la lancia K dalla pistola L e montare l'ugello del detergente J come illustrato
 - premere la sicura A, puntare l'ugello del detergente J verso l'area da lavare, quindi premere il pulsante di azionamento B
 - ! **il detergente non fuoriesce con pressione alta**

CONSIGLIO PRATICO

- Quando si usa la bottiglia del detersivo H
 - ! **leggere l'etichetta del detergente per ulteriori istruzioni**
 - inumidire sempre prima l'oggetto
 - applicare il detergente all'oggetto partendo dal basso
 - lasciar agire il detergente, ma senza farlo asciugare
 - sciacquare dall'alto verso il basso
- Per altri consigli consultare il sito www.skil.com

MANUTENZIONE / ASSISTENZA

- Questo utensile non è inteso per un uso professionale
- **Prima di effettuare la manutenzione, spegnere sempre l'utensile per assicurarsi che non vi sia acqua in pressione nell'utensile e nella pistola, scollegare la spina dalla presa di corrente e scollegare l'utensile dall'alimentazione dell'acqua**
- Tenete sempre puliti utensile e cavo (soprattutto le feritoie di ventilazione S ②)
 - non usare acqua, solventi o sostanze lucidanti
 - pulire regolarmente l'ugello spruzzatore G usando l'ago di pulizia M ⑩ (rimuovere prima la lancia spruzzatrice K dalla pistola L)
- Verificare regolarmente che i componenti non siano usurati o danneggiati e ripararli/sostituirli se necessario
- Pulizia del filtro dell'acqua
 - rimuovere il filtro dell'acqua E ② dal connettore d'ingresso C ② usando una pinza a becchi lunghi
 - sciacquare finché non è pulito e rimontare (sostituire se danneggiato)
- ! **non usare mai l'utensile se il filtro dell'acqua è difettoso**
- Stoccaggio del tagliaspiepe ⑪
 - conservare l'utensile lontano dalla portata di bambini in un luogo in cui la temperatura ambiente non superi i 40°C, né scenda al di sotto di 0°C
 - non appoggiare altri oggetti sopra all'utensile
 - montare il supporto per utensile N in modo sicuro e orizzontale sul muro utilizzando 4 viti (**non fornite**)
 - usare il supporto per utensile N e le fascette porta-utensile P come illustrato
- Se nonostante gli accurati procedimenti di produzione e di controllo l'utensile dovesse guastarsi, la riparazione va fatta effettuare da un punto di assistenza autorizzato per gli elettro utensili SKIL
 - inviare l'utensile **non smontato** assieme alle prove di acquisto al rivenditore oppure al più vicino centro assistenza SKIL (l'indirizzo ed il disegno delle parti di ricambio dell'utensile sono riportati su www.skil.com)

RISOLUZIONE DI PROBLEMI

- La seguente lista elenca sintomi di problemi, possibili cause e misure correttive (se il proprio problema non è identificato e non è possibile correggerlo, si prega di contattare il proprio rivenditore o centro assistenza)
 - ! **spegnere l'utensile ed estrarre la spina dalla presa di corrente prima di cercare di risolvere il problema**
 - ★ Lo spruzzo non è omogeneo
 - ugello parzialmente otturato -> pulire l'ugello
 - ★ Il motore non parte o si arresta improvvisamente
 - presa di corrente difettosa -> usare un'altra presa
 - spina non inserita -> inserire la spina
 - la protezione termica ha spento il motore -> lasciar raffreddare l'utensile per 5 minuti
 - ★ Il motore funziona ma lo spruzzo è limitato
 - ugello completamente otturato -> pulire l'ugello
 - filtro dell'acqua otturato -> pulire il filtro dell'acqua
 - acqua nella pompa -> assicurarsi che il connettore d'ingresso dell'acqua sia collegato correttamente
 - alimentazione dell'acqua inadeguata -> controllare che il rubinetto dell'acqua sia completamente aperto

TUTELA DELL'AMBIENTE

- **Non gettare l'utensile elettrico, gli accessori e l'imballaggio tra i rifiuti domestici** (solo per paesi UE)
 - secondo la Direttiva Europea 2012/19/CE sui rifiuti di utensili elettrici ed elettronici e la sua attuazione in conformità alle norme nazionali, gli utensili elettrici esausti devono essere raccolti separatamente, al fine di essere reimpiagati in modo eco-compatibile
 - il simbolo  vi ricorderà questo fatto quando dovrete eliminarle

DICHIARAZIONE DEI CONFORMITÀ CE

- Assumendone la piena responsabilità, dichiariamo che il prodotto descritto nei "Dati tecnici" è conforme alle seguenti normative ed ai relativi documenti: EN 60335, EN 61000, EN 55014 in base alle prescrizioni delle direttive 2006/95/EG, 2004/108/EG, 2006/42/EG, 2000/14/EG, 2011/65/UE
- **Fascicolo tecnico presso:** SKIL Europe BV (PT-SEU/ENG1), 4825 BD Breda, NL

Marijn van der Hoofden
Operations & Engineering

Olaf Dijkgraaf
Approval Manager



SKIL Europe BV, 4825 BD Breda, NL

26.02.2014

CE10

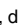

RUMOROSITÀ/VIBRAZIONE

- Misurato in conformità al EN 60704-1 il livello di pressione acustica di questo utensile è 81 dB(A) ed il livello di potenza acustica 93 dB(A) (deviazione standard: 3 dB), e la vibrazione <math> < 2,5 \text{ m/s}^2 </math> (metodo mano-braccio; incertezza K = 1,5 m/s²)
 - Misurato secondo 2000/14/EG il livello di potenza acustica garantito LWA è inferiore a 97 dB(A) (procedimento di valutazione della conformità secondo appendice V)
 - Il livello di emissione delle vibrazioni è stato misurato in conformità a un test standardizzato stabilito dalla norma EN/ISO 5349; questo valore può essere utilizzato per mettere a confronto un l'utensile con un altro o come valutazione preliminare di esposizione alla vibrazione quando si impiega l'utensile per le applicazioni menzionate
 - se si utilizza l'utensile per applicazioni diverse, oppure con accessori differenti o in scarse condizioni, il livello di esposizione potrebbe **augmentare** notevolmente
 - i momenti in cui l'utensile è spento oppure è in funzione ma non viene effettivamente utilizzato per il lavoro, possono contribuire a **ridurre** il livello di esposizione
- ! **proteggersi dagli effetti della vibrazione effettuando la manutenzione dell'utensile e dei relativi accessori, mantenendo le mani calde e organizzando i metodi di lavoro**

H

Nagynyomású mosóberendezés 0760

BEVEZETÉS

- A készüléket felületek, valamint épületek, járműveken és hajókon kívüli tárgyak tisztítására tervezték.
- A készülék csak háztartási célra használható, és vízcseptől eltérő forrásból származó vízzel nem működtethető.
- A szerszám nem professzionális használatra készült
- **A használat előtt gondosan olvassa el ezt a kézikönyvet és tartsa meg, hogy később is használhassa** 
- **Kísérje különös figyelemmel a biztonsági utasításokat és figyelmeztetéseket; ennek elmulasztása súlyos sérülést okozhat**
- Ellenőrizze, hogy a csomag tartalmazza-e az ábrán látható összes alkatrészt 
- Hiányzó vagy sérült alkatrészt esetén forduljon a kereskedőhöz

MŰSZAKI ADATOK

Üzemi nyomás (P)	7 MPa
Maximális üzemi nyomás (Pmax)	10 MPa
Belépőnyomás	0 - 0,6 MPa

SZERSZÁMGÉP ELEMEI

- A Kapcsolózár
- B Kapcsoló
- C Bemenő csatlakozó
- D Vízbevezető
- E Vízszűrő
- F Hálózati kapcsoló
- G Szűrőfej
- H Mosószertartály
- J Mosószer szűrőfej
- K Szűrőcső
- L Kézi tisztoly
- M Tisztítótű
- N Tároló sín (**csavar nélkül**)
- P Tárolószij (2)
- Q Nagynyomású tömlő
- R Vízkivezető nyílás
- S Szellőzőnyílások
- T Tárolószij-csatlakozó

BIZTONSÁG

ÁLTALÁNOS TUDNIVALÓK

- A szerszámot és tartozékait kizárólag ezen használati utasítás alapján használja, és csak rendeltetésük szerint; olyan műveletek, melyek a szerszám normális használatától eltérőek, veszélyes helyzetet eredményezhetnek
- **Soha ne szíjon fel hígítószeret tartalmazó folyadékokat, hígítatlan savakat vagy oldószereket (például benzint, festékkihígítót, fűtőolajat);** ezek a folyadékok rendkívül gyúlékony, robbanékony és mérgező gőzöket keltenek, és a készülék alkatrészeinek korrodálását idézik elő

- Csak akkor használja a készüléket, ha a környezeti hőmérséklet 0°C és 40°C között van
- **Csak akkor kezdje meg a munkát, ha a készülék és az üzemi berendezés tökéletes állapotban van és biztonságosan működik**
- Ügyeljen a visszarúgó erőkre, amelyek a nagynyomású mosóberendezés bekapcsolásakor lépnek fel; tartsa erősen a kézi pisztolyt és a szórócsövet, és vegyen fel biztonságos testtartást
- Ne rögzítse a kapcsolót működés közben
- **Ne irányítsa a vízugarat emberek, állatok, feszültség alatt lévő elektromos berendezések vagy maga a berendezés felé** ④
- A motor működése közben ne hagyja a készüléket felügyelet nélkül
- Ne működtesse a készüléket robbanásveszélyes környezetben
- **A tartozékok beállítása, tisztítása vagy cseréje előtt mindig kapcsolja ki a készüléket, húzza ki a csatlakozódugót a csatlakozóaljzatból, és gondoskodjon arról, hogy ne legyen víznyomás a készülékben és a kézi pisztolyban**

SEMÉLYI BIZTONSÁGI ELŐÍRÁSOK

- Ezt a szerszámot nem tervezték hiányos fizikai, szenzoriális vagy értelmi képességekkel rendelkező személyek (beleértve a gyerekeket), illetve tudással és tapasztalattal nem rendelkező személyek által történő használatra, hacsak ezen személyek számára nem biztosítanak a szerszám használatára vonatkozó kiképzést, illetőleg felügyeletet, egy erre megbízott, a biztonságukért felelős személy által
- Zárja ki annak lehetőségét, hogy a gyerekek játszhatnak a szerszámmal
- A felfreccsenő vízzel szembeni védelem érdekében viseljen megfelelő védőruhát
- **Csak akkor használja a készüléket más emberek közelében, ha ők is védőruhát viselnek**
- Ne permetezzen aszetszet vagy más egészségére ártalmas szereket tartalmazó anyagokat
- A gumiabroncsok/tömlőszelepek tisztítását legalább 30 cm távolságból végezze a sérülések elkerülése érdekében (a sérült járműabroncsok halálos balesetekhez vezethetnek)
- **Ruhája vagy lábbelije megtisztítása céljából ne irányítsa a vízugarat önmagával vagy másokkal szemben**

VÍZELLÁTÁS

- **Csak a készülékhez mellékelt nagynyomású tömlőt és csatlakozót használja**
- Haladéktalanul cserélje ki a sérült nagynyomású tömlőt (azonos típusúra)
- Ne hajlítsa meg a nagynyomású tömlőt, vagy ne hajtson rá gépjárművel
- Vigyázzon, hogy a nagynyomású tömlő ne érjen éles peremekhez vagy sarkokhoz
- Gondoskodjon arról, hogy a csatlakozó tömlők megfelelő tömítésű kötésekkel rendelkezzenek
- **Ne felejtse el, hogy a készülékből kipermetezett víz nem itható**
- Az érvényes előírások alapján a készüléket soha nem szabad rendszer-elválasztó nélkül az ivóvízhálózatban üzemeltetni ⑤; használja EN 12729 BA típusnak megfelelő rendszer-elválasztót

ELEKTROMOS BIZTONSÁGI ELŐÍRÁSOK

- Mindig ellenőrizze, hogy a hálózati feszültség megegyezik-e a gép adattábláján feltüntetett értékkel (a 230V vagy 240V jelzésű gépek 220V feszültségre is csatlakoztathatók)
- A szerszámgépet rövidzárlati (FI) áramkör-megszakítón keresztül csatlakoztassa, melynek kioldóárama maximum 30 mA
- Gondoskodjon a munkaterületen lévő áramvezető alkatrészek felfreccsenő vízzel szembeni védelméről
- Tartsa szárazon és a földtől távol a kábelcsatlakozókat
- Rendszeresen vizsgálja meg a kábelt, és cseréltesse ki szakértő által ha sérült
- Ne terhelje túl, ne zúzza össze és ne húzza a (hosszabbító) vezetékét
- Tartsa távol a (hosszabbító) vezetékét hőtől, olajtól és éles peremektől
- Csakis kültéri használatra gyártott hosszabbító kábelt használjon, amely víz ellen védett dugasszal és dugaszolóaljzattal rendelkezik
- Használjon teljesen letekert és biztonságos hosszabbítókábelt, 16 A-es teljesítménnyel
- Maximum 20 méteres (1,5 mm²) vagy 50 méteres (2,5 mm²) hosszabbítót használjon
- Vizsgálja meg rendszeresen a hosszabbítót, és cserélje ki, ha megsérült **(a hibás hosszabbító veszélyes lehet)**
- Ne érintse meg vizes kézzel a hálózati csatlakozódugót
- Mindig kapcsolja le a gépet és húzza ki a tápcsatlakozó dugaszt a tápforrásból, ha a tápvezeték vagy hosszabbító elszakadt, megsérült vagy összegabalyodott **(ne érjen a tápkábelhez, amíg a dugaszt ki nem húzza)**

KEZELÉS

- Összeszerelési útmutató ⑥
 - a rajzokon szereplő számok sorrendje megfelel a nagynyomású mosóberendezés összeszerelésékor végrehajtandó lépések sorrendjének
 - biztonsági óvintézkedésként nyomja meg a A kapcsolózárát, nehogy a B kapcsoló véletlenül működésbe lépjen
- Csatlakoztatás a vízellátó hálózatra ⑦
 - csavarozza a C bemenő csatlakozót a D vízbevezetőre
 - ! **ne használja a C bemenő csatlakozót a E vízszűrő nélkül**
 - csatlakoztassa a vízellátó tömlőt (nem tartozék) a vízcsapra és a C bemenő csatlakozóra
 - ! **ügyeljen arra, hogy a belépő víz hőmérséklete ne haladja meg a 40°C-ot** (meleg napokon a vízcsaphoz történő csatlakoztatás előtt folyassa ki a vizet, amíg az le nem hűl)
- A gép üzemeltetése ⑧
 - gondoskodjon a készülék szilárd alapon és függőleges helyzetben történő elhelyezéséről
 - csatlakoztassa a készüléket a hálózatra (ügyeljen arra, hogy a F hálózati kapcsoló KI helyzetben legyen)
 - nyissa ki a vízcsapot
 - nyomja meg a A kapcsolózárát a B kapcsoló kioldásához

- nyomja meg teljesen a B kapcsolót, hogy távozhasson a készülékben vagy a vízellátó tömlőben rekedt levegő
- engedje el a B kapcsolót és nyomja meg a A kapcsolózárát
- kapcsolja be a készüléket a F hálózati kapcsoló "I" gombjának megnyomásával
- a bekapcsolás után a motor néhány másodpercre működésbe lép a maximális nyomás eléréseig
- nyomja meg a A kapcsolózárát, irányítsa a G szórófejet a lemosandó felületre, majd pedig nyomja meg a B kapcsolót
- a G szórófej elfordításával válthat át az erős vízugárról a gyengébb, széles permetezésre
- a B kapcsoló elengedésekor a motor néhány másodperc elteltével leáll a maximális nyomás elérésekor
- kapcsolja ki a készüléket a F hálózati kapcsoló "O" gombjának megnyomásával
- zárja el a vízcsapot
- nyomja meg teljesen a B kapcsolót, amíg megszűnik a víznyomás a készülékben
- használat után nyomja meg a A kapcsolózárát, nehogy a B kapcsoló véletlenül működésbe lépjen
- húzza ki a kábel dugaszát a csatlakozó aljzatból
- csatlakoztassa le a vízellátó tömlőt a készülékről és a vízcsapról
- A mosószertartály használata ⑨
 - ! **ügyeljen arra, hogy a kapcsoló zárva, a hálózati kapcsoló pedig KI helyzetben legyen**
 - csavarozza le a H tartályt a J mosószert szórófejről, majd pedig tölts fel nagynyomású mosáshoz alkalmas, biológiailag lebomló mosószerttel (**más mosószerek vagy vegyszerek használata kedvezőtlenül befolyásolhatja a készülék biztonságát**)
 - ! **ne használjon hígítatlan mosószereket**
 - csavarozza a feltöltött H tartályt a J mosószert szórófejre
 - vegye le a K szórócsövet a L kézi pisztolyról, és szerelje fel a helyére a J mosószert szórófejet az ábra szerint
 - nyomja meg a A kapcsolózárát, irányítsa a J mosószert szórófejet a lemosandó felületre, majd pedig nyomja meg a B kapcsolót
 - ! **nagy nyomás esetén a mosószert nem jön ki a készülékből**

HASZNÁLAT

- A H mosószertartály használatokor
 - ! **további utasításokért olvassa el a mosószertes címkét**
 - először mindig nedvesítse be a tárgyat
 - felülről lefelé juttassa a mosószert a tárgyra
 - hagyja hatni a mosószert, de soha ne hagyja megszáradni
 - az öblítést felülről kezdje, és haladjon lefelé
- A www.skil.com címen még több ötletet és javaslatot talál

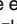
KARBANTARTÁS / SZERVIZ

- A szerszám nem professzionális használatra készült
- **A karbantartás elvégzése előtt mindig kapcsolja ki a készüléket, ügyeljen arra, hogy ne legyen víznyomás a készülékben és a kézi pisztolyban, húzza ki a csatlakozódugót a csatlakozóaljzatból, és kapcsolja le a készüléket a vízellátó hálózatról**
- Mindig tartsa tisztán a gépet és a vezetéket (különös tekintettel a szellőzőnyílásokra S ②)
 - ne használjon vizet, oldószereket vagy fényezőszereket
 - tisztítsa meg rendszeresen a G szórófejet a tisztítótüvel M ⑩ (először vegye ki a K szórócsövet az L kézi pisztolyból)
- Rendszeresen ellenőrizze, hogy nincsenek-e kopott, elhasznált alkatrészek, azokat javíttassa meg, cseréltesse ki szükség szerint
- A vízsűrű tisztítása
 - vegye ki egy hegyes csőrű fogóval a vízsűrűt E ② a bemenő csatlakozóból C ②
 - öblítse tisztára és tegye vissza (cserélje ki, ha sérült)
 - ! **ne használja a készüléket sérült vízsűrűvel**
- Tárolás ⑪
 - gyerekektől távol tárolja a készüléket olyan helyen, ahol a környezeti hőmérséklet nem haladja meg a 40°C-ot vagy nem csökken 0°C alá
 - ne helyezzen más tárgyakat a készülék tetejére
 - a tároló sint N rögzítse a falra 4 csavarral (**nem tartozék**) megfelelően vízszintezve és biztonságosan
 - használja a N tároló sint és a P tárolószijakat az ábra szerint
- Ha a gép a gondos gyártási és ellenőrzési eljárás ellenére egyszer mégis meghibásodna, akkor a javítással csak SKIL elektromos kéziszerszám-műhely ügyfélszolgálatát szabad megbízni
 - küldje az **összeszerelt** gépet a vásárlást bizonyító számlával együtt a kereskedő vagy a legközelebbi SKIL szervizállomás címére (a címlista és a gép szervizdiagramja a www.skil.com címen található)

HIBAELEHÁRÍTÁS

- Az alábbi lista a hibajelenségeket, azok lehetséges okait és az elhárítás módját ismerteti (ha ezek között nem található az észlelt hibajelenség, forduljon a márkakereskedőhöz vagy szakszervizhez)
 - ! **a készüléket először kapcsolja ki, majd húzza ki a konnektorból, mielőtt a hiba elhárításába kezdene**
- ★ A permetezés nem egyenletes
 - a szórófej részben eltömődött -> tisztítsa ki a szórófejet
- ★ A motor nem indul be, vagy hirtelen leáll
 - hibás a tápcsatlakozó aljzat -> használjon másik aljzatot
 - a dugasz kihúzódtott -> csatlakoztassa a dugaszt
 - a hővédelem kikapcsolta a motort -> hagyja a készüléket 5 percig lehűlni
- ★ A motor működik, de gyenge a permetezés
 - a szórófej teljesen eltömődött -> tisztítsa ki a szórófejet
 - a vízsűrű eltömődött -> tisztítsa ki a vízsűrűt
 - levegő került a szivattyúba -> ügyeljen a bemenő csatlakozó biztonságos felszerelésére
 - nem megfelelő a vízellátás -> ellenőrizze, hogy teljesen nyitva van-e a vízcsap

KÖRNYEZET

- **Az elektromos kéziszerszámokat, tartozékokat és csomagolást ne dobja a háztartási szemétkébe** (csak EU-országok számára)
 - a használt villamos és elektronikai készülékekről szóló 2012/19/EK irányelv és annak a nemzeti jogba való átültetése szerint az elhasznált elektromos kéziszerszámokat külön kell gyűjteni, és környezetbarát módon újra kell hasznosítani
 - erre emlékeztet a  jelzés, amennyiben felmerül az intézkedésre való igény

MEGFELELŐSÉGI NYILATKOZAT

- Egyedüli felelősséggel kijelentjük, hogy a "Műszaki adatok" alatt leírt termék megfelel a következő szabványoknak, illetve irányadó dokumentumoknak: EN 60335, EN 61000, EN 55014 a 2006/95/EK, 2004/108/EK, 2006/42/EK, 2000/14/EK, 2011/65/EU irányelveknek megfelelően
- **A műszaki dokumentáció a következő helyen található:** SKIL Europe BV (PT-SEU/ENG1), 4825 BD Breda, NL

Marijn van der Hoofden
Operations & Engineering

Olaf Dijkgraaf
Approval Manager



SKIL Europe BV, 4825 BD Breda, NL

26.02.2014



ZAJ/REZGÉS



- Az EN 60704-1 alapján végzett mérések szerint ezen készülék hangnyomás szintje 81dB(A) a hangteljesítmény szintje 93 dB(A) (normál eltérés: 3 dB), a rezgésszám < 2,5 m/s² (kézre-ható érték; szórás K = 1,5 m/s²)
- A 2000/14/EK szabvány szerinti mérések alapján a garantált LWA hangteljesítmény szint alacsonyabb mint 97 dB(A) (a konformitás megállapítási eljárás leírása a V. függelékben található)
- A rezgés-kibocsátási szint mérése az EN/ISO 5349 szabványban meghatározott szabványosított teszttel összhangban történt; ez egy eszköznek egy másik eszközzel történő összehasonlítására, illetve a rezgésnek való kitettség előzetes felmérésére használható fel az eszköznek az említett alkalmazásokra történő felhasználása során
 - az eszköznek eltérő alkalmazásokra, vagy eltérő, illetve rosszul karbantartott tartozékokkal történő felhasználása jelentősen **emelheti** a kitettség szintjét
 - az idő, amikor az eszköz ki van kapcsolva, vagy amikor ugyan működik, de ténylegesen nem végez munkát, jelentősen **csökkentheti** a kitettség szintjét
- ! **az eszköz és tartozékai karbantartásával, kezének melegen tartásával, és munkavégzésének megszervezésével védje meg magát a rezgések hatásaitól**



Titkováč mlčka

0760

ÚVOD

- Tento nástroj je určený pro čištění ploch a předmětů mimo dům, vozidel a člunů
- Tento nástroj je určen pouze pro domácí použití a nebyl navržen pro používání s vodou z jiných zdrojů než z kohoutku
- Tento nástroj není určen k profesionálnímu použití
- **Před použitím si pečlivě přečtěte tento návod s pokyny a si uschovejte jej pro budoucí potřebu** 
- **Zvláštní pozornost věnujte bezpečnostním pokynům a výstrahám; při jejich nedodržení se vystavujete nebezpečí vážného úrazu**
- Zkontrolujte, zda balení obsahuje všechny součásti, jak je zobrazeno na schématu 
- Pokud některé součásti chybí nebo jsou poškozené, obraťte se na prodejce

TECHNICKÁ DATA

Pracovní tlak (P)

7 MPa

Maximální pracovní tlak (Pmax)

10 MPa

Přívodní tlak

0 - 0,6 MPa

SOUČÁSTI NÁSTROJE

- A** Zámek spouště
- B** Spoušť
- C** Přívodní konektor
- D** Přívod vody
- E** Vodní filtr
- F** Vypínač napájení
- G** Rozprašovací tryska
- H** Láhev na čisticí prostředek
- J** Tryska na čisticí prostředek
- K** Rozprašovací trubice
- L** Ruční stříkačka
- M** Čisticí jehla
- N** Skladovací držák (**šrouby nejsou součástí dodávky**)
- P** Skladovací popruh (2)
- Q** Titkováč hadice
- R** Odvod vody
- S** Větrací šterbiny
- T** Připojení pro skladovací popruhy

BEZPEČNOST

OBEČNĚ

- Používejte nástroj a jeho příslušenství v souladu s tímto návodem a způsobem určeným pro tento nástroj; používání nástroje pro jiné úkony než ty, jejichž provádění se u tohoto nástroje běžně předpokládá, může vést k nebezpečným situacím
- **Nikdy nenapouštějte kapalinu obsahující rozpouštědla, neředěné kyseliny či rozpouštědla (např. benzin, ředidla barev nebo topný olej);** tyto kapaliny mohou vytvářet vysoce hořlavé, výbušné a jedovaté páry, a také způsobují korozi součástí nástroje
- Nástroj používejte pouze při teplotách mezi 0°C a 40°C

- **Začněte pracovat pouze tehdy, pokud je nástroj a provozní vybavení v perfektním a bezpečném stavu**
- Nezapomínejte na síly zpětného rázu, ke kterému dochází při spouštění tlakové myčky; držte ruční stříkačku a rozprašovací trubici pevně a zaujměte pevný postoj
- Při práci spoušť nikdy nepřipínejte
- **Vodní paprsek nikdy nesměřujte na jiné osoby, zvířata, elektrická zařízení pod proudem ani na nástroj samotný ④**
- Nástroj nikdy nenechávejte bez dozoru, pokud motor běží
- Nepoužívejte nástroj na místech, kde hrozí nebezpečí výbuchu
- **Před seřizováním, čištěním nebo výměnou příslušenství nástroj vždy vypněte, odpojte zástrčku z elektrické sítě a zajistěte, aby v nástroji ani ruční stříkačce nebyl žádný tlak vody**

BEZPEČNOST OSOB

- Tento nástroj není určený pro používání osobami (včetně dětí) s omezenými fyzickými, smyslovými či mentálními schopnostmi, nebo s nedostatkem zkušeností a vědomostí, pokud na ně není dohlédnuto nebo nedostaly pokyny týkající se zacházení s nástrojem od osoby zodpovědné za jejich bezpečnost
- Postarejte se, aby si děti nehrály s nástrojem
- Noste vhodné oblečení chránící proti stříkající vodě
- **Nepoužívejte nástroj, pokud jsou v blízkosti jiné osoby bez ochranného oblečení**
- Nestříkejte na materiály obsahující azbest nebo na jiné materiály, které obsahují látky, které jsou nebezpečné vašemu zdraví
- Pneumatiky/ventily pneumatik čistěte pouze z minimální vzdálenosti 30 cm, aby nedošlo k jejich poškození (poškozené pneumatiky vozidla mohou vést ke smrtelným nehodám)
- **Nesměřujte paprsek vody proti sobě nebo jiným osobám proto, abyste vyčistili oděv či obuv**

PŘÍVOD VODY

- **Používejte pouze tlakovou hadici a spojku dodávanou s nástrojem**
- Poškozenou tlakovou hadici okamžitě vyměňte (za jinou s totožnými parametry)
- Tlakovou hadici nekrúfte ani přes ni nepřejíždějte motorovými vozidly
- Nevystavujte tlakovou hadici ostrým hranám či rohům
- Zajistěte, aby všechny napojující se hadice měly řádně utěsněná spojení
- **Nezapomínejte, že rozstříkovaná voda generovaná nástrojem není pitná**
- Podle platných předpisů nesmí být nástroj nikdy provozován na vodovodní síti bez systémového oddělovače ⑤; jedná se o vhodný systémový oddělovač odpovídající normě EN 12729 typ BA

ELEKTRICKÁ BEZPEČNOST

- Vždy zkontrolujte, zda je napájecí napětí stejné jako napětí uvedené na typovém štítku nástroje (nářadí určené k napájení 230V nebo 240V lze použít též v síti 220V)
- Zapojte nástroj přes jistič poruchového proudu (FI) se spouštěcím proudem max. 30 mA

- Přesvědčte se, že všechny součásti vedoucí elektrický proud v pracovní oblasti jsou chráněné proti stříkající vodě
- Připojení šňůry musí zůstat suchá a nesmí ležet na zemi
- Pravidelně kontrolujte šňůru a v případě poškození nechte si je kvalifikovaným pracovníkem vyměnit
- Přes (prodlužovací) šňůru nepřejíždějte, nezatěžujte ji ani za ni netahejte
- Chraňte (prodlužovací) šňůru před žárem, olejem a ostrými hranami
- Používejte pouze takovou prodlužovací šňůru, která je určena k venkovnímu použití a je vybavena vodotěsnou zástrčkou a spojovací zásuvkou
- Používejte zcela rozvinutá a bezpečně prodlužovací šňůry o kapacitě 16 ampér
- Používejte pouze prodlužovací kabely s maximální délkou 20 metrů (1,5 mm²) nebo 50 metrů (2,5 mm²)
- Prodlužovací šňůru pravidelně kontrolujte, a pokud je poškozená, vyměňte ji (**nevhodné prodlužovací šňůry mohou být nebezpečné**)
- Nikdy se nedotýkejte zásuvky elektrické sítě mokřímá rukama
- Dojde-li k přeseknutí, poškození nebo zamotání prodlužovacího kabelu napájení, nástroj vždy vypněte a odpojte od zdroje napájení (**před odpojením od napájení se kabelu nedotýkejte**)

OBSLUHA

- Montážní návod ⑥
 - posloupnost čísel na nákresech odpovídá posloupnosti kroků při montáži tlakové hadice
 - jako bezpečnostní opatření stiskněte zámek spouště A, aby nedošlo k náhodné aktivaci spouště B
- Připojení k přívodu vody ⑦
 - našroubujte přívodní konektor C na přívod vody D
 - ! **nikdy nepoužívejte přívodní konektor C bez vodního filtru E**
 - hadici pro přívod vody (nedodává se) připojte ke kohoutku a přívodnímu konektoru C
 - ! **přesvědčte se, že teplota vody nepřesahuje 40 °C** (za horkého dne nechte vodu před připojením ke kohoutku odtéct, aby se ochladila)
- Použití nástroje ⑧
 - přesvědčte se, že se nástroj nachází na pevné ploše ve svislé poloze
 - připojte nástroj k elektrické síti (přesvědčte se, že je vypínač napájení F v poloze vypnutu)
 - otevřete kohoutek
 - stiskněte zámek spouště A a uvolněte spoušť B
 - zcela stiskněte spoušť B a uvolněte z nástroje a přívodní hadice veškerý zachycený vzduch
 - uvolněte spoušť B a stiskněte zámek spouště A
 - zapněte nástroj stisknutím tlačítka "I" vypínače napájení F
 - po zapnutí se na několik sekund spustí motor, dokud se nedosáhne maximálního tlaku
 - stiskněte zámek spouště A, namířte rozprašovací trysku G na plochu, která se má omývat, a zatáhněte za spoušť B
 - přepínejte mezi koncentrovaným vodním paprskem a širokým rozprašováním otáčením trysky G

- po uvolnění spouště B se na několik sekund spustí motor, dokud se nedosáhne maximálního tlaku
- vypněte nástroj stisknutím tlačítka "O" vypínače napájení F
- zavřete kohoutek
- zcela stiskněte spoušť B, dokud v nástroji nezůstane žádný tlak vody
- po použití stiskněte zámek spouště A, aby nedošlo k náhodné aktivaci spouště B
- zástrčku odpojte od zdroje napájení
- odpojte přívodní hadici od nástroje a kohoutku
- Použití láhve na čisticí prostředek ⑨
 - ! **přesvědčte se, že je spoušť zapnutá a vypínač napájení je v poloze vypnuto**
 - odšroubujte láhev H od trysky na čisticí prostředek J a naplňte ji rozložitelným čisticím prostředkem vhodným pro použití v tlakové myčce (**použití jiných čisticích prostředků či chemikálií může nepříznivě ovlivnit bezpečnost nástroje**)
 - ! **nepoužívejte neřaděné čisticí prostředky**
 - našroubujte naplněnou láhev H na trysku na čisticí prostředek J
 - z ruční stříkačky L odstraňte trubici K a nasad'te místo ní trysku na čisticí prostředek J podle obrázku
 - stiskněte zámek spouště A, namiřte trysku na čisticí prostředek J na plochu, která se má omývat, a zatáhněte za spoušť B
 - ! **čisticí prostředek nevyjde pod vysokým tlakem**

NÁVOD K POUŽITÍ

- Při používání láhve na čisticí prostředek H
 - ! **prečtěte si další pokyny na štítku čisticího prostředku**
 - předmět vždy dopředu navlhčete
 - čisticí prostředek aplikujte na předmět zesponu nahoru
 - nechte čisticí prostředek nějakou dobu působit, ale nikdy ho nenechte zaschnout
 - splachovat začněte nahoře a postupujte směrem dolů
- Další tipy najdete na www.skil.com

ÚDRŽBA / SERVIS

- Tento nástroj není určen k profesionálnímu použití
- **Před prováděním údržby nástroj vždy vypněte, přesvědčte se, že v nástroji ani v ruční stříkačce není žádný tlak vody, odpojte zástrčku z elektrické sítě a odpojte nástroj od přívodu vody**
- Nástroj a přívodní šňůru udržujte čisté (zejména větrací štěrbinu S ②)
 - nepoužívejte vodu, rozpouštědla nebo leštidla
 - pravidelně čistete rozprašovací trysku G pomocí čisticí jehly M ⑩ (nejprve z ruční stříkačky L odstraňte rozprašovací trubici K)
- Pravidelně kontrolujte, zda jednotlivé součásti nejsou opotřebované či poškozené, a v případě potřeby je nechte opravit či vyměnit
- Čištění vodního filtru
 - odpojte vodní filtr E ② od přívodního konektoru C ② pomocí dlouhých kleští

- propláchněte ho, aby byl čistý, a nasad'te ho zpět (v případě poškození ho vyměňte)
- ! **nástroj nikdy nepoužívejte s poškozeným vodním filtrem**
- Skladování ⑪
 - nástroj skladujte mimo dosah dětí na místě, kde teplota prostředí nebude přesahovat 40 °C nebo nepoklesne pod 0 °C
 - nepokládejte na nástroj jiné předměty
 - skladovací držák N pevně namontujte na stěnu pomocí 4 šroubů (**nedodávají se s nářadím**) ve vodorovné poloze
 - používejte skladovací držák N a skladovací popruhy P podle obrázku
- Pokud dojde i přes pečlivou výrobu a náročnou kontrolu k poruše nástroje, svěťte provedení opravy autorizovanému servisnímu středisku pro elektronářadí firmy SKIL
 - zašlete nástroj **nerozebraný** spolu s potvrzením o nákupu své prodejně nebo nejbližšímu servisu značky SKIL (adresy a servisní schéma nástroje najdete na www.skil.com)

ŘEŠENÍ PROBLÉMŮ

- Následující seznam uvádí příznaky problémů, možné příčiny a způsoby nápravy (pokud vám k určení problému a jeho vyřešení nepomůže, obraťte se na svého prodejce nebo servis)
 - ! **před zkoumáním problému nářadí vypněte a odpojte ze zásuvky**
 - ★ Rozprašování není pravidelné
 - tryska částečně ucpaná -> vyčistěte trysku
 - ★ Motor se nespustí nebo se náhle zastaví
 - vadná zásuvka zdroje napájení -> použijte jinou zásuvku
 - zástrčka není zapojená -> zapojte zástrčku
 - teplotní ochrana vypnula motor -> nechte nástroj pět minut vychladnout
 - ★ Motor běží, ale rozprašování je slabé
 - tryska zcela ucpaná -> vyčistěte trysku
 - ucpaný vodní filtr -> vyčistěte vodní filtr
 - vzduch v čerpadle -> přesvědčte se, že je přívodní konektor pevně nasazený
 - nedostatečný přívod vody -> zkontrolujte, jestli je kohoutek úplně otevřený

ŽIVOTNÍ PROSTŘEDÍ

- **Elektrické nářadí, doplňky a balení nevyhazujte do komunálního odpadu** (jen pro státy EU)
 - podle evropské směrnice 2012/19/EG o nakládání s použitými elektrickými a elektronickými zařízeními a odpovídajících ustanovení právních předpisů jednotlivých zemí se použitá elektrická nářadí, musí sbírat odděleně od ostatního odpadu a podrobit ekologicky šetrnému recyklování
 - symbol ⑫ na to upozorňuje

PROHLÁŠENÍ O SHODĚ CE

- Prohlašujeme v plné naší zodpovědnosti, že v odstavci "Technická data" popsaný výrobek je v souladu s následujícími normami nebo normativními dokumenty: EN 60335, EN 61000, EN 55014 podle ustanovení směrnice 2006/95/ES, 2004/108/ES, 2006/42/ES, 2000/14/ES, 2011/65/EU
- **Technická dokumentace u:** SKIL Europe BV (PT-SEU/ENG1), 4825 BD Breda, NL

Marijn van der Hoofden
Operations & Engineering

Olaf Dijkgraaf
Approval Manager

SKIL Europe BV, 4825 BD Breda, NL

26.02.2014

CE10

HLUČNOSTI/VIBRACÍ

- Měřeno podle EN 60704-1 číni tlak hlučkové vlny tohoto přístroje 81 dB(A) a dávka hlučnosti 93 dB(A) (standardní odchylka: 3 dB), a vibrací < 2,5 m/s² (metoda ruka-paže; nepřesnost K = 1,5 m/s²)
 - Měřeno podle 2000/14/ES zaručená dávka hlučnosti LWA je nižší než 97 dB(A) (metoda posouzení shody podle dodatku V)
 - Úroveň vibrací byla měřena v souladu se standardizovaným testem podle EN/ISO 5349; je možné ji použít ke srovnání jednoho přístroje s druhým a jako předběžně posouzení vystavování se vibracím při používání přístroje k uvedeným aplikacím
 - používání přístroje k jiným aplikacím nebo s jiným či špatně udržovaným příslušenstvím může zásadně **zvýšit** úroveň vystavení se vibracím
 - doba, kdy je přístroj vypnutý nebo kdy běží, ale ve skutečnosti není využíván, může zásadně **snižit** úroveň vystavení se vibracím
- ! chráňte se před následky vibrací tak, že budete dbát na údržbu přístroje a příslušenství, budete si udržovat teplé ruce a uspořádáte si své pracovní postupy**

TR

Yüksek basınçlı yıkama makinesi 0760

GİRİS

- Bu alet, evlerin, arabaların ve teknelerin dışında bulunan yüzeyleri ve nesnelere temizlemek için tasarlanmıştır
- Bu alet, sadece tüketici kullanımına yöneliktir ve musluk suyundan başka bir kaynaktan gelen suyla çalışmak için tasarlanmamıştır
- Bu alet profesyonel kullanıma yönelik değildir
- **Kullanmadan önce bu kılavuzu dikkatli bir şekilde okuyun ve ileride ihtiyacınız olduğunda kullanmak için saklayın** ③
- **Güvenlik talimatlarına ve uyarılarına özel bir dikkat gösterin; bunlara uyulmaması ciddi yaralanmalarına neden olabilir**

- Ambalajın içinde, çizim ②'de gösterilen tüm parçaların bulunup bulunmadığını kontrol edin
- Parçaların eksik veya hasarlı olması durumunda bayinizle temasa geçin

TEKNİK VERİLER ①

Çalışma basıncı (P)	7 MPa
Maksimum çalışma basıncı (Pmaks)	10 MPa
Giriş basıncı	0 - 0,6 MPa

ALET BİLEŞENLERİ ②

- A Tetik kilidi
- B Tetik
- C Giriş bağlantı parçası
- D Su girişi
- E Su filtresi
- F Ana anahtar
- G Püskürtme başlığı
- H Deterjan tüpü
- J Deterjan başlığı
- K Püskürtücü borusu
- L El tabancası
- M Temizleme teli
- N Saklama rayı (**vidalar ürünle birlikte verilmektedir**)
- P Saklama kayışı (2)
- Q Yüksek basınç hortumu
- R Su çıkışı
- S Havalandırma yuvaları
- T Saklama kayışları için bağlantı

GÜVENLİK

GENEL

- Cihaz ve aksesuarlarını el kitabında açıklanan yönergelere uygun olarak ve yalnızca tasarlandığı amaç doğrultusunda kullanın; cihazın normal olarak kendisinden gerçekleştirilmesi beklenen işlemlerin dışındaki işlemlerde kullanılması, çok tehlikeli sonuçlara neden olabilir
- **Asla solvent içeren sıvıları, sertleştirilmemiş asitleri veya solventleri (ör. benzin, boya incelticileri, ısıtıcı yağ) solumayın;** bu sıvılar son derece yanıcı, patlayıcı ve zehirli püskürtülmüş buhar üretir ve aynı zamanda alet bileşenleri aşındırır
- Aleti sadece ortam sıcaklığı 0°C ile 40°C arasındayken kullanın
- **Çalışmaya, sadece alet ve çalışma donanımı iyi ve çalıştırmak için güvenli durumdayken başlayın**
- Yüksek basınçlı yıkama aletinin çalıştırıldığında oluşan geri tepme gücüne dikkat edin; el tabancasını ve püskürtücü borusunu sıkıca tutun ve sağlam şekilde durun
- Kullanma esnasında asla tetiği yerine kenetlemeyin
- **Su jetini asla diğer insanlara, hayvanlara, elektrik yüklü donanıma veya aletin kendisine doğrultmayın** ④
- Motoru çalışır durumdayken asla aleti gözetimsiz bırakmayın
- Muhtemel patlayıcı ortamlarda aleti çalıştırmayın
- **Ayar ve temizlik işlerinden veya aksesuarları değiştirmeden önce daima aleti kapatın, fişini elektrik prizinden çekin ve aletin içinde basınçlı su olmadığından emin olun**

KİŞİLERİN GÜVENLİĞİ

- Bu alet, güvenliklerinden sorumlu bir kişi tarafından aletin kullanımı ile ilgili gözetim ve açıklama sağlanmadığı takdirde fiziksel, duyuşsal ya da zihinsel olarak gelişmemiş ya da yeterli bilgi ve deneyime sahip olmayan kişiler (çocuklar dahil) tarafından kullanılmamalıdır
- Çocukların aletle oynamasını engelleyin
- Sıçrayan suya karşı korunmak için uygun koruyucu giysiler giyin
- **Koruyucu giysiler giymedikleri sürece aleti diğer insanların yakınında kullanmayın**
- Asbest ve sağlığınız için zararlı olan maddeleri içeren diğer maddeleri püskürtmeyin
- Lastikleri/lastik supaplarını hasar görmelerini önlemek için sadece 30 cm mesafeden temizleyin (hasar gören lastik ölümcül kazalara neden olabilir)
- **Giysileri ve ayakkabıları temizlemek için su jetini kendinize ve başkalarına karşı doğrultmayın**

SU KAYNAĞI

- **Sadece ürünle birlikte verilen yüksek basınç hortumunu ve bağlantı elemanlarını kullanın**
- Hasar gören bir yüksek basınç hortumunu hemen değiştirin (aynı özelliklere sahip)
- Yüksek basınç hortumunu bükmeyin veya üzerinden motorlu araçlarla geçmeyin
- Yüksek basınç hortumunu keskin kenarlara veya köşelere maruz bırakmayın
- Tüm bağlantı hortumlarının tamamen sızdırmaz birleşimleri sahip olduğundan emin olun
- **Alet tarafından üretilen püskürtülmüş suyun içilmez olduğunun bilincinde olun**
- Geçerli talimatlar uyarınca, içme suyu şebekesinde sistem ayırıcısı olmadan alet kesinlikle çalıştırılmamalıdır (5); EN 12729 tip BA uyarınca uygun bir sistem ayırıcısı kullanılmalıdır

ELEKTRİKSEL GÜVENLİK

- Güç geriliminin, aletin özellik plakasında belirtilen voltaj değeriyle aynı olduğunu sık sık kontrol edin (230V veya 240V aletler 220V kaynağa bağlanabilir)
- Aleti en fazla 30 mA tetikleme akımında kesen akım sigortasına (FI) bağlayarak kullanın
- Çalışma alanındaki tüm akım ileten bileşenlerin sıçrayan suya karşı korunduğundan emin olun
- Kablo bağlantılarını kuru ve zeminden uzak tutun
- Düzenli aralıklarla kablosunu kontrol edin ve hasar gören kısımlarını yetkili servis personeli tarafından değiştirilmesini sağlayın
- Kabloyu (uzatma) basmayın, ezmeyin veya çekmeyin
- Kabloyu (uzatma) ısıya, yağa ve sivri cisimlere karşı koruyun
- Yalnızca dış ortamlarda kullanılmak üzere tasarlanmış ve su geçirmez bir fişi olan ek prizli uzatma kablosu kullanın
- Tamamen kusursuz ve güvenli 16 Amp uzatma kabloları kullanın
- Sadece en fazla 20 metre (1,5 mm²) veya 50 metre (2,5 mm²) uzunluğa sahip uzatma kabloları kullanın
- Düzenli aralıklarla uzatma kablosunu inceleyin ve hasar varsa değiştirin (**uygun olmayan uzatma kabloları tehlikeli olabilir**)
- Ana anahtara asla ıslak ellerle dokunmayın

- Elektrik veya uzatma kablosunun kesilmesi, zarar görmesi veya karışması durumunda aleti kapatın ve fişini elektrik kaynağından çekin (**fişi çekmeden önce kabloya dokunmayın**)

KULLANIM

- Montaj talimatları (6)
 - çizimdeki sayıların sırası yüksek basınçlı yıkama makinesinin montajı için izlenmesi gereken adımları göstermektedir
 - bir emniyet önlemi olarak tetiğin B yanlışlıkla etkinleştirilmesini önlemek için tetik kilidine A basın
- Su kaynağına bağlantı (7)
 - giriş bağlantı parçasını C su girişine D takın
 - ! **giriş bağlantı parçasını C asla su filtresi E olmadan kullanmayın**
 - su kaynağı hortumunu (ürünle birlikte verilmez) su musluğuna ve giriş bağlantı parçasına C takın
 - ! **gelen suyun sıcaklığının 40°C'yi geçmediğinden emin olun** (sıcak günlerde su musluğuna bağlantı yapmadan önce soğuyana kadar suyu akıtın)
- Aletin çalıştırılması (8)
 - aletin sağlam bir yere ve dik konumda yerleştirildiğinden emin olun
 - aleti şehir elektriğine bağlayın (ana anahtarın F kapalı konumda olduğundan emin olun)
 - musluğu açın
 - tetiği B serbest bırakmak için tetik kilidine A basın
 - hapsolmuş tüm havayı aletten veya su kaynağı hortumundan çıkarmak için tetiği B tam olarak basın
 - tetiği B bırakın ve tetik kilidine A basın
 - ana anahtarın F "I" düğmesine basarak aleti açın
 - aleti açtıktan sonra motor, maksimum basınca ulaşılana kadar birkaç saniye süreyle çalışmaya başlar
 - tetik kilidine A basın, püskürtme başlığını G yikanacak bölgeye doğrultun ve ardından tetiği B çekin
 - başlığı çevirerek toplu su jetinden geniş bir püskürtmeye geçebilirsiniz G
 - tetiğin B bırakılmasıyla maksimum basınca ulaşıldığında birkaç saniye sonra motorun çalışması durur
 - ana anahtarın F "O" düğmesine basarak aleti kapatın
 - musluğu kapatın
 - Aletin içinde su basıncı kalmayana kadar tetiği B tamamen basın
 - kullanımdan sonra tetiğin B yanlışlıkla etkinleştirilmesini önlemek için tetik kilidine A basın
 - fişini elektrik kaynağından çekin
 - su kaynağı hortumunu aletten ve musluktan çıkarın
- Deterjan tüpünün (9) kullanılması
 - ! **tetiğin kilitti olduğundan ve ana anahtarın kapalı konumda olduğundan emin olun**
 - tüpü H deterjan başlığından J çevirerek çıkarın ve yüksek basınçlı yıkama makinesi uygulaması için uygun toprakta çözünebilir deterjanla doldurun (**diğer deterjanların veya kimyasalların kullanılması aletin güvenliğini olumsuz olarak etkileyebilir**)
 - ! **seyretilmemiş deterjanları kullanmayın**
 - dolu tüpü H deterjan başlığına J çevirerek takın
 - boruyu K el tabancasından L çıkarın ve deterjan başlığını J gösterildiği şekilde bunun yerine takın

- tetik kilidine A basın, deterjan başlığını J yıkanacak bölgeye doğrultun ve ardından tetiği B çekin
- ! **yüksek basınç altında deterjan çıkışı gerçekleşmez**

UYGULAMA

- Deterjan tüpünü H kullanırken
- ! **ilave talimatlar için deterjan etiketini okuyun**
- daima ilk önce yıkanacak nesneyi ıslatın
- deterjanı nesneye aşağıdan yukarı doğru uygulayın
- deterjanın etkili olması için zaman verin ancak asla kurumaya bırakmayın
- üst taraftan durulamaya başlayın ve aşağıya doğru devam edin
- Daha fazla ipucu için www.skil.com sitesini gezin

BAKIM / SERVİS

- Bu alet profesyonel kullanıma yönelik değildir
- **Bakım işleminden önce daima aleti kapatın, aletin ve el tabancasının içinde su basıncı olmadığından emin olun, fişini elektrik prizinden çekin ve aletin su kaynağına olan bağlantısını çıkarın**
- Aleti ve kablolarını daima temiz tutun (özellikle havalandırma yuvalarını S ②)
 - su, solventler veya parlaticılar kullanmayın
 - temizleme telini M ⑩ kullanarak düzenli aralıklarla püskürtme başlığını G temizleyin (ilk önce püskürtme borusunu K el tabancasından L çıkarın)
- Düzenli aralıklarla parçaları aşınmaya ve hasara karşı kontrol edin ve gerektiğinde onarılmasını/değiştirilmesini sağlayın
- Su filtresinin temizlenmesi
 - su filtresini E ② giriş bağlantı parçasından C ② kargaburnuyla çıkarın
 - durulayarak temizleyin ve yerine takın (hasar görmüşse değiştirin)
- ! **asla aleti hasarlı su filtresiyle kullanmayın**
- Saklama ⑪
 - aleti, ortam sıcaklığının 40°C'yi geçmeyeceği veya 0°C'nin altına düşmeyeceği yerlerde çocukların ulaşamayacağı şekilde saklayın
 - aletin üzerinde başka nesnelere koymayın
 - aleti ambalajıyla birlikte satın alma belgenizde ekleyerek satıcınıza veya en yakın SKIL servisine ulaştırın (adresler ve aletin servis şemaları www.skil.com adresinde listelenmiştir)
- Dikkatli biçimde yürütülen üretim ve test yöntemlerine rağmen aleti arıza yapacak olursa, onarım SKIL elektrikli aletleri için yetkili bir serviste yapılmalıdır
- aleti ambalajıyla birlikte satın alma belgenizde ekleyerek satıcınıza veya en yakın SKIL servisine ulaştırın (adresler ve aletin servis şemaları www.skil.com adresinde listelenmiştir)

SORUN GİDERME

- Aşağıdaki liste, sorunların belirtilerini, muhtemel nedenlerini ve düzeltici eylemleri gösterir (bunlar sorunu belirlemez ve düzeltmezse satıcınıza veya servisle iletişime geçin)
- ! **sorunu araştırmadan önce aleti kapatın ve fişini prizden çekin**

- ★ Püskürtme işlemi sürekli değil
 - başlık kısmı olarak tıkalı -> başlığı temizleyin
- ★ Birden motor çalışmıyor veya durmuyor
 - güç kaynağı prizi anızası -> başka priz kullanın
 - fiş takılı değil -> fişi takın
 - termal koruma motoru kapatmış -> 5 dakika süreyle aletin soğumasını bekleyin
- ★ Motor çalışıyor ancak püskürtme zayıf
 - başlık tamamen tıkalı -> başlığı temizleyin
 - su filtresi tıkalı -> su filtresini temizleyin
 - pompada hava var -> su girişi bağlantı parçasının tam olarak takıldığından emin olun
 - yetersiz su beslemesi -> musluğun tamamen açık olduğunu kontrol edin

ÇEVRE

- **Elektrikli aletlerini, aksesuarları ve ambalajları evdeki çöp kutusuna atmayınız** (sadece AB ülkeleri için)
 - kullanılmış elektrikli aletleri, elektrik ve elektrikli eski cihazlar hakkındaki 2012/19/EC Avrupa yönergelerine göre ve bu yönergeler ulusal hukuk kurallarına göre uyarlanarak, ayrı olarak toplanmalı ve çevre şartlarına uygun bir şekilde tekrar değerlendirilmeye gönderilmelidir
 - sembol ⑫ size bunu anımsatmalıdır

UYGUNLUK BEYANI CE

- Tek sorumlu olarak "Teknik veriler" bölümünde tanımlanan ürünün aşağıdaki norm veya normatif belgelere uygunluğunu beyan ederiz: EN 60335, EN 61000, EN 55014 yönetmeliği hükümleri uyarınca 2006/95/EG, 2004/108/EG, 2006/42/EG, 2000/14/EG, 2011/65/EU
- **Teknik belgelerin bulunduğu merkez:** SKIL Europe BV (PT-SEU/ENG1), 4825 BD Breda, NL

Marijn van der Hoofden
Operations & Engineering

Olaf Dijkgraaf
Approval Manager

SKIL Europe BV, 4825 BD Breda, NL

26.02.2014

CE10

GÜRÜLTÜ/TİTREŞİM

- Ölçülen EN 60704-1 göre ses basıncı bu makinanın seviyesi 81dB(A) ve çalışma sırasındaki gürültü 93 dB(A) (standart sapma: 3 dB), ve titreşim < 2,5 m/s² (el-kol metodu; tolerans K = 1,5 m/s²)
- Ölçülen 2000/14/EG göre güvenceli ses gücü düzeyi LWA 97 dB(A) değerinden daha düşüktür (uygunluğa ilişkin değerlendirme yöntemi Ek V'e göredir)
- Titreşim emisyon seviyesi EN/ISO 5349'te sunulan standart teste göre ölçülmüştür; bu seviye, bir aleti bir başkasıyla karşılaştırmak amacıyla ve aletin söz konusu uygulamalarda kullanılması sırasında titreşime maruz kalma derecesinin ön değerlendirmesi olarak kullanılabilir

- aletin farklı uygulamalar için veya farklı ya da bakımı yetersiz yapılmış aksesuarlarla kullanılması, maruz kalma seviyesini belirgin biçimde **artrabilir**
- aletin kapalı olduğu veya çalıştığı ancak gerçek anlamda iş yapmadığı zamanlarda, maruz kalma seviyesi belirgin biçimde **azalabilir**
- ! **aletin ve aksesuarlarının bakımını yaparak, ellerinizi sıcak tutarak ve iş modellerinizi düzenleyerek kendinizi titreşimin etkilerinden koruyun**

PL

Myjka ciśnieniowa

0760

WSTĘP

- To narzędzie zostało zaprojektowane do czyszczenia terenów i obiektów w okolicy domu, pojazdów i todzi
- To narzędzie jest przeznaczone do użytku domowego i nie zostało zaprojektowane do obsługi źródeł wody innych niż kran
- Narzędzie nie jest przeznaczone do zastosowań profesjonalnych
- **Proszę dokładnie przeczytać niniejszą instrukcję przed rozpoczęciem eksploatacji i zachować ją na przyszłość** ③
- **Proszę zwrócić szczególną uwagę na instrukcje i ostrzeżenia odnoszące się do bezpieczeństwa obsługi; ich nieprzestrzeganie może prowadzić do poważnego uszkodzenia**
- Należy sprawdzić, czy opakowanie zawiera wszystkie części pokazane na rysunku ②
- W razie braku lub uszkodzenia części, skontaktuj się dealerem

DANE TECHNICZNE ①

Ciśnienie robocze (P)	7 MPa
Maksymalne ciśnienie robocze (Pmax)	10 MPa
Ciśnienie wlotowe	0–0,6 MPa

ELEMENTY NARZĘDZIA ②

- A Blokada włącznika
- B Włącznik
- C Złącze wlotu
- D Wlot wody
- E Filtr wody
- F Przełącznik główny
- G Dysza ciśnieniowa
- H Butelka z detergentem
- J Dysza detergentu
- K Lanca ciśnieniowa
- L Pistolet
- M Igła czyszcząca
- N Szyna do zawieszania (śruby nie są dostarczane wraz z narzędziem)
- P Pasek do zawieszania (2)
- Q Wąż ciśnieniowy
- R Wylot wody
- S Szczeliny wentylacyjne
- T Zaczep pasków do zawieszania

BEZPIECZEŃSTWO

OGÓLNE

- Urządzenia i akcesoriów używać zgodnie z ich przeznaczeniem i wskazówkami zawartymi w niniejszej instrukcji; stosowanie niniejszego urządzenia niezgodnie z przeznaczeniem może spowodować zagrożenie
- **Nie należy pobierać płynów zawierających rozpuszczalnik, nierozcieńczonych kwasów i rozpuszczalników (np. benzyny, rozcieńczalników farby, oleju opałowego);** płyny te tworzą wysoce palną, wybuchową i toksyczną mgłę, a ponadto przyczyniają się do korozji elementów narzędzia
- Narzędzia należy używać wyłącznie w temperaturze 0–40°C
- **Pracę z urządzeniem należy rozpoczynać jedynie w sytuacji, gdy urządzenie i jego osprzęt znajdują się w stanie idealnym oraz występują warunki do bezpiecznej pracy**
- Należy pamiętać o zjawisku odrzutu, pojawiającym się podczas włączania myjki ciśnieniowej; należy przyjąć bezpieczną postawę oraz mocno trzymać pistolet i lancę
- Nie należy blokować włącznika w pozycji włączonej
- **Nie należy kierować strumienia wody w kierunku innych osób, zwierząt, włączonych urządzeń elektrycznych i samego urządzenia** ④
- Nie należy pozostawiać włączonego urządzenia bez opieki
- Nie należy używać urządzenia w miejscach zagrożonych wybuchem
- **Przed rozpoczęciem regulacji, czyszczenia lub wymiany akcesoriów należy wyłączyć urządzenie, odłączyć je od gniazdka i upewnić się, że urządzeniu i pistoletowi nie znajduje się woda pod ciśnieniem**

BEZPIECZEŃSTWO OSÓB

- To urządzenie nie może być obsługiwane przez osoby (włącznie z dziećmi) o obniżonych zdolnościach fizycznych, sensorycznych lub umysłowych, nieposiadające stosownego doświadczenia i wiedzy, chyba że używają go pod nadzorem osoby odpowiedzialnej za ich bezpieczeństwo lub zostały przez nią odpowiednio poinstruowane w zakresie obsługi urządzenia
 - Upewnić się, że dzieci nie bawią się urządzeniem
 - Należy nosić odzież chroniącą przed rozpryskami wody
 - **Nie należy używać urządzenia, jeśli w jego pobliżu znajdują się osoby niewyposażone w odzież ochronną**
 - Nie należy rozpylać materiałów zawierających azbest i inne substancje niebezpieczne dla zdrowia
 - Opony i wentyle opon należy czyścić z odległości co najmniej 30 cm, aby zapobiec ich uszkodzeniom (uszkodzenie opony pojazdu grozi wypadkiem)
 - **Nie należy kierować strumienia wodnego w stronę swojej lub innych osób w celu wyczyszczenia odzieży lub obuwia**
- ### ŹRÓDŁO WODY
- **Należy używać jedynie węża ciśnieniowego i przegubów dołączonych do urządzenia**
 - Uszkodzony wąż ciśnieniowy należy natychmiast wymienić na nowy o identycznej specyfikacji

- Nie należy załamywać węża i przejeżdżać po nim pojazdem silnikowym
- Nie należy wystawiać węża ciśnieniowego na kontakt z ostrymi krawędziami i narożnikami
- Należy upewnić się, że złączenia wszystkich węży dostarczających wodę są odpowiednio szczelne
- **Należy pamiętać, że mgła wodna wytwarzana przez narzędzie nie nadaje się do picia**
- Zgodnie z obowiązującymi przepisami narzędzie nigdy nie może być używane bez odłącznika systemowego przy sieci wodociągowej ⑤; należy używać odpowiedniego odłącznika systemowego zgodnego z EN 12729, typ BA

BEZPIECZEŃSTWO ELEKTRYCZNE

- Każdorazowo należy sprawdzać, czy napięcie zasilania jest zgodne z napięciem podanym na tabliczce znamionowej urządzenia (narzędzia na napięcie znamionowe 230V lub 240V zasilac można także napięciem 220V)
- Połączyć narzędzie za pośrednictwem wyłącznika prądu zakłócenia (FI) wyzwalanego prądem o natężeniu co najmniej 30 mA
- Należy upewnić się, że elementy przewodzące prąd w obszarze roboczym są chronione przed rozpryskami wody
- Połączenia kabli należy utrzymywać z dala od wilgoci i podłoża
- Regularnie sprawdzać kabel i zleć jego wymianę wykwalifikowanej osobie w przypadku uszkodzenia
- Nie należy deptać ani zgniatać przewodu (przedłużacza), jak również ciągnąć za niego
- Należy trzymać przewód (przedłużacz) z dala od źródeł ciepła, oleju oraz ostrych krawędzi
- Należy stosować wyłącznie przedłużacze przystosowane do użycia na dworze, wyposażone w wodoszczelne gniazdo sprężające
- W przypadku korzystania z kabla przedłużającego należy zwrócić uwagę, aby był maksymalnie nawinięty na bęben oraz był przystosowany do przewodzenia prądu o natężeniu przynajmniej 16 A
- Należy używać wyłącznie przedłużaczy o maksymalnej długości 20 m (1,5 mm²) lub 50 m (2,5 mm²)
- Należy regularnie sprawdzać przedłużacz i wymienić go w razie stwierdzenia uszkodzeń (**wadliwe przedłużacze mogą stwarzać zagrożenie**)
- Nie należy dotykać wtyczki w gniazdku mokrymi dłońmi
- Narzędzie należy wyłączyć i wyjąć wtyczkę z gniazda sieciowego, jeśli kabel zasilający lub przedłużacz został przecięty, uszkodzony lub się zaplałat (**kabla nie wolno dotykać przed wyjęciem wtyczki**)

UŻYTKOWANIE

- Instrukcja montażu ⑥
 - kolejność numerów podanych na rysunku odpowiada kolejności kroków, które należy wykonać podczas montażu myjki ciśnieniowej
 - w celu zapewnienia bezpieczeństwa należy nacisnąć blokadę włącznika A, co zapobiega przypadkowemu naciśnięciu włącznika B

- Połączenie ze źródłem wody ⑦
 - Wkręć złącze wlotu C do wlotu wody D
 - ! **nie należy używać złącz wlotu C bez filtra wody E**
 - podłączyć wąż dostarczający wodę do kranu i złącza wlotu C
 - ! **upewnić się, że temperatura wody z kranu nie przekracza 40°C** (w gorące dni odkręcić wodę i poczekać na jej ochłodzenie przed podłączeniem do kranu węża)
- Obsługa narzędzia ⑧
 - upewnić się, że urządzenie znajduje się na solidnej podstawie w pozycji pionowej
 - podłączyć urządzenie do gniazdka (upewniając się, że przełącznik główny F jest wyłączony)
 - odkręcić kran
 - nacisnąć blokadę włącznika A, aby zwolnić włącznik B
 - wcisnąć do końca włącznik B, aby usunąć z narzędzia i węża dostarczającego wodę pozostałe powietrze
 - zwolnić włącznik B, a następnie włączyć go ponownie A
 - włączyć urządzenie, naciskając przycisk "I" przełącznika F
 - po włączeniu urządzenia silnik będzie pracował przez kilka sekund, do momentu osiągnięcia maksymalnego ciśnienia
 - nacisnąć blokadę włącznika A, skierować dyszę G na obszar przeznaczony do umycia, a następnie nacisnąć włącznik B
 - Wyboru pomiędzy skupionym strumieniem wody i mgłą wodną można dokonać, obracając dyszę G
 - po zwolnieniu włącznika B silnik zatrzyma się po kilku sekundach i osiągnięciu maksymalnego ciśnienia
 - wyłączyć urządzenie, naciskając przycisk "O" przełącznika F
 - zakręcić kran
 - wcisnąć włącznik B do końca i przytrzymać go do momentu zwolnienia całego ciśnienia wody w urządzeniu
 - po zakończeniu korzystania z urządzenia należy nacisnąć blokadę włącznika A, co zapobiega przypadkowemu naciśnięciu włącznika B
 - wyjmować wtyczkę z gniazda sieciowego
 - odłączyć wąż od urządzenia i kranu
- Zastosowanie butelki z detergentem ⑨
 - ! **upewnić się, że włącznik jest zablokowany, a przełącznik główny wyłączony**
 - wykręcić butelkę H z dyszy detergentu J i napełnić ją biodegradowalnym detergentem przeznaczonym do zastosowania w myjkach ciśnieniowych (**zastosowanie innych detergentów lub środków chemicznych może negatywnie wpłynąć bezpieczeństwo urządzenia**)
 - ! **nie używać detergentów nierozcieńczonych**
 - wkręcić napełnioną butelkę H w dyszę detergentu J
 - wyjąć lancę K z pistoletu L i zamontować zamiast niej dyszę detergentu J, tak jak przedstawiono na ilustracji
 - nacisnąć blokadę włącznika A, skierować dyszę J na obszar przeznaczony do umycia, a następnie nacisnąć włącznik B
 - ! **detergent nie wydobywa się z urządzenia pod wysokim ciśnieniem**

WSKAZÓWKI UŻYTKOWANIA

- W przypadku korzystania z butelki z detergentem H należy
! przeczytać etykietę detergentu i stosować się do zamieszczonych na niej instrukcji
 - zawsze najpierw zmoczyć myty obiekt
 - nakładać detergent na obiekt z góry na dół
 - dać detergentowi czas na działanie, lecz nie pozwolić mu wyschnąć
 - zmywać detergent począwszy od góry i posuwać się w dół
- Więcej wskazówek można znaleźć pod adresem www.skil.com

KONSERWACJA / SERWIS

- Narzędzie nie jest przeznaczone do zastosowań profesjonalnych
- **Przed rozpoczęciem konserwacji należy wyłączyć urządzenie, upewnić się, że w urządzeniu i pistolecie nie znajduje się woda pod ciśnieniem, odłączyć wtyczkę od zasilania i odłączyć urządzenie od źródła wody**
- Zawsze dbać o czystość narzędzia i przewodu zasilającego (a szczególnie otworów wentylacyjnych S ②)
 - nie używać wody, rozpuszczalników i środków nabyliczających
 - regularnie czyścić dyszę G przy użyciu igły czyszczącej M ⑩ (przed rozpoczęciem czyszczenia wyjąć lancę K z pistoletu L)
- Należy regularnie sprawdzać narzędzie pod kątem zużytych lub uszkodzonych elementów i wymienić je lub naprawić w razie potrzeby
- Czyszczenie filtra wody
 - wyjąć filtr wody E ② ze złącza wlotu C ② przy użyciu obciążków
 - przepłukać filtr do czysta i włożyć go z powrotem do urządzenia (lub wymienić na nowy, jeśli uległ uszkodzeniu)**! nie należy używać urządzenia w przypadku uszkodzenia filtra wody**
- Przechowywanie ⑪
 - przechowywać narzędzie poza zasięgiem dzieci, w miejscu, którego temperatura mieści się w zakresie 0–40°C
 - nie ustawiać innych obiektów na narzędziu
 - należy stabilnie zamocować szynę do zawieszania N na ścianie przy użyciu 4 śrub (**niedostarczane wraz z narzędziem**) i wypoziomować ją
 - stosować szynę N i paski do zawieszania P zgodnie z ilustracją
- Jeśli narzędzie, mimo dokładnej i wszechstronnej kontroli produkcyjnej ulegnie kiedykolwiek awarii, naprawę powinien przeprowadzić autoryzowany serwis elektronarzędzi firmy SKIL
 - odesłać **nierozebrany** narzędzie, wraz z dowodem zakupu, do dealera lub do najbliższego punktu usługowego SKIL (adresy oraz diagram serwisowy narzędzenia znajdują się na stronach www.skil.com)

ROZWIĄZYWANIE PROBLEMÓW

- Podana lista zawiera opis objawów problemów, ich możliwych przyczyn oraz działań naprawczych (jeśli w ten sposób nie można zidentyfikować i usunąć problemu, należy skontaktować się z dystrybutorem lub punktem serwisowym)
! przed przystąpieniem do rozwiązywania problemu należy wyłączyć narzędzie i wyciągnąć wtyczkę z gniazda sieciowego
- ★ Mgła ma niejednorodną konsystencję
 - częściowo zablokowana dysza -> wyczyścić dyszę
- ★ Silnik nie uruchamia się lub gwałtownie się wyłącza
 - wadliwe gniazdo sieciowe -> należy użyć innego gniazda
 - wtyczka nie jest podłączona -> należy podłączyć ją do gniazda sieciowego
 - mechanizm ochrony przed przegrzaniem wyłączył silnik -> zostawić urządzenie na 5 minut i pozwolić mu ostygnąć
- ★ Silnik działa, lecz urządzenie nie tworzy odpowiedniej mgły
 - całkowicie zablokowana dysza -> wyczyścić dyszę
 - zatkany filtr wody -> wyczyścić filtr wody
 - powietrze w pompie -> upewnić się, że złącze wlotu wody zostało prawidłowo zamocowane
 - nieodpowiedni dopływ wody -> upewnić się, że kran jest całkowicie odkręcony

ŚRODOWISKO

- **Nie wyrzucaj elektronarzędzi, akcesoriów i opakowania wraz z odpadami z gospodarstwa domowego** (dotyczy tylko państw UE)
 - zgodnie z Europejską Dyrektywą 2012/19/WE w sprawie zużytego sprzętu elektrotechnicznego i elektronicznego oraz dostosowaniem jej do prawa krajowego, zużyte elektronarzędzia należy posegregować i zutylizować w sposób przyjazny dla środowiska
 - w przypadku potrzeby pozbycia się narzędzia, akcesoriów i opakowania - symbol ⑫ przypomni Ci o tym

DEKLARACJA ZGODNOŚCI CE

- Oświadczamy z pełną odpowiedzialnością, że produkt, przedstawiony w "Dane techniczne", odpowiada wymaganiom następujących norm i dokumentów normatywnych: EN 60335, EN 61000, EN 55014 zgodnie z wymaganiami dyrektyw 2006/95/EU, 2004/108/EU, 2006/42/EU, 2000/14/EU, 2011/65/EU
- **Dokumentacja techniczna:** SKIL Europe BV (PT-SEU/ENG1), 4825 BD Breda, NL

Marijn van der Hoofden
Operations & Engineering

Olaf Dijkgraaf
Approval Manager

SKIL Europe BV, 4825 BD Breda, NL

26.02.2014

CE10

HAŁASU/WIBRACJE

- Pomiarów dokonano zgodnie z normą EN 60704-1 ciśnienie akustyczne narzędzia wynosi 81dB(A) zaś poziom mocy akustycznej 93 dB(A) (poziom odchylenie: 3 dB), zaś vibracje < 2,5 m/s² (metoda dłoń-ręka; błąd pomiaru K = 1,5 m/s²)
 - Gwarantowany poziom mocy akustycznej LWA mierzony zgodnie z normą 2000/14/WE jest niższy niż 97 dB(A) (sposób oceny zgodności wg załącznika V)
 - Poziom emisji vibracji został zmierzony zgodnie z testem standaryzowanym podanym w EN/ISO 5349; może służyć do porównania jednego narzędzia z innym i jako ocena wstępna narażenia na vibracje w trakcie używania narzędzia do wymienionych zadań
 - używanie narzędzia do innych zadań, lub z innymi albo źle utrzymanymi akcesoriami, może znacząco **zwiększyć** poziom narażenia
 - przypadki, kiedy narzędzie jest wyłączone lub jest czynne, ale aktualnie nie wykonuje zadania, mogą znacząco **zmniejszyć** poziom narażenia
- ! należy chronić się przed skutkami vibracji przez konserwację narzędzia i jego akcesoriów, zakładanie rękawic i właściwą organizację pracy**

RU

Мойка высокого давления 0760

ВВЕДЕНИЕ

- Данный инструмент предназначен для очистки покрытий и предметов вне помещений, в автомобилях и на лодках
- Данный инструмент предназначен только для домашнего использования в сухих условиях и только для работы с водопроводной водой
- Данный инструмент не подходит для промышленного использования
- **Перед использованием прибора внимательно ознакомьтесь с данной инструкцией и сохраните ее для последующего использования** ③
- **Обратите особое внимание на инструкции по безопасности и предупреждения; нарушение этих инструкций и предупреждений может привести к серьезным повреждениям**
- Проверьте наличие в упаковке всех частей, показанных на рисунке ②
- В случае отсутствия или повреждения деталей обращайтесь в магазин, где был приобретен инструмент

ТЕХНИЧЕСКИЕ ДАННЫЕ ①

Рабочее давление (P)	7 МПа
Максимальное рабочее давление (Pmax)	10 МПа
Давление на впуске	0-0,6 МПа

ДЕТАЛИ ИНСТРУМЕНТА ②

- A Предохранитель спускового механизма
- B Спусковой механизм
- C Впускной штуцер

- D Патрубок подвода воды
- E Водный фильтр
- F Сетевой выключатель
- G Распыляющее сопло
- H Емкость для моющего средства
- J Сопло для моющего средства
- K Распылительная трубка
- L Ручной пистолет
- M Очищающая игла
- N Подвеска для хранения (**винты в комплект поставки не входят**)
- P Ремень для хранения (2)
- Q Шланг высокого давления
- R Водовыпускной патрубок
- S Вентиляционные отверстия
- T Соединитель ремней для хранения

БЕЗОПАСНОСТЬ

ОБЩЕЕ

- Используйте инструмент и насадки в соответствии с данным Руководством и по их назначению; использование инструмента не по назначению может привести к опасной ситуации
 - **Ни в коем случае не заливайте жидкости, содержащие растворители, неразбавленные кислоты или сами растворители (например, бензин, разбавители краски, топочный мазут);** указанные жидкости выделяют при распылении сильногорючий, взрывоопасный и токсический пар, а также могут разъедать детали инструмента
 - Используйте инструмент только при температуре внешней среды от 0 до 40°C
 - **Начинайте работу только в случае, если инструмент и рабочее оборудование не повреждено и безопасно в обращении**
 - Помните об отдаче при пуске мойки высокого давления; крепко держите ручной пистолет и распылительную трубку обеими руками и займите устойчивое положение
 - Ни в коем случае не фиксируйте пусковой механизм в одном положении в время работы
 - **Ни в коем случае не направляйте водную струю на других людей, животных, электрическое оборудование под напряжением или сам инструмент** ④
 - Ни в коем случае не оставляйте инструмент без присмотра при включенном двигателе
 - Не пользуйтесь инструментом во взрывоопасной среде
 - **Перед тем, как регулировать, очищать инструмент или заменять принадлежность, всегда отключайте инструмент, вынимайте вилку с розетки и спускайте водное давление в инструменте и ручном пистолете**
- ### ЛИЧНАЯ БЕЗОПАСНОСТЬ
- Этот инструмент не должен использоваться лицами (включая детей) с ограниченными физическими, сенсорными или умственными способностями, или лицами, не имеющими достаточного опыта и знаний, за исключением случаев, когда они работают под надзором или проинструктированы в вопросах

использования инструмента лицом, ответственным за их безопасность

- Убедитесь, что дети не имеют возможности играть с инструментом
- Для защиты от разбрызгивающейся воды используйте соответствующую защитную одежду
- **Использовать инструмент вблизи других лиц разрешается только в тех случаях, если они используют защитную одежду**
- Не распыляйте средства, содержащие асбест, и другие средства, содержащие опасные для здоровья вещества
- Во избежание повреждения шин/вентилей шин очищайте их только с расстояния не менее 30 см (поврежденные шины устройства могут привести к несчастным случаям со смертельным исходом)
- **Не направляйте водную струю на себя или других, чтобы очистить одежду или обувь**

ПОДАЧА ВОДЫ

- **Используйте только шланг высокого давления и муфту, входящие в комплект инструмента**
- Незамедлительно заменяйте поврежденный шланг высокого давления на новый с такими же техническими характеристиками
- Не перекручивайте шланг высокого давления и не ставьте на него автомобиль
- Не прикасайтесь шлангом высокого давления к острым краям или углам
- Проверьте герметичность соединений всех соединительных шлангов
- **Помните, что воду, которая распыляется инструментом, нельзя пить**
- Согласно действующим предписаниям устройство запрещается эксплуатировать без системного разделителя в трубопроводе с питьевой водой ⑤; следует использовать системный сепаратор, соответствующий EN 12729 тип VA

ЭЛЕКТРИЧЕСКАЯ БЕЗОПАСНОСТЬ

- Обязательно убедитесь, что напряжение питания соответствует напряжению, указанному на фирменном штепеле инструмента (инструменты, рассчитанные на напряжение 230 В или 240 В, можно подключать к питанию 220 В)
- Подсоедините инструмент через прерыватель напряжения в случае короткого замыкания (FI) с максимальным пусковым током 30 мА
- Убедитесь, что все токопроводящие детали в рабочей зоне защищены от водяных брызгов
- Берегите соединения шнура от влаги и держите их над землей
- Периодически осматривайте шнур и необходимо, чтобы квалифицированный специалист заменил сетевой шнур в случае повреждения
- Не наступайте на (удлинительный) шнур, не надавливайте на него и не тяните его
- Защищайте (удлинительный) шнур от источников тепла, масла и острых краев
- Используйте только удлинительные шнуры, предназначенные для внешних работ и снабженные водозащитными штепсельными розетками
- Используйте полностью размотанные и безопасные удлинители, рассчитанные на ток не менее 16 А

- Не используйте удлинительные шнуры длиной больше, чем 20 м (1,5 мм²) или 50 м (2,5 мм²)
- Периодически осматривайте удлинительный шнур и заменяйте его в случае повреждения (**использование несоответствующих удлинительных шнуров небезопасно**)
- Ни в коем случае не прикасайтесь к сетевой вилке влажными руками
- В случае разрезания, повреждения или запутывания силового или удлинительного шнура, выключите инструмент и вытяните вилку с розетки (**не касайтесь шнура, пока вилка вставлена в розетку**)

ИСПОЛЬЗОВАНИЕ

- Указания по сборке ⑥
 - последовательность цифр на рисунке соответствует последовательности шагов, которые необходимо предпринять для сборки мойки высокого давления
 - из соображений безопасности нажмите предохранитель спускового механизма А во избежание случайной В активации спускового механизма
- Подключение к водопроводной сети ⑦
 - вкрутите впускной штуцер С в патрубок подвода воды D
 - ! **ни в коем случае не используйте впускной штуцер С без водного фильтра Е**
 - подключите питающий водяной шланг (не входит в комплект) к водному крану и впускному штуцеру С
 - ! **следите, чтобы температура подаваемой воды не превышала 40°C** (в горячую погоду перед подключением к водяному крану спустите воду, чтобы она охладилась)
- Использование инструмента ⑧
 - поставьте инструмент на твердую поверхность в вертикальное положение
 - подключите инструмент к сети питания (сетевой выключатель F должен находиться в положении «выключено»)
 - откройте водяной кран
 - нажмите предохранитель спускового механизма А, чтобы отпустить механизм В
 - нажмите спусковой механизм до конца, В чтобы спустить захваченный в инструмент или питающий водяной шланг воздух
 - отпустите спусковой механизм В и нажмите предохранитель спускового механизма А
 - включите инструмент, нажав на сетевом выключателе F кнопку "I"
 - после включения двигателя работает несколько секунд, пока не достигнется максимальное давление
 - нажмите предохранитель спускового механизма А, направьте распыляющее сопло G на участок мойки и потяните спусковой механизм В
 - поворачивая сопло G, переходите от направленной водной струи к брызгам дальнего действия

- после отпускания спускового механизма В двигатель работает несколько секунд, пока не достигнется максимальное давление
- выключите инструмент, нажав на сетевом выключателе F кнопку "O"
- закройте водяной кран
- нажмите до конца спускной механизм В, пока в инструменте не будет полностью спущено давление воды
- после использования нажмите предохранитель спускового механизма А во избежание случайной В активации спускового механизма
- вытягивайте вилку из сетевой розетки
- отключите питающий водяной шланг от инструмента и водяного крана
- Использование емкости для моющего средства ⑨
 - ! **убедитесь, что спускной механизм поставлен на предохранитель, и что отключен сетевой выключатель**
 - открутите емкость Н от сопла J для моющего средства и наполните ее биоразлагаемым моющим средством, предназначенным для использования в мойках высокого давления (**использование любых других моющих средств или химических веществ может влиять на безопасность инструмента**)
 - ! **не используйте неразведенные моющие средства**
 - прикрутите сопло для моющего средства J к заполненной емкости Н
 - выньте распылительную трубку K из ручного пистолета L и установите на ее место сопло для моющего средства J, как показано на рисунке
 - нажмите предохранитель спускового механизма А, направьте сопло для моющего средства J на участок мойки и потяните спусковой механизм В
 - ! **моющее средство поступает под низким давлением**

СОВЕТЫ ПО ИСПОЛЬЗОВАНИЮ

- При использовании емкости для моющего средства Н
 - ! **дополнительные указания см. этикетку моющего средства**
 - сначала намочите предметы
 - наносите моющее средство на предмет снизу вверх
 - оставьте моющее средство, чтобы оно подействовало, но не засохло
 - смойте его сверху вниз
- См дополнительную информацию на сайте www.skil.com

ТЕХОБСЛУЖИВАНИЕ / СЕРВИС


- Данный инструмент не подходит для промышленного использования
- **Перед тем, как выполнять обслуживание инструмента, всегда отключайте инструмент, спускайте водное давление в инструменте и ручном пистолете, вынимайте вилку с розетки и отключайте инструмент от водопроводной сети**

- Всегда содержите инструмент и его шнур в чистоте (особенно вентиляционные отверстия S ②)
 - не используйте воду, растворители или полирующие средства
 - регулярно очищайте распыляющее сопло G при помощи очищающей иглы M ⑩ (сначала выньте распылительную трубку K из ручного пистолета L)
- Регулярно проверяйте детали на предмет износа или повреждения и отремонтируйте/замените их, если требуется
- Очистка водяного фильтра
 - выньте водяной фильтр E ② из впускного штуцера C ② при помощи отсрочугбцев
 - промойте его и поставьте назад (замените в случае повреждения)
 - ! **запрещается использовать инструмент, если поврежден водный фильтр**
- Хранение ⑪
 - храните инструмент вдали от детей в помещении, где температура окружающего воздуха не превышает 40°C и не опускается ниже 0°C)
 - не ставьте на инструмент другие предметы
 - надежно закрепите подвеску N на стене при помощи 4 винтов (**не входят в комплект поставки**), выровняв их по горизонтали
 - используйте подвеску N и ремни для хранения P, как показано на рисунке
- Если инструмент, несмотря на тщательные методы изготовления и испытания, выйдет из строя, то ремонт следует производить силами авторизованной сервисной мастерской для электроинструментов фирмы SKIL
 - отправьте **неразобранный** инструмент со свидетельством покупки Вашему дилеру или в ближайшую станцию обслуживания фирмы SKIL (адреса и схема обслуживания инструмента приведены в вебсайте www.skil.com)

УСТРАНЕНИЕ НЕИСПРАВНОСТЕЙ

- Ниже приведен перечень неисправностей, их возможных причин и корректирующих действий (если при их помощи не удастся исправить проблему, обратитесь к дилеру или в сервисный центр)
 - ! **перед поиском неисправности выключите инструмент и отсоедините вилку**
- ★ Струя не постоянная
 - частично забыто сопло -> очистите сопло
- ★ Не включается или внезапно отключается мотор
 - повреждение розетки питания -> используйте другую розетку
 - вилка не вставлена в розетку -> вставьте вилку
 - термовыключатель отключил двигатель -> оставьте его охлаждаться на 5 минут
- ★ Двигатель работает, но струя слабая
 - полностью забыто сопло -> очистите сопло
 - забыт водный фильтр -> очистите водный фильтр
 - в напоре присутствует воздух -> проверьте надежность подключения впускного штуцера
 - недостаточный приток воды -> проверьте, открыт ли до конца водяной кран

ОХРАНА ОКРУЖАЮЩЕЙ СРЕДЫ

- **Не выкидывайте электроинструмент, принадлежности и упаковку вместе с бытовым мусором** (только для стран ЕС)
 - во исполнение европейской директивы 2012/19/ЕС об утилизации отслужившего свой срок электрического и электронного оборудования и в соответствии с действующим законодательством, утилизация электроинструментов производится отдельно от других отходов на предприятиях, соответствующих условиям экологической безопасности
 - значок  напомним Вам об этом, когда появится необходимость сдать электроинструмент на утилизацию

ДЕКЛАРАЦИЯ О СООТВЕТСТВИИ СТАНДАРТАМ СЕ

- С полной ответственностью мы заявляем, что описанный в разделе "Технические данные" продукт соответствует нижеследующим стандартам или нормативным документам: EN 60335, EN 61000, EN 55014 согласно положениям директив 2006/95/ЕС, 2004/108/ЕС, 2006/42/ЕС, 2000/14/ЕС, 2011/65/ЕС
- **Техническая документация у:** SKIL Europe BV (PT-SEU/ENG1), 4825 BD Breda, NL

Marijn van der Hoofden
Operations & Engineering

Olaf Dijkgraaf
Approval Manager



SKIL Europe BV, 4825 BD Breda, NL

26.02.2014

CE10

- Информация о сертификате соответствия расположена на последней странице настоящей Инструкции
- Сертификаты соответствия хранятся по адресу: ООО "Роберт Бош" ул. Акад. Королева, 13, стр. 5 Россия, 129515, Москва
- **С января 2014 г.** Вашутинское шоссе, влад. 36 Россия, 141446 г.о. Химки
- **Дата производства** указана на последней странице настоящей инструкции
- Информацию об **импортере** изделия можно найти на упаковке

ШУМНОСТИ/ВИБРАЦИИ

- При измерении в соответствии со стандартом EN 60704-1 уровень звукового давления для этого инструмента составляет 81 дБ (А) и уровень звуковой мощности - 93 дБ (А) (стандартное отклонение: 3 дБ), и вибрации - $< 2,5 \text{ м/с}^2$ (по методу для рук; недостоверность $K = 1,5 \text{ м/с}^2$)
- Гарантированный уровень звуковой мощности LWA, измеренный согласно стандарту 2000/14/ЕС ниже 97 дБ(А) (способ оценки соответствия согласно Приложению V)

- Уровень вибрации был измерен в соответствии со стандартизированным испытанием, содержащимся в EN/ISO 5349; данная характеристика может использоваться для сравнения одного инструмента с другим, а также для предварительной оценки воздействия вибрации при использовании данного инструмента для указанных целей
- при использовании инструмента в других целях или с другими/неисправными вспомогательными приспособлениями уровень воздействия вибрации может значительно **повышаться**
- в периоды, когда инструмент отключен или функционирует без фактического выполнения работы, уровень воздействия вибрации может значительно **снижаться**
- ! **защищайте себя от воздействия вибрации, поддерживая инструмент и его вспомогательные приспособления в исправном состоянии, поддерживая руки в тепле, а также правильно организуя свой рабочий процесс**

UA

Мийка високого тиску

0760

ВСТУП

- Цей інструмент призначено, щоб очистити покриття і предмети за межами приміщення, в автомобілях і на човнах
- Цей інструмент призначено тільки для домашнього використання в сухих умовах і тільки для роботи з водопровідною водою
- Цей інструмент не придатний для промислового використання
- **Перед використанням приладу уважно прочитайте дану інструкцію з експлуатації й збережіть її для подальшого використання** ③
- **Зверніть особливу увагу на правила і попередження з техніки безпеки; їх недотримання може призвести до серйозної травми**
- Переверіть наявність в упаковці всіх частин, показаних на малюнку ②
- У разі відсутності чи пошкодження деталей просимо звертатися в магазин, де було придбано інструмент

ТЕХНІЧНІ ДАНІ ①

Робочий тиск (P)	7 МПа
Максимальний робочий тиск (Pmax)	10 МПа
Тиск на впуск	0-0,6 МПа

ЕЛЕМЕНТИ ІНСТРУМЕНТА ②

- A** Запобіжник спускового механізму
- B** Спусковий механізм
- C** Впускний штуцер
- D** Патрубок підведення води
- E** Водний фільтр
- F** Мережевий вимикач
- G** Розпилювальне сопло

- H Ємкість для миючого засобу
- J Сопло для миючого засобу
- K Розпилювальна трубка
- L Ручний пістолет
- M Очищувальна голка
- N Підвіска для зберігання (**гвинти у комплект постачання не входять**)
- P Ремінь для зберігання (2)
- Q Шланг високого тиску
- R Водовипускний патрубок
- S Вентиляційні отвори
- T З'єднувач ременів для зберігання

БЕЗПЕКА

ЗАГАЛЬНЕ

- Використовуйте інструмент та насадки тільки у відповідності з даним Керівництвом та по їх призначенню; використання інструменту не по призначенню може призвести до небезпеки
- **У жодному разі не заливайте рідини, які містять розчинники, нерозбавлені кислоти або самі розчинники (наприклад, бензин, розріджувачі фарби, топковий мазут);** зазначені рідини під час розпилювання виділяють сильногорючу, вибухонебезпечну і токсичну пару, а також можуть роз'їдати деталі інструменту
- Використовуйте інструмент тільки при доцільній температурі від 0 до 40°C
- **Починайте роботу тільки, якщо інструмент і робоче обладнання не пошкоджене і безпечно для роботи**
- Пам'ятайте про віддавання під час пускання мийки високого тиску; міцно тримайте ручний пістолет і розпилювальну трубку обома руками та займіть стійке положення
- У жодному разі не фіксуйте пусковий механізм під час роботи в одному положенні
- **У жодному разі не спрямовуйте водний струмінь на інших людей, тварин, електричне обладнання під напругою або сам інструмент** ④
- У жодному разі не залишайте інструмент з увімкнутим двигуном без нагляду
- Не використовуйте інструмент у вибухонебезпечному середовищі
- **Перед тим, як регулювати, очищати інструмент або замінити приладдя, завжди вимикайте інструмент, виймайте вилку з розетки та спускайте водний тиск в інструменті та ручному пістолеті**

БЕЗПЕКА ЛЮДЕЙ

- Цей інструмент не може використовуватись особами (включаючи дітей) з обмеженими фізичними, сенсорними або розумовими здібностями, або особами, які не мають достатньо досвіду та знань за виключенням випадків, коли вони працюють під наглядом або пройшли інструктаж щодо використання інструменту з боку особи, яка відповідає за їх безпеку
- Переконайтеся, що діти не мають змоги гратися з інструментом
- Для захисту від розприскуваної води використовуйте відповідний захисний одяг

- **Використовувати інструмент поблизу інших осіб дозволяється тільки тоді, якщо вони використовують захисний одяг**

- Не розпиляйте засоби, які містять азбест, або інші, які містять небезпечні для здоров'я речовини
- Щоб уникнути пошкодження шин/вентилів шин, очищайте їх тільки з відстані не менше, ніж 30 см (пошкоджені шини обладнання можуть привести до нещасних випадків зі смертельним наслідком)
- **Не спрямовуйте водний струмінь на себе або інших осіб, щоб очистити одяг або взуття**

ПОДАВАННЯ ВОДИ

- **Використовуйте тільки шланг високого тиску й муфту, які входять до комплекту інструмента**
- Негайно заміняйте пошкоджений шланг високого тиску на новий з такими самими технічними характеристиками
- Не перекручуйте шланг високого тиску і не ставте на нього автомобіль
- Не торкайтеся шлангом високого тиску гострих країв або кутів
- Переверіте герметичність з'єднань усіх шлангів
- **Пам'ятайте, що воду, яку розпилює інструмент, не можна пити**
- Відповідно до діючих нормативних актів цей інструмент заборонено експлуатувати без системного сепаратора в трубовідних мережах з питною водою ⑤; слід застосовувати системний сепаратор, відповідний EN 12729 тип BA

ЕЛЕКТРИЧНА БЕЗПЕКА

- Перед роботою перевірте відповідність струму в мережі із струмом, позначені на інструменті (інструменти, розраховані на 230В або 240В, також можуть підключатися до мережі 220В)
- Під час роботи на вулиці, підключайте інструмент через запобіжник короткого замикання (FI) з максимальним пусковим струмом 30 мА
- Переконайтеся, що усі струмопровідні деталі у робочій зоні захищено від водяних бризок
- Захищайте з'єднання шнура від вологи і тримайте їх над землею
- Періодично оглядайте шнур та зйого повинен замінити кваліфікований фахівець у випадку пошкодження
- Не наступайте на подовжувач, не натискайте на нього та не тягніть його
- Захищайте подовжувач від джерел тепла, оливи та гострих країв
- Використовуйте тільки подовжувач, який призначено для зовнішніх робіт та обладнано водозахищеною штепсельною розеткою
- Використовуйте повністю розгорнений шнур подовжувача, який може витримувати навантаження в 16 Ампер
- Не використовуйте подовжувачі завдовжки більше, як 20 м (1,5 мм²) або 50 м (2,5 мм²)
- Періодично оглядайте подовжувач та замініть його у разі пошкодження (**використовувати невідповідний подовжувач небезпечно**)
- У жодному разі не торкайтеся мережевої вилки вологими руками

- У разі розрізання, пошкодження або заплутування силового шнура чи продовжувача, вимкніть інструмент і витягніть вилку з розетки (**не торкайтесь шнура, доки вилка вставлена у розетку**)

ВИКОРИСТАННЯ

- Інструкції зі збирання ⑥
 - послідовність цифр на рисунку відповідає послідовності кроків, які потрібно виконати, щоб зібрати мийку високого тиску
 - з міркувань безпеки натисніть запобіжник спускового механізму А, щоб уникнути випадкового В активування спускового механізму
- Підключення до водогіної мережі ⑦
 - вкрутіть впускний штуцер С у патрубок підведення води D
 - ! **у жодному разі не використовуйте впускний штуцер С без водного фільтра Е**
 - підключіть подавальний водний шланг (не входить до комплекту) до водяного крана і впускного штуцера С
 - ! **стежте, щоб температура води, яку подають, не перевищувала 40°C** (у гарячу погоду перед підключенням до водяного крана спустіть воду, щоб вона охолола)
- Використання інструменту ⑧
 - поставте інструмент на тверду поверхню у вертикальне положення
 - підключіть інструмент до мережі живлення (мережевий вимикач F має бути у положенні «вимкнено»)
 - відкрутіть водяний кран
 - щоб відпустити спусковий механізм А, натисніть його запобіжник В
 - щоб спустити повітря, яке захопилось в інструмент або подавальний водний шланг, натисніть спусковий механізм В до кінця
 - відпустіть спусковий механізм В і натисніть його запобіжник А
 - увімкніть прилад, натиснувши на мережевому вимикачі F кнопку "I"
 - після вмикання двигун працює кілька секунд, доки не буде досягнуто максимального тиску
 - натисніть запобіжник спускового механізму А, спрямуйте розпилювальне сопло G на мийну ділянку і потягніть спусковий механізм В
 - повертаючи сопло, переходьте від направленою водного струменя до далекодійних бризок G
 - після відпускання спускового механізму В двигун працює кілька секунд, доки не буде досягнуто максимального тиску
 - вимкніть прилад, натиснувши на мережевому вимикачі F кнопку "O"
 - закрутіть водяний кран
 - натисніть до кінця спусковий механізм В, доки з інструменту не буде повністю спущено водний тиск
 - після використання натисніть запобіжник спускового механізму А, щоб уникнути випадкового активування спускового механізму В

- витягуйте вилку з мережевої розетки
- відключіть подавальний водний шланг від інструмента і водяного крана
- Використання ємності для мийного засобу ⑨
 - ! **переконайтеся, що спусковий механізм поставлено на запобіжник, і що відключено мережевий вимикач**
 - відкрутіть ємність Н від сопла для мийного засобу J і наповніть її мийним засобом, який розкладається біологічним шляхом і який призначено для мийок високого тиску (**використання будь-яких інших мийних засобів або хімічних речовин може впливати на безпеку інструменту**)
 - ! **не використовуйте нерозбавлені мийні засоби**
 - прикрутіть сопло для мийного засобу Н до заповненої ємності J
 - вийміть розпилювальну трубку К з ручного пістолета L і установіть замість нього сопло для мийного засобу J, як показано на рисунку
 - натисніть запобіжник спускового механізму А, спрямуйте сопло для мийного засобу J на мийну ділянку і потягніть спусковий механізм В
 - ! **мийний засіб надходить під низьким тиском**

ПОРАДИ ПО ВИКОРИСТАННЮ

- Використовуючи ємність для мийного засобу Н
 - ! **додаткові вказівки див. етикетку мийного засобу**
 - спочатку намочіть предмет
 - наносіть мийочий засіб на предмет знизу догори
 - залишіть мийочий засіб, щоб він подіяв, але не висох
 - змийте його зверху донизу
- Див додаткову інформацію на www.skil.com

ДОГЛЯД/ОБСЛУГОВУВАННЯ

- Цей інструмент не придатний для промислового використання
- **Перед тем, як обслуговувати інструмент, завжди вимикайте інструмент, спускайте водний тиск в інструменті та ручному пістолеті і виймайте вилку з розетки**
- Завжди тримайте інструмент та його шнур в чистоті (особливо вентиляційні отвори S ②)
 - не використовуйте воду, розчинники або полірувальні засоби
 - регулярно очищайте розпилювальне сопло G за допомогою очищувальної голки M ⑩ (спочатку вийміть розпилювальну трубку К з ручного пістолета L)
- Регулярно перевіряйте деталі на предмет зношування або пошкодження і відремонтуйте/замініть їх у разі потреби
- Очищування водного фільтра
 - вийміть водний фільтр Е ② з впускного штуцера С ② за допомогою гострогубців
 - промийте його і поставте назад (замініть у разі пошкодження)
 - ! **якщо пошкоджено водний фільтр, використовувати інструмент заборонено**

- Зберігання ⑪
 - зберігайте інструмент подалі від дітей у приміщенні, де доколишня температура не перевищує 40°C і не опускається нижче, ніж 0°C)
 - не ставте на інструмент інші предмети
 - надійно закріпіть підвіску N на стіні за допомогою 4 гвинтів (**не входять у комплект постачання**), вирівнявши їх по горизонталі
 - використовуйте підвіску N і ремені для зберігання P, як показано на рисунку
- Якщо незважаючи на ретельну технологію виготовлення і перевірки інструмент все-таки вийде з ладу, його ремонт дозволяється виконувати лише в авторизованій сервісній майстерні для електротприладів SKIL
 - надішліть **нерозібраний** інструмент разом з доказом купівлі до Вашого дилера або до найближчого центру обслуговування SKIL (адреси, а також діаграма обслуговування пристрою, подаються на сайті www.skil.com)

УСУНЕННЯ НЕПОЛАДОК

- Нижче наведено перелік несправностей, їх можливих причин і корективних дій (якщо за їх допомогою вирішити проблему не вдається, зверніться до дилера або у сервісний центр)
 - ! **перед тим як шукати несправність, вимкніть інструмент і витягніть вилку**
- ★ Струмінь не постійний
 - частково забито сопло -> очистіть сопло
- ★ Не вмикається або раптово вимикається мотор
 - пошкодження розетки живлення -> використовуйте іншу розетку
 - вилку не вставлено у розетку -> вставте вилку
 - термовимикач вимкнув двигун -> залиште його охолоджуватись на 5 хвилин
- ★ Двигун працює, але струмінь слабкий
 - повністю забито сопло -> очистіть сопло
 - забитий водний фільтр -> очистіть водний фільтр
 - у насосі присутне повітря -> перевірте надійність підключення впускного штуцера
 - недостатній приток води -> перевірте, чи відкручено до кінця водяний кран

ОХОРОНА НАВКОЛИШНЬОЇ СЕРЕДИ

- **Не викидайте електроінструмент, належності та упакуванню разом зі звичайним сміттям** (тільки для країни ЄС)
 - відповідно до європейської директиви 2012/19/ЄС щодо утилізації старих електричних та електронних приладів, в залежності з місцевим законодавством, електроінструмент, який перебував в експлуатації повинен бути утилізований окремо, безпечним для навколишнього середовища шляхом
 - малюнок ⑫ нагадує вам про це

ДЕКЛАРАЦІЯ ПРО ВІДПОВІДНІСТЬ СТАНДАРТАМ СЕ

- Ми заявляємо під нашу виключну відповідальність, що описаний в "Технічні дані" продукт відповідає таким нормам або нормативним документам: EN 60335, EN 61000, EN 55014 у відповідності до положень директив 2006/95/EG, 2004/108/EG, 2006/42/EG, 2000/14/EG, 2011/65/EC
- **Технічні документи в:** SKIL Europe BV (PT-SEU/ENG1), 4825 BD Breda, NL

Marijn van der Hoofden
Operations & Engineering

Olaf Dijkgraaf
Approval Manager

SKIL Europe BV, 4825 BD Breda, NL

26.02.2014

CE10

ШУМ/ВІБРАЦІЯ

- Зміряний відповідно до EN 60704-1 рівень тиску звуку даного інструменту 81дБ(A) і потужність звуку 93 дБ(A) (стандартне відхилення: 3 дБ), і вібрація < 2,5 м/с² (ручна методика; похибка K = 1,5 м/с²)
- Гарантований рівень звукової потужності LWA, який виміряно згідно зі стандартом 2000/14/EG нижчий за 97 дБ(A) (процедура оцінки відповідності згідно з Додатком V)
- Рівень вібрації було виміряно у відповідності зі стандартизованим випробуванням, що міститься в EN/ISO 5349; дана характеристика може використовуватися для порівняння одного інструмента з іншим, а також для попередньої оцінки впливу вібрації під час застосування даного інструмента для вказаних цілей
 - при використанні інструмента в інших цілях або з іншими/несправними допоміжними пристосуваннями рівень впливу вібрації може значно **підвищуватися**
 - у періоди, коли інструмент вимкнений або функціонує без фактичного виконання роботи, рівень впливу вібрації може значно **знижуватися**
- ! **захщайте себе від впливу вібрації, підтримуючи інструмент і його допоміжні пристосування в справному стані, підтримуючи руки в теплі, а також правильно організовуючи свій робочий процес**

GR

Πλαστικό μηχάνημα
υψηλής πίεσης

0760

ΕΙΣΑΓΩΓΗ

- Αυτό το εργαλείο έχει σχεδιαστεί για τον καθαρισμό χώρων και αντικειμένων εκτός κατοικίας, για οχήματα και σκάφη

- Αυτό το εργαλείο προορίζεται μόνο για οικιακή χρήση και δεν είναι σχεδιασμένο για χρήση με νερό άλλης προέλευσης εκτός από νερό βρύσης
- Αυτό το εργαλείο δεν προορίζεται για επαγγελματική χρήση
- **Διαβάστε προσεκτικά τις οδηγίες πριν από τη χρήση και φυλάξτε τις για μελλοντική αναφορά** ③
- **Δώστε ιδιαίτερη προσοχή στις οδηγίες ασφαλείας και στις προειδοποιήσεις - η μη τήρηση αυτών των οδηγιών και προειδοποιήσεων θα μπορούσε να προκαλέσει σοβαρές σωματικές βλάβες**
- Βεβαιωθείτε ότι η συσκευασία περιέχει όλα τα εξαρτήματα που απεικονίζονται στο σχέδιο ②
- Όταν κάποια εξαρτήματα λείπουν ή έχουν φθορές, παρακαλούμε επικοινωνήστε με τον αντιπρόσωπό σας

ΤΕΧΝΙΚΑ ΧΑΡΑΚΤΗΡΙΣΤΙΚΑ ①

Πίεση λειτουργίας (P)	7 MPa
Μέγιστη πίεση λειτουργίας (Pmax)	10 MPa
Πίεση εισόδου	0 - 0,6 MPa

ΜΕΡΗ ΤΟΥ ΕΡΓΑΛΕΙΟΥ ②

- A Ασφάλεια σκανδάλης
- B Σκανδάλη
- C Ρακόρ εισόδου
- D Εισαγωγή νερού
- E Φίλτρο νερού
- F Γενικός διακόπτης
- G Ακροφύσιο ψεκασμού
- H Φιάλη απορρυπαντικού
- J Ακροφύσιο απορρυπαντικού
- K Λόγχη ψεκαστήρα
- L Πιστόλι χειρός
- M Βελόνα καθαρισμού
- N Ράγα αποθήκευσης (δεν παρέχονται οι βίδες)
- P Ιμάντας αποθήκευσης (2)
- Q Μάνικα υψηλής πίεσης
- R Εξαγωγή νερού
- S Σχισμές αερισμού
- T Σύνδεση για ιμάντες αποθήκευσης

ΑΣΦΑΛΕΙΑ

ΓΕΝΙΚΑ

- Χρησιμοποιείτε το εργαλείο και τα εξαρτήματά του σύμφωνα με τις οδηγίες χρήσεως και κατά τον τρόπο που προβλέπεται για το εργαλείο - η χρήση του εργαλείου για ενέργειες που είναι διαφορετικές από αυτές για τις οποίες προορίζεται κανονικά το εργαλείο, μπορεί να προκαλέσει επικίνδυνες καταστάσεις
- **Ποτέ μη ρουφάτε υγρά που περιέχουν διαλυτά, αδιάλυτα οξέα ή διαλυτικά (π.χ. βενζίνη, διαλυτικά χρωμάτων, φωτιστικό πετρέλαιο), αυτά τα υγρά εκλύουν πολύ εύφλεκτο, εκρηκτικό και τοξικό αέριο και επίσης προκαλούν διάβρωση στα εξαρτήματα του εργαλείου**
- Να χρησιμοποιείτε το εργαλείο μόνο όταν η θερμοκρασία περιβάλλοντος είναι μεταξύ 0°C και 40°C
- **Να ξεκινάτε την εργασία σας μόνο όταν το εργαλείο και ο εξοπλισμός χειρισμού είναι σε άριστη κατάσταση και ασφαλή για χρήση**

- Να προσέχετε το κλώτσημα που προκαλείται κατά την εκκίνηση του πλυστικού μηχανήματος υψηλής πίεσης. Να κρατάτε γερά το πιστόλι χειρός και τη λόγχη ψεκαστήρα και να στέκεστε σταθερά
- Ποτέ μην αγκιστρώνετε τη σκανδάλη στη θέση λειτουργίας κατά τη λειτουργία
- **Ποτέ μην κατευθύνετε τη δέσμη νερού προς άλλα άτομα, ζώα, ρευματοφόρο εξοπλισμό ή το ίδιο το εργαλείο** ④
- Ποτέ μην αφήνετε το εργαλείο χωρίς επιτήρηση όταν το μοτέρ είναι σε λειτουργία
- Μην χειρίζεστε το εργαλείο σε εν δυνάμει εκρηκτική ατμόσφαιρα
- **Πάντα να σβήνετε το εργαλείο, να βγάξετε το φις από την πρίζα, και να εξασφαλίσετε ότι δεν υπάρχει πίεση νερού στο εργαλείο και το πιστόλι χειρός πριν από τη ρύθμιση, τον καθαρισμό ή την αλλαγή παρελκόμενων**

ΑΣΦΑΛΕΙΑ ΠΡΟΣΩΠΩΝ

- Το εργαλείο αυτό δεν προορίζεται για χρήση από άτομα (συμπεριλαμβανομένων παιδιών) με μειωμένες φυσικές, αισθητικές ή νοητικές ικανότητες, ή από άτομα χωρίς εμπειρία ή γνώση, εκτός και αν επιβλέπονται ή εάν τους έχουν δοθεί οδηγίες σχετικά με τη χρήση του εργαλείου από άτομα υπεύθυνα για την ασφάλειά τους
- Βεβαιωθείτε ότι τα παιδιά δεν παίζουν με το εργαλείο
- Να φοράτε κατάλληλη προστατευτική ενδυμασία για προστασία από το πιστόλι νερού
- **Μη χρησιμοποιείτε το εργαλείο εάν βρίσκονται άλλα άτομα κοντά του, εκτός αν φορούν προστατευτική ενδυμασία**
- Μην ψεκάζετε υλικά που περιέχουν αμίαντο και άλλα υλικά που περιέχουν ουσίες επικίνδυνες για την υγεία σας
- Να καθαρίζετε ελαστικά / βαλβίδες ελαστικών από απόσταση κατ' ελάχιστο 30 cm για να αποφευχθεί η πρόκληση βλάβης σ' αυτά (οι βλάβες σε ελαστικά οχημάτων μπορεί να προκαλέσουν θανατηφόρα ατυχήματα)
- **Μην κατευθύνετε τον πίδακα νερού προς το μέρος σας ή προς άλλους για να καθαρίσετε ρούχα ή παπούτσια**

- **Μην κατευθύνετε τον πίδακα νερού προς το μέρος σας ή προς άλλους για να καθαρίσετε ρούχα ή παπούτσια**

ΠΑΡΟΧΗ ΝΕΡΟΥ

- **Χρησιμοποιήστε μόνο τη μάνικα υψηλής πίεσης και το σύνδεσμο που παρέχεται μαζί με το εργαλείο**
- Να αντικαθιστάτε αμέσως μάνικα υψηλής πίεσης που έχει ζημιά (με άλλη ιδίου προδιαγραφών)
- Μην τσακίζετε τη μάνικα υψηλής πίεσης και μην τη πατάτε με αυτοκίνητο
- Μην αφήνετε τη μάνικα υψηλής πίεσης εκτεθειμένη σε κοφτερές ακμές ή γωνίες
- Βεβαιωθείτε ότι όλοι οι συνδετήριοι σωλήνες διαθέτουν ενώσεις που είναι απολύτως στεγανές
- **Να έχετε υπ' όψη σας ότι το νερό που ψεκάζει το εργαλείο δεν πίνεται**
- Σύμφωνα με τους ισχύοντες κανονισμούς, το εργαλείο δεν πρέπει να λειτουργεί στο δίκτυο ποσίου νερού χωρίς διαχωριστή συστήματος ⑤ - να χρησιμοποιείται ένας κατάλληλος διαχωριστής συστήματος κατά το EN 12729 τύπος BA

ΗΛΕΚΤΡΙΚΗ ΑΣΦΑΛΕΙΑ

- Βεβαιωθείτε ότι η τάση του παρεχόμενου ρεύματος είναι ίδια με την τάση που υποδεικνύεται στην πινακίδα δεδομένων του εργαλείου (εργαλεία που φέρουν την ένδειξη 230V ή 240V μπορούν να συνδεθούν επίσης σε πρίζα 220V)
- Συνδέστε το εργαλείο στο ρεύμα χρησιμοποιώντας έναν διακόπτη ασφαλείας με όριο ενεργοποίησης 30 mA
- Βεβαιωθείτε ότι όλα τα ρευματοφόρα μέρη στην περιοχή εργασίας έχουν προστασία από πιτσιλιάρια νερού
- Φροντίστε οι συνδέσεις του καλωδίου να είναι στεγνές και όχι στο έδαφος
- Ελέγχετε τακτικά το καλώδιο και σε περίπτωση βλάβης, φροντίστε να αντικατασταθούν από εξειδικευμένο άτομο
- Μην πατάτε, μην συμπιέζετε και μην τραβάτε το καλώδιο (προέκτασης)
- Προστατέψτε το καλώδιο (προέκτασης) από θερμότητα, τα λάδια και τα αιχμηρά άκρα
- Χρησιμοποιείτε μόνο προέκταση καλωδίου κατάλληλη για υπαίθρια χρήση και εξοπλισμένη με αδιάβροχο φικ και πρίζα σύνδεσης
- Χρησιμοποιείτε ασφαλείς, τελείως ξετυλιγμένες προεκτάσεις καλωδίου με χωρητικότητα 16 Amps
- Να χρησιμοποιείτε μόνο μπαλαντζές με μέγιστο μήκος 20 μέτρων (1,5 mm²) ή 50 μέτρων (2,5 mm²)
- Να επιθεωρείτε κατά διαστήματα τόν καλώδιο προέκτασης και να το αντικαταστήσετε εάν έχει ζημιά **(το ακατάλληλο καλώδιο προέκτασης κρύβει κινδύνους)**
- Ποτέ μην αγρίζετε το φικ παροχής ρεύματος με βρεγμένα χέρια
- Πάντα να σβήνετε το εργαλείο και να αποσυνδέετε το φικ από την τροφοδοσία ρεύματος εάν το καλώδιο τροφοδοσίας ρεύματος ή η μπαλαντζά είναι κομμένη, φθαρμένη ή κουβαριασμένη **(μην ακουμπάτε το καλώδιο πριν από την αποσύνδεση του φικ)**

ΧΡΗΣΗ

- Οδηγίες συναρμολόγησης ⑥
 - η αρίθμηση του διαγράμματος αντιστοιχεί με την αρίθμηση των βημάτων που πρέπει να ακολουθήσετε για τη συναρμολόγηση του πλυστικού υψηλής πίεσης
 - σαν προφύλαξη ασφαλείας, πατήστε την ασφάλεια της σκανδάλης A για να αποφευχθεί B κατά λάθος ενεργοποίηση της σκανδάλης
- Σύνδεση με την παροχή νερού ⑦
 - βιδώστε το σύνδεσμο εισροής C στην εισαγωγή νερού D
 - ! **ποτέ μη χρησιμοποιείτε σύνδεσμο εισροής C χωρίς φίλτρο νερού E**
 - τοποθετήστε τη μάνικα παροχής νερού (δεν παρέχεται) στη βρύση και το ρακόρ εισροής C
 - ! **βεβαιωθείτε ότι τη θερμοκρασία του εισερχόμενου νερού δεν υπερβαίνει τους 40°C** (σε μία θερμή ημέρα αφήστε να τρέξει νερό μέχρι να βγει κρύο, πριν από τη σύνδεση στη βρύση)

- Χειρισμός του εργαλείου ⑧
 - βεβαιωθείτε ότι το εργαλείο είναι τοποθετημένο σε σταθερή επιφάνεια και σε όρθια θέση
 - συνδέστε το εργαλείο στην παροχή δικτύου (βεβαιωθείτε ότι ο γενικός διακόπτης F είναι στη θέση off)
 - ανοίξτε τη βρύση
 - πατήστε την ασφάλεια της σκανδάλης A για να απελευθερώσετε τη σκανδάλη B
 - πατήστε τέρμα τη σκανδάλη B για να απελευθερώσετε τυχόν αέρα που έχει παγιδευτεί στο εργαλείο ή τη μάνικα παροχής νερού
 - απελευθερώστε την ασφάλεια B και πατήστε την ασφάλεια της σκανδάλης A
 - ανάψτε το εργαλείο πιέζοντας το πλήκτρο "I" του γενικού διακόπτη F
 - μετά το άναμμα το μοτέρ αρχίζει να λειτουργεί για μερικά δευτερόλεπτα μέχρι να επιτευχθεί η μέγιστη πίεση
 - πατήστε την ασφάλεια της σκανδάλης A, στρέψτε το ακροφύσιο ψεκασμού G προς το σημείο που θέλετε να πλύνετε και κατόπιν τραβήξτε τη σκανδάλη B
 - αλλάξτε ανάμεσα σε συγκεντρωμένο πίδακα νερού και φαρδιά δέσμη στρέφοντας το ακροφύσιο G
 - με την απελευθέρωση της σκανδάλης B η λειτουργία του μοτέρ σταματά δευτερόλεπτα όταν επιτευχθεί η μέγιστη πίεση
 - σβήστε το εργαλείο πιέζοντας το πλήκτρο "O" του γενικού διακόπτη F
 - κλείστε τη βρύση νερού
 - πατήστε τέρμα τη σκανδάλη B μέχρι να μην υπάρχει καθόλου πίεση νερού μέσα στο εργαλείο
 - μετά τη χρήση πατήστε την ασφάλεια της σκανδάλης A για να αποφευχθεί B κατά λάθος ενεργοποίηση της σκανδάλης
 - αποσυνδέετε το φικ από την πηγή ρεύματος
 - αποσυνδέετε τη μάνικα παροχής νερού από το εργαλείο και τη βρύση
- Χρήση του δοχείου απορρυπαντικού ⑨
 - ! **βεβαιωθείτε ότι η σκανδάλη είναι ασφαλισμένη και ότι ο γενικός διακόπτης είναι στη θέση off**
 - ξεβιδώστε το δοχείο H από το ακροφύσιο απορρυπαντικού J και γεμίστε με βιοδιασπώμενο απορρυπαντικό κατάλληλο για πλυστικό υψηλής πίεσης **(η χρήση άλλων απορρυπαντικών ή χημικών μπορεί να επηρεάσει δυσμενώς την ασφάλεια του εργαλείου)**
 - ! **μην χρησιμοποιείτε αδιάλυτα απορρυπαντικά**
 - βιδώστε το γεμάτο δοχείο H επάνω στο ακροφύσιο απορρυπαντικού J
 - αφαιρέστε τη λόγχη K από το πιστόλι χειρός L και τοποθετήστε στη θέση της το ακροφύσιο απορρυπαντικού J όπως εικονίζεται
 - πατήστε την ασφάλεια της σκανδάλης A, στρέψτε το ακροφύσιο απορρυπαντικού J προς το σημείο που θέλετε να πλύνετε και κατόπιν τραβήξτε τη σκανδάλη B
 - ! **το απορρυπαντικό δε βγαίνει σε υψηλή πίεση**

ΟΔΗΓΙΕΣ ΕΦΑΡΜΟΓΗΣ

- Κατά τη χρήση του δοχείου απορρυπαντικού H **! διαβάστε την ετικέτα του απορρυπαντικού για πρόσθετες οδηγίες**
 - πάντα να βρέχετε πρώτο το αντικείμενο
 - να ρίχνετε απορρυπαντικό στο αντικείμενο από κάτω προς τα επάνω
 - αφήστε το απορρυπαντικό αρκετό χρόνο για να δράσει αλλά μην το αφήσετε να στεγνώσει
 - ξεβγάλετε από επάνω και προχωρήστε προς τα κάτω
- Για περισσότερες συμβουλές δείτε www.skil.com

ΣΥΝΤΗΡΗΣΗ / ΣΕΡΒΙΣ

- Αυτό το εργαλείο δεν προορίζεται για επαγγελματική χρήση
- **Πριν από τη συντήρηση πάντα να σβήνετε το εργαλείο, βεβαιωθείτε ότι δεν υπάρχει πίεση νερού στο εργαλείο και το πιστόλι χειρός, βγάλτε το φινι από την πρίζα, και αποσυνδέστε το εργαλείο από την παροχή νερού**
- Κρατάτε πάντοτε το εργαλείο και το καλώδιο καθαρά (και ιδιαίτερα τις θυρίδες αερισμού S ②)
 - μην χρησιμοποιείτε νερό, διαλυτικά ή γυαλιστικά
 - να καθαρίζετε τακτικά το ακροφύσιο ψεκασμού G χρησιμοποιώντας τη βελόνα καθαρισμού M ⑩ (αφαιρέστε πρώτα τη λόγχη ψεκαστήρα K από το πιστόλι χειρός L)
- Να ελέγχετε τακτικά για φθαρμένα ή σπασμένα εξαρτήματα και να φροντίζετε για την επισκευή ή αντικατάστασή τους εάν είναι απαραίτητη
- Καθαρισμός φίλτρου νερού
 - αφαιρέστε το φίλτρο νερού E ② από το ρακόρ εισροής C ② με μπουρνούτσο
 - ξεβγάλετε το και ξαναβάλτε το στη θέση του (αντικαταστήστε το αν έχει πάθει ζημιά)**! ποτέ μη χρησιμοποιείτε το εργαλείο εάν το φίλτρο νερού έχει ζημιά**
- Αποθήκευση ⑪
 - να φυλάσσετε το εργαλείο μακριά από παιδιά και σε σημείο όπου η θερμοκρασία περιβάλλοντος να μην ξεπερνά τους 40°C και να μην πέφτει κάτω από τους 0°C
 - μην τοποθετείτε άλλα αντικείμενα επάνω στο εργαλείο
 - να στερεώστε καλά στον τοίχο τη ράγα αποθήκευσης N με 4 βίδες (**δεν παρέχονται**) και να την οριζοντίσετε
 - χρησιμοποιήστε τη ράγα αποθήκευσης N και τους μίαντες αποθήκευσης P όπως εικονίζεται
- Αν παρ' όλες τις επιμελημένες μεθόδους κατασκευής κι ελέγχου το εργαλείο σταματήσει κάποτε να λειτουργεί, τότε η επισκευή του πρέπει να ανατεθεί σ' ένα εξουσιοδοτημένο συνεργείο για ηλεκτρικά εργαλεία της SKIL
 - στείλτε το εργαλείο **χωρίς να το αποσυρμολογήσετε** μαζί με την απόδειξη αγοράς στο κατάστημα από το οποίο το αγοράσατε ή στον πλησιέστερο σταθμό τεχνικής εξυπηρέτησης της SKIL (θα βρείτε τις διευθύνσεις και το διάγραμμα συντήρησης του εργαλείου στην ιστοσελίδα www.skil.com)

ΑΝΤΙΜΕΤΩΠΙΣΗ ΠΡΟΒΛΗΜΑΤΩΝ

- Στον παρακάτω κατάλογο παρατίθενται συμπτώματα βλαβών, πιθανές αιτίες και επανορθωτικές ενέργειες (εάν με αυτά δεν εντοπιστεί και αποκατασταθεί το πρόβλημα, επικοινωνήστε με τον αντιπρόσωπο ή το κέντρο σέρβις)
 - ! πριν από τη διερεύνηση του προβλήματος, κλείστε το διακόπτη του εργαλείου και βγάλτε το από την πρίζα**
- ★ Ο πίδακας δεν είναι ομοιόμορφος
 - το ακροφύσιο έχει βουλώσει εν μέρει -> καθαρίστε το ακροφύσιο
- ★ Το μοτέρ δεν ξεκινά ή σταματά απότομα
 - υπάρχει πρόβλημα στην πρίζα -> χρησιμοποιήστε άλλη πρίζα
 - το φινι δεν έχει συνδεθεί -> συνδέστε το φινι
 - το μοτέρ έχει σβήσει από τη θερμική ασφάλεια -> αφήστε να κρυώσει το εργαλείο για 5 λεπτά
- ★ Το μοτέρ είναι σε λειτουργία αλλά ο πίδακας είναι αδύναμος
 - το ακροφύσιο έχει βουλώσει τελείως -> καθαρίστε το ακροφύσιο
 - το φίλτρο νερού είναι βουλωμένο -> καθαρίστε το φίλτρο νερού
 - αέρας μέσα στην αντλία -> βεβαιωθείτε ότι το ρακόρ εισροής νερού έχει κουμπώσει γερά
 - ανεπαρκής παροχή νερού -> βεβαιωθείτε ότι η βρύση είναι τελείως ανοικτή

ΠΕΡΙΒΑΛΛΟΝ

- **Μην πετάτε τα ηλεκτρικά εργαλεία, εξαρτήματα και συσκευασίας στον κάδο οικιακών απορριμμάτων** (μόνο για τις χώρες της ΕΕ)
 - σύμφωνα με την ευρωπαϊκή οδηγία 2012/19/EK περί ηλεκτρικών και ηλεκτρονικών συσκευών και την ενσωμάτωσή της στο εθνικό δίκαιο, τα ηλεκτρικά εργαλεία πρέπει να συλλέγονται ξεχωριστά και να επιστρέφονται για ανακύκλωση με τρόπο φιλικό προς το περιβάλλον
 - το σύμβολο ⑫ θα σας το θυμίσει αυτό όταν έλθει η ώρα να πετάξετε τις

ΔΗΛΩΣΗ ΣΥΜΜΟΡΦΩΣΗΣ CE

- Δηλώνουμε υπευθύνως ότι το προϊόν που περιγράφεται στα "Τεχνικά χαρακτηριστικά" εκπληρώνει τους εξής κανονισμούς ή κατασκευαστικές συστάσεις: EN 60335, EN 61000, EN 55014 σύμφωνα με τις διατάξεις των οδηγιών 2006/95/EK, 2004/108/EK, 2006/42/EK, 2000/14/EK, 2011/65/EE
- **Τεχνικός φάκελος από:** SKIL Europe BV (PT-SEU/ENG1), 4825 BD Breda, NL

Marijn van der Hoofden
Operations & Engineering

Olaf Dijkgraaf
Approval Manager

SKIL Europe BV, 4825 BD Breda, NL

26.02.2014

CE10

ΘΟΡΥΒΟ/ΚΡΑΔΑΣΜΟΥΣ

- Μετρημένη σύμφωνα με EN 60704-1 η στάθμη ακουστικής πίεσης αυτού του εργαλείου ανέρχεται σε 81 dB(A) και η στάθμη ηχητικής ισχύος σε 93 dB(A) (κοινή απόκλιση: 3 dB), και ο κραδασμός σε $< 2,5 \text{ m/s}^2$ (μέθοδος χείρ/βραχίονα - ανασφάλεια $K = 1,5 \text{ m/s}^2$)
 - Μέτρηση σύμφωνα με το 2000/14/EC η εγγυημένη στάθμη ηχητικής ισχύος LWA είναι χαμηλότερη των 97 dB(A) (διαδικασία αξιολόγησης της Δήλωσης συμβατότητας σύμφωνα με το παράρτημα V)
 - Το επίπεδο παραγωγής κραδασμών έχει μετρηθεί σύμφωνα με μια τυποποιημένη δοκιμή που αναφέρεται στο πρότυπο EN/ISO 5349 - μπορεί να χρησιμοποιηθεί για τη σύγκριση ενός εργαλείου με ένα άλλο, καθώς και ως προκαταρκτική αξιολόγηση της έκθεσης στους κραδασμούς όταν το εργαλείο χρησιμοποιείται για τις εφαρμογές που αναφέρονται
 - η χρήση του εργαλείου για διαφορετικές εφαρμογές ή με διαφορετικά ή ακοσμητημένα εξαρτήματα μπορεί να αυξήσει σημαντικά το επίπεδο έκθεσης
 - όταν το εργαλείο είναι απενεργοποιημένο ή δουλεύει αλλά δεν εκτελεί την εργασία, το επίπεδο έκθεσης μπορεί να μειωθεί σημαντικά
- !** προστατευτείτε από τις επιδράσεις των κραδασμών συντηρώντας σωστά το εργαλείο και τα εξαρτήματά του, διατηρώντας τα χέρια σας ζεστά και οργανώνοντας τον τρόπο εργασίας σας

RO

Instrument de spălare la înaltă presiune

0760

INTRODUCERE

- Acest instrument a fost proiectat pentru curățarea zonelor și obiectelor din afara casei, vehicule și bărci
- Acest instrument este destinat exclusiv utilizării casnice și nu este proiectat pentru a funcționa cu apă din alte surse decât de la robinet
- Această sculă nu este destinată utilizării profesionale
- **Citiți cu atenție acest manual de instrucțiuni înainte de utilizare și păstrați-l pentru consultare ulterioară** ⁽³⁾
- **Acordați o atenție specială instrucțiunilor de securitate și avertizare; neglijarea acestora poate duce la vătămări grave**
- Verificați dacă ambalajul conține toate componentele așa cum se ilustrează în desenul ⁽²⁾
- În cazul în care lipsesc piese sau acestea sunt deteriorate, contactați distribuitorul

DATE TEHNICE ⁽¹⁾

Presiunea de lucru (P) 7 MPa

Presiunea maximă de lucru (Pmax) 10 MPa

Presiunea de admisie 0 – 0,6 MPa

ELEMENTELE SCULEI ⁽²⁾

- A** Buton de blocare a declanșatorului
- B** Declanșator
- C** Conector de admisie
- D** Admisie de apă
- E** Filtru de apă
- F** Comutator de alimentare
- G** Duză de pulverizare
- H** Recipient de detergent
- J** Duză de detergent
- K** Lance de pulverizare
- L** Pistol manual
- M** Ac de curățare
- N** Șină de depozitare (nu se furnizează împreună cu șuruburile)
- P** Curea de depozitare (2)
- Q** Furtun de înaltă presiune
- R** Leșire pentru apă
- S** Fantele de ventilație
- T** Conexiune pentru curelele de depozitare

SIGURANȚA

GENERALITĂȚI

- Folosiți scula și accesoriile ei conform acestor instrucțiuni și numai pentru operațiile pentru care este destinată; folosirea sculei pentru operații diferite de cele pentru care scula a fost destinată ar putea duce la situații de risc
- **Nu aspirați niciodată lichide cu conținut de solvenți, acizi sau solvenți nediluți (de ex. benzină, diluanți de vopsea, ulei de încălzire);** aceste lichide produc vapori foarte inflamabili, explozivi și toxici, putând de asemenea coroda componentele instrumentului
- Utilizați instrumentul numai dacă temperatura ambiantă se situează între 0°C și 40°C
- **Începeți lucrul numai dacă instrumentul și echipamentul de operare sunt în stare perfectă și pot fi utilizate în siguranță**
- Aveți grijă la forțele de recul care apar la pornirea instrumentului de spălare la înaltă presiune; țineți ferm pistolul manual și lancea de pulverizare și adoptați o poziție stabilă
- Nu fixați niciodată declanșatorul în poziție în timpul utilizării
- **Nu direcționați niciodată jetul de apă către alte persoane, animale, echipamente electrice conectate sau către instrument** ⁽⁴⁾
- Nu lăsați niciodată instrumentul nesupravegheat cu motorul pornit
- Nu utilizați instrumentul în locații cu risc de explozie
- **Opriti întotdeauna instrumentul, deconectați ștecherul de la sursa de curent electric și asigurați-vă că nu există presiune la nivelul apei în instrument și pistolul manual înainte de a regla, curăța sau înlocui accesoriile**

SECURITATEA PERSOANELOR

- Această sculă nu este destinată utilizării de către persoane (inclusiv copii) cu capacități reduse fizice, senzoriale sau mentale, sau fără experiență și cunoștințe, cu excepția cazului în care sunt supravegheați sau instruiți în privința folosirii sculei de către o persoană responsabilă pentru siguranța lor

- Asigurați-vă că copiii nu se joacă cu scula
- Purtați îmbrăcăminte de protecție adecvată pentru a vă proteja împotriva stropirii cu apă
- **Nu utilizați instrumentul cu alte persoane în apropiere, decât dacă acestea poartă îmbrăcăminte de protecție**
- Nu pulverizați materiale care conțin azbest și alte materiale care conțin substanțe periculoase pentru sănătatea dumneavoastră
- Curățați pneurile/supapele de pneuri numai de la o distanță minimă de 30 cm pentru a preveni deteriorarea acestora (pneurile de vehicule deteriorate pot conduce la accidente fatale)
- **Nu direcționați jetul de apă spre dumneavoastră sau alte persoane pentru a curăța îmbrăcăminte sau încălțăminte**

ALIMENTAREA CU APĂ

- **Utilizați numai furtunul cu înaltă presiune și cuplajul furnizate cu instrumentul**
- Înlocuiți imediat furtunul cu înaltă presiune deteriorat (cu unul cu specificații identice)
- Nu îndoiți sau treceți cu un vehicul peste furtunul cu înaltă presiune
- Nu expuneți furtunul cu înaltă presiune la margini sau colțuri ascuțite
- Asigurați-vă că toate furtunurile de conectare au articulațiile etanșate corespunzător
- **Rețineți că apa pulverizată generată de instrument nu este potabilă**
- Conform normelor în vigoare, instrumentul nu trebuie exploatat niciodată fără un separator de sistem la rețeaua de apă potabilă (6); utilizați un separator adecvat, conform EN 12729 tip BA

SECURITATE ELECTRICĂ

- Verificați întotdeauna dacă tensiunea de alimentare este aceeași cu tensiunea indicată pe plăcuța de identificare a sculei (sculele cu o specificație de 230V și 240V pot fi conectate și la alimentare de 220V)
- Conectați scula prin intermediul unui întrerupător de curent de defect cu un curent de declansare de maximum 30mA
- Asigurați-vă că toate componentele conducătoare de curent electric din zona de lucru sunt protejate împotriva stropilor de apă
- Mențineți conexiunile cu cablu uscate și la înălțime față de sol
- Verificați periodic cordonul și dacă este deteriorat cereți unei persoane calificate să le înlocuiască
- Nu călcați, nu striviți și nu trageți de cablul prelungitor
- Protejați cablul prelungitor de căldură, ulei și contactul cu muchii ascuțite
- Folosiți doar un cablu prelungitor destinat utilizării în aer liber echipat cu un ștecher și o priză protejate contra stropirii
- Folosiți cabluri de prelungire derulate complet, protejate/izolate, cu o capacitate de 16 amperi
- Utilizați numai cabluri prelungitoare cu o lungime maximă de 20 de metri (1,5 mm²) sau 50 de metri (2,5 mm²)
- Verificați periodic cablul prelungitor și înlocuiți-l dacă este deteriorat (**cordoanele de racord necorespunzătoare pot fi periculoase**)
- Nu atingeți niciodată ștecherul cu mâinile ude

- Oprii întotdeauna instrumentul și decuplați ștecherul de la sursa de alimentare în cazul în care cablul de alimentare sau cablul prelungitor este tăiat, deteriorat sau încurcat (**nu atingeți cablul înainte de a decupla ștecherul**)

UTILIZAREA

- Instrucțiuni de asamblare (6)
 - succesiunea numerelor care apare în schiță corespunde succesiunii pașilor care trebuie urmați pentru asamblarea instrumentului de spălare la înaltă presiune
 - ca măsură de siguranță, apăsați butonul de blocare a declanșatorului A pentru a evita ca declanșatorul B să fie activat accidental
- Conexiunea la sursa de apă (7)
 - înșurubați conectorul de admisie C în admisia de apă D
 - ! **nu utilizați niciodată conectorul de admisie C fără filtrul de apă E**
 - atașați furtunul de alimentare cu apă (nu este furnizat) la robinetul de apă și conectorul de admisie C
 - ! **asigurați-vă că temperatura apei care intră nu depășește 40°C** (în zilele călduroase lăsați apa să curgă până se răcește înaintea conectării la robinetul de apă)
- Utilizarea sculei (8)
 - asigurați-vă că instrumentul este așezat pe o bază solidă și se află în poziție verticală
 - conectați instrumentul la priză (asigurați-vă că comutatorul principal F se află în poziția oprit)
 - deschideți robinetul de apă
 - apăsați butonul de blocare a declanșatorului A pentru a elibera declanșatorul B
 - apăsați complet declanșatorul B pentru a elibera aerul captiv din instrument sau din furtunul de alimentare cu apă
 - eliberați declanșatorul B și apăsați butonul de blocare a declanșatorului A
 - porniți instrumentul apăsând butonul "I" al comutatorului principal F
 - după pornire, motorul începe să funcționeze câteva secunde până când se atinge presiunea maximă
 - apăsați butonul de blocare a declanșatorului A, îndreptați duza de pulverizare G spre zona de spălat și apoi apăsați declanșatorul B
 - comutați între jet concentrat de apă și pulverizare largă rotind duza G
 - la eliberarea declanșatorului B, motorul nu mai funcționează câteva secunde când se atinge presiune maximă
 - oprii instrumentul apăsând butonul "O" al comutatorului principal F
 - închideți robinetul de apă
 - apăsați complet declanșatorul B până când nu mai există presiune la nivelul apei în instrument
 - după utilizare apăsați butonul de blocare a declanșatorului A pentru a evita activarea accidentală a declanșatorului B
 - decuplați ștecherul de la sursa de alimentare
 - deconectați furtunul de alimentare cu apă de la instrument și de la robinetul de apă

- Utilizarea recipientului de detergent ⑨
 - ! **asigurați-vă că declanșatorul este blocat și comutatorul principal se află în poziția oprit**
 - deșurubați recipientul H de la duza de detergent J și umpleți-l cu detergent biodegradabil adecvat pentru utilizarea instrumentului de spălare la înaltă presiune (**utilizarea altor detergenți sau substanțe chimice poate afecta negativ siguranța instrumentului**)
 - ! **nu utilizați detergenți diluați**
 - înșurubați recipientul umplut H pe duza de detergent J
 - îndepărtați lancea K de pe pistolul manual L și montați în loc duza de detergent J în modul indicat în imagine
 - apăsați butonul de blocare a declanșatorului A, îndreptați duza de detergent J spre zona de spălat și apoi apăsați declanșatorul B
 - ! **detergentul nu iese la înaltă presiune**

SFATURI PENTRU UTILIZARE

- La utilizarea recipientului de detergent H
 - ! **citiți eticheta detergentului pentru instrucțiuni suplimentare**
 - udați întotdeauna obiectele mai întâi
 - aplicați detergentul pe obiecte de jos în sus
 - lăsați detergentul să acționeze, dar nu îl lăsați niciodată să se usuce
 - clătiți de sus în jos și lucrați spre partea inferioară
- A se vedea alte recomandări la www.skil.com

ÎNTREȚINERE / SERVICE

- Această sculă nu este destinată utilizării profesionale
- **Înainte de întreținere, opriți întotdeauna instrumentul, asigurați-vă că nu există presiune la nivelul apei în instrument și pistolul manual și deconectați instrumentul de la sursa de apă**
- Păstrați aparatul și cablul curat (mai ales fantele de ventilație S ②)
 - nu utilizați apă, solvenți sau substanțe de lustruire
 - curățați regulat duza de pulverizare G utilizând acul de curățare M ⑩ (îndepărtați mai întâi lancea de pulverizare K de pe pistolul manual L)
- Verificați periodic dacă există componente uzate sau deteriorate și reparați-le/înlocuiți-le atunci când este necesar
- Curățați filtrul de apă
 - desprindeți filtrul de apă E ② de conectorul de admisie C ② folosind un clește cu vârf lung
 - clătiți-l și montați-l la loc (înlocuiți-l dacă este deteriorat)
 - ! **nu utilizați niciodată instrumentul cu un filtru de apă deteriorat**
- Depozitare ⑪
 - depozitați instrumentul în afara accesului copiilor într-o locație în care temperatura ambiantă nu depășește 40°C sau nu scade sub 0°C
 - nu așezați alte obiecte deasupra instrumentului
 - fixați bine șina de depozitare N pe perete folosind 4 șuruburi (**nu se furnizează cu instrumentul**), pe orizontală
 - utilizați șina de depozitare N și curelele de depozitare P în modul indicat în imagine

- Dacă în ciuda procedurilor de fabricație și control riguroase scula are totuși o pană, repararea acesteia se va face numai la un atelier de asistență service autorizat pentru scule electrice SKIL
 - trimiteți scula în **totalitatea lui** cu bonul de cumpărare la distribuitorul sau la centrul de service SKIL cel mai apropiat (adrese și diagrame de service se găsesc la www.skil.com)

DEPANAREA

- Următoarea listă prezintă simptomele problemelor, cauzele posibile și operațiunile de corectare (dacă acestea nu pot fi identificate și problema nu poate fi corectată, contactați furnizorul sau centrul de service)
 - ! **opriți și deconectați instrumentul de la priză înainte de investigarea problemei**
 - ★ Jetul nu este constant
 - duză parțial blocată -> curățați duza
 - ★ Motorul nu pornește sau se oprește brusc
 - ștecherul de alimentare este defect -> folosiți un alt ștecher
 - ștecherul nu este conectat -> conectați ștecherul
 - protecția termică a oprit motorul -> lăsați instrumentul să se răcească timp de 5 minute
 - ★ Motorul funcționează, dar jetul este slab
 - duză complet blocată -> curățați duza
 - filtru de apă înfundat -> curățați filtrul de apă
 - aer în pompă -> asigurați-vă că conectorul de admisie pentru apă este montat în siguranță
 - alimentarea neadecvată cu apă -> verificați dacă robinetul de apă este complet deschis

MEDIUL

- **Nu aruncați sculele electrice, accesoriile sau ambalajele direct la pubelele de gunoi** (numai pentru țările din Comunitatea Europeană)
 - Directiva Europeană 2012/19/EC face referire la modul de aruncare a echipamentelor electrice și electronice și modul de aplicare a normelor în conformitate cu legislația națională; sculele electrice în momentul în care au atins un grad avansat de uzură și trebuie aruncate, ele trebuie colectate separat și reciclate într-un mod ce respectă normele de protecție a mediului inconjurător
 - simbolul ⑫ vă va reaminti acest lucru

DECLARAȚIE DE CONFORMITATE CE

- Declaram pe proprie răspundere că produsul descris la paragraful "Date tehnice" este în conformitate cu următoarele standarde și documente normative: EN 60335, EN 61000, EN 55014 conform prevederilor directivelor 2006/95/CE, 2004/108/CE, 2006/42/CE, 2000/14/CE, 2011/65/UE

- **Документация техник** la: SKIL Europe BV (PT-SEU/ENG1), 4825 BD Breda, NL

Marijn van der Hoofden Olaf Dijkgraaf
Operations & Engineering Approval Manager

SKIL Europe BV, 4825 BD Breda, NL

26.02.2014

CE10

ZGOMOT/VIBRAȚII

- Мăсурат в конформитате с EN 60704-1 нивелул де presiune а сунетului генерат де ацест instrument este де 81dB(A) iar нивелул де putere а сунетului 93 dB(A) (abaterea standard: 3 dB), iar нивелул вибраțiilor < 2,5 m/s² (metoda мінă-браџ; incertitudine K = 1,5 m/s²)
 - Мăсурат в конформитате с 2000/14/CE нивелул гаранат де putere а сунетului (LWA) este mai mic де 97 dB(A) (procedeu де evaluare ал конформитății potrivit anexei V)
 - Нивелул emisiilor де вибраții а fost мăсурат в конформитате с un test standardizat precizat в EN/ISO 5349; poate fi folosit pentru а compara о sculă с alta și ca evaluare preliminară а expunerii la vibrații atunci când folosiți scula pentru aplicațiile mentionate
 - utilizarea sculei pentru aplicații diferite sau сu accesorii diferite și prost întreținute poate **crește** semnificativ нивелул де expunere
 - momentele в care scula este oprită sau când funcționează dar nu execută nicio lucrare, pot **reduce** semnificativ нивелул де expunere
- ! protejați-vă împotriva efectelor vibrațiilor prin întreținerea sculei și а accesoriilor sale, păstrând mâinile calde și organizând procesele де lucru**

BG

Водоструйка

0760

УВОД

- Този instrument е предназначен за почистване на площи и предмети извън дома, моторни превозни средства и лодки
- Този instrument е предназначен само за домашна употреба и не е конструиран да работи с вода от източници, които са различни от водопроводен кран
- Този instrument не е предназначен за професионална употреба
- **Прочетете внимателно това ръководство преди употреба и го запазете за справни в бъдеще ③**
- **Обърнете специално внимание на инструкциите за безопасност и предупрежденията; неспазването им може да доведе до сериозно увреждане**
- Проверете дали в опаковката се намират всички части, както е показано на чертежа ②
- Когато има липсващи или повредени части, моля, свържете се с Вашия дилър

ТЕХНИЧЕСКИ ДАННИ ①

Работно налягане (P) 7 MPa
Максимално работно налягане (Pmax) 10 MPa
Входно налягане 0 - 0,6 MPa

ЕЛЕМЕНТИ НА ИНСТРУМЕНТА ②

- A** Предпазител на спусъка
- B** Спусък
- C** Входен съединител
- D** Вход за вода
- E** Филтър за вода
- F** Прекъсвач на електрозахранването
- G** Разпръсквателна дюза
- H** Бутилка за детергент
- J** Дюза за детергента
- K** Струйник
- L** Пистолет
- M** Почистваща игла
- N** Конзола за съхранение **(в комплекта не са включени винтове)**
- P** Закрепваща лентова скоба (2)
- Q** Маркуч за високо налягане
- R** Изход за вода
- S** Вентилационните отвори
- T** Съединение за закрепващи лентови скоби

БЕЗОПАСНОСТ

ОБЩИ

- При употреба на instrumenta и консумативите се съобразявайте с инструкциите за работа с тях; използването на instrumenta за извършване на операции, различни от описаните може да доведе до рискови ситуации
- **Никога не всмуквайте течности, съдържащи разтворители, неразредени киселини или разтворители (напр. бензин, разреждители на бои, нафта за отопление);** тези течности създават силно запалима, експлозивна и токсична разпръсната пара, като същевременно кородират елементите на водоструйната машина
- Използвайте този instrument само когато окръжаващата температура е между 0°C и 40°C
- **Започнете работа само когато уредът и работното оборудване са в изрядно състояние и са безопасни за експлоатация**
- Не забравяйте за силите на обратния удар, когато пускате машината; дръжте здраво пистолета и струйника и вземете безопасна стойка
- Никога не застопявайте спусъка по време на работа
- **Никога не насочвайте водната струя към други хора, животни, електрооборудване под напрежение или към самата машина ④**
- Никога не оставяйте машината без наблюдение, докато електродвигателят работи
- Не работете с машината в потенциално взривоопасна среда
- **Преди всяко регулиране, почистване или смяна на анесоари винаги изключвайте машината, изваждайте щепсела от захранващия източник и се уверявайте, че в машината и пистолета няма водно налягане**

БЕЗОПАСЕН НАЧИН НА РАБОТА

- Този инструмент не е предназначен за употреба от страна на лица (включително деца) с намалена физически, сетивни или умствени способности, или такива, които нямат нужните опит и знания, освен ако те не са под компетентно ръководство, или ако не са били съответно инструктирани по отношение употребата на инструмента от страна на лицето - отговарящо за тяхната безопасност
- Не позволявайте деца да играят с инструмента
- Носете подходящо защитно облекло, за да се предпазите от напръскване с вода
- **Не използвайте водоструйката, когато наблизо има други хора, освен ако те не носят защитно облекло**
- Не разпръсквайте азбестосъдържащи материали и други материали, съдържащи опасни за здравето вещества
- Почистявайте автомобилните гуми/вентилите на гумите от разстояние не по-малко от 30 см, за да ги предпазите от повреда (повредените автомобилни гуми може да доведат до фатални злополуки)
- **Не насочвайте водната струя към себе си или към други хора за почистване на облекло или обувки**

ПОДАВАНЕ НА ВОДА

- **Използвайте само маркуча за високо налягане и съединителя, които са доставени с машината**
- Повреден маркуч за високо налягане трябва незабавно да бъде подменен (с маркуч с идентични спецификации)
- Не прегъвайте маркуча за високо налягане и не го прегазвайте с моторно превозно средство
- Предпазвайте маркуча за високо налягане от допир до остри ръбове и ъгли
- Уверете се, че уплътненията на съединителите на всички свързващи маркучи не пропускат вода
- **Не забравяйте, че разпръскваната вода, произведена от машината, е негодна за пиене**
- Съгласно валидните разпоредби не се позволява използване на машината в мрежата за питейна вода без разделител на системата ⑤; използвайте разделител на системата съгл. EN 12729 тип VA

БЕЗОПАСНОСТ ПРИ РАБОТА С ЕЛЕКТРИЧЕСКИ ТОК

- Преди включване на инструмента в контакта се уверете, че мрежовото напрежение отговаря на напрежението, обозначено на фирмената табелка на инструмента (инструменти с номинално напрежение 230V или 240V могат да бъдат включени и към захранване с напрежение 220V)
- Включете инструмента с помощта на електрически прекъсвач (FI) с максимален ток 30 mA
- Уверете се, че всички токопроводящи части в зоната на работа са осигурени срещу напръскване с вода
- Дръжте кабелните съединения сухи и над земята
- Периодично проверявайте връзките на кабела и в случай, че са повредени, се обърнете към квалифициран специалист за подмяна
- Не настъпвайте, не премазвайте и не дърпайте кабела (удължителя)

- Пазете кабела (удължителя) от горещи предмети, масло и остри ръбове
- Използвайте само удължители, предназначени за употреба на открито и снабдени с водоустойчиви щепсели и контакти
- Използвайте напълно развити и безопасни разклонители с капацитет 16 A
- Ползвайте само удължители с дължина до 20 метра (1,5 mm²) или до 50 метра (2,5 mm²)
- Периодично проверявайте удължителя и го подменете, ако е повреден (**неподходящите удължители може да са опасни**)
- Никога не се допирайте до щепсела за електрозахранването с мокри ръце
- Изключете инструмента и извадете щепсела от контакта, ако захранващият кабел или удължителят бъде срян, повреден или заплетен (**не пипайте кабела преди да извадите щепсела от контакта**)

УПОТРЕБА

- Инструкции за сглобяване ⑥
 - поредицата от цифри, появяващи се на илюстрацията, отговаря на поредицата от стъпки, които трябва да се следват за сглобяване на водоструйката
 - като предпазна мярка за безопасност, натиснете предпазителя на спусъка A, за да не се допусне спусъкът B да бъде задействан по невнимание
- Свързване към водопроводната система ⑦
 - завийте входния съединител C във входа за вода D
- ! **никога не използвайте входния съединител C без филтър за вода E**
 - свържете маркуча за вода (не се доставя с машината) към водопроводния кран и към входния съединител C
- ! **уверете се, че температурата на входящата вода не превишава 40°C** (ако денят е горещ, пуснете водата да тече, докато се охлади, преди да свържете маркуча към водопроводния кран)
- Работа с инструмента ⑧
 - уверете се, че водоструйната машина е поставена на твърда основа и е във вертикално положение
 - свържете машината към мрежовото захранване (уверете се, че прекъсвачът на електрозахранването F е в изключена позиция)
 - отворете водопроводния кран
 - натиснете предпазителя на спусъка A, за да освободите спусъка B
 - натиснете докрай спусъка B, за да отстраните всякакъв задържан въздух от машината или маркуча за вода
 - натиснете предпазителя на спусъка B, за да освободите спусъка A
 - включете машината, като натиснете бутона "I" на прекъсвача на електрозахранването F
 - след включването електродвигателят започва да работи за няколко секунди, докато бъде достигнато максималното налягане
 - натиснете предпазителя на спусъка A, насочете разпръскващата дюза G към участъка, който ще се почиства, и след това дръпнете спусъка B

- превключвайте между концентрирана водна струя и широко разпръскване, като въртите дюзата G
- при освобождаване на спусъка B електродвигателят спира да работи след няколко секунди, когато бъде достигнато максималното налягане
- изключете машината, като натиснете бутона "O" на преносвача на електрозахранването F
- затворете водопроводния кран
- натискайте докрай спусъка B, докато в машината не остане никакво водно налягане
- след употреба натиснете предпазителя на спусъка A, за да не се допусне спусъкът B да бъде задействан по невнимание
- изключвайте щепсела от контакта
- свалете маркуча за вода от машината и от водопроводния кран
- Използване на бутилката за детергента ⑨
 - ! **уверете се, че спусъкът е блокиран и прекъсвачът на електрозахранването е в изключена позиция**
 - развийте бутилката N от дюзата за детергента J и я напълнете с биоразградим детергент, подходящ за употреба с водоструйки (използването на други детергенти или химикали може да има неблагоприятен ефект върху безопасността на машината)
 - ! **не използвайте неразредени детергенти**
 - завийте пълната бутилка N на дюзата за детергента J
 - свалете струйника K от пистолета L и вместо него поставете дюзата за детергента J, както е илюстрирано
 - натиснете предпазителя на спусъка A, насочете дюзата за детергента J към участъка, който ще се почиства, и след това дръпнете спусъка B
 - ! **детергентът не излиза навън под високо налягане**
- Поддържайте винаги електроинструмента и охраняващия кабел чисти (особено вентилационните отвори S ②)
 - не използвайте вода, разреждатели или полиращи препарати
 - редовно почиствайте разпръскващата дюза G, като използвайте почистващата игла M ⑩ (първо свалете струйника K от пистолета L)
- Редовно проверявайте за износени или повредени части и ги дайте за поправка/подмяна, ако е необходимо
- Почистване на филтъра за вода
 - свалете филтъра за вода E ② от водния съединител C ② с клещи дългоусти/щипци
 - промийте го, за да го почистите, и го върнете обратно (подменете филтъра, когато е повреден)
 - ! **никога не използвайте машината с повреден филтър за вода**
- Съхранение ①①
 - съхранявайте машината на недостъпни за деца места, където окръжаващата температура няма да надвишава 40°C или няма да пада под 0°C
 - не поставяйте други предмети върху машината
 - закрепете здраво конзолата за съхранение N на стената с 4 винта (не са включени) хоризонтално нивелирана
 - използвайте поставката за съхранение N и лентовите скоби P, както е илюстрирано
- Ако въпреки прецизно производство и внимателно изпитване възникне повреда, инструмента да се занесе за ремонт в оторизиран сервиз за електроинструменти на SKIL
 - занесете инструмента в неразглобен вид заедно с доказателство за закупната му в търговския обект, откъдето сте го закупили, или в най-близкия сервиз на SKIL (адресите, както и схемата за сервизно обслужване на електроинструмента, можете да намерите на адрес www.skil.com)

УКАЗАНИЯ ЗА РАБОТА

- Когато използвате бутилката за детергент N
 - ! **прочетете етикета на детергента за допълнителни инструкции**
 - винаги първо намокряйте обекта на почистване
 - нанасяйте детергента върху обекта на почистване отдолу нагоре
 - дайте на детергента време да подейства, но никога не го оставяйте да изсъхне
 - започнете измиването от най-горната част и продължете надолу
- За повече полезни указания вж. www.skil.com

ПОДДРЪЖКА / СЕРВИЗ

- Този инструмент не е предназначен за професионална употреба
- **Преди извършване на поддръжка винаги изключвайте машината, уверявайте се, че в машината и пистолета няма водно налягане, изваждайте щепсела от охраняващия източник и разединявайте машината от източника за вода**

ОТКРИВАНЕ И ОТСТРАНЯВАНЕ НА ПРОБЛЕМИ

- В следващия списък са включени признаците за проблеми, вероятните причини и начините за отстраняване (ако това не помогне за откриване и отстраняване на проблема, се обърнете към Вашия дистрибутор или сервиз)
 - ! **изключете инструмента и извадете щепсела от контакта преди да проучвате проблема**
- ★ Разпръскваната струя е неравномерна
 - дюзата е частично запушена -> почистете дюзата
- ★ Моторът не тръгва или спира внезапно
 - повреден контакт -> ползвайте друг контакт
 - щепселът не е включен -> включете щепсела
 - температурната защита е изключила електродвигателя -> оставете машината да се охлади за 5 минути
- ★ Електродвигателят работи, но струята е слаба
 - дюзата е напълно запушена -> почистете дюзата
 - филтърът за вода е запушен -> почистете филтъра за вода

- въздух в помпата -> уверете се, че входния съединител за водата е сглобен правилно
- недостатъчно подаване на вода -> проверете дали водопроводният кран е отворен докрай

ОПАЗВАНЕ НА ОКОЛНАТА СРЕДА

- **Не изхвърляйте електроуредите, приспособленията и опаковките заедно с битови отпадъци** (само за страни от ЕС)
- съобразно Директивата на ЕС 2012/19/EG относно износени електрически и електронни уреди и отразяването ѝ в националното законодателство износените електроуреди следва да се събират отделно и да се предават за рециклиране според изискванията за опазване на околната среда
- за това указва символът  тогава когато трябва да бъдат унищожени

ДЕКЛАРАЦИЯ ЗА СЪОТВЕТСТВИЕ

- С пълна отговорност ние декларираме, че описаният в "Технически данни" продукт съответства на следните стандарти или нормативни документи: EN 60335, EN 61000, EN 55014 съгласно изискванията на директиви 2006/95/EG, 2004/108/EG, 2006/42/EG, 2000/14/EG, 2011/65/EC
- **Подробни технически описания при:**
SKIL Europe BV (PT-SEU/ENG1), 4825 BD Breda, NL

Marijn van der Hoofden
Operations & Engineering

Olaf Dijkgraaf
Approval Manager




SKIL Europe BV, 4825 BD Breda, NL

26.02.2014

CE

ШУМ/ВИБРАЦИИ

- Измерено в съответствие с EN 60704-1 нивото на звуково налягане на този инструмент е 81dB(A) а нивото на звукова мощност е 93 dB(A) (стандартно отклонение: 3 dB), а вибрациите са < 2,5 m/c² (метод ръка-рамо; неопределеност K = 1,5 m/c²)
- Измерена в съответствие с 2000/14/EG гарантираната сила на шума LWA е по-ниска от 97 dB(A) (методът за оценка на съответствието е съгласно Приложение V)
- Нивото на предадените вибрации е измерено в съответствие със стандартизирания тест, определен в EN/ISO 5349; то може да се използва за сравнение на един инструмент с друг и като предварителна оценка на подлагането на вибрации при използването на инструмента за посочените приложения
- използването на инструмента за различни от тези приложения или с други, или лошо поддържани аксесоари може значително **да повиши** нивото на което сте подложени
- периодите от време, когато инструмента е изключен или съответно включен, но с него не се

работи в момента могат значително **да намалят** нивото на което сте подложени



- ! **предпазвайте се от ефектите от вибрациите, като поддържате инструмента и аксесоарите му, пазиете ръцете си топли и организирате вашите модели на работа**

SK

Vysokotlakový čistič

0760

ÚVOD

- Tento nástroj bol navrhnutý pre čistenie oblastí a predmetov mimo domu a čistenie vozidiel a člnov
- Tento nástroj je určený iba na domáce použitie a nie je navrhnutý na použitie s vodou z iných zdrojov ako vodovodného kohútika
- Tento nástroj nie je vhodný pre profesionálne použitie
- **Pred použitím si dôkladne prečítajte tento návod a uchovajte ho pre prípad potreby v budúcnosti** 
- **Zvlášť venujte pozornosť bezpečnostným pokynom a upozorneniam; nedodržanie týchto pokynov môže spôsobiť vážne zranenie**
- Skontrolujte, či balenie obsahuje všetky súčasti podľa obrázka 
- Ak sú niektoré súčasti poškodené, alebo chýbajú, obráťte sa na svojho predajcu

TECHNICKÉ ÚDAJE

Pracovný tlak (P) 7 MPa

Maximálny pracovný tlak (Pmax) 10 MPa

Vstupný tlak 0 – 0,6 MPa

ČASTI NÁSTROJA

A Poistka vypínača

B Vypínač

C Prívodný konektor

D Prívod vody

E Vodný filter

F Sieťový vypínač

G Striekacia dýza

H Nádobna na čistiaci prostriedok

J Dýza na čistiaci prostriedok

K Striekacia trubica

L Ručná pištoľ

M Čistiaca ihla

N Držiak na uskladnenie (**skrutky nie sú súčasťou dodávky**)

P Úložný pás (2)

Q Vysokotlaková hadica

R Výstup vody

S Vetracie štrbiny

T Prípojka pre úložné pásy

BEZPEČNOSŤ

VŠEOBECNE

- Používajte nástroj a jeho doplnky v súlade s touto príručkou a na účely, na ktoré je nástroj určený; používanie nástroja na činnosti iné, než na aké je

normálne nástroj určený môže mať za následok rizikové situácie

- **Nikdy nevťahujte do nástroja kvapaliny obsahujúce rozpúšťadlá, neuzriedené kyseliny a rozpúšťadlá (napr. benzín, riedidlá, vykurovací olej);** tieto kvapaliny produkujú vysoko horľavú, výbušnú a toxickú striekanú paru a tiež rozleptávajú súčasti nástroja
- Nástroj používajte len pri teplote okolia od 0 °C do 40 °C
- **Začnite pracovať len vtedy, ak je nástroj a pracovné vybavenie v dokonalom stave a ich použitie je bezpečné**
- Dávajte pozor na sily spätného odrazu, ktoré vznikajú pri spúšťaní vysokotlakového čističa; pevne držte ručnú pištoľ a striekaciu trubicu a zaujmite bezpečný postoj
- Nikdy neuchytávajte vypínač na miesto počas prevádzky
- **Nikdy nesmerujte prúd vody na ľudí, zvieratá, elektrické zariadenia pod prúdom alebo na samotný nástroj** ④
- Nikdy nenechávajte nástroj so spusteným motorom bez dozoru
- Nepoužívajte nástroj na miestach, kde môže dôjsť k výbuchu
- **Pred nastavením, čistením alebo výmenou príslušenstva nástroj vždy vypnite, odpojte zástrčku zo zásuvky a ubezpečte sa, že v nástroji a ručnej pištoľi nie je žiadny vodný tlak**

BEZPEČNOSŤ OSÔB

- Tento nástroj nie je určený na použitie osobami (vrátane detí), ktoré majú znížené fyzické, zmyslové alebo mentálne schopnosti, alebo majú nedostatok skúseností a vedomostí, pokiaľ nad nimi nie je dozor alebo im neboli poskytnuté pokyny zahŕňajúce použitie tohto nástroja osobou, ktorá je zodpovedná za ich bezpečnosť
- Uistite sa, že sa deti s nástrojom nehrajú
- Majte oblečený vodný ochranný odev na ochranu pred striekajúcou vodou
- **Nepoužívajte nástroj, keď sú v blízkosti iné osoby, ktoré nemajú oblečený ochranný odev**
- Nestriekajte na materiály obsahujúce azbest alebo iné materiály obsahujúce látky, ktoré sú nebezpečné pre vaše zdravie
- Pneumatiky/ventily pneumatík čistite len z minimálnej vzdialenosti 30 cm, aby ste predišli ich poškodeniu (poškodené pneumatiky vozidla môžu spôsobiť smrteľné nehody)
- **Nesmerujte prúd vody na seba alebo iné osoby, aby ste očistili oblečenie alebo obuv**

PRÍVOD VODY

- **Používajte len vysokotlakovú hadicu a spojku dodané s nástrojom**
- Poškodenú vysokotlakovú hadicu okamžite vymeňte (za hadicu s rovnakými špecifikáciami)
- Nezaťažujte vysokotlakovú hadicu a neprechádzajte cez ňu motorovým vozidlom
- Nevystavujte vysokotlakovú hadicu ostrým hranám alebo rohom
- Ubezpečte sa, že všetky spojovacie hadice majú správne utesnené spojky
- **Majte na pamäti, že voda striekaná z nástroja nie je pitná**

- Podľa platných predpisov sa nesmie zariadenie prevádzkovať v sieti pitnej vody bez systémového oddeľovacieho zariadenia ⑤; je nutné použiť systémové oddeľovacie zariadenie podľa EN 12729 typ BA

ELEKTRICKÁ BEZPEČNOSŤ

- Vždy skontrolujte či je napájacie napätie rovnaké ako napätie uvedené na štítku nástroja (nástroj s menovitým napätím 230V alebo 240V môžete pripojiť aj do siete s napätím 220V)
- Pripojte nástroj cez stykačový istič poruchového prúdu (FI) s maximálnym spúšťacím prúdom 30 mA
- Ubezpečte sa, že všetky elektricky vodivé súčasti v pracovnej oblasti sú chránené pred striekajúcou vodou
- Udržujte pripojenia sieťového kábla suché a nad zemou
- Pravidelne kontrolujte šnúru a ak je poškodená, šnúru musí vymeniť kvalifikovaná osoba
- Neprechádzajte cez (predlžovací) sieťový kábel a ani ho nepřitláčajte alebo neťahajte
- Chráňte (predlžovací) sieťový kábel pred teplom, olejom a ostrými hranami
- Používajte len také predlžovacie sieťové káble, ktoré sú určené na vonkajšie použitie a majú vodotesnú spojovaciu zásuvku
- Používajte úplne odmotanú a bezpečnú predlžovaciu šnúru s kapacitou 16 A
- Používajte len predlžovacie sieťové káble s maximálnou dĺžkou 20 metrov (1,5 mm²) alebo 50 metrov (2,5 mm²)
- Pravidelne kontrolujte predlžovací sieťový kábel a vymeňte ho, ak je poškodený (**nevhodné predlžovacie sieťové káble môžu byť nebezpečné**)
- Nikdy sa nedotýkajte sieťovej zástrčky mokrymi rukami
- Vždy vypnite nástroj a odpojte zástrčku zo zásuvky, ak je napájací sieťový kábel alebo predlžovací sieťový kábel prerezaný, poškodený alebo zamotaný (**nedotýkajte sa sieťového kábla pred odpojením zástrčky**)

POUŽITIE

- Návod na montáž ⑥
 - poradie čísel zobrazených na nákrese zodpovedá poradiu krokov potrebných na montáž vysokotlakového čističa
 - z dôvodu bezpečnosti stlačte poistku vypínača A, aby sa predišlo náhodnému zapnutiu vypínača B
- Pripojenie k prívodu vody ⑦
 - zaskrutkujte prívodný konektor C do prívodu vody D
 - ! **nikdy nepoužívajte prívodný konektor C bez vodného filtra E**
 - pripojte prívodnú vodnú hadicu (nie je súčasťou dodávky) k vodnému kohútiku a prívodnému konektoru C
 - ! **ubezpečte sa, že teplota prívádzanej vody nepresahuje 40 °C** (počas horúceho dňa najskôr nechajte vodu odtiecť, kým nebude studená, a až potom pripojte k vodnému kohútiku hadicu)
- Prevádzka nástroja ⑧
 - ubezpečte sa, že nástroj je umiestnený na pevný podklad a vo zvislej polohe
 - pripojte nástroj k napájaniu zo siete (ubezpečte sa, že sieťový vypínač F je vo vypnutej polohe)
 - otvorte vodný kohútik
 - stlačením poistky vypínača A uvoľnite vypínač B

- úplným stlačením vypínača B uvoľníte z nástroja a prírodnej vodnej hadice všetok uzatvorený vzduch
- uvoľníte vypínač B a stlačíte poistku vypínača A
- zapnete nástroj stlačením tlačidla "I" sieťového vypínača F
- po zapnutí začne motor bežať na niekoľko sekúnd, kým sa nedosiahne maximálny tlak
- stlačíte poistku vypínača A, nasmerujete striekáciu dýzu G na miesto, ktoré sa má umyť, a potom potiahnete vypínač B
- otočením dýzy G môžete prepínať medzi sústredeným prúdom vody a širokým prúdom
- po uvoľnení vypínača B motor prestane bežať po niekoľkých sekundách, keď sa dosiahne maximálny tlak
- vypnite nástroj stlačením tlačidla "O" sieťového vypínača F
- zatvorte vodný kohútik
- úplne stlačte vypínač B dovtedy, kým už v nástroji nezostane žiadny vodný tlak
- po použití stlačte poistku vypínača A, aby sa predišlo náhodnému zapnutiu vypínača B
- odpojte zástrčku zo zásuvky
- odpojte prírodnú vodnú hadicu od nástroja a vodného kohútika
- Použitie nádoby na čistiaci prostriedok ⑨
 - ! **ubezpečte sa, že vypínač je zaistený a sieťový vypínač je vo vypnutej polohe**
 - odskrutkujte nádobu H od dýzy na čistiaci prostriedok J a naplňte ju biologicky odbúrateľným čistiacim prostriedkom, ktorý je vhodný na použitie s vysokotlakovým čističom (**použitie iných čistiacich prostriedkov alebo chemikálií môže mať nepriaznivý vplyv na bezpečnosť nástroja**)
 - ! **ne používajte nezriedené čistiace prostriedky**
 - naskrutkujte naplnenú nádobu H na dýzu na čistiaci prostriedok J
 - odmontujte trubicu K z ručnej pištole L a namontujte namiesto nej dýzu na čistiaci prostriedok J podľa obrázka
 - stlačte poistku vypínača A, nasmerujte dýzu na čistiaci prostriedok J na miesto, ktoré sa má umyť, a potom potiahnete vypínač B
 - ! **čistiaci prostriedok nevychádza z dýzy pod vysokým tlakom**

RADU NA POUŽITIE

- Pri použití nádoby na čistiaci prostriedok H
 - ! **prečítajte si ďalšie pokyny uvedené na štítku čistiaceho prostriedku**
 - čistý predmet vždy najprv navlhčíte
 - nanášajte čistiaci prostriedok na predmet odspodu nahor
 - nechajte čistiaci prostriedok nejaký čas pôsobiť, nikdy ho však nenechajte vyschnúť
 - oplachujte odvrchu nadol
- Viac rád nájdete na www.skil.com


ÚDRŽBA / SERVIS

- Tento nástroj nie je vhodný pre profesionálne použitie
- **Pred vykonávaním údržby vždy vypnite nástroj, skontrolujte, či v nástroji a ručnej pištoľi nie je žiadny vodný tlak, odpojte zástrčku zo zásuvky a odpojte nástroj od prívodu vody**
- Nástroj a sieťovú šnúru udržiavajte stále čisté (zvlášť vetracie štrby S ②)
 - nepoužívajte vodu, rozpušťač ani leštiace prostriedky
 - pravidelne čistíte striekáciu dýzu G pomocou čistiacej ihly M ⑩ (najprv odmontujte striekáciu trubicu K od ručnej pištole L)
- Pravidelne kontrolujte, či nie sú opotrebované alebo poškodené niektoré súčasti, a v prípade potreby ich opravte/vymeňte
- Čistenie vodného filtra
 - vyberte vodný filter E ② z prírodného konektora C ② pomocou klieští s dlhým nosom
 - dočista ho opláchnite a nasadte ho späť (v prípade poškodenia ho vymeňte)
 - ! **nikdy nepoužívajte nástroj s poškodeným vodným filtrom**
- Uskladnenie ⑪
 - nástroj skladujte mimo dosahu detí na mieste, kde teplota okolia neprekročí 40 °C a neklesne pod 0 °C
 - neukladajte na nástroj iné predmety
 - držiak na uskladnenie namontujte napevno N na stenu pomocou 4 skrutiek (**nie sú súčasťou dodávky**) do vodorovnej polohy
 - použite úložný držiak A a úložné pásy P podľa obrázka
- Ak by nástroj napriek starostlivej výrobe a kontrole predsa len prestal niekedy fungovať, treba dať opravu vykonať autorizovanej servisnej opravovni elektrického náradia SKIL
 - pošlite nástroj **bez rozmontovania** spolu s dôkazom o kúpe; vášmu dilerovi alebo do najbližšieho servisného strediska SKIL (zoznam adries servisných stredísk a servisný diagram nástroja sú uvedené na www.skil.com)

RIEŠENIE PROBLÉMOV

- Nasledujúci zoznam obsahuje príznaky problémov, možné príčiny a opravné postupy (ak pomocou nich nie je možné problém určiť a odstrániť, obráťte sa na svojho predajcu alebo servisné stredisko)
 - ! **pred skúmaním problému vypnite nástroj a odpojte zástrčku**
 - ★ Striekany prúd nie je konzistentný
 - čiastočne zablokovaná dýza -> vyčistite dýzu
 - ★ Motor neštartuje alebo sa náhle zastaví
 - chybná napájacia zásuvka -> použite inú zásuvku
 - nepripojená zástrčka -> pripojte zástrčku
 - tepelná ochrana vypla motor -> nechajte nástroj 5 minút vychladnúť
 - ★ Motor beží ale striekany prúd je slabý
 - úplne zablokovaná dýza -> vyčistite dýzu
 - upchaný vodný filter -> vyčistite vodný filter
 - vzduch v čerpadle -> skontrolujte, či je prírodný konektor vody pevne namontovaný
 - nedostatočný prívod vody -> skontrolujte, či je vodný kohútik úplne otvorený

ŽIVOTNÉ PROSTREDIE

- **Elektrické náradie, príslušenstvo a balenia nevyhadzujte do komunálneho odpadu** (len pre štáty EÚ)
 - podľa európskej smernice 2012/19/EG o nakladaní s použitými elektrickými a elektronickými zariadeniami a zodpovedajúcich ustanovení právnych predpisov jednotlivých krajín sa použité elektrické náradie musí zbierať oddelene od ostatného odpadu a podrobiť ekologicky šetrnej recyklácii
 - pripomenie vám to symbol , keď ju bude treba likvidovať

VYHLÁSENIE O ZHODE CE

- Na vlastnú zodpovednosť vyhlasujeme, že dole popísaný výrobok "Technické údaje" sa zhoduje s nasledujúcimi normami alebo normatívnymi dokumentami: EN 60335, EN 61000, EN 55014 podľa ustanovení smerníc 2006/95/EG, 2004/108/EG, 2006/42/EG, 2000/14/EG, 2011/65/EU
- **Súbor technickej dokumentácie sa nachádzajú na adrese:** SKIL Europe BV (PT-SEU/ENG1), 4825 BD Breda, NL

Marijn van der Hoofden
Operations & Engineering

Olaf Dijkgraaf
Approval Manager

SKIL Europe BV, 4825 BD Breda, NL

26.02.2014

CE10

HLUKU/VIBRÁCIÁCH



- Merané podľa EN 60704-1 je úroveň akustického tlaku tohto nástroja 81 dB(A) a úroveň akustického výkonu je 93 dB(A) (štandardná odchýlka: 3 dB), a vibrácie sú < 2,5 m/s² (metóda ruka - paža; nepresnosť K = 1,5 m/s²)
 - Garantovaná hladina akustického výkonu LWA, nameraná v súlade s normou 2000/14/EG je nižšia ako 97 dB(A) (spôsob hodnotenia konformity podľa prílohy V)
 - Hladina emisií od vibrácií bola nameraná v súlade s normalizovaným testom uvedeným v norme EN/ISO 5349; môže sa používať na vzájomné porovnávanie náradí a na predbežné posúdenie vystavenia účinkom vibrácií pri používaní náradia pre uvedené aplikácie
 - používanie náradia na rôzne aplikácie, alebo v porovnaní s rôznymi alebo nedostatočne udržiavanými doplnkami môže značne **zvýšiť** úroveň vystavenia
 - časové doby počas ktorých je je náradie vypnuté alebo počas ktorých náradie beží ale v skutočnosti nevykonáva prácu môžu značne **znižit'** úroveň vystavenia
- ! chráňte sa pred účinkami vibrácií tak, že budete náradie a jeho príslušenstvo správne udržiavať, tak že nebudete pracovať so studenými rukami a tak že si svoje pracovné postupy správne zorganizujete**

HR

Visokotlačni perać

0760

UVOD

- Ovaj je uređaj namijenjen za čišćenje površina i objekata oko kuća, vozila i brodova
- Uređaj je namijenjen isključivo za upotrebu u kućanstvu i predviđen je za rad samo s vodom iz slavine
- Ovaj uređaj nije namijenjen profesionalnoj upotrebi
- **Prije uporabe pažljivo pročitate ovaj priručnik s uputama i spemite ga za kasniju uporabu** 
- **Posebnu pažnju obratite na sigurnosne upute i upozorenja; pridržavajte ih se kako ne bi došlo do ozbiljnih ozljeda**
- Provjerite sadrži li paket sve dijelove prema nacrtu 
- Ako vam dijelovi nedostaju ili su oštećeni, obratite se svom dobavljaču

TEHNIČKI PODACI

Radni tlak (P)

7 MPa

Maksimalni radni tlak (Pmax)

10 MPa

Ulazni tlak

0 - 0,6 MPa

DIJELOVI ALATA

A Blokada okidača

B Okidač

C Ulazni priključak

D Ulaz za vodu

E Filtar za vodu

F Glavni prekidač

G Mlaznica

H Bočica s deterđentom

J Mlaznica deterđenta

K Otvor za prskanje

L Ručni pištolj

M Iglica za čišćenje

N Vodičica za odlaganje (**vijci nisu isporučeni**)

P Traka za odlaganje (2)

Q Visokotlačno crijevo

R Izlaz za vodu

S Otvori za strujanje zraka

T Priključak za odlaganje

SIGURNOST

OPĆENITO

- Uređaj i njegov pribor koristiti u skladu s ovim uputama za uporabu i na način propisan za uređaj; korištenje uređaja za radove koji se razlikuju od radova predviđenih za uređaj, može vas doći u opasnu situaciju
- **Nikada ne usisavajte tekućine koje sadržavaju otopine, nerazrijeđene kiseline ili otapala (npr. benzin, razrjeđivače za boju, ulje za grijanje);** takve tekućine stvaraju visokozapaljive, eksplozivne i toksične pare i mogu izazvati koroziju komponenata
- Uređaj koristite samo kada je vanjska temperatura između 0 °C i 40 °C
- **Započnite s radom tek kada su uređaj i radna oprema u savršenom stanju i sigurni za rad**

- Morate biti svjesni povratnih sila koje se pojavljuju pri pokretanju visokotlačnog perača; čvrsto držite pištolj i otvor za prskanje podalje od svog tijela
- Nikada nemojte blokirati okidač u radnom položaju
- **Nikada ne usmjeravajte mlaz vode prema drugim ljudima, životinjama, električnoj opremi pod naponom ili samom uređaju** ④
- Nikada ne ostavljajte uređaj bez nadzora dok motor radi
- Ne radite s uređajem na potencijalno eksplozivnim lokacijama
- **Prije podešavanja, čišćenja ili zamjene pribora uvijek isključite uređaj, izvucite utikač iz izvora napajanja i uvjerite se da nema vode pod tlakom u uređaju ili pištolju**

SIGURNOST LJUDI

- Nije predviđeno da se ovim alatom koriste osobe (uključujući i djecu) sa smanjenim fizičkim, osjetilnim ili mentalnim sposobnostima, neiskusne i neobučene osobe, osim ako se nalaze pod nadzorom osobe koja odgovara za njihovu sigurnost ili su od nje dobile upute o načinu korištenja alata
- Pobrinite se da se djeca ne igraju ovim alatom
- Nosite odgovarajuću zaštitnu odjeću da biste se zaštitili od prskanja vode
- **ne koristite uređaj dok su druge osobe u blizini ako ne nose zaštitnu odjeću**
- Ne prskajte materijale koji sadržavaju azbest i druge materijale koji sadržavaju tvari opasne za zdravlje
- Gume/ventile guma čistite samo s najmanje udaljenosti od 30 cm da biste spriječili oštećivanje (oštećene gume na vozilima mogu izazvati ozbiljne nesreće)
- **Ne usmjeravajte mlaz vode u sebe ili druge ljude da biste očistili odjeću ili obuću**

DOVOD VODE

- **Koristite samo visokotlačno crijevo i spojku koje ste dobili s uređajem**
- Ako je visokotlačno crijevo oštećeno, odmah ga zamijenite (crijevom jednakih karakteristika)
- Nemojte savijati visokotlačno crijevo ili prelaziti preko njega motornim vozilom
- Ne izlažite visokotlačno crijevo oštrim rubovima ili kutovima
- Sva priključna crijeva moraju imati ispravno zabrtvljene spojnice
- **Morate biti svjesni toga da voda koja se generira u uređaju nije pitka**
- Sukladno važećim propisima uređaj nikada ne smije raditi na vodovodnoj mreži bez odvajača ⑤; potrebno je koristiti odvajač koji je u skladu s EN 12729 tip BA

ELEKTRIČNA SIGURNOST

- Uvijek provjerite je li napon napajanja isti kao onaj naveden na tipskoj pločici uređaja (uređaji označeni s 230V ili 240V mogu raditi i na 220V)
- Uređaj priključiti preko zaštitne sklopke struje kvara (FI), s okidačkom strujom od max. 30 mA
- Sve provodljive komponente u području rada moraju biti zaštićene od prskanja vode
- Priključci kabela moraju biti suhi i ne smiju biti na tlu
- Kabel redovito kontrolirati u slučaju oštećenja zatražiti zamjenu od kvalificiranog električara
- Nemojte prelaziti, stiskati ili povlačiti (produžni) kabel
- Zaštitite kabel od topline, ulja i oštih rubova

- Koristite samo produžni kabel predviđen za primjenu na otvorenom i s priključnim mjestom zaštićenim od prskanja
- Uprskabljavajte samo neodmotane i zaštićene produžne kabele kapaciteta 16 ampera
- Koristite samo produžne kabele maksimalne duljine 20 metara (1,5 mm²) ili 50 metara (2,5 mm²)
- Povremeno pregledajte produžni kabel i zamijenite ga ako je oštećen (**neodgovarajući produžni kabeli mogu biti opasni**)
- Nikada ne dodirujte glavni prekidač mokrim rukama
- Uvijek isključite alat i izvucite utikač iz izvora napajanja ako je kabel za napajanje ili produžni kabel prerezan, oštećen ili zapetljan (**ne dodirujte kabel prije isključivanja utikača**)

POSLUŽIVANJE

- Upute za sklapanje ⑥
 - redosljed brojeva na nacrtu odgovara redosljedu koraka za sklapanje visokotlačnog perača
 - kao mjeru opreza pritisnite blokadu okidača A da biste izbjegli slučajno aktiviranje okidača B
- Priključak na dovod vode ⑦
 - privijte ulazni priključak C u ulaz za vodu D
 - ! **nikada ne koristite ulazni priključak C bez filtra za vodu E**
 - priključite dovodno crijevo za vodu (ne isporučuje se) na slavinu za vodu i ulazni priključak C
 - ! **temperatura dovodne vode ne smije premašivati 40°C** (ako je dan vruć, puštajte vodu dok se ne ohladi prije priključivanja na slavinu)
- Posluživanje uređaja ⑧
 - uređaj se mora postaviti na čvrsto postolje u okomitom položaju
 - priključite uređaj na napajanje (prekidač napajanja F mora biti u isključenom položaju)
 - otvorite slavinu za vodu
 - pritisnite blokadu okidača A da biste oslobodili okidač B
 - do kraja pritisnite okidač B da biste oslobodili zrak iz uređaja ili dovodnog crijeva
 - pritisnite okidač B i blokadu okidača A
 - uključite uređaj pritiskom gumba "I" glavnog prekidača F
 - nakon uključivanja motor se pokreće na nekoliko sekundi dok se ne postigne maksimalni tlak
 - pritisnite blokadu okidača A, usmjerite mlaznicu G na područje koje treba oprati i zatim povucite okidač B
 - prebacivanje između koncentriranog mlaza vode i širokog prskanja možete obaviti okretanjem mlaznice G nekoliko sekundi nakon otpuštanja okidača B motor se zaustavlja kada se postigne maksimalni tlak
 - isključite uređaj pritiskom gumba "O" glavnog prekidača F
 - zatvorite slavinu
 - do kraja pritisnite okidač B i pričekajte da se uređaj potpuno isprazni
 - nakon korištenja pritisnite blokadu okidača A da biste izbjegli slučajno aktiviranje okidača B
 - isključite utikač iz izvora napajanja
 - iskopčajte dovodno crijevo iz uređaja i slavine za vodu

- Korištenje bočice s deterdžentom ③
- ! **okidač mora biti blokiran, a glavni prekidač u isključenom položaju**
- odvijte bočicu H s mlaznice deterdženta J i napunite je biorazgradivim deterdžentom, prikladnim za primjenu u visokotlačnim peraćima (**korištenje drugih deterdženata ili kemikalija može negativno utjecati na sigurnost uređaja**)
- ! **ne koristite nerazrijeđene deterdžente**
- privijte napunjenu bočicu H na mlaznicu deterdženta J
- uklonite otvor K s pištolja L i umjesto njega montirajte mlaznicu deterdženta J prema prikazu na slici
- pritisnite blokadu okidača A, usmjerite mlaznicu deterdženta J na područje koje treba oprati i zatim povucite okidač B
- ! **deterdžent ne izlazi pod visokim tlakom**

SAVJETI ZA PRIMJENU

- Pri korištenju bočice deterdženta H
- ! **pročitajte dodatne upute na oznaci deterdženta**
- uvijek najprije namočite predmet
- nanesite deterdžent na predmet odozdo prema gore
- pustite deterdžent da radi, ali ga nikada nemojte ostavljati toliko da se osuši
- ispirite odozgo prema dolje
- Dodatne savjete možete naći na adresi www.skil.com

ODRŽAVANJE / SERVISIRANJE

- Ovaj uređaj nije namijenjen profesionalnoj upotrebi
- **Prije održavanja uvijek isključite uređaj, uvjerite se da nema tlaka vode u uređaju i pištolju, izvucite utikač iz izvora napajanja i otkopčajte uređaj iz dovoda vode**
- Održavajte čistim uređaj i kabel (osobito otvore za hlađenje S ②)
 - ne koristite vodu, otapala ili sredstva za poliranje
 - redovito čistite mlaznicu G iglicom za čišćenje M ⑩ (najprije skinite otvor za prskanje K s pištolja L)
- Redovito provjeravajte imali li ishabanih i oštećenih komponentata i po potrebi ih popravite/zamijenite
- Čišćenje filtra za vodu
 - skinite filtar za vodu E ② s ulaznog priključka C ② klijestima s dugim nosom
 - isperite ga i vratite na mjesto (zamijenite ga ako je oštećen)
- ! **nikada ne koristite uređaj s oštećenim filtrom**
- Odlaganje ⑪
 - odložite uređaj podalje od dohvata djece, na mjestu gdje temperatura ne premašuje 40°C i ne pada ispod 0°C
 - ne stavljajte druge predmete na uređaj
 - sigurno montirajte vodilicu za odlaganje N na zid pomoću 4 vijka (**nisu isporučeni**) i horizontalno je poravnajte
 - koristite vodilice N i remenje P za odlaganje prema prikazu na slici
- Ako bi uređaj unatoč brižljivih postupaka izrade i ispitivanja ipak prestao raditi, popravak treba prepustiti ovlaštenom servisu za SKIL električne alate
 - uređaj treba **nerastavljeno** predati, zajedno s računom o kupnji u najbližu SKIL ugovornu servisnu

radionicu (popise servisa, kao i oznake rezervnih dijelova uređaja možete naći na adresi www.skil.com)

RJEŠAVANJE PROBLEMA

- Na sljedećem popisu prikazani su simptomi problema, mogući uzroci i korektivne mjere (ako na taj način ne otklonite problem, obratite se dobavljaču ili servisu)
 - ! **isključite uređaj i izvucite utikač prije pokušaja otkrivanja uzroka problema**
- ★ Sprej nije sukladan
 - mlaznica je djelomično blokirana -> očistite je
- ★ Motor se iznenada ne pokreće ili ne zaustavlja
 - kvar mrežne utičnice -> pokušajte priključiti uređaj u neku drugu utičnicu
 - utikač nije priključen -> priključite utikač
 - toplinska zaštita isključila je motor -> pustite da se uređaj ohladi 5 minuta
- ★ Motor radi, ali je prskanje slabo
 - mlaznica je potpuno blokirana -> očistite je
 - začepljen filtar za vodu -> očistite filtar za vodu
 - zrak u pumpi -> provjerite je li ulazni priključak vode sigurno priključen
 - nedovoljan dovod vode -> provjerite je li slavina za vodu dokraja otvorena

ZAŠTITA OKOLIŠA

- **Električne alate, pribor i ambalažu ne bacajte u kućni otpad** (samo za EU-države)
 - prema Europskoj direktivi 2012/19/EG o staroj električnoj i elektroničkoj opremi i njejoj primjeni u skladu sa nacionalnim zakonom, istrošeni električni alati moraju se sakupljati odvojeno i odvesti u posebne pogone za reciklažu
 - na to podsjeća simbol ⑫ kada se javi potreba za odlaganjem

DEKLARACIJA O SUKLADNOSTI CE

- Izjavljujemo uz punu odgovornost da je ovaj proizvod opisan u "Tehnički podaci" usklađen sa sljedećim normama ili normativnim dokumentima: EN 60335, EN 61000, EN 55014 prema odredbama smjernica 2006/95/EG, 2004/108/EG, 2006/42/EG, 2000/14/EG, 2011/65/ EU
- **Tehnička dokumentacija se može dobiti kod:** SKIL Europe BV (PT-SEU/ENG1), 4825 BD Breda, NL

Marijn van der Hoofden
Operations & Engineering

Olaf Dijkgraaf
Approval Manager

SKIL Europe BV, 4825 BD Breda, NL

26.02.2014

CE10

BUCI/VIBRACIJAMA

- Mjereno prema EN 60704-1 prag zvučnog tlaka ovog električnog alata iznosi 81dB(A) a jakost zvuka 93 dB(A) (standardna devijacija: 3 dB), a vibracija < 2,5 m/s² (postupkom na šaci-ruci; nesigurnost K = 1,5 m/s²)

- Pri mjerenju izvedenom u skladu s 2000/14/EG zajamčena razina buke LWA manja je od 97 dB(A) (postupak vrednovanja usklađenosti prema Dodatku V)
- Razina emitiranja vibracija izmjerena je sukladno normiranom testu danom u EN/ISO 5349; ona se može koristiti za usporedbu jedne alatke s drugom, te preliminarnu procjenu izloženosti vibracijama pri uporabi alatke za navedene namjene
 - uporaba ove alatke za druge namjene ili s drugim ili slabo održanim nastavcima, može u značajnoj mjeri **uvećati** razinu izloženosti
 - vrijeme tokom kojega je alatka isključena, ili je uključena ali se njome ne radi, može značajno **umanjiti** razinu izloženosti
- ! **zaštiti se od posljedica vibracija održavanjem alatke i njezinih nastavaka, održavanjem Vaših ruku toplima, te organiziranjem Vaših obrazaca rada**

SRB

Mašina za pranje pod visokim pritiskom 0760

UPUTSTVO

- Ovaj alat projektovan je za čišćenje prostora i predmeta van kuće, vozila i čamaca
- Ovaj alat namenjen je isključivo za upotrebu u domaćinstvu i nije projektovan za rad sa vodom koja ne potiče iz slavine
- Ovaj alat nije namenjen za profesionalnu upotrebu
- **Pažljivo pročitajte ovo uputstvo za upotrebu i sačuvajte ga za kasnije potrebe** ③
- **Posebno obratite pažnju na uputstva o bezbednosti i upozorenja; ukoliko ih ne sledite, može da dođe do ozbiljnih povreda**
- Proverite da li ambalaža sadrži sve delove prikazane na šemi ②
- U slučaju da delovi nedostaju ili su oštećeni, molimo kontaktirati svog prodavca

TEHNIČKI PODACI ①

Radni pritisak (P)	7 MPa
Maksimalni radni pritisak (Pmax)	10 MPa
Ulazni pritisak	0 - 0,6 MPa

ELEMENTI ALATA ②

- A Brava okidača
- B Okidač
- C Ulazni priključak
- D Dovod za vodu
- E Filter za vodu
- F Prekidač napajanja
- G Mlaznica za raspršivanje
- H Boca sa deterdžentom
- J Mlaznica za deterdžent
- K Cev za raspršivanje
- L Pištolj
- M Iгла za čišćenje

- N Šina za odlaganje (zavrtnji nisu priloženi)
- P Remen za odlaganje (2)
- Q Crevo pod visokim pritiskom
- R Odvod za vodu
- S Prorezi za hlađenje
- T Priključak za remenove za odlaganje

SIGURNOST

OPŠTA

- Alat i njegov pribor koristite prema ovom uputstvu za upotrebu i na način koji je propisan za ovaj alat; upotreba alata za radnje koje nisu uobičajene za ovaj alat može dovesti do opasnosti
- **Nikada ne dozvolite da u alat dospeju tečnosti koje sadrže rastvarače, nerazblažene kiseline ili rastvarači (npr. benzin, razređivači za boju, ulje za loženje);** ove tečnosti izazivaju veoma zapaljivu, eksplozivnu i otrovnu raspršujuću paru i takođe izazivaju koroziju komponenti alata
- Aparat koristite samo kada je temperatura u okruženju između 0°C i 40°C
- **Sa radom počnite tek kada su alat i radna oprema u besprekornom stanju i bezbedni za rad**
- Imajte u vidu sile trzaja koje se javljaju prilikom pokretanja mašine za pranje pod visokim pritiskom; pištolj i cev za raspršivanje držite čvrsto i zauzmite stabilan položaj
- Okidač nikada ne stavljajte u položaj tokom rada
- **Nikada ne usmeravajte vodeni mlaz ka drugim licima, životinjama, električnoj opremi koja je pod naponom ili samom alatu** ④
- Aparat nikada ne ostavljajte bez nadzora dok motor radi
- Ne koristite alat na potencijalno eksplozivnim lokacijama
- **Aparat uvek isključite, izvucite utikač iz izvora napajanja i obezbedite da pre vršenja podešavanja, čišćenja ili zamene pribora ne bude vodenog pritiska u alatu i pištolju**

SIGURNOST OSOBA

- Ovaj alat namenjen je za upotrebu osobama (uključujući i decu) sa smanjenim fizičkim, senzorskim ili mentalnim sposobnostima ili sa manjkom iskustva i znanja, a ako im osoba zadužena za njihovu bezbednost nije pružila odgovarajuća pomoć i uputstvo kako koristiti alat
 - Vodite računa da se deca ne igraju sa alatom
 - Nosite odgovarajuću odeću kao zaštitu od prskanja vodom
 - **Ne koristite alat dok se u blizini nalaze druga lica, osim ukoliko ona nose zaštitnu odeću**
 - Ne prskajte materijale koji sadrže azbest i druge materijale koji sadrže supstance štetne po zdravlje
 - Gume/ventile na gumama čistite sa udaljenosti od najmanje 30 cm da biste sprečili njihovo oštećivanje (oštećene gume na vozilima mogu izazvati fatalne nesreće)
 - **Vodeni mlaz ne usmeravajte ka sebi ili drugima da biste čistili odeću ili obuću**
- #### SNABDEVANJE VODOM
- **Koristite isključivo crevo za visok pritisak i spojnicu priloženu uz alat**
 - Oštećeno crevo za visok pritisak zamenite odmah (crevom sa istim specifikacijama)

- Crevo pod visokim pritiskom ne uvijajte i ne prelazite preko njega motornim vozilom
- Crevo pod visokim pritiskom ne dovodite u dodir sa oštrim ivicama ili uglovima
- Spojevi svih creva moraju biti adekvatno zaptiveni
- **Imajte u vidu da raspršena voda koju stvara alat nije za piće**
- Prema važećim propisima alat nikada ne sme da radi na vodovodnoj mreži bez separatora ⑤; treba da se koristi separator koji je u skladu sa EN 12729 tip BA

ELEKTRIČNA SIGURNOST

- Uvek se uverite da je napon struje isti kao i napon naveden na pločici sa nazivom alatu (alati na kojima je naveden napon od 230V ili 240V mogu da rade i na 220V)
- Priključite električni alat pomoću automatskog prekidača za ispad struje (FI) jače od 30 mA
- Neka sve komponente u radnom prostoru koje provode električnu energiju budu zaštićene od prskanja vodom
- Neka svi kablovi budu suvi i iznad tla
- Povremeno proverite kabl i u slučaju oštećenja, odnesite ga kvalifikovanim licu da ga zameni
- Nemojte gaziti, gnječiti ili potezati (produžni) kabl
- Zaštite (produžni) kabl od toplote, ulja i oštrih ivica
- Isključivo koristite produžni kabl koji je namenjen za korišćenje na otvorenom i opremljen vodonepropusnim utikačem i dvostrukom utičnicom otpornom na kvašenje
- Produžni kabl koji koristite mora da bude sasvim odmotan i siguran, sa kapacitetom od 16 A
- Koristite isključivo produžne kablove maksimalne dužine 20 metara (1,5 mm²) ili 50 metara (2,5 mm²)
- Povremeno pregledajte produžni kabl i zamenite ga u slučaju oštećenja (**neodgovarajući produžni kablovi mogu predstavljati opasnost**)
- Nikada ne dodirujte utikač napajanja mokrim rukama
- Uvek isključite alat i izvucite utikač iz izvora napajanja ukoliko je kabl napajanja ili produžni kabl presečen, oštećen ili zapleten (**kabl ne dodirujte pre nego što izvučete utikač**)

UPUTSTVO ZA KORIŠĆENJE

- Uputstvo za sastavljanje ⑥
 - redosled brojeva prikazanih na crtežu odgovara redosledu koraka kojih se valja pridržavati prilikom sklapanja mašine za pranje pod visokim pritiskom
 - iz predostrožnosti, pritisnite bravu okidača A da biste izbegli B slučajno aktiviranje okidača
- Veza za snabdevanje vodom ⑦
 - zavrnite dovodni priključak C na dovod vode D
 - ! **nikada ne koristite dovodni priključak C bez filtera za vodu E**
 - spojite crevo za snabdevanje vodom (nije priloženo) sa slavinom za vodu i dovodnim priključkom C
 - ! **obebedite da temperatura ulazne vode ne premašuje 40°C** (ukoliko je dan topao, pre spajanja sa slavinom pustite vodu da teče dok se ne ohladi)
- Rukovanje alatom ⑧
 - neka alat bude postavljen na čvrstu podlogu i u vertikalnom položaju
 - priključite alat na izvor napajanja (neka prekidač napajanja F bude u položaju "isključeno")
 - otvorite slavinu za vodu

- pritisnite bravu okidača A da biste otpustili okidač B
- pritisnite okidač do kraja B da biste ispustili vazduh koji je eventualno zarobljen u alatu ili crevu za dovod vode
- otpustite okidač B i pritisnite bravu okidača A
- uključite alat pritiskom na dugme "I" na prekidaču napajanja F
- posle uključivanja, motor počinje da radi, da bi posle nekoliko sekundi bio dostignut maksimalni pritisak
- pritisnite bravu okidača A, usmerite mlaznicu za raspršivanje G ka prostoru predviđenom za pranje, zatim pritisnite okidač B
- prebacivanje između koncentrisanog mlaza vode i širokog mlaza vršite okretanjem mlaznice G
- po otpuštanju okidača B, motor prestaje da radi posle nekoliko sekundi, nakon postizanja maksimalnog pritiska
- isključite alat pritiskom na dugme "O" na prekidaču napajanja F
- zatvorite slavinu za vodu
- okidač držite pritisnutim do kraja B dok alat ne ostane bez vodenog pritiska
- posle upotrebe, pritisnite bravu okidača A da biste izbegli B slučajno aktiviranje okidača
- izvucite utikač iz izvora napajanja
- odspojite crevo za dovod vode od alata i slavine za vodu
- Upotreba boce za deterdžent ⑨
 - ! **obebedite da je okidač zabavljen, a prekidač napajanja u poziciji "isključeno"**
 - odvrnite bocu H sa mlaznice za deterdžent J i napunite je biodegradabilnim deterdžentom podnesnim za primenu u mašinama za pranje pod visokim pritiskom (**upotreba drugih deterdženata ili hemikalija može negativno uticati na bezbednost korišćenja alata**)
 - ! **nemojte koristiti nerazblažene deterdžente**
 - zavrnite napunjenu bocu H na mlaznicu deterdženta J
 - uklonite cev K sa pištolja L i umesto nje montirajte mlaznicu za deterdžent J kako je prikazano na ilustraciji
 - pritisnite bravu okidača A, usmerite mlaznicu za deterdžent J ka prostoru predviđenom za pranje, zatim pritisnite okidač B
 - ! **deterdžent ne izlazi pod visokim pritiskom**

SAVETI ZA PRIMENU

- Prilikom upotrebe boce za deterdžent H
 - ! **pročitajte etiketu na deterdžentu za dodatna uputstva**
 - uvek najpre pokvasite predmet
 - nanosite deterdžent na predmet odozdo nagore
 - ostavite deterdžent da deluje, ali nikada ne dozvolite da se osuši
 - isperite od vrha nadole
- Za više saveta pogledajte www.skil.com

ODRŽAVANJE / SERVIS

- Ovaj alat nije namenjen za profesionalnu upotrebu
- **Pre radova na održavanju, uvek isključite alat, obezbedite da alat i pištolj budu bez vodenog pritiska, isključite utikač iz izvora napajanja, i odspojite alat od dovoda vode**
- Alat i kabl uvek održavajte čistim (posebno otvore za hlađenje S ②)
 - nemojte koristiti vodu, razređivače ili sredstva za poliranje
 - redovno čistite mlaznicu za raspršivanje G pomoću igle za čišćenje M ⑩ (najpre uklonite cev za raspršivanje K sa pištolja L)
- Redovno proveravajte da li ima pohabanih ili oštećenih delova i izvršite popravku/zamenu kada je to potrebno
- Čišćenje filtera za vodu
 - skinite filter za vodu E ② sa dovodnog priključka C ② pomoću dugih klešta
 - potpuno ga isperite i vratite na mesto (zamenite ga ukoliko je oštećen)
- ! **nikada ne koristite alat čiji je filter za vodu oštećen**
- Skladištenje ⑪
 - alat čuvajte van domašaja dece, na mestu gde temperatura okoline neće prelaziti 40°C niti padati ispod 0°C
 - na alat nemojte stavljati druge predmete
 - šinu za odlaganje dobro pričvrstite N za zid pomoću 4 zavrtnja (**nisu priloženi**) u horizontalnom položaju
 - koristite šinu N i remenove za odlaganje P na način prikazan na ilustraciji
- Ako bi alat i pored brižljivog postupka izrade i kontrole nekada otkazao, popravku mora vršiti neki autorizovani servis za SKIL-električne alate
 - pošaljite **nerastavljeni** alat zajedno sa potvrdom o kupovini vašem nabavljaču ili najbližem SKIL servisu (adrese i oznake rezervnih delova možete naći na www.skil.com)

REŠAVANJE PROBLEMA

- Na spisku koji sledi dati su simptomi problema, mogući uzroci i postupci namenjeni njihovom otklanjanju (ukoliko ovim putem problem ne bude otkriven, obratite se prodavcu ili servisu)
 - ! **isključite alat i izvucite utikač pre nego što se posvetite istraživanju problema**
- ★ Mlaz nije ujednačen
 - mlaznica delimično zapušena -> pročistiti mlaznicu
- ★ Motor se ne pokreće ili se naglo zaustavlja
 - neispravna utičnica napajanja -> upotrebite drugu utičnicu
 - utikač nije uključen -> uključite utikač
 - temperaturna zaštita isključila motor -> ostaviti alat da se hladi 5 minuta
- ★ Motor radi, ali je mlaz slab
 - mlaznica potpuno zapušena -> pročistiti mlaznicu
 - filter za vodu zapušten -> očistiti filter za vodu
 - vazduh u pumpi -> obezbediti da je priključak za dovod vode čvrsto postavljen
 - neodgovarajuće snabdevanje vodom -> proveriti da li je slavina za vodu sasvim otvorena

ZAŠTITA OKOLINE

- **Električne alate, pribora i ambalaže ne odlažite u kućne otpatke** (samo za EU-države)
 - prema Evropskoj direktivi 2012/19/EG o staroj električnoj i elektronskoj opremi i njenoj upotrebi u skladu sa nacionalnim pravom, električni alati koji su istrošeni moraju biti sakupljeni odvojeno i dostavljeni pogonu za reciklažu
 - simbol ⑫ će vas podsetiti na to

DEKLARACIJA O USKLAĐENOSTI CE

- Izjavljujemo na vlastitu odgovornost da je pod "Tehnički podaci" opisani proizvod usaglašen sa sledećim standardima ili normativnim aktima: EN 60335, EN 61000, EN 55014 prema odredbama smernica 2006/95/EG, 2004/108/EG, 2006/42/EG, 2000/14/EG, 2011/65/EU
- **Tehnička dokumentacija kod:** SKIL Europe BV (PT-SEU/ENG1), 4825 BD Breda, NL

Marijn van der Hoofden
Operations & Engineering

Olaf Dijkgraaf
Approval Manager

SKIL Europe BV, 4825 BD Breda, NL

26.02.2014

CE10

BUKA/VIBRACIJE

- Mereno u skladu sa EN 60704-1 nivo pritiska zvuka ovog alata iznosi 81 dB(A) a jačina zvuka 93 dB(A) (normalno odstupanje: 3 dB), a vibracija < 2,5 m/s² (mereno metodom na šaci-ruci; nesigurnost K = 1,5 m/s²)
- Garantovani nivo jačine zvuka LWA, izmeren u skladu sa 2000/14/EG niži je od 97 dB(A) (postupak ocene usaglašenosti prema Dodatku V)
- Nivo emisije vibracija izmeren je u skladu sa standardizovanim testom datim u EN/ISO 5349; on se može koristiti za upoređenje jedne alatke sa drugom, kao i za preliminarnu procenu izloženosti vibracijama pri korišćenju ove alatke za pomenute namene
 - korišćenje alatke u drugačije svrhe ili sa drugačijim ili slabo održavanim nastavcima može značajno **povećati** nivo izloženosti
 - vreme kada je alatka isključena ili kada je uključena, ali se njome ne radi, može značajno **smanjiti** nivo izloženosti
- ! **zaštitite se od posledica vibracija održavanjem alatke i njenih nastavaka, održavajući Vaše ruke toplim i organizovanjem Vaših radnih obrazaca**

UVOD

- To orodje je oblikovano za čiščenje površin in predmetov zunaj hiš, vozil ter plovil
- Orodje je namenjeno izključno uporabi doma in zgolj z vodo iz vodovoda
- Orodje ni namenjeno profesionalni uporabi
- **Pred uporabo pazljivo preberite navodila za uporabo in jih shranite, da jih boste lahko uporabljali tudi v prihodnosti** ③
- **Posebno pozornost namenite navodilom in opozorilom o varnosti; če jih ne boste upoštevali, lahko pride do hudih poškodb**
- Preglejte, ali embalaža vsebuje vse dele, prikazane na skici ②
- V primeru manjkajočih ali okvarjenih delov se obrnite na prodajalca

TEHNIČNI PODATKI ①

Delovni tlak (P)	7 MPa
Največji delovni tlak (P _{najv.})	10 MPa
Vhodni tlak	0—0,6 MPa

DELI ORODJA ②

- A Zaklep sprožilne ročice
- B Sprožilna ročica
- C Vhodni priključek
- D Dovodna odprtina
- E Vodni filter
- F Omrežno stikalo
- G Razpršilna šoba
- H Posoda za čistilo
- J Šoba za čistilo
- K Razpršilna sulica
- L Ročna pištola
- M Čistilna igla
- N Obešalnik za shranjevanje (**vijaki niso vključeni v obseg dobave**)
- P Trak za shranjevanje (2)
- Q Visokotlačna cev
- R Odvodna odprtina
- S Ventilacijske reže
- T Sponka za trak za shranjevanje

VARNOST

SPLOŠNO

- Uporabljajte orodje in pribor ustrezno z navodili za uporabo in glede na namen uporabe orodja; uporaba orodja za dela, ki so različna od normalne uporabe lahko pripeljejo do nevarnih situacij
- **V posodo ne vlivajte tekočin, ki vsebujejo topila, nerazredčenih kislin ali toplil (npr. bencin, razredčevalci barve, kurilno olje)**, saj ti proizvajajo visoko vnetljive, eksplozivne in strupene razpršene hlape ter povzročajo rjavenje komponent orodja

- Orodje uporabljajte zgolj pri temperaturi okolice med 0—40°C
- **Orodje in priključeno opremo uporabljajte zgolj, če so ti v brezhibnem stanju ter varni za uporabo**
- Bodite pozorni na reakcijske sile ob vklopu visokotlačnega čistilnika; močno primite ročno pištolo in razpršilno sulico ter zavzemite varen položaj
- Sprožilne ročice med delovanjem orodja ne zaklepajte
- **Vodnega curka ne usmerjajte v ljudi, živali, vklopljeno električno opremo ali orodje** ④
- Orodja nikoli ne pustite brez nadzora med delovanjem motorja
- Orodja ne uporabljajte na morebitnih eksplozivnih mestih
- **Orodje vselej izklopite, vtič izključite iz napajalnika in pred nastavitvami, čiščenjem ali menjavo dodatkov zagotovite, da voda v orodju ter ročni pištoli ni pod tlakom**

OSEBNA VARNOST

- To orodje ni namenjeno uporabi s strani oseb (vključujoč tudi otroke) z zmanjšanimi fizičnimi, senzoričnimi ali mentalnimi sposobnostmi, oz. s premalo izkušenj ali znanja, edino, če slednji niso bili primerno usposobljeni iz inštruirani za uporabo tovrstnega orodja, s strani osebe, ki je odgovorna za njihovo varnost
- Zagotovite, da se otroci ne bodo igrali z orodjem
- Nosite ustrezna zaščitna oblačila, ki vas bodo ščitila pred pljuski vode
- **Orodja ne uporabljajte v bližini drugih oseb, razen če te nosijo zaščitna oblačila**
- Ne pršite materialov z vsebnostjo azbesta ali drugih materialov, ki vsebujejo zdravju škodljive snovi
- V izogib poškodbam pnevmatik/ventilov pnevmatik jih čistite na oddaljenosti vsaj 30 cm (poškodovane pnevmatike lahko vodijo v nezgode s smrtnim izidom)
- **Oblačil ali obuval ne čistite z usmerjanjem vodnega curka vase ali v druge osebe**

DOVOD VODE

- **Uporabljajte zgolj visokotlačno cev in spojke, priložene orodju**
- Poškodovano visokotlačno cev takoj nadomestite z novo (z enakimi tehničnimi zahtevami)
- Ne zapletajte visokotlačne cevi oz. je ne povozite z vozilom
- Visokotlačne cevi ne približujte ostrim robovom
- Preverite, ali imajo vse priključne cevi ustrezno zatesnjene spoje
- **Pomnite, da z orodjem razpršena voda ni pitna**
- V skladu z veljavnimi predpisi orodje ne sme nikoli delovati brez ločilnika sistemov na omrežju za pitno vodo ⑤; uporabiti je potrebno ločilnik sistemov v skladu z EN 12729 tip BA

ELEKTRIČNA VARNOST

- Vedno preverite, če je napetost omrežja enaka napetosti, ki je navedena na tablici orodja (orodje z nazivno napetostjo 230V ali 240V lahko priključite tudi na napetost 220V)
- Priključite orodje preko tokovnega zaščitnega stikala (FI) z občutljivostjo toka največ 30 mA
- Vse prevodne komponente na delovnem območju zaščitite pred pljuski vode
- Priključki naj bodo suhi in naj se ne dotikajo tal

- Periodično preverjajte kabela in naj ga zamenja strokovnjak v primeru poškodbe
- Ne vozite čez kabel (podaljška) in ga ne zvijajte ali vlecite
- Kabel (podaljšek) zaščitite pred vročino, oljem in ostrimi robovi
- Uporabljajte samo podaljške kabla, ki so namenjeni zunanji uporabi ter so opremljeni s vtičem in vtičnico, odpornima proti vlagi
- Uporabljajte povsem iztegnjene in varne električne podaljške, z jakostjo 16 amperov
- Uporabljajte zgolj podaljške dolžine največ 20 metrov (preseka 1,5 mm²) ali 50 metrov (preseka < 2,5 mm²)
- Redne pregledujte podaljšek kabla, poškodovane podaljške pa menjajte (**uporaba neustreznega podaljška je lahko nevarna**)
- Omrežnega stikala se ne dotikajte z mokrimi rokami
- Vselej izklopite orodje in izvlecite električni vtič iz vtičnice, če je napajalni kabel ali podaljšek prezezan, poškodovan, ali če se zaplete (**kabla se ne dotikajte, dokler ne izvlečete vtiča iz vtičnice**)

UPORABA

- Navodila za sestavljanje ⑥
 - zaporedje števil na sliki se ujema z zaporedjem korakov za izvedbo pri sestavljanju visokotlačnega čistilnika
 - zaradi varnosti pritisnite zaklep sprožilne ročice A, da preprečite njen B nenamerni vklop
- Priključitev dovoda vode ⑦
 - vhodni priključek C privijte v dovodno odprtinoD
- ! **vhodnega priključka ne nameščajte C brez vodnega filtra E**
 - vodovodno cev (ni priložena) priključite v vodovodno pipo in vhodni priključek C
- ! **temperatura dovajane vode naj ne presega 40 °C** (ob visokih temperaturah pred priključitvijo na vodovodno pipo pustite vodo teči, da se ohladi)
- Upravljanje orodja ⑧
 - orodje navpično postavite na trdno površino
 - orodje priključite v omrežno napajanje (preverite, ali je omrežno stikalo F izklopljeno)
 - odprite vodovodno pipo
 - sprožilno ročico B sprostite s pritiskom njenega zaklepa A
 - za izpust morebitnega ujetega zraka iz orodja ali vodovodne cevi povsem pritisnite sprožilno ročico B
 - sprožilno ročico B sprostite in pritisnite njen zaklep A
 - orodje vklopite s pritiskom gumba "I" omrežnega stikala F
 - po vklopu motor teče do dosega največjega tlaka, tj. nekaj sekund
 - pritisnite zaklep sprožilne ročice A, razpršilno šobo G usmerite na mesto čiščenja ter povlecite sprožilno ročico B
 - z obračanjem šobe G preklaplajte med usmerjenim in široko razpršenim curkom vode
 - ob sprostitvi sprožilne ročice B motor po dosegu največjega tlaka, tj. po nekaj sekundah, preneha teči
 - orodje izklopite s pritiskom gumba "O" omrežnega stikala F
 - zaprite vodovodno pipo

- povsem pritisnite sprožilno ročico B, dokler voda v orodju ni več pod tlakom
- po uporabi pritisnite zaklep sprožilne ročice A, da preprečite njen B nenamerni vklop
- izvlecite električni vtič iz vtičnice
- vodovodno cev izključite iz orodja in vodovodne cevi
- Uporaba posode za čisto ⑨
 - ! **preverite, ali je sprožilna ročica zaklenjena, omrežno stikalo pa izklopljeno**
 - posodo H odvijte iz šobe za čisto J in jo napolnite z biološko razgradljivim čistilom, primernim za uporabo v visokotlačnih čistilnikih (**druga čistila lahko negativno vplivajo na varnost orodja**)
 - ! **ne uporabljajte nerazredčenih čistil**
 - napolnjeno posodo H privijte v šobo za čisto J
 - sulico K odstranite iz ročne pištole L in namesto nje namestite šobo za čisto J, kot je prikazano
 - pritisnite zaklep sprožilne ročice A, šobo za čisto J usmerite na mesto čiščenja in povlecite sprožilno ročico B
 - ! **čisto ne bo razpršeno pod visokim tlakom**

UPORABNI NASVETI

- Za več informacij ob uporabi posode za čisto H
 - ! **si oglejte etiketo čistila**
 - vselej najprej zmočite predmet
 - čisto začnite nanašati na predmet od spodaj navzgor
 - počakajte toliko časa, da čisto prične učinkovati, vendar ne toliko, da se posuši
 - začnite spirati od zgoraj navzdol
- Za več nasvetov glejte pod www.skil.com

VZDRŽEVANJE/SERVISIRANJE

- Orodje ni namenjeno profesionalni uporabi
- **Pred vzdrževanjem vselej izklopite orodje, zagotovite, da voda v orodju in ročni pištoli ni pod tlakom, izključite vtič iz napajalnika ter orodje izključite iz vodovoda**
- Priključni kabel in orodje naj bosta vedno čista (posebej še prezračevalne odprtine S ②)
 - ne uporabljajte vode, topil ali loščil
 - razpršilno šobo G redno čistite s čistilno igloM ⑩ (razpršilno sulico K najprej odstranite iz ročne pištole L)
- Redno pregledujte rabljene ali poškodovane delov in jih po potrebi posredujte v popravilo ali jih menjajte
- Čiščenje vodnega filtra
 - vodni filter E ② s ploščatimi kleščami odstranite iz vhodnega priključkaC ②
 - sperite ga in ga znova namestite (poškodovane pa menjajte)
- ! **ne uporabljajte orodja z okvarjenim vodnim filtrom**
- Shranjevanje ⑪
 - orodje shranjujte zunaj dosega otrok in na mestu, kjer temperatura okolice ne presega 40 °C ali pade pod 0 °C
 - na orodje ne polagajte nobenih predmetov

- s štirimi vijaki (**niso vključeni v obseg dobave**) obešalnik za shranjevanje N previdno pritrde vodoravno na steno
- obešalnice N in kaveljček za shranjevanje P uporabljajte, kot prikazano
- Če bi kljub skrbnima postopkoma izdelave in preizkušanja prišlo do izpada delovanja orodja, naj popravilo opravi servisna delavnica, pooblaščen za popravila SKILevih električnih orodij
 - pošljite **nerazstavljeno** orodje skupaj s potrdilom o nakupu pri vašemu prodajalcu v najbližjo SKIL servisno delavnico (naslovi, kot tudi spisek rezervnih delov se nahaja na www.skil.com)

ODPRAVLJANJE NAPAK

- V naslednjem seznamu navedeni znaki težav, možni vzroki in ustrezni ukrepi za odpravljanje težav (če to ne pripomore k odkrivanju in odpravljanju težav, se obrnite na vašega prodajalca ali servisno delavnico)
 - ! **preden raziščete težavo, izklopite orodje in izvlecite vtič iz vtičnice**
 - ★ Pršenje s prekinitevami
 - delno zamašena šoba -> šobo očistite
 - ★ Motor se ne zažene ali pa se nepričakovano ustavi
 - vtičnica je poškodovana -> uporabite drugo vtičnico
 - kabel ni priključen -> priključite kabel
 - toplotna zaščita je izklopila motor -> orodje naj se ohlaja pet minut
 - ★ Motor teče, pršenje pa je kljub temu neustrezno
 - povsem zamašena šoba -> šobo očistite
 - zamašen vodni filter -> očistite vodni filter
 - zrak v črpalki -> preverite, ali je dovodni priključek varno pritrjen
 - nezadostna oskrba z vodo -> preverite, ali je vodovodna pipa povsem odprta

OKOLJE

- **Električnega orodja, pribora in embalaže ne odstranjujte s hišnimi odpadki** (samo za države EU)
 - v skladu z Evropsko direktivo 2012/19/EG o odpadni električni in elektronski opremini in z njenim izvajanjem v nacionalni zakonodaji je treba električna orodja ob koncu njihove življenjske dobe ločeno zbirati in jih predati v postopek okolju prijaznega recikliranja
 - ko je potrebno odstranjevanje, naj vas o načinu spomni simbol ②

IZJAVA O SKLADNOSTI CE

- Izjavljamo pod izključno odgovornostjo, da proizvod pod "Tehnični podatki" ustreza naslednjim standardom oz. standardiziranim dokumentom: EN 60335, EN 61000, EN 55014 v skladu z določili direktiv 2006/95/ES, 2004/108/ES, 2006/42/ES, 2000/14/ES, 2011/65/EU

- **Tehnična dokumentacija se nahaja pri:**
SKIL Europe BV (PT-SEU/ENG1), 4825 BD Breda, NL

Marijn van der Hoofden Olaf Dijkgraaf
Operations & Engineering Approval Manager




SKIL Europe BV, 4825 BD Breda, NL

26.02.2014

CE10

HRUP/VIBRACIJA

- Izmerjeno v skladu s predpisom EN 60704-1 je raven zvočnega pritiska za to orodje 81 dB(A) in jakosti zvoka 93 dB(A) (standarden odmik: 3 dB), in vibracija < 2,5 m/s² (metoda dlani-roka; netočnost K = 1,5 m/s²)
- Zagotovljeni ravni zvočne moči in zvočnega tlaka (LWA), izmerjeni skladno z direktivo 2000/14/ES sta manjši od 97 dB(A) (postopek ocene skladnosti izdelka je bil opravljen ustrezno prilogi V)
- Raven oddajanja vibracij je bila izmerjena v skladu s standardiziranimi testi, navedenimi v EN/ISO 5349; uporabiti jo je mogoče za primerjavo različnih orodij med seboj in za predhodno primerjavo izpostavljenosti vibracijam pri uporabi orodja za namene, ki so omenjeni
 - uporaba orodja za drugačne namene ali uporaba skupaj z drugimi, slabo vzdrževanimi nastavki lahko znatno **poveča** raven izpostavljenosti
 - čas, ko je orodje izklopljeno ali ko teče, vendar z njim ne delamo, lahko znatno **zmanjša** raven izpostavljenosti
- ! **pred posledicami vibracij se zaščitite z vzdrževanjem orodja in pripadajočih nastavkov, ter tako, da so vaše roke tople, vaši delovni vzorci pa organizirani**

EST

Kõrgsurvepesur

0760

SISSEJUHATUS

- See tööriist on mõeldud alade ja objektide puhastamiseks väljaspool maja, sõidukeid ja paate
- See tööriist on mõeldud kasutamiseks kodumajapidamises ning pole mõeldud kasutamiseks muude veeallikate, kui kraaniveega
- Tööriist pole mõeldud professionaalseks kasutamiseks
- **Enne seadme kasutamist lugege kasutusjuhend hoolikalt läbi ja hoidke see edaspidiseks alles** ③
- **Pöörake tähelepanu ohutusjuhiste ja hoiatustele; nende eiramine võib põhjustada raskaid vigastusi**
- Kontrollige, kas pakend sisaldab kõiki jooniseid ② näidatud osi
- Kui komplektist puudub mõni osa, võtke ühendust kohaliku edasimüüjaga

TEHNILISED ANDMED ①

Töörõhk (P)

Maksimaalne töörõhk (Pmax)

Sisselaskerõhk

7 MPa

10 MPa

0 - 0,6 MPa

SEADME OSAD ②

A Päästiku lukk

B Päästik

C Sisselasketsik

D Vee sissevõtt

E Veefilter

F Toitelüliti

G Pihusti düüs

H Pesuaine pudel

J Pesuaine düüs

K Pihustamisotsik

L Veepüstol

M Puhastusnõel

N Hoidik (**kruvid ei kuulu komplekti**)

P Hoiurihm (2)

Q Kõrgsurvevoolik

R Vee väljalase

S Öhutusavad

T Hoiurihmade ühendus

OHUTUS

ÜLDIST

- Kasutage seadet ja selle lisatarvikuid ainult vastavalt käesolevas kasutusjuhendis kirjeldatud ning seadme jaoks ettenähtud viisil; seadme kasutamine tööoperatsioonideks, mille teostamiseks see pole ette nähtud, võib põhjustada ohtliku olukorra
- Ärge tõmmake sisse lahusteid sisaldavaid vedelikke, lahjendamata happeid või lahusteid (nt bensiin, värvivedelid, kütteõli); need vedelikud väljastavad kergesti süttivaid, plahvatusohtlikke ja mürgiseid gaase ning korrodeerivad tööriista komponente**
- Kasutage tööriista vaid ümbritsevas temperatuurivahemikus 0 °C kuni 40 °C
- Alustage tööd ainult siis, kui tööriist ja vahendid on suurepärasel korras ja neid on ohutu kasutada**
- Arvestage kõrgsurvepesuri käivitamisel tagasilöögiõududega; hoidke veepüstolit ja pihustiotsikut tugevalt käes ja võtke kindel tööasend
- Ärge kinnitage päästikut tööasendisse
- Ärge suunake veejuga teistele inimestele, loomadele, voolu all olevatele elektriseadmetele ega tööriistale endale ④**
- Ärge jätke töötava mootoriga tööriista järelevalveta
- Ärge kasutage tööriista plahvatusohtlikus keskkonnas
- Lülitage tööriist välja, eraldage see toiteallikast ja veenduge, et tööriistas ega veepüstolis pole veesurvet enne, kui tööriista reguleerite, puhastate või tarvikuid vahetate**

INIMESTE TURVALISUS

- Seade ei ole mõeldud kasutamiseks isikutele (sh lastele), kellel on puudulikud füüsilised, sensoorsed või vaimsed võimed või kellel puudub kogemus ja teadmised, välja arvatud juhul, kuid nad töötavad nende ohutuse eest vastutava isiku järelevalve või juhendamise all

- Kindlustage, et lapsed ei mängiks seadmega
- Kandke veepritsmete eest kaitsevaid rõivaid
- Ärge kasutage tööriista kõrvaliste isikute läheduses, kui nad ei kannu kaitserõivaid**
- Ärge pihustage asbesti ja muid tervisele ohtlikke aineid sisaldavaid materjale
- Puhastage rehve/rehvide ventile minimaalselt 30 cm kauguselt, et vältida nende kahjustamist (kahjustatud sõidukirehvid võivad põhjustada surmavaid õnnetusi)
- Ärge suunake veejuga rõivaste või jalatsite puhastamiseks otse endale ega teistele**

VEEALLIKAS

- Kasutage ainult koos tööriistaga tarnitud kõrgsurvevoolikut ja liitmikke**
- Vahetage kahjustatud kõrgsurvevoolik viivitamatult välja (samadele spetsifikatsioonidele vastava voolikuga)
- Ärge sõitke mootorsõidukiga kõrgsurvevoolikule ega keerake seda sõlme
- Ärge puutuge kõrgsurvevoolikuga vastu teravaid servi või nurkaid
- Veenduge, et kõigi ühendusvoolikute ühendused on korralikult tihendatud
- Pidage meeles, et tööriista poolt väljastatav veejuga pole joodav**
- Vastavalt kehtivatele eeskirjadele ei tohi seadet kunagi kasutada ilma joogiveevõrgu juurde paigaldatud süsteemialdajata ⑤; kasutada tuleb standardile EN 12729 tüüp BA vastavat süsteemialdajata

ELEKTRIOHUTUS

- Kontrollige alati, kas võrgupinge ühtib tööriista andesildil toodud pingega (andesildil toodud 230V või 240V korral võib tööriistad kasutada ka 220V võrgupinge puhul)
- Kasutage maksimaalselt 30 mA käivitusvooluga rikkevoolu-kaitseülilitit (FI)
- Veenduge, et kõik tööalal elektrit juhtivad komponendid on vee vastu kaitstud
- Hoidke juhtmeühendused kuivad, ärge laske neil vastu maapinda puutuda
- Kontrollige juhet regulaarselt ja laske kahjustatud juhe ilmlemisel vastava kvalifikatsiooniga isikul välja vahetada
- Ärge komistage (pikendus)juhtme otsa, muljuge ega venitage seda
- Hoidke (pikendus)juhe eemal kuumusest, õlidest ja teravatest servadest
- Kasutage üksnes välitingimustes kasutamiseks ette nähtud pikendusjuhet, mis on varustatud veekindla pistikupesaga
- Pikendusjuhtmete kasutamisel jälgige, et juhe oleks lõpuni lahti keritud ja vastaks 16 A voolutugevusele
- Kasutage ainult kuni 20 meetri (1,5 mm²) või kuni 50 meetri (2,5 mm²) pikkuseid pikendusjuhtmeid
- Kontrollige pikendusjuhet regulaarselt ja kui juhe on vigastatud, vahetage see välja (**mittevastavad pikendusjuhtmed võivad olla ohtlikud**)
- Ärge puudutage pistikupespa märgade kättega
- Lülitage alati seade välja ja ühendage see vooluvõrgust lahti, kui toitejuhe või pikendusjuhe on läbilõigatud, kahjustatud või sõlme läinud (**ärge puudutage juhet enne pistiku lahti ühendamist**)

KASUTAMINE

- Paigaldusjuhised ⑥
 - joonisel esitatud numbrite järjekord vastab sammude järjekorrale, mida tuleb kõrgsurvepesuri kokkupanemisel järgida
 - ohutusabinõuna vajutage päästiku lukku A, et vältida päästiku B tahtmatut aktiveerimist
- Veeallikaga ühendamine ⑦
 - ühendage sisselaskeotsik C vee sisselaskega D
 - ! **ärge kasutage sisselaskeotsikut C veefiltrita E**
 - ühendage veeallika voolik (ei kuulu komplekti) veekraani ja sisselaskeotsikuga C
 - ! **veenduge, et siseneva vee temperatuur ei ületa 40 °C** (kuumal päeval laske veel joosta, kuni see jahtub, enne kui veekraaniga ühenduse loote)
- Seadme kasutamine ⑧
 - veenduge, et tööriist on paigaldatud kindlale alusele ja püsib vertikaalselt
 - ühendage tööriist toiteallikaga (veenduge, et toitelüliti F on välja lülitatud asendis)
 - avage veekraan
 - vajutage päästiku lukku A, et päästik B vabastada
 - vajutage päästik B täielikult alla, et vabastada tööriistast või veevoolikust sinna jäänud õhk
 - vabastage päästik B ja vajutage päästiku lukku A alla
 - lülitage tööriist sisse, milleks vajutage nuppu "I" toitelüliti F
 - pärast sisselülitamist käivitub mootor mõneks sekundiks, kuni saavutatakse maksimaalne surve
 - vajutage päästiku lukku A, suunake pihusti düüs G pestavale alale, seejärel vajutage päästikut B
 - vahetage suunatud veejooja ja vee laia piserdamise vahel, selleks keerake düüsi G
 - päästiku vabastamisel B mootor seiskub mõneks sekundiks, kui saavutatakse maksimaalne surve
 - lülitage tööriist välja, milleks vajutage nuppu "O" toitelüliti F
 - sulgege veekraan
 - vajutage päästik B täielikult alla, kuni tööriistas pole enam veesurvet
 - pärast kasutamist vajutage päästiku lukku A, et vältida päästiku B tahtmatut aktiveerimist
 - eemaldage pistik vooluvõrgust
 - eraldage veevoolik tööriista ja veekraani küljest
- Pesuvahendi pudeli kasutamine ⑨
 - ! **veenduge, et päästik on lukustatud ning toitelüliti välja lülitatud**
 - keerake pudel H pesuainedüüsi J küljest lahti ja täitke see biolaguneva pesuainega, mis sobib kõrgsurvepesuriga kasutamiseks (**muude pesuvahendite või kemikaalide kasutamine võib tööriista ohutust mõjutada**)
 - ! **ärge kasutage lahjendamata pesuvahendeid**
 - keerake täidetud pudel H pesuvahendis düüsi J külge
 - eemaldage otsik K veepüstoli L küljest ja paigaldage selle asemele pesuvahendi düüs J, nagu joonisel näidatud
 - vajutage päästiku lukku A, suunake pesuvahendi düüs J pestavale alale, seejärel vajutage päästikut B
 - ! **pesuvahend ei välju suure surve all**

TÖÖJUHISED

- Pesuvahendi pudeli H kasutamine
 - ! **täiendavad juhised leiate pesuvahendi sildilt**
 - tehke pestav objekt esmalt alati märjaks
 - suunake pesuvahend pestavale objektile altpoolt üles
 - andke pesuvahendile aega mõjumiseks, kuid ärge laske sel kuivada
 - loputage ülevalt allapoole
- Rohkem nõuandeid leiate aadressil www.skil.com

HOOLDUS/TEENINDUS

- Tööriist pole mõeldud professionaalseks kasutamiseks
- **Enne hooldamist lülitage tööriist alati välja, veenduge, et tööriistas ja veepüstolis pole veesurvet, eraldage pistik toiteallikast ja eraldage tööriist veeallikast**
- Hoidke seade ja toitejuhe alati puhtad (eriti õhutusavad S ②)
 - ärge kasutage vett, lahusteid ega poleerimisvahendeid
 - puhastage pihustidüüsi G puhastusnõelaga M ⑩ regulaarselt (eraldage esmalt pihustiotisk K veepüstoli L küljest)
- Kontrollige regulaarselt, kas komponendid on kulunud või kahjustatud; vajadusel parandage või asendage need
- Veefiltri puhastamine
 - eemaldage veefilter E ② pikkade näpitstangidega sisselaskeotsiku C ② küljest
 - loputage see puhtaks ja asetage tagasi (kui see on kahjustatud, vahetage see välja)
- ! **ärge kasutage tööriista, kui veefilter on kahjustatud**
- Hoistamine ⑪
 - hoistage tööriista lastele ligipääsematus kohas, kus temperatuur ei tõuse üle 40 °C ega lange alla 0 °C
 - ärge paigutage tööriistale muid objekte
 - kinnitage hoidik horisontaalselt N nelja kruviga seina külge (**kruidid ei kuulu komplekti**)
 - kasutage hoidikut N aja hoiurihmasid P, nagu joonisel näidatud
- Tööriist on hoolikalt valmistatud ja testitud; kui tööriist sellest hoolimata rikki läheb, tuleb see lasta parandada SKILi elektriliste käsitööriistade volitatud remonditöökojas
- toimetage **lahtimonteerimata** seade koos ostukviitungiga tarnijale või lähimasse SKILi lepingulisse töökotta (aadressid ja tööriista varuosade joonise leiate aadressil www.skil.com)

TÖRKEOTSING

- Järgmises loendis on toodud probleemide tunnused, võimalikud põhjused ja lahendused (kui järgnevad lahendused probleemi ei tuvasta ega lahenda, võtke ühendust edasimüüja või töökojaga)
- ! **enne probleemi uurimist lülitage tööriist välja ja eemaldage see vooluvõrgust**
- ★ Pritsimine pole ühtlane
 - düüs on osaliselt ummistunud -> puhastage düüs
- ★ Mootor ei käivitu või seiskub ootamatult
 - toitepistikupesaga on vigane -> kasutage teist pistikupesaga
 - pistik pole ühendatud -> ühendage pistik
 - soojuskaitse lülitis mootori välja -> laske tööriistal 5 minutit jahtuda

- ★ Mootor töötab, kuid pihustamine on kehv
 - düüs on täielikult ummistunud -> puhastage düüs
 - veefilter on ummistunud -> puhastage veefilter
 - pumbas on õhku -> veenduge, et vee sisselaskeotsik on kindlalt kinnitatud
 - vee tarnimine on ebapiisav -> veenduge, kas veekraan on täielikult avatud

KESKKOND

- **Ärge visake kasutuskõlbmatuks muutunud elektrilisi tööriistu, lisatarvikuid ja pakendeid ära koos olmejäätmetega** (üksnes EL liikmesriikidele)
 - vastavalt Euroopa Parlamendi ja nõukogu direktiivile 2012/19/EÜ elektri- ja elektroonikaseadmete jäätmete kohta ning direktiivi nõuete kohaldamisele liikmesriikides tuleb kasutuskõlbmatuks muutunud elektrilised tööriistad koguda eraldi ja keskkonnasäästlikult korduvkasutada või ringlusse võtta
 - seda meenutab Teile sümbol ⑫

VASTAVUSDEKLARATSIOON C E

- Kinnitame ainuvastutajana, et punktis "Tehnilised andmed" kirjeldatud toode vastab järgmistele standarditele või normdokumentidele: EN 60335, EN 61000, EN 55014 vastavalt direktiivide 2006/95/EÜ, 2004/108/EÜ, 2006/42/EÜ, 2000/14/EÜ, 2011/65/EL nõuetele
- **Tehniline toimik saadaval aadressil:** SKIL Europe BV (PT-SEU/ENG1), 4825 BD Breda, NL

Marijn van der Hoofden
Operations & Engineering

Olaf Dijkgraaf
Approval Manager

SKIL Europe BV, 4825 BD Breda, NL
26.02.2014

C E10

MÜRA/VIBRATSIOON

- Vastavalt kooskõlas normiga EN 60704-1 läbi viidud mõõtmistele on tööriista helirõhk 81dB(A) ja helitugevus 93 dB(A) (standardkõrvalekalle: 3 dB), ja vibratsioon < 2,5 m/s² (kääe- ja randme-meetod; mõõtemääramatus K = 1,5 m/s²)
- Garanteeritud müratase LWA, mis on mõõdetud vastavalt standardile 2000/14/EÜ on väiksem kui 97 dB(A) (vastavuse hindamise meetod vastavalt lisale V)
- Tekkiva vibratsiooni tase on mõõdetud vastavalt standardis EN/ISO 5349 kirjeldatud standarditult testile; seda võib kasutada tööriistade võrdlemiseks ja tööriista kasutamisel ettenähtud töödeks esineva vibratsiooni esialgseks hindamiseks
 - tööriista kasutamisel muudeks rakendusteks või teiste/ halvasti hooldatud tarvikute kasutamisel võib vibratsioon märkimisväärselt **suureneda**
 - ajal, kui tööriist on väljalülitatud või on küll sisselülitatud, kuid tegelikult seda ei kasutata, võib vibratsioon märkimisväärselt **väheneda**

- ! **enda kaitsmiseks vibratsiooni eest hooldage tööriista ja selle tarvikuid korralikult, hoidke oma käed soojad ja tagage sujuv töökorraldus**

LV

Augstspiediena mazgātājs

0760

IEVADS

- Šis instruments ir paredzēts laukumu un priekšmetu mazgāšanai mājas ārpusē, kā arī transportlīdzekļiem un laivām
- Šis instruments ir piemērots tikai mājas lietošanai un darbināšanai ar ūdeni no ūdenskrāna nevis citiem ūdens avotiem
- Šis instruments nav paredzēts profesionālai lietošanai
- **Pirms lietošanas rūpīgi izlasiet šos norādījumus un saglabājiet to vēlākai uziņai** ③
- **Stingri ievērojiet drošības instrukcijas un brīdinošos norādījumus, jo pretējā gadījumā jūs riskējat gūt smagu savainojumu**
- Pārbaudiet vai iepakojums satur visas daļas, kā tas parādīts zīmējumā ②
- Ja kāda no plāvēja daļām trūkst vai ir bojāta, lūdzu, sazinieties ar savu izplatītāju

TEHNISKIE PARAMETRI ①

Darba spiediens (P)	7 MPa
Maksimālais darba spiediens (Pmax)	10 MPa
Ieplūdes spiediens	0 - 0,6 MPa

INSTRUMENTA ELEMENTI ②

- A Sprūda atslēga
- B Sprūds
- C Ieplūdes savienotājs
- D Ūdens ieplūde
- E Ūdens filtrs
- F Strāvas slēdzis
- G Smidzināšanas sprausla
- H Mazgāšanas līdzekļa
- J Mazgāšanas līdzekļa sprausla
- K Smidzināšanas caurule
- L Rokas pistole
- M Tīrīšanas adata
- N Uzglabāšanas statni (**skrūves netiek piegādātas**)
- P Uzglabāšanas siksna (2)
- Q Augstspiediena šļūtene
- R Ūdens izplūde
- S Ventilācijas atveres
- T Savienojums uzglabāšanas siksnam

DROŠĪBA

VISPĀRĒJIE DROŠĪBAS NOTEIKUMI

- Lietojiet instrumentu un tā papildpiederumus saskaņā ar šo Pamācību un atbilstoši paredzētajam uzdevumam; neizmantojiet instrumentu darbiem, kas nav aprakstīti Lietošanas pamācībā, jo tas var radīt bīstamu situāciju

- **Nedrīkst iesūkt šķīdinātāju saturošus šķidrumus, neatšķaidītas skābes vai šķīdinātājus (piem., benzīnu, krāsu atšķaidītājus, šķidro kurināmo);** šie šķidrums rada viegli uzliesmojošu, sprādzienbīstamu un toksisku izsmidzināšanas tvaiku, un tie arī saēd instrumenta detaļas
- Instrumentu lietojiet tikai pie temperatūras no 0°C līdz 40°C
- **Sāciet strādāt tikai tad, kad instruments un darba aprikojums ir labā stāvoklī un drošs darbībai**
- Ņemiet vērā atsitienu spēku, kas rodas, ieslēdzot augstspiediena mazgātāju; turiet rokas pistoli un smidzināšanas cauruli stingri un ieņemiet drošu pozīciju
- Darbības laikā sprūdu nedrīkst nofiksēt pozīcijā
- **Neraidiet tiešu ūdens strūklu pret citiem cilvēkiem, dzīvniekiem, ieslēgtām elektroierīcēm vai pašu instrumentu** ④
- Neatstājiet instrumentu bez uzraudzības, kamēr dzinējs darbojas
- Nedarbiniet instrumentu potenciāli sprādzienbīstamās vietās
- **Pirms regulēšanas, tīrīšanas vai piederumu maiņas, vienmēr izslēdziet instrumentu, atvienojiet kontaktdakšu no strāvas avota un pārliecinieties, ka instrumentā nav rokas pistolē nav ūdens spiediena**

PERSONISKĀ DROŠĪBA

- Šis instruments nav paredzēts ekspluatēt personām (tostarp bērniem) ar ierobežotām fiziskām, uztveres vai garīgām spējām, kā arī tiem, kuriem nav vajadzīgas pieredzes un zināšanu, ja vien persona, kas atbild par drošību, viņus neuzrauga vai nesniedz norādījumus par šī instrumenta lietošanu
- Uzmani, lai bērni nespēlētu ar šo instrumentu
- Valkājiet piemērotu aizsargapģērbu, lai aizsargātos pret ūdens šļakatām
- **Nelietojiet instrumentu, ja tuvumā ir citas personas, ja vien viņi valkā aizsargtērpus**
- Neizsmidziniet azbestu saturošus materiālus un citus materiālus, kuri satur vielas, kas apdraud jūsu veselību
- Riepas/riepu vārstus mazgājiet tikai no minimāli 30 cm attāluma, lai novērstu to bojāšanu (bojāta transportlīdzekļa riepas var izraisīt fatālu nelaimes gadījumu)
- **Nevērsiet ūdens strūklu pret sevi vai citiem, lai mazgātu drēbes vai apavus**

ŪDENSAPGĀDE

- **Izmantojiet tikai augstspiediena šļūtenes un sakabes, kas ietilpst instrumenta komplektā**
- Aizstājiet bojāto augstspiediena šļūteni nekavējoties (ar identisku specifikāciju)
- Nesamezgliojiet augstspiediena šļūtenes vai nebrauciet tām pāri ar automašīnu
- Izvairieties no augstspiediena šļūtenes saskares ar asām malām vai stūriem
- Pārliecinieties, ka visi šļūtenes savienojumi ir atbilstoši noslēgti
- **Ņemiet vērā, ka ar instrumentu izsmidzinātais ūdens nav dzerams**
- Saskaņā ar spēkā esošajiem noteikumiem instruments nedrīkst izmantot bez dzeramā ūdens sistēmas daļtāja ⑤; jāizmanto piemērots sistēmas daļtājs atbilstoši EN 12729 tipam BA

ELEKTRODROŠĪBA

- Vienmēr pārliecinieties, ka spriegums, kas uzrādīts uz instrumenta marķējuma plāksnītes, atbilst padeves spriegumam elektrotīklā (230V vai 240V spriegumam paredzētie instrumenti var darboties arī no 220V elektrotīklā)
- Ja instruments tiek izmantots ārpus telpām, pievienojiet to elektriskajam spriegumam, izmantojot noplūdes strāvas aizsargreleju, kas nostrādā, ja strāva instrumenta aizsargzēmējuma ķēdē pārsniedz 30 mA
- Pārliecinieties, ka visas strāvu vadošās detaļas darba zonā ir aizsargātas pret ūdens šļakatām
- Vadu savienojumus turiet sausus un virs zemes
- Periodiski pārbaudiet kabeli un, atklājot bojājumu, tā nomaīņu drīkst veikt tikai pieredzējis speciālists
- Nedrīkst (pagarinājuma) vadam braukt pāri, nedrīkst to saspiest vai izvilkēt
- Sargājiet (pagarinājuma) vadu no karstuma, eļļas un asām apmalēm
- Lietojiet tikai pagarinātāja vadu, kas paredzēts izmantošanai ārpus telpām un aprīkots ar ūdensnecaurlaidīgu spraudni un sakabes kontaktligzdu
- Lietojiet pilnīgi atbilstošus pagarinātājkaabeļus, kas paredzēti 16 A strāvai
- Izmantojiet tikai pagarinājuma auklas ar maksimālo garumu 20 metri (1,5 mm²) vai 50 metri (2,5 mm²)
- Periodiski pārbaudiet pagarinātāja vadu un nomainiet to, ja tas bojāts (**nepiemērots pagarinājuma vads var būt bīstams**)
- Nedrīkst pieskarties elektrības kontaktdakšai ar mitrām rokām
- Vienmēr izslēdziet instrumentu un atvienojiet kontaktdakšu no strāvas avota, ja barošanas vads vai pagarinātājs ir sagriezti, bojāti vai sapinušies (**nepieskarieties kabeli pirms atvienota kontaktdakšas**)

DARBS

- Montāžas norādījumi ⑥
 - attēlos redzamo skaitļu secība atbilst veicamo pasākumu secībai augstspiediena mazgātāja montāžas laikā
 - drošības piesardzībai nospiediet sprūda atslēgu, A lai izvairītos no sprūda B neaustas aktivizēšanas
- Pievienošana ūdensapgādei ⑦
 - ieskrūvējiet iepļūdes savienotāju C ūdens iepļūdē D
 - ! **nelietojiet iepļūdes savienotāju C bez ūdens filtra E**
 - pievienojiet ūdensapgādes šļūteni (nav komplektā) ūdens krānam un iepļūdes savienotājam C
 - ! **pārliecinieties, ka iepļūstošā ūdens temperatūra nepārsniedz 40 ° C** (karstā dienā pirms savienošanas ar ūdens krānu, teciniet ūdeni, līdz tas atdziest)
- Instrumenta darbināšana ⑧
 - pārliecinieties, ka instruments ir novietots uz cietas pamatnes un vertikālā stāvoklī
 - savienojiet instrumentu ar elektrības piegādi (pārliecinieties, ka strāvas slēdzis F ir izslēgtā stāvoklī)
 - atgrieziet ūdens krānu
 - nospiediet sprūda atslēgu A, lai atlaistu sprūdu B

- pilnībā nospiediet sprūdu B, lai izvadītu no instrumenta vai ūdensapgādes šļūtenes tur esošo gaisu
- atlaidiet sprūdu B un nospiediet sprūda atslēgu A
- ieslēdziet instrumentu, nospiežot pogu "I" uz strāvas slēdža F
- pēc ieslēgšanas dzinējs sāk darboties dažās sekundēs, līdz tiek sasniegts maksimālais spiediens
- nospiediet sprūda atslēgu A, vērsiet smidzināšanas sprauslu G uz mazgāšanas zonu un tad pavelciet sprūdu B
- pagrieziet sprauslu var pārslēgties no koncentrētas ūdens strūkļas uz plaša apjoma smidzināšanu G
- pēc sprūda atlaišanas B dzinējs beidz darboties pēc dažām sekundēm, ja tiek sasniegts maksimālais spiediens
- izslēdziet instrumentu, nospiežot pogu "I" uz strāvas slēdža F
- aizgrieziet ūdens krānu
- pilnībā nospiediet sprūdu B, līdz ūdens spiediena instrumentā vairs nav
- pēc lietošanas nospiediet sprūda atslēgu A, lai izvairītos no sprūda B nejaušas aktivizēšanas
- atvienojiet kontaktdakšu no strāvas avota
- atvienojiet ūdens šļūteni no instrumenta un ūdens krāna
- Mazgāšanas līdzekļa pudeles lietošana ⑨
 - ! **pārliecinieties, ka sprūds ir noslēgts un strāvas slēdzis ir izslēgtā stāvoklī**
 - noskrūvējiet pudeli H no mazgāšanas līdzekļa sprauslas J un uzpildiet to ar mazgāšanas līdzekli, kas bioloģiski sadalās un ir piemērots lietošanai augstspiediena mazgātājā (**citū mazgāšanas līdzekļu un ķīmisku vielu izmantošana var nelabvēlīgi ietekmēt instrumenta drošību**)
 - ! **nelietojiet neatšķaidītus mazgāšanas līdzekļus**
 - uzskrūvējiet pilno pudeli H uz mazgāšanas līdzekļa sprauslas J
 - noņemiet strūkļu K no rokas pistoles L un uzstādiat mazgāšanas līdzekļa sprauslu J tās vietā, kā parādīts
 - nospiediet sprūda atslēgu A, vērsiet mazgāšanas līdzekļa sprauslu J uz mazgāšanas zonu un tad pavelciet sprūdu B
 - ! **mazgāšanas līdzeklis neplūst ārā zem augsta spiediena**

PRAKTISKI PADOMI

- Lietojot mazgāšanas līdzekļa pudeli H,
 - ! **izlasiet papildu instrukcijas uz mazgāšanas līdzekļa uzlīmes**
 - vienmēr priekšmetu vispirms sasalpiniet
 - mazgāšanas līdzekli priekšmetam lietojiet no apakšas uz augšu
 - ļaujiet mazgāšanas līdzeklim iedarboties, bet neļaujiet tam izžūt
 - noskalojiet no augšas un strādājiet leju
- Papildu ieteikumi ir sniegti datortīkla vietnē www.skil.com


APKALPOŠANA / APKOPE

- Šis darbarīks nav paredzēts profesionālai lietošanai
- **Pirms apkopes vienmēr izslēdziet instrumentu, pārliecinieties, ka instrumentā un rokas pistolē nav ūdens spiediena, atvienojiet kontaktdakšu no strāvas avota un atvienojiet instrumentu no ūdensapgādes**
- Uzturiet tīru instrumentu un elektrokabeli (īpaši ventilācijas atveres S ②)
 - nelietojiet ūdeni, šķīdinātājus vai spodrināšanas līdzekļus
 - regulāri tīriet smidzināšanas sprauslu G, lietojot tīrīšanas adatu M ⑩ (noņemiet smidzināšanas cauruli K no rokas pistoles L vispirms)
- Regulāri pārbaudiet, vai kādas detaļas nav bojātas un, ja nepieciešams, tās salabojiet/nomainiet
- Ūdens filtra tīrīšana
 - noņemiet ūdens filtru E ② no iepļūdes savienotāja C ② ar garām plakanaknabīlēm
 - izskalojiet to tīru un ievietojiet to atpakaļ (nomainiet, ja tas ir bojāts)
- ! **nelietojiet instrumentu ar bojātu ūdens filtru**
- Uzglabāšana ①①
 - uzglabājiet instrumentu bērniem nepieejamā vietā, kur apkārtējā temperatūra nepārsniedz 40°C vai nokrītas zem 0°C
 - nenovietojiet uz šī instrumenta citus priekšmetus
 - nostipriniet uzglabāšanas statni N pie sienas ar 4 skrūvēm (**netiek piegādātas**) un horizontāli līmenī
 - lietojiet uzglabāšanas statni N un uzglabāšanas siksnas P, kā parādīts
- Ja, neraugoties uz augsto izgatavošanas kvalitāti un rūpīgo pārbaudīšanu pirms lietošanas, instruments tomēr sabojājās, tas jānogādā remontam firmas SKIL pilnvarotā elektroinstrumentu remonta darbnīcā
 - nogādājiet instrumentu **neizjauktā veidā** kopā ar iegādes dokumentiem tuvākajā tirdzniecības vietā vai firmas SKIL pilnvarotā pēciegādes apkalpošanas un remonta iestādē (adreses un instrumenta apkalpošanas shēma ir sniegta interneta vietnē www.skil.com)

TRAUCĒJUMU NOVĒRŠANA

- Šajā sarakstā ir uzskaitītas problēmas, iespējamie cēloņi un korektīvie pasākumi (ja tās nevar atklāt un novērst šo problēmu, sazinieties ar izplatītāju vai tehniskās apkopes staciju)
 - ! **pirms sākt problēmas izpēti, izslēdziet instrumentu un atvienojiet spraudni**
- ★ Smidzināšana nav vienāda
 - sprausla daļēji bloķēta -> iztīriet sprauslu
- ★ Motors nesāk darboties vai pēkšņi apstājas
 - bojāta strāvas padeves kontaktligzda -> lietojiet citu kontaktligzdu
 - nav savienojuma ar kontaktligzdu -> savienojiet ar kontaktligzdu
 - termiskā aizsardzība izslēdz dzinēju -> ļaujiet instrumentam 5 minūtes atdzist
- ★ Dzinējs darbojas, bet smidzināšana ir vāja
 - sprausla pilnībā bloķēta -> iztīriet sprauslu
 - ūdens filtrs nosprostoies -> iztīriet ūdens filtru
 - sūkņi ir gaiss -> pārliecinieties, ka ūdens iepļūdes savienotājs ir droši uzstādīts
 - nepietiekama ūdensapgāde -> pārbaudiet, vai ūdens krāns ir pilnībā atgriezts

APKĀRTĒJĀS VIDES AIZSARDZĪBA

- **Neizmetiet elektroiekārtas, piederumus un iesaiņojuma materiālus sadzīves atkritumos** (tikai ES valstīm)
 - saskaņā ar Eiropas Savienības direktīvu 2012/19/ES par nolietotajām elektriskajām un elektroniskajām iekārtām un tās atspoguļojumiem nacionālajā likumdošanā, nolietotās elektroiekārtas ir jāsavāc, jāizjauca un jānogādā atsevišķai pārstrādei apkārtējai videi nekaitīgā veidā
 - īpašs simbols  atgādina par nepieciešamību izstrādājumus izlietot videi nekaitīgā veidā

ATBILSTĪBAS DEKLARĀCIJA

- Mēs ar pilnu atbildību paziņojam, ka sadaļā "Tehniskie parametri" aprakstītais izstrādājums atbilst šādiem standartiem vai normatīvajiem dokumentiem: EN 60335, EN 61000, EN 55014, kā arī direktīvām 2006/95/EK, 2004/108/EK, 2006/42/EK, 2000/14/EK, 2011/65/ES
- **Tehniskā dokumentācija no:** SKIL Europe BV (PT-SEU/ENG1), 4825 BD Breda, NL

Marijn van der Hoofden Olaf Dijkgraaf
Operations & Engineering Approval Manager



SKIL Europe BV, 4825 BD Breda, NL

26.02.2014

CE10

TROKSNIS/VIBRĀCIJA



- Saskaņā ar standartu EN 60704-1 noteiktais instrumenta radītā trokšņa skaņas spiediena līmenis ir 81 dB(A) un skaņas jaudas līmenis ir 93 dB(A) (pie tipiskās izkliedes 3 dB), un vibrācijas paātrinājums ir < 2,5 m/s² (roku-delnu metode; izkliede K = 1,5 m/s²)
 - Mērīts saskaņā ar Direktīvu 2000/14/EK garantētais skaņas jaudas līmenis LWA ir zemāks nekā 97 dB (A) (atbilstība ir noteikta saskaņā ar pielikumu V)
 - Vibrācijas līmenis ir noteikts, izmantojot standartā EN/ISO 5349 paredzēto procedūru; to var izmantot, lai salīdzinātu instrumentus un provizoriski izvērtētu vibrācijas iedarbību, lietojot instrumentu minētajiem mērķiem
 - instrumenta izmantošana citiem mērķiem vai ar citiem vai nepietiekami koptiem piederumiem var ievērojami **paliecināt** kopējo vibrācijas iedarbības pakāpi
 - laika periodi, kad instruments ir izslēgts vai arī ir ieslēgts, taču darbs ar to nenotiek, var ievērojami **samazināt** kopējo vibrācijas iedarbības pakāpi
- ! pasargājiet sevi no vibrācijas iedarbības, veicot instrumenta un tā piederumu tehnisko apkopi, novēršot roku atdzišanu un pareizi organizējot darbu**

LT

Aukštaslēgē plovyklē

0760

ĪVADAS

- Šis prietaiss skirtas lauke esantiems plotams ir daiktams, automobiliams ir valtims plauti
- Prietaiss skirtas tuk būitiniams naudojimui, jo negalima jungti prie jokių kitų vandens tiekimo šaltinių, išskyrus vandentiekio čiaupą
- Šis prietaiss neskirtas profesionaliam naudojimui
- **Atidžiai perskaitykite šį vartotojo vadovą ir išsaugokite jį ateičiai** 
- **Ypatingą dėmesį atkreipkite į saugos instrukciją nuorodas bei įspėjamuosius užrašus; jei nepaisysite šių nuorodų, gali kilti sunkių sužeidimų pavojus**
- Tikrinkite, ar pakuotėje yra visos dalys, vaizduojamos 
- Jei trūksta dalių arba jos yra pažeistos, susisiekiu su savo pardavėju

TECHNINIAI DUOMENYS

Darbinis slėgis (P)	7 MPa
Didžiausias darbinis slėgis (Pmax)	10 MPa
Tiekimo slėgis	0–0,6 MPa

PRIETAISO ELEMENTAI

- A** Jungiklio fiksatorius
- B** Jungiklis
- C** Tiekimo jungtis
- D** Vandens tiekimo anga
- E** Vandens filtras
- F** Maitinimo jungiklis
- G** Purškutukas
- H** Ploviklio buteliukas
- J** Ploviklio purškutukas
- K** Purškimo ietis
- L** Pistoletas
- M** Valymo adata
- N** Pakaba (**varžtai nepateikiami**)
- P** Dirželis (2)
- Q** Aukšto slėgio žarna
- R** Vandens išleidimo anga
- S** Ventiliacinės angos
- T** Dirželio kilpa

SAUGA

BENDROJI DALIS

- Prietaisą ir papildomą įrangą naudokite tik tiems darbams ir tik tokiu būdu, kaip yra aprašyta eksploatacijos instrukcijoje; mėginti šiuo prietaisu atlikti instrukcijoje nenumatytus darbus gali būti pavojinga
- **Draudžiama į prietaisą tiekti bet kokius skysčius, kurių sudėtyje yra tirpiklių, neskiestų rūgščių arba tirpiklių (pavyzdžiui, benzino, dažų skiediklių, skysto kuro); naudojant šiuos skysčius, purškiami itin degūs, sprogūs ir nuodingi garai, be to, gali būti sugadintos prietaiso dalys**
- Prietaisą naudokite tik 0–40 °C aplinkos temperatūroje

- **Dirbti pradėkite tik tada, jei prietaisas ir darbinė įranga yra nepriekaištingos būklės ir saugi naudoti**
- Nepamirškite, kad paleidus aukštaslėgę plovyklę atsiranda atitranskos jėgos, todėl tvirtai laikykite pistoletą ir pirkimo ietį ir stabiliai stovėkite
- Dirbant draudžiama užspausti įjungtą jungiklį
- **Draudžiama vandens srovę nukreipti į žmones, gyvūnus, įjungtą elektros įrangą arba patį prietaisą**

④

- Varikliui veikiant nepalikite prietaiso be priežiūros
- Draudžiama prietaisą naudoti vietose, kur yra sproginimo pavojus
- **Prieš reguliuodami, valydami ar keisdami priedus būtinai išjunkite prietaisą, ištraukite maitinimo laido kištuką iš elektros tinklo lizdo ir įsitikinkite, kad prietaise nebėra vandens slėgio**

ŽMONIŲ SAUGA

- Šis prietaisas nėra skirtas naudotis asmenims (įskaitant vaikus), kurie turi menkus fizinius, jutimų ar psichikos sugebėjimus arba kurie stokoja patirties ir žinių; tokius asmenis turi prižiūrėti už jų saugą atsakingas asmuo arba jis turi jiems suteikti instrukcijas dėl prietaiso naudojimo
- Pasirūpinkite, kad vaikai nežaistų su prietaisu
- Kad apsisaugotumėte nuo vandens pusrų, vilkėkite tinkamą apsauginę aprangą
- **Jei šalia yra žmonių, prietaisu galima dirbti tik tada, jeigu jie vilki apsauginę aprangą**
- Nepurškite medžiagų, kurių sudėtyje yra asbesto ar kitų sveikatai pavojingų cheminių medžiagų
- Kad nesugadintumėte, padangas ir jų ventilius plaukite iš ne mažesnio kaip 30 cm atstumo (dėl sugadintų automobilio padangų gali įvykti avarija ir žūti žmonės)
- **Nenukreipkite vandens srovės į save ar kitus žmones, net jeigu norite išplauti drabužius ar avalynę**

VANDENS TIEKIMAS

- **Naudokite tik su prietaisu pateiktą aukšto slėgio žarną ir jungtį**
- Sugadintą aukšto slėgio žarną nedelsdami keiskite analogišku parametru nauja žarna
- Aukšto slėgio žarnos nelankstykite, nepersukite ir per ją nevažinėkite motorinėmis transporto priemonėmis
- Aukšto slėgio žarną saugokite nuo aštrių briaunų ir kampų
- Pasirūpinkite, kad visų jungiamųjų žarnų jungtys būtų sandarios
- **Nepamirškite, kad iš prietaiso purškiamo vandens negalima gerti**
- Jokiu būdu nenaudokite prietaiso geriamojo vandens tiekimo sistemoje be sistemos atskyriklio (5); naudokite sistemos atskyriklį, atitinkantį EN 12729 BA tipo reikalavimus

ELEKTROSAUGA

- Visada patikrinkite, ar elektros tinklo įtampa sutampa su įtampos dydžiu, nurodytu prietaiso vardinėje lentelėje (prietaisas su nurodyta įtampa 230V ir 240V galima jungti į 220V įtampos elektros tinklą)
- Prietaisą prijunkite prie elektros tinklo per nuotėkio srovės apsauginį išjungiklį (FI-), kurio minimali suveikimo srovė yra ne didesnė kaip 30 mA
- Pasirūpinkite, kad visos darbo vietoje esančios dalys, kuriomis teka elektros srovė, būtų apsaugotos nuo vandens pusrų

- Maitinimo laido jungtys turi būti sausos ir pakeltos nuo žemės
- Periodiškai tikrinkite kabelius ir pažeistus kabelius turi pakeisti kvalifikuotas elektrikas
- Laido (ir ilginamojo kabelio) nespauskite, netraukite, ant jo nelipkite ir nevažiuokite
- Laidą (ir ilginamąjį kabelį) saugokite nuo karščio, tepalų ir aštrių briaunų
- Naudokite tik lauko darbams skirtus ilginamuosius kabelius su vandeniui nelaidžiais kištukais ir lizdais
- Naudodami ilginamuosius kabelius atkreipkite dėmesį į tai, kad kabelis būtų iki galo išvyniotas ir būtų pritaikytas 16 A elektros srovei
- Naudokite ne ilgesnius kaip 20 metrų (1,5 mm²) arba 50 metrų (2,5 mm²) ilginamuosius kabelius
- Periodiškai tikrinkite ir, jei sugadintas, keiskite ilginamąjį kabelį (**naudoti netinkamos būklės ilginamuosius kabelius gali būti pavojinga**)
- Draudžiama šlapiomis rankomis liesti maitinimo laido kištuką
- Jei maitinimo laidas arba ilginamasis kabelis įpjautas, pažeistas arba susipainiojęs, būtinai išjunkite prietaisą ir ištraukite maitinimo laido kištuką iš elektros tinklo lizdo (**prieš ištraukdami kištuką nelieskite kabelio**)

NAUDOJIMAS

- Surinkimo instrukcijos ⑥
 - brėžinyje pateiktų skaičių seka atitinka aukštaslėgės plovyklės surinkimo veiksmų seką
 - kad netyčia nenuspaustumėte jungiklio B, nuspauskite jungiklio fiksatorių A
- Jungimas prie vandentiekio ⑦:
 - į vandens tiekimo angą D įsukite tiekimo jungtį C
 - ! **draudžiama naudoti tiekimo jungtį C be vandens filtro E**
 - prie vandentiekio čiaupo ir tiekimo jungties prijunkite vandens tiekimo žarną (sigyjamą atskirai) C
 - ! **pasirūpinkite, kad tiekiamo vandens temperatūra neviršytų 40 °C** (karštą dieną prieš jungdami atsukite čiaupą ir palaukite, kol ims tekėti šaltas vanduo)
- Prietaiso naudojimas ⑧
 - pasirūpinkite, kad prietaisas būtų statmenas pastatytas ant stabilaus paviršiaus
 - įjunkite prietaisą į elektros tinklą (pasirūpinkite, kad maitinimo jungiklis F būtų išjungtas)
 - atsukite vandentiekio čiaupą
 - nuspausdami jungiklio fiksatorių A, atleiskite jungiklį B
 - kad pašalintumėte prietaise ar vandens tiekimo žarnoje likusį orą, iki galo nuspauskite jungiklį B
 - atleiskite jungiklį B ir nuspauskite jungiklio fiksatorių A
 - nuspausdami maitinimo jungiklio mygtuką "I" F, įjunkite prietaisą
 - įjungus prietaisą, variklis keletą sekundžių veikia, kol sudaromas didžiausias slėgis
 - nuspauskite jungiklio fiksatorių A, nukreipkite purkštuką G į plautiną vietą ir nuspauskite jungiklį B
 - sukdami purkštuką G, galite tolygiai perjungti koncentruotą ir plačią purškiamo vandens srovę
 - atleidus jungiklį B variklis išsijungia po keleto sekundžių, kai sudaromas didžiausias slėgis
 - nuspausdami maitinimo jungiklio mygtuką "O" F, išjunkite prietaisą

- užsukite vandentiekio čiaupą
- iki galo nuspauskite jungiklį B, kol prietaise nebelsiks vandens slėgio
- baigę darbą, kad netyčia nenuspaustumėte jungiklio B, nuspauskite jungiklio fiksatorių A
- ištraukite kištuką iš elektros tinklo lizdo
- nuo prietaiso ir vandentiekio čiaupo atjunkite vandens tiekimo žarną
- Ploviklio butelio naudojimas ⑨:
 - ! **pasirūpinkite, kad būtų užfiksuotas jungiklis ir išjungtas maitinimo jungiklis**
 - nuo ploviklio purkštuko J nusukite butelį H ir pripildykite biologiškai skaidaus ploviklio, tinkamo naudoti aukštaslėgėse plovyklėse (**naudojant kitokius ploviklius arba chemikalus gali pablogėti prietaiso sauga**)
 - ! **nenaukokite neskiestų ploviklių**
 - pripildytą butelį H užsukite ant ploviklio purkštuko J
 - nuo pistoleto L nuimkite purškimo ietį K ir vietoje jos prijunkite ploviklio purkštuką J, kaip vaizduojama paveiksle
 - nuspauskite jungiklio fiksatorių A, nukreipkite ploviklio purkštuką J į plautiną vietą ir nuspauskite jungiklį B
 - ! **ploviklis nepurškiamas aukštu slėgiu**

NAUDOJIMO PATARIMAI

- Naudojami ploviklio butelį H:
 - ! **perskaitykite ploviklio etiketėje pateikiamas papildomas instrukcijas**
 - plaunamą daiktą būtinai iš pradžių sušlapinkite
 - plaunamą daiktą plovikliu apdorokite iš apačios į viršų
 - kad ploviklis būtų veiksmingesnis, juo apdoroję plaunamą daiktą šiek tiek palaukite, tačiau ne tiek, kad ploviklis uždžiūtų
 - pradėkite skalauti nuo viršaus ir leiskitės žemyn
- Daugiau patarimų rasite internete www.skil.com

PRIEŽIŪRA / SERVISAS

- Šis prietaisas neskirtas profesionaliam naudojimui
- **Prieš pradėdami priežiūrą būtinai išjunkite prietaisą, pasirūpinkite, kad jame ir pistolete nebūtų vandens slėgio, ištraukite maitinimo laido kištuką iš elektros tinklo lizdo ir atjunkite prietaisą nuo vandentiekio**
- Periodiškai valykite prietaisą ir kabelį (ypač ventiliacines angas S ②)
 - nenaudokite vandens, tirpiklių ar poliravimo priemonių
 - valymo adata M ⑩ reguliariai valykite purkštuką G (visų pirma nuo pistoleto L nuimkite purškimo ietį K)
- Reguliariai tikrinkite, ar nėra nusidėvėjusių ar sugadintų dalių, prireikus atiduokite taisyti arba keisti
- Vandens filtro valymas:
 - ilgomis replėmis nutraukite vandens filtrą E ② nuo tiekimo jungties C ②
 - švariai išplaukite ir vėl uždėkite (jei sugadintas, keiskite)
- ! **draudžiama naudoti prietaisą, jei sugadintas vandens filtras**

- Laikymas ⑪
 - prietaisą laikykite vaikams nepasiekiamoje vietoje, kurios temperatūra neviršija 40 °C ir nenukrenta žemiau 0 °C
 - ant prietaiso nedėkite jokių kitų daiktų
 - keturiais varžtais (**nepateikiami**) prie sienos patikimai pritvirtinkite pakabą N, kad ji būtų horizontali
 - kaip vaizduojama paveiksle, naudokite pakabą N ir dirželius P
- Jeigu prietaisas, nepaisant gamykloje atliekamo kruopštaus gamybos ir kontrolės proceso, vis dėlto sugestų, jo remontas turi būti atliekamas įgaliotose SKIL elektrinių įrankių remonto dirbtuvėse
 - **neišardytą** prietaisą kartu su pirkimo čekiu siųskite tiekėjui arba į artimiausią SKIL firmos įgaliotą elektros prietaisų techninio aptarnavimo tarnybą (adresus bei atsarginių dalių brėžinius rasite www.skil.com)

TRIKČIŲ DIAGNOSTIKA

- Toliau pateiktame sąraše aprašomi sutrikimų požymiai, galimos priežastys ir šalinimo veiksmai (jei naudojantis šiais patarimais nepavyko nustatyti ir pašalinti sutrikimo, kreipkitės į prekybos atstovą arba techninės priežiūros punktą)
 - ! **prieš tirdami sutrikimą, išjunkite prietaisą ir ištraukite kištuką iš elektros lizdo**
 - ★ Netolygiai purškiamas vanduo:
 - iš dalies užsikimšęs purkštukas -> valykite purkštuką
 - ★ Neužsiveda arba staiga išsijungia variklis
 - sugedęs elektros tinklo lizdas -> junkite į kitą lizdą
 - kištukas neįjungtas į lizdą -> įjunkite kištuką
 - variklį išjungė šiluminės apsaugos sistema -> palaukite 5 minutes, kol prietaisas atšąs
 - ★ Variklis veikia, bet prastai purškiamas vanduo:
 - visiškai užsikimšęs purkštukas -> valykite purkštuką
 - užsikimšęs vandens filtras -> valykite vandens filtrą
 - siurblyje yra oro -> pasirūpinkite, kad būtų sandariai prijungta vandens tiekimo jungtis
 - tiekiamą nepakankamai vandens -> tikrinkite, ar iki galo atsuktas vandentiekio čiaupas

APLINKOSAUGA

- **Nemeskite elektrinių įrankių, papildomos įrangos ir pakuotes į buitinių atliekų kontenerius** (galioja tik ES valstybėms)
 - pagal ES Direktyvą 2012/19/EG dėl naudotų elektrinių ir elektroninių prietaisų atliekų utilizavimo ir pagal vietinius valstybės įstatymus atitarnavę elektriniai įrankiai turi būti surenkami atskirai ir gabenami į antrinių žaliavų tvarkymo vietas, kur jie turi būti sunaikinami ar perdirbami aplinkai nekenksmingu būdu
 - apie tai primins simbolis ⑫, kai reikės išmesti atitarnavusį prietaisą

ATITIKTIES DEKLARACIJA C E

- Atsakingai pareiškiamo, kad skyrįje "Techniniai duomenys" aprašytas gaminyje atitinka žemiau pateiktus standartus ir norminius dokumentus: EN 60335, EN 61000, EN 55014 pagal direktyvą 2006/95/EB, 2004/108/EB, 2006/42/EB, 2000/14/EB, 2011/65/ES reikalavimus

- **Техничнэ была laikома:** SKIL Europe BV (PT-SEU/ENG1), 4825 BD Breda, NL

Marijn van der Hoofden Olaf Dijkgraaf
Operations & Engineering Approval Manager

SKIL Europe BV, 4825 BD Breda, NL

26.02.2014

CE10

TRIUKŠMINGUMAS/VIBRACIJA

- Šio prietaiso triukšmingumas buvo išmatuotas pagal EN 60704-1 reikalavimus; keliamo triukšmo garso slėgio lygis siekia 81dB(A) ir akustinio galingumo lygis 93 dB(A) (standartinis nuokrypis: 3 dB), ir vibracijos pagreitis rankos plaštakos srityje tipiniu atveju yra mažesnis, kaip $< 2,5 \text{ m/s}^2$ (paklaida $K = 1,5 \text{ m/s}^2$)
- Išmatavus pagal 2000/14/EB reikalavimus, garantuotas garso galingumas LWA yra mažesnis nei 97 dB(A) (atitiktis vertinimas atliktas pagal V priedą)
- Vibracijos sklaidos lygis išmatuotas pagal standartą EN/ISO 5349 išdėstytus standartizuoto bandymo reikalavimus; ši vertė gali būti naudojama vienam įrankiui palyginti su kitu bei išankstiniam vibracijos poveikiui įvertinti, kai įrankis naudojamas paminėtiais būdais
 - naudojant įrankį kitokiais būdais arba su kitokiais bei netinkamai prižiūrimais priedais, gali žymiai **padidėti** poveikio lygis
 - laikotarpiams, kai įrankis išjungtas arba yra įjungtas, tačiau juo nedirbama, gali žymiai **sumažėti** poveikio lygis
- ! **apsisaugokite nuo vibracijos poveikio prižiūredami įrankį ir jo priedus, laikydami rankas šiltai ir derindami darbo ciklus su pertraukėlėmis**

MK

Перач под висок притисок 0760

УПАТСТВО

- Овој алат е дизајниран за чистење области и предмети надвор од куќата, возилото или пловните објекти
- Овој алат е наменет само за домашна употреба и не е наменет да се користи со вода што не е од чешма
- Овој алат не е наменет за професионална употреба
- **Внимателно прочитајте го упатството за работа пред употреба и зачувајте го за идни осврти** ③
- **Обрнете особено внимание на безбедносните упатства и предупредувања; недоследноста може да доведе до сериозна повреда**
- Проверете дали пакувањето ги содржи сите делови коишто се прикажани на сликата ②
- Контакттирајте со продавачот ако недостасуваат делови или истите се оштетени

ТЕХНИЧКИ ПОДАТОЦИ ①

Работен притисок (P) 7 MPa
Максимален работен притисок (Pmax) 10 MPa
Доводен притисок 0 - 0,6 MPa

ЕЛЕМЕНТИ НА АЛАТОТ ②

- A** Заклучување за прекинувачот
- B** Прекинувач
- C** Конектор за довод
- D** Довод на вода
- E** Филтер за вода
- F** Прекинувач за струја
- G** Прскалка
- H** Шише за детергент
- J** Распрскувач за детергентот
- K** Разделник за млазот
- L** Рачен пиштол
- M** Игла за чистење
- N** Шина за складирање (**шрафовите не се доставуваат**)
- P** Каишка за чување (2)
- Q** Црево под висок притисок
- R** Одвод на вода
- S** Отвори за вентилација
- T** Поврзување на каишките за чување

БЕЗБЕДНОСТ

ОПШТИ

- Користете ги алатот и дополнителната опрема согласно со ова упатство и на начин соодветен за алатот; употребата на алатот за работи коишто се поинакви од оние што вообичаено се работат со овој алат може да доведе до ризична состојба
- **Никогаш не полнете течности што содржат растворувачи, нерастворена киселина или растворувачи (на пр. нафта, растворувачи за боја, масло за греене).** Овие течности содржат лесно запаливо, експлозивно и токсично испарување, но може и да ги кородираат деловите на алатот
- Користете ја машината само ако температурата на воздухот е меѓу 0°C и 40°C
- **Започнете со работа само кога алатот и работната опрема се во совршена состојба и безбедни за работа**
- Внимавајте на силата на повратниот удар што може да се појави при вклучување на перачот под висок притисок; држете ги рачниот пиштол и распрскувачот за спрејот цврсто и заземете цврсто стојалиште
- Никогаш не ставајте го прекинувачот на неговата позиција додека работите
- **Никогаш не насочувајте го водениот млаз кон други луѓе, животни, извори на електрична енергија и нон самиот алат** ④
- Никогаш не оставајте го алатот без надзор додека работи моторот
- Никогаш не работете со алатот на потенцијално експлозивни места

- **Секогаш исклучувајте го алатот, извадете го приклучокот од штекер и обезбедете да нема воден притисок во алатот и рачниот пиштол пред да ги чистите, прилагодувате и менувате дополнителните делови**

ЛИЧНА ЗАШТИТА

- Овој алат е наменет за употреба за лица (вклучувајќи и деца) со намалени физички, сензорски или ментални способности или со помало искуство и знаење, и доколку лицето задолжено за нивна безбедност не им даде соодветна помош и упатство за за тоа како да се користи алатот
- Обезбедете децата да не си играат со алатот
- Носете соодветна заштитна облека за да се заштитите од водата што прска
- **Не користете го алатот кога има други лица во близина освен ако и тие не носат заштитна облека**
- Не прскајте материји што содржат азбест и други материјали што содржат супстанции коишто опасни по здравјето
- Чистете ги гумите/вентилите на гумите само од минимално растојание од 30 cm за да не ги оштетите (оштетени гуми на возилата може да доведат до фатални несреќи)
- **Не насочувајте го водениот млаз кон себе или кон други за да ги исчистите облеката или обувките**

ДОВОД НА ВОДА

- **Користете ги само цревата под висок притисок и спојката што се доставуваат со алатот**
- Заменете го веднаш оштетеното црево под висок притисок (со идентични спецификации)
- Не виткајте го цревата под висок притисок и не минувајте со моторно возило врз него
- Не изложувајте го цревата под висок притисок на остри рабови и агли
- Проверете дали сите поврзани црева имаат соодветно заштитени споevi
- **Имајте предвид дена распрсаната вода што ја испушта алатот не е за пиење**
- Согласно применливите одредби, алатот никогаш не смее да се користи во мрежа на вода за пиење без разделник за системот ⁵; користете соодветен разделник за системот како што е наведено во EN 12729, тип ВА

ЕЛЕКТРИЧНА БЕЗБЕДНОСТ

- Секогаш проверувајте напонот да е ист со оној кој е назначен на плочката на алатот (алатите за напон од 230V или 240V исто така може да се поврзат и на напон од 220V)
- Приклучете го електричниот алат со помош на автоматскиот прекинувач за излегување на струјата (F) посилено од 30 mA
- Проверете дали сите компоненти што спроведуваат струја во работната област се заштитени од вода
- Одржувајте ги конекторите за кабелот суви и подигнати од земјата
- Проверувајте го кабелот од време на време и подигајте квалификувано лице да го смени ако е оштетен

- Не преминувајте преку кабелот (продолжниот) не превиткувајте или не влечете го
- Заштитете го (продолжниот) кабел од топлина, масло и остри рабови
- Користете само продолжен кабел којшто е наменет за работа на отворено и е опремен со водоотпорен приклучок и штекер во форма на запалка
- Продолжниот кабел кој го користите, мора да биде сосема одмотан и безбеден, со капацитет од 16 A
- Користете само продолжни кабли со максимална должина од 20 метри (1,5 mm²) или 50 метри (2,5 mm²)
- Проверувајте го продолжниот кабел од време на време и сменете го ако е оштетен (**несоодветните продолжни кабли се опасни**)
- Никогаш не допирајте го приклучокот за струја со мокри раце
- Секогаш исклучете ја машината и исклучете го приклучокот од штекерот ако кабелот за напојување со ел. енергија или продолжниот кабел се пресечени, оштетени или заплеткани (**не допирајте го кабелот пред да го исклучите приклучокот**)

УПОТРЕБА

- Упатство за спојување ⁶
 - редоследот на броеви што се појавуваат на сликата соодветствува со редоследот на чекорите што треба да ги следите за да го составите перачот под висок притисок
 - како безбедносна мерка, притиснете го заклучувањето за прекинувачот А за да спречите тој В да се активира случајно
- Поврзување за довод на вода ⁷
 - зашрафете го конекторот за довод С на доводот за вода D
 - ! **никогаш не користете конектор за довод С без филтер за вода E**
 - приклучете го цревата за довод на вода (не се доставува) за славината и за конекторот за довод С
 - ! **проверете дали температурата на доводната вода надминува 40°C** (кога е жешко, пуштете ја водата да тече додека не се олади пред да го поврзете цревата за славината)
- Работа со алатот ⁸
 - проверете дали алатот е поставен на цврста подлога и во вертикална позиција
 - поврзете го алатот за извор на напојување (проверете дали прекинувачот за напојување F е исклучен)
 - отворете ја славината
 - притиснете го заклучувањето за прекинувачот А за да го ослободите В
 - притиснете го прекинувачот докрај В за да го ослободите водозухот во алатот или во цревата за довод на вода
 - притиснете го прекинувачот В и притиснете го заклучувањето за прекинувачот А
 - вклучете го алатот со притиснување на копчето "I" на прекинувачот за напојување F
 - по вклучување, моторот започнува да работи неколку секунди за да го постигне максималниот притисок

- притиснете го заклучувањето за прекинувачот А, насочете го распрскувачот G кон областа што треба да се испере и потоа повлечете го прекинувачот B
- менувајте меѓу концентриран млаз вода и широк распрскување со вртење на млазникот G
- ако го пуштите прекинувачот, B моторот престанува со работа неколку секунди откако ќе се постигне максималниот притисок
- исклучете го алатот со притиснување на копчето "O" на прекинувачот за напојување F
- затворете ја славината
- држете го прекинувачот притиснат докрај B додека не снема вода под притисок во алатот
- по употребата, притиснете го заклучувањето за прекинувачот A за да спречите тој B да се активира случајно
- исклучувајте го приклучокот од штекер
- извадете го цреволото за довод на вода од алатот и од славината
- Употреба на шишето за детергент ⑨
 - ! **проверете дали прекинувачот е заклучен и главниот прекинувач е во позиција за исклучување**
 - отшрафете го шишето H од прскалката за детергент J и наполнете го со биоразградлив детергент соодветен за примена со вода под висок притисок (**употребата на други детергенти или хемикалии може неповолно да влијаат врз безбедноста на алатот**)
 - ! **не користете нерастворени детергенти**
 - зашрафете го наполнето шише H на прскалката за детергент J
 - извадете го разделникот K од рачниот пиштол L и поставете ја прскалката за детергент J како што е прикажано на сликата
 - притиснете го заклучувањето за прекинувачот A, насочете ја прскалката за детергент J кон областа што треба да се испере и потоа повлечете го прекинувачот B
 - ! **детергентот нема да излегува под висок притисок**

СОВЕТИ ЗА ПРИМЕНА

- Кога го користите шишето за детергент H
 - ! **прочитајте ја етикетата за детергентот за дополнителни упатства**
 - секогаш прво намокрете ја предметите за перење
 - ставајте детергент врз предметот оддолу нагоре
 - оставете му време на детергентот да дејствува, но не оставајте го да се исуши
 - планките одгоре надолу
- Многу други совети можете да најдете на www.skil.com

ОДРЖУВАЊЕ/СЕРВИСИРАЊЕ

- Овој алат не е наменет за професионална употреба
- **Пред одржување, секогаш исклучувајте го алатот, проверете дали има вода во него и во рачниот пиштол, извадете го приклучокот од штекер и извадете го алатот од доводот за вода**

- Алатот и кабелот секогаш да се одржуваат чисти (особено отворите за ладење S ②)
 - не користете вода, растворувачи или политура
 - редовно чистете ја прскалката G со иглата за чистење M ⑩ (прво извадете го разделникот за спрејот K од рачниот пиштол L)
- Редовно проверувајте дали деловите се оштетени или избавени и поправете/заменете ги ако е неопходно
- Чистење на филтерот за вода
 - извадете го филтерот за вода E ② од конекторот за довод C ② со клешта со долги запци
 - исплакнете го да се исчисти и вратете го на место (заменете го ако е оштетен)
- ! **никогаш не користете го алатот со оштетен филтер за вода**
- Чување ⑪
 - чувајте го алатот подалеку од дофат на деца и на место каде температурата не надминува 40°C и не се спушта под 0°C
 - не ставајте други предмети врз алатот
 - внимателно поставете ја шината за складирање N на сид со 4 шрафа (**не се доставуваат**) и порамнете хоризонтално
 - користете ги шината за чување N и каишките за складирање P како што е прикажано на сликата
- Доколку алатот и покрај внимателното работење и контрола некогаш откаже, поправката мора да ја изврши некој овластен SKIL сервис за електрични алати
 - во случај на примедба, испратете го алатот **нерасклопен**, заедно со сметкопотврдата, до вашиот продавач или најблискиот SKIL сервис (адресите се наведени на www.skil.com)

РЕШАВАЊЕ ПРОБЛЕМИ

- Следниот список ги прикажува симптомите за проблемите, можните причини и дејства за поправка (контактирајте со продавачот или сервисерот ако истите не го идентификуваат ниту решаваат проблемот)
 - ! **исклучете ја машината и извадете го приклучокот пред да го истражувате проблемот**
- ★ Млазот не е постојан
 - прскалката е делумно блокирана -> исчистете ја прскалката
- ★ Моторот не се вклучува или се исклучува неочекувано
 - расипан штекер за напојување со ел. енергија -> користете друг штекер
 - приклучокот не е поврзан -> поврзете го приклучокот
 - термалната заштита го исклучи моторот -> оставете го алатот да се лади 5 минути
- ★ Моторот работи, но млазот не е добар
 - прскалката е целосно блокирана -> исчистете ја прскалката
 - филтерот за вода е затнат -> исчистете го филтерот за вода
 - има воздух во пумпата -> проверете дали конекторот за довод на вода е правилно наместен
 - несоодветен довод на вода -> проверете дали славината е отворена докрај

ЗАШТИТА НА ЖИВОТНАТА СРЕДИНА

- Не се ослободувајте од елентични алати, уреди или амбала на прену нивно фрлање во домашното губре (само за земјите на ЕУ)
 - според Европската Директива 2012/19/ЕС за ослободување од елентична и електронска опрема и нејзина имплементација во согласност со националните закони, елентичните алати кои го достигнале крајот на својот животен век мора да бидат собрани посебно и да бидат вратени во соодветен објект за рециклирање
 - симболот  ќе ве потсетува на ова кога ќе дојде време алатот да го фрлите

ДЕКЛАРАЦИЈА ЗА УСОГЛАСЕНОСТ

- Со целосна одговорност изјавуваме дека производот опишан кај "Технички податоци" е усогласен со следните стандарди или документи за стандардизација: EN 60335, EN 61000, EN 55014 во согласност со одредбите во директивите 2006/95/EG, 2004/108/EG, 2006/42/EG, 2000/14/EG, 2011/65/ЕУ
- **Технично досије во:** SKIL Europe BV (PT-SEU/EN61), 4825 BD Breda, NL

Marijn van der Hoofden
Operations & Engineering

Olaf Dijkgraaf
Approval Manager



SKIL Europe BV, 4825 BD Breda, NL

26.02.2014



БУЧАВА/ВИБРАЦИИ

- Мерено во согласност со EN 60704-1 нивото на звучен притисок е 81 dB(A) а нивото на звучна моќност 93 dB(A) (стандардно отстапување: 3 dB), и вибрација $a < 2,5 \text{ m/c}^2$ (hand-arm метода; несигурност $K = 1.5 \text{ m/c}^2$)
- Измерено во согласност со 2000/14/EG, гарантираното ниво на бука LWA е пониско од 97 dB(A) (постапка за проценка на усогласеноста согласно Додаток V)
- Нивото на емитирање на вибрации кое е наведено на задниот дел на ова улатство е измерено во согласност со стандардизираниот тест даден во EN/ISO 5349; може да се користи за да се спореди еден алат со друг, и како првична оценка за изложеноста на вибрации кога се користи алатот за споменатите примени. The vibration emission level has been measured in accordance with a standardised test given in EN/ISO 5349; it may be used to compare one tool with another and as a preliminary assessment of exposure to vibration when using the tool for the applications mentioned
 - користењето на алатот за разни примени, или со различни или неправилно чувани делови, може да

доведе до значајно зголемување на нивото на изложеност


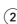
- кога алатот е исклучен или кога алатот е вклучен но не врши некаква работа, може да дојде до значително намалување на нивото а изложеност
- ! **заштитете се од ефектите на вибрациите прену одржување на алатот и неговите делови, одржување на топлината во вашите раце, и организирање на вашата работа**

AL

Pompë me presion të lartë

0760

HYRJE

- Kjo pajisje është projektuar për pastrimin e zonave dhe objekteve jashtë shtëpisë, automjeteve dhe varkave
- Kjo pajisje është e projektuar vetëm për përdorim familjar dhe nuk është projektuar për t'u përdorur me ujë nga burime të tjera të ndryshme nga uji i çezmës
- Kjo vegël nuk është e projektuar për përdorim profesional
- **Lexoni me kujdes këtë manual udhëzimesh para përdorimit dhe ruajeni për referencë në të ardhmen** 
- **Jini të vëmendshëm ndaj udhëzimeve të sigurisë dhe paralajmërimeve; mosrespektimi mund të shkaktojë dëmtime të rënda**
- Kontrolloni nëse paketimi përfshin të gjitha pjesët siç janë të ilustruara në skicë 
- Kur pjesët mungojnë ose janë të dëmtuara, ju lutemi kontaktoni me shitësin

TË DHËNAT TEKNIKE

Presioni i punës (P)

7 MPa

Presioni maksimal i punës (Pmax)

10 MPa

Presioni hyrës

0 - 0,6 MPa

ELEMENTET E PAJISJES

- A** Bllokuesi i çelësit të aktivizimit
- B** Çelësi i aktivizimit
- C** Bashkuesi i hyrjes
- D** Hyrja e ujit
- E** Filtri i ujit
- F** Çelësi kryesor
- G** Koka e spërkatjes
- H** Shishja e detergjentit
- J** Koka e detergjentit
- K** Tubi i spërkatjes
- L** Pistoleta
- M** Gjilpëra e pastrimit
- N** Shina e magazinimit (**vidat nuk përfshihen**)
- P** Rripi i magazinimit (2)
- Q** Tubi i presionit të lartë
- R** Dalja e ujit
- S** Të çarët e ajrosjes
- T** Lidhja për rripat e magazinimit

SIGURIA

TË PËRGJITHSHME

- Përdoreni pajisjen dhe aksesoret e saj në përputhje me këtë manual përdorimi dhe në mënyrë që kërkohet për pajisjen; përdorimi i pajisjes për punë të ndryshme ngata ato që parashikohet të kryhen normalisht nga pajisja mund të shkaktojë situata të rrezikshme
- **Mos thithni kurrë lëngje me përmbajtje tretësi, acide të patretura ose tretës (p.sh. naftë, tretës boje, vaj për nxehje);** këto lëngje krijojnë një avull të spërkatjes shumë të djegshëm, shpërthyes dhe toksik si dhe i gërryjnë përbërësit e pajisjes
- Përdoreni veglën vetëm kur temperatura e ambientit është 0°C deri në 40°C
- **Filloni të punoni vetëm kur pajisja dhe mjedisi i punës të jenë në kushte të përsosura dhe të sigurt për të punuar**
- Kini parasysh forcat e goditjes së kthimit që ndodhin kur ndizni pompën me presion të lartë; mbajeni pistoletën dhe tubin e spërkatjes fort dhe ruani një pozicion të qëndrueshëm
- Mos e shtrëngoni çelësin e aktivizimit në pozicionin e tij gjatë punës
- **Mos e drejtoni kurrë rrymën e ujit drejt personave, kafshëve, pajisje me energji elektrike apo vetë pajisjes** ④
- Mos e lini kurrë pajisjen të pamonitoruar kur motori është në punë
- Mos e përdorni pajisjen në vende me mundësi shpërthimi
- **Fikeni gjithmonë pajisjen, hiqni spinën nga burimi i energjisë dhe sigurohuni që të mos ketë presion të ujit në pajisje dhe në pistoletë para se ta rregulloni, ta pastroni ose të ndërroni aksesoret**

SIGURIA PERSONALE

- Kjo pajisje nuk është projektuar për t'u përdorur nga persona (përfshirë fëmijët) me kapacitete të zvogëluara fizike, ndijore ose mendore, ose me mungesë të përvojës dhe njohurive, nëse nuk janë udhëzuar ose mbikëqyrur në lidhje me përdorimin e pajisjes nga një person përgjegjës për sigurinë e tyre.
- Sigurohuni që fëmijët të mos luajnë me pajisjen
- Mbani veshje të përshtatshme mbrojtëse për t'u mbrojtur nga uji që spërkatet
- **Mos e përdorni pajisjen me persona të tjerë në afërsi nëse nuk kanë veshje mbrojtëse**
- Mos spërkasni materiale që përmbajnë asbest dhe materiale të tjera që përmbajnë substanca që janë të rrezikshme për shëndetin tuaj
- Pastrojini gomat/valvulat e gomave vetëm nga një distancë minimale prej 30 cm për ta parandaluar dhëmtimin e tyre (ëmtimi i gomave të automjeteve mund të shkaktojë aksidente vdekjeprurëse)
- **Mos e drejtoni rrymën e ujit nga vetja ose të tjerët për të pastruar rrobat ose këpucët**

FURNIZIMI ME UJË

- **Përdorni tubin me presion të lartë dhe bashkuesin e ofruar me pajisjen**
- Zëvendësojeni menjëherë një tub presioni të lartë të dëmtuar (me specififikimet identike)
- Mos luani dhe mos ecni me automjet mbi tubin e presionit të lartë

- Mos e ekspozoni tubin e presionit të lartë ndaj cepave dhe anëve të mprehta
- Sigurohuni që të gjithë tubat bashkues t'i kenë lidhjet të izoluar në mënyrën e duhur
- **Kini parasysh se uji i spërkatur nga pajisja nuk është i pijshëm**
- Sipas rregullave në fuqi, pajisja nuk duhet të përdoret kurrë në rrjetin e ujit të pijshëm pa një ndarës të sistemit ⑤; përdorni një ndarës të përshtatshëm të sistemit sipas EN 12729 lloji BA

SIGURIA ELEKTRIKE

- Kontrolli gjithmonë që voltazhi i energjisë të jetë i njëjtë si voltazhi që tregohet në etiketën e veglës (veglat me klasifikimin 230 V ose 240 V mund të lidhen po ashtu me një burim 220 V)
- Lidhni veglën nëpërmjet një automati të diferencuar (FI) me një korrent aktivizues 30 mA maksimumi
- Sigurohuni që të gjithë elementet që përcjellin energjinë elektrike në zonën e punës të jenë të mbrojtura nga uji i spërkatur
- Mbajini lidhjet e kordonit të thata dhe larg nga toka
- Kontrolloni periodikisht kordonin dhe zëvendësojeni me ndihmën e një personi të kualifikuar, nëse dëmtohet
- Mos e shkelni, shtypni apo tërhiqni kordonin (zgjatues)
- Mbrojeni kordonin (zgjatues) nga nxehtësia, vaji dhe anët e mprehta
- Përdorni vetëm një kordon zgjatues të krijuar për përdorim në ambiente të jashtme me spinë kundër ujit dhe prizë bashkuese
- Përdorni kordonë të pahapur dhe të sigurt për zgjatime, me një kapacitet 16 amper
- Përdorni vetë kordonë zgjatues me gjatësi maksimale 20 metra (1,5 mm²) ose 50 metra (2,5 mm²)
- Kontrolloni kordonin zgjatues periodikisht dhe zëvendësojeni, nëse dëmtohet (**kordonët zgjatues të papërshtatshëm mund të jenë të rrezikshëm**)
- Mos e prekni kurrë spinën elektrike me duar të lagura
- Fikeni gjithmonë veglën dhe hiqni spinën nga burimi i energjisë nëse kordoni elektrik ose kordoni zgjatues është prerë, dëmtuar ose ngatërruar (**mos e prekni kordonin para se të hiqni spinën**)

PËRDORIMI

- Udhëzimet për montimin ⑥
 - sequenca e numrave që shfaqen në skicë përputhet me sequencën e hapave që duhet të ndiqen për montimin e pompës me presion të lartë
 - si masë sigurie, shtypni bllokuesin e çelësit të aktivizimit A për të shmangur aktivizimin aksidental të çelësit B
- Lidhja e furnizimit me ujë ⑦
 - vidhosni bashkuesin hyrës C në vendin e hyrjes së ujit D
- **! mos përdorni kurrë bashkues hyrës C pa filtër uji E**
- lidhni tubin e furnizimit me ujë (jo i përfshirë) me rubinetin e ujit dhe me bashkuesin hyrës C
- **! sigurohuni që temperatura e ujit në ardhje të mos kalojë 40°C** (në një ditë të nxehtë, hapeni ujin deri sa të ftohet para se ta lidhni me rubinetin e ujit)

- **Funksionimi i veglës** ③
 - sigurohuni që pajisja të vendoset në një bazë të qëndrueshme dhe në pozicionin vertikal
 - lidhjeni pajisjen me burimin e rrjetit (sigurohuni që çelësi kryesor F të jetë në pozicionin joaktiv)
 - hapni rubinetin e ujit
 - shtypni bllokuesin e çelësit të aktivizimit A për të lëshuar çelësin e aktivizimit B
 - shtypni plotësisht çelësin e aktivizimit B për të liruar ajrin e mbetur në pajisje ose në tubin e furnizimit me ujë
 - lëshoni çelësin e aktivizimit B dhe shtypni bllokuesin e çelësit të aktivizimit A
 - ndizni pajisjen duke shtypur butonin "I" të çelësit kryesor F
 - pas ndezjes, motori fillon të punojë për disa sekonda deri sa të arrijë presionin maksimal
 - shtypni bllokuesin e çelësit të aktivizimit A, drejtojeni kokën e spërkatjes G nga zona që do të lahet dhe më pas shtypni çelësin e aktivizimit B
 - ndërtoni rrymën e përqendruar të ujit me një spërkatje të gjerë duke rrotulluar kokën G
 - me lëshimin e çelësit të aktivizimit B, motori ndalon punën pas disa sekondash kur të arrijë presionin maksimal
 - fikeni pajisjen duke shtypur butonin "O" të çelësit kryesor F
 - mbyllni rubinetin e ujit
 - shtypni plotësisht çelësin e aktivizimit B deri sa të mos ketë më presion uji në pajisje
 - pas përdorimit, shtypni bllokuesin e çelësit të aktivizimit A për të shmangur aktivizimin aksidental të çelësit të aktivizimit B
 - hiqeni spinën nga burimi i energjisë
 - shkëputni tubin e furnizimit me ujë nga pajisja dhe nga rubineti i ujit
- **Përdorimi i shishes me detergjent** ③
 - ! **sigurohuni që çelësi i aktivizimit të jetë i bllokuar dhe që çelësi kryesor të jetë në pozicionin joaktiv**
 - zhvidhosni shishen H nga koka e detergjentit J dhe mbusheni me detergjent biologjikisht të zbrëthyeshëm për përdorim me pompat me presion të lartë (**përdorimi i detergjenteve ose kimikateve të tjera mund të ndikojë negativisht në sigurinë e pajisjes**)
 - ! **mos përdorni detergjentë të pahulluar**
 - vidhosni shishen e mbushur H në kokën e detergjentit J
 - hiqni tubin K nga pistoletat L dhe montoni në vend të tij kokën e detergjentit J si në ilustrim
 - shtypni bllokuesin e çelësit të aktivizimit A, drejtojeni kokën e detergjentit J nga zona që do të lahet dhe më pas shtypni çelësin e aktivizimit B
 - ! **detergjenti nuk del me presion të lartë**

KËSHILLË PËR PËRDORIMIN

- Kur përdorni shishen me detergjent H
 - ! **lexoni etiketën e detergjentit për më shumë udhëzime**
 - lageni gjithmonë objektin në fillim
 - vendosni detergjent mbi objekt nga poshtë lart

- lini kohë që detergjenti të veprojë, por mos e lini kurrë që të thahet
- shpëlahjeni nga larg dhe vazhdoni poshtë
- Për më shumë këshilla, vizitoni www.skil.com

MIRËMBAJTJA / SHËRBIMI

- Kjo vegël nuk është e projektuar për përdorim profesional
- **Para mirëmbajtjes, fikeni gjithmonë pajisjen, sigurohuni që të mos ketë presion uji në pajisje dhe në pistoletë, hiqni spinën nga burimi i energjisë dhe shkëputni pajisjen nga burimi i ujit**
- Mbajeni gjithmonë veglën dhe kordonin të pastër (veçanërisht të çarat e ajrosjes S ②)
 - mos përdorni ujë, tretës ose shkëlqyes
 - pastroni rregullisht kokën e spërkatjes G duke përdorur gjilpërën e pastrimit M ⑩ (hiqni tubin e spërkatjes K nga pistoletat L në fillim)
- Kontrolloni rregullisht për komponentë të konsumuar ose të dëmtuar dhe riparohuni/zëvendësojini kur të jetë e nevojshme
- Pastrimi i filtrit të ujit
 - hiqni filtrin e ujit E ② nga bashkuesi hyrës C ② me pinca me majë të gjatë
 - shpëlahjeni dhe vendosni përsëri (zëvendësojini kur të dëmtohet)
- ! **mos e përdorni kurrë pajisjen me një filtër uji të dëmtuar**
- **Magazinimi** ①
 - ruajeni pajisjen larg nga fëmijët në një vend ku temperatura e ambientit nuk i kalon 40°C apo bie nën 0°C
 - mos vendosni objekte të tjera mbi pajisje
 - montoni mirë në mur shinën e magazinimit N me 4 vida (**nuk përfshihet**) dhe nivelejeni horizontalisht
 - përdorni shinën e magazinimit N dhe rripat e magazinimit P si në ilustrim
- Nëse pajisja ka defekt pavarësisht kujdesit në prodhim dhe procedurat e provave, riparimi duhet të kryhet nga një qendër e shërbimit pas shitjes për veglat e punës të SKIL
 - dërgoni veglën të çmontuar së bashku me vërtetimin e blerjes te shitësi ose te qendra më e afërt e shërbimit e SKIL (adresat si dhe diagrami i shërbimit i veglës janë të paraqitura në www.skil.com)

ZGJIDHJA E PROBLEMEVE


- Lista e mëposhtme tregon simptomat e problemeve, shkaqet e mundshme dhe veprimet korrigjuese (nëse këto nuk e identifikojnë dhe e zgjidhin problemin, kontaktoni me shitësin tuaj ose pikën përkatëse të shërbimit)
 - ! **fikni veglën dhe hiqeni spinën para se të shqyrtoni problemin**
 - ★ Spërkatja nuk është e vazhdueshme
 - koka pjesërisht e bllokuar -> pastroni kokën
 - ★ Motori nuk ndizet ose ndalon papritur
 - priza e furnizimit me energji me defekt -> përdorni një prizë tjetër
 - spina nuk është e lidhur -> vendosni spinën
 - mbrojtësja termike fik motorin -> lëreni pajisjen të ftohet për 5 minuta

- ★ Motori është në punë por spëkatja është e dobët
 - koka plotësisht e bllokuar -> pastroni kokën
 - filtri i ujit i bllokuar -> pastroni filtrin e ujit
 - ajër në pompë -> sigurohuni që bashkuesi i hyrjes së ujit të jetë i lidhur në mënyrë të sigurt
 - furnizimi me ujë i papërshtatshëm -> kontrolloni që rubineti i ujit të jetë plotësisht i hapur

- kohët kur pajisja është e fikur dhe kur është e ndezur por jo në punë, mund të **zvogëlojnë** ndjeshëm nivelin e ekspozimit

! **mbroni veten nga efektet e vibrimit duke mirëmbajtur pajisjen dhe aksesorët e saj, duke i mbajtur duart e ngrohta dhe duke organizuar mënyrën tuaj të punës**

MJEDISI

- **Mos i hidhni veglat elektrike, aksesorët dhe paketimin së bashku me materialet e mbeturinave familjare** (vetëm për vendet e BE-së)
 - në respektim të Direktivës evropiane 2012/19/EC për pajisjet elektrike dhe elektronike si mbetje dhe zbatimin e saj në përputhje me ligjet kombëtare, pajisjet elektrike që kanë arritur në fund të jetëgjatësisë së tyre duhet të mblidhen të ndara dhe të kthehen në një objekt riciklimi në përputhje me mjedisin.
 - simboli  do t'ju kujtojë për këtë gjë kur të jetë nevoja për t'i hedhur

DEKLARATA E KONFORMITETIT CE

- Ne deklarojmë me përgjegjësinë tonë të vetme se ky produkt i përshkruar në "Të dhëat teknike" është në përputhje me standardet ose dokumentet e standardizimit si më poshtë: EN 60335, EN 61000, EN 55014 në përputhje me dispozitat e direktivave 2006/95/EC, 2004/108/EC, 2006/42/EC, 2000/14/EC, 2011/65/EU
- **Dosja teknike në:** SKIL Europe BV (PT-SEU/ENG1), 4825 BD Breda, Holandë

Marijn van der Hoofden
Operations & Engineering

Olaf Dijkgraaf
Approval Manager



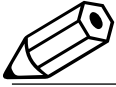

SKIL Europe BV, 4825 BD Breda, NL

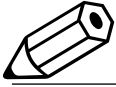
26.02.2014

CE10

ZHURMA/VIBRIMI

- E matur në përputhje me EN 60704-1, niveli i trysnisë së tingullit i kësaj pajisje është 81 dB(A) dhe niveli i fuqisë së tingullit 93 dB(A) (shmangia standarde: 3 dB) dhe vibrimi $< 2,5 \text{ m/s}^2$ (metoda e krahut-dorës; pasiguria $K = 1,5 \text{ m/s}^2$)
- Matur në përputhje me 2000/14/EC niveli i garantuar i fuqisë së zërit LWA është më i ulët se 97 dB(A) (procedura e vlerësimit të konformitetit në përputhje me Shtojcën V)
- Niveli i emetimit të vibrimit është matur në përputhje me një provë të standardizuar të dhënë në EN/ISO 5349; ajo mund të përdoret për të krahasuar një pajisje me një tjetër dhe si një vlerësim paraprak i ekspozimit ndaj vibrimit kur përdorni pajisjen për proceset e përmendura
 - përdorimi i pajisjes për procese të ndryshme, ose me aksesorë të ndryshëm dhe të mirëmbajtur keq, mund të **rritë** ndjeshëm nivelin e ekspozimit





- ★ موتور روشن نمی شود یا بطور ناگهانی از کار می افتد
- پریز برق اشکال دارد -> از یک پریز دیگر استفاده کنید
- دوشاخه وصل نشده است -> دوشاخه را وصل کنید
- مدار محافظت حرارتی. موتور را خاموش کرده است -> بگذارید ابزار برای ۵ دقیقه خنک شود
- ★ موتور کار می کند اما اسپری ضعیف است
- نازل کاملاً گرفته است -> نازل را تمیز کنید
- فیلتر آب گرفته است -> فیلتر آب را تمیز کنید
- پمپ هوا دارد -> اطمینان حاصل کنید که رابط و ورودی آب محکم بسته شده باشد
- تغذیه آب ناکافی است -> ببینید آیا شیر آب کاملاً باز است یا خیر

محیط زیست

- ابزارهای برقی، لوازم و متعلقات و بسته بندی آنها را نباید همراه با زباله های عادی خانگی دور انداخت (فقط مخصوص کشورهای عضو اتحادیه اروپا)
- با توجه به مصوبه اروپایی ۲۰۱۲/۱۹/EC اروپا درباره لوازم برقی و الکترونیکی مستعمل و اجرای این مصوبه مطابق با قوانین کشوری. ابزارهای برقی که به پایان عمر مفید خود رسیده اند باید جداگانه جمع آوری شده و به یک مرکز بازیافت مناسب و سازگار با محیط زیست انتقال یابند
- علامت (♻) یادآور این مسئله در هنگام دور انداختن است

اعلامیه مبنی بر رعایت استاندارد CE

- ما بر اساس مسئولیت انحصاری خود اعلام می نمایم که محصول شرح داده شده در قسمت «اطلاعات فنی» با استانداردها یا مستندات استاندارد شده زیر سازگاری و تطابق دارد: EN ۱۰۳۳۵ ; EN ۱۱۰۰۰ ; EN ۵۵۰۱۴. مطابق با مفاد مصوبات EN/EC ۲۰۰۱/۹۵/EC, EN/EC ۲۰۰۴/۱۰۸/EC, EN/EC ۲۰۰۱/۱۶/EC, EN/EC ۲۰۰۰/۱۱۵/EC
- پرونده فنی در: SKIL Europe BV (PT-SEU/ENG), ۴۸۲۵ BD Breda, NL

Marijn van der Hoofden
Operations & Engineering

Olaf Dijkgraaf
Approval Manager




SKIL Europe BV, 4825 BD Breda, NL

CE10

26.02.2014

صد ارتعاشات

- اندازه گیری ها بر اساس استاندارد EN ۱۰۷۰۴-۱ انجام و مشخص شد که میزان فشار صوتی این ابزار ۸۱ دسی بل و میزان توان صوتی آن ۹۳ دسی بل (با انحراف استاندارد ۳: دسی بل). و میزان ارتعاشات ۲,۵ متر/مجدور ثانیه می باشد (شبهه دست-بازو. عدم قطعیت ۱,۵ K = متر/مجدور ثانیه)
- اندازه گیری شده مطابق با EN/EC ۲۰۰۱/۱۴/EC میزان توان صوتی LWA تضمینی این ابزار کمتر از ۹۷ دسی بل است (روش ارزیابی مطابقت و سازگاری بر اساس متمم V)
- میزان انتشار ارتعاشات بر اساس تست استاندارد شده ای که در EN/ISO ۵۳۴۹ معرفی شده است اندازه گیری گردید: از این ارقام می توان برای مقایسه یک ابزار با دیگری و بعنوان ارزیابی اولیه در معرض قرارگیری ارتعاشات هنگام کار با ابزار در کاربری های فوق استفاده کرد
- استفاده کردن از ابزار برای کاربردهای متفاوت. با لوازم و متعلقات متفاوتترقیه یا لوازم و متعلقاتی که بد نگهداری شده اند. می تواند میزان در معرض قرارگیری را بطور قابل ملاحظه ای افزایش دهد
- موافقی که ابزار خاموش است یا روشن است ولی کاری با آن انجام نمی شود.
- میزان در معرض قرارگیری بطور قابل توجهی کاهش می یابد
- ! با نگهداری مناسب از ابزار و لوازم و متعلقات آن گرم نگهداشتن دست های خود. و سازمان دهی طرح های کاری می توانید خود را در برابر اثرات ارتعاش محافظت کنید

- سیم ابزار را بطور مرتب بازرسی کرده و در صورت خراب شدن. از یک تعمیرکار واجد شرایط بخواهید آنرا عوض کنید
- سیم (رابط) را لگد نکنید. آنرا له نکرده یا نکشید
- سیم (رابط) ابزار را از گرما، روغن و لبه های تیز دور نگهدارید
- فقط از سیم رابطهای مناسب برای فضای آزاد و مجزبه به دوشاخه ضد نفوذ آب و پرز جفت آن استفاده کنید
- سیم های رابط برق باید کاملاً باز شده و ایمن باشند. از سیم هایی با رده بندی 11 آمپر
- طول سیم رابطی که استفاده می کنید نباید از حداکثر ۲۰ متر (۱۰٫۵ میلی متر مربع) یا ۵۰ متر (۲٫۵ میلی متر مربع) بیشتر باشد
- سیم رابط را بصورت دوره ای بازرسی کرده و در صورت آسیب دیدگی تعویض کنید (سیم رابطهای نامناسب می توانند خطرناک باشند)
- هرگز با دستهای خیس به دوشاخه برق دست نزنید
- اگر سیم برق یا سیم رابط بریده، آسیب دیده یا گیر کرده است باید همیشه ابزار را خاموش کرده و دوشاخه را از پرز بکشید (قبل از کشیدن دوشاخه از پرز نباید به هیچ وجه به سیم دست بزنید)

استفاده

- دستورالعملهای سوار کردن ①
- ترتیب شماره تصاویر با ترتیب مراحل می باید برای سوار کردن دستگاه شوینده فشار قوی انجام دهید همخوانی دارد
- بعنوان یک معیار احتیاطی ایمنی، ضامن استارت A را فشار دهید تا از فعال شدن اتفاقی استارت B جلوگیری شود
- اتصال به آب تغذیه ②
- رابط ورودی C را داخل ورودی D پیچ کنید
- هرگز از رابط ورودی C بدون فیلتر آب E استفاده نکنید
- شلنگ تغذیه آب (ارائه نشده است) را به شیر آب و رابط ورودی C وصل کنید
- اطمینان حاصل کنید که دمای آب ورودی از ۴۰ درجه سانتیگراد بیشتر نباشد (در روزهای گرم پیش از وصل کردن شیر، ابتدا کمی آب را باز بگذارید تا خنک شود)
- کار کردن با ابزار ③
- ابزار باید فقط روی سطحی جامد و مستحکم در وضعیت عمودی قرار داده شود
- ابزار را به برق وصل کنید (اطمینان حاصل کنید که کلید روشن/خاموش F در وضعیت خاموش باشد)
- شیر آب را باز کنید
- ضامن استارت A را فشار دهید تا استارت B آزاد شود
- استارت B را بطور کامل فشار دهید تا هرگونه هوای موجود در ابزار یا شلنگ آب تغذیه خارج شود
- استارت B را آزاد کرده و ضامن استارت A را فشار دهید
- با فشار دادن دکمه «O» کلید روشن/خاموش F ابزار را روشن کنید
- بعد از روشن کردن، موتور شروع به کار می کند و بعد از چند ثانیه به فشار حداکثر می رسد
- ضامن استارت A را فشار دهید. نازل پاشش را به سمت قسمتی که می خواهید شسته شود گرفته و سپس استارت B را فشار دهید
- با چرخاندن نازل G می توانید آب را از حالت جت متمرکز به اسپری گسترده تغییر وضعیت بدهید
- با ها کردن استارت B موتور بعد از چند ثانیه و وقتی که فشار حداکثر برقرار شد از کار خواهد ایستاد
- با فشار دادن دکمه «O» کلید روشن/خاموش، F ابزار را خاموش کنید
- شیر آب را ببندید
- استارت B را بطور کامل فشار دهید تا اینکه دیگر فشار آبی در ابزار نباشد
- بعد از استفاده، ضامن استارت A را فشار دهید تا از فعال شدن اتفاقی استارت B جلوگیری شود
- فصل القایس من مصدر الطاقة
- شلنگ آب تغذیه را جدا کرده و شیر آب را ببندید
- استفاده از بطری ماده شوینده ④
- اطمینان حاصل کنید که استارت قفل شده و کلید روشن/خاموش در وضعیت خاموش قرار داشته باشد

- بطری H را از نازل مواد شوینده L باز کرده و آنرا با ماده شوینده ای که در محیط زیست قابل تجزیه بوده و برای شستشوی فشار قوی مناسب باشد. پر کنید (استفاده از سایر مواد شوینده یا مواد شیمیایی می تواند اثرات سوئی بر ایمنی ابزار برجا بگذارد)
- ! از مواد شوینده رقیق نشده استفاده نکنید
- بطری پر شده H را به نازل مواد شوینده L ببندید
- میله K را از پاشنده دستی L جدا کرده و نازل ماده شوینده L را مطابق شکل بجای آن وصل کنید
- ضامن استارت A را فشار دهید. نازل ماده شوینده L را به سمت قسمتی که می خواهید شسته شود گرفته و سپس استارت B را فشار دهید
- ! مواد شوینده تحت فشار قوی بیرون نخواهد آمد

توصیه های کاربردی

- هنگام استفاده از بطری ماده شوینده H
- ! برجسب ماده شوینده را برای اطلاع از دستورالعملهای تکمیلی مطالعه کنید
- همیشه ابتدا شیر را خیس کنید
- ماده شوینده را از پایین به بالای شیر بزنید
- به ماده شوینده وقت بدهید که عمل کند. اما هرگز نگذارید خشک شود
- از بالا آبکشی کرده و به سمت پایین ادامه دهید
- برای نکات بیشتر به www.skil.com مراجعه کنید

نگهداری / سرویس- خدمات

- این ابزار برای مصارف حرفه ای مناسب نیست
- پیش از انجام کارهای نگهداری همیشه ابزار را خاموش کنید. اطمینان حاصل کنید که فشار آب در ابزار و پاشنده دستی نباشد. دوشاخه را از پرز کشیده و ابزار را منبع آب تغذیه جدا کنید
- همیشه ابزار و سیم برق را تمیز نگه دارید (بخصوص شیارهای تپه S ⑤)
- از آب، حلال یا پولیش استفاده نکنید
- نازل پاشش G را بطور مرتب با سوزن مخصوص تمیز کردن M ⑥ تمیز کنید (میله پاشش K را باید ابتدا از پاشنده دستی L باز کنید)
- بطور مرتب ابزار را برای یافتن اجزاء و قطعات آسیب دیده یا فرسوده بررسی کرده و در صورت لزوم آنها را تعمیر/تعویض کنید
- تمیز کردن فیلتر آب
- فیلتر آب E ⑦ را با دم باریک از رابط ورودی C ⑧ جدا کنید
- آنرا تمیز آبکشی کرده و سر جای خود بگذارید (اگر آسیب دیده است تعویض کنید)
- ! اگر فیلتر آب آسیب دیده است هرگز نباید از ابزار استفاده کنید
- نگهداری ⑨
- ابزار را دور از دسترس کودکان در جایی که دمای محیطی آن از ۴۰ درجه سانتیگراد بیشتر و یا از ۰ درجه سانتیگراد کمتر نمی شود نگهداری کنید
- اشیای دیگر را روی ابزار قرار ندهید
- ریل نگهداری N را با ۴ عدد پیچ (ارائه نشده است) و تراز بطور افقی روی دیوار محکم نصب کنید
- مطابق شکل از ریل نگهداری N و بندهای نگهداری P استفاده کنید
- اگر ابزار علیرغم تمام وقت و مراقبتی که در فرایندهای تولید و تست بکار برده شده از کار افتاد، تعمیرات باید فقط در مراکز خدمات پس از فروش ابزارهای برقی SKIL انجام شود
- ابزار را بصورت یازنشته همراه با رسید خرید به فروشنده یا نزدیک ترین مرکز خدمات رسانی SKIL بفرستید (آدرسها به همراه نموده رتقشده های سرویس ابزار در www.skil.com موجود است)

عیب یابی

- علائم و نشانه های اشکالات، دلایل احتمالی و روش های حل مشکلات در لیست زیر ادامه آمده است (اگر بعد از مراجعه به بخش زیر نتوانستید مشکل خود را یافته یا حل کنید، با فروشنده یا مرکز خدمات تماس بگیرید)
- ! پیش از شروع بررسی مشکل، ابزار را خاموش کرده و دوشاخه را بکشید
- ★ اسپری بکناخت نیست
- نازل قدری گرفته است -> نازل را تمیز کنید

الضوضاء/الاهتزاز

- عند القياس بالتوافق مع EN 1٠٧٠٤-1 يكون مستوى ضغط صوت هذه الأداة هو ٨١ ديسيبل (أ) ومستوى طاقة الصوت ٩٣ ديسيبل (أ) (الانحراف المعياري ٣: ديسيبل). والاهتزاز ٢,٥ م/ث) *طريقة اهتزاز اليد: K غير مؤكد ١,٥ م/ث^(٥);
- عند القياس بالتوافق مع EN/IEC ٢٠٠٠/١٤. يكون مستوى طاقة الصوت المضمون LWA أقل من ٩٧ ديسيبل (أ) إجراء تقييم الطابفة وفقاً للملحق (٧)
- تم قياس مستوى الاهتزازات بالتوافق مع الاختبار المعياري المحدد في EN/ISO ٥٣٤٩: يمكن استخدامه لمقارنة أداة بأداة أخرى وتقييم عمدها للتعرض للاهتزاز عند استخدام الأداة في التطبيقات الموصحة:
- قد يؤدي استخدام الأداة في تطبيقات مختلفة أو مع ملحقات مختلفة أو ذات صيانة رديئة إلى زيادة مستوى التعرض بصورة كبيرة:
- إن الفترة الزمنية التي يتم خلالها إيقاف تشغيل الأداة أو عندما تكون قيد التشغيل لكنها لا تؤدي أية مهام، تؤدي إلى تقليل مستوى التعرض بصورة كبيرة:
- ! قم بحماية نفسك من التأثيرات الاهتزاز من خلال صيانة الأداة وملحقاتها. والحفاظ على بيديك دافنتين وتنظيم أعطاك العمل لديك:



دستگاه شوینده فشار قوی

۰۷۱۰

مقدمه

- این ابزار برای تمیز کردن اشیاء و محیط‌های بیرون از خانه، ماشینها و قایقها طراحی شده است
- این ابزار صرفاً برای استفاده خانگی می باشد و نمی تواند از هیچ منبع آبی به غیر از آب شیر استفاده کند
- این ابزار برای مصارف حرفه ای مناسب نیست
- لطفاً پیش از کار با دستگاه این دفترچه راهنما را با دقت مطالعه کرده و آنرا برای استفاده آتی نگه دارید ③
- لطفاً به دستاورالعملهای ایمنی و هشدارها دقت کنید: عدم رعایت این نکات می تواند به بروز جراحت‌های بسیار جدی منجر شود
- مطمئن شوید که تمام اجزا و قطعات نشان داده شده در شکل ① در بسته بندی باشند
- اگر قطعاتی مفقود شده یا آسیب دیده اند، لطفاً با فروشنده خود تماس بگیرید

اطلاعات فنی ①

فشار کاری P) ٧ مگاپاسکال
حداکثر فشار کاری ١٠ (Pmax) مگاپاسکال
فشار ورودی ٠,٠ - ٠ مگاپاسکال

اجزای ابزار ②

- A ضامن استارت
- B استارت
- C رابط ورودی
- D ورودی آب
- E فیلتر آب
- F کلید روشن/خاموش
- G نازل پاشش
- H بطری ماده شوینده
- J نازل ماده شوینده
- K میله پاشش
- L پاشنده دستی
- M سوزن تمیز کردن
- N ریل نگهداری (پیچها ارائه نشده اند)
- P بند نگهداری (١)
- Q شلنگ فشار قوی
- R خروجی آب
- S شیرابه‌های تهویه
- T اتصال برای بندهای نگهداری

ایمنی

عمومی

- از ابزار و متعلقات آن فقط مطابق با دستورالعملهای این دفترچه راهنما و فقط برای کاربری های پیش بینی شده استفاده کنید: استفاده از ابزار برای کارهایی غیر از آنچه برای آن طراحی شده است می تواند خطرناک باشد
- هرگز مایعات محتوی حلال، اسید یا حلالهای رقیق نشده (مانند بنزین، تینر رنگ، نفت کوره) را به داخل ابزار نکشید: این مایعات یک اسپری بخار فوق العاده قابل اشتعال، منفجره و سمی تولید کرده و حتی در قطعات و اجزای مختلف ابزار خورگی ایجاد می کنند
- فقط در شرایطی از این ابزار استفاده کنید که دمای محیطی بین ٠ تا ٤٠ درجه سانتیگراد باشد
- فقط زمانی کار را شروع کنید که ابزار و وسایل کاری شما در شرایط عالی بوده و کار کردن با آنها ایمن باشد
- مواظب پس زدن شوینده فشار قوی در هنگام شروع کار باشید: پاشنده دستی و میله پاشش را محکم گرفته و بطرز مطمئنی بایستید
- هرگز در حین کار، استارت را در جای خود ثابت نکنید
- هرگز نباید جت آب را به سمت افراد دیگر، حیوانات، تجهیزات و لوازم برقی متصل به برق یا خود ابزار بگیرید ④
- هرگز موقعی که موتور ابزار در حال کار است آنرا بدون سرپرستی رها نکنید
- هرگز با ابزار در محیطهایی که احتمال انفجار هست کار نکنید
- همیشه پیش از تنظیم، تمیز و یا عوض کردن متعلقات باید ابزار را خاموش کنید. نسیم برق آنرا بکشید و مطمئن شوید که فشار آب در ابزار و پاشنده دستی وجود نداشته باشد

رعایت ایمنی اشخاص

- این ابزار نباید توسط افرادی (شامل کودکان) که توانایی های فیزیکی، حسی یا روانی آنها محدود است، یا فاقد تجربه و دانش لازم هستند بکار برده شود مگر اینکه شخصی که مسئول ایمنی آنهاست درباره طرز کار با ابزار به آنها توضیح داده باشد و یا بر کار آنها نظارت کند
- هیچوقت اجازه ندهید کودکان با ابزار بازی کنند
- لباسهای محافظ مناسب بپوشید تا از شما در برابر آبی که پاشیده می شود محافظت کند
- اگر افراد دیگری در نزدیکی هستند از ابزار استفاده نکنید مگر اینکه آنها هم لباس محافظ پوشیده باشند
- روی مواد حاوی آزیست و سایر مواد حاوی عناصر خطرناک برای سلامتی اسپری نکنید
- برای تمیز کردن تایرسوزن یا ولو تایر باید حداقل ٣٠ سانتیمتر یا آن فاصله داشته باشید تا آسیبی به آنها نرسد (آسیب رساندن به تایر ماشین ها می تواند باعث بروز حوادث خطرناک شود)
- برای تمیز کردن لباس یا کفش، جت آب را مستقیماً به سمت خود یا دیگران نگیرید

آب تغذیه

- فقط از شلنگ فشار قوی و کولینگ با بست ارائه شده همراه ابزار استفاده کنید
- شلنگ فشار قوی را باید در صورت آسیب دیدن فوراً عوض کرد (با شلنگی با مشخصات کاملاً مشابه)
- شلنگ فشار قوی را پیچ و تاب ندهد یا وسایل نقلیه را از روی آن رد نکنید
- اجازه ندهید شلنگ فشار قوی یا لیه ها یا گوشه های تیز تماس پیدا کند
- مطمئن شوید که همه شلنگهای رابط دارای اتصالات کاملاً آب بندی شده باشند
- توجه داشته باشید که اسپری آب تولید شده توسط این ابزار قابل شرب نیست
- مطابق با قوانین و مقررات موجود، از این دستگاه هرگز نباید بدون یک جداساز سیستم روی شبکه آب شرب استفاده شود ⑤. از یک جداساز سیستم مناسب مطابق با مفاد EN 1٢٧٢٨ نوع BA استفاده کنید.

ایمنی الکتریکی

- همیشه مطمئن شوید که ولتاژ ورودی دستگاه برابر ولتاژی باشد که روی پلاک دستگاه نوشته شده است (ابزارهایی که ولتاژ ورودی آنها ٢٣٠ یا ٢٤٠ ولت مشخص شده است می توانند با برق ٢٢٠ ولت هم کار کنند)
- ابزار را به یک مدار شکن جریان خطا (FI) یا سقف جریان حداکثر ٣٠ میلی آمپر وصل کنید
- اطمینان حاصل کنید که کلیه اجزا و دستگاه های موجود در محیط کار که هادی جریان برق هستند در برابر پاشیده شدن آب محافظت شده باشند
- اتصالات سطحی آنها باید خشک بوده و روی زمین قرار نداشته باشند

! تأكد من أن درجة حرارة الماء الوارد لا تزيد عن ٤٠ درجة مئوية (في الأيام الحارة)
ع الماء يجري حتى يبرد قبل أن تقوم بتوصيل صنوبر الماء؛

تشغيل الأداة ⑧

- تأكد من أن الأداة موضوعة على قاعدة صلبة وفي وضع عمودي؛
- وصل الأداة بشبكة الإمداد الرئيسية (تأكد من أن المفتاح الرئيسي F في وضع إيقاف التشغيل)؛
- افتح صنوبر الماء؛
- اضغط على قفل الزناد A لتحرير الزناد B؛
- اضغط تمامًا على الزناد B لتحرير أي هواء محبوس في الأداة أو في خرطوم إمداد الماء؛

حرر الزناد B واضغط على قفل الزناد A؛

- قم بتشغيل الأداة بالضغط على الزر «تشغيل» بالمفتاح الرئيسي F؛
- بعد التشغيل يبدأ المحرك في الدوران ثنائيي قليلية حتى يتم الوصول لأقصى ضغط؛
- اضغط على قفل الزناد A ووجه فوهة الرشاش G للمنطقة المراد غسلها ثم اسحب الزناد B؛
- بَدَل بين منفذ ماء مركز ورشاش ماء عريض النطاق عن طريق إدارة الفوهة G؛
- عند خراب الزناد B يتوقف دوران المحرك بعد ثواني قليلة عند الوصول للحد الأقصى من الضغط؛
- أوقف تشغيل الأداة بالضغط على الزر «O» إيقاف التشغيل بالمفتاح الرئيسي F؛

أغلق صنوبر الماء؛

- اضغط تمامًا على الزناد B حتى لا يتبقى أي ضغط ماء إضافي في الأداة؛
- بعد الاستخدام اضغط على قفل الزناد A لتجنب تنشيط الزناد B عن غير قصد؛
- فصل القابس من مصدر الطاقة
- افصل خرطوم إمداد الماء عن الأداة وصنوبر الماء؛

استخدام زجاجة المنظف ⑨

- تأكد من أن الزناد مقل وأن مفتاح التشغيل الرئيسي في وضع إيقاف التشغيل؛
- فك الزجاجة H من فوهة المنظف L وقم بملئها بمنظف قابل للتحلل البيولوجي مناسب لاستخدامات الغاسلة بالضغط العالي (فاستخدام المنظفات أو المواد الكيميائية الأخرى قد يؤثر سلبًا على أمان الغاسلة)؛

! لا تستخدم منظفات غير مخففة؛

- اربط الزجاجة المملوءة H على فوهة المنظف L؛
- فك العصا K من المسدس اليدوي L وركب فوهة المنظف L بدلاً منها كما هو موضح في الشكل؛

- اضغط على قفل الزناد A ووجه فوهة المنظف L للمنطقة المراد غسلها ثم اسحب الزناد B؛
- ! المنظف لا يخرج عندما يقع تحت ضغط عالي؛

توصيات الاستخدام

- عند استخدام زجاجة المنظف H
- اقرأ ملصق المنظف لمعرفة التعليمات الإضافية؛
- قم دائمًا ببل الجسم أولاً؛
- ضع المنظف على الجسم من أسفل إلى أعلى؛
- اترك المنظف بعض الوقت ليقوم بفعوله، ولكن حَظَر نهائيًا تركه ليجمد؛
- اثنظف من أعلى متوجهًا لأسفل؛
- لزيد من التفاصيل زر موقعنا www.skil.com

الصيانة / الخدمة

- لم يتم تصميم هذه الأداة للاستخدام الاحترافي؛
- قبل إجراء الصيانة قم دائمًا بإيقاف تشغيل الأداة. وتأكد من عدم وجود ضغط ماء في الأداة والمسدس اليدوي. وافصل القابس عن مصدر الطاقة وافصل الأداة عن إمداد الماء؛
- احرص دائمًا على نظافة الأداة والسلك (وخصوصًا فتحات التهوية S)؛
- لا تستخدم الماء أو الزيوت أو المواد اللصقة؛
- قم بتنظيف فوهة الرش G بانتظام باستخدام إبرة التنظيف M (فك عصا الرش K من المسدس اليدوي L أولاً)؛

- خفف بانتظام بحثًا عن مكونات متآكلة أو تالفة وقم بإصلاحها/استبدالها إذا استعدى الأمر؛

تنظيف مرشح الماء

- فك مرشح الماء E ⑩ من موصل الدخول C ⑪ باستخدام كمامشة ذات مقدمة طويلة؛
- ونظفه بالشفط ثم أعده إلى موضعه (استبدله في حالة التلف)؛
- ! لا تستخدم الأداة نهائيًا في حالة تلف مرشح ماء؛

التخزين ⑫

- خزن الأداة بعيدًا عن متناول الأطفال في موضع لا تزيد فيه درجة الحرارة المحيطة عن ٤٠ درجة مئوية أو تقل عن ٠ درجة مئوية؛
- لا تضع أجسام أخرى على الأداة؛
- قم بتثبيت قضبان التخزين N على الحائط على نحو آمن باستخدام ٤ براغي (غير مرفقة) مع ضبطها أفقيًا؛
- استخدم قضبان التخزين N وشروط التخزين P كما هو موضح في الشكل؛

- إذا تعذر تشغيل الأداة على الرغم من الحذر الشديد في إجراءات التصنيع والاختبار، فيجب القيام بالإصلاحات بواسطة مركز خدمة ما بعد البيع لأدوات الطاقة التابع لشركة SKIL؛

- إذا بإرسال الأداة دون تفكيكها بالإضافة إلى إثبات الشراء إلى البائع أو أقرب محطة خدمة SKIL. العناوين بالإضافة إلى مخطط الخدمة متاحان على www.skil.com

اكتشاف المشاكل وإصلاحها

- توضح القائمة التالية أعراض المشاكل والأسباب المحتملة والإجراءات التصحيحية (إذا لم يعمل ذلك على التعرف على المشكلة وإصلاحها، اتصل بالبائع أو محطة الخدمة)؛

! قم بإيقاف تشغيل الأداة وافصل القابس قبل التحقق في المشكلة:

- ★ الرش غير متناسق
 - الفوهة مسدودة جزئيًا > نظّف الفوهة؛
- ★ المحرك لا يبدأ العمل أو يتوقف فجأة
 - في حالة تعطل مقبس إمداد الطاقة > استخدم مقبس آخر؛
 - إذا لم يتم توصيل القابس > قم بتوصيل القابس؛
 - الحماية الحرارية أوقفت تشغيل المحرك > اترك الأداة تبرد لمدة ٥ دقائق؛
- ★ المحرك يدور ولكن الرش ضعيف
 - الفوهة مسدودة تمامًا > نظّف الفوهة؛
 - فلتلر الماء مسدود > نظف مرشح الماء؛
 - يوجد هواء في المضخة > تأكد من تركيب موصل مدخل الماء على نحو آمن؛
 - إمداد الماء غير كافي > خفف من فتح صنوبر الماء بالكامل؛

البيئة المحيطة

- لا تتخلص من الأدوات الكهربائية والملحقات ومواد التغليف مع النفايات المنزلية (الدول الاتحاد الأوروبي فقط)؛

- وفقًا للتوجيه الأوروبي ٢٠١٢/١٩/EC حول نفايات المعدات الكهربائية والإلكترونية وتنظيمه بالتوافق مع القانون المحلي، يجب جمع الأدوات الكهربائية منتهية الصلاحية بشكل منفصل وإرسالها إلى أحد منشآت إعادة التصنيع التوافقية مع البيئة؛
- سيذكرك الرمز ⑬ بهذا عند الحاجة إلى التخلص من أية أداة؛

إعلان توافق CE

- نحن نقر على مسئوليتنا الخاصة أن المنتج الموضح في «البيانات الفنية» يتوافق مع العايير أو المستندات المعيارية التالية EN ١٠٣٣٥ و EN ١١٠٠٠ و EN ٥٥٠١٤ و EN ٢٠٠١/٤٢/EC و EN ٢٠٠٤/١٠٠/EC و EN ٢٠٠١/٩٥/EC مع شروط التوجيهات ٢٠١١/٥/EU و ٢٠٠١/٤/EU و ٢٠١١/٥/EU
- الملف الفني على SKIL Europe BV (PT-SEU/ENG)؛ ٤٢٥ BD Breda, NL

Marijn van der Hoofden
Operations & Engineering

Olaf Dijkgraaf
Approval Manager




SKIL Europe BV, 4825 BD Breda, NL

غاسلة بالضغط العالي

٠٧٦٠

مقدمة

- تم تصميم هذه الأداة لتنظيف المناطق والأجسام الموجودة خارج المنزل والركبات والفورب:
- وهي مخصصة للاستخدام المنزلي فقط ولم يتم تصميمها للتشغيل بمياه ترد من مصادر أخرى بخلاف ماء الصنبور:
- لم يتم تصميم هذه الأداة للاستخدام الاحترافي:
- اقرأ دليل الإرشادات هذا بعناية قبل الاستخدام. واحتفظ به كمرجع في المستقبل ②
- انتبه بشكل خاص إلى تعليمات وتحذيرات السلامة: فقد يؤدي الإخفاق في الالتزام بهذه التعليمات إلى التعرض لإصابة خطيرة:
- تأكد أن المغلف يحتوي على جميع الأجزاء كما هو موضح في الشكل ①.
- في حالة تعرض أجزاء للنفد أو التلف، يرجى الاتصال بالبائع الذي اشتريته منه:

البيانات الفنية ①

- ضغط العمل (P) ٧ ميجا باسكال
- الحد الأقصى لضغط العمل ١٠ (Pmax) ميجا باسكال
- ضغط الدخل ٠.١ - ٠.٢ ميجا باسكال

مكونات الأداة ②

- A قفل الزناد
- B الزناد
- C موصل المدخل
- D مدخل الماء
- E مرشح الماء
- F الفتح الرئيسي
- G فوهة الرش
- H زجاجة المنظف
- J فوهة المنظف
- K عصا الرش
- L مسدس بدوي
- M إبرة تنظيف
- N قضبان التخزين (البرازي غير مرفقة)
- P شريط التخزين (١)
- Q خرطوم الضغط العالي
- R منفذ الماء
- S فتحات التهوية
- T وصلة لشروط التخزين

أمان

معلومات عامة

- استخدم الأداة وملحقاتها وفقاً لدليل التعليمات وهذا وعلى النحو المعد للأداة:
- فقد يؤدي استخدام الأداة لعمليات تختلف عن تلك العمليات المتوقع إجرائها عادة بالأداة إلى حالة خطر:
- يُحظر تعبئة سائل يحتوي على مبيبات أو أمحاض غير مخففة أو مذيبات (مثل البترول ومخففات الطلاء وزيت التسخين): فهذه السوائل تنتج بخار رش قابل للإشمال وللانفجار بشدة وسام. كما تتسبب في تآكل مكونات الأداة:
- لا تُستخدم الأداة إلا في درجة حرارة محيطية تتراوح بين ٠ و ٤٠ درجة مئوية:
- يُحظر بدء العمل والأداة ومعدات التشغيل في ظروف مثالية وأمنة للتشغيل:
- انتبه جيداً لقوى الارتداد التي تحدث عند بدء تشغيل غاسلة الضغط العالي:
- احكم الإمساع باللمس اليدوي وعصا الرش واتخذ مسافة آمنة:
- يُحظر نهائيًا تثبيت الزناد في موضعه أثناء التشغيل:
- يُحظر نهائيًا توجيه منفذ الماء نحو الأشخاص أو الحيوانات أو المعدات الكهربائية الموصلة بالتيار الكهربائي أو نحو الأداة نفسها ④:
- يُحظر نهائيًا ترك الأداة بدون مراقبة أثناء دوران المحرك:
- لا تقم بتشغيل الأداة في مواقع من المحتمل أن تتعرض للانفجار:

- قم دائمًا بإيقاف تشغيل الأداة وفصل القابس عن مصدر الطاقة وتأكد من خلو الأداة والسدس اليدوي من ضغط الماء قبل إجراء ضبط أو تغيير الملحقات:

أمان الأشخاص

- لم يتم تصميم هذه الأداة للاستخدام بواسطة أفراد (بما فيهم الأطفال) ذوي قدرات بدنية أو حسية أو عقلية منخفضة أو محدودو الخبرة والمعرفة ما لم يتم الإشراف عليهم وتدريبهم بالتعليمات المتعلقة بكيفية استخدام الأداة بواسطة فرد مسئول عن سلامتهم:
- تأكد من أن الأطفال لا يعثرون بالأداة:
- ارتد ملابس واقية مناسبة للحماية من الماء المتناثر:
- لا تستخدم الأداة مع وجود أشخاص آخرين على مقربة ما لم يرتدوا ملابس واقية:
- لا ترش المواد التي تحتوي على الأستبيستوس والمواد الأخرى التي تحتوي على مواد تشكل خطورة على صحتك:
- نظف الإطارات/صمامات الإطار على مسافة لا تقل عن ٣٠ سم للحوادث دون تعرضهم للتلف (إطارات المركبات الثالفة قد تتسبب في وقوع حوادث خطيرة):
- لا توجه منفذ الماء نحوك أو نحو الآخرين بغرض تنظيف الملابس أو الأحذية:

إمداد الماء

- لا تستخدم سوى خرطوم وقارئة الضغط العالي المرفقان مع الأداة:
- استبدل خرطوم الضغط العالي التالف على الفور (بمواصفات مطابقة):
- لا تثن خرطوم الضغط العالي أو تقود مركبة فوقه:
- لا تعرّض خرطوم الضغط العالي للحواف أو الزوايا الحادة:
- تأكد من أن كل خرطوم التوصيل مرؤدة بوصلات منع تسرب مناسبة:
- انتبه جيداً إلى أن الماء الذي ترشه الأداة غير صالح للشرب:
- وفقاً للتعليمات المطبقة، يُحظر نهائيًا استخدام الجهاز مع شبكة مياه الشرب بدون عزل للنظام ⑤: استخدم عازل نظام ملائم وفقاً لـ EN ١٢٧٢٩ الفئة AB.

الأمان الكهربائي

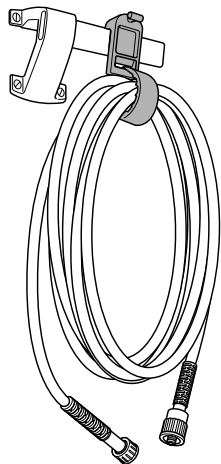
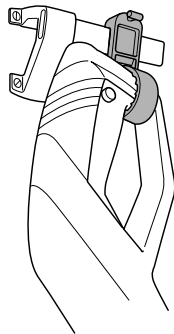
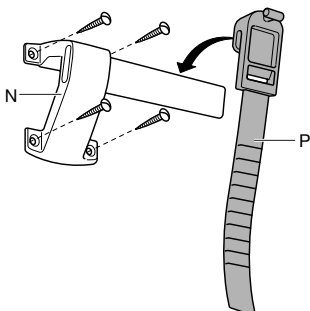
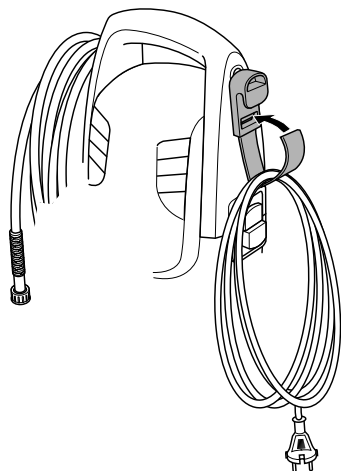
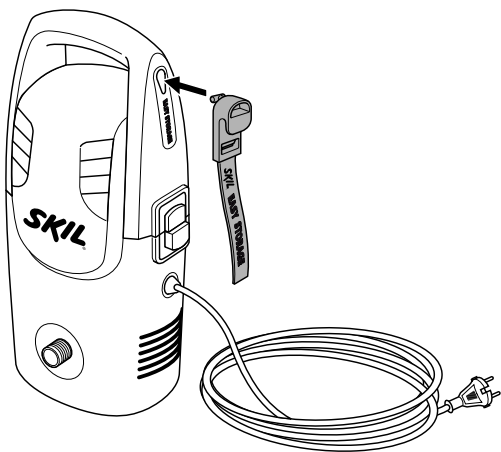
- تأكد دائماً من أن الفولت المزود هو نفسه المشار إليه على اللوحة الخاصة بالأداة (يمكن كذلك توصيل الأدوات ذات التصنيف ٢٣٠ فولت أو ٢٤٠ فولت بمصدر إمداد ٢٢٠ فولت):
- قم بتوصيل الأداة عبر قاطع تيار (FI) دائرة الفحص باستخدام تيار بدء التشغيل مقداره ٣٠ مللي أمبير بحد أقصى:
- تأكد من أن كل المكونات الموصلة للتيار الموجودة في منطقة العمل محمية من الماء المتناثر:
- حافظ على وصلات السلك جافة ومرتمفة عن الأرض:
- قم بفحص السلك بشكل دوري وإذا تعرض للتلف، استعن بشخص مؤهل لاستبداله:
- لا تطأ بقدميك فوق سلك (التصديد) أو تدسه أو تنسجه:
- قم بحماية سلك (التصديد) من الحرارة والزيوت والحواف الحادة:
- لا تستخدم سوى سلك تمديد مخصص للاستخدام في المناطق المفتوحة ومرؤد بقابس مسلك للماء ومقبس وصل:
- استخدم أسلاك تمديد مفكوكة تماماً وآمنة سعة ١٦ أمبير (١٣ أمبير في بريطانيا العظمى)
- قم فقط باستخدام أسلاك تمديد بطول ٢٠ متر (١,٥ متر) ٢) مر ٥٠ متر (٢,٥ متر) ٣) بحد أقصى:
- قم بفحص سلك التمديد بشكل دوري واستبدله في حال تلفه (أسلاك التمديد غير الملائمة قد تكون خطيرة)
- يُحظر نهائيًا لمس القابس الرئيسي بالأيدي الباردة:
- قم دائماً بإيقاف تشغيل الأداة وفصل القابس من مصدر الطاقة إذا تعرض سلك إمداد الطاقة أو سلك التمديد للقطع أو التلف أو الاحتراق (لا تقم بلمس السلك قبل فصل القابس):

الاستخدام

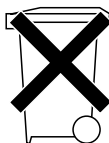
تعليمات التجميع ①

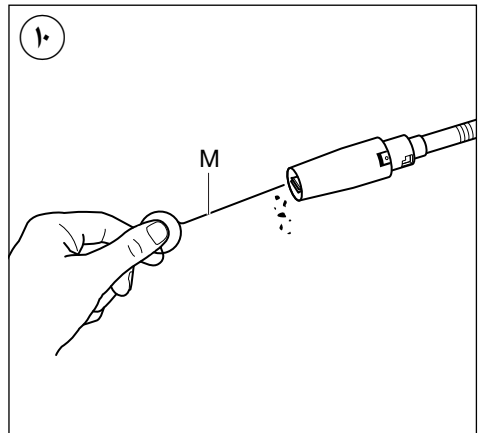
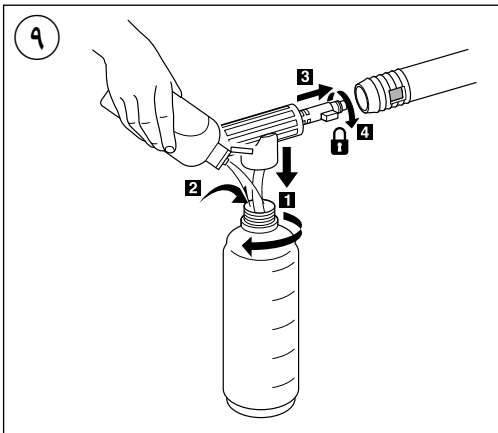
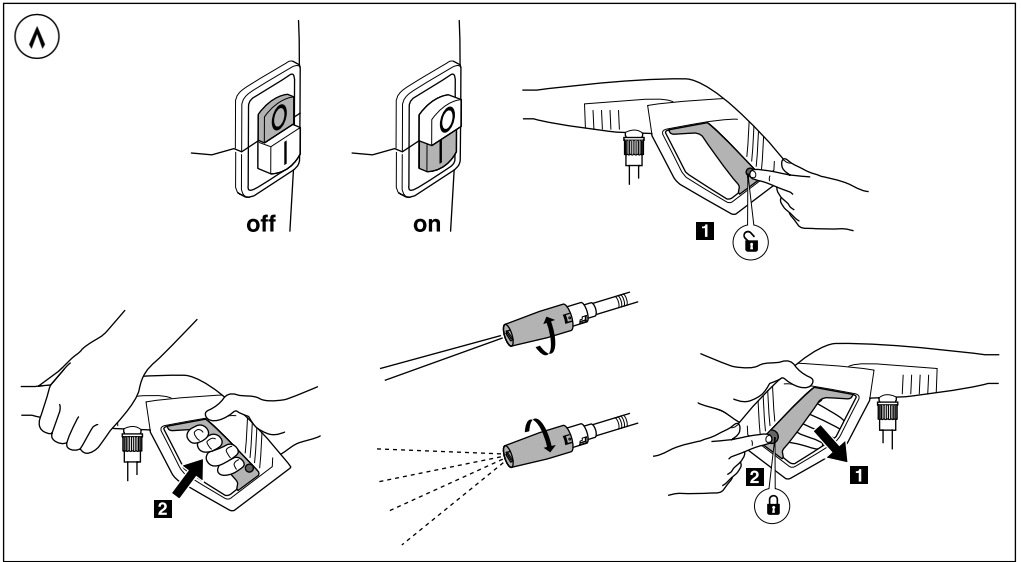
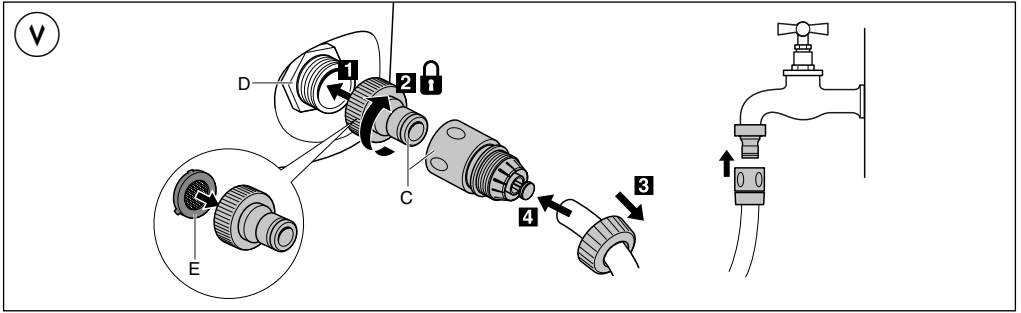
- يتفق ترتيب الأرقام الظاهرة في الصور مع ترتيب الخطوات التي يجب إتباعها لتجميع الغاسلة بالضغط العالي:
- من باب الحيلة، اضغط على قفل الزناد A لتجنب تنشيط الزناد B عن غير قصد:
- التوصيل بإمداد الماء ⑤
- اربط موصل المدخل C في مدخل الماء D.
- يُحظر نهائيًا استخدام موصل المدخل C بدون مرشح الماء E:
- ثبت خرطوم إمداد الماء (غير مرفق) بصنوبر الماء وموصل المدخل C.

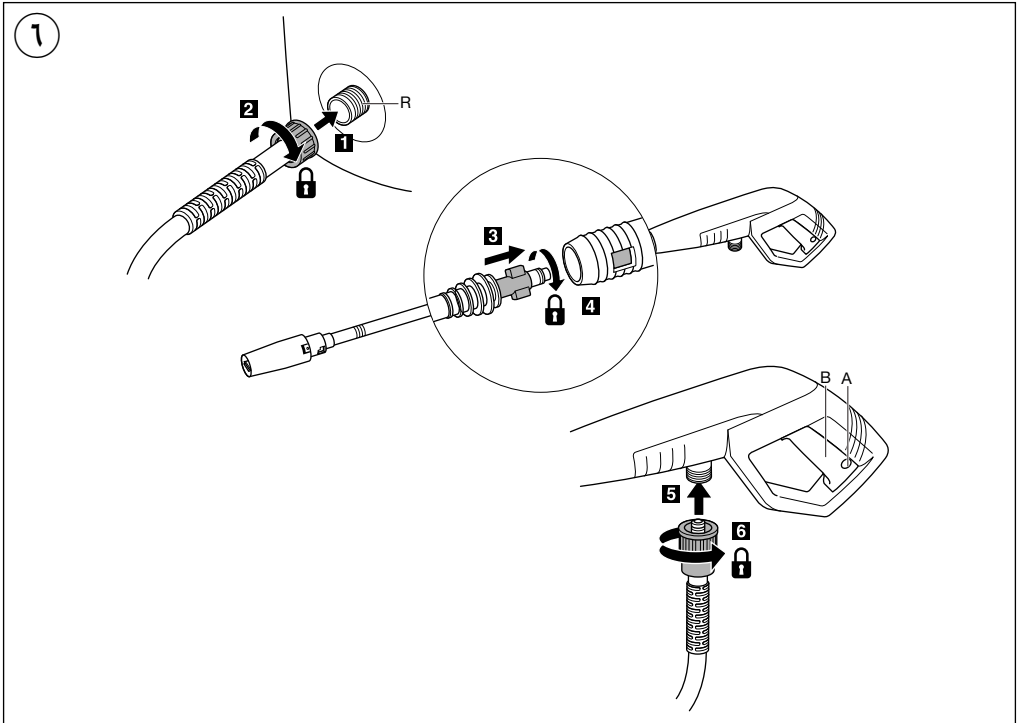
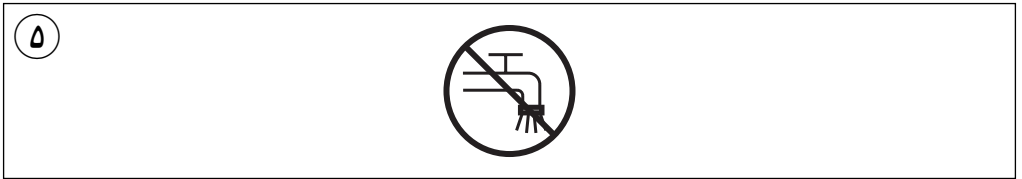
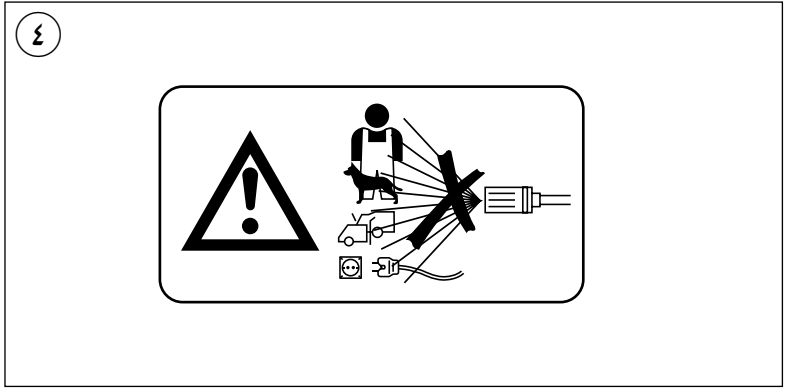
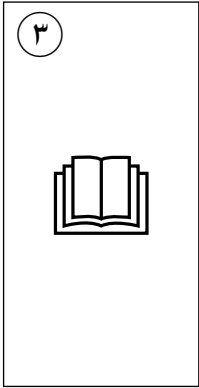
11



12







1

0760

1400
Watt

P
7
MPa

Pmax
10
MPa

5
l/min

MAX
40°C

5 mtrs

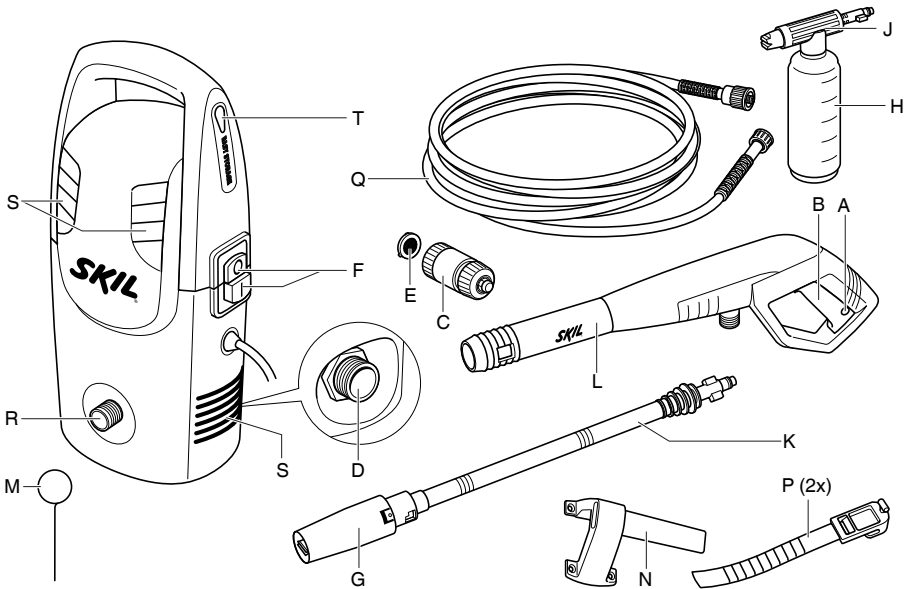
5 mtrs

500 ml

4,5 kg
EPTA 01/2003

230
240
V~
50-60 Hz

2



غاسلة بالضغط العالي

0760

SKIL[®]



دليل الاستعمال

AR

راهنماي اصلي

FA



2610Z05366

02/14

سكيل أوروبا ب.د.ق. - كونينانبرج 60
4825 ب.د. بريدا - هولندا



Сертификат о соответствии

KZ.7500052.22.01.00080

Срок действия сертификата о соответствии

по 09.07.2018

ТОО «Центр Сертификации продукции и услуг»

г. Алматы, ул Кабанбай батыра,

уг. Калдаякова 51/78

ДАТА ПРОИЗВОДСТВА