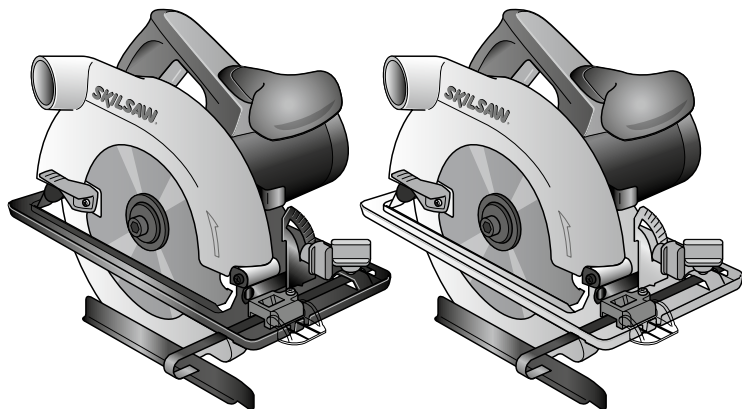




# CIRCULAR SAW 5665 (F0155665..) 5765 (F0155765..)



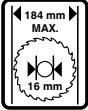
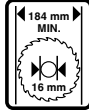
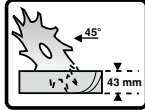
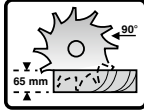
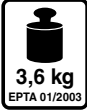
<b>GB</b>	ORIGINAL INSTRUCTIONS	8	<b>GR</b>	ΠΡΩΤΟΤΥΠΟ ΟΔΗΓΙΩΝ ΧΡΗΣΗΣ	85
<b>F</b>	NOTICE ORIGINALE	12	<b>RO</b>	INSTRUCȚIUNI DE FOLOSIRE ORIGINALE	91
<b>D</b>	ORIGINALBETRIEBSANLEITUNG	17	<b>BG</b>	ОРИГИНАЛНО РЪКОВОДСТВО ЗА ЕКСПЛОАТАЦИЯ	96
<b>NL</b>	ORIGINELE GEBRUIKSAANWIJZING	22	<b>SK</b>	PŔOVODNÝ NÁVOD NA POUŽITIE	102
<b>S</b>	BRUKSANVISNING I ORIGINAL	27	<b>HR</b>	ORIGINALNE UPUTE ZA RAD	107
<b>DK</b>	ORIGINAL BRUGSANVISNING	32	<b>SRB</b>	ORIGINALNO UPUTSTVO ZA RAD	111
<b>N</b>	ORIGINAL BRUKSANVISNING	36	<b>SLO</b>	IZVIRNA NAVODILA	116
<b>FIN</b>	ALKUPERÄISET OHJEET	41	<b>EST</b>	ALGUPÄRANE KASUTUSJUHEND	120
<b>E</b>	MANUAL ORIGINAL	45	<b>LV</b>	ORIĢINĀLĀ LIETOŠANAS PAMĀCĪBA	125
<b>P</b>	MANUAL ORIGINAL	50	<b>LT</b>	ORIGINALI INSTRUKCIJA	130
<b>I</b>	ISTRUZIONI ORIGINALI	55	<b>MK</b>	ИЗБОРНО УПАТСТВО ЗА РАБОТА	135
<b>H</b>	EREDETI HASZNÁLATI UTASÍTÁS	60	<b>AL</b>	UDHËZIMET ORIGINALE	140
<b>CZ</b>	PŔVODNÍM NÁVODEM K POUŽÍVÁNÍ	66	<b>AR</b>	دليل الاستعمال	153
<b>TR</b>	ORIJİNAL İŞLETME TALİMATI	70	<b>FA</b>	راهنمای اصلی	150
<b>PL</b>	INSTRUKCJA ORYGINALNA	75			
<b>UA</b>	ОРИГІНАЛЬНА ІНСТРУКЦІЯ З ЕКСПЛУАТАЦІЇ	80			



1

5665

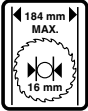
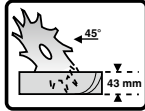
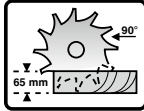
1250  
Watt



220  
-  
240  
V~  
50-60 Hz

5765

1350  
Watt

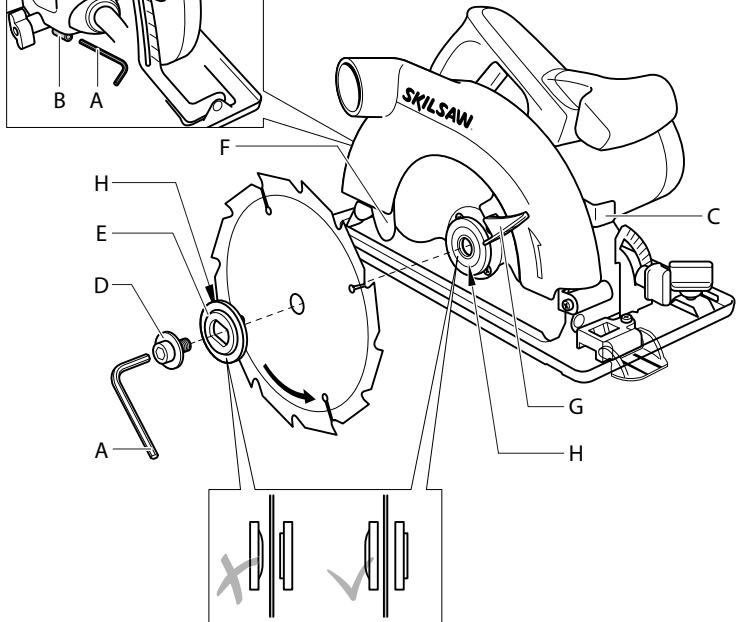
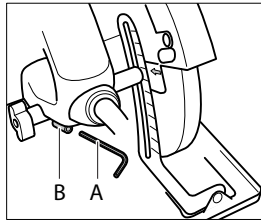
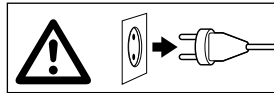


220  
-  
240  
V~  
50-60 Hz

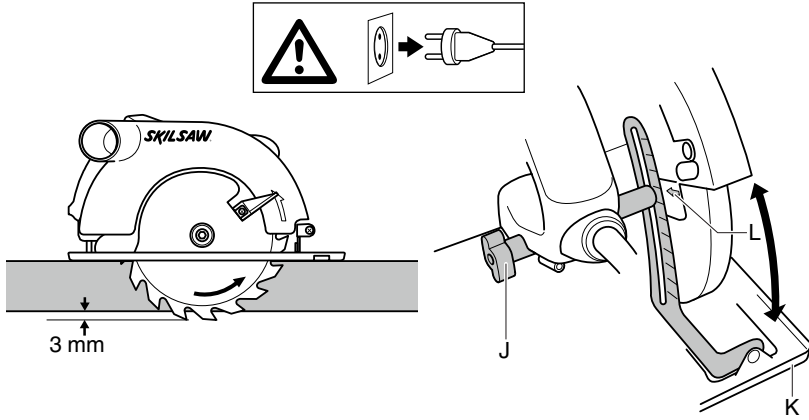
2



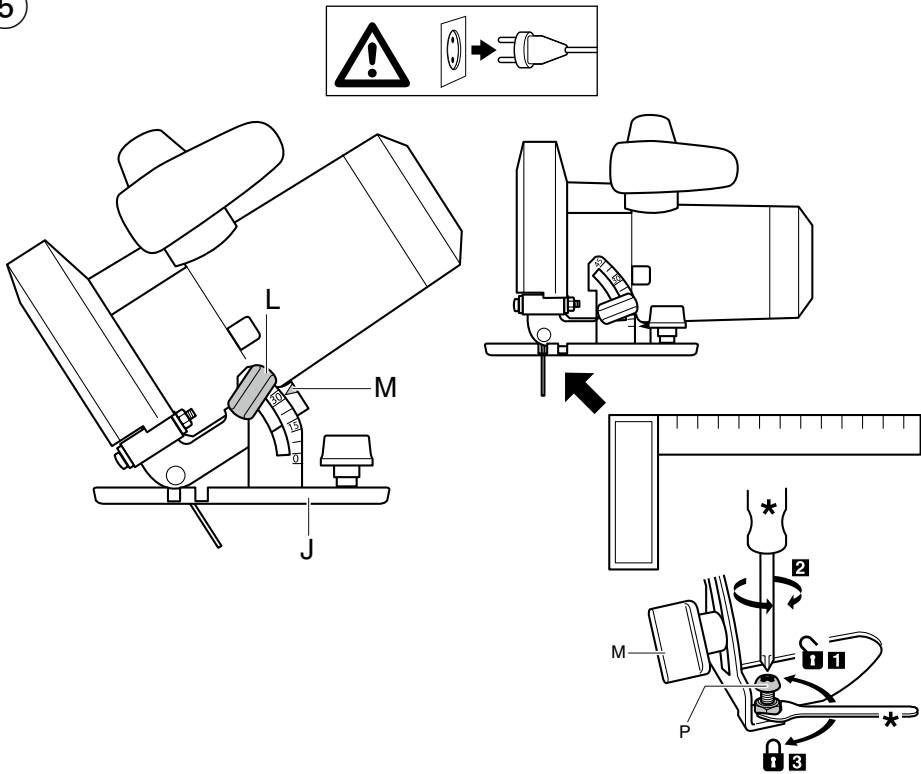
3



4

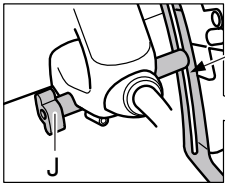
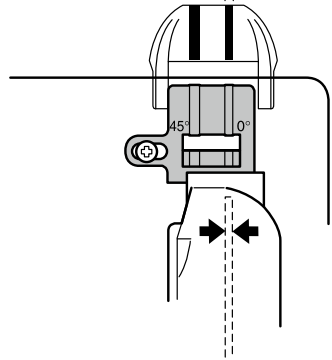
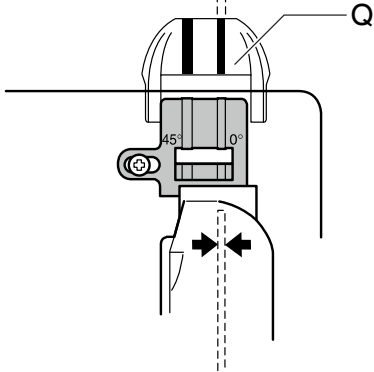
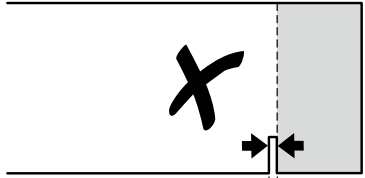


5



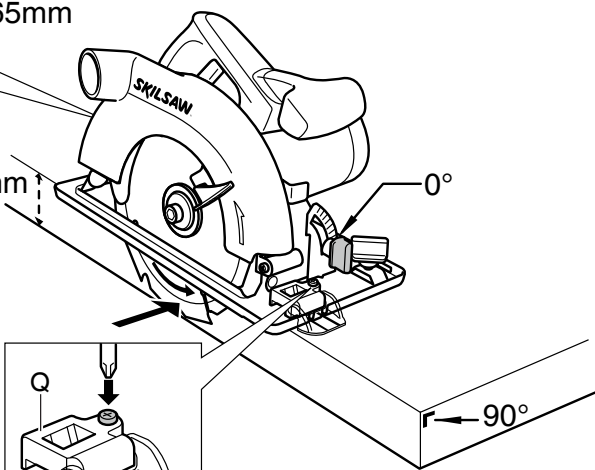
\* NOT STANDARD INCLUDED

6



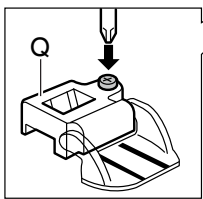
65mm

≥ 65mm



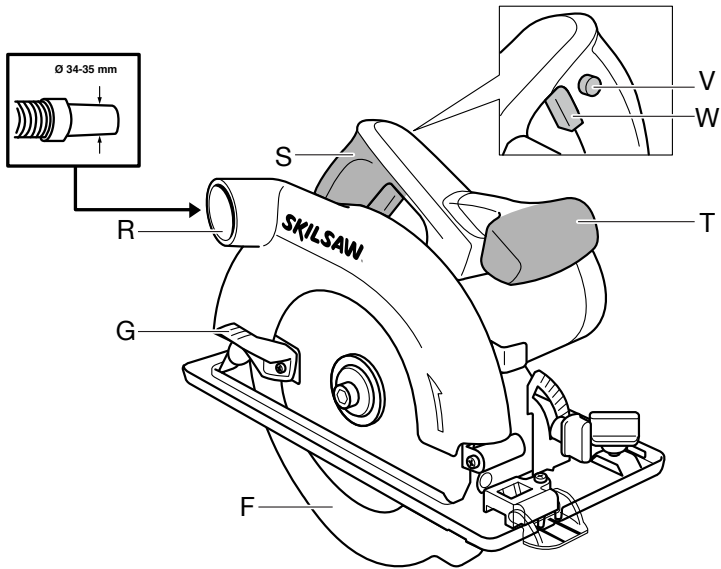
0°

90°

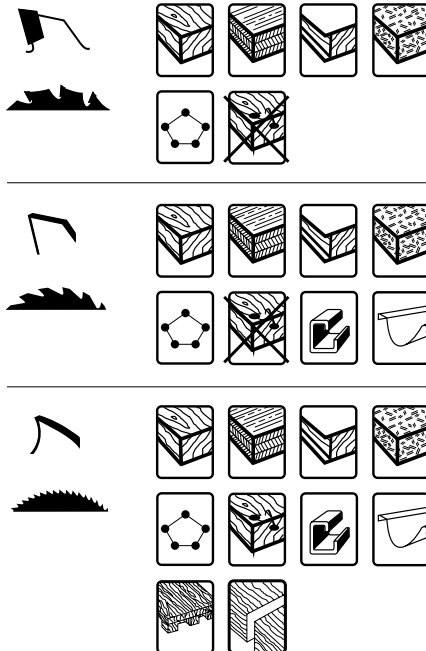




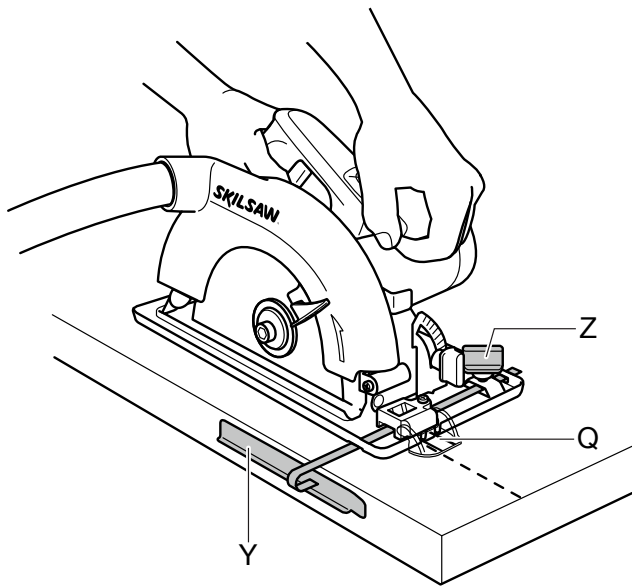
7



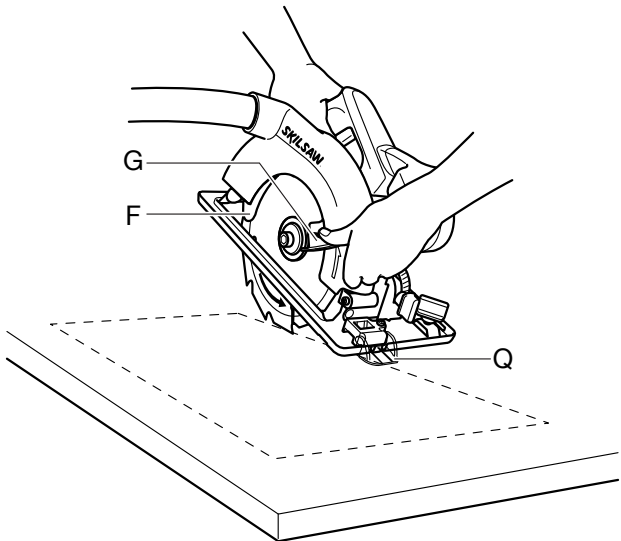
8



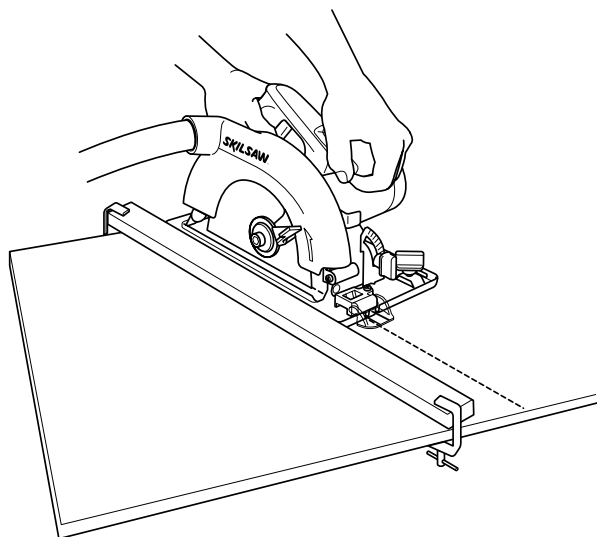
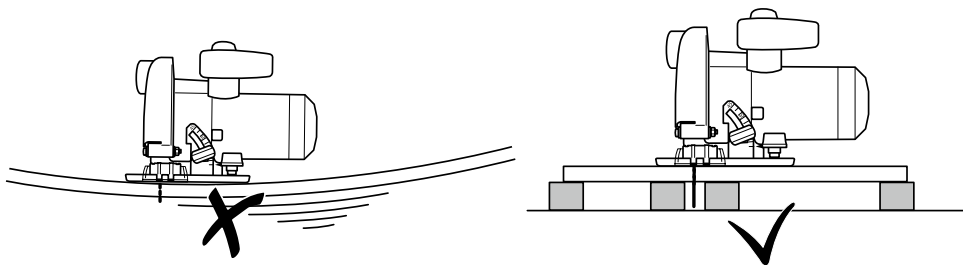
9



10



11



12



ACCESSORIES



WWW.SKIL.COM

## Circular saw

5665/5765

## INTRODUCTION

- This tool is intended for lengthways and crossways cutting of wood with straight cuts as well as angle cuts up to 45°; with the appropriate saw blades also non-ferrous metals, light building materials and plastics can be cut
- This tool is not intended for professional use
- Read and save this instruction manual ②

## TECHNICAL DATA ①

## SAFETY

## GENERAL SAFETY INSTRUCTIONS

**⚠ WARNING! Read all safety warnings and all instructions.** Failure to follow the warnings and instructions may result in electric shock, fire and/or serious injury. **Save all warnings and instructions for future reference.** The term "power tool" in the warnings refers to your mains-operated (corded) power tool or battery-operated (cordless) power tool.

## 1) WORK AREA SAFETY

- Keep work area clean and well lit.** Cluttered or dark areas invite accidents.
- Do not operate power tools in explosive atmospheres, such as in the presence of flammable liquids, gases or dust.** Power tools create sparks which may ignite the dust or fumes.
- Keep children and bystanders away while operating a power tool.** Distractions can cause you to lose control.

## 2) ELECTRICAL SAFETY

- Power tool plugs must match the outlet. Never modify the plug in any way. Do not use any adapter plugs with earthed (grounded) power tools.** Unmodified plugs and matching outlets will reduce risk of electric shock.
- Avoid body contact with earthed or grounded surfaces such as pipes, radiators, ranges and refrigerators.** There is an increased risk of electric shock if your body is earthed or grounded.
- Do not expose power tools to rain or wet conditions.** Water entering a power tool will increase the risk of electric shock.
- Do not abuse the cord. Never use the cord for carrying, pulling or unplugging the power tool. Keep cord away from heat, oil, sharp edges or moving parts.** Damaged or entangled cords increase the risk of electric shock.
- When operating a power tool outdoors, use an extension cord suitable for outdoor use.** Use of a cord suitable for outdoor use reduces the risk of electric shock.
- If operating a power tool in a damp location is unavoidable, use an earth leakage circuit breaker.** Use of an earth leakage circuit breaker reduces the risk of electric shock.

## 3) PERSONAL SAFETY

- Stay alert, watch what you are doing and use common sense when operating a power tool. Do not use a power tool while you are tired or under the influence of drugs, alcohol or medication.** A moment of inattention while operating power tools may result in serious personal injury.
  - Use personal protective equipment. Always wear eye protection.** Protective equipment such as dust mask, non-skid safety shoes, hard hat, or hearing protection used for appropriate conditions will reduce personal injuries.
  - Prevent unintentional starting. Ensure the switch is in the off-position before connecting to power source and/or battery pack, picking up or carrying the tool.** Carrying power tools with your finger on the switch or energising power tools that have the switch on invites accidents.
  - Remove any adjusting key or wrench before turning the power tool on.** A wrench or a key left attached to a rotating part of the power tool may result in personal injury.
  - Do not overreach. Keep proper footing and balance at all times.** This enables better control of the power tool in unexpected situations.
  - Dress properly. Do not wear loose clothing or jewelry. Keep your hair, clothing and gloves away from moving parts.** Loose clothes, jewelry or long hair can be caught in moving parts.
  - If devices are provided for the connection of dust extraction and collection facilities, ensure these are connected and properly used.** Use of dust collection can reduce dust-related hazards.
- 4) POWER TOOL USE AND CARE**
- Do not force the power tool. Use the correct power tool for your application.** The correct power tool will do the job better and safer at the rate for which it was designed.
  - Do not use the power tool if the switch does not turn it on and off.** Any power tool that cannot be controlled with the switch is dangerous and must be repaired.
  - Disconnect the plug from the power source and/or the battery pack from the power tool before making any adjustments, changing accessories, or storing power tools.** Such preventive safety measures reduce the risk of starting the power tool accidentally.
  - Store idle power tools out of the reach of children and do not allow persons unfamiliar with the power tool or these instructions to operate the power tool.** Power tools are dangerous in the hands of untrained users.
  - Maintain power tools. Check for misalignment or binding of moving parts, breakage of parts and any other condition that may affect the power tool's operation. If damaged, have the power tool repaired before use.** Many accidents are caused by poorly maintained power tools.
  - Keep cutting tools sharp and clean.** Properly maintained cutting tools with sharp cutting edges are less likely to bind and are easier to control.
  - Use the power tool, accessories and tool bits etc., in accordance with these instructions, taking into**

account the working conditions and the work to be performed. Use of the power tool for operations different from those intended could result in a hazardous situation.

## 5) SERVICE

- a) **Have your power tool serviced by a qualified repair person using only identical replacement parts.** This will ensure that the safety of the power tool is maintained.

## SAFETY WARNINGS FOR CIRCULAR SAWS

### 1) CUTTING PROCEDURES

- a) **⚠ DANGER : Keep hands away from cutting area and the blade. Keep your second hand on auxiliary handle, or motor housing.** If both hands are holding the saw, they can not be cut by the blade.
- b) **Do not reach underneath the workpiece.** The guard cannot protect you from the blade below the workpiece.
- c) **Adjust the cutting depth to the thickness of the workpiece.** Less than a full tooth of the blade teeth should be visible below the workpiece.
- d) **Never hold the workpiece being cut in your hands or across your leg. Secure the workpiece to a stable platform.** It is important to support the work properly to minimize body exposure, blade binding, or loss of control.
- e) **Hold the power tool by insulated gripping surfaces only, when performing an operation where the cutting tool may contact hidden wiring or its own cord.** Contact with a “live” wire will also make exposed metal parts of the power tool “live” and could give the operator an electric shock.
- f) **When ripping always use a parallel guide or straight edge guide.** This improves the accuracy of cut and reduces the chance of blade binding.
- g) **Always use blades with correct size and shape (diamond versus round) of arbour holes.** Blades that do not match the mounting hardware of the saw will run eccentrically, causing loss of control.
- h) **Never use damaged or incorrect blade washers or bolt.** The blade washers and bolt were specially designed for your saw, for optimum performance and safety of operation.

### 2) KICKBACK CAUSES AND RELATED WARNINGS

- Kickback is a sudden reaction to a pinched, bound or misaligned saw blade, causing an uncontrolled saw to lift up and out of the workpiece toward the operator
  - When the blade is pinched or bound tightly by the kerf closing down, the blade stalls and the motor reaction drives the unit rapidly back toward the operator
  - If the blade becomes twisted or misaligned in the cut, the teeth at the back edge of the blade can dig into the top surface of the wood causing the blade to climb out of the kerf and jump back towards operator
  - Kickback is the result of tool misuse and/or incorrect operating procedures or conditions and can be avoided by taking proper precautions as given below
- a) **Maintain a firm grip with both hands on the saw and position your arms to resist kickback forces. Position your body to either side of the blade, but not in line with the blade.** Kickback could cause the saw to jump backwards, but kickback forces can be controlled by the operator, if proper precautions are taken.
- b) **When blade is binding, or when interrupting a cut for any reason, release the trigger and hold the saw**

**motionless in the material until the blade comes to a complete stop. Never attempt to remove the saw from the work or pull the saw backwards while the blade is in motion or kickback may occur.** Investigate and take corrective actions to eliminate the cause of blade binding. Avoid cutting nails or screws.

- c) **When restarting a saw in the workpiece, centre the saw blade in the kerf and check that saw teeth are not engaged into the material.** If saw blade is binding, it may walk up or kickback from the workpiece as the saw is restarted.
- d) **Support large panels to minimise the risk of blade pinching and kickback.** Large panels tend to sag under their own weight. Supports must be placed under the panel on both sides, near the line of cut and near the edge of the panel.
- e) **Do not use dull or damaged blades.** Unsharpened or improperly set blades produce narrow kerf causing excessive friction, blade binding and kickback.
- f) **Blade depth and bevel adjusting locking levers must be tight and secure before making cut.** If blade adjustment shifts while cutting, it may cause binding and kickback.
- g) **Use extra caution when sawing into existing walls or other blind areas.** The protruding blade may cut objects that can cause kickback.

### 3) LOWER GUARD FUNCTION

- a) **Check lower guard for proper closing before each use. Do not operate the saw if lower guard does not move freely and close instantly. Never clamp or tie the lower guard into the open position.** If saw is accidentally dropped, lower guard may be bent. Disconnect the plug, raise the lower guard with the retracting handle and make sure it moves freely and does not touch the blade or any other part, in all angles and depths of cut.
- b) **Check the operation of the lower guard spring. If the guard and the spring are not operating properly, they must be serviced before use.** Lower guard may operate sluggishly due to damaged parts, gummy deposits, or a build-up of debris.
- c) **Lower guard should be retracted manually only for special cuts such as plunge cuts and compound cuts. Raise lower guard by retracting handle and as soon as blade enters the material, the lower guard must be released.** For all other sawing, the lower guard should operate automatically.
- d) **Always observe that the lower guard is covering the blade before placing saw down on bench or floor.** An unprotected, coasting blade will cause the saw to walk backwards, cutting whatever is in its path. Be aware of the time it takes for the blade to stop after switch is released.

## ADDITIONAL SAFETY WARNINGS

### GENERAL

- This tool should not be used by people under the age of 16 years
- This tool is not suitable for wet cutting
- **Always disconnect plug from power source before making any adjustment or changing any accessory**

- Never use the tool when cord is damaged; have it replaced by a qualified person
- **Do not work materials containing asbestos** (asbestos is considered carcinogenic)
- Dust from material such as paint containing lead, some wood species, minerals and metal may be harmful (contact with or inhalation of the dust may cause allergic reactions and/or respiratory diseases to the operator or bystanders); **wear a dust mask and work with a dust extraction device when connectable**
- Certain kinds of dust are classified as carcinogenic (such as oak and beech dust) especially in conjunction with additives for wood conditioning; **wear a dust mask and work with a dust extraction device when connectable**
- Follow the dust-related national requirements for the materials you want to work with
- Only use a saw table provided with a switch that prevents restarting of the motor after interruption of voltage
- Only use a saw table provided with a kerf guide

#### ACCESSORIES

- SKIL can assure flawless functioning of the tool only when original accessories are used
- Use only accessories with an allowable speed matching at least the highest no-load speed of the tool
- **Use only saw blades with a minimum diameter of 170 mm, a maximum diameter of 184 mm and a spindle hole of 16 mm**
- Never use saw blades made of high speed steel (HSS)
- Never use grinding/cutting discs with this tool

#### BEFORE USE

- Always check that the supply voltage is the same as the voltage indicated on the nameplate of the tool (tools with a rating of 230V or 240V can also be connected to a 220V supply)
- Avoid damage that can be caused by screws, nails and other elements in your workpiece; remove them before you start working
- Remove all obstacles on top of as well as underneath the cutting path before you start cutting
- **Secure the workpiece** (a workpiece clamped with clamping devices or in a vice is held more securely than by hand)
- **Use suitable detectors to find hidden utility lines or call the local utility company for assistance** (contact with electric lines can lead to fire or electrical shock; damaging a gas line can result in an explosion; penetrating a water pipe will cause property damage or an electrical shock)
- Use completely unrolled and safe extension cords with a capacity of 16 Amps (U.K. 13 Amps)

#### DURING USE

- The noise level when working can exceed 85 dB(A); wear ear protection
- Never use the tool without the original protection guard system
- Do not attempt to cut extremely small workpieces
- Do not work overhead with the tool
- In case of jamming or electrical or mechanical malfunction, immediately switch off the tool and disconnect the plug
- If the cord is damaged or cut through while working, do not touch the cord, but immediately disconnect the plug

#### AFTER USE

- When you put away the tool, switch off the motor and ensure that all moving parts have come to a complete standstill
  - After switching off your circular saw, never stop the rotation of the saw blade by a lateral force applied against it
- WHEN CONNECTING NEW 3-PIN PLUG (U.K. ONLY):**
- Do not connect the blue (= neutral) or brown (= live) wire in the cord of this tool to the earth terminal of the plug
  - If for any reason the old plug is cut off the cord of this tool, it must be disposed of safely and not left unattended

#### USE

- Mounting saw blade ③
  - ! **disconnect the plug**
    - take hex key A from storage B
    - push spindle-lock button C and hold it while you remove blade bolt D with hex key
  - ! **push spindle-lock button C only when tool is at a standstill**
    - release spindle-lock button C
    - remove flange E
    - open lower guard F with lever G and hold it while you mount saw blade with saw teeth and arrow printed on saw blade pointing in same direction as arrow on upper guard
    - release lower guard F
    - mount flange E
  - ! **make sure that clamping surfaces H of flanges are perfectly clean and face the blade**
    - push spindle-lock button C and hold it while you tighten blade bolt with hex key 1/8 turn past finger tight (ensures slippage of saw blade when it encounters excessive resistance thus reducing motor overload and saw kickback)
    - release spindle-lock button C
- Adjusting cutting depth (0-65 mm) ④
  - for an optimal quality cut the saw blade should not extend more than 3 mm below the workpiece
  - loosen knob J
  - raise/lower foot K until desired cutting depth is set on scale using indicator L
  - tighten knob J
- Adjusting cutting angle (0-45°) ⑤
  - loosen knob M
  - tilt tool until desired cutting angle is set on scale using indicator N
  - tighten knob M
  - ! **when bevel cutting, cutting depth does not correspond with value on cutting depth scale**
- 90° Cutting angle check ⑤
  - adjust and tighten foot K to maximum cutting depth ④
  - adjust and tighten cutting angle to 0°
  - check for a 90° angle between the blade and bottom of foot with a square
  - if adjustment is needed, loosen knob M and use adjustment screw P as illustrated
- Adjustable saw line visor Q ⑥a
  - for guiding tool along desired line of cut marked on the workpiece
  - for a straight 0° cut or a 45° bevel cut use the indicator line concerned

- ! **the wide part of the foot should rest on the supported part of the workpiece**
- can be adjusted to allow you to choose whether waste material is on inner or outer side of blade ⑥b
- ! **cutting width is determined by width of blade teeth and not by width of blade body**
- ! **always make trial cuts first to verify actual line of cut**
- Dust suction
  - connect vacuum cleaner to extension R ⑦
  - ! **never let the vacuum cleaner hose interfere with the lower guard or the cutting operation**
  - one may also use a dust bag (SKIL accessory 2610387402)
  - ! **do not use dustbag/vacuum cleaner when cutting metal**
- Operating the tool ⑦
  - connect plug to power source
  - always hold handle S firmly with one hand and handle T firmly with the other hand
  - place tool with front end of foot flat on workpiece
  - ! **ensure that the saw teeth are not engaged into the workpiece**
  - switch on tool by first pressing knob V (= safety switch which cannot be locked) and then pulling trigger W
  - ! **the tool should run at full speed before the blade enters into the workpiece**
  - lower guard F opens automatically when saw blade enters the workpiece (open lower guard manually by using lever G only for special cuts such as plunge cuts)
  - ! **do not force the tool** (apply light and continuous pressure in order to avoid overheating the blade tips and, in case of cutting plastics, melting the plastic material)
  - ! **while working, always hold the tool at the grey-coloured grip area(s)**
  - after completing the cut switch off tool by releasing trigger W
  - ! **ensure that the blade has come to a complete standstill, before you lift the tool from the workpiece**

## APPLICATION ADVICE

- When using guide-rail (SKIL accessory 2610204064) in combination with adapter, the depth of cut will be reduced with 14 mm for 90° as well as 45° cuts
- Always face the good side of the workpiece down to ensure minimum splintering
- Only use sharp saw blades of the correct type ⑧
  - quality of cut improves by the number of teeth
  - carbide tipped blades stay sharp up to 30 times longer than ordinary blades
- Parallel guide Y ⑨
  - for making exact cuts along a workpiece edge
  - can be inserted in either side of foot
- Adjusting parallel guide
  - loosen knob Z
  - adjust to desired cutting width by using parallel guide scale (use saw line visor Q as 0-reference)
  - tighten knob Z
- Plunge cutting ⑩
  - set desired cutting depth

- tilt tool forward with saw line visor Q lined up with desired line of cut marked on the workpiece
- open lower guard F with lever G
- just before blade enters workpiece, switch on tool and gradually lower back end of tool using front end of foot as hinge-point
- gradually move tool downward as well as forward
- as soon as blade enters the material, release lever G
- ! **never pull tool backwards**
- Cutting large panels ⑪
  - support panel close to the cut either on floor, table or workbench
  - ! **set cutting depth so that you cut through panel and not through support**
  - in case parallel guide does not allow desired width of cut, clamp or nail straight piece of wood to workpiece as a guide, and use the right side of the foot against this guide

## MAINTENANCE / SERVICE

- This tool is not intended for professional use
- Always keep tool and cord clean (especially the ventilation slots)
  - ! **disconnect the plug before cleaning**
- Always keep the area around lower guard F ③ clean (remove dust and chips by blowing out with compressed air or with a brush)
- Clean saw blade immediately after use (especially from resin and glue)
- If the tool should fail despite the care taken in manufacturing and testing procedures, repair should be carried out by an after-sales service centre for SKIL power tools
  - send the tool **undismantled** together with proof of purchase to your dealer or the nearest SKIL service station (addresses as well as the service diagram of the tool are listed on [www.skil.com](http://www.skil.com))

## ENVIRONMENT

- **Do not dispose of electric tools, accessories and packaging together with household waste material** (only for EU countries)
  - in observance of European Directive 2012/19/EC on waste of electric and electronic equipment and its implementation in accordance with national law, electric tools that have reached the end of their life must be collected separately and returned to an environmentally compatible recycling facility
  - symbol ⑫ will remind you of this when the need for disposing occurs

## DECLARATION OF CONFORMITY CE

### Circular saw 5665/5765

#### Technical data ①

- We declare under our sole responsibility that the product described under "Technical data" is in conformity with the following standards or standardization documents: EN 60745, EN 61000, EN 55014, in accordance with the provisions of the directives 2014/30/EU, 2006/42/EC, 2011/65/EU

- **Technical file at:** SKIL Europe BV (PT-SEU/ENG1), 4825 BD Breda, NL

Marijn van der Hoofden  
Operations & Engineering

Olaf Dijkgraaf  
Approval Manager




SKIL Europe BV, 4825 BD Breda, NL

16.10.2014

## NOISE/VIBRATION

- Measured in accordance with EN 60745 the sound pressure level of this tool is 97 dB(A) and the sound power level 108 dB(A) (standard deviation: 3 dB), and the vibration \* (triax vector sum; uncertainty K = 1.5 m/s<sup>2</sup>)
    - \* when cutting wood 2.6 m/s<sup>2</sup>
    - \* when cutting metal 2.2 m/s<sup>2</sup>
  - The vibration emission level has been measured in accordance with a standardised test given in EN 60745; it may be used to compare one tool with another and as a preliminary assessment of exposure to vibration when using the tool for the applications mentioned
    - using the tool for different applications, or with different or poorly maintained accessories, may significantly **increase** the exposure level
    - the times when the tool is switched off or when it is running but not actually doing the job, may significantly **reduce** the exposure level
- ! protect yourself against the effects of vibration by maintaining the tool and its accessories, keeping your hands warm, and organizing your work patterns**

F

## Scie circulaire

5665/5765

## INTRODUCTION

- Cet outil est conçu pour effectuer dans le bois des coupes droites longitudinales et transversales ainsi que des angles d'onglet jusqu'à 45°; muni de lames de scie correspondantes, il est capable de scier des matériaux non-ferreux, des matériaux de construction légers et des matières plastiques
- Cet outil n'est conçu pour un usage professionnel
- Lisez et conservez ce manuel d'instruction ②

## CARACTERISTIQUES TECHNIQUES ①

## SECURITE

### INSTRUCTIONS GENERALES DE SECURITE

**⚠ ATTENTION! Lisez tous les avertissements de sécurité et toutes les instructions.** Ne pas suivre les avertissements et instructions peut entraîner un choc électrique, un incendie et/ou de graves blessures sur les personnes. **Conservez tous les avertissements et**

**toutes les instructions pour pouvoir s'y reporter ultérieurement.** La notion d'"outil électroportatif" dans les avertissements se rapporte à des outils électriques raccordés au secteur (avec câble de raccordement) et à des outils électriques à batterie (sans câble de raccordement).

### 1) SECURITE DE LA ZONE DE TRAVAIL

- Maintenez l'endroit de travail propre et bien éclairé.**  
Un lieu de travail en désordre ou mal éclairé augmente le risque d'accidents.
- N'utilisez pas l'appareil dans un environnement présentant des risques d'explosion et où se trouvent des liquides, des gaz ou poussières inflammables.** Les outils électroportatifs génèrent des étincelles risquant d'enflammer les poussières ou les vapeurs.
- Tenez les enfants et autres personnes éloignés durant l'utilisation de l'outil électroportatif.** En cas d'inattention vous risquez de perdre le contrôle sur l'appareil.

### 2) SECURITE RELATIVE AU SYSTEME ELECTRIQUE

- La fiche de secteur de l'outil électroportatif doit être appropriée à la prise de courant. Ne modifiez en aucun cas la fiche. N'utilisez pas de fiches d'adaptateur avec des appareils avec mise à la terre.** Les fiches non modifiées et les prises de courant appropriées réduisent le risque de choc électrique.
  - Évitez le contact physique avec des surfaces mises à la terre telles que tuyaux, radiateurs, fours et réfrigérateurs.** Il y a un risque élevé de choc électrique au cas où votre corps serait relié à la terre.
  - N'exposez pas l'outil électroportatif à la pluie ou à l'humidité.** La pénétration d'eau dans un outil électroportatif augmente le risque d'un choc électrique.
  - N'utilisez pas le câble à d'autres fins que celles prévues, n'utilisez pas le câble pour porter l'appareil ou pour l'accrocher ou encore pour le débrancher de la prise de courant. Maintenez le câble éloigné des sources de chaleur, des parties grasses, des bords tranchants ou des parties de l'appareil en rotation.** Un câble endommagé ou torsadé augmente le risque d'un choc électrique.
  - Au cas où vous utiliseriez l'outil électroportatif à l'extérieur, utilisez une rallonge autorisée homologuée pour les applications extérieures.**  
L'utilisation d'une rallonge électrique homologuée pour les applications extérieures réduit le risque d'un choc électrique.
  - Si l'usage d'un outil dans un emplacement humide est inévitable, utilisez un disjoncteur de fuite à la terre.** L'utilisation d'un disjoncteur de fuite à la terre réduit le risque de choc électrique.
- ### 3) SECURITE DES PERSONNES
- Restez vigilant, surveillez ce que vous faites. Faites preuve de bon sens en utilisant l'outil électroportatif. N'utilisez pas l'appareil lorsque vous êtes fatigué ou après avoir consommé de l'alcool, des drogues ou avoir pris des médicaments.** Un moment d'inattention lors de l'utilisation de l'appareil peut entraîner de graves blessures sur les personnes.



- b) **Portez des équipements de protection. Portez toujours des lunettes de protection.** Le fait de porter des équipements de protection personnels tels que masque anti-poussières, chaussures de sécurité antidérapantes, casque de protection ou protection acoustique suivant le travail à effectuer, réduit le risque de blessures.
- c) **Évitez tout démarrage intempestif. S'assurez que l'interrupteur est en position arrêt avant de brancher l'outil au secteur et/ou au bloc de batteries, de le ramasser ou de le porter.** Porter les outils en ayant le doigt sur l'interrupteur ou brancher des outils dont l'interrupteur est en position marche est source d'accidents.
- d) **Enlevez tout outil de réglage ou toute clé avant de mettre l'appareil en fonctionnement.** Une clé ou un outil se trouvant sur une partie en rotation peut causer des blessures.
- e) **Ne surestimez pas vos capacités. Veillez à garder toujours une position stable et équilibrée.** Ceci vous permet de mieux contrôler l'appareil dans des situations inattendues.
- f) **Portez des vêtements appropriés. Ne portez pas de vêtements amples ni de bijoux. Maintenez cheveux, vêtements et gants éloignés des parties de l'appareil en rotation.** Des vêtements amples, des bijoux ou des cheveux longs peuvent être happés par des pièces en mouvement.
- g) **Si des dispositifs servant à aspirer ou à recueillir les poussières doivent être utilisés, vérifiez que ceux-ci soient effectivement raccordés et qu'ils sont correctement utilisés.** L'utilisation des collecteurs de poussière réduit les dangers dus aux poussières.
- 4) UTILISATION ET EMPLOI SOIGNEUX DE L'OUTIL ELECTROPORTATIF**
- a) **Ne surchargez pas l'appareil. Utilisez l'outil électroportatif approprié au travail à effectuer.** Avec l'outil électroportatif approprié, vous travaillerez mieux et avec plus de sécurité à la vitesse pour laquelle il est prévu.
- b) **N'utilisez pas un outil électroportatif dont l'interrupteur est défectueux.** Un outil électroportatif qui ne peut plus être mis en ou hors fonctionnement est dangereux et doit être réparé.
- c) **Débranchez la fiche de la source d'alimentation en courant et/ou le bloc de batteries de l'outil avant tout réglage, changement d'accessoires ou avant de ranger l'outil.** Cette mesure de précaution empêche une mise en fonctionnement par mégarde.
- d) **Gardez les outils électroportatifs non utilisés hors de portée des enfants. Ne permettez pas l'utilisation de l'appareil à des personnes qui ne se sont pas familiarisées avec celui-ci ou qui n'ont pas lu ces instructions.** Les outils électroportatifs sont dangereux lorsqu'ils sont utilisés par des personnes non initiées.
- e) **Prenez soin des outils électroportatifs. Vérifiez que les parties en mouvement fonctionnent correctement et qu'elles ne soient pas coincées, et contrôlez si des parties sont cassées ou endommagées de telle sorte que le bon fonctionnement de l'appareil s'en trouve entravé. Faites réparer les parties endommagées avant**

d'utiliser l'appareil. De nombreux accidents sont dus à des outils électroportatifs mal entretenus.

- f) **Maintenez les outils de coupe aiguisés et propres.** Des outils soigneusement entretenus avec des bords tranchants bien aiguisés se coincent moins souvent et peuvent être guidés plus facilement.
- g) **Utilisez les outils électroportatifs, les accessoires, les outils à monter etc. conformément à ces instructions. Tenez compte également des conditions de travail et du travail à effectuer.** L'utilisation des outils électroportatifs à d'autres fins que celles prévues peut entraîner des situations dangereuses.
- 5) SERVICE**
- a) **Ne faites réparer votre outil électroportatif que par un personnel qualifié et seulement avec des pièces de rechange d'origine.** Ceci permet d'assurer la sécurité de l'appareil.

## AVERTISSEMENTS DE SECURITE POUR SCIES CIRCULAIRES

### 1) PROCEDURES DE COUPE

- a) **⚠ DANGER : N'approchez pas les mains de la zone de coupe et de la lame. Gardez la deuxième main sur la poignée auxiliaire ou sur le boîtier du moteur.** Si les deux mains tiennent la scie, elles ne peuvent pas être coupées par la lame.
- b) **Ne placez pas la main sous la pièce.** Le protecteur ne protège pas de la lame sous la pièce.
- c) **Adaptez la profondeur de coupe à l'épaisseur de la pièce à travailler.** Il faut que moins d'un dent complet de la denture de lame soit visible au-dessous de la pièce à travailler.
- d) **Ne tenez jamais la pièce à travailler dans vos mains ou sur vos jambes. Assurez-vous que la pièce à travailler se trouve sur une plateforme stable.** Il est important que la pièce à travailler soit soutenue convenablement, afin de minimiser l'exposition du corps, le grippage de la lame, ou la perte de contrôle.
- e) **Tenir l'outil uniquement par les surfaces de préhension isolantes, pendant les opérations au contact desquelles l'accessoire coupant peut être en contact avec des conducteurs cachés ou avec son propre câble.** Le contact de l'accessoire coupant avec un fil "sous tension" peut également mettre "sous tension" les parties métalliques exposées de l'outil électrique et provoquer un choc électrique sur l'opérateur.
- f) **Lorsque vous sciez, utilisez toujours un guide parallèle.** Vous améliorerez la précision de la coupe et réduirez les risques d'adhésion de la lame.
- g) **Utilisez toujours des lames dont la taille et la forme (diamètre et rond) des alésages centraux sont convenables.** Les lames qui ne correspondent pas aux éléments de montage de la scie ne fonctionneront pas bien, provoquant une perte de contrôle.
- h) **N'utilisez jamais des rondelles ou des boulons de lame endommagés ou inadéquats.** Les rondelles et les boulons de lame sont conçus spécialement pour votre lame, pour une performance et une sécurité d'utilisation optimales.

## 2) CAUSES DU RECU ET MISES EN GARDE CORRESPONDANTS

- Le recul est une réaction soudaine à une lame pincée, qui adhère ou mal alignée, faisant se soulever la scie hors de la pièce, vers l'utilisateur
- Lorsque la lame est pincée ou qu'elle adhère étroitement avec la fermeture de la rainure, la lame se bloque et la réaction du moteur pousse rapidement l'outil vers l'arrière, c'est-à-dire vers l'utilisateur
- Si la lame se tord ou s'aligne mal dans la rainure, les dents du bord arrière de la lame peuvent s'enfoncer dans la surface supérieure du bois, faisant sortir la lame de la coupe et la faisant sauter vers l'utilisateur
- Le recul est dû à une mauvaise utilisation de l'outil et/ou à des procédures ou conditions d'utilisation incorrectes, qui peuvent être évitées en prenant les précautions indiquées ci-dessous

a) **Tenez fermement la scie des deux mains et placez vos bras de façon à pouvoir résister aux forces de recul arrière. Placez votre corps d'un côté ou de l'autre de la lame, mais pas dans l'alignement de la lame.** Un retour en arrière peut faire sauter la scie en arrière, mais les forces de recul arrière peuvent être contrôlées par l'opérateur en prenant quelques précautions.

b) **Lorsque la lame adhère, ou qu'elle cesse de couper pour quelque raison que ce soit, relâchez la gâchette et tenez la scie immobile dans la pièce, jusqu'à ce que la lame s'arrête complètement. N'essayez jamais d'enlever la scie de la pièce ou de tirer la scie vers l'arrière lorsque la lame est en mouvement, car vous entraîneriez un recul arrière.** Faites des essais et prenez les mesures nécessaires pour éliminer la cause de l'adhésion de la lame. Évitez de couper des clous et des vis.

c) **Lorsque vous remplacez la scie dans la pièce, centrez la lame de la scie dans la rainure, et vérifiez que les dents ne sont pas enfoncées dans la pièce.** Si la lame adhère, elle peut sortir ou reculer hors de la pièce lorsque la scie redémarre.

d) **Soutenez les grands panneaux pour réduire les risques de pincement ou de recul de la lame.** Les grands panneaux ont tendance à s'affaisser sous leur propre poids. Des supports doivent être placés dessous, des deux côtés, près de la ligne de coupe et du bord du panneau.

e) **N'utilisez pas de lame émoussée ou endommagée.** Les lames mal aiguisées ou fixées peuvent produire une rainure trop étroite et entraîner une friction excessive, l'adhésion de la lame ou un recul.

f) **Les leviers de réglage d'angle et de profondeur de la lame doivent être bien serrés avant de faire une coupe.** Si un réglage de lame change durant la coupe, il peut entraîner une adhésion et un recul.

g) **Soyez d'autant plus prudent lorsque vous découpez des parois existantes ou d'autres zones sans visibilité.** La lame saillante peut couper des objets qui peuvent entraîner un recul.

## 3) FONCTIONNEMENT DU PROTECTEUR INFÉRIEUR

a) **Vérifiez que le protecteur inférieur est correctement fermé avant utilisation. N'utilisez pas la scie si le protecteur inférieur ne se déplace pas librement et s'il ne se ferme pas instantanément. Ne**

**bloquez ni n'attachez jamais le protecteur inférieur en position ouverte.** Si vous laissez tomber la scie, le protecteur inférieur risque de se plier. Débranchez la fiche, levez le protecteur inférieur à l'aide de la poignée rétractable et veillez à ce qu'il se déplace librement et ne touche pas la lame ni aucune autre partie, à tous les angles et profondeurs de coupe.

b) **Vérifiez le fonctionnement du ressort du protecteur inférieur. Si le protecteur et le ressort ne fonctionnent pas correctement, ils doivent être réparés avant utilisation.** Le protecteur inférieur risque de fonctionner lentement en raison des parties abîmées, de dépôts collants ou d'accumulation de poussières.

c) **Le protecteur inférieur ne doit être rétracté manuellement que pour les coupes spéciales telles que les coupes plongeantes ou composées. Levez le protecteur inférieur en rétractant la poignée et, dès que la lame entre dans la pièce, relâchez-le.** Pour toutes les autres sortes de coupe, utilisez le protecteur inférieur en mode automatique.

d) **Veillez toujours à ce que le protecteur inférieur couvre la lame avant de poser la scie sur un établi ou sur le sol.** Une lame libre non protégée fera reculer la scie, qui coupera tout ce qui se trouve sur son chemin. Pensez au temps qu'il faut à la lame pour s'arrêter lorsque l'interrupteur est relâché.

## AVERTISSEMENTS DE SECURITE SUPPLEMENTAIRES

### GENERALITES

- Cet outil ne doit pas être utilisé par des personnes de moins de 16 ans
- Cet outil ne convient pas pour couper à mouillage
- **Débranchez toujours l'outil avant tout réglage ou changement d'accessoire**
- N'utilisez jamais d'outil avec un câble endommagé; faites-le remplacer par un technicien qualifié
- **Ne travaillez pas de matériaux contenant de l'amiante** (l'amiante est considérée comme étant cancérigène)
- La poussière de matériaux, tels que la peinture contenant du plomb, certaines espèces de bois, certains minéraux et différents métaux, peut être nocive (le contact avec la poussière ou son inhalation peut provoquer des réactions allergiques et/ou des maladies respiratoires chez l'opérateur ou des personnes se trouvant à proximité); **portez un masque antipoussières et travaillez avec un appareil de dépoussiérage lorsqu'il est possible d'en connecter un**
- Certains types de poussières sont classifiés comme étant cancérigènes (tels que la poussière de chêne ou de hêtre), en particulier en combinaison avec des additifs de traitement du bois; **portez un masque antipoussières et travaillez avec un appareil de dépoussiérage lorsqu'il est possible d'en connecter un**
- Suivez les directives nationales relatives au dépoussiérage pour les matériaux à travailler
- Utilisez toujours une table de sciage livrée avec un interrupteur de sécurité pour éviter tout redémarrage intempestif

- Utilisez toujours une table de sciage livrée avec un couteau diviseur

#### ACCESSOIRES

- SKIL ne peut se porter garant du bon fonctionnement de cet outil que s'il a été utilisé avec les accessoires d'origine
- La vitesse admissible des accessoires utilisées doit être au moins aussi élevée que la vitesse à vide maximale de l'outil
- **Utilisez uniquement des lames de scie d'un diamètre minimum de 170 mm, d'un diamètre maximum de 184 mm et dont l'alésage de broche est de 16 mm**
- Ne jamais utilisez de lame de scie faite en acier rapide (HSS)
- Ne jamais utilisez de disques de meulage/tronçonnage avec cet outil

#### AVANT L'USAGE

- Contrôlez toujours si la tension secteur correspond à la tension indiquée sur la plaquette signalétique de l'outil (les outils conçus pour une tension de 230V ou 240V peuvent également être branchés sur 220V)
- Faites attention aux vis, clous ou autres éléments qui pourraient se trouver dans la pièce à travailler et qui risqueraient d'endommager très fortement votre outil; enlevez-les avant de commencer le travail
- Enlevez tout corps étranger du tracé avant d'effectuer toute coupe
- **Fixez solidement la pièce à travailler** (une pièce fixée à l'aide de dispositifs de fixation est davantage assurée que si elle était tenue à la main)
- **Utilisez des détecteurs appropriés afin de localiser la présence de conduites électriques ou bien s'adresser à la société locale de distribution** (un contact avec des lignes électriques peut provoquer un incendie et une décharge électrique; le fait d'endommager une conduite de gaz peut entraîner une explosion; le fait d'endommager une conduite d'eau peut entraîner des dégâts matériels ou causer une décharge électrique)
- Utilisez un câble de prolongement complètement déroulé et de bonne qualité d'une capacité de 16 A

#### PENDANT L'USAGE

- Le niveau sonore en fonctionnement peut dépasser 85 dB(A); munissez-vous de casques anti-bruit
- Ne jamais utilisez votre outil sans le guide de sécurité d'origine
- Ne jamais tentez de couper de trop fines pièces
- Ne jamais travaillez au-dessus de l'outil
- En cas de blocage ou d'anomalie électrique ou mécanique, coupez immédiatement l'outil et débranchez la prise
- Si le câble est endommagé ou rompu pendant le travail, n'y touchez pas, mais débranchez immédiatement la prise

#### APRES L'USAGE

- Lorsque vous rangez votre outil, le moteur doit être coupé et les pièces mobiles complètement arrêtées
- Après avoir coupé la mise en marche de votre scie circulaire, ne jamais arrêtez la rotation de la lame de scie par une force latérale appliquée contre elle

## UTILISATION

- Montage de la lame de scie ③
  - ! **débranchez la fiche**
  - prenez la clé hexagonale A de son magasin B
  - appuyez sur le bouton C de blocage de l'arbre et le maintenez tandis que vous enlevez le boulon D de la lame avec la clé hexagonale
  - ! **appuyez sur le bouton C de blocage de l'arbre uniquement lorsque l'outil est complètement arrêté**
  - relâchez le bouton C de blocage de l'arbre
  - enlevez la bride E
  - ouvrez le carter inférieur F avec le levier G et le maintenez tandis que vous montez la lame, les dents de scie et la flèche imprimée à la lame pointée dans le même direction que la flèche située sur le carter supérieur
  - relâchez le carter inférieur F
  - montez la bride E
  - ! **assurez-vous que les surfaces de serrage H des brides soient parfaitement propres et en face de la lame**
  - appuyez sur le bouton C de blocage de l'arbre et le maintenez tandis que vous serrez le boulon de la lame avec la clé hexagonale d'un 1/8ème de tour en arrière (permet le débrayage de la lame en cas de trop forte résistance du matériau permettant ainsi de réduire la surcharge du moteur et l'effet de recul)
  - relâchez le bouton C de blocage de l'arbre
- Réglage de la profondeur de coupe (0-65 mm) ④
  - pour une qualité parfaite de coupe, la lame de scie ne doit jamais dépasser de plus de 3 mm la pièce à travailler
  - desserrez le bouton J
  - levez/abaissez la semelle K jusqu'à ce que la profondeur de coupe souhaitée soit atteinte grâce à l'indicateur L de l'échelle graduée
  - serrez le bouton J
- Réglage de l'angle de coupe (0-45°) ⑤
  - desserrez le bouton M
  - inclinez l'outil jusqu'à ce que l'angle de coupe souhaité soit atteint grâce à l'indicateur N de l'échelle graduée
  - serrez le bouton M
  - ! **lors de coupe d'angle, la profondeur de coupe ne correspond pas à la valeur donnée par l'échelle de la profondeur de coupe**
- Vérification de l'angle de coupe à 90° ⑥
  - réglez et serrez la semelle K jusqu'au maximum de la profondeur de coupe ④
  - réglez et serrez l'angle de coupe à 0°
  - vérifiez l'angle de 90° entre la lame et la table, avec une équerre
  - si un réglage est nécessaire, desserrez le bouton M et utilisez la vis de réglage P comme illustré
- Viseur réglable de trait de sciage Q ⑥a
  - pour guider l'outil le long du tracé souhaité
  - pour une coupe rectiligne de 0° ou une couple d'angle de 45°, utilisez l'indicateur correspondant
  - ! **la partie la plus large de la semelle doit rester sur la partie la plus large de la pièce**

- l'indicateur de la ligne de coupe peut être réglé de façon à pouvoir couper du côté interne ou externe de la lame ⑥b
- ! **seule l'épaisseur des dents de la lame détermine la largeur de coupe**
- ! **effectuez toujours un essai préalable afin de vérifier la ligne de coupe**
- Aspiration de poussières
  - montez l'aspirateur sur l'axe R ⑦
  - ! **ne laissez jamais le tuyau de l'aspirateur gêner le carter inférieur ou l'opération de coupe**
  - on peut aussi utiliser un sac à poussière (accessoire SKIL 2610387402)
  - ! **n'utilisez pas le sac à poussière/l'aspirateur quand vous coupez des métaux**
- Utilisation de l'outil ⑦
  - branchez l'outil sur le secteur
  - toujours tenez fermement la poignée S d'une main et la poignée T avec l'autre main
  - posez l'outil avec le devant de la semelle bien à plat sur la pièce à travailler
  - ! **assurez-vous que les dents de la lame n'entrent pas dans la pièce à travailler**
  - mettez en marche l'outil en appuyant d'abord sur le bouton V (= interrupteur de sécurité qu'on ne peut pas bloquer) et puis en poussant la gâchette W
  - ! **l'outil devra tourner à la vitesse maximum avant que la lame n'entre dans la pièce à travailler**
  - le carter inférieur F s'ouvre automatiquement quand la lame n'entre dans la pièce à travailler (ouvrez le carter inférieur manuellement en utilisant le levier G pour des coupes spéciales comme des coupes plongeantes)
  - ! **ne forcez pas l'outil** (effectuez une pression légère et constante afin d'éviter la surchauffe des bouts de lame et, si vous coupez du plastique, la fonte du matériel plastique)
  - ! **lorsque vous travaillez, tenez toujours l'outil par la(les) zone(s) de couleur grise**
  - une fois la coupe faite, arrêtez l'outil en relâchant la gâchette W
  - ! **avant de retirer l'outil de la pièce à travailler, s'assurez que la lame se soit bien stabilisée**

## CONSEILS D'UTILISATION

- Lors de l'utilisation d'un rail de guidage (accessoire SKIL 2610Z04064) associé à un adaptateur, la profondeur de coupe sera réduite de 14 mm pour des coupes à 90° ou 45°
- Toujours inversez la partie visible pour avoir un minimum d'éclat
- Utilisez seulement des lames de scie coupantes et appropriées ⑧
  - la qualité de coupe s'améliore avec le nombre de dents
  - lames avec denture à mise de carbure coupent 30 fois plus longtemps que des lames ordinaires
- Guide parallèle Y ⑨
  - pour effectuer des coupes de précision le long d'un bord d'une pièce à travailler
  - peut être monté de n'importe quel côté de la semelle
- Réglage du guide parallèle
  - desserrez le bouton Z

- réglez à la largeur de coupe souhaitée à l'aide de l'échelle du guide parallèle (utilisez le viseur de trait de sciage Q comme référence 0)
- serrez le bouton Z
- Coupes plongeantes ⑩
  - réglez la profondeur de coupe souhaitée
  - inclinez l'outil vers l'avant avec le viseur de trait de sciage Q aligné avec la ligne de coupe souhaitée marquée sur la pièce à travailler
  - ouvrez le carter inférieur F avec le levier G
  - juste avant que la lame ne pénètre dans la pièce à travailler, enclenchez l'interrupteur et pénétrez progressivement en prenant pour appui l'avant de la semelle
  - déplacez l'outil progressivement vers l'avant et vers le bas
  - dès que la lame entre dans la pièce, relâchez le levier G
  - ! **ne jamais tirez l'outil vers l'arrière**
- Coupe de larges panneaux ⑪
  - placez le panneau sur des cales soit au sol, sur un établi ou une table
  - ! **réglez la profondeur de coupe pour éviter de couper le support de travail**
  - dans le cas où le guide parallèle ne permettrait pas de régler la largeur de coupe, fixez une règle à la pièce à travailler pour servir de guide et utilisez le côté droit de la semelle contre ce guide

## ENTRETIEN / SERVICE APRES-VENTE

- Cet outil n'est pas conçu pour un usage professionnel
- Gardez toujours votre outil et le câble propres (spécialement les aérations)
  - ! **débranchez la fiche avant le nettoyage**
- Gardez toujours la zone autour du carter inférieur F ③ propre (enlevez la poussière et les copeaux en les nettoyant à l'air comprimé ou avec une brosse)
- Toujours nettoyez la lame de scie après toute utilisation (tout particulièrement dans le cas d'utilisation de résine)
- Si, malgré tous les soins apportés à la fabrication et au contrôle de l'outil, celui-ci devait avoir un défaut, la réparation ne doit être confiée qu'à une station de service après-vente agréée pour outillage SKIL
  - retournez l'outil **non démonté** avec votre preuve d'achat au revendeur ou au centre de service après-vente SKIL le plus proche (les adresses ainsi que la vue éclatée de l'outil figurent sur [www.skil.com](http://www.skil.com))

## ENVIRONNEMENT

- **Ne jetez pas les outils électriques, les accessoires et l'emballage dans les ordures ménagères** (pour les pays européens uniquement)
  - conformément à la directive européenne 2012/19/EG relative aux déchets d'équipements électriques ou électroniques, et à sa transposition dans la législation nationale, les outils électriques usés doivent être collectés séparément et faire l'objet d'un recyclage respectueux de l'environnement
  - le symbole ⑫ vous le rappellera au moment de la mise au rebut de l'outil

# DECLARATION DE CONFORMITE CE

Scie circulaire 5665/5765

Caractéristiques techniques ①

- Nous déclarons sous notre propre responsabilité que le produit décrit sous "Caractéristiques techniques" est en conformité avec les normes ou documents normatifs suivants: EN 60745, EN 61000, EN 55014, conformément aux termes des réglementations en vigueur 2014/30/UE, 2006/42/CE, 2011/65/UE
- **Dossier technique auprès de:** SKIL Europe BV (PT-SEU/ENG1), 4825 BD Breda, NL

Marijn van der Hoofden  
Operations & Engineering

Olaf Dijkgraaf  
Approval Manager

SKIL Europe BV, 4825 BD Breda, NL

16.10.2014

## BRUIT/VIBRATION

- Mesuré selon EN 60745 le niveau de la pression sonore de cet outil est 97 dB(A) et le niveau de la puissance sonore 108 dB(A) (déviations standard: 3 dB), et la vibration \* (somme vectorielle des trois axes directionnels; incertitude K = 1,5 m/s<sup>2</sup>)
    - \* pendant le coupage du bois 2,6 m/s<sup>2</sup>
    - \* pendant le coupage du métal 2,2 m/s<sup>2</sup>
  - Le niveau de vibrations émises a été mesuré conformément à l'essai normalisé de la norme EN 60745; il peut être utilisé pour comparer plusieurs outils et pour réaliser une évaluation préliminaire de l'exposition aux vibrations lors de l'utilisation de l'outil pour les applications mentionnées
    - l'utilisation de l'outil dans d'autres applications, ou avec des accessoires différents ou mal entretenus, peut considérablement **augmenter** le niveau d'exposition
    - la mise hors tension de l'outil et sa non-utilisation pendant qu'il est allumé peuvent considérablement **réduire** le niveau d'exposition
- ! protégez-vous contre les effets des vibrations par un entretien correct de l'outil et de ses accessoires, en gardant vos mains chaudes et en structurant vos schémas de travail**

D

Handkreissäge

5665/5765

## EINLEITUNG

- Dieses Werkzeug ist bestimmt zum Sägen von Längs- und Querschnitten in Holz mit geradem Schnittverlauf und Gehrungswinkel bis 45°; mit entsprechenden Sägeblättern können auch Nichteisenmetalle, Leichtbaustoffe und Kunststoffe gesägt werden
- Dieses Werkzeug eignet sich nicht für den professionellen Einsatz

- Bitte diese Bedienungsanleitung sorgfältig lesen und aufbewahren ②

## TECHNISCHE DATEN ①

### SICHERHEIT

#### ALLGEMEINE SICHERHEITSHINWEISE

**⚠ ACHTUNG! Lesen Sie alle Sicherheitshinweise und Anweisungen.** Versäumnisse bei der Einhaltung der Sicherheitshinweise und Anweisungen können elektrischen Schlag, Brand und/oder schwere Verletzungen verursachen. **Bewahren Sie alle Sicherheitshinweise und Anweisungen für die Zukunft auf.** Der in den Sicherheitshinweisen verwendete Begriff "Elektrowerkzeug" bezieht sich auf netzbetriebene Elektrowerkzeuge (mit Netzkabel) und auf akkubetriebene Elektrowerkzeuge (ohne Netzkabel).

#### 1) ARBEITSPLATZSICHERHEIT

- Halten Sie Ihren Arbeitsbereich sauber und gut beleuchtet.** Unordnung oder unbeleuchtete Arbeitsbereiche können zu Unfällen führen.
- Arbeiten Sie mit dem Gerät nicht in explosionsgefährdeter Umgebung, in der sich brennbare Flüssigkeiten, Gase oder Stäube befinden.** Elektrowerkzeuge erzeugen Funken, die den Staub oder die Dämpfe entzünden können.
- Halten Sie Kinder und andere Personen während der Benutzung des Elektrowerkzeugs fern.** Bei Ablenkung können Sie die Kontrolle über das Gerät verlieren.

#### 2) ELEKTRISCHE SICHERHEIT

- Der Anschlussstecker des Gerätes muss in die Steckdose passen. Der Stecker darf in keiner Weise verändert werden. Verwenden Sie keine Adapterstecker gemeinsam mit schutzgeerdeten Geräten.** Unveränderte Stecker und passende Steckdosen verringern das Risiko eines elektrischen Schlages.
- Vermeiden Sie Körperkontakt mit geerdeten Oberflächen, wie von Rohren, Heizungen, Herden und Kühlschränken.** Es besteht ein erhöhtes Risiko durch elektrischen Schlag, wenn Ihr Körper geerdet ist.
- Halten Sie das Gerät von Regen oder Nässe fern.** Das Eindringen von Wasser in ein Elektrogerät erhöht das Risiko eines elektrischen Schlages.
- Zweckentfremden Sie das Kabel nicht, um das Gerät zu tragen, aufzuhängen oder um den Stecker aus der Steckdose zu ziehen. Halten Sie das Kabel fern von Hitze, Öl, scharfen Kanten oder sich bewegenden Geräteteilen.** Beschädigte oder verwickelte Kabel erhöhen das Risiko eines elektrischen Schlages.
- Wenn Sie mit einem Elektrowerkzeug im Freien arbeiten, verwenden Sie nur Verlängerungskabel, die auch für den Außenbereich zugelassen sind.** Die Anwendung eines für den Außenbereich geeigneten Verlängerungskabels verringert das Risiko eines elektrischen Schlages.

- f) **Wenn der Betrieb des Elektrowerkzeuges in feuchter Umgebung nicht vermeidbar ist, verwenden Sie einen Fehlerstromschutzschalter.** Der Einsatz eines Fehlerstromschutzschalters vermindert das Risiko eines elektrischen Schlages.

### 3) SICHERHEIT VON PERSONEN

- a) **Seien Sie aufmerksam, achten Sie darauf, was Sie tun, und gehen Sie mit Vernunft an die Arbeit mit einem Elektrowerkzeug. Benutzen Sie das Gerät nicht, wenn Sie müde sind oder unter dem Einfluss von Drogen, Alkohol oder Medikamenten stehen.** Ein Moment der Unachtsamkeit beim Gebrauch des Gerätes kann zu ernsthaften Verletzungen führen.
- b) **Tragen Sie persönliche Schutzausrüstung und immer eine Schutzbrille.** Das Tragen persönlicher Schutzausrüstung, wie Staubmaske, rutschfeste Sicherheitsschuhe, Schutzhelm oder Gehörschutz, je nach Art und Einsatz des Elektrowerkzeuges, verringert das Risiko von Verletzungen.
- c) **Vermeiden Sie eine unbeabsichtigte Inbetriebnahme. Vergewissern Sie sich, dass das Elektrowerkzeug ausgeschaltet ist, bevor Sie es an die Stromversorgung und/oder den Akku anschließen, es aufnehmen oder tragen.** Wenn Sie beim Tragen des Elektrowerkzeuges den Finger am Schalter haben oder das Gerät eingeschaltet an die Stromversorgung anschließen, kann dies zu Unfällen führen.
- d) **Entfernen Sie Einstellwerkzeuge oder Schraubenschlüssel, bevor Sie das Gerät einschalten.** Ein Werkzeug oder Schlüssel, der sich in einem drehenden Geräteteil befindet, kann zu Verletzungen führen.
- e) **Überschätzen Sie sich nicht. Sorgen Sie für einen sicheren Stand und halten Sie jederzeit das Gleichgewicht.** Dadurch können Sie das Gerät in unerwarteten Situationen besser kontrollieren.
- f) **Tragen Sie geeignete Kleidung. Tragen Sie keine weite Kleidung oder Schmuck. Halten Sie Haare, Kleidung und Handschuhe fern von sich bewegenden Teilen.** Lockere Kleidung, Schmuck oder lange Haare können von sich bewegenden Teilen erfasst werden.
- g) **Wenn Staubabsaug- und -auffangeinrichtungen montiert werden können, vergewissern Sie sich, dass diese angeschlossen sind und richtig verwendet werden.** Verwendung einer Staubabsaugung verringert Gefährdungen durch Staub.
- ### 4) SORGFÄLTIGER UMGANG UND GEBRAUCH VON ELEKTROWERKZEUGEN
- a) **Überlasten Sie das Gerät nicht. Verwenden Sie für Ihre Arbeit das dafür bestimmte Elektrowerkzeug.** Mit dem passenden Elektrowerkzeug arbeiten Sie besser und sicherer im angegebenen Leistungsbereich.
- b) **Benutzen Sie kein Elektrowerkzeug, dessen Schalter defekt ist.** Ein Elektrowerkzeug, das sich nicht mehr ein- oder ausschalten lässt, ist gefährlich und muss repariert werden.
- c) **Ziehen Sie den Stecker aus der Steckdose und/oder entfernen Sie den Akku, bevor Sie Geräteeinstellungen vornehmen, Zubehörteile wechseln oder das Gerät weglegen.** Diese

Vorsichtsmaßnahme verhindert den unbeabsichtigten Start des Geräts.

- d) **Bewahren Sie unbenutzte Elektrowerkzeuge außerhalb der Reichweite von Kindern auf. Lassen Sie Personen das Gerät nicht benutzen, die mit diesem nicht vertraut sind oder diese Anweisungen nicht gelesen haben.** Elektrowerkzeuge sind gefährlich, wenn Sie von unerfahrenen Personen benutzt werden.
- e) **Pflegen Sie das Gerät mit Sorgfalt. Kontrollieren Sie, ob bewegliche Geräteteile einwandfrei funktionieren und nicht klemmen, ob Teile gebrochen oder so beschädigt sind, dass die Funktion des Gerätes beeinträchtigt ist. Lassen Sie beschädigte Teile vor dem Einsatz des Geräts reparieren.** Viele Unfälle haben ihre Ursache in schlecht gewarteten Elektrowerkzeugen.
- f) **Halten Sie Schneidwerkzeuge scharf und sauber.** Sorgfältig gepflegte Schneidwerkzeuge mit scharfen Schneidkanten verklemmen sich weniger und sind leichter zu führen.
- g) **Verwenden Sie Elektrowerkzeug, Zubehör, Einsatzwerkzeuge usw. entsprechend diesen Anweisungen. Berücksichtigen Sie dabei die Arbeitsbedingungen und die auszuführende Tätigkeit.** Der Gebrauch von Elektrowerkzeugen für andere als die vorgesehenen Anwendungen kann zu gefährlichen Situationen führen.
- ### 5) SERVICE
- a) **Lassen Sie Ihr Gerät nur von qualifiziertem Fachpersonal und nur mit Original-Ersatzteilen reparieren.** Damit wird sichergestellt, dass die Sicherheit des Geräts erhalten bleibt.

### SICHERHEITSHINWEISE FÜR KREISSÄGEN

#### 1) SÄGEVERFAHREN

- a) **⚠ GEFAHR : Kommen Sie mit Ihren Händen nicht in den Sägebereich und an das Sägeblatt. Halten Sie mit Ihrer zweiten Hand den Zusatzgriff oder das Motorgehäuse.** Wenn beide Hände die Säge halten, können diese vom Sägeblatt nicht verletzt werden.
- b) **Nicht unter das Werkstück reichen.** Die Schutzhaube kann Sie nicht vor dem Sägeblatt unter dem Werkstück schützen.
- c) **Schnitttiefe der Werkstückdicke anpassen.** Unter dem Werkstück muss etwas weniger als ein kompletter Zahn der Blattzähne sichtbar sein.
- d) **Halten Sie das zu sägende Werkstück niemals in der Hand oder über dem Bein fest. Sichern Sie das Werkstück an einer stabilen Aufnahme.** Es ist wichtig, das Werkstück gut zu befestigen, um die Gefahr von Körperkontakt, Klemmen des Sägeblattes oder Verlust der Kontrolle zu minimieren.
- e) **Fassen Sie das Elektrowerkzeug nur an den isolierten Griffflächen an, wenn Sie Arbeiten ausführen, bei denen das Einsatzwerkzeug verborgene Stromleitungen oder das eigene Netzkabel treffen kann.** Kontakt mit einer spannungsführenden Leitung setzt auch Metallteile des Elektrowerkzeuges unter Spannung und führt zu einem elektrischen Schlag.
- f) **Beim Längssägen stets einen Seitenanschlag oder eine gerade Schnittführung benutzen.** Dadurch wird

- die Schnittgenauigkeit verbessert und Verkleben des Sägeblatts weniger wahrscheinlich gemacht.
- g) **Verwenden Sie immer Sägeblätter in der richtigen Größe und mit passender Aufnahmebohrung (z. B. sternförmig oder rund).** Sägeblätter, die nicht zu den Montageteilen der Säge passen, laufen unrund und führen zum Verlust der Kontrolle.
- h) **Niemals beschädigte oder ungeeignete Sägeblattunterlegscheiben oder -bolzen benutzen.** Sägeblattunterlegscheiben und -bolzen wurden eigens für Ihre Säge konstruiert, um optimale Leistung und sicheren Betrieb zu gewährleisten.
- 2) RÜCKSCHLAG - URSACHEN UND ENTSPRECHENDE WARNHINWEISE**
- Rückschlag ist eine plötzliche Reaktion auf ein eingezwängtes, verklebtes oder falsch ausgerichtetes Sägeblatt, wodurch eine Säge unkontrolliert aus dem Werkstück heraus – zum Bediener hin – angehoben wird
  - Wenn das Sägeblatt eingezwängt ist oder vom nach unten schließenden Sägeschlitz stark eingeklemmt wird, kommt das Sägeblatt zum Stillstand und wird das Gerät durch den laufenden Motor rasch zum Bediener hin zurück gezwungen
  - Wenn das Sägeblatt sich beim Schneiden verdreht oder falsch ausgerichtet wird, können sich die Zähne an der Hinterkante des Sägeblatts in der Holzoberfläche festfressen mit der Folge, dass sich das Sägeblatt aus dem Sägeschlitz heraushebt und – zum Bediener hin – rückwärts springt
  - Rückschlag ist das Ergebnis von Werkzeugmissbrauch und/oder unsachgemäßen Bedienverfahren bzw. Einsatzbedingungen und kann durch Ergreifung entsprechender Maßnahmen (siehe unten) vermieden werden
- a) **Die Säge stets mit beiden Händen fest im Griff haben und Ihre Arme so positionieren, dass Sie Rückschlagkräften entgegenwirken können. Ihren Körper seitlich vom Sägeblatt positionieren, niemals in einer Linie mit dem Sägeblatt.** Durch Rückschlag könnte die Säge rückwärts springen, aber Rückschlagkräfte können vom Bediener kontrolliert werden, wenn entsprechende Vorkehrungen getroffen werden.
- b) **Wenn das Sägeblatt klemmt, oder wenn ein Schnitt aus irgendeinem Grund unterbrochen wird, den Schalter loslassen und die Säge bewegungslos im Material halten, bis das Sägeblatt völlig zum Stillstand kommt. Niemals versuchen, die Säge aus dem Werkstück zu entfernen oder die Säge rückwärts zu ziehen, während das Sägeblatt in Bewegung ist, ansonsten kann es zu Rückschlag kommen.** Dies untersuchen und Abhilfemaßnahmen ergreifen, um die Ursachen für das klemmende Sägeblatt zu beseitigen. Das Schneiden von Nägeln oder Schrauben vermeiden.
- c) **Beim erneuten Anlauf einer Säge im Werkstück das Sägeblatt im Sägeschlitz zentrieren und nachprüfen, dass die Sägezähne nicht mit dem Material im Eingriff stehen.** Wenn das Sägeblatt klemmt, kann es nach oben wandern oder kann es zu Rückschlag vom Werkstück kommen, wenn die Säge wieder anläuft.
- d) **Große Platten abstützen, um das drohende Klemmen bzw. Rückschlagen des Sägeblatts zu minimieren.** Große Platten neigen zum Durchbiegen unter ihrem eigenen Gewicht. Die Platte muss auf beiden Seiten unten abgestützt werden, d.h. nahe an der Schnittlinie und nahe am Plattenrand.
- e) **Kein stumpfes oder beschädigtes Sägeblatt benutzen.** Ungeschärfte oder falsch geschränkte Sägeblätter erzeugen schmale Sägeschlitzte; die Folge sind übertriebene Reibung, Sägeblattklemmen und Rückschlag.
- f) **Sägeblatttiefe und Gehrungen einstellende Sicherungshebel müssen vor dem Schneiden fest und sicher sitzen.** Wenn sich die Sägeblatteinstellung beim Schneiden ändert, kann dies zu Klemmen und Rückschlag führen.
- g) **Seien Sie besonders vorsichtig beim Sägen in bestehende Wände oder andere nicht einsehbare Bereiche.** Das eintauchende Sägeblatt kann beim Sägen in verborgene Objekte blockieren und einen Rückschlag verursachen.
- 3) FUNKTION DER UNTEREN SCHUTZHAUBE**
- a) **Untere Schutzhaube jedes Mal vor Gebrauch auf vorschriftsmäßiges Schließen prüfen. Die Säge nicht benutzen, wenn sich die untere Schutzhaube nicht frei bewegt und sofort schließt. Die untere Schutzhaube niemals durch Festklemmen oder -binden in die offene Position zwingen.** Wenn die Säge versehentlich fallen gelassen wird, kann die untere Schutzhaube dadurch verbogen werden. Netzstecker ziehen, die untere Schutzhaube mit dem Einziehhgriff anheben und sicherstellen, dass er sich frei bewegt und nicht das Sägeblatt oder irgendein anderes Teil –bei sämtlichen Winkeln und Schnitttiefen– berührt.
- b) **Die Funktion der unteren Schutzhaubefeder prüfen. Wenn die Schutzhaube und die Feder nicht vorschriftsmäßig funktionieren, müssen sie vor Gebrauch gewartet werden.** Die untere Schutzhaube könnte aufgrund von beschädigten Teilen, klebrigen Ablagerungen oder einer Schmutzansammlung schwergängig sein.
- c) **Die untere Schutzhaube sollte nur bei Sonderschnitten wie z.B. Einsetzschnitten und komplexen Schnitten manuell eingezogen werden.** Die untere Schutzhaube durch Einziehen des Griffs anheben, und sobald das Sägeblatt in das Werkstück eindringt, muss die untere Schutzhaube losgelassen werden. Bei allen anderen Sägearbeiten sollte die untere Schutzhaube automatisch arbeiten.
- d) **Stets darauf achten, dass die untere Schutzhaube das Sägeblatt umschließt, bevor die Säge auf einer Werkbank oder dem Boden abgelegt wird.** Ein ungeschütztes, auslaufendes Sägeblatt bewirkt, dass die Säge rückwärts wandert und schneidet, was ihr im Weg steht. Bedenken, dass das Anhalten des Sägeblatts nach Loslassen des Schalters etwas Zeit in Anspruch nimmt.
- ZUSÄTZLICHE SICHERHEITSHINWEISE**
- ALLGEMEINES**
- Der Benutzer dieses Werkzeuges sollte älter als 16 Jahre sein
  - Dieses Werkzeug ist für Naßschnitte nicht geeignet

- **Ziehen Sie grundsätzlich den Netzstecker, bevor Sie beliebige Änderungen an den Einstellungen oder einen Zubehöerwechsel vornehmen**
- Werkzeuge nicht weiter verwenden, wenn das Kabel beschädigt ist; lassen Sie dieses von einem anerkannten Elektrofachmann ersetzen
- **Bearbeiten Sie kein asbesthaltiges Material** (Asbest gilt als krebserregend)
- Staub von Materialien wie Farbe, die Blei enthält, einigen Holzarten, Mineralien und Metall kann schädlich sein (Kontakt mit oder Einatmen des Staubs kann zu allergischen Reaktionen und/oder Atemwegskrankheiten beim Bediener oder Umstehenden führen); **tragen Sie eine Staubmaske und arbeiten Sie mit einem Staubabsaugungssystem, wenn ein solches angeschlossen werden kann**
- Bestimmte Arten von Staub sind als karzinogen klassifiziert (beispielsweise Eichen- und Buchenholzstaub), insbesondere in Verbindung mit Zusätzen für die Holzvorbehandlung; **tragen Sie eine Staubmaske und arbeiten Sie mit einem Staubabsaugungssystem, wenn ein solches angeschlossen werden kann**
- Beachten Sie die für Ihr verwendetes Verbrauchsmaterial gültigen nationalen Staubschutzvorgaben
- Ausschließlich ein Sägeetischgestell verwenden mit integriertem Schalter, der einen Motorneuanlauf nach einer Stromunterbrechung verhindert
- Ausschließlich ein Sägeetischgestell verwenden mit integriertem Spaltkeil

#### ZUBEHÖR

- SKIL kann nur dann die einwandfreie Funktion des Werkzeuges zusichern, wenn Original-Zubehör verwendet wird
- Nur Zubehör verwenden, dessen zulässige Drehzahl mindestens so hoch ist wie die höchste Leerlaufdrehzahl des Werkzeuges
- **Verwenden Sie nur Sägeblätter mit einem Mindestdurchmesser von 170 mm, einem Maximaldurchmesser von 184 mm und einem Spindelochdurchmesser von 16 mm**
- Die Benutzung von Sägeblättern aus hochlegiertem Schnell- arbeitsstahl (HSS) ist nicht zulässig
- Niemals Schleif-/Trennscheiben mit diesem Werkzeug verwenden

#### VOR DER ANWENDUNG

- Stets nachprüfen, daß die Netzspannung mit der auf dem Typenschild des Werkzeuges angegebenen Spannung übereinstimmt (mit 230V oder 240V beschriftete Werkzeuge können auch an 220V betrieben werden)
- Beschädigungen durch Schrauben, Nägel und ähnliches an Ihrem Werkstück vermeiden; diese vor Arbeitsbeginn entfernen
- Bevor Sie mit dem Schnitt beginnen, alle Hindernisse von der Ober- wie auch von der Unterfläche entfernen, die auf der Schnittstrecke liegen
- **Sichern Sie das Werkstück** (ein mit Spannvorrichtungen oder Schraubstock festgehaltenes Werkstück ist sicherer gehalten als mit der Hand)
- **Verwenden Sie geeignete Suchgeräte, um verborgene Versorgungsleitungen aufzuspüren, oder ziehen Sie die örtliche**

**Versorgungsgesellschaft hinzu** (Kontakt mit Elektroleitungen kann zu Feuer und elektrischem Schlag führen; Beschädigung einer Gasleitung kann zur Explosion führen; Eindringen in eine Wasserleitung verursacht Sachbeschädigung oder kann einen elektrischen Schlag verursachen)

- Bei Benutzung von Verlängerungskabeln ist darauf zu achten, daß das Kabel vollständig abgerollt ist und eine Kapazität von 16 A hat

#### WÄHREND DER ANWENDUNG

- Der Geräuschpegel beim Arbeiten kann 85 dB(A) überschreiten; Gehörschutz tragen
- Das Werkzeug niemals ohne das Original-Schutz benutzen
- Nicht versuchen sehr kleine Werkstücke zu sägen
- Mit dem Werkzeug nicht über dem Kopf arbeiten
- Im Falle von Blockieren, atypischem Verhalten oder Fremdgeräuschen, das Werkzeug sofort abschalten und den Netzstecker ziehen
- Wird bei der Arbeit das Kabel beschädigt oder durchtrennt, Kabel nicht berühren, sondern sofort den Netzstecker ziehen

#### NACH DER ANWENDUNG

- Sobald Sie sich von Ihrem Werkzeug entfernen, sollte dieses ausgeschaltet werden und die sich bewegenden Teile vollkommen zum Stillstand gekommen sein
- Sägeblätter nach dem Ausschalten des Werkzeuges nicht durch seitliches Gegendrücken bremsen

#### BEDIENUNG

- Montieren des Sägeblatts ③
  - ! **Netzstecker ziehen**
  - Sechskantschlüssel A aus Halterung B nehmen
  - Spindelarretierungsknopf C drücken und halten, während Sie Sägeblattbolzen D mit dem Sechskantschlüssel entfernen
  - ! **Spindelarretierungsknopf C nur bei stillstehendem Werkzeug drücken**
  - Spindelarretierungsknopf C loslassen
  - Flansch E entfernen
  - unteren Blattschutz F mit Hebel G öffnen und halten, während Sie das Sägeblatt montieren, wobei Sägezähne und auf das Sägeblatt aufgedruckter Pfeil in dieselbe Richtung wie der Pfeil auf dem oberen Blattschutz zeigen
  - unteren Blattschutz F loslassen
  - Flansch E montieren
  - ! **Sicherstellen, daß Spannflächen H von Flanschen völlig sauber sind und dem Sägeblatt gegenüber gerichtet sind**
  - Spindelarretierungsknopf C drücken und halten, während der Sägeblattbolzen mit dem Sechskantschlüssel angezogen wird, und zwar 1/8 Drehung an fingerfest vorbei (gewährleistet Rutschen des Sägeblatts, wenn es auf übertriebenen Widerstand trifft, wodurch Motorüberlastung und Rückschlag der Säge reduziert werden)
  - Spindelarretierungsknopf C loslassen
- Schnittiefeinstellung (0-65 mm) ④
  - für eine optimale Schnittgüte sollte das Sägeblatt nicht mehr als 3 mm unter dem Werkstück überstehen
  - Knopf J lösen



- Fuß K anheben/absenken bis gewünschte Schnitttiefe auf Winkelgradierung anhand des Zeigers L erreicht ist
- Knopf J wieder anziehen
- Schnittwinkeleinstellung (0-45°) ⑤
  - Knopf M lösen
  - Werkzeug kippen bis gewünschte Schnittwinkel auf Winkelgradierung anhand des Zeigers N erreicht ist
  - Knopf M wieder anziehen
  - ! **bei einem Gehrungsschnitt entspricht die auf der Tiefengradierung angezeigte Schnitttiefe nicht der effektiven Schnitttiefe**
- 90°-Schnittwinkelprüfung ⑤
  - Fuß K auf Maximalschnitttiefe einstellen und anziehen ④
  - Schnittwinkel auf 0° einstellen und anziehen
  - prüfen Sie den 90°-Winkel zwischen Sägeblatt und Fußunterseite mit einem Winkelmaß
  - wenn eine Nachstellung erforderlich ist, Knopf M lösen und Einstellschraube P wie abgebildet verwenden
- Einstellbares Schnittlinie-Sichtfenster Q ⑥a
  - für die präzise Führung des Werkzeuges die auf dem Werkstück gezogenen Schnittlinie entlang
  - für einen geraden 0°-Schnitt oder einen 45°-Gehrungsschnitt die entsprechenden Zeigerlinie verwenden
  - ! **der größere Teil des Fußes sollte auf dem aufgestützten Teil des Werkstücks aufliegen**
  - kann eingestellt werden, damit Sie sich aussuchen können, ob Abfallmaterial auf der Innen- oder Außenseite des Blatts ist ⑥b
  - ! **die Schnittbreite wird durch die Sägezahnbreite und nicht durch die Sägeblattdicke festgelegt immer zuerst einen Probesschnitt ausführen, um die effektive Schnittlinie zu überprüfen**
- Staubabsaugung
  - Saugschlauch auf Adapter R ⑦ stecken
  - ! **achten Sie darauf, daß der Staubsaugerschlauch die Öffnung des unteren Blattschutzes oder die Schnittarbeit niemals hemmt**
  - man kann auch einen Staubsaugbeutel (SKIL Zubehör 2610387402)
  - ! **Staubbeutel/Staubsauger nicht verwenden beim Sägen von Metall**
- Bedienung des Werkzeuges ⑦
  - Netzstecker an der Steckdose anschließen
  - immer mit einer Hand Griff S und mit der anderen Hand Griff T festhalten
  - Werkzeug mit der Fußvorderseite flach auf dem Werkstück positionieren
  - ! **stellen Sie sicher, daß die Sägeblattzähne nicht im Werkstück verkeilt sind**
  - das Werkzeug einschalten, indem Sie zuerst Knopf V (= Sicherheitsschalter den man nicht festsetzen kann) drücken und dann Schalter W betätigen
  - ! **die Säge muß erst die Höchstgeschwindigkeit erreichen bevor das Sägeblatt in das Werkstück eingeführt wird**
  - der untere Blattschutz F öffnet selbsttätig, wenn das Sägeblatt in das Werkstück eingeführt wird (den unteren Blattschutz nur für spezielle Schnitte wie Einsetzschnitte manuell öffnen; hierzu Hebel G benutzen)

- ! **drücken Sie nicht übermäßig auf das Werkzeug** (wenden Sie einen leichten und gleichmäßigen Druck an, um die Blattspitzen nicht zu überhitzen und beim Sägen von Kunststoff ein Schmelzen des Kunststoffmaterials zu vermeiden)
- ! **Werkzeug beim Arbeiten immer am grauen Griffbereich fassen**
- nach Abschluß des Schnittes das Werkzeug durch Lösen von Schalter W ausschalten
- ! **stellen Sie sicher, daß das Blatt vollkommen zum Stillstand gekommen ist, bevor Sie das Werkzeug vom Werkstück entfernen**

## ANWENDUNGSHINWEISE

- Bei der Verwendung der Führungsschiene (SKIL Zubehör 2610Z04064) mit dem Adapter reduziert sich die Schnitttiefe bei 90°- und 45°-Schnitten um 14 mm
  - Die Gutseite des Werkstücks grundsätzlich nach unten zeigend auflegen, um somit Abspalterungen auf ein Mindestmaß zu begrenzen
  - Nur scharfe Sägeblätter vom richtigen Typ ⑧ benutzen
    - die Qualität des Schnittes erhöht sich mit der Anzahl der Zähne
    - Hartmetallbestückte Sägeblätter haben eine bis zu 30 Mal längere Lebensdauer als konventionelle Sägeblätter
  - Seitenanschlag Y ⑨
    - für exakte Parallelschnitte zur Werkstückkante
    - kann beiderseitig in den Fuß eingesetzt werden
- Einstellung Seitenanschlag
- Knopf Z lösen
  - auf gewünschte Schnittbreite einstellen mit Seitenanschlagskala (Sichtfenster Q als 0-Referenz verwenden)
  - Knopf Z wieder anziehen
- Einsetzschnitt ⑩
    - gewünschte Schnitttiefe einstellen
    - das Werkzeug mit Sichtfenster Q nach vorn kippen in einer Reihe mit gewünschter Schnittlinie, die auf dem Werkstück markiert ist
    - unteren Blattschutz F öffnen mit Hebel G
    - kurz vor dem Eintauchen des Sägeblatts in das Werkstück das Werkzeug einschalten, und den rückwärtigen Werkzeuggesteile, unter Verwendung der vorderen Fußkante als Auflagepunkt, langsam absenken
    - das Werkzeug langsam nach unten absenken und gleichzeitig nach vorne schieben
    - sobald das Sägeblatt in das Werkstück eindringt, Hebel G lösen
    - ! **das Werkzeug grundsätzlich nicht rückwärts führen**
  - Zuschnitt großer Platten bzw. Tafeln ⑪
    - die Platte nahe der Schnittlinie entweder am Boden, auf einem Tisch oder einer Werkbank stützen
    - ! **die Schnitttiefe so einstellen, daß Sie die Plattendurchtrennen und nicht in die Auflaggestützen sägen**
    - falls der Seitenanschlag die gewünschten Schnittbreite nicht ermöglicht, eine gerade Holzleiste auf das Werkstück klemmen oder nageln, die als Schnittführung dient, und das Werkzeug mit der rechten Fußseite an dieser Führungsleiste führen

## WARTUNG / SERVICE

- Dieses Werkzeug eignet sich nicht für den professionellen Einsatz
- Halten Sie Werkzeug und Kabel immer sauber (insbesondere die Lüftungsschlitze)  
**! Netzstecker vor dem Säubern ziehen**
- Halten Sie den Bereich um den unteren Blattschutz F ③ herum stets sauber (entfernen Sie Staub und Späne mit Hilfe von Druckluft oder einem Besen)
- Das Sägeblatt unmittelbar nach der Benutzung reinigen (insbesondere von Harz- und Leimrückständen)
- Sollte das Elektrowerkzeug trotz sorgfältiger Herstellungs- und Prüfverfahren einmal ausfallen, ist die Reparatur von einer autorisierten Kundendienststelle für SKIL-Elektrowerkzeuge ausführen zu lassen
  - das Werkzeug **unzerlegt**, zusammen mit dem Kaufbeleg, an den Lieferer oder die nächste SKIL-Vertragswerkstätte senden (die Anschriften so wie die Ersatzteilzeichnung des Werkzeuges finden Sie unter [www.skil.com](http://www.skil.com))

## UMWELT

- **Elektrowerkzeuge, Zubehör und Verpackungen nicht in den Hausmüll werfen** (nur für EU-Länder)
  - gemäß Europäischer Richtlinie 2012/19/EG über Elektro- und Elektronik- Altgeräte und Umsetzung in nationales Recht müssen nicht mehr gebrauchsfähige Elektrowerkzeuge getrennt gesammelt und einer umweltgerechten Wiederverwertung zugeführt werden
  - hieran soll Sie Symbol ⑫ erinnern

## KONFORMITÄTSERKLÄRUNG CE

**Handkreissäge 5665/5765**

**Technische Daten** ①

- Wir erklären in alleiniger Verantwortung, daß das unter "Technische Daten" beschriebene Produkt mit den folgenden Normen oder Normativen Dokumenten übereinstimmt: EN 60745, EN 61000, EN 55014, gemäß den Bestimmungen der Richtlinien 2014/30/EU, 2006/42/EG, 2011/65/EU
- **Technische Unterlagen bei:** SKIL Europe BV (PT-SEU/ENG1), 4825 BD Breda, NL

Marijn van der Hoofden  
Operations & Engineering

Olaf Dijkgraaf  
Approval Manager

SKIL Europe BV, 4825 BD Breda, NL

16.10.2014

## GERÄUSCH/VIBRATION

- Gemessen gemäß EN 60745 beträgt der Schalldruckpegel dieses Gerätes 97 dB(A) und der Schalleistungspegel 108 dB(A) (Standardabweichung: 3 dB), und die Vibration \* (Vektorsumme dreier Richtungen; Unsicherheit K = 1,5 m/s<sup>2</sup>)
  - \* beim Sägen von Holz 2,6 m/s<sup>2</sup>
  - \* beim Sägen von Metall 2,2 m/s<sup>2</sup>

- Die Vibrationsemissionsstufe wurde mit einem standardisierten Test gemäß EN 60745 gemessen; Sie kann verwendet werden, um ein Werkzeug mit einem anderen zu vergleichen und als vorläufige Beurteilung der Vibrationsexposition bei Verwendung des Werkzeugs für die angegebenen Anwendungszwecke
  - die Verwendung des Werkzeugs für andere Anwendungen oder mit anderem oder schlecht gewartetem Zubehör kann die Expositionsstufe erheblich **erhöhen**
  - Zeiten, zu denen das Werkzeug ausgeschaltet ist, oder wenn es läuft aber eigentlich nicht eingesetzt wird, können die Expositionsstufe erheblich **verringern**
- ! schützen Sie sich vor den Auswirkungen der Vibration durch Wartung des Werkzeugs und des Zubehörs, halten Sie Ihre Hände warm und organisieren Sie Ihren Arbeitsablauf**

NL

**Kirkelzaag**

**5665/5765**

## INTRODUCTIE

- Deze machine is bestemd voor het schulpen en afkorten van hout met een rechte zaaglijn tot onder een hoek van 45°; met de juiste zaagbladen kunnen ook nonferrometalen, lichte bouwmaterialen en kunststoffen gezaagd worden
- Deze machine is niet bedoeld voor professioneel gebruik
- Lees en bewaar deze gebruiksaanwijzing ②

## TECHNISCHE GEGEVENS ①

## VEILIGHEID

### ALGEMENE VEILIGHEIDSVORSCHRIFTEN

**⚠ LET OP! Lees alle veiligheids waarschuwingen en alle voorschriften.** Als de waarschuwingen en voorschriften niet worden opgevolgd, kan dit een elektrische schok, brand of ernstig letsel tot gevolg hebben. **Bewaar alle waarschuwingen en voorschriften voor toekomstig gebruik.** Het in de waarschuwingen gebruikte toekop "elektrisch gereedschap" heeft betrekking op elektrische gereedschappen voor gebruik op het stroomnet (met netsnoer) en op elektrische gereedschappen voor gebruik met een accu (zonder netsnoer).

### 1) VEILIGHEID VAN DE WERKOMGEVING

- Houd uw werkomgeving schoon en opgeruimd.** Een rommelige of onverlichte werkomgeving kan tot ongevallen leiden.
- Werk met het gereedschap niet in een omgeving met explosiegevaar waarin zich brandbare vloeistoffen, gassen of stof bevinden.** Elektrische gereedschappen veroorzaken vonken die het stof of de dampen tot ontsteking kunnen brengen.
- Houd kinderen en andere personen tijdens het gebruik van het elektrische gereedschap uit de**

**buurt.** Wanneer u wordt afgeleid, kunt u de controle over het gereedschap verliezen.

## 2) ELEKTRISCHE VEILIGHEID

- a) **De aansluitstekker van het gereedschap moet in het stopcontact passen. De stekker mag in geen geval worden veranderd. Gebruik geen adapterstekkers in combinatie met geaarde gereedschappen.** Over veranderde stekkers en passende stopcontacten beperken het risico van een elektrische schok.
- b) **Voorkom aanraking van het lichaam met geaarde oppervlakken, bijvoorbeeld van buizen, verwarmingen, fornuizen en koelkasten.** Er bestaat een verhoogd risico door een elektrische schok wanneer uw lichaam geaard is.
- c) **Houd het gereedschap uit de buurt van regen en vocht.** Het binnendringen van water in het elektrische gereedschap vergroot het risico van een elektrische schok.
- d) **Gebruik de kabel niet voor een verkeerd doel, om het gereedschap te dragen of op te hangen of om de stekker uit het stopcontact te trekken. Houd de kabel uit de buurt van hitte, olie, scherpe randen en bewegende gereedschapsdelen.** Beschadigde of in de war geraakte kabels vergroten het risico van een elektrische schok.
- e) **Wanneer u buitenshuis met elektrisch gereedschap werkt, dient u alleen verlengkabels te gebruiken die voor gebruik buitenshuis zijn goedgekeurd.** Het gebruik van een voor gebruik buitenshuis geschikte verlengkabel beperkt het risico van een elektrische schok.
- f) **Als het gebruik van het elektrische gereedschap in een vochtige omgeving onvermijdelijk is, dient u een aardlekschakelaar te gebruiken.** Het gebruik van een aardlekschakelaar vermindert het risico van een elektrische schok.

## 3) VEILIGHEID VAN PERSONEN

- a) **Wees alert, let goed op wat u doet en ga met verstand te werk bij het gebruik van het elektrische gereedschap. Gebruik het gereedschap niet wanneer u moe bent of onder invloed staat van drugs, alcohol of medicijnen.** Een moment van onoplettendheid bij het gebruik van het gereedschap kan tot ernstige verwondingen leiden.
- b) **Draag persoonlijke beschermende uitrusting en altijd een veiligheidsbril.** Het dragen van persoonlijke beschermende uitrusting zoals een stofmasker, slipvast werkschoenen, een veiligheidshelm of gehoorbescherming, afhankelijk van de aard en het gebruik van het elektrische gereedschap, vermindert het risico van verwondingen.
- c) **Voorkom per ongeluk inschakelen. Controleer dat het elektrische gereedschap uitgeschakeld is voordat u de stekker in het stopcontact steekt of de accu aansluit en voordat u het gereedschap oppakt of draagt.** Wanneer u bij het dragen van het elektrische gereedschap uw vinger aan de schakelaar hebt of wanneer u het gereedschap ingeschakeld op de stroomvoorziening aansluit, kan dit tot ongevallen leiden.
- d) **Verwijder instelgereedschappen of schroefslutels voordat u het gereedschap inschakelt.** Een instelgereedschap of sleutel in een draaiend deel van het gereedschap kan tot verwondingen leiden.

- e) **Probeer niet ver te reiken. Zorg ervoor dat u stevig staat en steeds in evenwicht blijft.** Daardoor kunt u het gereedschap in onverwachte situaties beter onder controle houden.
  - f) **Draag geschikte kleding. Draag geen loshangende kleding of sieraden. Houd haren, kleding en handschoenen uit de buurt van bewegende delen.** Loshangende kleding, sieraden en lange haren kunnen door bewegende delen worden meegenomen.
  - g) **Wanneer stofafzuigings- of stofopvangvoorzieningen kunnen worden gemonteerd, dient u zich ervan te verzekeren dat deze zijn aangesloten en juist worden gebruikt.** Het gebruik van een stofafzuiging beperkt het gevaar door stof.
- ## 4) GEBRUIK EN ONDERHOUD VAN ELEKTRISCHE GEREEDSCHAPPEN
- a) **Overbelast het gereedschap niet. Gebruik voor uw werkzaamheden het daarvoor bestemde elektrische gereedschap.** Met het passende elektrische gereedschap werkt u beter en veiliger binnen het aangegeven capaciteitsbereik.
  - b) **Gebruik geen elektrisch gereedschap waarvan de schakelaar defect is.** Elektrisch gereedschap dat niet meer kan worden in- of uitgeschakeld, is gevaarlijk en moet worden gerepareerd.
  - c) **Trek de stekker uit het stopcontact of neem de accu uit het elektrische gereedschap voordat u het gereedschap instelt, toebehoren wisselt of het gereedschap weglegt.** Deze voorzorgsmaatregel voorkomt onbedoeld starten van het gereedschap.
  - d) **Bewaar niet-gebruikte elektrische gereedschappen buiten bereik van kinderen. Laat het gereedschap niet gebruiken door personen die er niet mee vertrouwd zijn en deze aanwijzingen niet hebben gelezen.** Elektrische gereedschappen zijn gevaarlijk wanneer deze door onervaren personen worden gebruikt.
  - e) **Verzorg het gereedschap zorgvuldig. Controleer of bewegende delen van het gereedschap correct functioneren en niet vastklemmen en of onderdelen zodanig gebroken of beschadigd zijn dat de werking van het gereedschap nadelig wordt beïnvloed. Laat beschadigde delen repareren voordat u het gereedschap gebruikt.** Veel ongevallen hebben hun oorzaak in slecht onderhouden elektrische gereedschappen.
  - f) **Houd snijdende inzetgereedschappen scherp en schoon.** Zorgvuldig onderhouden snijdende inzetgereedschappen met scherpe snijkanten klemmen minder snel vast en zijn gemakkelijker te geleiden.
  - g) **Gebruik elektrische gereedschappen, toebehoren, inzetgereedschappen en dergelijke volgens deze aanwijzingen. Let daarbij op de arbeidsomstandigheden en de uit te voeren werkzaamheden.** Het gebruik van elektrische gereedschappen voor andere dan de voorziene toepassingen kan tot gevaarlijke situaties leiden.
- ## 5) SERVICE
- a) **Laat het gereedschap alleen repareren door gekwalificeerd en vakkundig personeel en alleen met originele vervangingsonderdelen.** Daarmee wordt gewaarborgd dat de veiligheid van het gereedschap in stand blijft.

## VEILIGHEIDSVOORSCHRIFTEN VOOR CIRKELZAGEN

### 1) ZAAGMETHODE

- a) **⚠ GEVAAR** : Houd uw handen uit de buurt van de zaagomgeving en het zaagblad. Houd met uw andere hand de extra handgreep of het motorhuis vast. Als u de zaagmachine met beide handen vasthoudt, kunnen uw handen niet door het zaagblad verwond worden.
- b) **Reik niet naar iets onder het werkstuk.** De beschermkap kan u onder het werkstuk niet beschermen tegen het zaagblad.
- c) **Stel de zaagdiepte in op de dikte van het werkstuk.** Onder het werkstuk dient minder dan een volledige tand van de zaagbladranden zichtbaar te zijn.
- d) **Houd het te zagen werkstuk nooit in uw hand of op uw been vast. Zet het werkstuk in een stabiele opname vast.** Het is belangrijk om het werkstuk goed te bevestigen, om het gevaar van contact met het lichaam, vastklemmen van het zaagblad of verlies van de controle te minimaliseren.
- e) **Houd het elektrische gereedschap alleen vast aan de geïsoleerde greepvlakken als u werkzaamheden uitvoert waarbij het inzetgereedschap verborgen stroomleidingen of de eigen netkabel kan raken.** Contact met een onder spanning staande leiding zet ook de metalen delen van het elektrische gereedschap onder spanning en leidt tot een elektrische schok.
- f) **Gebruik voor het afzagen van een langwerpige stuk hout altijd een breedtegeleider of een recht stuk hout als geleider.** Daarmee wordt nauwkeuriger gezaagd en de kans op het verklemmen van het zaagblad verkleind.
- g) **Gebruik altijd zaagbladen met de juiste maat en met een passende vorm van het opnameboorgat (bijv. stervormig of rond).** Zaagbladen die niet bij de montagegedelen van de zaagmachine passen, lopen niet rond en leiden tot het verliezen van de controle.
- h) **Gebruik nooit beschadigde of niet passende flenzen of bouten bij het zaagblad.** De zaagbladflenzen en -bout zijn speciaal ontworpen voor uw zaag, voor optimale prestatie en veiligheid tijdens het werk.

### 2) TERUGSLAG - OORZAKEN EN BIJBEHOORENDE WAARSCHUWINGEN

- Terugslag is een plotselinge reactie op een vastgeklemd, vastgelopen of niet goed uitgelijnd zaagblad, waardoor de zaag ongecontroleerd uit het werkstuk omhoog richting gebruiker springt
- Indien het zaagblad vastgeklemd zit of vastloopt in de zich sluitende zaagsnede, blokkeert het blad en zorgt de reactie-kracht van de motor ervoor, dat de machine snel richting gebruiker terug springt
- Als het zaagblad in de zaagsnede vervormd raakt of niet recht in de zaagsnede loopt, kunnen de zaagtanden aan de achterkant van het zaagblad in de bovenste laag van het hout grijpen, met als gevolg dat het zaagblad uit de zaagsnede klimt en terug naar de gebruiker springt
- Terugslag is het resultaat van verkeerd gebruik van de machine en/of onjuiste werkprocedures of -omstandigheden en kan voorkomen worden door de juiste voorzorgsmaatregelen in acht te nemen, zoals hieronder aangegeven

- a) **Houd de zaag altijd stevig met beide handen vast en positioneer uw armen zodanig, dat u de krachten die ontstaan bij machine-terugslag kunt weerstaan. Positioneer uw lichaam aan één kant van het zaagblad, in ieder geval niet op dezelfde lijn als het zaagblad.** Terugslag kan ervoor zorgen, dat de zaag naar achteren springt, maar terugslag-krachten kunnen door de gebruiker gecontroleerd worden als de juiste voorzorgsmaatregelen in acht genomen worden.
- b) **Laat de schakelaar los, indien het zaagblad vastloopt, of indien om een andere reden het zaagproces onderbroken wordt, en houd de machine bewegingsloos in het materiaal totdat het zaagblad volkomen tot stilstand komt. Probeer nooit om de zaag uit het werkstuk te verwijderen, of trek de zaag nooit naar achteren als het zaagblad in beweging is, want anders ontstaat terugslag.** Onderzoek en neem corrigerende maatregelen om de oorzaak van vastlopen van het zaagblad te elimineren. Vermijd het zagen in spijkers en schroeven.
- c) **Plaats, bij het opnieuw starten van de machine als deze zich in het werkstuk bevindt, het zaagblad midden in de zaagsnede en controleer of de zaagtanden niet in het materiaal vastzitten.** Als het zaagblad vastloopt, kan het uit het werkstuk lopen of een terugslag-reactie geven als de machine opnieuw wordt gestart.
- d) **Ondersteun grote panelen om het risico van vastklemmen en terugslaan van het zaagblad tot een minimum te beperken.** Grote panelen hebben de neiging onder hun eigen gewicht door te zakken. De steunpunten moeten aan beide kanten onder het paneel geplaatst worden, vlakbij de zaagsnede en vlakbij de zijkant van het paneel.
- e) **Gebruik geen botte of beschadigde zaagbladen.** Een onscherp of onjuist geplaatst zaagblad zorgt voor een smalle zaagsnede met grote wrijving, vastlopen van het zaagblad en machine-terugslag als gevolg.
- f) **De bedieningshendels voor het instellen van zaagdiepte en verstekhoek moeten stevig vastzitten, voordat u gaat zagen.** Als de zaagblad-instelling verschuift tijdens het zagen, kan dit vastlopen van het zaagblad en machine-terugslag tot gevolg hebben.
- g) **Wees bijzonder voorzichtig bij zaagwerkzaamheden in bestaande muren of andere plaatsen zonder voldoende zicht.** Het invallende zaagblad kan bij zaagwerkzaamheden in niet-zichtbare voorwerpen blokkeren en een terugslag veroorzaken.

### 3) FUNCTIE VAN ONDERSTE BESCHERMKAP

- a) **Controleer vóór ieder gebruik of de onderste beschermkap op de juiste manier sluit. Gebruik de zaag niet als de onderste beschermkap niet vrij beweegt en/of niet onmiddellijk sluit. De onderste beschermkap nooit in opengedraaide positie vastklemmen of vastbinden.** Indien de zaag per ongeluk is gevallen, kan de onderste beschermkap verbogen zijn. Trek de stekker uit het stopcontact, open de onderste beschermkap met zijn hendel en zorg ervoor dat deze vrij beweegt en, onder alle hoeken en zaagdieptes, niet het zaagblad noch ieder ander machinedeel raakt.

- b) **Controleer of de veer van de onderste beschermkap functioneert. Als de beschermkap en de veer niet juist functioneren, moeten zij vóór gebruik gerepareerd worden.** De onderste beschermkap kan traag functioneren als gevolg van beschadigde onderdelen, kleverige aanslag, of opeenhoping van zaagafval.
- c) **De onderste beschermkap dient alleen handmatig geopend te worden in geval van speciale zaagsnedes, zoals invalzagen en samengestelde zaagsnedes. Open de onderste beschermkap met zijn hendel en laat deze los, zodra het zaagblad het materiaal bereikt.** Bij alle andere zaagbewerkingen dient de onderste beschermkap automatisch open te gaan.
- d) **Houd altijd in de gaten, dat de onderste beschermkap het zaagblad bedekt voordat u de zaag op een plank of vloer wegzet.** Een onbeschermd draaiend zaagblad zal de zaag naar achteren doen bewegen, daarbij alles doorzegend wat hij op zijn pad tegenkomt. Wees bewust van de tijd, die het zaagblad nodig heeft om te stoppen, nadat de schakelaar is losgelaten.

## EXTRA VEILIGHEIDVOORSCHRIFTEN

### ALGEMEEN

- Deze machine mag niet worden gebruikt door personen onder de 16 jaar
- Deze machine is niet geschikt voor nat-zagen
- **Trek altijd de stekker uit het stopcontact voordat u een instelling verandert of een accessoire verwisselt**
- Gebruik de machine niet, wanneer het snoer beschadigd is; laat dit door een erkende vakman vervangen
- **Bewerk geen asbesthoudend materiaal** (asbest geldt als kankerverwekkend)
- Stof van materiaal zoals loodhoudende verf, sommige houtsoorten, mineralen en metaal kunnen schadelijk zijn (contact met of inademing van de stof kan allergische reacties en/of ademhalingsziekten bij gebruiker of omstanders veroorzaken); **draag een stofmasker en werk met een stofopvang-voorziening als die kan worden aangesloten**
- Bepaalde soorten stof zijn geclassificeerd als kankerverwekkend (zoals stof van eiken en beuken), met name in combinatie met toevoegingsmiddelen voor houtverzorging; **draag een stofmasker en werk met een stofopvang-voorziening als die kan worden aangesloten**
- Neem voor de door u te bewerken materialen de nationale voorschriften aangaande stofopvang in acht
- Gebruik alleen een zaagtafel voorzien van een schakelaar ter voorkoming van herstarten van de motor na stroomonderbreking
- Gebruik alleen een zaagtafel voorzien van een spouwmes

### ACCESSOIRES

- SKIL kan alleen een correcte werking van de machine garanderen, indien originele accessoires worden gebruikt
- Gebruik alleen accessoires met een toegestaan toerental, dat minstens even hoog is als het hoogste onbelaste toerental van de machine

- **Gebruik uitsluitend zaagbladen met een minimale diameter van 170 mm, een maximale diameter van 184 mm en een asgat van 16 mm**
- Gebruik nooit HSS-zaagbladen
- Gebruik nooit afbraam-/(door)slipschijven bij deze machine

### VOÓR GEBRUIK

- Controleer altijd of het voltage, dat vermeld staat op het typeplaatje van de machine, overeenkomt met de netspanning (met 230V of 240V aangeduide machines kunnen ook op 220V aangesloten worden)
- Voorkom schade, die kan ontstaan door schroeven, spijkers en andere voorwerpen in uw werkstuk; verwijder deze, voordat u aan een karwei begint
- Verwijder, voordat u begint te zagen, alle obstakels zowel boven als onder het zaagvlak
- **Zet het werkstuk vast** (een werkstuk, dat is vastgezet met klemmen of in een bankschroef, zit steviger vast dan wanneer het met de hand wordt vastgehouden)
- **Gebruik een geschikt detectieapparaat om verborgen stroom-, gas- of waterleidingen op te sporen of raadpleeg het plaatselijke energie- of waterleidingbedrijf** (contact met elektrische leidingen kan tot brand of een elektrische schok leiden; beschadiging van een gasleiding kan tot een explosie leiden; breuk van een waterleiding veroorzaakt materiële schade en kan tot een elektrische schok leiden)
- Gebruik volledig uitgerolde en veilige verlengsnoeren met een capaciteit van 16 Ampère

### TIJDENS GEBRUIK

- Tijdens het werken kan het geluidsniveau 85 dB(A) overschrijden; draag oorbeschermers
- Gebruik uw machine nooit zonder het originele beschermkapsysteem
- Probeer niet om uitzonderlijk kleine werkstukken te zagen
- Werk niet boven uw hoofd met de machine
- Schakel, in geval van blokkeren of elektrische of mechanische storing, de machine onmiddellijk uit en trek de stekker uit het stopcontact
- Raak het snoer niet aan, als dit tijdens de werkzaamheden wordt beschadigd of doorsneden, maar trek onmiddellijk de stekker uit het stopcontact

### NA GEBRUIK

- Als u de machine wegzet moet de motor uitgeschakeld zijn en de bewegende delen tot stilstand zijn gekomen
- Na uitschakeling van uw cirkelzaagmachine, nooit een draaiend cirkelzaagblad stoppen door er aan de zijkant iets tegenaan te drukken

## GEBRUIK

- Monteren van zaagblad ③
  - ! **trek de stekker uit het stopcontact**
  - haal zeskantsleutel A uit opbergplaats B
  - druk asvergrendelknop C in en houd deze vast terwijl u bout D met de zeskantsleutel verwijderd
  - ! **druk asvergrendelknop C alleen in als machine helemaal stilstaat**
  - laat asvergrendelknop C los
  - verwijder flens E
  - open onderste beschermkap F met hendel G en houd deze vast terwijl u het zaagblad monteert met de zaagtanden en de pijl op het zaagblad in dezelfde

- richting wijzend als de pijl op de bovenste beschermkap
- laat onderste beschermkap F los
- monteer flens E
- ! **zorg ervoor, dat het klemoppervlak H van de flenzen perfect schoon is en naar het zaagblad wijst**
- druk asvergrendelknop C in en houd deze vast terwijl u de bout eerst handvast draait, en hem met de zeskantsleutel nog 1/8 slag verder vasttrekt (zorgt voor slippy van het zaagblad wanneer dit grote weerstand ondervindt, waardoor kans op overbelasting van de motor en machine-terugslag kleiner wordt)
- laat asvergrendelknop C los
- Instellen zaagdiepte (0-65 mm) ④
  - voor een optimale zaagsnede mag het zaagblad niet meer dan 3 mm onder het werkstuk uitsteken
  - draai knop J los
  - duw voet K omhoog/omlaag totdat gewenste zaagdiepte op schaal is ingesteld met behulp van aanwijzer L
  - draai knop J vast
- Instellen verstekhoek (0-45°) ⑤
  - draai knop M los
  - kantel machine totdat gewenste verstekhoek op schaal is ingesteld met behulp van aanwijzer N
  - draai knop M vast
- ! **bij verstekzagen correspondeert de zaagdiepte niet met de waarde op de zaagdiepte-schaal**
- Contrôle 90° verstekhoek ⑥
  - stel voet K op maximale zaagdiepte in en zet deze vast ④
  - stel verstekhoek op 0° in en zet deze vast
  - controleer met een winkelhaak of hoek tussen zaagblad en onderkant voet 90° is
  - als bijstelling nodig is, knop M losdraaien, en instelschroef P gebruiken zoals weergegeven
- Verstelbaar zaaglijnvizier Q ⑥a
  - voor het langs de gewenste, op werkstuk aangegeven, zaaglijn geleiden van machine
  - gebruik voor een rechte 0° zaagsnede of een 45° verstekzaagsnede de betreffende indicatielijnen
- ! **laat brede gedeelte van voet op ondersteunde gedeelte van werkstuk rusten**
- kan ingesteld worden naar gelang u het restmateriaal aan binnen- of buitenkant van het blad wilt hebben ⑥b
- ! **breedte van zaagsnede wordt bepaald door dikte van zaagtanden en niet door dikte van zaagblad zelf**
- ! **altijd eerst uitproberen op een stuk afvalmateriaal**
- Stofafzuiging
  - sluit een stofzuiger aan op aansluitstuk R ⑦
  - ! **laat de stofzuigerslang nooit het openen van de beschermkap of het zagen belemmeren**
  - u kunt ook een stofzak gebruiken (SKIL accessoire 2610387402)
- ! **gebruik stofzak/stofzuiger niet bij het zagen van metaal**
- Werken met de machine ⑦
  - steek stekker in stopcontact
  - houd handgreep S altijd stevig met de ene en handgreep T stevig met de andere hand vast

- plaats machine met voorkant van voet goed vlak op het werkstuk
- ! **zorg dat de zaagtanden het werkstuk niet raken**
- schakel uw machine aan door eerst knop V (= veiligheidsschakelaar, die niet vastgezet kan worden) en daarna trekker W in te drukken
- ! **het zaagblad moet eerst op volle snelheid zijn voordat u het in het werkstuk leidt**
- beschermkap F opent automatisch als u het zaagblad in het werkstuk leidt (open beschermkap alleen handmatig met hendel G voor speciale zaagsnedes zoals inval-zagen)
- ! **forceer de machine niet** (oefen lichte en constante druk uit om oververhitting van de zaagbladpunten en het smelten van kunststof materiaal te voorkomen)
- ! **houd de machine tijdens het werk altijd vast bij het(de) grijs-gekleurde greepvlak(ken)**
- schakel uw machine, na het maken van de zaagsnede, uit door trekker W los te laten
- ! **zorg ervoor, dat het zaagblad tot stilstand gekomen is, voordat u de machine van het werkstuk haalt**

## TOEPASSINGSADVIES

- Bij gebruik van de geleiderail (SKIL-accessoire 2610Z04064) in combinatie met de adapter, zal de freesdiepte met 14 mm afnemen bij snedes met een hoek van zowel 90° als 45°
- Leg de goede kant van het werkstuk altijd naar beneden om splinteren tot een minimum te beperken
- Gebruik uitsluitend scherpe zaagbladen van het juiste type ⑧
  - hoe meer tanden, des te beter de zaagsnede
  - zaagbladen met hardmetalen tanden blijven tot 30 maal langer scherp dan gewone zaagbladen
- Breedtegeleider Y ⑨
  - voor het maken van een precieze zaagsnede langs de rand van een werkstuk
  - kan aan beide kanten van de voet bevestigd worden
- Instellen breedtegeleider
  - draai knop Z los
  - stel gewenste zaagbreedte in met behulp van schaal op breedtegeleider (gebruik zaaglijnvizier Q als 0-referentiepunt)
  - draai knop Z vast
- Inval-zagen ⑩
  - stel gewenste zaagdiepte in
  - kantel machine naar voren met zaaglijnvizier Q op één lijn met op werkstuk aangegeven gewenste zaaglijn
  - open onderste beschermkap F met hendel G
  - schakel, net voordat u het zaagblad in het werkstuk leidt, de machine in en laat achterkant van machine geleidelijk zakken terwijl u voorkant van voet als "scharnier" gebruikt
  - beweeg machine geleidelijk zowel naar beneden als naar voren
  - zodra het zaagblad het materiaal bereikt, hendel G loslaten
- ! **de machine nooit naar achteren trekken**
- Zagen van grote panelen ⑪
  - ondersteun paneel dicht bij de zaagsnede op de grond, een tafel of een werkbank

**! stel zaagdiepte zo in, dat u door paneel en niet door de ondersteuning zaagt**

- indien breedtegeleider de gewenste zaagbreedte niet aankan, klem of spijker een recht stuk hout op werkstuk als een geleider, en gebruik de rechterkant van de voet tegen deze geleider

## ONDERHOUD / SERVICE

- Deze machine is niet bedoeld voor professioneel gebruik
- Houd machine en snoer altijd schoon (met name de ventilatie-openingen)  
**! trek de stekker uit het stopcontact vóór het reinigen**
- Houd het gebied rondom de onderste beschermkap F ③ altijd schoon (verwijder stof en splinters met behulp van perslucht of een borstel)
- Maak zaagblad onmiddellijk na gebruik schoon (met name als er hars of lijm op zit)
- Mocht het elektrische gereedschap ondanks zorgvuldige fabricage- en testmethoden toch defect raken, dient de reparatie te worden uitgevoerd door een erkende klantenservice voor SKIL elektrische gereedschappen
  - stuur de machine **ongedemonteerd**, samen met het aankoopbewijs, naar het verkooppadres of het dichtstbijzijnde SKIL service-station (de adressen evenals de onderdeelentekening van de machine vindt u op [www.skil.com](http://www.skil.com))

## MILIEU

- **Geef electrisch gereedschap, accessoires en verpakkingen niet met het huisvuil mee** (alleen voor EU-landen)
  - volgens de Europese richtlijn 2012/19/EG inzake oude elektrische en elektronische apparaten en de toepassing daarvan binnen de nationale wetgeving, dient afgedankt electrisch gereedschap gescheiden te worden ingezameld en te worden afgevoerd naar een recycle-bedrijf, dat voldoet aan de geldende milieu-eisen
  - symbool ② zal u in het afdankstadium hieraan herinneren

## CONFORMITEITSVERKLARING CE

Cirkelzaag 5665/5765

Technische gegevens ①

- Wij verklaren als alleen verantwoordelijke, dat het onder "Technische gegevens" beschreven product voldoet aan de volgende normen of normatieve documenten: EN 60745, EN 61000, EN 55014, overeenkomstig de bepalingen van de richtlijnen 2014/30/EU, 2006/42/EG, 2011/65/EU
- **Technisch dossier bij:** SKIL Europe BV (PT-SEU/ENG1), 4825 BD Breda, NL

Marijn van der Hoofden  
Operations & Engineering

Olaf Dijkgraaf  
Approval Manager

SKIL Europe BV, 4825 BD Breda, NL

16.10.2014

## GELUID/VIBRATIE

- Gemeten volgens EN 60745 bedraagt het geluidsdrumniveau van deze machine 97 dB(A) en het geluidsvermogen-niveau 108 dB(A) (standaard deviatie: 3 dB), en de vibratie \* (vectorsom van drie richtingen; onzekerheid  $K = 1,5 \text{ m/s}^2$ )
  - \* bij het zagen van hout  $2,6 \text{ m/s}^2$
  - \* bij het zagen van metaal  $2,2 \text{ m/s}^2$
- Het trillingsemissieniveau is gemeten in overeenstemming met een gestandaardiseerde test volgens EN 60745; deze mag worden gebruikt om twee machines met elkaar te vergelijken en als voorlopige beoordeling van de blootstelling aan trilling bij gebruik van de machine voor de vermelde toepassingen
  - gebruik van de machine voor andere toepassingen, of met andere of slecht onderhouden accessoires, kan het blootstellingsniveau aanzienlijk **verhogen**
  - wanneer de machine is uitgeschakeld of wanneer deze loopt maar geen werk verricht, kan dit het blootstellingsniveau aanzienlijk **reduceren**
- ! bescherm uzelf tegen de gevolgen van trilling door de machine en de accessoires te onderhouden, uw handen warm te houden en uw werkwijze te organiseren**

S

## Cirkelsåg

5665/5765

## INTRODUKTION

- Maskinen är avsedd för sågning av raka längs- och tvärsnitt och i geringsvinklar upp till  $45^\circ$  i trä; med lämpliga sågklingor kan också icke-järnmetaller, lätt byggnadsmaterial och plast sågas
- Det här verktyget är inte avsedd för yrkesmässig användning
- Läs och spara denna instruktionsbok ②

## TEKNISKA DATA ①

## SÄKERHET

### ALLMÄNNA SÄKERHETSANVISNINGAR

**⚠ OBS! Läs noga igenom alla anvisningar.** Fel som uppstår till följd av att anvisningarna nedan inte följts kan orsaka elstöt, brand och/eller allvarliga kroppsskador.  
**Förvara alla varningar och anvisningar för framtida bruk.** Nedan använt begrepp "elverktyg" hänför sig till nätdrivna elverktyg (med nätsladd) och till batteridrivna elverktyg (sladdlösa).

### 1) ARBETSPLATSSÄKERHET

- Håll arbetsplatsen ren och välbelyst.** Oordning på arbetsplatsen eller dåligt belyst arbetsområde kan leda till olyckor.
- Använd inte elverktynet i explosionsfarlig omgivning med brännbara vätskor, gaser eller damm.** Elverktygen alstrar gnistor som kan antända dammet eller gaserna.

- c) **Håll under arbetet med elverktyget barn och obehöriga personer på betryggande avstånd.** Om du störs av obehöriga personer kan du förlora kontrollen över elverktyget.
- 2) ELEKTRISK SÄKERHET**
- a) **Elverktygets stickpropp måste passa till vägguttaget. Stickproppen får absolut inte förändras. Använd inte adapterkontakter tillsammans med skyddsjordade elverktyg.** Oförändrade stickproppar och passande vägguttag reducerar risken för elektriskt slag.
- b) **Undvik kroppskontakt med jordade ytor som t. ex. rör, värmeelement, spisar och kylskåp.** Det finns en större risk för elektriskt slag om din kropp är jordad.
- c) **Skydda elverktyget mot regn och väta.** Tränger vatten in i ett elverktyg ökar risken för elektriskt slag.
- d) **Missbruka inte nätsladden och använd den inte för att bära eller hänga upp elverktyget och inte heller för att dra stickproppen ur vägguttaget. Håll nätsladden på avstånd från värme, olja, skarpa kanter och rörliga maskindelar.** Skadade eller tilltrasslade ledningar ökar risken för elektriskt slag.
- e) **När du arbetar med ett elverktyg utomhus använd endast förlängningssladdar som är godkända för utomhusbruk.** Om en lämplig förlängningssladd för utomhusbruk används minskar risken för elektriskt slag.
- f) **Använd en jordfelsbrytare om det inte är möjligt att undvika elverktygets användning i fuktig miljö.** Genom att använda en jordfelsbrytare minskas risken för elstöt.
- 3) PERSONSÄKERHET**
- a) **Var uppmärksam, kontrollera vad du gör och använd elverktyget med förnuft. Använd inte elverktyget när du är trött eller om du är påverkad av droger, alkohol eller mediciner.** Under användning av elverktyg kan även en kort uppmärksamhet leda till allvarliga kroppsskador.
- b) **Bär alltid personlig skyddsutrustning och skyddsglasögon.** Användning av personlig skyddsutrustning som t. ex. dammfiltermask, halkfria säkerhetsskor, skyddshjälm och hörselskydd reducerar alltefter elverktygets typ och användning risken för kroppsskada.
- c) **Undvik oavsiktlig igångsättning. Kontrollera att elverktyget är fränkopplat innan du ansluter stickproppen till vägguttaget och/eller ansluter/tar bort batteriet, tar upp eller bär elverktyget.** Om du bär elverktyget med fingret på strömställaren eller ansluter påkopplat elverktyg till nätströmmen kan olycka uppstå.
- d) **Ta bort alla inställningsverktyg och skruvnycklar innan du kopplar på elverktyget.** Ett verktyg eller en nyckel i en roterande komponent kan medföra kroppsskada.
- e) **Överskatta inte din förmåga. Se till att du står stadigt och håller balansen.** I detta fall kan du lättare kontrollera elverktyget i oväntade situationer.
- f) **Bär lämpliga kläder. Bär inte löst hängande kläder eller smycken. Håll håret, kläderna och handskarna på avstånd från rörliga delar.** Löst hängande kläder, smycken och långt hår kan dras in av roterande delar.
- g) **Vid elverktyg med dammsugnings- och -uppsamlingsutrustning kontrollera att anordningarna är rätt monterade och används på korrekt sätt.** Användning av dammsugning minskar de risker damm orsakar.
- 4) OMSORGSFULL HANTERING OCH ANVÄNDNING AV ELVERKTYG**
- a) **Överbelasta inte elverktyget. Använd för aktuellt arbete avsett elverktyg.** Med ett lämpligt elverktyg kan du arbeta bättre och säkrare inom angivet effektområde.
- b) **Ett elverktyg med defekt strömställare får inte längre användas.** Ett elverktyg som inte kan kopplas in eller ur är farligt och måste repareras.
- c) **Dra stickproppen ur vägguttaget och/eller ta bort batteriet innan inställningar utförs, tillbehörskomponenter byts ut eller elverktyget lagras.** Denna skyddsåtgärd förhindrar oavsiktlig inkoppling av elverktyget.
- d) **Förvara elverktygen oåtkomliga för barn. Låt elverktyget inte användas av personer som inte är förtrogna med dess användning eller inte läst denna anvisning.** Elverktygen är farliga om de används av oerfarna personer.
- e) **Sköt elverktyget omsorgsfullt. Kontrollera att rörliga komponenter fungerar felfritt och inte kärvar, att komponenter inte brustit eller skadats; orsaker som kan leda till att elverktygets funktioner påverkas menligt. Låt skadade delar repareras innan elverktyget återanvänds.** Många olyckor orsakas av dåligt skötta elverktyg.
- f) **Håll skärverktygen skarpa och rena.** Omsorgsfullt skötta skärverktyg med skarpa eggar kommer inte så lätt i kläm och går lättare att styra.
- g) **Använd elverktyget, tillbehör, insatsverktyg osv. enligt dessa anvisningar. Ta hänsyn till arbetsvillkoren och arbetsmomenten.** Används elverktyget på icke ändamålsenligt sätt kan farliga situationer uppstå.
- 5) SERVICE**
- a) **Låt elverktyget repareras endast av kvalificerad fackpersonal och med originalreservdelar.** Detta garanterar att elverktygets säkerhet upprätthålls.
- SÄKERHETSANVISNINGAR FÖR CIRKELSÅGAR**
- 1) SÅGMETOD**
- a) **☒ FARA : Håll händerna på betryggande avstånd från sågområdet och sågklingan. Håll andra handen på stödhandtaget eller motorhuset.** Om båda händerna hålls på sågen kan de inte skadas av sågklingan.
- b) **Sträck dig inte under arbetsstycket.** Skyddet skyddar dig inte från sågbladet under arbetsstycket.
- c) **Justera skärdjupet gentemot tjockleken av arbetsstycket.** Mindre än hela längden av en av sågklingans tänder skall vara synlig genom arbetsstycket.
- d) **Arbetsstycket som ska sågas får aldrig hållas i handen eller över benen. Säkra arbetsstycket på ett stabilt stöd.** Det är viktigt att arbetsstycket hålls fast ordentligt för undvikande av kontakt med kroppen, inklämning av sågklinga eller förlorad kontroll över sågen.
- e) **Håll fast elverktyget endast vid de isolerade handtagen när arbeten utförs på ställen där insatsverktyget kan skada dolda elledningar eller**



- egen nåtsladd.** Om elverktyget kommer i kontakt med en spänningsförande ledning sätts elverktygets metalldelar under spänning som sedan leder till elstöt.
- f) **Vid klyvsågning ska alltid ett sidoanslag eller ett raksågningstycke användas.** Det gör att sågkanten blir rakare och minskar risken för att sågbladet kör fast.
- g) **Använd alltid sågklingor i rätt storlek och med lämpligt infästningshål (t. ex. i stjärnform eller runt).** Sågklingor som inte passar till sågens monteringskomponenter roterar orunt och leder till att kontrollen förloras över sågen.
- h) **Använd aldrig skadade eller felaktiga brickor eller bultar för att fästa sågbladet.** Brickorna och bultarna är speciellt tillverkade för sågen, för bästa prestanda och högsta säkerhet vid användningen.
- 2) BAKSLAG – ORSAKER OCH MOTSVARANDE ANVÄNINGAR.**
- Ett bakslag är en plötslig reaktion på ett klämt, fastkört eller felställt sågblad, som gör att sågen lyfts upp och ut ur arbetsstycket på ett okontrollerat sätt
  - Om sågbladet kläms eller körs fast här genom att sågspåret stänger sig, stannar sågbladet och motorreaktionen driver enheten snabbt bakåt mot operatören
  - Om sågbladet blir vridet eller felställt i spåret kan tänderna i bakre delen av sågbladet tränga in i övre delen av arbetsstycket, lämna spåret och hoppa bakåt mot operatören
  - Ett bakslag orsakas av en felaktigt använd såg och kan undvikas med lämpliga skyddsåtgärder som beskrivs nedan
- a) **Håll stadigt i sågen med båda händerna och håll armarna i ett läge som möjliggör att hålla stånd mot de bakslagskrafter som eventuellt uppstår. Stå alltid på sidan om sågklingen; håll aldrig sågklingen i linje med kroppen.** Vid ett bakslag kan sågen hoppa bakåt men användaren kan behålla bakslagskraften om lämpliga åtgärder vidtagits.
- b) **Om sågklingen kommer i kläm eller arbetet avbryts, koppla från sågen och håll sågklingen i arbetsstycket tills den stannat fullständigt. Försök aldrig dra sågen ur arbetsstycket eller bakåt så länge sågklingen roterar eller risk finns för att bakslag uppstår.** Lokalisera och åtgärda orsaken för inklämning av sågklingen. Undvik att såga på spikar och skruvar.
- c) **Vill du återstarta en såg som sitter i arbetsstycket centrera sågklingen i sågspåret och kontrollera att sågklings tänder inte hakat upp sig i arbetsstycket.** Är sågklingen inklämd kan den gå upp ur arbetsstycket eller orsaka bakslag vid återstart av sågen.
- d) **Stöd stora skivor för att reducera risken för ett bakslag till följd av inklämd sågklinga.** Stora paneler sacker gärna under sin egen vikt. Stöd måste placeras under panelen på båda sidorna, nära såglinjen och nära panelens kant.
- e) **Använd inte oskarpa eller skadade sågklingor.** Sågklingor med oskarpa eller fel inriktade tänder medför till följd av ett för stort sågspår ökad friktion, inklämning av sågklingen och bakslag.
- f) **Handtagen för justering av sågdjup och sågvinkel måste vara ådragna och säkrade före sågningen.** Om bladjusteringen ändras under sågningen kan sågklingen klämmas fast och orsaka bakslag.

- g) **Var speciellt försiktig vid sågning i existerande väggar eller andra dolda områden.** Den inträngande sågklingen kan blockera vid sågning i dolda objekt och förorsaka bakslag.

### 3) UNDERSKYDDETS FUNKTION

- a) **Kontrollera före varje användningstillfälle att undre skyddet stänger sig ordentligt. Använd inte sågen om undre skyddet inte rör sig fritt och stängs omedelbart. Kläm eller bind aldrig undre skyddet i öppet läge.** Om sågen tappas av misstag kan undre skyddet bli böjt. Dra ur stickkontakten, fäll upp undre skyddet med uppfällningshandtaget och kontrollera att det rör sig fritt och inte vidrör sågbladet eller någon annan del vid sågning i alla vinklar och djup.
- b) **Kontrollera att fjädern i undre skyddet fungerar. Om skyddet och fjädern inte fungerar ordentligt måste de genomgå service innan sågen används.** Nedre skyddet kan röra sig långsamt på grund av skadade delar, häftande avlagringar eller ansamlad skräp.
- c) **Nedre skyddet ska endast föras bort manuellt vid speciella sågningstyper såsom instickssägning och sammansatt sågning. Hög undre skyddet med handtaget och så fort som sågbladet går in i materialet måste undre skyddet släppas fritt.** För all annan typ av sågning ska undre skyddet träda in automatiskt.
- d) **Se alltid till att undre skyddet täcker sågbladet innan du ställer från dig sågen på en bänk eller på golvet.** Ett oskyddat sågblad i tomgång får sågen att röra sig bakåt och såga allt utefter den tillryggalagda sträckan. Var medveten om den tid det tar för sågbladet att stanna efter det att strömbrytaren släpps upp.

### EXTRA SÄKERHETSANVISNINGAR

#### ALLMÄNT

- Den här maskinen ska inte användas av personer under 16 år
- Denna maskin är inte lämplig till våtsågning
- **Dra alltid ur stickkontakten från väggurtaget innan du gör någon justering eller byter tillbehör**
- Använd ej maskinen om sladden är trasig; låt den byta ut av en kvalificerad person
- **Asbesthaltigt material får inte bearbetas** (asbest anses vara cancerframkallande)
- Viss typ av damm, exempelvis färg som innehåller bly, vissa träsorter, mineraler och metaller kan vara hälsovådliga om de inhaleras (hudkontakt eller inhalering kan ge allergisk reaktion och/eller luftvägsproblem/ sjukdom hos personer i närheten); **använd andningsskydd och arbeta med en dammuppsamlare om sådan anslutning finns**
- Vissa typer av damm är klassificerade så som carcinogena (t.ex. ek- och björkdamm) särskilt i kombination med tillsatser för träbehandling; **använd andningsskydd och arbeta med en dammuppsamlare om sådan anslutning finns**
- Följ de nationella krav, som finns angående damm, för de material du skall arbeta med
- Använd endast sågbord som är utrustad med 0-spänningsströmbrytare som förhindrar återstart av motorn efter strömbrott
- Använd endast sågbord som är utrustad med klyvkniven

## TILLBEHÖR

- SKIL kan endast garantera att maskinen fungerar felfritt om originaltillbehör används
- Använd endast tillbehör vilkas tillåtna varvtal åtminstone motsvarar maskinens högsta tomgångsvarvtal
- **Använd endast sågblad med en minsta diameter på 170 mm, en största diameter på 184 mm och ett spindelhål på 16 mm**
- Använd aldrig en blad, som är gjord av snabbstål
- Använd aldrig slip/kapskivor till denna maskin

## FÖRE ANVÄNDNINGEN

- Kontrollera alltid att den tillförda strömtypen stämmer med spänningen som anges på maskinens märkplåt (maskiner med beteckningen 230V eller 240V kan även anslutas till 220V)
- Undvik skador genom att ta bort skruvar, spikar eller andra föremål ur arbetsstycket; ta dem bort innan du startar ett arbete
- Se till att arbetsområdet är fritt från föremål innan du startar arbetet
- **Sätt fast arbetsstycket** (ett arbetsstycke fastsatt med skruvvingar eller i ett skruvståd är mera stabilt än om det hålls fast för hand)
- **Använd lämpliga detektorer för lokalisering avolda försörjningsledningar eller konsultera lokalt distributionsföretag** (kontakt med elledning kan förorsaka brand och elstöt; en skadad gasledning kan leda till explosion; borring i vattenledning kan förorsaka saksador eller elstöt)
- Använd helt utrullade och säkra förlängningsladdar med kapacitet på 16 A

## UNDER ANVÄNDNINGEN

- Ljudnivån vid arbete kan överskrida 85 dB(A); använd hörselskydd
- Använd aldrig din maskin utan maskinens original säkerhetsdetaljer
- Såga ej extremt små arbetsstycken
- Använd aldrig din maskin ovanför huvudet
- I händelse av fastkörning, onormala elektriska eller mekaniska störningar, stäng genast av maskinen och dra ur stickkontakten
- Skadas eller kapas nätsladden under arbetet, rör inte vid sladden utan dra genast ut stickkontakten

## EFTER ANVÄNDNINGEN

- När du ställer ifrån dig maskinen måste motorn vara frånslagen och de rörliga delarna ska ha stannat fullständigt
- Efter att maskinen blivit avstängd, försök aldrig att stoppa rotationen genom att pressa något mot bladet, utan låt den stanna av sig självt

## ANVÄNDNING

- Montering av sågbladet ③
  - ! **drag ur stickkontakten**
  - ta fram hexnyckeln A från förvaringsutrymmet B
  - håll ner spindellåsknappen C medan du tar ut bladbulen D med hexnyckeln
  - ! **tryck bara på spindellåsknappen C medan verktyget står stilla**
  - släpp upp spindellåsknappen C
  - tag bort flänsen E

- öppna undre skyddet F med spaken G och håll det medan du monter sågbladet med sågtänder och pilen som är tryckt på sågbladet pekande i samma riktning som pilen på övre skyddet
- släpp undre skyddet F
- sätt tillbaka flänsen E
- ! **se till att klämyrtorna H på flänsarna är helt rena och vända mot bladet**
- håll ner spindellåsknappen C medan du drar åt bladbulen med hexnyckeln 1/8 varv mer än fingerkraft (möjliggör slirning av sågblad vid sågning med hårt sågmotstånd och minskar överbelastning på motorn samt motverkar kast)
- släpp upp spindellåsknappen C
- Justering av sågdjup (0-65 mm) ④
  - för optimal sågning skall ej sågbladet överstiga mer än 3 mm under arbetsstycket
  - lossa knapp J
  - tryck upp/ned foten K till önskad sågdjup på skalan genom användande av indikatorn L
  - dra åt knapp J
- Justering av sågvinkel (0-45°) ⑤
  - lossa knapp M
  - luta maskinen till önskad sågvinkel på skalan genom användande av indikatorn N
  - dra åt knapp M
  - ! **vid fäsning, sågdjup överensstämmer ej med värdet på sågdjupsskalan**
- Kontroll av vinkel vid 90° ⑤
  - justera och dra åt foten K till maximalt sågdjup ④
  - justera och dra åt sågvinkeln till 0°
  - kontrollera 90° vinkel mellan blad och undersida av foten med en vinkelhake
  - om justering är nödvändig, lossa knapp M och använd ställskruven P enligt bilden
- Justerbar såglinjefönster Q ⑥a
  - för att föra maskinen längs önskad såglinje markerat på arbetsstycket
  - för rak 0° sågning eller 45° vinkelsågning använd angående indikatorslinjen
  - ! **den breda delen av foten skall vila på den stödjande delen av arbetsstycket**
  - kan justeras för att du ska kunna välja om du vill ha det avsågade på den inre eller yttre sidan av bladet ⑥b
  - ! **sågbredd är fastställd av vidden på sågtänderna och ej på vidden av bladkroppen**
  - ! **gör alltid en provsågning först för att fastställa den verkliga såglinjen**
- Dammuppsugning
  - anslut dammsugare till anslutning R ⑦
  - ! **låt ej dammsugarsslängen hindra undre klingskyddet eller sågning**
  - ett spånåse (SKIL tillbehör 2610387402) kann även användas
  - ! **använd inte dammpåsen/dammsugare för skåring i metall**
- Användning av maskinen ⑦
  - sätt kontakten i väggurtaget
  - håll alltid fast handtaget S stadigt med en hand och handtaget T stadigt med den andra handen
  - placera maskinen med fotplattans framsida plant på arbetsstycket

- ! **se till att sågtänderna ej går emot arbetsstycket**
- starta maskinen genom att först trycka in knappen V (= säkerhetsströmbrytare som ej kan låsas) och därefter avtryckaren W
- ! **maskinen skall ha nått max. varvtal innan bladet kommer i kontakt med arbetsstycket**
- det undre skyddet F öppnas automatiskt när sågbladet kommer i kontakt med arbetsstycket (öppna undre skyddet manuellt genom att föra undan det med spaken G endast för speciell sågning som dyksågning)
- ! **överbelasta inte maskinen** (använd lätt och jämnt tryck för att undvika överhettning av bladspetsarna och att plasten smälter om plastmaterial bearbetas)
- ! **under arbetet, håll alltid verktyget i det grö greppet**
- när du är färdig, stäng av maskinen genom att släppa avtryckaren W
- ! **försäkra dig om att bladet helt har stannat innan maskinen lyfts från det sågade materialet**

## ANVÄNDNINGSTIPS

- Vid användning av styrskena (SKIL-tillbehör 2610Z04064) i kombination med adapter minskas sågdjupet med 14 mm för 90°- såväl som 45°-snitt
- Lägg alltid den finaste sidan av arbetsstycket nedåt för att förhindra minimum av flis
- Använd endast skarpa sågblad av rätt sort ③
  - kvaliteten på sågsnittet förbättras genom antalet tänder
  - hårdmetallblad förblir vassa upp till 30 gånger längre än vanliga blad
- Sidoanslag Y ④
  - för exakt sågning längs arbetsstyckets kanter
  - kan infogas i båda sidorna av foten
 Justering av sidoanslag
  - lossa knapp Z
  - justera till önskad sågdjup med hjälp av skalan på sidoanslaget (använd såglinjefönster Q som 0-referens)
  - dra åt knapp Z
- Dyksågning ⑩
  - ställ in önskat sågdjup
  - luta maskinen framåt med såglinjefönstern Q i linje med önskad såglinje som finns markerad på arbetsstycket
  - öppna undre skyddet F med spaken G
  - starta maskinen innan bladet kommer i kontakt med arbetsstycket och gradvis sänker bakdelen av maskinen i arbetsstycket genom att använda främre delen av foten som stöd
  - föra maskinen gradvis nedåt och framåt
  - så fort som sågbladet går in i materialet, lösgör spak G
- ! **dra aldrig maskinen bakåt**
- Sågning av stora paneler ⑪
  - stöd panel nära sågning på ett golv, bord eller arbetsbänk
- ! **ställ in sågdjup så att du såg genom panelen och ej genom stödet**
- om sidoanslaget är för kort för önskad sågdjup kläm eller spika fast en rak träbit till arbetsstycket som ett anhåll, och använd högra sidan av foten mot detta anhåll

## UNDERHÅLL / SERVICE

- Det här verktyget är inte avsedd för yrkesmässig användning
- Håll alltid din maskin och sladden ren (speciellt ventilationsöppningarna)
- ! **drag ur stickkontakten innan rengöring**
- Håll alltid området runt det nedre skyddet F ③ rent (avlågsna damm och spån med hjälp av tryckluft eller en borste)
- Rengör sågbladet direkt efter användning (speciellt efter kåda och lim)
- Om i elverktyget trots exakt tillverkning och sträng kontroll störning skulle uppstå, bör reparation utföras av auktoriserad serviceverkstad för SKIL elverktyg
  - sänd in verktyget i **odemonterat skick** tillsammans med inköpsbevis till försäljaren eller till närmaste SKIL serviceverkstad (adresser till servicestationer och sprängskisser av maskiner finns på [www.skil.com](http://www.skil.com))

## MILJÖ

- **Elektriska verktyg, tillbehör och förpackning får inte kastas i hushållsoporna** (gäller endast EU-länder)
  - enligt direktivet 2012/19/EG som avser äldre elektrisk och elektronisk utrustning och dess tillämpning enligt nationell lagstiftning ska uttjänta elektriska verktyg sorteras separat och lämnas till miljövänlig återvinning
  - symbolen ⑫ kommer att påminna om detta när det är tid att kassera

## FÖRSÄKRAN OM ÖVERENSSTÄMMELSE CE

**Cirkelsåg 5665/5765**

**Tekniska data** ①

- Vi försäkrar härmed under exklusivt ansvar att denna produkt som beskrivs i "Tekniska data" överensstämmer med följande normer eller normativa dokument: EN 60745, EN 61000, EN 55014, enligt bestämmelserna i direktiven 2014/30/EU, 2006/42/EG, 2011/65/EU
- **Teknisk tillverkningsdokumentation finns hos:** SKIL Europe BV (PT-SEU/ENG1), 4825 BD Breda, NL

Marijn van der Hoofden      Olaf Dijkstraaf  
Operations & Engineering      Approval Manager

SKIL Europe BV, 4825 BD Breda, NL

16.10.2014

## LJUD/VIBRATION

- Ljudtrycksnivån som uppmätts enligt EN 60745 är på denna maskin 97 dB(A) och ljudeffektnivån 108 dB(A) (standard deviation: 3 dB), och vibration \* m/s<sup>2</sup> (vektorsumma i tre riktningar; onoggrannhet K = 1,5 m/s<sup>2</sup>)
  - \* vid sågning i trä 2,6 m/s<sup>2</sup>
  - \* vid sågning i metall 2,2 m/s<sup>2</sup>
- Vibrationsemissionsvärdet har uppmätts enligt ett standardiserat test i enlighet med EN 60745; detta värde kan användas för att jämföra vibrationen hos olika verktyg

och som en ungefärlig uppskattning av hur stor vibration användaren utsätts för när verktyget används enligt det avsedda syftet

- om verktyget används på ett annat än det avsedda syftet eller med fel eller dåligt underhållna tillbehör kan detta drastiskt öka vibrationsnivån
- när verktyget stängs av eller är på men inte används, kan detta avsevärt minska vibrationsnivån

**! skydda dig mot vibration genom att underhålla verktyget och dess tillbehör, hålla händerna varma och styra upp ditt arbetssätt**

DK

Rundsav

5665/5765

## INLEDNING

- Værktøjet er beregnet til at udføre længde- og tværsnit med lige snitforløb og geringsvinkler op til 45° i træ; brug af passende savklinger gør det også muligt at save i ikke-jernmetal, lette byggematerialer og kunststof
- Dette værktøj er ikke beregnet til professionelt brug
- Læs og gem denne betjeningsvejledning ②

## TEKNISKE DATA ①

### SIKKERHED

#### GENERALE SIKKERHEDSINSTRUKSER

**⚠ VIGTIGT!** Læs alle advarselshenvisninger og instrukser. I tilfælde af manglende overholdelse af advarselshenvisningerne og instrukserne er der risiko for elektrisk stød, brand og/eller alvorlige kvæstelser. **Opbevar alle advarselshenvisninger og instrukser til senere brug.** Det i advarselshenvisningerne benyttede begreb "el værktøj" refererer til netdrevet el værktøj (med netkabel) og akkudrevet el værktøj (uden netkabel).

#### 1) SIKKERHED PÅ ARBEJDSPLADSEN

- Sørg for, at arbejdsområdet er rent og ryddeligt.**  
Uorden eller uoplyste arbejdsområder øger faren for ulykke.
- Brug ikke maskinen i eksplosionsfarlige omgivelser, hvor der er brændbare væsker, gasser eller støv.**  
El-værktøjet kan slå gnister, der kan antænde støv eller dampe.
- Sørg for, at andre personer og ikke mindst børn holdes væk fra arbejdsområdet, når maskinen er i brug.** Hvis man distraheres, kan man miste kontrollen over maskinen.

#### 2) ELEKTRISK SIKKERHED

- Maskinens stik skal passe til kontakten. Stikket må under ingen omstændigheder ændres. Brug ikke adapterstik sammen med jordforbundne maskiner.**  
Uændrede stik, der passer til kontakterne, nedsætter risikoen for elektrisk stød.
- Undgå kropskontakt med jordforbundne overflader som f.eks. rør, radiatorer, komfurer og køleskabe.**  
Hvis din krop er jordforbundet, øges risikoen for elektrisk stød.

#### c) Maskinen må ikke udsættes for regn eller fugt.

Indtrængning af vand i maskinen øger risikoen for elektrisk stød.

#### d) Brug ikke ledningen til formål, den ikke er beregnet til (f.eks. må man aldrig bære maskinen i ledningen, hænge maskinen op i ledningen eller rykke i ledningen for at trække stikket ud af kontakten).

**Beskyt ledningen mod varme, olie, skarpe kanter eller maskindele, der er i bevægelse.** Beskadigede eller indviklede ledninger øger risikoen for elektrisk stød.

#### e) Hvis maskinen benyttes i det fri, må der kun benyttes en forlængerledning, der er godkendt til udendørs brug. Brug af forlængerledning til udendørs brug nedsætter risikoen for elektrisk stød.

#### f) Hvis det ikke kan undgås at bruge maskinen i fugtige omgivelser, skal der bruges et HFI-relæ. Brug af et HFI-relæ reducerer risikoen for at få elektrisk stød.

### 3) PERSONLIG SIKKERHED

- Det er vigtigt at være opmærksom, se, hvad man laver, og bruge maskinen fornuftigt. Man bør ikke bruge maskinen, hvis man er træt, har nydt alkohol eller er påvirket af medicin eller euforiserende stoffer.** Få sekunders uopmærksomhed ved brug af maskinen kan føre til alvorlige personskader.
- Brug beskyttelsesudstyr og hav altid beskyttelsesbriller på.** Brug af sikkerhedsudstyr som f. eks. støvmaske, skridsikkert fodtøj, beskyttelseshjelm eller høreværn afhængig af maskintype og anvendelse nedsætter risikoen for personskader.
- Undgå utilsigtet igangsætning. Kontrollér, at el værktøjet er slukket, før du tilslutter det til strømtilførslen og/eller akkuen, løfter eller bærer det.** Undgå at bære el værktøjet med fingeren på afbryderen og sørg for, at el værktøjet ikke er tændt, når det slutes til nettet, da dette øger risikoen for personskader.
- Fjern indstillingsværktøj eller skruenøgle, inden maskinen tændes.** Hvis et stykke værktøj eller en nøgle sidder i en roterende maskindel, er der risiko for personskader.
- Overvurder ikke dig selv. Sørg for at stå sikkert, mens der arbejdes, og kom ikke ud af balance.** Det er derved nemmere at kontrollere maskinen, hvis der skulle opstå uventede situationer.
- Brug egnet arbejdstøj. Undgå løse beklædningsgenstande eller smykker. Hold hår, tøj og handsker væk fra dele, der bevæger sig.** Dele, der er i bevægelse, kan gribe fat i løstsiddende tøj, smykker eller langt hår.
- Hvis støvudsugnings- og opsamlingsudstyr kan monteres, er det vigtigt, at dette tilsluttes og benyttes korrekt.** Brug af en støvopsugning nedsætter risikoen for personskader som følge af støv.

### 4) OMHYGGE LIG OMGANG MED OG BRUG AF EL-VÆRKTØJ

- Undgå overbelastning af maskinen. Brug altid en maskine, der er beregnet til det stykke arbejde, der skal udføres.** Med den rigtige maskine arbejder man bedst og mest sikkert inden for det angivne effektområde.
- Brug ikke en maskine, hvis afbryder er defekt.** En maskine, der ikke kan startes og stoppes, er farlig og skal repareres.

- c) **Træk stikket ud af stikkontakten og/eller fjern akkuen, inden maskinen indstilles, der skiftes tilbehørsdele, eller maskinen lægges fra.** Disse sikkerhedsforanstaltninger forhindrer utilsigtet start af maskinen.
- d) **Opbevar ubenyttet el-værktøj uden for børns rækkevidde. Lad aldrig personer, der ikke er fortrolige med maskinen eller ikke har gennemlæst disse instrukser, benytte maskinen.** El-værktøj er farligt, hvis det benyttes af ukyndige personer.
- e) **Maskinen bør vedligeholdes omhyggeligt. Kontroller, om bevægelige dele fungerer korrekt og ikke sidder fast, og om delene er brækket eller beskadiget, således at maskinens funktion påvirkes. Få beskadigede dele repareret, inden maskinen tages i brug.** Mange uheld skyldes dårligt vedligeholdte maskiner.
- f) **Sørg for, at skæreværktøjer er skarpe og rene.** Omhyggeligt vedligeholdte skæreværktøjer med skarpe skærekanter sætter sig ikke så hurtigt fast og er nemmere at føre.
- g) **Brug el-værktøj, tilhører, indsatsværktøj osv. iht. disse instrukser. Tag hensyn til arbejdsforholdene og det arbejde, der skal udføres.** I tilfælde af anvendelse af værktøjet til formål, som ligger uden for det fastsatte anvendelsesområde, kan der opstå farlige situationer.

## 5) SERVICE

- a) **Sørg for, at maskinen kun repareres af kvalificerede fagfolk, og at der kun benyttes originale reservedele.** Dermed sikres størst mulig maskinsikkerhed.

## SIKKERHEDSFORSKRIFTER FOR RUNDSAVE

### 1) SAVEPROCEDURE

- a) **FARE : Hold fingrene væk fra saveområdet og savklingen. Hold på ekstragrebet eller motorhuset med den anden hånd.** Holdes saven med begge hænder, kan disse ikke kvæstes af savklingen.
- b) **Stik ikke hånden ind under arbejdsemnet.** Skærmen kan ikke beskytte Dem mod savklingen neden under arbejdsemnet.
- c) **Justerer dybdeindstillingen efter arbejdsstykket.** Mindre end en hel tand på saveklingen skal være synlig på undersiden af arbejdsstykket.
- d) **Hold aldrig det emne, der skal saves i, i hånden eller hen over benet. Sikre emnet på en stabil holder.** Det er vigtigt at fastgøre emnet godt for at minimere fare for kropskontakt, klemning af savklinge eller tab af kontrol.
- e) **Hold altid kun el-værktøjet i de isolerede gribeblader, når du udfører arbejde, hvor indsatsværktøjet kan ramme bøjede strømledninger eller værktøjets eget kabel.** Kontakt med en spændingsførende ledning sætter også metaldele under spænding, hvilket fører til elektrisk stød.
- f) **Når De saver på langs ad årerne, skal De altid bruge et sidestykke eller et lige stykke træ som styr.** Det giver større præcision og nedsætter risikoen for at savklingen sætter sig fast.
- g) **Anvend altid savklinger i den rigtige størrelse og med passende boring (f.eks. stjerneformet eller rund).** Savklinger, der ikke passer til savens

monteringsdele, løber ikke rundt, hvorved du taber kontrollen.

- h) **Anvend aldrig beskadigede eller forkerte savklingeskiver eller -bolte.** Savklingeskiver og -bolte er specielt konstrueret til Deres sav for optimal præstation og sikker anvendelse.
- 2) TILBAGESLAG - ÅRSAGER OG TILSVARENDE ADVARSLER**
- Tilbageslag er en pludselig reaktion på en fastklemt, blokeret eller forkert indstillet savklinge, som får saven til at løfte sig op og ud af arbejdsemnet mod brugeren
  - Når savklingen er fastklemt eller blokeret, fordi savsnittet lukker sig, går savklingen i stå og motorreaktionen driver hurtigt tilbage mod brugeren
  - Hvis savklingen bliver skævet eller forkert rettet ind i savsnittet, kan tænderne på savklingens bagkant trænge ned i træets overflade, hvilket får savklingen til at komme ud af savsnittet og blive kastet tilbage mod brugeren
  - Tilbageslag er resultatet af værktøjsmisbrug og/eller forkerte arbejdsmetoder eller -forhold og kan undgås ved at træffe nedenstående korrekte forholdsregler
- a) **Hold godt fast i saven med begge hænder og anbring armene således, at De kan modstå tilbageslagskræfterne. Stå med kroppen ved siden af savklingen, ikke på linje med savklingen.** Tilbageslag kan bevirke, at saven kastes tilbage, men hvis der træffes de korrekte forholdsregler, kan brugeren klare tilbageslagskræfterne.
- b) **Hvis savklingen sætter sig fast eller når savearbejdet af en eller anden grund afbrydes, skal afbryderen slippes og saven holdes ubevægelig i materialet, indtil savklingen står fuldstændigt stille. Forsøg aldrig at fjerne saven fra arbejdsemnet eller at trække saven baglæns, mens savklingen er i bevægelse, da der ellers kan opstå tilbageslag.** Find årsagen til at savklingen har sat sig fast og ret fejlen. Pas på ikke at save i søm eller skruer.
- c) **Når saven startes i arbejdsemnet igen, anbring savklingen midt i savsnittet og sørg for at savtænderne ikke griber ind i arbejdsemnet.** Hvis savklingen sætter sig fast, kan den bevæge sig opad eller blive kastet tilbage fra arbejdsemnet, når saven startes igen.
- d) **Understøt store arbejdsemner for at minimere risikoen for at savklingen klemmes fast og slås tilbage.** Store arbejdsemner har en tendens til at synke ned på midten under deres egen vægt, så der skal placeres understøtninger under arbejdsemnet i begge sider, tæt på snittet og i nærheden af emnets kant.
- e) **Anvend aldrig en sløv eller beskadiget savklinge.** Uskarpe eller forkert indstillede savklinger giver smalle snit, som forårsager stor friktion, får savklingen til at sætte sig fast og giver tilbageslag.
- f) **Klædedybde- og smigskæringslæsehåndtag skal være stramme og sidde godt fast, før De begynder at save.** Hvis savklingens indstilling ændrer sig under savningen, kan det bevirke, at savklingen sætter sig fast og giver tilbageslag.
- g) **Vær særlig forsigtig, når der saves i bestående vægge eller andre områder, hvor man ikke har direkte indblik.** Den neddykkende savklinge kan blokere i forbindelse med savning i skjulte genstande, hvilket kan føre til et tilbageslag.

### 3) FUNKTION AF DEN UNDERSKÆRM

- a) **Inden hver ibrugtagning skal De kontrollere, at underskærmen lukker rigtigt. Hvis underskærmen ikke kan bevæge sig frit og lukker omgående, må saven ikke anvendes. Fastspænd eller blokér aldrig underskærmen i åben stilling.** Hvis saven ved et uheld tabes, kan underskærmen blive bøjet. Træk stikket ud af kontakten, hæv underskærmen med håndtaget og sørg for at den kan bevæge sig frit og ikke berører savklingen eller andre dele, i alle vinkler og savedydbder.
- b) **Kontrollér funktionen af underskærmens fjeder. Hvis skærmen og fjederen ikke fungerer korrekt, skal de repareres før brug.** Underskærmen kan fungere trægt på grund af beskadigede dele, klæbrige aflejringer eller ophobning af snavs.
- c) **Underskærmen må kun hæves manuelt ved special savning f.eks. dyksavning og savning i sammensatte materialer.** Hæv underskærmen ved hjælp af håndtaget, og så snart savklingen berører arbejdsområdet, skal underskærmen udløses. Ved al anden savning skal underskærmen fungere automatisk.
- d) **Sørg altid for at underskærmen dækker savklingen, før saven lægges ned på arbejdsbænken eller gulvet.** En ubeskyttet savklinge, som kører i tomgang, vil få saven til at bevæge sig baglæns og save i alt, der kommer i vejen for den. Vær opmærksom på, at det tager lidt tid, før savklingen stopper, efter kontakten slippes.

### EKSTRA SIKKERHEDSFORSKRIFTER

#### GENERELT

- Dette værktøj må ikke bruges af personer under 16 år
- Dette værktøj er ikke egnet til vandsavning
- **Fjern altid først stikket fra kontakten, før De foretager nogle ændringer eller skifter tilbehør**
- Brug ikke værktøjet, hvis kablet er beskadiget; få det skiftet ud af en anerkendt fagmand
- **Bearbejd ikke asbestholdigt materiale** (asbest er kræftfremkaldende)
- Støv fra materiale som f.eks. maling, der indeholder bly, nogle træsorter, mineraler og metal kan være skadeligt (kontakt med eller indånding af støvet kan forårsage allergiske reaktioner og/eller sygdomme i luftvejene hos den, der anvender værktøjet, eller hos omkringstående); **bær en støvmaske og arbejd med en støvudsugningsanordning, hvor en sådan kan slutes til**
- Visse slags støv er klassificeret som kræftfremkaldende (som f.eks. støv fra eg og bøg) især i forbindelse med tilsætningsstoffer til træbehandling; **bær en støvmaske og arbejd med en støvudsugningsanordning, hvor en sådan kan slutes til**
- Følg de nationale krav, hvad angår støv, for de materialer, du ønsker at arbejde med
- Anvend kun et savbord udstyret med en sikkerhedskontakt, som forhindrer re-start af motoren, efter en spændingsafbrydelse
- Anvend kun et savbord udstyret med en spaltekniv

#### TILBEHØR

- SKIL kan kun sikre en korrekt funktion af værktøjet, hvis der benyttes originalt tilbehør

- Der må kun benyttes tilbehør, hvis godkendte omdrejningstal er mindst så højt som værktøjets max. omdrejningstal i ubelastet tilstand
- **Brug kun savklinger med en min. diameter på 170 mm, en maks. diameter på 184 mm og et spindelhul på 16 mm**
- Brug aldrig savklinger der er lavet af HSS stål
- Anvend aldrig slibe/skæreskiver til dette værktøj

#### INDEN BRUG

- Kontrollér altid at forsyningsspændingen er den samme som den spænding, der er anført på værktøjets navneskilt (værktøj med betegnelsen 230V eller 240V kan også tilsluttes til 220V)
- Undgå skader forårsaget af skruer, søm eller andre materialer i arbejdsstykke; fjern disse før De begynder at arbejde
- Fjern alle genstande såvel ovenpå som nedenunder savlinien, før De begynder at save
- **Fastgør emnet** (det er sikrere at holde emner i en fastgøringsanordning eller skruestik end med hånden)
- **Anvend egnede søgeinstrumenter til at finde frem til skjulte forsyningsledninger eller kontakt det lokale forsyningselskab** (kontakt med elektriske ledninger kan føre til brand og elektrisk stød; beskadigelse af en gasledning kan føre til eksplosion; brud på et vandrør kan føre til materiel skade eller elektrisk stød)
- Anvend helt udrullede og sikre forlængerledninger med en kapacitet på 16 A

#### UNDER BRUG

- Under arbejde med værktøjet kan lydniveauet overstige 85 dB(A); brug hørevern
- Brug aldrig værktøjet uden den originale beskyttelsesskærm
- Forsøg ikke at save ekstremt små arbejdsstykker
- Arbejd ikke med værktøjet over hovedet
- I tilfælde af blokering eller ved elektrisk eller mekanisk fejlfunktion, afbryd straks værktøjet og tag stikket ud af kontakten
- Hvis kablet beskadiges eller skæres over under arbejdet, ikke berør kablet, og straks træk ud stikket

#### EFTER BRUG

- Efter endt arbejde skal afbryderen afbrydes og alle bevægelige dele være stoppet før værktøjet sættes til side
- Efter afbrydelse af rundsaven, så stop aldrig rotationen af savklingen ved et pres fra siden

### BETJENING

- Montering af savklinge ③
  - ! **træk stikket ud af kontakten**
  - tag stiftnøglen A ud af opbevaringspladsen B
  - tryk på spindelåseknappen C og hold den nede, medens De fjerner klingebolten D med stiftnøglen
  - ! **tryk kun på spindelåseknappen C, når værktøjet ikke bevæger sig**
  - udløs spindelåseknappen C
  - fjern flangen E
  - åbn underskærmen F med tappen G og hold den fast, medens De monterer savklingen med savtænderne og pilen trykt på savklingen pegende i samme retning som pilen på overskærmen
  - udløs underskærmen F

- monter flangen E
- ! **sørg for at flangernes fastspændingsflader H er helt rene og vender mod klingen**
- tryk på spindellåseknappen C og hold den nede, medens De spænder klingebolten med stiftnøglen 1/8 omgang fingerstramt (sikrer at savklingen kan glide, når den udsættes for ekstrem modstand for at reducere motoroverbelastning og savbagslag)
- udløs spindellåseknappen C
- Indstilling af savdyben (0-65 mm) ④
  - for at opnå et perfekt kvalitetssnit bør savklingen ikke rage mere end 3 mm nedenfor arbejdsemnet
  - løsn knappen J
  - løft/sænk foden K indtil den ønskede savdybde fremkommer på skalaen ved at anvende indikatoren L
  - spænd knappen J
- Indstilling af savvinklen (0-45°) ⑤
  - løsn knappen M
  - tip værktøjet indtil den ønskede savvinkel fremkommer på skalaen ved at anvende indikatoren N
  - spænd knappen M
- ! **ved smigskæring, vil savdybden ikke svare til den angivne værdi på savdybdeskalaen**
- Check at savvinklen er 90° ⑥
  - justér og spænd foden K til maksimal savdybde ④
  - justér og spænd savvinklen på 0°
  - kontrollér at der er en 90° vinkel mellem savklinge og undersiden af foden med en vinkel
  - hvis justering er nødvendig, løsn knappen M og brug stillekruen P som vist
- Indstilleligt savelinjevisir Q ⑥a
  - for præcis savning langs den ønskede savelinjen markeret på arbejdsemnet
  - for lige savning i 0° eller 45° smigskæring, anvend da den pågældende indikatorlinje
- ! **den bredeste del af foden bør hvile på den del af arbejdsemnet som har støtte**
- kan justeres, så De kan vælge om spildmaterialet skal være på klingens inder- eller yderside ⑥b
- ! **savbredden er afhængig af bredden på savtænderne og ikke af selve klingens**
- ! **udfør altid et prøve snit, for at kontrollere den aktuelle savelinje**
- Støvopsugning
  - monter støvsuger til forlængerstykket R ⑦
  - ! **lad aldrig støvsugerlangen komme i kontakt med underskærmen eller savningen**
  - en støvpose (SKIL tilbehør 2610387402) kan også anvendes
- ! **brug ikke støvpose/støvsuger ved savning i metal**
- Betjening af værktøjet ⑦
  - sæt stikket i kontakten
  - hold altid håndtaget S fast med den ene hånd og håndtaget T med den anden hånd
  - placer værktøjet med forenden af fodenden fladt imod arbejdsemnet
  - ! **sørg for at savtænderne ikke griber ind i arbejdsemnet**
  - start Deres værktøj ved først at trykke knappen V (= sikkerhedsafbryder, som ikke kan låses) ind og derefter træk på afbryder W

- ! **værktøjet skal køre med max. hastighed inden savklingen berører arbejdsemnet**
- underskærmen F åbnes automatisk når savklingen berører arbejdsemnet (hæv kun skærmen manuelt ved hjælp af tappen G ved speciel savning f.eks. dyksavning)
- ! **overbelast ikke værktøjet** (anvend et let og vedvarende tryk for at undgå overophedning af savklinger og, i tilfælde af skæring af plastik, at smelte plastikmaterialet)
- ! **under arbejde, hold altid om værktøjet på de grå markerede grebsområde(r)**
- når De er færdig med savningen, sluk værktøjet ved at slippe afbryderen W
- ! **vær sikker på, at savklingen står fuldstændigt stille, førend De løfter værktøjet væk fra arbejdsemnet**

## GODE RÅD

- Hvis der anvendes en styreskinne (SKIL-tilbehør 2610Z04064) i kombination med en adapter, vil skæredybden blive reduceret med 14 mm for 90° samt for 45° snit
- Læg altid den pæneste side af arbejdsemnet nedad for at minimere splitting
- Brug kun skarpe savklinger af den korrekte type ⑧
  - kvaliteten af snittet forøges med antallet af tænder
  - hårdmetalsavklinger holder skæret op til 30 gange længere end alm. klinger
- Sidestyr Y ⑨
  - til præcise snit langs kanten af arbejdsemnet
  - kan sættes ind på begge sider af foden
- Justering af sidestyr
  - løsn knappen Z
  - justér til den ønskede savbredde ved hjælp af skalaen på sidestyret (brug savelinjevisir Q som 0-reference)
  - spænd knappen Z
- Dyksavning ⑩
  - indstil den ønskede savdybde
  - vip værktøjet fremad med savelinjevisir Q på linje med den ønskede savelinje markeret på arbejdsemnet
  - åbn underskærmen F med tappen G
  - lige inden klingens berører arbejdsemnet, start værktøjet og sænk gradvist bagparten af værktøjet ved at benytte forenden af foden som støttepunkt
  - bevæg værktøjet gradvist nedad og samtidigt fremover - så snart savklingen berører arbejdsemnet, løs tappen G
- ! **før aldrig værktøjet bagover**
- Savning af store emner ⑪
  - støt emnet tæt på snittet, enten på gulvet, bordet eller arbejdsbænken
- ! **indstil savdybden således at De saver gennem emnet og ikke gennem det som støtter emnet**
- hvis sidestyret ikke er langt nok til den ønskede savbredde, så fastgør et lige stykke træ som styr og før højre side af foden imod dette styr

## VEDLIGEHOLDELSE/SERVICE

- Dette værktøj er ikke beregnet til professionelt brug
- Hold værktøjet og ledningen ren (især ventilationshullerne)
- ! **træk stikket ud før rensning**

- Hold altid området omkring den nederste afskærmning F ③ rent (fjern støv og spåner ved at blæse det ud med trykluft eller med en børste)
- Rengør savklingen straks efter brug (specielt for harpiks og lim)
- Skulle el værktøjet trods omhyggelig fabrikation og kontrol holde op med at fungere, skal reparationen udføres af et autoriseret serviceværksted for SKIL-elektroværktøj
  - send den **uskilte** værktøjet sammen med et købsbevis til forhandleren eller nærmeste SKIL serviceværksted (adresser og reservedelstegning af værktøjet findes på [www.skil.com](http://www.skil.com))

## MILJØ

- **Elværktøj, tilbehør og emballage må ikke bortskaffes som almindeligt affald** (kun for EU-lande)
  - i henhold til det europæiske direktiv 2012/19/EF om bortskaffelse af elektriske og elektroniske produkter og gældende national lovgivning, skal brugt elværktøj indsamles separat og bortskaffes på en måde, der skåner miljøet mest muligt
  - symbolet ⑫ erindrer dig om dette, når udskiftning er nødvendig

## OVERENSSTEMMELSESERKLÆRING CE

### Rundsav 5665/5765

#### Tekniske data ①

- Vi erklærer under almindeligt ansvar, at det produkt, der er beskrevet under "Tekniske data", er i overensstemmelse med følgende standarder eller normative dokumenter: EN 60745, EN 61000, EN 55014, i henhold til bestemmelserne i direktiverne 2014/30/EU, 2006/42/EF, 2011/65/EU
- **Teknisk dossier hos:** SKIL Europe BV (PT-SEU/ENG/1), 4825 BD Breda, NL

Marijn van der Hoofden  
Operations & Engineering

Olaf Dijkgraaf  
Approval Manager

SKIL Europe BV, 4825 BD Breda, NL

16.10.2014

## STØJ/VIBRATION

- Måles efter EN 60745 er lydtrykniveau af dette værktøj 97 dB(A) og lydeffektniveau 108 dB(A) (standard deviation: 3 dB), og vibrationsniveauet \* m/s<sup>2</sup> (vektorsum for tre retninger; usikkerhed K = 1,5 m/s<sup>2</sup>)
  - \* ved savning i træ 2,6 m/s<sup>2</sup>
  - \* ved savning i metal 2,2 m/s<sup>2</sup>
- Det vibrationsniveau er målt i henhold til den standardiserede test som anført i EN 60745; den kan benyttes til at sammenligne to stykker værktøj og som en foreløbig bedømmelse af udsættelsen for vibrationer, når værktøjet anvendes til de nævnte formål
  - anvendes værktøjet til andre formål eller med andet eller dårligt vedligeholdt tilbehør, kan dette **øge** udsættelsesniveauet betydeligt

- de tidsrum, hvor værktøjet er slukket, eller hvor det kører uden reelt at udføre noget arbejde, kan **reducere** udsættelsesniveauet betydeligt
- ! **beskyt dig selv imod virkningerne af vibrationer ved at vedligeholde værktøjet og dets tilbehør, ved at holde dine hænder varme og ved at organisere dine arbejdsmønstre**

N

## Sirkelsag

5665/5765

## INTRODUKSJON

- Dette værktøjet er beregnet til å utføre langsgående og tværgående snitt med rett skjæring og gjæringsvinkel opp til 45° i tre; med tilsvarende sagblad kan det også sages ikke-jernholdige metaller, byggematerialer og kunststoff
- Dette værktøjet er ikke beregnet på profesjonell bruk
- Les og ta vare på denne brukerveiledningen ②

## TEKNISKE DATA ①

## SIKKERHET

### GENERELLE SIKKERHETSANVISNINGER

#### **⚠ OBS! Les gjennom alle advarslene og anvisningene.**

Feil ved overholdelsen av advarslene og nedenstående anvisninger kan medføre elektriske støt, brann og/eller alvorlige skader. **Ta godt vare på alle advarslene og informasjonene.** Det nedenstående anvendte uttrykket "elektroværktøy" gjelder for strømdrevne elektroværktøy (med ledning) og batteridrevne elektroværktøy (uten ledning).

### 1) SIKKERHET PÅ ARBEIDSPLASSEN

- Hold arbeidsområdet rent og ryddig.** Rotete arbeidsområder eller arbeidsområder uten lys kan føre til ulykker.
- Ikke arbeid med maskinen i eksplosjonsutsatte omgivelser – der det befinner seg brennbare væsker, gass eller støv.** Elektroværktøy lager gnister som kan antenne støv eller damper.
- Hold barn og andre personer unna når elektroværktøyet brukes.** Hvis du blir forstyrret under arbeidet, kan du miste kontrollen over maskinen.

### 2) ELEKTRISK SIKKERHET

- Støpselet til maskinen må passe inn i stikkontakten. Støpselet må ikke forandres på noen som helst måte. Ikke bruk adapterstøpsler sammen med jordede maskiner.** Bruk av støpsler som ikke er forandret på og passende stikkontakter reduserer risikoen for elektriske støt.
- Unngå kroppskontakt med jordede overflater slik som rør, ovner, komfyrer og kjøleskap.** Det er større fare ved elektriske støt hvis kroppen din er jordet.
- Hold maskinen unna regn eller fuktighet.** Dersom det kommer vann i et elektroværktøy, øker risikoen for elektriske støt.
- Ikke bruk ledningen til andre formål, f.eks. til å bære maskinen, henge den opp eller trekke den ut av stikkontakten. Hold ledningen unna varme, olje,**



- skarpe kanter eller maskindeler som beveger seg.** Med skadede eller opphopede ledninger øker risikoen for elektriske støt.
- e) **Når du arbeider utendørs med et elektroverktøy, må du kun bruke en skjoteledning som er godkjent til utendørs bruk.** Når du bruker en skjoteledning som er egnet for utendørs bruk, reduseres risikoen for elektriske støt.
- f) **Hvis det ikke kan unngås å bruke elektroverktøyet i fuktige omgivelser, må du bruke en jordfeilbryter.** Bruk av en jordfeilbryter reduserer risikoen for elektriske støt.
- 3) PERSONSIKKERHET**
- a) **Vær oppmerksom, pass på hva du gjør, gå fornuftig frem når du arbeider med et elektroverktøy. Ikke bruk maskinen når du er trett eller er påvirket av narkotika, alkohol eller medikamenter.** Et øyeblikks uoppmerksomhet ved bruk av maskinen kan føre til alvorlige skader.
- b) **Bruk personlig verneutstyr og husk alltid å bruke vernebriller.** Bruk av personlig sikkerhetsutstyr som støvmaske, sklifaste arbeidssko, hjelm eller hørselvern – avhengig av type og bruk av elektroverktøyet – reduserer risikoen for skader.
- c) **Unngå å starte verktøyet ved en feiltagelse. Forviss deg om at elektroverktøyet er slått av før du kobler det til strømmen og/eller batteriet, løfter det opp eller bærer det.** Hvis du holder fingeren på bryteren når du bærer elektroverktøyet eller kobler elektroverktøyet til strømmen i innkoblet tilstand, kan dette føre til uhell.
- d) **Fjern innstillingsverktøy eller skrunøkler før du slår på elektroverktøyet.** Et verktøy eller en nøkkel som befinner seg i en roterende maskindel, kan føre til skader.
- e) **Ikke overvurder deg selv. Sørg for å stå stødig og i balanse.** Dermet kan du kontrollere maskinen bedre i uventede situasjoner.
- f) **Bruk alltid egnede klær. Ikke bruk vide klær eller smykker. Hold hår, tøy og hansker unna deler som beveger seg.** Løstlittende tøy, smykker eller langt hår kan komme inn i deler som beveger seg.
- g) **Hvis det kan monteres støvavsug- og oppsamlingsinnretninger, må du forvisse deg om at disse er tilkoblet og brukes på korrekt måte.** Bruk av et støvavsug reduserer faren på grunn av støv.
- 4) AKTSOM HÅNTERING OG BRUK AV ELEKTROVERKTØY**
- a) **Ikke overbelast maskinen. Bruk et elektroverktøy som er beregnet til den type arbeid du vil utføre.** Med et passende elektroverktøy arbeider du bedre og sikrere i det angitte effektområdet.
- b) **Ikke bruk elektroverktøy med defekt på-/avbryter.** Et elektroverktøy som ikke lenger kan slås av eller på, er farlig og må repareres.
- c) **Trekk støselet ut av stikkkontakten og/eller fjern batteriet før du utfører innstillinger på elektroverktøyet, skifter tilbehørsdeler eller legger maskinen bort.** Disse tiltakene forhindrer en utilsiktet startung av maskinen.
- d) **Elektroverktøy som ikke er i bruk må oppbevares utilgjengelig for barn. Ikke la maskinen brukes av personer som ikke er fortrolig med dette eller ikke**

- har lest disse anvisningene.** Elektroverktøy er farlige når de brukes av uerfarne personer.
- e) **Vær nøye med vedlikeholdet av maskinen. Kontroller om bevegelige maskindeler fungerer feilfritt og ikke klemmes fast, og om deler er brukket eller skadet, slik at dette innvirker på maskinens funksjon. La skadede deler repareres før maskinen brukes.** Dårlig vedlikeholdte elektroverktøy er årsaken til mange uhell.
- f) **Hold skjæreverktøyene skarpe og rene.** Godt stelte skjæreverktøy med skarpe skjær setter seg ikke så ofte fast og er lettere å føre.
- g) **Bruk elektroverktøy, tilbehør, verktøy osv. i henhold til disse anvisningene. Ta hensyn til arbeidsforholdene og arbeidet som skal utføres.** Bruk av elektroverktøy til andre formål enn det som er angitt kan føre til farlige situasjoner.
- 5) SERVICE**
- a) **Maskinen din skal alltid kun repareres av kvalifisert fagpersonale og kun med originale reservedeler.** Slik opprettholdes maskinens sikkerhet.

## SIKKERHETSADVARSLER FOR SIRKELSAGER

### 1) SAGPROSEDYRE

- a) **FARE : Pass på at hendene ikke kommer inn i sagområdet og opp i sagbladet. Hold ekstrahåndtaket eller motorhuset fast med den andre hånden.** Når begge hendene holder sagen, kan sagbladet ikke skade hendene.
- b) **Ikke strekk hånden under arbeidsstykket.** Skjermen kan ikke beskytte deg mot bladet under arbeidsstykket.
- c) **Juster dybdeinnstillingen etter arbeidsstykket.** Halvparten av den nederste tannen på sagbladet skal være synlig på undersiden av arbeidsstykket.
- d) **Hold aldri arbeidsstykket som skal sages fast med hånden eller over benet. Du må sikre arbeidsstykket på et stabilt feste.** Det er viktig å feste arbeidsstykket godt for å minimere faren ved kroppskontakt, fastklemming av sagbladet eller hvis du mister kontrollen.
- e) **Ta kun tak i elektroverktøyet på de isolerte gripeflatene, hvis du utfører arbeid der innsatsverktøyet kan treffe på skjulte strømledninger eller den egne strømledningen.** Kontakt med en spenningsførende ledning setter også elektroverktøyet metalldele under spenning og fører til elektriske støt.
- f) **Når du sager på langs, må du allrid bruke sidestiller eller anviser for rett kant.** Det øker nøyaktigheten på sagkuttet og reduserer risikoen for at bladet skal sette seg fast.
- g) **Bruk alltid sagblad med rett størrelse og med passende festehull (f. eks. stjerne-formet eller rund).** Sagblad som ikke passer sammen med sagens montasjedeler, går rundt og fører til tap av kontrollen.
- h) **Bruk aldri bladskiver eller bolter som er skadet eller av feil type.** Bladskivene og boltene er laget spesielt for sagen, for å gi optimal ytelse og sikkerhet under bruk.
- 2) TILBAKESLAG - ÅRSAKER OG TILSVARENDE ADVARSLER**
- Tilbakeslag er en plutselig reaksjon på at sagbladet er klemt fast, sitter fast, eller er forskjøvet, slik at sagen er

ute av kontroll og løfter seg opp og ut av arbeidsstykket og beveger seg mot operatøren

- Når bladet er i klemme eller sitter helt fast fordi spaltekniven stenger, vil bladet kjøre seg fast og motoren reagerer ved å kjøre verktøyet i stor fart bakover mot operatøren
- Hvis bladet blir vridd eller skjevt i kuttet, kan tennene på bakkanten av bladet grave seg ned i overflaten på trestykket slik at bladet kommer ut av spaltekniven og hopper bakover mot operatøren
- Tilbakeslag er en følge av at verktøyet misbrukes og/eller betjenes på feil måte eller under forhold som ikke egner seg; tilbakeslag kan unngås ved å ta riktige forholdsregler som oppgitt nedenfor

a) **Hold sagen støtt med begge hendene og hold armene slik at du kan stå i mot kraften av tilbakeslaget. Stå slik at kroppen kommer på den ene eller andre siden av bladet, og ikke på linje med bladet.** Tilbakeslag kan få sagen til å hoppe bakover, men kraften i tilbakeslaget kan styres av operatøren, dersom du tar skikkelige forholdsregler.

b) **Når bladet kjører seg fast, eller når du av en eller annen grunn avbryter sagingen, friggjør bryteren og hold sagen helt stille i arbeidsstykket til bladet slutter helt å gå rundt. Forsøk aldri å trekke sagen ut av arbeidsstykket eller trekke sagen bakover mens bladet ennå roterer, eller kan det forårsake tilbakeslag.** Undersøk hvorfor bladet har kjørt seg fast og fjern årsaken til det. Unngå å skjære over nagler eller skruer.

c) **Når du starter sagen igjen i arbeidsstykket, sett sagbladet midt i spaltekniven og kontroller at sagtennene ikke biter inn i materialet.** Hvis sagbladet sitter fast, kan det bevege seg oppover eller slå tilbake fra arbeidsstykket i det sagen startes på nytt.

d) **Støtt større paneler for å redusere risikoen for tilbakeslag eller at bladet blir klemt fast.** Store paneler har en tendens til å bøye seg under sin egen vekt. Det er nødvendig å sette støtter under panelet på begge sider, like ved skjærelinjen og nær kanten av panelet.

e) **Ikke bruk et sagblad som er sløvt eller skadet.** Blad som er uslipte eller ikke skikkelig justert, kan gi smal spaltekniv som forårsaker for mye friksjon, samt tilbakeslag og tendens til at bladet setter seg fast.

f) **Bladdybde og låsespaker for skråsaging må trekkes godt til og være støe før man begynner kuttet.** Hvis bladjusteringen endrer seg under sagingen, kan det forårsake tilbakeslag eller at bladet setter seg fast.

g) **Vær spesielt forsiktig ved saging i vegger eller andre uoversiktelige områder.** Det innstikkende sagbladet kan blokkere ved saging i skjulte objekter og forårsake et tilbakeslag.

### 3) FUNKSJONER FOR UNDERSKJERM

a) **Kontroller at underskjermen er låst hver gang du bruker sagen. Ikke bruk sagen hvis underskjermen ikke beveger seg fritt og låses øyeblikkelig. Du må aldri klemme eller feste underskjermen slik at den holdes i åpen stilling.** Hvis du ved et uhell slipper sagen i golvet, kan underskjermen bli bøyd. Trekk ut støpslet av stikkkontakten, rett ut underskjermen med tilbaketrekkingshåndtaket og se til at den beveger seg fritt

og ikke berører bladet eller noen annen del, uansett vinkel og skjæredybde.

- b) **Kontroller at underskjermfjæren virker som den skal. Hvis skjermen og fjæren ikke virker som de skal, må de leveres til service før de brukes igjen.** Underskjermen kan bevege seg tregt p.g.a. deler som er skadet, seigt belegg, eller smussansamling.
- c) **Underskjermen skal bare trekkes tilbake for hånd for spesialarbeid som spaltekutt og sammensatte kutt. Hev underskjermen ved å trekke tilbake spaken, men så snart bladet går inn i arbeidsstykket, må underskjermen slippes.** For all annen saging, skal du la underskjermen virke automatisk.
- d) **Pass alltid på at underskjermen dekker bladet før du legger fra deg sagen på en benk eller på golvet.** Et ubeskyttet blad som ennå går rundt vil få sagen til å gå bakover og kutte alt som ligger i veien. Du bør vite hvor lang tid det tar før bladet stopper etter at bryteren er slått av.

### EKSTRA SIKKERHETSADVARSLER

#### GENERELL

- Verktøyet må ikke brukes av personer under 16 år
- Dette verktøyet er ikke beregnet for vannsaging
- **Ta alltid ut kontakten før du forandrer innstillinger på sagen eller skifter tilbehør**
- Bruk ikke verktøyet dersom kabel er skadet; få den skiftet ut af en anerkendt fagmand
- **Ikke bearbeid asbestholdig material** (asbest kan fremkalle kreft)
- Støv fra materialer som blyholdig maling, visse tresorter, mineraler og metall kan være skadelig (kontakt med eller inhalering av støv kan gi allergiske reaksjoner og/eller sykdommer i åndedrettsorganene for brukeren eller personer i nærheten); **bruk støvmaske og arbeid med støvfjerningsutstyr når det er mulig**
- Visse typer støv er klassifisert som kreftfremkallende (som f.eks. støv fra eik og bøk), spesielt sammen med tilsetningsstoffer for trebehandling; **bruk støvmaske og arbeid med støvfjerningsutstyr når det er mulig**
- Følg de nasjonale krav, når det gjelder støv for de materialer du ønsker å arbeide med
- Bruk kun et sagbord med en bryter som hindrer re-start av motoren ved spenningsavbrudd
- Bruk kun et sagbord med en spaltekniv

#### TILBEHØR

- SKIL kan kun garantere et feilfritt verktøy dersom original-tilbehør brukes
- Bruk kun tilbehør med et godkjent turtall som er minst like høyt som verktøyets høyeste tomgangsturtall
- **Bruk kun sagblader med minimum diameter på 170 mm, maksimum diameter på 184 mm, og spindelhull på 16 mm**
- Bruk aldri sagblader av HSS (stål)
- Bruk aldri slipe-/kappeskiver til dette verktøyet

#### FØR BRUK

- Sjekk alltid at tilført spenningen er den samme som oppgitt på verktøyets merkeplate (verktøy som er betegnet med 230V eller 240V kan også koples til et 220V strømuttak)
- Unngå skade p.g.a. skruer, spiker eller andre elementer i arbeidsstykket; fjernes før man starter jobben

- Rydd unna alle hindringer i arbeidsområdet før du begynner å sage
- **Sett fast arbeidsstykket** (et arbeidsstykke som er sikret med klemmer, sitter sikrere enn om det holdes fast for hånd)
- **Bruk egnede detektorer til å finne skjulte strøm-/gass-/vannledninger, eller spør hos det lokale el-/gass-/vannverket** (kontakt med elektriske ledninger kan medføre brann og elektrisk støt; skader på en gassledning kan føre til eksplosjon; inntrenging i en vannledning forårsaker materielle skader og kan medføre elektriske støt)
- Bruk helt utrullet og sikker skjoteledning med en kapasitet på 16 A

#### UNDER BRUK

- Støynivået under arbeid kan overskride 85 dB(A); bruk hørselvern
- Bruk aldri verktøyet uten det originale beskyttelses systemet
- Ikke forsøk å kutte ekstremt små materialer
- Ikke før sagen over hodet
- Ved fastkjøring eller ved elektriske/mekaniske problemer, slå øyeblikkelig av bryteren og dra ut støpslet
- Hvis kabelen skades eller kappes under arbeid må kabelen ikke berøres, men støpselet straks trekkes ut

#### ETTER BRUK

- Når du setter bort verktøyet må bryteren slås av, bevegelige deler må være helt stoppet
- Etter at du har slått av sagen, må du aldri stoppe blad-rotasjonen ved å føre en gjenstand mot bladet

## BRUK

- Montering av sagbladet ③
  - ! **trekk ut støpslet av stikkkontakten**
  - ta frem sekskantnøkkelen A fra oppbevaring B
  - trykk på spindellåsknappen C og hold den inne mens du fjerner bladbolten D med sekskantnøkkelen
  - ! **vent med å trykke på spindellåsknappen C til verktøyet har stanset og er i ro**
  - slipp spindellåsknappen C
  - fjern flensen E
  - åpne underskjermen F med spaken G og holde den mens du monterer sagblad med sagtenner og pil som er trykt på sagbladet pekende i samme retning som pilen på overskjermen
  - slipp underskjermen F
  - monter flensen E
  - ! **pass på at oppspenningsflatene H og flensene er helt rene og vendt mot bladet**
  - trykk på spindellåsknappen C og hold den inne mens du strammer bladbolten med sekskantnøkkelen 1/8 omdreining mer enn trukket til for hånd (sikrer at sagbladet slipper hvis det møter for stor motstand og reduserer derfor overbelastning av motoren og tilbakeslag)
  - slipp spindellåsknappen C
- Justering av kuttedyden (0-65 mm) ④
  - for optimal kvalitet på sagingen bør bladet ikke være mer enn 3 mm på undersiden av arbeidsstykket
  - løsne knott J
  - løft/senk fotplaten K inntil ønsket kuttedyde kommer til syne på skalaen ved å benytte indikatoren L
  - stram knott J

- Justering av kuttevinkel (0-45°) ⑤
  - løsne knott M
  - føre verktøyet på skrå inntil ønsket kuttevinkel kommer til syne på skalaen ved å benytte indikatoren N
  - stram knott M
  - ! **ved skråsaging vil kuttedyden ikke korrespondere med verdien på kuttedydeskalaen**
- Sjekk av 90° kuttevinkel ⑤
  - juster og stram fotplaten K på maksimum kuttedyde ④
  - juster og stram kuttevinkel på 0°
  - mål 90° vinkel mellom bladet og bunnet av fotplaten med en vinkelhake
  - dersom justering er nødvendig, løsne knott M, og bruk justeringsskruen P som vist
- Justerbar saglinjevisir Q ⑥a
  - for å føre verktøyet langs ønskede saglinjen, markert på arbeidsstykket
  - for rett saging ved 0° eller skråsaging ved 45° benytt den angående indikatorlinje
  - ! **den vide delen av fotplaten bør hvile på den delen av arbeidsstykket som har støtte**
  - kan justeres slik at du kan velge om avfallet kommer på inn- eller utsiden av bladet ⑥b
  - ! **kuttebredden er avhengig av bredden på tennene på sagbladet og ikke selve bladet**
  - ! **ta alltid et prøveutt for start for å bekrefte utseende på kuttet**
- Støvoppsuging
  - tilkople støvsuger til adapter R ⑦
  - ! **ikke la støvsugerlangen komme i kontakt med underskjermen eller selve kuttingen**
  - man bør bruke også støvpose (SKIL tilbehør 2610387402)
  - ! **bruk ikke støvposen/støvsugeren ved skjæring i metall**
- Bruk av verktøyet ⑦
  - putt støpsel i stikkkontakten
  - hold alltid håndtaket S godt fast med den ene hånden og håndtaket T godt fast med den andre hånden
  - sett verktøyet på arbeidsstykket med forsiden av fotplaten flatt ned på arbeidsstykket
  - ! **vær sikker på at sagtennene ikke fester seg i arbeidsstykket før start**
  - slå på verktøyet ved først å trykke inn knapp V (= sikkerhetsbryter som ikke kan låses) og deretter trykk inn bryter W
  - ! **verktøyet må ha nådd max hastighet før sagbladet kommer i kontakt med arbeidsstykket**
  - underskjermen F åpnes automatisk når sagbladet kommer i kontakt med arbeidsstykket (åpne bare denne manuelt med spaken G for spesielle kutt som spalteutt)
  - ! **ikke bruk makt på verktøyet** (før verktøyet lett og kontinuerlig for å unngå overoppheting av bladspissene, og ved kutting av plast, smelting av plastrmateriale)
  - ! **under arbeid, hold verktøyet alltid i grått(gråe) grepsområde(r)**
  - etter å ha fullført sagingen, slå av verktøyet ved å frigjøre bryter W
  - ! **forsikre deg om at bladet har stoppet helt før du løfter verktøyet fra arbeidsstykket**

## BRUKER TIPS

- Når du bruker styreskinne (SKIL tilbehør 2610Z04064) i kombinasjon med adapter, reduseres dybden på kuttet med 14 mm for 90° så vel som for 45° kutt
- Legg alltid den pene siden av arbeidsstykket ned for å forsikre deg om minimum splintring av materialet
- Bruk alltid skarpe sagblader av riktig type ⑧
  - kvaliteten på sagingen økes med antall tenner på sagbladet
  - hårdmetall-blader har 30 ganger lengre levetid enn vanlige blader
- Sidestiller Y ⑨
  - for å lage eksakte kutt langs arbeidsstykket
  - kan settes inn på begge sider av fotplaten
- Justering av sidestiller
  - løsne knott Z
  - juster til ønsket kuttebredde ved å benytte skalaen på sidestiller (bruk saglinjevisir Q som 0-referanse)
  - stram knott Z
- Spalteknutt ⑩
  - sett ønsket kuttedybde
  - før verktøyet på skrå fremover med saglinjevisir Q på linje med ønsket saglinje markert på arbeidsstykket
  - åpne underskjermen F med spaken G
  - akkurat før bladet treffer arbeidsstykket, start verktøyet og gradvis senk bakparten av verktøyet ved å benytte fronten av fotplaten som støttepunkt
  - beveg verktøyet gradvis nedover og samtidig fremover
  - så snart bladet går inn i arbeidsstykket, løsne spaken G
- ! ikke før verktøyet bakover**
- Kutte stor panel ⑪
  - støtt panelet nære kuttet enten på gulvet, bordet eller arbeidsbenken
- ! sett kuttedybden slik at du kutter gjennom panelet og ikke gjennom det som støtter panelet**
- derom sidestiller ikke er lang nok for ønsket sagbredde, sett fast en rett planke på arbeidsstykket som styring og før høyre side av fotplaten mot denne styring

## VEDLIKEHOLD / SERVICE

- Dette verktøyet er ikke beregnet på profesjonell bruk
- Hold alltid verktøyet og kabelen ren (spesielt ventilasjonshullene)
- ! dra ut støpselet før rengjøring**
- Hold alltid området rundt underskjermen F ③ rent (fjern støv og spon ved å blåse ut med trykkluft eller bruk en kost)
- Rengjør sagblad straks etter bruk (spesielt for kvæ og lim)
- Hvis elektroverktøyet til tross for omhyggelige produksjons- og kontrollmetoder en gang skulle svikte, må reparasjonen utføres av et autorisert serviceverksted for SKIL-elektroverktøy
  - send verktøyet i **montert** tilstand sammen med kjøpebevis til forhandleren eller nærmeste SKIL servicesenter (adresser liksom service diagram av verktøyet finner du på [www.skil.com](http://www.skil.com))

## MILJØ

- Kast aldri elektroverktøy, tilbehør og emballasje i husholdningsavfallet** (kun for EU-land)
  - i henhold til EU-direktiv 2012/19/EF om kasserte elektriske og elektroniske produkter og direktivets iværksettning i nasjonal rett, må elektroverktøy som ikke lenger skal brukes, samles separat og returneres til et miljøvennlig gjenvinningsanlegg
  - symbolet ⑫ er påtrykt som en påminnelse når utskiftning er nødvendig

## SAMSVARERKLÆRING CE

### Sirkelsag 5665/5765

#### Tekniske data ①

- Vi erklærer som eiansvarlig at produktet som beskrives under "Tekniske data" stemmer overens med følgende normer eller normative dokumenter: EN 60745, EN 61000, EN 55014, jf. bestemmelsene i direktivene 2014/30/EU, 2006/42/EF, 2011/65/EU
- Tekniske underlag hos:** SKIL Europe BV (PT-SEU/ENG1), 4825 BD Breda, NL

Marijn van der Hoofden  
Operations & Engineering

Olaf Dijkgraaf  
Approval Manager

SKIL Europe BV, 4825 BD Breda, NL

16.10.2014

## STØY/VIBRASJON

- Målt ifølge EN 60745 er lydtryknivået av dette verktøyet 97 dB(A) og lydstyrkenivået 108 dB(A) (standard deviasjon: 3 dB), og vibrasjonsnivået \* m/s<sup>2</sup> (vektorsum fra tre retninger; usikkerhet K = 1,5 m/s<sup>2</sup>)
  - \* ved skjæring i tre 2,6 m/s<sup>2</sup>
  - \* ved skjæring i metall 2,2 m/s<sup>2</sup>
- Det avgitte vibrasjonsnivået er blitt målt i samsvar med en standardisert test som er angitt i EN 60745; den kan brukes til å sammenligne et verktøy med et annet, og som et foreløpig overslag over eksponering for vibrasjoner ved bruk av verktøyet til de oppgavene som er nevnt
  - bruk av verktøyet til andre oppgaver, eller med annet eller mangelfullt vedlikeholdt utstyr, kan gi en vesentlig **økning** av eksponeringsnivået
  - tidsrommene når verktøyet er avslått eller når det går men ikke arbeider, kan gi en vesentlig **reduksjon** av eksponeringsnivået
- ! beskytt deg selv mot virkningene av vibrasjoner ved å vedlikeholde verktøyet og utstyret, holde hendene varme og organisere arbeidsmåten din**

## ESITTELY

- Koneet on tarkoitettu pituus- ja poikittaissahauksiin puuhun kiinteällä alustalla, suoralla sahasäljellä ja jirikulmalla 45° asti; vastaavia sahanteriä käyttäen voidaan sahata myös ei-rautametalleja, kevytrakennusaineita ja muovia
- Tämä työkalua ei ole tarkoitettu ammattikäyttöön
- Lue ja säilytä tämä ohjekirja ②

## TEKNISET TIEDOT ①

## TURVALLISUUS

## YLEISET TURVALLISUUSOHJEET

**⚠ HUOMIO!** Lue kaikki turvallisuus- ja muut ohjeet.

Turvallisuusohjeiden noudattamisen laiminlyönti saattaa johtaa sähköiskuun, tulipaloon ja/tai vakavaan loukkaantumiseen. **Säilytä kaikki turvallisuus- ja muut ohjeet tulevaisuutta varten.** Turvallisuusohjeissa käytetty käsite "sähkötyökalu" käsittää verkkokäyttöisiä sähkötyökaluja (verkkojohdolla) ja akkukäyttöisiä sähkötyökaluja (ilman verkkojohdtoa).

## 1) TYÖPAIKAN TURVALLISUUS

- Pidä työskentelyalue puhtaana ja hyvin valaistuna.** Työpaikan epäjärjestys tai valaisemattomat työalueet voivat johtaa tapaturmiin.
- Älä työskentele sähkötyökalulla räjähdysalttiissa ympäristössä, jossa on palavaa nestettä, kaasua tai pölyä.** Sähkötyökalu muodostaa kipinöitä, jotka saattavat sytyttää pölyn tai höyryt.
- Pidä lapset ja sivulliset loitolla sähkötyökalua käyttäessäsi.** Voit menettää laitteesi hallinnan, huomiosi suuntautuessa muualle.

## 2) SÄHKÖTURVALLISUUS

- Sähkötyökalun pistotulpan tulee sopia pistorasiaan.** Pistotulppaa ei saa muuttaa millään tavalla. Älä käytä mitään pistorasia-adaptoreita maadoitettujen sähkötyökalujen kanssa. Alkuperäisessä kunnossa olevat pistotulpat ja sopivat pistorasiat vähentävät sähköiskun vaaraa.
- Vältä koskettamasta maadoitettuja pintoja, kuten putkia, pattereita, liesiä tai jääkaappeja.** Sähköiskun vaara kasvaa, jos kehosi on maadoitettu.
- Älä aseta sähkötyökalua alttiiksi sateelle tai kosteudelle.** Veden tunkeutuminen sähkötyökalun sisään kasvattaa sähköiskun riskiä.
- Älä käytä verkkojohdtoa väärin. Älä käytä sitä sähkötyökalun kantamiseen, vetämiseen tai pistotulpan irrottamiseen pistorasiasta. Pidä johto loitolla kuumuudesta, öljystä, terävistä reunoina tai liikkuvista osista.** Vahingoittuneet tai sokeutuneet johdot kasvattavat sähköiskun vaaraa.
- Käyttäessäsi sähkötyökalua ulkona, käytä ainoastaan ulkokäyttöön soveltuvaa jatkojohtoa.**

Ulkokäyttöön soveltuvan jatkojohdon käyttö pienentää sähköiskun vaaraa.

- Jos sähkötyökalun käyttö kosteassa ympäristössä ei ole vältettävissä, tulee käyttää maavuotokatkaisijaa.** Maavuotokatkaisijan käyttö vähentää sähköiskun vaaraa.

## 3) HENKILÖTURVALLISUUS

- Ole valpas, kiinnitä huomiota työskentelyysi ja noudata tervettä järkeä sähkötyökalua käyttäessäsi. Älä käytä sähkötyökalua, jos olet väsynyt tai huumeiden, alkoholin tai lääkkeiden vaikutuksen alaisena.** Hetken tarkkaamattomuus sähkötyökalua käytettäessä, saattaa johtaa vakavaan loukkaantumiseen.
- Käytä suojavaarusteita. Käytä aina suojalaseja.** Henkilökohtaisen suojavaarustuksen käyttö, kuten pölynaamarin, luistamattomien turvakenkien, suojakypärän tai kuulonsuojaimien, riippuen sähkötyökalun lajista ja käyttötavasta, vähentää loukaantumisriskiä.
- Vältä tahatonta käynnistämistä. Varmista, että sähkötyökalu on poiskytkettynä, ennen kuin liität sen sähköverkkoon ja/tai liität akun, otat sen käteen tai kannat sitä.** Jos kannat sähkötyökalua sormi käynnistyskytkimellä tai kytket sähkötyökalun pistotulpan pistorasiaan, käynnistyskytkimen ollessa käyntiasennossa, altistat itsesi onnettomuuksille.
- Poista kaikki säätötyökalut ja ruuvitalat, ennen kuin käynnistät sähkötyökalun.** Työkalu tai avain, joka sijaitsee laitteen pyörivässä osassa, saattaa johtaa loukkaantumiseen.
- Älä ylläriivoi itseäsi. Huolehdi aina tukevasta seisoma-asennosta ja tasapainosta.** Täten voit paremmin hallita sähkötyökalua odottamattomissa tilanteissa.
- Käytä tarkoitukseen soveltuvia vaatteita. Älä käytä löysiä työvaatteita tai koruja. Pidä hiukset, vaatteet ja käsinneet loitolla liikkuvista osista.** Vältä vaatteet, korut ja pitkät hiukset voivat takertua liikkuviin osiin.
- Jos pölynimu- ja keräilylaitteita voidaan asentaa, tulee sinun tarkistaa, että ne on liitetty ja että ne käytetään oikealla tavalla.** Pölynimulaitteiston käyttö vähentää pölyn aiheuttamia vaaroja.

## 4) SÄHKÖTYÖKALUJEN KÄYTTÖ JA HOITO

- Älä ylikuormita laitetta. Käytä kyseiseen työhön tarkoitettua sähkötyökalua.** Sopivaa sähkötyökalua käyttäen työskentelet paremmin ja varmemmin tehoalueella, jolle sähkötyökalu on tarkoitettu.
- Älä käytä sähkötyökalua, jota ei voida käynnistää ja pysäyttää käynnistyskytkimestä.** Sähkötyökalu, jota ei enää voida käynnistää ja pysäyttää käynnistyskytkimellä, on vaarallinen ja se täytyy korjata.
- Irrota pistotulppa pistorasiasta, ennen kuin suoritat säätöjä, vaihdat tarvikkeita tai siirät sähkötyökalun varastoitavaksi.** Nämä turvatoimenpiteet pienentävät sähkötyökalun tahattoman käynnistysriskin.
- Säilytä sähkötyökalut poissa lasten ulottuvilta, kun niitä ei käytetä. Älä anna sellaisten henkilöiden käyttää sähkötyökalua, jotka eivät tunne sitä tai jotka eivät ole lukeneet tätä käyttöohjetta.** Sähkötyökalut ovat vaarallisia, jos niitä käyttävät kokemattomat henkilöt.

- e) **Hoida sähkötyökaluasi huolella. Tarkista, että liikkuvat osat toimivat moitteettomasti, eivätkä ole puristuksessa sekä, että siinä ei ole murtuneita tai vahingoittuneita osia, jotka saattaisivat vaikuttaa haitallisesti sähkötyökalan toimintaan. Anna korjauttaa mahdolliset viat ennen käyttöönottoa.** Monen tapaturman syyt löytyvät huonosti huolletuista laitteista.
- f) **Pidä leikkausterät terävinä ja puhtaina.** Huolellisesti hoidetut leikkaustyökäluet, joiden leikkausreunat ovat teräviä, eivät tartu helposti kiinni ja niitä on helpompi hallita.
- g) **Käytä sähkötyökaluja, tarvikkeita, vaihtotyökaluja jne. näiden ohjeiden mukaisesti. Ota tällöin huomioon työolosuhteet ja suoritettava toimenpide.** Sähkötyökalan käyttö muuhun kuin sille määrättyyn käyttöön, saattaa johtaa vaarallisiin tilanteisiin.
- 5) HUOLTO**
- a) **Anna koulutettujen ammattihenkilöiden korjata sähkötyökaluasi ja hyväksy korjauksiin vain alkuperäisiä varaosia.** Täten varmistat, että sähkötyökalu säilyy turvallisena.

## PYÖRÖSAHOJEN TURVALLISUUSOHJEET

### 1) SAHAUSMENETELMÄ

- a) **VAARA :** Pidä kädet loitolla sahausalueelta ja sahanterästä. Pidä toinen käsi lisäkavvasa tai moottorikotelossa. Kun molemmat kädet pitelevät pyörösahaa, sahanterä ei pysty vahingoittamaan niitä.
- b) **Älä kurota työkappaleen alapuolelle.** Suojus ei pysty suojaamaan sinua terältä työkappaleen alapuolella.
- c) **Säädä sahausrypyys sahattavan materiaalin paksuuden mukaiseksi.** Työkappaleen alapuolelta tulisi näkyä enimmillään hampaan verran sahanterää.
- d) **Älä koskaan pidä sahattavaa työkappaletta kädessä tai jalkojen päällä. Tue työkappaletta tukevaa alustaa vasten.** On tärkeää kiinnittää työkappale hyvin, jotta kosketus kehoon, sahanterän jääminen puristukseen ja hallinnan menettäminen estyisi.
- e) **Tartu sähkötyökaluun ainoastaan eristetyistä pinnoista, tehdessäsi työtä, jossa saattaisit osua piilossa olevaan sähköjohtoon tai sahan omaan sähköjohtoon.** Kosketus jännitteeseen johtoon saattaa myös sähkötyökalan metalliosat jännitteisiksi ja johtaa sähköiskuun.
- f) **Kuituja pitkin sahattaessa käytä aina sahausohjainta tai suorareunaista ohjainta.** Tämä parantaa sahausken tarkkuutta ja vähentää terän kiinnitarttumista.
- g) **Käytä aina oikean kokoisia ja oikealla kiinnitysreiällä varustettuja sahanteriä (esim. tähdenmuotoinen tai pyöreä).** Sahanterät, jotka eivät sovi sahan asennusosiin pyörivät epäkeskeisesti ja johtavat sahan hallinnan menettämiseen.
- h) **Älä koskaan käytä vaurioituneita tai vääriä terän välirenkaita tai pultteja.** Terän välirenkaat ja pultti on suunniteltu erityisesti sahaasi varten optimin suoritusastan ja turvallisen toiminnan varmistamiseksi.
- 2) TAKAPOTKU - SYY JA VASTAAVAT OHJEET**
- Takapotku on äkillinen reaktio puristettuun, kiinnitartuneeseen tai väärin kohdistettuun sahanterään nähdessä saaden aikaan kontrollin menettäneen sahan nousun ylös ja ulos työkappaleesta kohti käyttäjää

- Kun terä on puristettu tai kiinnitartunut tiukasti halkaisun sulkeutuessa, terä pysähtyy ja moottorin reaktio ajaa laitteen nopeasti taaksepäin käyttäjää kohti
  - Jos terä vääntyy tai on kohdistettu väärin sahauskeeseen, terän takareunassa olevat hampaat voivat pureutua puun yläpintaan saaden aikaan terän nousun halkaisusta ja hypähdyksen taaksepäin kohti käyttäjää
  - Takapotkun aiheuttaa työkalun väärinkäyttö ja/tai väärät toimintamenetelmät; se voidaan välttää ryhtymällä seuraavassa kuvattuihin varotoimiin
- a) **Pidä kädensijasta/-sijoista tiukasti kiinni ja pidä vartaloasi ja käsivartesi asennossa, jossa voit kontrolloida mahdollisesta takapotkusta aiheutuvaa voimaa. Pidä vartaloasi sahanterälinjan jommalla kummalla puolella, älä sahalinjan tasalla.** Mahdollinen takapotku saattaa aiheuttaa sahan hypäämisen taaksepäin, mutta tämä on käyttäjän hallittavissa, mikäli siihen varaudutaan ja laitteesta pidetään oikeaoppisesti kiinni.
- b) **Kun terä on tarttunut kiinni tai kun sahaus keskeytetään jostakin syystä, vapautu liipaisin ja pidä saha liikkumattomana materiaalissa, kunnes terä pysähtyy täysin. Älä koskaan yritä poistaa sahaa työkappaleesta tai vetää sahaa taaksepäin terän liikkua, muuten voi aiheutua takapotku.** Tutki tapausta ja ryhdy tarvittaviin toimenpiteisiin terän kiinnitarttumisen aiheuttavan syyn eliminoimiseksi. Vältä sahausta nauloihin tai ruuveihin.
- c) **Kun saha käynnistetään uudelleen työkappaleeseen, aseta terä keskelle halkaisua ja tarkista, että sahan terät eivät ole kiinni materiaalissa.** Jos sahan terä on tarttunut kiinni, se voi ponnahtaa ylös tai saada aikaan takapotkun työkappaleesta saha uudelleenkäynnistettäessä.
- d) **Tue suuret paneelit terän puristus- ja takapotkurisikin minimoimiseksi.** Suuret paneelit pyrkivät painumaan oman painonsa voimasta, tuet on asetettava molemmille puolille paneelin sahauslinjan ja paneelin reunan lähelle.
- e) **Älä käytä tylsiä tai vaurioituneita teriä.** Teroittamattomat tai väärin asetetut terät aiheuttavat kapean halkaisun seurauksena liiallinen kitka, terän tartunta ja takapotku.
- f) **Terän syvyyden ja vinouden säädön lukitusvipujen on oltavat tiukalla ja turvallisia ennen sahausken suorittamista.** Jos terän säätö muuttuu sahausken aikana, seurauksena voi olla kiinnitarttuminen ja takapotku.
- g) **Ole erityisen varovainen sahausissa seiniin tai muihin alueisiin, joiden taustaa tai rakennetta et pysty näkemään.** Sahanterä saattaa upotessaan osua piilossa oleviin kohteisiin, jotka aiheuttavat takapotkun.
- 3) ALASUOJUKSEN TOIMINTA**
- a) **Tarkista aina ennen käyttöä, että alasuojus on suljettu kunnolla. Älä käytä sahaa, jos alasuojus ei liiku vapaasti eikä sulkeudu välittömästi. Älä koskaan kiilaa tai sido alasuojusta "auki"-asentoon.** Jos saha pudotetaan vahingossa, alasuojus voi taipua. Vedä pistoke pistorasiasta, nosta alasuojus kokoonvedettävää kahvaa käyttämällä ja varmista, että se liikkuu esteettä eikä kosketa terää eikä muita osia sahauskulmista ja syvyyksistä riippumatta.

- b) **Tarkista alasuojuksen jousen toiminta. Jos suojus ja jousi eivät toimi kunnolla, ne on huollettava ennen käyttöä.** Alasuojuksen toiminta voi hidastua vaurioituneiden osien, tahmaisen liian tai liian kerääntymisen johdosta.
- c) **Alasuojus on kokoonvedettävä manuaalisesti vain erityissahaauksia varten, kuten upotussahaus tai sekasahaus. Nosta alasuojus kokoonvedettävää kahvaa käyttämällä ja alasuojus on vapautettava heti kun terä syötty materiaaliin.** Kaikissa muissa sahaustoimissa alasuojus toimii automaattisesti.
- d) **Tarkista aina, että alasuojus peittää terän ennen sahan asettamista työpenkille tai lattialle.** Suojaamaton, liukuva terä saa sahan kulkemaan taaksepäin ja sahaamaan kaiken sen tielle tulevan materiaalin. Muista, että terän pysähtyminen vie jonkin aikaa kytkimen vapauttamisen jälkeen.

## LISÄVARO-TURVALLISUUSOHJEITA

### YLEISTÄ

- Tätä työkalua saavat käyttää vain 16 vuotta täyttäneet henkilöt
- Tämä saha ei sovellu märkäsahaukseen
- **Irrota aina pistotulppa pistorasiasta, ennen kuin suoritat laitteelle mitään säätöjä tai vaihdat tarviketta**
- Älä käytä työkalua, kun johto on vioittunut; vaan toimita se valtuutettuun huoltoliikkeeseen
- **Älä koskaan työstä asbestipitoista ainetta** (asbestia pidetään karsinogeenisena)
- Materiaaleista, kuten lyijypitoinen maali, jotkut puulajit, mineraalit ja metalli, tuleva pöly voi olla vahingollista (kosketuksiin joutuminen pölyn kanssa tai sen sisään hengittäminen voi aiheuttaa hengittäjälle tai sivustakatsojille allergiareaktioita ja/tai hengitysvaivoja); **käytä pölynaamaria ja työskentele pölynpoistolaitteen kanssa, kun sellainen on liitettävissä**
- Tietynyyppiset pölyt on luokiteltu karsinogeenisiksi (kuten tammi- ja pyökkipöly) erityisesti puun käsittelyyn käytettävien lisäaineiden yhteydessä; **käytä pölynaamaria ja työskentele pölynpoistolaitteen kanssa, kun sellainen on liitettävissä**
- Noudata maakohtaisia pölyyn liittyviä sääntöjä
- Käytä ainoastaan sahauspöytää, jossa on kytkin, joka estää moottorin uudelleen käynnistymisen sähkökatkon jälkeen
- Käytä ainoastaan sahauspöytää, jossa on halkaisukilaa

### VARUSTEET

- SKIL pystyy takaamaan työkalun moitteettoman toiminnan vain, kun käytetään alkuperäisiä tarvikkeita
  - Käytä vain tarvikkeita, joiden sallittu kierrosluku on vähintään yhtä suuri kuin laitteen suurin tyhjäkäyntikierrosluku
  - **Käytä ainoastaan sahanteriä, joiden vähimmäishalkaisija on 170 mm, enimmäishalkaisija 184 mm ja karan aukko 16 mm**
  - Älä koskaan käytä pikateräksestä tehtyjä sahanteriä
  - Älä käytä hionta- tai jyräntälevyjä tämän koneen kanssa
- ### ENNEN KÄYTTÖÄ
- Tarkista aina, että syöttöjännite on sama kuin työkalun nimiltaan osoittama jännite (työkalut, joiden jännitetaso on 230V tai 240V, voidaan kytkeä myös 220V tason jännitteeseen)

- Vältä vaaralliset vahingot, jotka voivat aiheutua nauloista, ruuveista tai muista aineista työstettävissä materiaalissa; poista ne ennen työskentelyn aloittamista
- Poista kaikki esteet sahauslinjan ylä- ja alapuolelta ennen sahausta
- **Kiinnitä työstettävä kappale** (kiinnittimeen tai puristimeen kiinnitetty työstettävä kappale pysyy tukevammin paikoillaan kuin käsin pidettäessä)
- **Käytä sopivia etsintälaitteita piilossa olevien syöttöjohtojen paikallistamiseksi, tai käänny paikallisen jakeluyhtiön puoleen** (kosketus sähköjohtoon saattaa johtaa tulipaloon ja sähköiskuun; kaasuputken vahingoittaminen saattaa johtaa räjähdyksen; vesijohtoon tunkeutuminen aiheuttaa aineellista vahinkoa tai saattaa johtaa sähköiskuun)
- Käytä täysin rullaamattomia ja turvallisia jatkejohtoja, joiden kapasiteetti on 16 ampeeria

### KÄYTÖN AIKANA

- Työskenneltäessä melutaso saattaa ylittää 85 dB(A); jolloin suositellaan kuulosuojaimien käyttöä
- Älä koskaan käytä konetta ilman alkuperäisiä suojarusteita
- Älä sahaa pieniä työkappaleita
- Älä käytä sahaa pään yläpuolella
- Jos saha juuttuu kiinni tai jos huomaa siinä sähköisen tai mekaanisen vian, sulje se heti ja irrota pistotulppa pistorasiasta
- Jos sähköjohto vahingoittuu tai katkeaa työn aikana ei johtoa saa koskettaa, vaan pistotulppa on välittömästi irrotettava pistorasiasta

### KÄYTÖN JÄLKEEN

- Kun panet koneen pois, sammuta moottori ja varmista, että kaikki liikkuvat osat ovat pysähtyneet
- Sammutettuasi pyörösahasi älä koskaan pysäytä sahanteriä painamalla sitä siruttaissuunnassa

## KÄYTTÖ

- Sahanteriä kiinnittäminen ③
- ! **vedä pistoke pistorasiasta**
- ota kuusiokoloavain A pidikkeestä B
- paina karanlukituspainiketta C ja pidä sitä painettuna samalla kun irrotat teräpultin D kuusiokoloavaimella
- ! **paina karanlukituspainiketta C vain sahan ollessa pysähdyksissä**
- vapauta karanlukituspainike C
- poista laippa E
- avaa alasuoja F vipusta G ja pidä siitä kiinni kiinnittäessäsi terää niin että sahan hampailla varustettu terä ja sahan terään merkitty nuoli osoittavat samaan suuntaan kuin yläsuojuksella oleva nuoli
- vapauta alasuojus F
- kiinnitä laippa E
- ! **varmista, että laippojen puristuspinna H ovat täysin puhtaat ja että ne osoittavat kohti terää**
- paina karanlukituspainiketta C ja pidä sitä painettuna samalla kun kiristät terän pulttia kuusiokoloavaimella 1/8 kierroksen verran olemaan sormikireyttä tiukemmalla (varmistaa, että saha ei vahingoitu silloin, kun terään kohdistuu voimakas rasitus tai takapotku)
- vapauta karanlukituspainike C

- Sahaussyvyyden asetus (0-65 mm) ④
  - jotta saataisiin paras mahdollinen sahauslaatu, sahanterä saa ulottua työkappaleen alapuolelle korkeintaan 3 mm
  - vapauta nuppia J
  - nosta/laske pohjalevyä K, kunnes haluamasi sahausussyvyys näkyy asteikon osoittimella L
  - kiristä nuppia J
- Sahauskulman asetus (0-45°) ⑤
  - vapauta nuppia M
  - kallista työkalua, kunnes haluamasi sahauskulman näkyy asteikon osoittimella N
  - kiristä nuppia M

**! kun sahataan viistoreunaa, sahausussyvyys ei vastaa sahausussyvyyden asteikolla näkyvää arvoa**
- 90°:n sahauskulman tarkistus ⑤
  - säädä ja kiristä pohjalevy K maksimisahaussyvyyteen ④
  - säädä ja kiristä sahauskulma 0°:een
  - tarkista terän ja pohjalevyn välinen 90°:n kulma suorakulman avulla
  - jos säätö on tarpeen, vapauta nuppia M ja käytä säätöruuvia P kuvassa näkyvällä tavalla
- Säädettävä sahauslinjan osoitin Q ⑥a
  - ohjaa sahaa haluttua sahauslinjaa pitkin, joka on merkitty työkappaleeseen
  - käytä suoraa 0°:n ja viistoa 45°:n sahausta varten vastaavaa osoitinlinjaa

**! pohjalevyn leveän osan pitäisi sijaita työkappaleen tuetun osan päällä**

  - voidaan säätää niin että pystyt suorittamaan valinnan riippuen siitä, onko jäteaines terän sisä- vai ulkopuolella ⑥b

**! sahauksen leveyden määrää terän hampaiden leveys eikä terän rungon leveys**

**! suorita aina ensin koesahaus tarkistaaksesi todellisen sahauslinjan**
- Pölynimu
  - liitä pölynimuri liitoskappaleeseen R ⑦

**! varmista, että pölymurin letku ei pääse häiritsemään alasuojaa eikä sahausta**

  - voidaan käyttää pölypussin kanssa (SKIL tarkikkeita 2610387402)

**! älä käytä pölypussi/pölynimuria kun sahaat metalleja**
- Työkalan käyttö ⑦
  - aseta pistotulppa pistorasiaan
  - pidä aina lujasti yhdellä kädellä kahvasta S ja toisella kädellä kahvasta T
  - aseta saha työkappaleelle siten, että sen pohjalevyn etusivu lepää työkappaleen päällä

**! varmista, etteivät sahanterän hampaat ole kosketuksissa työkappaleeseen**

  - käynnistä saha painamalla ensin nuppia V (= turvakytin, jota ei voida lukita) ja sen jälkeen vetämällä kytkimestä W

**! koneen pitää käydä täysillä kierroksilla ennen sahanterän kosketusta työstettävään kappaleeseen**

  - alasuoja F avautuu automaattisesti, kun sahanterä koskettaa työkappaletta (alasuoja avataan käsin

vivusta G vain erikoissahausksia, kuten esim. upotussahausta, varten)

- ! älä liikuta työkalua väkisin** (paina sitä kevyesti ja jatkuvasti välttääksesi terän kärkien ylikuumentumisen, ja jos sahaat muovia, muovin sulamisen)
- ! pidä työkalusta kiinni aina työskentelyn aikana harmaan värisestä kädensija(oista)**
- kun työ on suoritettu, sulje saha kytkimestä W
- ! varmista, että terä on täysin pysähtynyt, ennen kuin irrotat sen työkappaleesta**

## VINKKEJÄ

- Käytettäessä ohjauskiskoa (SKIL-lisävaruste 2610Z04064) yhdessä sovittimen kanssa sahauslinjan syvyys pienenee 14 mm:llä sekä 90° että 45° sahauslinjassa
- Käännä aina työkappaleen parempi puoli alaspäin, jotta reunan repeäminen olisi mahdollisimman vähäistä
- Käytä vain oikeantyyppisiä teräviä sahanteräiä ⑧
  - sahauksen laatu riippuu hammastuksen tiheydestä
  - kovametallikärkiset terät pysyvät terävinä jopa 30 kertaa kauemmin kuin tavalliset sahanterät
- Sivuohjain Y ⑨
  - tarkkoihin sahausksiin työkappaleen reunan suunnassa
  - voidaan kiinnittää pohjalevyn molemmille puoleille

Sivuohjaimen säätö

  - vapauta nuppia Z
  - aseta haluamasi sahausleveys käyttämällä suuntaohjaimen asteikkoaa (käytä sahauslinjan osoitinta Q 0-arvon osoittimena)
  - kiristä nuppia Z
- Upotussahaus ⑩
  - aseta haluamasi sahausussyvyys
  - kallista työkalua eteenpäin siten, että sahauslinjan osoitin Q yhtyy haluamaasi sahauslinjaan, joka on merkitty työkappaleeseen
  - avaa alasuoja F vivusta G
  - juuri ennen kuin terä uppoo työkappaleeseen, käynnistä saha ja laske alas asteittain sen takaosaa käyttäen pohjalevyn etuosaa tukipisteenä
  - laske sahaa asteittain alaspäin vieden sitä samalla eteenpäin
  - kun terä syötty materiaaliin, vapauta vivu G

**! älä koskaan vedä sahaa taaksepäin**
- Suurten levyjen sahaaminen ⑪
  - aseta levy ennen sahausta lattialle, pöydälle tai työpenkkiin

**! aseta sahausussyvyys siten, että sahaus tapahtuu levyn läpi eikä osu sen tukialustaan**

  - jos sivuohjain ei salli halutun levyistä sahausta, kiinnitä suora puupala työkappaleeseen ohjaimeksi niin, että pohjalevyn oikea puoli tulee tätä ohjainta vasten

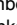
## HOITO / HUOLTO

- Tätä työkalua ei ole tarkoitettu ammattikäyttöön
- Pidä työkalu ja johto puhtaina (varmista erityisesti ilmanvaihtoreiät puhtaana)
- ! irrota liitosjohto aina puhdistuksen ajaksi pistorasiasta**
- Pidä alemman suojuksen F ③ ympäristö aina puhtana (poista pöly ja lastut puhaltamalla paineilmalla tai harjalla)



- Puhdista sahanterä välittömästi käytön jälkeen (erityisesti pihkasta ja liimasta)
- Jos sähkötyökalussa, huolellisesta valmistuksesta ja koestusmenetelystä huolimatta esiintyy vikaa, tulee korjaus antaa SKIL sopimushuollon tehtäväksi
  - toimita työkalu sitä osiin **purkamatta** lähimpään SKIL-huoltoon (osoitteet ja työkalun huoltokaava ovat tarjolla web-osoitteessa [www.skil.com](http://www.skil.com)) ostotodiste mukaan liitettynä

## YMPÄRISTÖNSUOJELU

- **Älä hävitä sähkötyökalua, tarvikkeita tai pakkausta tavallisen kotitalousjätteen mukana** (koskee vain EU-maita)
  - vanhoja sähkö- ja elektroniikkalaitteita koskevan EU-direktiivin 2012/19/ETY ja sen maakohtaisten sovellusten mukaisesti käytetyt sähkötyökalut on toimitettava ongelmajätteen keräyspisteeseen ja ohjattava ympäristöstävälliseen kierrätykseen
  - symboli  muistuttaa tästä, kun käytöstä poisto tulee ajankohtaiseksi

## VAATIMUSTEN- MUKAISUUSVAKUUTUS

Käsipyörösaha 5665/5765

Tekniset tiedot 

- Vakuutamme yksin vastaavamme siitä, että kohdassa "Tekniset tiedot" selostettu tuote vastaa seuraavia standardeja tai standardoituja asiakirjoja: EN 60745, EN 61000, EN 55014 direktiivien 2014/30/EU, 2006/42/EY, 2011/65/EU määräysten mukaan
- **Tekninen tiedosto kohdassa:** SKIL Europe BV (PT-SEU/ENG1), 4825 BD Breda, NL

Marijn van der Hoofden  
Operations & Engineering

Olaf Dijkgraaf  
Approval Manager

SKIL Europe BV, 4825 BD Breda, NL

16.10.2014

## MELU/TÄRINÄ

- Mitattuna EN 60745 mukaan työkalun melutaso on 97 dB(A) ja yleensä työkalun äänen voimakkuus on 108 dB(A) (keskihajonta: 3 dB), ja tärinän voimakkuus \* m/s<sup>2</sup> (kolmen suunnan vektorisumma; epävarmuus K = 1,5 / m/s<sup>2</sup>)
  - \* puun sahattaessa 2,6 m/s<sup>2</sup>
  - \* metallin sahattaessa 2,2 m/s<sup>2</sup>
- Tärinäsaiteilytaso on mitattu standardin EN 60745 mukaisen standarditestin mukaisesti; sitä voidaan käyttää verrattaessa yhtä laitetta toiseen sekä alustavana tärinälle altistumisen arviona käytettäessä laitetta manituissa käyttötarkoituksissa
  - laitteen käyttö eri käyttötarkoituksiin tai erilaisten tai huonosti ylläpidettyjen lisälaitteiden kanssa voi **lisätä** merkittävästi altistumistasoa


- laitteen ollessa sammuksissa tai kun se on käynnissä, mutta sillä ei tehdä työtä, altistumistaso voi olla huomattavasti **pienempi**
- ! **suojaudu tärinän vaikutuksilta ylläpitämällä laite ja sen lisävarusteet, pitämällä kädet lämpiminä ja järjestämällä työmenetelmät**

E

Sierra circular

5665/5765


## INTRODUCCIÓN

- Esta herramienta ha sido proyectada para efectuar cortes longitudinales y transversales rectos y con un ángulo de inglete hasta 45° en madera; al emplear las hojas de sierra correspondientes pueden aserrarse también materiales no férricos, materiales de construcción ligeros y materiales sintéticos
- Esta herramienta no está concebida para uso profesional
- Lea y conserve este manual de instrucciones 

## DATOS TÉCNICOS

## SEGURIDAD

### INSTRUCCIONES GENERALES DE SEGURIDAD

 **¡ATENCIÓN!** Lea íntegramente estas advertencias de peligro e instrucciones. En caso de no atenderse a las advertencias de peligro e instrucciones siguientes, ello puede ocasionar una descarga eléctrica, un incendio y/o lesión grave. **Guardar todas las advertencias de peligro e instrucciones para futuras consultas.** El término "herramienta eléctrica" empleado en las siguientes advertencias de peligro se refiere a herramientas eléctricas de conexión a la red (con cable de red) y a herramientas eléctricas accionadas por acumulador (o sea, sin cable de red).

### 1) SEGURIDAD DEL PUESTO DE TRABAJO

- Mantenga limpia y bien iluminada su área de trabajo.** El desorden o una iluminación deficiente en las áreas de trabajo pueden provocar accidentes.
- No utilice la herramienta eléctrica en un entorno con peligro de explosión, en el que se encuentren combustibles líquidos, gases o material en polvo.** Las herramientas eléctricas producen chispas que pueden llegar a inflamar los materiales en polvo o vapores.
- Mantenga alejados a los niños y otras personas de su área de trabajo al emplear la herramienta eléctrica.** Una distracción le puede hacer perder el control sobre la herramienta.

### 2) SEGURIDAD ELÉCTRICA

- El enchufe de la herramienta debe corresponder a la toma de corriente utilizada. No es admisible modificar el enchufe en forma alguna. No emplear adaptadores en herramientas dotadas con una toma de tierra.** Los enchufes sin modificar adecuados a las respectivas tomas de corriente reducen el riesgo de una descarga eléctrica.

- b) Evite que su cuerpo toque partes conectadas a tierra como tuberías, radiadores, cocinas y refrigeradores. El riesgo a quedar expuesto a una descarga eléctrica es mayor si su cuerpo tiene contacto con tomas de tierra.
- c) No exponga las herramientas eléctricas a la lluvia o a condiciones de humedad. Existe el peligro de recibir una descarga eléctrica si penetran líquidos en la herramienta.
- d) No utilice el cable de red para transportar o colgar la herramienta, ni tire de él para sacar el enchufe de la toma de corriente. Mantenga el cable de red alejado del calor, aceite, esquinas cortantes o piezas móviles. Los cables de red dañados o enredados pueden provocar una descarga eléctrica.
- e) Al trabajar con la herramienta eléctrica en la intemperie utilice solamente cables de prolongación homologados para su uso en exteriores. La utilización de un cable de prolongación adecuado para su uso en exteriores reduce el riesgo de una descarga eléctrica.
- f) Si el funcionamiento de una herramienta eléctrica en un lugar húmedo fuese inevitable, utilice un cortacircuito de fuga a tierra. El uso de un cortacircuito de fuga a tierra reduce el riesgo de descarga eléctrica.

### 3) SEGURIDAD DE PERSONAS

- a) Esté atento y emplee la herramienta con prudencia. No utilice la herramienta eléctrica si estuviese cansado, ni bajo los efectos de alcohol, drogas o medicamentos. El no estar atento durante el uso de una herramienta eléctrica puede provocar serias lesiones.
- b) Utilice un equipo de protección personal y en todo caso unas gafas de protección. El riesgo a lesionarse se reduce considerablemente si, dependiendo del tipo y la aplicación de la herramienta eléctrica empleada, se utiliza un equipo de protección adecuado como una mascarilla antipolvo, zapatos de seguridad con suela antideslizante, casco, o protectores auditivos.
- c) Evite una puesta en marcha fortuita. Asegurarse de que la herramienta eléctrica esté desconectada antes de conectarla a la toma de corriente y/o al montar el acumulador, al recogerla, y al transportarla. Si transporta la herramienta eléctrica sujetándola por el interruptor de conexión/desconexión, o si introduce el enchufe en la toma de corriente con la herramienta eléctrica conectada, ello puede dar lugar a un accidente.
- d) Retire las herramientas de ajuste o llaves fijas antes de conectar la herramienta eléctrica. Una herramienta o llave colocada en una pieza rotativa puede producir lesiones graves al accionar la herramienta eléctrica.
- e) Sea precavido. Trabaje sobre una base firme y mantenga el equilibrio en todo momento. Ello le permitirá controlar mejor la herramienta eléctrica en caso de presentarse una situación inesperada.
- f) Lleve puesta una vestimenta de trabajo adecuada. No utilice vestimenta amplia ni joyas. Mantenga su pelo, vestimenta y guantes alejados de las piezas móviles. La vestimenta suelta, las joyas y el pelo largo se pueden enganchar con las piezas en movimiento.

- g) Siempre que sea posible utilizar equipos de aspiración o captación de polvo, asegúrese que éstos estén montados y que sean utilizados correctamente. El empleo de estos equipos reduce los riesgos derivados del polvo.

### 4) CUIDADO Y UTILIZACIÓN DE HERRAMIENTAS ELÉCTRICAS

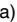
- a) No sobrecargue la herramienta. Use la herramienta prevista para el trabajo a realizar. Con la herramienta adecuada podrá trabajar mejor y con mayor seguridad dentro del margen de potencia indicado.
- b) No utilice herramientas con un interruptor defectuoso. Las herramientas que no se puedan conectar o desconectar son peligrosas y deben repararse.
- c) Saque el enchufe de la red y/o desmonte el acumulador antes de realizar un ajuste en la herramienta eléctrica, cambiar de accesorio o al guardar la herramienta eléctrica. Esta medida preventiva reduce el riesgo de conectar accidentalmente la herramienta.
- d) Guarde las herramientas fuera del alcance de los niños y de las personas que no estén familiarizadas con su uso. Las herramientas utilizadas por personas inexpertas son peligrosas.
- e) Cuide sus herramientas con esmero. Controle si funcionan correctamente, sin atascarse, las partes móviles de la herramienta, y si existen partes rotas o deterioradas que pudieran afectar al funcionamiento de la herramienta. Si la herramienta eléctrica estuviese defectuosa haga repararla antes de volver a utilizarla. Muchos de los accidentes se deben a herramientas con un mantenimiento deficiente.
- f) Mantenga los útiles limpios y afilados. Los útiles mantenidos correctamente se dejan guiar y controlar mejor.
- g) Utilice herramientas eléctricas, accesorios, útiles, etc. de acuerdo con estas instrucciones, teniendo en cuenta las condiciones de trabajo y la tarea a realizar. El uso de herramientas eléctricas para trabajos diferentes de aquellos para los que han sido concebidas puede resultar peligroso.

### 5) SERVICIO

- a) Únicamente haga reparar su herramienta eléctrica por un profesional, empleando exclusivamente piezas de repuesto originales. Solamente así se mantiene la seguridad de la herramienta eléctrica.

### INSTRUCCIONES DE SEGURIDAD PARA SIERRAS CIRCULARES

#### 1) PROCEDIMIENTOS DE SERRADO

- a)  DANGER : N'approchez pas les mains de la zone de coupe et de la lame. Gardez la deuxième main sur la poignée auxiliaire ou sur le boîtier du moteur. Si les deux mains tiennent la scie, elles ne peuvent pas être coupées par la lame.
- b) No meta la mano debajo de la pieza de trabajo. La guarda no puede protegerle contra la hoja debajo de la pieza de trabajo.
- c) Ajuste la profundidad de corte al grosor de la pieza de trabajo. Por debajo de la pieza de trabajo debe sobresalir al menos un diente de la hoja de sierra.

- d) **Jamás sujete la pieza de trabajo con la mano o colocándola sobre sus piernas. Fije la pieza de trabajo sobre una plataforma estable.** Es importante que la pieza de trabajo quede bien sujeta para reducir el riesgo a accidentarse, a que se atasque la hoja de sierra, o a perder del control sobre la herramienta.
- e) **Únicamente sujete la herramienta eléctrica por las empuñaduras aisladas al realizar trabajos en los que el útil pueda tocar conductores eléctricos ocultos o el propio cable della herramienta.** El contacto con conductores portadores de tensión puede hacer que las partes metálicas della herramienta le provoquen una descarga eléctrica.
- f) **Al aserrar con corte longitudinal utilice siempre una guía de borde recto.** Esto mejora la precisión del corte y reduce las probabilidades de que la hoja se atasque.
- g) **Siempre emplee hojas de sierra de dimensiones correctas, cuyo orificio se corresponda con el alojamiento en la brida de apoyo (romboidal o redondo).** Las hojas de sierra que no ajusten correctamente en los elementos de acoplamiento a la sierra, giran excéntricas y pueden hacerle perder el control sobre la sierra.
- h) **No utilice arandelas o pernos de hoja dañados o incorrectos.** Las arandelas y el perno de la hoja fueron diseñados especialmente para su sierra, para proporcionar un rendimiento y una seguridad de funcionamiento óptimos.

## 2) RETROCESO - CAUSAS Y ADVERTENCIAS AL RESPECTO RETROCESO

- El retroceso es una reacción repentina producida en una hoja de sierra mal alineada, atascada o enganchada, que causa que una sierra incontrolada se levante y salga de la pieza de trabajo y salte hacia el operario
- Cuando la hoja se engancha o queda atrapada debido a que el corte de la sierra se cierra, la hoja se atasca y la reacción del motor impulsa la unidad rápidamente hacia atrás y contra el operador
- Si la hoja se tuerce o queda mal alineada en el corte, los dientes del borde posterior de la sierra pueden clavarse en la superficie superior de la madera haciendo que la hoja se salga del corte y salte hacia atrás y contra el operador
- La acción de retroceso es causada por la utilización incorrecta de la herramienta y los procedimientos o condiciones operativas incorrectas y puede evitarse tomando las precauciones apropiadas, que se describen a continuación
- a) **Mantenga la sierra bien agarrada con ambas manos y posicione los brazos para resistir las fuerzas de la acción de retroceso. Posicione el cuerpo a cualquier lado de la hoja, pero no alineado con la hoja.** La acción de retroceso podría causar que la sierra saltara hacia atrás, pero las fuerzas de la acción de retroceso pueden ser controladas por el operario si toma las precauciones apropiadas.
- b) **Cuando la hoja está atascada o cuando se interrumpe un corte por cualquier razón, deje de pulsar el gatillo y sujete la sierra en el material hasta que la hoja se pare completamente. Nunca intente retirar la hoja de la pieza de trabajo ni tire de la sierra mientras la hoja está en movimiento o**

### puede producirse una acción de retroceso.

- Investigue y tome medidas correctivas para eliminar la causa del atasco de la hoja. Evite cortar clavos o tornillos.
  - c) **Cuando vuelva poner en marcha una hoja en la pieza de trabajo, centre la hoja de la sierra en el corte y compruebe que los dientes de la sierra no estén enganchados en el material.** Si la hoja de la sierra está atascada, puede salirse o producir un acción de retroceso desde la pieza de trabajo cuando la sierra se vuelva a poner en marcha.
  - d) **Soporte los paneles grandes para minimizar el riesgo de que la hoja se enganche y produzca una acción de retroceso.** Los paneles tienden a hundirse bajo su propio peso, por lo tanto deberían colocarse soportes debajo del panel en ambos lados, cerca de la línea del corte y del borde del panel.
  - e) **No utilice una hoja embotada o dañada.** Las hojas sin afilar o colocadas incorrectamente producen un corte estrecho que causa fricción excesiva, enganche y acción de retroceso en la hoja.
  - f) **Las palancas de ajuste de profundidad y biselado de la hoja deben estar apretadas y seguras antes de realizar el corte.** Si el ajuste de la hoja cambia durante el corte, puede causar atascos y acción de retroceso en la hoja.
  - g) **Vaya con cuidado extra cuando se cortan en paredes existentes u otras áreas ciegas.** La hoja que sobresale puede cortar objetos que pueden causar acción de retroceso.
- ## 3) FUNCIÓN DE LA GUARDA INFERIOR
- a) **Compruebe que la guarda inferior se cierre correctamente antes de cada utilización. No haga funcionar la sierra si la guarda inferior no se mueve libremente y no se cierra instantáneamente. No sujete nunca la guarda inferior en la posición de apertura.** Si la sierra cae accidentalmente, la guarda inferior puede doblarse. Desenchufe la herramienta, levante la guarda inferior con el asa de retracción y asegúrese de que se mueva libremente y que no haga contacto con la hoja ni ninguna otra pieza en todos los ángulos y profundidades de corte.
  - b) **Compruebe el funcionamiento del resorte de la guarda inferior. Si la guarda y el resorte no funcionan correctamente, se les debe prestar servicio antes de utilizarlos.** Es posible que la guarda no funcione bien debido a piezas dañadas, acumulación de residuos pegajosos y otros desechos.
  - c) **La guarda inferior debe retraerse manualmente solamente para cortes especiales como cortes profundos y cortes compuestos. Levante la guarda inferior retrayendo el asa y tan pronto como la hoja entre en el material, suelte la guarda inferior.** Para todos los otros tipos de aserrado, la guarda inferior debería funcionar automáticamente.
  - d) **Compruebe siempre que la guarda inferior cubra la hoja antes de colocar la sierra sobre un banco de trabajo o en el suelo.** Una hoja sin protección que no esté completamente parada puede desplazarse hacia atrás cortando todo lo que encuentre a su paso. Sea consciente del tiempo que la hoja tarda en pararse completamente después de que se ha dejado de pulsar el interruptor de activación.

## INSTRUCCIONES DE SEGURIDAD ADICIONALES

### GENERAL

- Esta herramienta no debe utilizarse por personas menores de 16 años
- Esta herramienta no es adecuada para hacer cortes con agua
- **Desenchufar siempre la herramienta antes de realizar cualquier ajuste o cambiar algún accesorio**
- No utilizar la herramienta cuando el cable esté dañado; hágalo cambiar por una persona calificada
- **No trabaje materiales que contengan amianto** (el amianto es cancerígeno)
- El polvo del material, como por ejemplo la pintura que contiene plomo, algunas especies de madera, minerales y metal podrían ser dañinos (el contacto o inhalación del polvo podría producir reacciones alérgicas y/o trastornos respiratorios al operador u otras personas cerca); **utilice una máscara contra el polvo y trabaje con un dispositivo de extracción de polvo cuando lo conecte**
- Ciertos tipos de polvo están catalogados como cancerígenos (por ejemplo el polvo de roble y de haya) especialmente junto con aditivos para el acondicionamiento de la madera; **utilice una máscara contra el polvo y trabaje con un dispositivo de extracción de polvo cuando lo conecte**
- Siga la normativa nacional en cuanto a extracción de polvo, en función de los materiales que vayan a ser utilizados
- Use únicamente mesas de serrar provistas de un interruptor que prevenga el arranque del motor desués de que se interrumpa la corriente
- Use únicamente mesas de serrar provistas de una guía de corte

### ACCESORIOS

- SKIL únicamente puede garantizar un funcionamiento correcto de la herramienta al emplear accesorios originales
- Utilice únicamente accesorios cuyo límite de revoluciones permitido sea como mínimo igual a las revoluciones en vacío máximas de la herramienta
- **Utilice únicamente hojas de sierra con un diámetro mínimo de 170 mm, un diámetro máximo de 184 mm y un orificio para el eje de 16 mm**
- No utilice nunca hojas de sierras de HSS
- Nunca utilice discos de amolar/tronzar con esta herramienta

### ANTES DEL USO

- Compruebe siempre que la tensión de alimentación es la misma que la indicada en la placa de características de la herramienta (las herramientas de 230V o 240V pueden conectarse también a 220V)
- Evite los daños que puedan causar los tornillos, clavos y otros objetos sobre la pieza de trabajo; retírelos antes de empezar a trabajar
- Antes de empezar a cortar, aparte todos los obstáculos que haya encima y debajo de la línea de corte
- **Asegure la pieza de trabajo** (una pieza de trabajo fijada con unos dispositivos de sujeción o en un tornillo de banco, se mantiene sujeta de forma mucho más segura que con la mano)

- **Utilice aparatos de detección adecuados para localizar posibles conductores o tuberías ocultas, o consulte a su compañía abastecedora** (el contacto con conductores eléctricos puede provocar una descarga eléctrica e incluso un incendio; al dañar una tubería de gas puede producirse una explosión; la perforación de una tubería de agua pueden causar daños materiales o una descarga eléctrica)
- Utilice cables de extensión seguros y completamente desenrollados con una capacidad de 16 amperios

### DURANTE EL USO

- El nivel de ruido, con la herramienta trabajando, podrá sobrepasar 85 dB(A); usar protectores auditivos
- Nunca utilice su herramienta sin la capa de protección original sistemática
- No intente cortar piezas extremadamente pequeñas
- No trabaje con herramientas a una altura por encima de la cabeza
- En caso de bloqueo o de un mal funcionamiento eléctrico o mecánico, desconectar la herramienta inmediatamente y sacar el enchufe del contacto
- Si llega a dañarse o cortarse el cable eléctrico durante el trabajo, no tocar el cable, sino extraer inmediatamente el enchufe de la red

### DESPUÉS DEL USO

- Ponga atención al guardar su herramienta de que el motor está apagado y las partes móviles están parados
- Al desconectar su sierra circular, nunca frene la rotación de la hoja empujando algo contra ella lateralmente

## USO

- Montaje de la hoja de sierra ③
  - ! **desenchufar la herramienta**
    - coger la llave hexagonal A del depósito B
    - pulse el botón de cierre de husillo C y manténgalo pulsado mientras quita el tornillo de hoja D con la llave hexagonal
  - ! **apriete el botón de cierre de husillo C solamente cuando la herramienta se haya detenido**
    - suelte el botón de cierre de husillo C
    - retire la brida E
    - abra la guarda inferior F con la palanca G y sujétela mientras monta la hoja de sierra con los dientes de la sierra y la flecha impresa en la hoja apuntando en la misma dirección que la flecha mostrada en la guarda superior
    - suelte la guarda inferior F
    - monte la brida E
  - ! **asegúrese de que las superficies de enganche H de las bridas estén perfectamente limpias y estén encaradas a la hoja**
    - pulse el botón de cierre de husillo C y manténgalo pulsado mientras aprieta el tornillo de la hoja con la llave hexagonal dando 1/8 de giro después de que esté apretado al máximo con los dedos (asegure que la hoja de sierra resbale si encuentra excesiva resistencia, y evita que el motor se sobrecargue y la sierra retroceda)
    - suelte el botón de cierre de husillo C
  - Ajuste de la profundidad de corte (0-65 mm) ④
    - para obtener una óptima calidad de corte, la hoja no debe de profundizar más de 3 mm en la pieza de trabajo

- aflojar el botón J
- levantar/bajar la base K hasta la profundidad de corte deseada, que se encuentra indicada en la escala, usando para ello el indicador L
- apretar el botón J
- Ajuste del ángulo de corte (0-45°) ⑤
  - aflojar el botón M
  - inclinar la herramienta hasta el ángulo de corte deseado, que se encuentra indicado en la escala, usando para ello el indicador N
  - apretar el botón M
- ! **para cortes biselados, la profundidad de corte se corresponde con el valor en la escala de profundidad de corte**
- Comprobación del ángulo de corte a 90° ⑤
  - ajustar la base K para una máxima profundidad de corte ④
  - ajustar el ángulo de corte a 0°
  - comprobar el ángulo de corte de 90° entre la hoja y la base con un cartabón
  - si es necesario un ajuste, desaprete el botón M, e utilice el tornillo de ajuste P como muestra la figura
- Visor ajustable de la línea de corte Q ⑥a
  - para guiar la herramienta a lo largo de la línea de corte deseada, márkela en la pieza de trabajo
  - para un corte recto de 0° o para bisealar a 45°, use el indicador de la línea adecuado
- ! **la parte ancha de la base debe de reposar en el soporte de la pieza de trabajo**
- puede ajustarse para permitirle escoger si el material de desecho está en el lado interno o externo de la sierra ⑥b
- ! **la anchura de corte viene determinada por el ancho de los dientes de la hoja y no por el ancho del cuerpo de la sierra**
- ! **realice siempre cortes de prueba para verificar la línea actual de corte**
- Aspiración de polvo
  - monte el aspirador a la extensión R ⑦
- ! **nunca permita que la media del aspirador interfiera con la chapa protectora o con la operación de corte**
- se puede utilizar también una bolsa de polvo (accesorio SKIL 2610387402)
- ! **no utilizar la bolsa de polvo/el aspirador al cortar metales**
- Utilización de la herramienta ⑦
  - enchufar a la red
  - siempre mantener la empuñadura S firmemente con una mano y la empuñadura T firmemente con la otra mano
  - colocar la herramienta con la parte delantera de la misma tendida sobre la pieza de trabajo
- ! **asegurese de que los dientes de la hoja no estan encalados en la pieza de trabajo**
- poner en marcha su herramienta primero apretando el botón V (= interruptor de seguridad que no puede bloquearse) y luego tirando del gatillo W
- ! **la sierra debe detener su velocidad máxima antes de que usted pueda realizar el trabajo de corte**

- la chapa protectora F se abre automáticamente cuando la hoja de sierra penetra en la pieza de trabajo (abrir la chapa protectora manualmente con la palanca G solómente para cortes particulares como cortes de emersión)
- ! **no fuerce la herramienta** (aplique una presión ligera y continua para evitar que se recalienten las puntas de las hojas y, en caso de estar cortando plásticos, que se funda el material plástico)
- ! **durante el trabajo, sujete siempre la herramienta por la(s) zona(s) de empuñadura de color gris**
- después de haber realizado el corte, pare su herramienta soltando el gatillo W
- ! **asegurese que la hoja esté completamente parada antes de que la levante de la pieza a bajar**

## CONSEJOS DE APLICACIÓN

- Al utilizar el carril de guía (accesorio SKIL 2610Z04064) conjuntamente con el adaptador, la profundidad de corte se reducirá en 14 mm tanto para 90° como para 45° cortes
- Poner siempre el lado bueno de la pieza de trabajo hacia abajo, para asegurar un mínimo astillado
- Utilice únicamente hojas de sierra afiladas del modelo adecuado ⑧
  - cuanto más dientes, más lisado el corte
  - hojas de sierra con dientes de metal duro (Widia) se mantienen 30 veces más afiladas que las hojas normales
- Guía paralela Y ⑨
  - para hacer cortes exactos a lo largo de una esquina de la pieza de trabajo
  - puede insertarse en ambos lados de la base
- Ajuste de la guía paralela
  - desaflojar la tuerca Z
  - ajuste a la anchura del corte deseado, utilizando la escala de la guía paralela (utilice el visor de la línea de corte Q como referencia 0)
  - apretar la tuerca Z
- Cortes de emersión directa ⑩
  - fijar la profundidad de corte deseada
  - incline la herramienta hacia adelante con el visor de la línea de corte Q alineado con la línea de corte deseada y marcada en la pieza de trabajo
  - abrir la guarda inferior F con la palanca G
  - justo antes de que la sierra penetre en la pieza de trabajo, desvíe la herramienta y baje gradualmente la parte delantera de la herramienta, usando el frontal de la base como punto de apoyo
  - mover la herramienta gradualmente, tanto hacia abajo, como hacia adelante
  - tan pronto como la hoja entre en el material, suelte la palanca G
- ! **nunca empuja la herramienta hacia atras**
- Cortar tableros largos ⑪
  - sostener el tablero, bien en el suelo, mesa o banco de trabajo
- ! **fijar la profundidad de corte de tal manera, que usted pueda cortar a través del tablero y no a través del soporte**

- en el caso de que la guía paralela no permita la anchura de corte deseada, empalme o clave una pieza de madera recta a la pieza de trabajo como guía, y use la parte derecha de la base contra esta guía

## MANTENIMIENTO / SERVICIO

- Esta herramienta no está concebida para uso profesional
- Mantenga limpio el cable eléctrico y la herramienta (sobre todo las ranuras de ventilación)
- ! **desenchufar la herramienta antes de limpiar**
- Mantenga siempre limpia el área alrededor de la guarda inferior F ③ (quite el polvo y las virutas soplando con aire comprimido o con un cepillo)
- Limpie la hoja de sierra después de cada uso (especialmente de resina y cola)
- Si a pesar de los esmerados procesos de fabricación y control, la herramienta llegase a averiarse, la reparación deberá encargarse a un servicio técnico autorizado para herramientas eléctricas SKIL
  - envíe la herramienta **sin desmontar** junto con una prueba de su compra a su distribuidor o a la estación de servicio más cercana de SKIL (los nombres así como el despiece de piezas de la herramienta figuran en [www.skil.com](http://www.skil.com))

## AMBIENTE

- **No deseche las herramientas eléctricas, los accesorios y embalajes junto con los residuos domésticos** (sólo para países de la Unión Europea)
  - de conformidad con la Directiva Europea 2012/19/CE sobre residuos de aparatos eléctricos y electrónicos y su aplicación de acuerdo con la legislación nacional, las herramientas eléctricas cuya vida útil haya llegado a su fin se deberán recoger por separado y trasladar a una planta de reciclaje que cumpla con las exigencias ecológicas
  - símbolo ⑫ llamará su atención en caso de necesidad de tirarlas

## DECLARACIÓN DE CONFORMIDAD CE

### Sierra circular 5665/5765

#### Datos técnicos ①

- Declaramos bajo nuestra sola responsabilidad que el producto descrito bajo "Datos técnicos" está en conformidad con las normas o documentos normalizados siguientes: EN 60745, EN 61000, EN 55014, de acuerdo con las disposiciones en las directivas 2014/30/UE, 2006/42/CE, 2011/65/UE
- **Expediente técnico en:** SKIL Europe BV (PT-SEU/ENG1), 4825 BD Breda, NL

Marijn van der Hoofden  
Operations & Engineering

Olaf Dijkgraaf  
Approval Manager




SKIL Europe BV, 4825 BD Breda, NL

16.10.2014

## RUIDOS/VIBRACIONES

- Medido según EN 60745 el nivel de la presión acústica de esta herramienta se eleva a 97 dB(A) y el nivel de la potencia acústica a 108 dB(A) (desviación estándar: 3 dB), y la vibración a \* m/s<sup>2</sup> (suma vectorial de tres direcciones; incertidumbre K = 1,5 m/s<sup>2</sup>)
  - \* al cortar madera 2,6 m/s<sup>2</sup>
  - \* al cortar metales 2,2 m/s<sup>2</sup>
- El nivel de emisión de vibraciones ha sido medido según una prueba estándar proporcionada en EN 60745; puede utilizarse para comparar una herramienta con otra y como valoración preliminar de la exposición a las vibraciones al utilizar la herramienta con las aplicaciones mencionadas
  - al utilizarla para distintas aplicaciones o con accesorios diferentes o con un mantenimiento deficiente, podría **aumentar** de forma notable el nivel de exposición
  - en las ocasiones en que se apaga la herramienta o cuando está funcionando pero no está realizando ningún trabajo, se podría **reducir** el nivel de exposición de forma importante
- ! **protéjase contra los efectos de la vibración realizando el mantenimiento de la herramienta y sus accesorios, manteniendo sus manos calientes y organizando sus patrones de trabajo**



P

Serra circular

5665/5765

## INTRODUÇÃO

- A ferramenta é determinada para realizar em madeira, cortes longitudinais e transversais com decurso de corte recto e ângulo de chanfradura de 45°; com as respectivas lâminas de serra, também é possível serrar metais não ferrosos, materiais leves e plásticos
- Esta ferramenta não se destina a utilização profissional
- Leia e guarde este manual de instruções ②

## DADOS TÉCNICOS ①

## SEGURANÇA

### INSTRUÇÕES GERAIS DE SEGURANÇA

**⚠ ATENÇÃO! Devem ser lidas todas as indicações de advertência e todas as instruções.** O desrespeito das advertências e instruções apresentadas abaixo pode causar choque eléctrico, incêndio e/ou graves lesões. **Guarde bem todas as advertências e instruções para futura referência.** O termo "ferramenta eléctrica" utilizado a seguir nas indicações de advertência, refere-se a ferramentas eléctricas operadas com corrente de rede (com

cabo de rede) e a ferramentas eléctricas operadas com acumulador (sem cabo de rede).

### 1) SEGURANÇA DA ÁREA DE TRABALHO

- a) **Mantenha a sua área de trabalho limpa e arrumada.** Desordem ou áreas de trabalho com fraca iluminação podem causar acidentes.
- b) **Não trabalhar com a ferramenta eléctrica em áreas com risco de explosão, nas quais se encontrem líquidos, gases ou pós inflamáveis.** Ferramentas eléctricas produzem faíscas que podem provocar a ignição de pó e vapores.
- c) **Mantenha crianças e outras pessoas afastadas da ferramenta eléctrica durante o trabalho com a ferramenta.** Distrações podem causar a falta de controle sobre o aparelho.

### 2) SEGURANÇA ELÉCTRICA

- a) **A ficha da ferramentas eléctricas devem caber na tomada. A ficha não deve ser modificada de modo algum. Não utilize quaisquer fichas de adaptação junto com ferramentas eléctricas ligadas à terra.** Fichas sem modificações e tomadas adequadas reduzem o risco de choques eléctricos.
- b) **Evite que o corpo entre em contacto com superfícies ligadas à terra, como por exemplo tubos, radiadores, fogões e geladeiras.** Há um risco elevado de choques eléctricos, caso o corpo for ligado à terra.
- c) **A ferramenta eléctrica não deve ser exposta à chuva nem humidade.** A penetração de água na ferramenta eléctrica aumenta o risco de choques eléctricos.
- d) **O cabo do aparelho não deve ser utilizado para o transporte, para pendurar o aparelho, nem para puxar a ficha da tomada. Mantenha o cabo afastado de calor, óleo, cantos afiados ou partes em movimento do aparelho.** Cabos danificados ou torcidos aumentam o risco de choques eléctricos.
- e) **Ao trabalhar com a ferramenta eléctrica ao ar livre, use um cabo de extensão apropriado para áreas externas.** O uso de um cabo apropriado para áreas externas reduz o risco de choques eléctricos.
- f) **Se não for possível evitar o funcionamento da ferramenta eléctrica em áreas húmidas, deverá ser utilizado uma disjuntor de corrente de avaria.** A utilização de um disjuntor de corrente de avaria reduz o risco de um choque eléctrico.

### 3) SEGURANÇA DE PESSOAS

- a) **Esteja alerta, observe o que está a fazer, e tenha prudência ao trabalhar com a a ferramenta eléctrica. Não use a ferramenta eléctrica se estiver fatigado ou sob a influência de drogas, álcool ou medicamentos.** Um momento de falta de atenção durante a operação da ferramenta eléctrica pode causar graves lesões.
- b) **Utilizar equipamento de protecção pessoal e sempre óculos de protecção.** A utilização de equipamento de protecção pessoal, como máscara de protecção contra pó, sapatos de segurança antiderrapantes, capacete de segurança ou protecção auricular, de acordo com o tipo e aplicação da ferramenta eléctrica, reduz o risco de lesões.

- c) **Evitar uma colocação em funcionamento involuntária. Assegure se de que a ferramenta eléctrica esteja desligada, antes de conectá-la à alimentação de rede e/ou ao acumulador, antes de levantá-la ou de transportá-la.** Se tiver o dedo no interruptor ao transportar a ferramenta eléctrica ou se o aparelho for conectado à alimentação de rede enquanto estiver ligado, poderão ocorrer acidentes.
  - d) **Remover chaves de ajustes ou chaves de fenda, antes de ligar a ferramenta eléctrica.** Uma chave de fenda ou chave de ajuste que se encontre numa parte móvel do aparelho, pode levar a lesões.
  - e) **Não se sobrestime. Mantenha uma posição firme e mantenha sempre o equilíbrio.** Desta forma poderá ser mais fácil controlar o aparelho em situações inesperadas.
  - f) **Use roupa apropriada. Não use roupa larga ou jóias. Mantenha o cabelo, roupa e luvas afastadas de partes em movimento.** Roupas largas, jóias ou cabelos longos podem ser agarradas por partes em movimento.
  - g) **Se for prevista a montagem de dispositivos de aspiração de pó e de dispositivos de recolha, assegure-se de que estão conectados e que sejam utilizados de forma correcta.** A utilização de uma aspiração de pó pode reduzir o perigo devido ao pó.
- ### 4) USO E TRATAMENTO DE FERRAMENTAS ELÉCTRICAS
- a) **Não sobrecarregue a ferramenta eléctrica. Use para o seu trabalho a ferramenta eléctrica correcta.** A ferramenta correcta realizará o trabalho de forma melhor e mais segura dentro da faixa de potência indicada.
  - b) **Não utilize a ferramenta eléctrica se o interruptor não puder ser ligado nem desligado.** Qualquer ferramenta eléctrica que não possa ser controlada através do interruptor de ligar-desligar, é perigosa e deve ser reparada.
  - c) **Puxar a ficha da tomada e/ou remover o acumulador antes de executar ajustes na ferramenta, de substituir acessórios ou de guardar a ferramenta.** Esta medida de segurança evita que a ferramenta eléctrica seja ligada acidentalmente.
  - d) **Guarde ferramentas eléctricas que não estiverem sendo utilizadas, for a do alcance de crianças. Não permita que o aparelho seja utilizado por pessoas não familiarizadas com o mesmo ou que não tenham lido estas instruções.** Ferramentas eléctricas são perigosas nas mãos de pessoas sem treinamento.
  - e) **Trate a sua ferramenta eléctrica com cuidado. Verifique se as partes móveis do aparelho funcionam perfeitamente e não emperram, se há peças quebradas ou danificadas, que possam influenciar o funcionamento do aparelho. Peças danificadas devem ser reparadas antes da utilização do aparelho.** Muitos acidentes tem como causa uma manutenção insuficiente das ferramentas eléctricas.
  - f) **Mantenha as ferramentas de corte sempre afiadas e limpas.** Ferramentas de cortes devidamente tratadas, com cantos afiados travam com menos frequência e podem ser controladas com maior facilidade.
  - g) **Use a ferramenta eléctrica, os acessórios os bits da ferramenta etc., de acordo com estas instruções.**

**Considere também as condições de trabalho e o trabalho a ser efectuado.** A utilização da ferramenta eléctrica para outros fins que os previstos, pode resultar em situações perigosas.

#### 5) SERVIÇO

- a) **A sua ferramenta eléctrica só deve ser reparada por pessoal qualificado e só devem ser colocadas peças sobressalentes originais.** Desta forma é assegurada a segurança da ferramenta eléctrica.

#### ADVERTÊNCIAS DE SEGURANÇA PARA SERRAS CIRCULARES

##### 1) PROCEDIMENTOS DE SERRAR

- a) **PERIGO : As suas mãos não devem entrar na área de corte nem em contacto com a lâmina de serra. Segurar o punho adicional ou a carcaça do motor com a outra mão.** Se as mãos estiverem a segurar a serra, não poderão ser feridas pela lâmina de serra.
- b) **Não coloque a mão por baixo da peça de trabalho.** O sistema de protecção não o protege da lâmina por baixo da peça de trabalho.
- c) **Ajuste a profundidade de corte à espessura do material.** Deve estar visível abaixo do material menos do que um dente completo da lâmina de serra.
- d) **Jamais segurar a peça a ser serrada com a mão ou com a perna. Fixar a peça a ser trabalhada numa admissão firme.** É importante fixar bem a peça a ser trabalhada, para minimizar o perigo de contacto com o corpo, de emperramento da lâmina de serra ou perda de control.
- e) **Ao executar trabalhos durante os quais possam ser atingidos cabos eléctricos ou o próprio cabo de rede, deverá sempre segurar a ferramenta eléctrica pelas superfícies isoladas do punho.** O contacto com um cabo sob tensão pode colocar peças de metal da ferramenta eléctrica sob tensão e levar a um choque eléctrico.
- f) **Quando estiver a serrar ao comprido, use sempre uma guia paralela.** A guia aumenta a exactidão do corte e reduz a possibilidade de a lâmina prender.
- g) **Sempre utilizar lâminas de serra do tamanho correcto e com orifício de admissão apropriado (p. ex. em forma de estrela ou redondo).** Lâminas de serra não apropriada para as peças de montagem da lâmina, funcionam desequilibradamente e levam à perda de controlo.
- h) **Nunca use anilhas ou parafusos da lâmina que estejam danificados ou que não sejam os adequados.** As anilhas e o parafuso da lâmina foram especificamente concebidos para esta serra, tendo em vista um desempenho e uma segurança de utilização máximos.

##### 2) RESSALTO - CAUSAS E RESPECTIVOS AVISOS

- O ressalto é uma reacção súbita a uma lâmina presa ou desalinhada que faz com que a serra descontrolada saia da peça de trabalho e recue na direcção do operador
- Quando o corte estreita a ponto de prender completamente a lâmina, esta pára e a reacção do motor faz recuar rapidamente a unidade na direcção do operador

- Se a lâmina torcer ou perder o alinhamento no corte, os dentes de trás da lâmina podem penetrar na superfície superior da madeira fazendo com que a lâmina saia do corte e ressalte na direcção do operador
  - O ressalto resulta de uma má utilização da ferramenta e/ou de procedimentos de utilização ou condições incorrectos e pode ser evitado tomando as devidas precauções, conforme a seguir indicado
- a) **Mantenha a serra firmemente segura com ambas as mãos e posicione os braços para resistir à força do ressalto. Posicione o corpo de um dos lados da lâmina, e não na linha de corte da mesma.** Um ressalto poderá fazer com que a serra recue, no entanto, a força do ressalto pode ser controlada pelo operador, se forem tomadas as devidas precauções.
- b) **Quando a lâmina começar a prender, ou quando interromper um corte por qualquer razão, solte o gatilho e mantenha a serra estacionária no material até a lâmina parar completamente. Nunca tente retirar a serra da peça ou puxá-la para trás com a lâmina em movimento, caso contrário poderá ocorrer um ressalto.** Investigue e tome as medidas de correcção necessárias para evitar que a lâmina prenda. evite cortar pregos ou parafusos.
- c) **Quando voltar a colocar uma serra numa peça de trabalho, centre a lâmina da serra no corte e certifique-se de que os dentes da serra não estão enterrados no material.** Se a lâmina da serra estiver a prender, a serra poderá levantar ou ressaltar da peça quando for ligada.
- d) **Apoie painéis grandes para minimizar o risco de a lâmina prender e a serra ressaltar.** Os painéis grandes tendem a cair sob o seu próprio peso. Devem ser colocados apoios sob o painel de ambos os lados, junto à linha de corte e junto ao rebordo do painel.
- e) **Não use uma lâmina que esteja cega ou danificada.** Lâminas não afiadas ou incorrectamente montadas produzem um corte estreito, provocando fricção excessiva, fazendo com que a lâmina prenda e a serra ressalte.
- f) **As alavancas de definição da profundidade da lâmina e de ajuste do ângulo têm de estar bem fixas antes de se iniciar o corte.** Se o ajuste da lâmina se alterar durante o corte, isso pode fazer com que a lâmina prenda e a serra ressalte.
- g) **Tenha extremamente cuidado ao serrar em paredes existentes ou em outras superfícies, onde não é possível reconhecer o que há por detrás.** Ao imergir, a lâmina de serra pode ser bloqueada por objectos escondidos e causar um ressalto.

##### 3) FUNÇÃO DA PROTECÇÃO INFERIOR

- a) **Certifique-se de que a protecção inferior fecha devidamente antes de cada utilização. Não utilize a serra caso a protecção inferior não funcione livremente nem feche instantaneamente. Nunca aperte nem prenda a protecção inferior aberta.** Se deixar cair a serra por acidente, a protecção inferior poderá ficar deformada. Desligue a ferramenta da fonte de corrente, levante a protecção inferior com a pega retráctil e certifique-se de que funciona livremente e não toca na lâmina nem em qualquer outra peça, qualquer que seja o ângulo ou a profundidade do corte.



- b) **Verifique o funcionamento da mola da protecção inferior. Se a protecção e a mola não estiverem a funcionar correctamente, deverá ser feito o serviço à ferramenta antes da utilização.** A protecção inferior poderá ter um funcionamento lento em consequência de peças danificadas, depósitos viscosos ou acumulação de detritos.
- c) **A protecção inferior deve ser retraída manualmente apenas para cortes especiais como cortes profundos e cortes compostos. Levante a protecção inferior retraindo a pega e assim que a lâmina penetrar no material a protecção inferior deverá ser libertada.** Para todos os outros tipos de serração, a protecção inferior deve funcionar automaticamente.
- d) **Certifique-se sempre de que a protecção inferior está a cobrir a lâmina antes de baixar a serra sobre a bancada ou o chão.** Uma lâmina desprotegida a funcionar por inércia fará com que a serra recue, cortando o que estiver na sua direcção. Tenha em conta o tempo que a lâmina leva a parar depois de libertado o interruptor.

## ADVERTÊNCIAS DE SEGURANÇA ADICIONAIS

### GENERAL

- Esta ferramenta não deve ser utilizada por pessoas menores de 16 anos
- Esta ferramenta não é aconselhada para cortar com água
- **Desligue sempre a ficha da tomada antes de proceder a qualquer ajustamento ou troca de acessório**
- Não utilizar ferramenta caso o fio esteja danificado; mandando-o substituir por pessoal qualificado
- **Não processar material que contenha asbesto** (asbesto é considerado como sendo cancerígeno)
- O pó do material, como tinta com chumbo, algumas espécies de madeira, minerais e metais, pode ser prejudicial (contacto ou inalação do pó pode provocar reacções alérgicas e/ou doenças respiratórias ao operador ou às pessoas presentes); **use máscara respiratória e trabalhe com um dispositivo de extracção de pó quando ligado a**
- Determinados tipos de pó são classificados como substâncias cancerígenas (como pó de carvalho e faia), em especial, juntamente com aditivos para acondicionamento da madeira; **use máscara respiratória e trabalhe com um dispositivo de extracção de pó quando ligado a**
- Siga o regulamento nacional quanto a extração de pó, em função dos materiais que vão ser utilizados
- Apenas utilize mesas de serrar munidas de interruptor de voltagem que previna o reiniciar do motor depois de interrupção de voltagem
- Apenas utilize mesas de serrar munidas de guia de corte

### ACESSÓRIOS

- A SKIL só pode garantir um funcionamento perfeito da ferramenta, quando utilizada com os acessórios originais
- Utilize apenas acessórios com um número de rotação admissível no mínimo tão alto como o mais alto número de rotação em vazio da ferramenta

- **Utilize apenas lâminas com um diâmetro mínimo de 170 mm, um diâmetro máximo de 184 mm e um orifício do veio de 16 mm**
- Nunca utilize lâminas para serras em HSS
- Nunca utilize discos de rebarbe/corte com esta ferramenta

### ANTES DA UTILIZAÇÃO

- Certifique-se sempre de que a tensão de alimentação está de acordo com a tensão indicada na placa de identificação da ferramenta (ferramentas com a indicação de 230V ou 240V também podem ser ligadas a uma fonte de 220V)
- Evite danificar a ferramenta em superfícies com pregos ou parafusos; remova-os antes de começar a trabalhar
- Retire todos os obstáculos que se encontram no topo superior e na parte inferior da peça a cortar antes de iniciar o trabalho
- **Fixe a peça de trabalho** (uma peça de trabalho fixa com dispositivos de fixação ou num torno fica melhor fixa do que manualmente)
- **Utilizar detectores apropriados para detectar tubos e cabos de alimentação escondidos, ou consulte a firma de alimentação local** (o contacto com um cabo eléctrico pode levar a incêndio e choque eléctrico; a danificação de um cano de gás pode levar à explosão; a penetração de uma tubulação de água provoca danos materiais ou pode provocar um choque eléctrico)
- Utilize extensões completamente desenroladas e seguras, com uma capacidade de 16 Amp

### DURANTE A UTILIZAÇÃO

- O nível de ruído durante o trabalho pode exceder 85 dB(A); utilize protectores auriculares
- Nunca utilize a ferramenta sem o sistema de protecção original
- Não tente cortar peças de trabalho extremamente pequenas
- Não trabalhe em suspensão com a ferramenta
- Em caso de bloqueio ou de anomalias eléctricas ou mecânicas, desligue imediatamente a ferramenta e a ficha da tomada
- Caso o fio for danificado ou cortado durante o trabalho, não toque no fio, mas tire imediatamente a ficha da tomada

### APÓS A UTILIZAÇÃO

- Quando guardar a ferramenta, deverá certificar-se que o motor esta devidamente parado assim como todas as peças rotativas
- Depois de desligar a sua serra circular, nunca pare a rotação da lâmina exercendo pressão lateral sobre a mesma

## MANUSEAMENTO

- Montagem da lâmina da serra ③
  - ! **desligar a ferramenta da fonte de corrente**
    - tire a chave hexagonal A do alojamento B
    - pressione o botão C de fecho do veio e mantenha-o nessa posição, enquanto remove a porca da lâmina D com a chave hexagonal
  - ! **pressione o botão C de fecho do veio sómente quando a ferramenta estiver parada**
    - solte o botão C de fecho do veio
    - remova o anel E

- abra a protecção inferior com a alavanca G e mantenha-a nessa posição, enquanto monta a lâmina da serra com os dentes da serra e a seta imprimida na lâmina apontada na mesma direcção da seta da protecção superior
- solte a protecção inferior F
- aplique o anel E
- ! **certifique-se que as superfícies de aperto dos anéis H estão perfeitamente limpas e em frente da lâmina**
- pressione o botão C de fecho do veio e mantenha-o nessa posição, enquanto aperta a porca da lâmina com a chave hexagonal 1/8 de volta após ter apertado à mão (a lâmina patina quando encontra demasiada resistência reduzindo sobrecargas do motor e ressaltos da lâmina)
- solte o botão C de fecho do veio
- Ajuste da profundidade de corte (0-65 mm) ④
  - para um corte de óptima qualidade a lâmina da serra não deverá exceder mais de 3 mm abaixo da peça de trabalho
  - solte o botão J
  - eleve/abaixe a base K até atingir na escala a profundidade de corte desejada utilizando o indicador L
  - aperte o botão J
- Ajuste do ângulo de corte (0-45°) ⑤
  - solte o botão M
  - incline a ferramenta até atingir na escala o ângulo de corte desejado utilizando o indicador N
  - aperte o botão M
  - ! **quando cortar de ângulo, a profundidade de corte não está de acordo com o valor indicado na escala de profundidade de corte**
- Verificação do ângulo de corte de 90° ⑤
  - ajuste e aperte a base K na profundidade de corte máxima ④
  - ajuste e aperte o ângulo de corte a 0°
  - verifique o ângulo de 90° com um esquadro entre a lâmina e o fundo da base
  - se o ajuste for necessário, solte o botão M e utilize o parafuso de ajuste P conforme ilustrado
- Visor ajustável da linha de corte Q ⑥a
  - para guiar a ferramenta ao longo da linha de corte marcada na peça a trabalhar
  - para um corte direito a 0° ou um corte de ângulo a 45° utilize a linha indicadora relativa
  - ! **a parte larga da base deve estar assente na parte apoiada da peça a trabalhar**
  - pode ser ajustado para permitir determinar se o material de desperdício deverá ficar do lado de dentro ou do lado de fora da lâmina ⑥b
  - ! **o tamanho de corte é determinado pelo tamanho dos dentes da lâmina e não pelo tamanho do corpo da lâmina**
  - ! **faça sempre cortes de ensaio para verificar a linha de corte**
- Aspiração de pó
  - aplique o aspirador à extensão R ⑦
  - ! **nunca deixe que o tubo do aspirador interfira com a protecção inferior ou com a operação de corte**
  - pode-se utilizar também um saco de pó (acessório SKIL 2610387402)

- ! **não utilizar o saco de pó/o aspirador ao cortar metais**
- Utilização da ferramenta ⑦
  - ligue a ficha na tomada
  - sempre segure com firmeza o punho S com uma mão e o punho T com a outra mão
  - coloque a ferramenta com a parte frontal da base bem assente sobre na peça a trabalhar
  - ! **certifique-se que os dentes não estão em contacto com a peça a trabalhar**
  - ligue a ferramenta premindo primeiro o botão V (= interruptor de segurança que não pode ser trancado) e depois apertando o gatilho W
  - ! **a ferramenta deverá trabalhar na velocidade máxima, antes da lâmina da serra penetrar na peça a trabalhar**
  - a protecção inferior F abre automaticamente quando a lâmina da serra penetra na peça a trabalhar (abra a protecção inferior manualmente utilizando a alavanca G somente para cortes especiais tal como cortes profundos)
  - ! **não force a ferramenta** (aplique uma pressão contínua e leve para evitar o sobreaquecimento das pontas das lâminas e, em plásticos de corte, o derretimento do material de plástico)
  - ! **durante o trabalho, segure sempre a ferramenta na(s) área(s) de fixação cinzenta(s)**
  - depois de completar o trabalho, desligue a ferramenta soltando o gatilho W
  - ! **certifique-se que a lâmina está completamente parada antes de retirar a ferramenta da peça a trabalhar**

## CONSELHOS DE APLICAÇÃO

- Quando utilizar a calha guia (acessório SKIL 2610Z04064) juntamente com o adaptador, a profundidade de corte será reduzida 14 mm para 90° e 45° cortes
  - Coloque sempre a peça a trabalhar com a face virada para baixo assegurando assim o mínimo de estilhaçamento
  - Use sempre lâminas da serra devidamente afiadas e do tipo correcto ⑧
    - a qualidade de corte melhora consoante o número de dentes
    - lâminas c/ pastilhas Widia mantêm-se afiadas 30 vezes mais do que as lâminas normais
  - Guia paralela Y ⑨
    - para fazer cortes exactos ao longo do bordo lateral da peça a trabalhar
    - pode ser introduzida em qualquer dos lados da base
- Ajuste da guia paralela
- solte o botão Z
  - ajuste a largura de corte desejada com a escala da guia paralela (use o visor da linha de corte Q como referência 0)
  - aperte o botão Z
  - Cortes profundos ⑩
    - regule a profundidade de corte desejada

- incline a ferramenta para a frente com o visor da linha de corte Q alinhado com a linha de corte desejada marcada na peça a trabalhar
  - abra a protecção inferior F com a alavanca G
  - antes da lâmina penetrar na peça a trabalhar, ligue a ferramenta e gradualmente baixe o dorso da ferramenta utilizando a parte frontal da base como ponto de dobradiça
  - gradualmente incline a ferramenta para baixo e ao mesmo tempo para a frente
  - assim que a lâmina penetrar no material, solte a alavanca G
- ! nunca puxe a ferramenta para trás**
- Corte de grandes painéis ①
  - apoia o painel próximo do corte no chão, na mesa ou na bancada de trabalho
- ! ajuste a profundidade de corte de modo a cortar a través do painel e não a través do apoio**
- caso o guia paralela não permita a largura de corte desejado, fixe uma tira de madeira sobre a peça a trabalhar como um guia, e conduza o lado direito da ferramenta contra esta guia

## MANUTENÇÃO / SERVIÇO

- Esta ferramenta não se destina a utilização profissional
  - Mantenha a ferramenta e o fio sempre limpos (especialmente as aberturas de ventilação)
- ! desligar a ferramenta da fonte de corrente antes de limpar**
- Mantenha sempre a área à volta da guarda inferior F ③ limpa (retire o pó e as lascas, soprando com ar comprimido ou uma escova)
  - Limpe a lâmina logo após a sua utilização (especialmente de resina ou cola)
  - Se a ferramenta falhar apesar de cuidadosos processos de fabricação e de teste, a reparação deverá ser executada por uma oficina de serviço autorizada para ferramentas eléctricas SKIL
  - envie a ferramenta **sem desmontar**, juntamente com a prova de compra, para o seu revendedor ou para o centro de assistência SKIL mais próximo (os endereços assim como a mapa de peças da ferramenta estão mencionados no [www.skil.com](http://www.skil.com))

## AMBIENTE

- **Não deite ferramentas eléctricas, acessórios e embalagem no lixo doméstico** (apenas para países da UE)
- de acordo com a directiva europeia 2012/19/CE sobre ferramentas eléctricas e electrónicas usadas e a transposição para as leis nacionais, as ferramentas eléctricas usadas devem ser recolhidas em separado e encaminhadas a uma instalação de reciclagem dos materiais ecológica
- símbolo ⑫ lhe avisará em caso de necessidade de arranjar-las

## DECLARAÇÃO DE CONFORMIDADE CE

### Serra circular 5665/5765

#### Dados técnicos ①

- Declaramos sob nossa exclusiva responsabilidade que o produto descrito em "Dados técnicos" cumpre as seguintes normas ou documentos normativos: EN 60745, EN 61000, EN 55014, conforme as disposições das directivas 2014/30/UE, 2006/42/CE, 2011/65/UE
- **Processo técnico em:** SKIL Europe BV (PT-SEU/ENG1), 4825 BD Breda, NL

Marijn van der Hoofden  
Operations & Engineering

Olaf Dijkstra  
Approval Manager




SKIL Europe BV, 4825 BD Breda, NL

16.10.2014

## RUÍDO/VIBRAÇÕES

- Medido segundo EN 60745 o nível de pressão acústica desta ferramenta é 97 dB(A) e o nível de potência acústica 108 dB(A) (espaço de erro: 3 dB), e a vibração
    - \*  $\text{m/s}^2$  (soma de vectores de três direcções; incerteza  $K = 1,5 \text{ m/s}^2$ )
    - \* ao cortar madeira  $2,6 \text{ m/s}^2$
    - \* ao cortar metais  $2,2 \text{ m/s}^2$
  - O nível de emissão de vibrações foi medido de acordo com um teste normalizado fornecido na EN 60745; pode ser utilizado para comparar uma ferramenta com outra e como uma avaliação preliminar de exposição à vibração quando utilizar a ferramenta para as aplicações mencionadas
    - utilizar a ferramenta para diferentes aplicações ou com acessórios diferentes ou mantidos deficientemente, pode **umentar** significativamente o nível de exposição
    - o número de vezes que a ferramenta é desligada ou quando estiver a trabalhar sem fazer nada, pode **reduzir** significativamente o nível de exposição
- ! proteja-se contra os efeitos da vibração, mantendo a ferramenta e os acessórios, mantendo as mãos quentes e organizando os padrões de trabalho**

I

Sega circolare

5665/5765

## INTRODUZIONE

- L'utensile è idoneo per l'esecuzione di tagli longitudinali e trasversali nel legno realizzando tagli diritti e tagli con angolazioni fino a 45°; utilizzando rispettive lame, è possibile tagliare anche metalli non ferrosi, materiali leggeri da costruzione e materiali artificiali
- Questo utensile non è inteso per un uso professionale
- Leggete e conservate questo manuale di istruzione ②

## DATI TECNICI ①

### SICUREZZA

#### ISTRUZIONI GENERALI DI SICUREZZA

**⚠ ATTENZIONE!** Leggere tutte le avvertenze di pericolo e le istruzioni operative. In caso di mancato rispetto delle avvertenze di pericolo e delle istruzioni operative si potrà creare il pericolo di scosse elettriche, incendi e/o incidenti gravi. **Conservare tutte le avvertenze di pericolo e le istruzioni operative per ogni esigenza futura.** Il termine "elettroutensile" utilizzato nelle avvertenze di pericolo si riferisce ad utensili elettrici alimentati dalla rete (con linea di allacciamento) ed ad utensili elettrici alimentati a batteria (senza linea di allacciamento).

#### 1) SICUREZZA DELLA POSTAZIONE DI LAVORO

- Mantenere pulito ed ordinato il posto di lavoro.** Il disordine o le zone di lavoro non illuminate possono essere fonte di incidenti.
- Evitare d'impiegare l'utensile in ambienti soggetti al rischio di esplosioni nei quali si trovino liquidi, gas o polveri infiammabili.** Gli utensili elettrici producono scintille che possono far infiammare la polvere o i gas.
- Mantenere lontani i bambini ed altre persone durante l'impiego dell'utensile elettrico.** Eventuali distrazioni potranno comportare la perdita del controllo sull'utensile.

#### 2) SICUREZZA ELETTRICA

- La spina per la presa di corrente dovrà essere adatta alla presa. Evitare assolutamente di apportare modifiche alla spina. Non impiegare spine adattatrici assieme ad utensili con collegamento a terra.** Le spine non modificate e le prese adatte allo scopo riducono il rischio di scosse elettriche.
- Evitare il contatto fisico con superfici collegate a terra, come tubi, riscaldamenti, cucine elettriche e frigoriferi.** Sussiste un maggior rischio di scosse elettriche nel momento in cui il corpo è messo a massa.
- Custodire l'utensile al riparo dalla pioggia o dall'umidità.** L'eventuale infiltrazione di acqua in un utensile elettrico va ad aumentare il rischio d'insorgenza di scosse elettriche.
- Non usare il cavo per scopi diversi da quelli previsti al fine di trasportare o appendere l'utensile, oppure di togliere la spina dalla presa di corrente. Mantenere l'utensile al riparo da fonti di calore, dall'olio, dagli spigoli o da pezzi in movimento.** I cavi danneggiati o aggrovigliati aumentano il rischio d'insorgenza di scosse elettriche.
- Qualora si voglia usare l'utensile all'aperto, impiegare solo ed esclusivamente cavi di prolunga omologati per l'impiego all'esterno.** L'uso di un cavo di prolunga omologato per l'impiego all'esterno riduce il rischio d'insorgenza di scosse elettriche.
- Qualora non fosse possibile evitare di utilizzare l'utensile in ambiente umido, utilizzare un interruttore di messa a terra.** L'uso di un interruttore di messa a terra riduce il rischio di una scossa elettrica.

#### 3) SICUREZZA DELLE PERSONE

- È importante concentrarsi su ciò che si sta facendo e a maneggiare con giudizio l'utensile durante le operazioni di lavoro. Non utilizzare l'utensile in caso di stanchezza o sotto l'effetto di droghe, bevande alcoliche e medicinali.** Un attimo di distrazione durante l'uso dell'utensile potrà causare lesioni gravi.
  - Indossare sempre equipaggiamento protettivo individuale. Usare sempre protezioni per gli occhi.** Se si avrà cura d'indossare equipaggiamento protettivo individuale come la maschera antipolvere, la calzatura antidistruciolevole di sicurezza, il casco protettivo o la protezione dell'udito, a seconda dell'impiego previsto per l'utensile elettrico, si potrà ridurre il rischio di ferite.
  - Evitare l'accensione involontaria dell'utensile. Prima di collegarlo alla rete di alimentazione elettrica e/o alla batteria ricaricabile, prima di prenderlo oppure prima di iniziare a trasportarlo, assicurarsi che l'utensile sia spento.** Tenendo il dito sopra l'interruttore mentre si trasporta l'utensile oppure collegandolo all'alimentazione di corrente con l'interruttore inserito, si vengono a creare situazioni pericolose in cui possono verificarsi seri incidenti.
  - Togliere gli attrezzi di regolazione o la chiave inglese prima di accendere l'utensile.** Un utensile o una chiave inglese che si trovino in una parte dell'utensile in rotazione potranno causare lesioni.
  - È importante non sopravvalutarsi. Avere cura di mettersi in posizione sicura e di mantenere l'equilibrio.** In tale maniera sarà possibile controllare meglio l'utensile in situazioni inaspettate.
  - Indossare vestiti adeguati. Evitare di indossare vestiti lenti o gioielli. Tenere i capelli, i vestiti ed i guanti lontani da pezzi in movimento.** Vestiti lenti, gioielli o capelli lunghi potranno impigliarsi in pezzi in movimento.
  - Se sussiste la possibilità di montare dispositivi di aspirazione o di captazione della polvere, assicurarsi che gli stessi siano stati installati correttamente e vengano utilizzati senza errori.** L'utilizzo di un'aspirazione polvere può ridurre lo svilupparsi di situazioni pericolose dovute alla polvere.
- #### 4) MANEGGIO ED IMPIEGO ACCURATO DI UTENSILI ELETTRICI
- Non sovraccaricare l'utensile. Impiegare l'utensile elettrico adatto per sbrigare il lavoro.** Utilizzando l'utensile elettrico adatto si potrà lavorare meglio e con maggior sicurezza nell'ambito della gamma di potenza indicata.
  - Non utilizzare utensili elettrici con interruttori difettosi.** Un utensile elettrico che non si può più accendere o spegnere è pericoloso e dovrà essere riparato.
  - Prima di procedere ad operazioni di regolazione sull'utensile, prima di sostituire parti accessorie oppure prima di posare l'utensile al termine di un lavoro, estrarre sempre la spina dalla presa della corrente e/o estrarre la batteria ricaricabile.** Tale precauzione eviterà che l'utensile possa essere messo in funzione inavvertitamente.
  - Custodire gli utensili elettrici non utilizzati al di fuori della portata dei bambini. Non fare usare l'utensile a**

persone che non sono abituate ad usarlo o che non abbiano letto le presenti istruzioni. Gli utensili elettrici sono pericolosi se utilizzati da persone inesperte.

- e) **Effettuare accuratamente la manutenzione dell'utensile. Verificare che le parti mobili dell'utensile funzionino perfettamente e non s'incepino, che non ci siano pezzi rotti o danneggiati al punto tale da limitare la funzione dell'utensile stesso. Far riparare le parti danneggiate prima d'impiegare l'utensile.** Numerosi incidenti vengono causati da utensili elettrici la cui manutenzione è stata effettuata poco accuratamente.
- f) **Mantenere affilati e puliti gli utensili da taglio.** Gli utensili da taglio curati con particolare attenzione e con taglianti affilati s'incepiscono meno frequentemente e sono più facili da condurre.
- g) **Utilizzare utensili elettrici, accessori, attrezzi, ecc. in conformità con le presenti istruzioni. Osservare le condizioni di lavoro ed il lavoro da eseguirsi durante l'impiego.** L'impiego di utensili elettrici per usi diversi da quelli consentiti potrà dar luogo a situazioni di pericolo.
- 5) ASSISTENZA**
- a) **Fare riparare l'utensile solo ed esclusivamente da personale specializzato e solo impiegando pezzi di ricambio originali.** In tale maniera potrà essere salvaguardata la sicurezza dell'utensile.

## AVVERTENZE DI SICUREZZA PER SEGHE CIRCOLARI

### 1) PROCEDURE DI TAGLIO

- a) **⚠ PERICOLO** : Mai avvicinare le mani alla zona operativa e neppure alla lama di taglio. Utilizzare la seconda mano per afferrare l'impugnatura supplementare oppure la carcassa del motore. Tenendo la sega con entrambe le mani si evita che la lama di taglio possa diventare un pericolo per le mani.
- b) **Non mettere le mani sotto il pezzo di lavorazione.** La protezione non può proteggere dalla lama al di sotto del pezzo di lavorazione.
- c) **Regolare la profondità di taglio a seconda dello spessore del materiale.** La lama deve sporgere sotto al pezzo da tagliare per un'altezza inferiore all'altezza del dente.
- d) **Non tenere mai con le mani il pezzo in lavorazione che si intende tagliare e non appoggiarlo neppure sulla gamba. Assicurare il pezzo in lavorazione su un supporto stabile.** Per ridurre al minimo possibile il pericolo di un contatto con il corpo, la possibilità di un blocco della lama di taglio oppure la perdita del controllo, è importante fissare bene il pezzo in lavorazione.
- e) **Quando si eseguono lavori in cui vi è pericolo che l'accessorio impiegato possa arrivare a toccare cavi elettrici nascosti oppure anche il cavo elettrico della macchina stessa, tenere l'elettrooutensile afferrandolo sempre alle superfici di impugnatura isolate.** Un contatto con un cavo elettrico mette sotto tensione anche le parti in metallo dell'elettrooutensile e provoca quindi una scossa elettrica.
- f) **Quando si sega contro la fibra utilizzare un riparo di fibra oppure una guida con bordo dritto.** Questo riduce la possibilità d'inceppamento della lama.
- g) **Utilizzare sempre lame per sega che abbiano la misura corretta ed il foro di montaggio adatto (p. es. a stella oppure rotondo).** In caso di lame per sega inadatte ai relativi pezzi di montaggio, la rotazione non sarà perfettamente circolare e si crea il pericolo di una perdita del controllo.
- h) **Non usare mai rondelle o bulloni di lama errati o danneggiati.** Le rondelle ed i bulloni sono stati progettati appositamente per questa lama, onde ottenere le migliori prestazioni e sicurezza di funzionamento.

### 2) CONTRACCOLPO – CAUSE E RELATIVE AVVERTENZE

- Un contraccolpo è un'improvvisa reazione di una lama grippata, intasata o disallineata che causa la lama non controllata di sollevarsi e fuoriuscire dal pezzo di lavorazione verso l'operatore
  - Quando una lama è grippata o intasata dalla chiusura di un taglio, la lama si stalla e la reazione del motore retro aziona l'unità rapidamente verso l'operatore
  - Se la lama si storce o si disallinea nel taglio, i denti del bordo posteriore della lama possono affondarsi nella superficie superiore del legno causando la fuoriuscita della lama del taglio ed il salto verso l'operatore
  - Un contraccolpo è il risultato del cattivo utilizzo dell'arnese e/o le errate procedure o condizioni del funzionamento che possono essere evitate se si prendono le dovute precauzioni come descritte qui di seguito
- a) **Mantenere una salda presa sulla sega con entrambe le mani e posizionare le braccia in modo da resistere le forze di contraccolpi. Posizionare il corpo ad uno o l'altro lato della lama, ma non dietro alla lama.** Le forze di contraccolpi potrebbe causare un salto all'indietro della sega, ma possono essere controllate dall'operatore, se vengono prese le corrette precauzioni.
- b) **Quando la lama è intasata o quando si interrompe un taglio per qualsiasi ragione, rilasciare il grilletto e mantenere immobile la sega nel materiale fino a quando la lama si arresta completamente. Non tentare mai di rimuovere la sega dal lavoro o tirarla indietro mentre la lama è in movimento poiché si potrebbe causare un contraccolpo.** Investigare e prendere le azioni rettifiche per eliminare la causa dell'intasamento della lama. Evitare di tagliare chiodi o viti.
- c) **Quando si riavviva una sega nel pezzo di lavorazione, centrare la lama nel taglio e controllare che i denti della sega non siano ingaggiati nel materiale.** Se la lama della sega si intasa, potrebbe sollevarsi o causare un contraccolpo dal pezzo di lavorazione mentre la sega viene riavviata.
- d) **Sostenere grandi pannelli per ridurre al minimo il rischio di ripiega o di contraccolpo.** Grandi pannelli tendono a ripiegarsi sotto il proprio peso. È necessario mettere dei supporti dei supporti sotto il pannello ad entrambi i lati, vicino alla linea di taglio e vicino il bordo del pannello.
- e) **Non utilizzare una lama smussata o danneggiata.** Lame non affilate o impostate male producono tagli stretti causando eccessiva frizione, intasamento e contraccolpo.

- f) **La profondità della lama e la regolazione delle leve di bloccaggio della smussatura devono essere ferme e sicure prima di effettuare il taglio.** Se la regolazione della lama si sposta durante il taglio, si potrebbe verificare un'intasatura ed un contraccolpo.
- g) **Procedere con particolare cautela effettuando tagli in pareti esistenti oppure in altri settori che non possono essere controllati.** Durante il taglio la lama di taglio che penetra in oggetti nascosti può bloccarsi e causare un contraccolpo.
- 3) FUNZIONE DEL RIPARO INFERIORE**
- a) **Controllare che il riparo inferiore sia chiuso correttamente prima dell'uso. Non azionare la lama se il riparo inferiore non si muove liberamente e si chiude istantaneamente. Non serrare mai il riparo inferiore nella posizione aperta.** Se la sega cade accidentalmente, il riparo inferiore si potrebbe piegare. Estrarre la spina dalla presa, sollevare il riparo inferiore con la leva di ritorno ed assicurarsi che si muova liberamente e non tocchi la lama o qualsiasi altra parte, in tutti gli angoli e profondità del taglio.
- b) **Controllare il funzionamento della molla del riparo inferiore. Se il riparo e la molla non funzionano correttamente, bisogna effettuare la manutenzione prima dell'uso.** Il riparo inferiore potrebbe funzionare allentato a causa di parti danneggiate, depositi appiccicosi o ad un accumulo di detriti.
- c) **Il riparo inferiore deve essere represso manualmente solamente per tagli speciali quali tagli a tuffo e tagli composti. Sollevare il riparo inferiore mediante la leva di ritorno ed appena la lama entra nel materiale, il riparo inferiore deve essere rilasciato.** Per tutti gli altri tipi di taglio, il riparo inferiore dovrebbe funzionare automaticamente.
- d) **Osservare sempre che il riparo inferiore copra la lama prima di poggiare la sega su di un banco o sul pavimento.** Una lama non protetta, in movimento per inerzia causa il retro movimento della sega, tagliando tutto ciò che trova nel suo percorso. Fare attenzione al tempo che una lama impiega per arrestarsi dopo che l'interruttore viene rilasciato.

## ULTERIORI AVVERTENZE DI SICUREZZA

### NOTE GENERALI

- Questo utensile non dev'essere utilizzato da persone di età inferiore ai 16 anni
- Quest'utensile non può lavorare con acqua
- **Staccate sempre la spina dell'utensile prima di effettuare regolazioni o cambiare gli accessori**
- Non usare l'utensile quando il cavo è danneggiato; farlo sostituire da personale qualificato
- **Non lavorare mai materiali contenenti amianto** (l'amianto è ritenuto materiale cancerogeno)
- Le polveri di materiali come vernici contenenti piombo, alcune specie di legno, minerali e metallo possono essere nocive (il contatto con queste polveri o la loro inalazione possono causare reazioni allergiche e/o disturbi respiratori all'operatore o ad altre persone presenti sul posto); **indossare una maschera protettiva per la polvere e utilizzare un dispositivo per l'estrazione della polvere se è presente una presa di collegamento**

- Alcuni tipi di polvere sono classificati come cancerogeni (quali le polveri di quercia e faggio) specialmente se associate ad additivi per il trattamento del legno;
- **indossare una maschera protettiva per la polvere e utilizzare un dispositivo per l'estrazione della polvere se è presente una presa di collegamento**
- Rispettare le istruzioni nazionali riguardanti l'estrazione della polvere per i materiali in lavorazione
- Usate solo tavoli da taglio dotati di interruttori che impediscano il riavviamento automatico dopo un'interruzione di corrente
- Usate solo tavoli da taglio dotati di una guida di taglio

### ACCESSORI

- La SKIL garantisce un perfetto funzionamento dell'utensile soltanto se vengono utilizzati accessori originali
- Utilizzate solo accessori il cui numero massimo di giri corrisponda almeno al massimo dei numeri di giri dell'utensile
- **Utilizzare solo lame con un diametro minimo di 170 mm e massimo di 184 mm e con un diametro del foro di 16 mm**
- Mai utilizzate lame per sega in acciaio ad alta velocità (HSS)
- Non usare mai mole da smeriglio/taglio con quest'utensile

### PRIMA DELL'USO

- Controllare che la tensione dell'alimentazione sia la stessa di quella indicata sulla targhetta dell'utensile (gli utensili con l'indicazione di 230V o 240V possono essere collegati anche alla rete di 220V)
- Evitate possibili danneggiamenti da viti e chiodi sporgenti; rimuoverli prima di iniziare la lavorazione
- Rimuovete tutti gli ostacoli sopra e sotto la linea di taglio prima di iniziare il lavoro
- **Fissare il pezzo da lavorare** (un pezzo in lavorazione rimane bloccato in posizione con maggiore sicurezza se fissato con appositi dispositivi di serraggio o con una morsa e non tenendolo con la mano)
- **Al fine di rilevare possibili linee di alimentazione nascoste, utilizzare adeguate apparecchiature di ricerca oppure rivolgersi alla locale società erogatrice** (un contatto con linee elettriche può provocare lo sviluppo di incendi e di scosse elettriche; danneggiando linee del gas si può creare il pericolo di esplosioni; penetrando una tubazione dell'acqua si provocano seri danni materiali oppure vi è il pericolo di provocare una scossa elettrica)
- Usare cavi di prolunga completamente srotolati e sicure con una capacità di 16 Amp

### DURANTE L'USO

- Durante le operazioni di lavoro il livello di rumorosità può superare 85 dB(A); utilizzare le cuffie di protezione
- Non usate mai l'utensile senza il suo sistema protettivo originale
- Non cercate di tagliare pezzi estremamente piccoli
- Lavorate solo su un piano orizzontale
- Nel caso l'utensile si blocchi o di cattivo funzionamento elettrico o meccanico, spegnete subito l'utensile e staccate la spina
- Se durante un'operazione di lavoro viene danneggiato oppure troncato il cavo, non toccare il cavo ma estrarre immediatamente la spina dalla presa

## DOPO L'USO

- Quando riponete l'utensile accertatevi che non ci siano parti in movimento e che il motore sia spento
- Dopo lo spegnimento della sega circolare, non arrestate mai la rotazione della lama applicandovi una forra lateralmente

## USO

- Montaggio della lama da sega ③
  - ! **estrarre la spina dalla presa**
  - prendete la chiave esagonale A dall'alloggiamento B
  - premete il pulsante C del blocco alberino e tenete premuto mentre rimuovete il bullone della lama D con la chiave esagonale
  - ! **premete il pulsante C del blocco alberino soltanto quando l'utensile è a riposo**
  - rilasciate il pulsante C del blocco alberino
  - rimuovete la flangia E
  - aprite la protezione inferiore F con la leva G e tenetela aperta mentre si monta la lama con i suoi denti e freccia stampata sulla lama rivolti verso la stessa direzione della freccia sulla protezione superiore
  - rilasciate la protezione inferiore F
  - montate la flangia E
  - ! **assicurarsi che le superfici di fermo delle flange H siano perfettamente pulite e rivolte verso la lama**
  - premete il pulsante C e tenete premuto mentre serrate il bullone della lama con la chiave esagonale di 1/8 di giro (assicura lo slittamento della lama nel caso in cui si presentino uno sforzo eccessivo nell'operazione di taglio, così diminuendo il sovraccarico del motore e il contraccolpo della sega)
  - rilasciate il pulsante C del blocco alberino
- Regolazione della profondità di taglio (0-65 mm) ④
  - per una qualità di taglio ottimale la lama non dovrebbe uscire oltre 3 mm al di sotto del pezzo in lavorazione
  - allentate il bottone J
  - sollevate/abbassate il piede K fino alla profondità desiderata sulla scala utilizzando l'indicatore L
  - serrate il bottone J
- Regolazione dell'angolo di taglio (0-45°) ⑤
  - allentate il bottone M
  - capovolgete l'utensile fino all'angolo desiderato sulla scala utilizzando l'indicatore N
  - serrate il bottone M
  - ! **con tagli obliqui la profondità di taglio non corrisponde al valore indicato sulla scala di profondità di taglio**
- Controllo della perpendicolarità di taglio (90°) ⑤
  - regolate e serrate il piede K alla massima profondità di taglio ④
  - regolate e serrate l'angolo di taglio a 0°
  - controllate l'angolo di 90° tra lama e piede con una squadra
  - si è necessaria una regolazione, allentate il bottone M e utilizzate l'apposita vite P come illustrato
- Visore regolabile della linea di taglio Q ⑥ a
  - per guidare l'utensile sulla linea di taglio marcata sul pezzo in lavorazione
  - per tagli a 0° o 45° utilizzare la linea di taglio concernente

- ! **la più larga parte del piede deve poggiare sulla parte supportata del pezzo in lavorazione**
- può essere regolato per consentire di scegliere se lo sfrido è dalla parte interna o esterna della lama ⑥ b
- ! **la larghezza di taglio è determinata dalla larghezza dei denti della lama**
- ! **effettuate sempre delle prove prima di procedere al taglio**
- Aspirazione della polvere
  - montate l'aspirapolvere sulla prolunga R ⑦
  - ! **tenete lontano il tubo dell'aspirapolvere dalla protezione inferiore o dalla zona di taglio**
  - si può utilizzare anche un sacchetto raccogli-polvere (accessorio SKIL 2610387402)
  - ! **non usare il sacchetto della polvere/l'aspirapolvere quando si tagliano metalli**
- Uso dell'utensile ⑦
  - inserite la spina nella presa di corrente
  - sempre tenete saldamente l'impugnatura S con una mano e l'impugnatura T con l'altra mano
  - collocate l'utensile con l'estremità frontale della base in posizione orizzontale sul pezzo in lavorazione
  - ! **assicurarsi che la lama non tocchi il pezzo in lavorazione**
  - accendete l'utensile premendo dapprima il pulsante V (= interruttore di sicurezza, che non può essere bloccato) e poi schiacciando l'interruttore W
  - ! **l'utensile deve avere la massima velocità prima che la lama entri nel pezzo in lavorazione**
  - la protezione inferiore F si apre automaticamente quando la lama entra nel pezzo in lavorazione (aprite la protezione inferiore manualmente con la leva G solamente per tagli speciali come tagli dal pieno)
  - ! **non forzare l'utensile** (applicare una pressione leggera e continua per evitare un surriscaldamento delle punte della lama e di fondere la plastica, se si sta tagliando plastica)
  - ! **durante la lavorazione, impugna l'utensile sempre in corrispondenza della(e) area(e) grigia(e)**
  - dopo aver realizzato il taglio, spegnete il vostro utensile rilasciando l'interruttore W
  - ! **prima di rimuovere l'utensile del pezzo da lavorare assicuratevi che la lama sia ferma**

## CONSIGLIO PRATICO

- Usando il binario di guida (accessorio SKIL 2610Z04064) in combinazione con l'adattatore, la profondità di taglio risulta ridotta di 14 mm per tagli a 90° e 45°
- Posizionate la parte più rifinita del pezzo in lavorazione verso il basso
- Usate solo lame affilate e del tipo suggerito ⑧
  - la qualità di taglio è proporzionale al numero dei denti
  - lame con denti riportati al carburo conservano l'affilatura 30 volte più a lungo
- Guida parallela Y ⑨
  - per tagli precisi lungo un bordo del pezzo in lavorazione
  - può essere inserita sia alla destra che alla sinistra parte del piede
- Regolazione della guida parallela
  - allentate il bottone Z

- regolate alla larghezza di taglio desiderata utilizzando la scala della guida parallela (utilizzare il visore Q della linea di taglio come 0-riferimento)
- serrate il bottone Z
- Taglio dal pieno <sup>10</sup>
  - fissate la profondità di taglio desiderata
  - inclinate l'utensile in avanti con il visore della linea di taglio Q allineato con la linea di taglio desiderata marcata sul pezzo in lavorazione
  - aprite la protezione inferiore F con la leva G
  - proprio prima che la lama entri nel pezzo in lavorazione, accendete l'utensile e abbassate gradualmente la parte posteriore facendo perno sulla parte anteriore del piede
  - gradualmente spingete l'utensile in basso e in avanti
  - appena la lama entra nel materiale, rilasciate la leva G
- ! **non tirate mai l'utensile indietro**
- Taglio di pannelli larghi <sup>11</sup>
  - supportate il pannello vicino al taglio sia in terra, sulla tavola che sul banco di lavoro
- ! **fissate la profondità di taglio in modo da non tagliare il supporto**
- nel caso la guida parallela sia troppo corta, fissate sul pezzo in lavorazione un legno diritto come guida, e utilizzate la parte destra del piede contro questa guida

## MANUTENZIONE / ASSISTENZA

- Questo utensile non è inteso per un uso professionale
- Tenete sempre puliti utensile e cavo (soprattutto le feritoie di ventilazione)
- ! **prima di pulire estrarre la spina dalla presa**
- Tenere sempre l'area attorno alla guida inferiore F <sup>3</sup> pulita (rimuovere polvere e trucioli soffiando con l'aria compressa oppure utilizzare una spazzola)
- Pulite la lama immediatamente dopo l'uso (specie da resina o colla)
- Se nonostante gli accurati procedimenti di produzione e di controllo l'utensile dovesse guastarsi, la riparazione va fatta effettuare da un punto di assistenza autorizzato per gli elettroutensili SKIL
- inviare l'utensile **non smontato** assieme alle prove di acquisto al rivenditore oppure al più vicino centro assistenza SKIL (l'indirizzo ed il disegno delle parti di ricambio dell'utensile sono riportati su [www.skil.com](http://www.skil.com))

## TUTELA DELL'AMBIENTE

- **Non gettare l'utensile elettrico, gli accessori e l'imballaggio tra i rifiuti domestici** (solo per paesi UE)
- secondo la Direttiva Europea 2012/19/CE sui rifiuti di utensili elettrici ed elettronici e la sua attuazione in conformità alle norme nazionali, gli utensili elettrici esausti devono essere raccolti separatamente, al fine di essere reimpiagati in modo eco-compatibile
- il simbolo <sup>12</sup> vi ricorderà questo fatto quando dovrete eliminarlo

## DICHIARAZIONE DEI CONFORMITÀ CE

### Sega circolare 5665/5765

#### Dati tecnici <sup>1</sup>

- Assumendone la piena responsabilità, dichiariamo che il prodotto descritto nei "Dati tecnici" è conforme alle seguenti normative ed ai relativi documenti: EN 60745, EN 61000, EN 55014 in base alle prescrizioni delle direttive 2014/30/UE, 2006/42/EG, 2011/65/UE
- **Fascicolo tecnico presso:** SKIL Europe BV (PT-SEU/ENG1), 4825 BD Breda, NL

Marijn van der Hoofden  
Operations & Engineering

Olaf Dijkgraaf  
Approval Manager

SKIL Europe BV, 4825 BD Breda, NL

16.10.2014

#### RUMOROSITÀ/VIBRAZIONE

- Misurato in conformità al EN 60745 il livello di pressione acustica di questo utensile è 97 dB(A) ed il livello di potenza acustica 108 dB(A) (deviazione standard: 3 dB), e la vibrazione \* m/s<sup>2</sup> (somma dei vettori in tre direzioni; incertezza K = 1,5 m/s<sup>2</sup>)
  - \* quando si tagliano legno 2,6 m/s<sup>2</sup>
  - \* quando si tagliano metalli 2,2 m/s<sup>2</sup>
- Il livello di emissione delle vibrazioni è stato misurato in conformità a un test standardizzato stabilito dalla norma EN 60745; questo valore può essere utilizzato per mettere a confronto un l'utensile con un altro o come valutazione preliminare di esposizione alla vibrazione quando si impiega l'utensile per le applicazioni menzionate
  - se si utilizza l'utensile per applicazioni diverse, oppure con accessori differenti o in scarse condizioni, il livello di esposizione potrebbe **augmentare** notevolmente
  - i momenti in cui l'utensile è spento oppure è in funzione ma non viene effettivamente utilizzato per il lavoro, possono contribuire a **ridurre** il livello di esposizione
- ! **protegersi dagli effetti della vibrazione effettuando la manutenzione dell'utensile e dei relativi accessori, mantenendo le mani calde e organizzando i metodi di lavoro**

H

Körfűrész

5665/5765

## BEVEZETÉS

- A készülék rögzített fa munkadarabokban végzett egyenesvonalú hosszanti és keresztirányú, valamint 45°-os illesztésekhez szolgáló vágások végrehajtására szolgál; megfelelő fűrészlapok használatával a készülék szinesfémek, könnyű építési anyagok és műanyagok fűrészelésére is alkalmazható
- A szerszám nem professzionális használatra készült
- Olvassa el figyelmesen és őrizze meg a használati utasítást <sup>2</sup>



# MŰSZAKI ADATOK ①

## BIZTONSÁG

### ÁLTALÁNOS BIZTONSÁGI ELŐÍRÁSOK

**FIGYELEM!** Olvassa el az összes biztonsági figyelmeztetést és előírást. A következőkben leírt előírások betartásának elmulasztása áramütésekhez, tűzhöz és/vagy súlyos testi sérülésekhez vezethet. **Kérjük a későbbi használatra gondosan őrizze meg ezeket az előírásokat.** Az alább alkalmazott elektromos kéziszerszám fogalom a hálózati elektromos kéziszerszámokat (hálózati csatlakozó kábelrel) és az akkumulátoros elektromos kéziszerszámokat (hálózati csatlakozó kábel nélkül) foglalja magában.

#### 1) MUNKAHELYI BIZTONSÁG

- Tartsa tisztán és tartsa rendben a munkahelyét.**  
Rendetlen munkahelyek vagy megvilágítatlan munkaterületek balesetekhez vezethetnek.
- Ne dolgozzon az elektromos kéziszerszámmal olyan robbanásveszélyes környezetben, ahol éghető folyadékok, gázok vagy porok vannak.** Az elektromos kéziszerszámok szikrákat bocsáthatnak ki, amelyek meggyújthatják a port vagy a gőzöket.
- Tartsa távol a gyerekeket és az idegen személyeket a munkahelytől, ha az elektromos kéziszerszámot használja.** Ha elvonják a figyelmét a munkától, könnyen elvesztheti az uralmát a berendezés felett.

#### 2) ELEKTROMOS BIZTONSÁGI ELŐÍRÁSOK

- A készülék csatlakozó dugójának bele kell illeszkednie a dugaszolóaljzatba. A csatlakozó dugót semmilyen módon sem szabad megváltoztatni. Védőfóldeléssel ellátott készülékekkel kapcsolatban ne használjon csatlakozó adaptert.** A változtatás nélküli csatlakozó dugók és a megfelelő dugaszoló aljzatok csökkentik az áramütés kockázatát.
- Ne érjen hozzá földelt felületekhez, mint csövekhez, fűtőtestekhez, kályhákhoz és hűtőszekrényekhez.** Az áramütési veszély megnövekszik, ha a teste le van földelve.
- Tartsa távol az elektromos kéziszerszámot az esőtől és a nedvesség hatásaitól.** Ha víz hatol be egy elektromos kéziszerszámba, ez megnöveli az áramütés veszélyét.
- Ne használja a kábelt a rendeltetésétől eltérő célokra, vagyis a szerszámot soha ne hordozza vagy akassza fel a kábelnél fogva, és soha ne húzza ki a hálózati csatlakozó dugót a kábelnél fogva. Tartsa távol a kábelt hőforrásoktól, olajtól, éles élektől, sarkaktól és mozgó géppalatrészekről.** Egy megrongálódott vagy csomókkal teli kábel megnöveli az áramütés veszélyét.
- Ha egy elektromos kéziszerszámmal a szabad ég alatt dolgozik, csak a szabadban való használatra engedélyezett hosszabbítót használjon.** A szabadban való használatra engedélyezett hosszabbító használata csökkenti az áramütés veszélyét.
- Ha nem lehet elkerülni az elektromos kéziszerszám nedves környezetben való használatát, alkalmazzon**

**egy földzárlat megszakítót.** Egy földzárlat megszakító alkalmazása csökkenti az áramütés kockázatát.

#### 3) SZEMÉLYI BIZTONSÁGI ELŐÍRÁSOK

- Munka közben mindig figyeljen, ügyeljen arra, amit csinál, és meggondoltan dolgozzon az elektromos kéziszerszámmal. Ha fáradt, ha kábítószerek vagy alkohol hatása alatt áll, vagy orvszágokat vett be, ne használja a berendezést.** A berendezéssel végzett munka közben már egy pillanatnyi figyelmetlenség is komoly sérülésekhez vezethet.
  - Viseljen személyi védőfelszerelést és mindig viseljen védőszemüveget.** A személyi védőfelszerelések, mint porvédő álarc, csúszásbiztos védőcipő, védősapka és fülvédő használata az elektromos kéziszerszám használata jellegének megfelelően csökkenti a személyes sérülések kockázatát.
  - Kerülje el a készülék akaratlan üzembe helyezését. Győződjön meg arról, hogy az elektromos kéziszerszám ki van kapcsolva, mielőtt bedugná a csatlakozó dugót a dugaszolóaljzatba, csatlakoztatná az akkumulátor-csomagot, és mielőtt felvenné és vinni kezdené az elektromos kéziszerszámot.** Ha az elektromos kéziszerszám felemelése közben az ujját a kapcsolón tartja, vagy ha a készüléket bekapcsolt állapotban csatlakoztatja az áramforráshoz, ez balesetekhez vezethet.
  - Az elektromos kéziszerszám bekapcsolása előtt okvetlenül távolítsa el a beállító szerszámokat vagy csavarkulcsokat.** Az elektromos kéziszerszám forgó részeiben felejtett beállító szerszám vagy csavarkulcs sérüléseket okozhat.
  - Ne becsülje túl önmagát. Kerülje el a normálistól eltérő testtartást, ügyeljen arra, hogy mindig biztosan álljon és az egyensúlyát megtartsa.** Így az elektromos kéziszerszám felett várható helyzetekben is jobban tud uralkodni.
  - Viseljen megfelelő ruhát. Ne viseljen bő ruhát vagy ékszereket. Tartsa távol a haját, a ruháját és a kesztyűjét a mozgó részekről.** A bő ruhát, az ékszereket és a hosszú haját a mozgó alkatrészek magukkal ránthatják.
  - Ha az elektromos kéziszerszámra fel lehet szerelni a por elszívásához és összegyűjtéséhez szükséges berendezéseket, ellenőrizze, hogy azok megfelelő módon hozzá vannak kapcsolva a készülékhez és rendeltetésüknek megfelelően működnek.** A porgyűjtő berendezések használata csökkenti a munka során keletkező por veszélyes hatását.
- #### 4) AZ ELEKTROMOS KÉZISZERSZÁMOK GONDOS KEZELÉSE ÉS HASZNÁLATA
- Ne terhelje túl az elektromos kéziszerszámot. A munkájához csak az arra szolgáló elektromos kéziszerszámot használja.** Egy alkalmas elektromos kéziszerszámmal a megadott teljesítménytartományon belül jobban és biztonságosabban lehet dolgozni.
  - Ne használjon olyan elektromos kéziszerszámot, amelynek a kapcsolója elromlott.** Egy olyan elektromos kéziszerszám, amelyet nem lehet sem be-, sem kikapcsolni, veszélyes és meg kell javíttatni.
  - Húzza ki a csatlakozó dugót a dugaszolóaljzattól és/vagy az akkumulátor-csomagot az elektromos**

- kéziszerszámból, mielőtt az elektromos kéziszerszámon beállítási munkákat végez, tartozékokat cserél vagy a szerszámot tárolásra elteszi. Ez az elővigyázatossági intézkedés meggátolja a szerszám akaratlan üzembe helyezését.
- d) **A használaton kívüli elektromos kéziszerszámokat olyan helyen tárolja, ahol azokhoz gyerekek ne férhessenek hozzá. Ne hagyja, hogy olyan személyek használják az elektromos kéziszerszámot, akik nem ismerik a szerszámot, vagy nem olvasták el ezt az útmutatót.** Az elektromos kéziszerszámok veszélyesek, ha azokat gyakorlatlan személyek használják.
- e) **A készüléket gondosan ápolja. Ellenőrizze, hogy a mozgó alkatrészek kifogástalanul működnek-e, nincsenek-e beszorulva, és nincsenek-e eltörve vagy megrongálódva olyan alkatrészek, amelyek hatással lehetnek az elektromos kéziszerszám működésére. A megrongálódott részeket a készülék használata előtt javíttassa meg.** Sok olyan baleset történik, amelyet az elektromos kéziszerszám nem kielégítő karbantartására lehet visszavezetni.
- f) **Tartsa tisztán és éles állapotban a vágószerszámokat.** Az éles vágóélekkel rendelkező és gondosan ápolott vágószerszámok ritkábban ékelődnek be és azokat könnyebben lehet vezetni és irányítani.
- g) **Az elektromos kéziszerszámokat, tartozékokat, betétszerszámokat stb. csak ezen előírásoknak használja. Vegye figyelembe a munkafeltételeket és a kivitelezendő munka sajátosságait.** Az elektromos kéziszerszám eredeti rendeltetésétől eltérő célokra való alkalmazása veszélyes helyzetekhez vezethet.
- 5) SZERVIZ**
- a) **Az elektromos kéziszerszámot csak szakképzett személyzet és csak eredeti pótalkatrészek felhasználásával javíthatja.** Ez biztosítja, hogy az elektromos kéziszerszám biztonságos szerszám maradjon.

## BIZTONSÁGI ELŐÍRÁSOK KÖRFŰRÉSZEKHEZ

### 1) FŰRÉSZELESI ELJÁRÁS

- a) **⚠ VESZÉLY:** Sohase tegye be a kezét a fűrészelési területre és sohase érjen hozzá a fűrészlaphoz. Fogja meg a másik kezével a pótfogantyút vagy a motorházat. Ha mindkét kezével fogja a fűrész, a fűrészlap nem sértheti meg a kezét.
- b) **Ne érintse a munkadarab alsó részét.** A védőburkolat nem nyújt védelmet a fűrészlappal szemben a munkadarab alsó részénél.
- c) **Állítsa be a vágási mélységet, a munkadarab vastagságának megfelelően.** Legkevesebb a vágótárcsa 1 fogának kell látszódnia a munkadarab túlóldalán.
- d) **Sohase a kezével, vagy a lábán, vagy a lábával próbálja meg a fűrészelésre kerülő munkadarabot lefogni. A megmunkálásra kerülő munkadarabot mindig egy stabil felfogó egységre rögzítse.** Nagyon fontos, hogy a munkadarabot biztonságosan rögzítse, hogy csökkentse annak veszélyét, hogy a munkadarab vagy a készülék nekivágódjon valamelyik testrésznek, a fűrészlap beékelődjön, vagy hogy a kezelő elveszítse az uralmát a körfűrész felett.

- e) **Az elektromos kéziszerszámot csak a szigetelt fogantyúfelületeknél fogva tartsa, ha olyan munkát végez, amelynek során a betétszerszám feszültség alatt álló, kívülről nem látható vezetékekhez, vagy a készülék saját hálózati csatlakozó kábeljéhez érhet.** Ha a berendezés egy feszültség alatt álló vezetékhez ér, az elektromos kéziszerszám fémrészei szintén feszültség alá kerülnek és áramütéshez vezetnek.
- f) **Hasítás esetén mindig használjon vezetőlécezt vagy egy egyenes élvezetőt.** Ez javítja a forgácsolás pontosságát és csökkenti a fűrészlap berágódásának lehetőségét.
- g) **Mindig csak a helyes méretű és a készüléknek megfelelő rögzítő (például csillag alakú vagy körkeresztmetszetű) nyílással ellátott fűrészlapokat használjon.** Azok a fűrészlapok, amelyek nem illeszkednek hozzá a fűrész rögzítő alkatrészeihez, nem futnak körben és ahhoz vezetnek, hogy a kezelő elveszti a készülék feletti uralmát.
- h) **Soha ne használjon sérült, vagy pontatlan méretű alátéteket vagy csavarokat.** A fűrészlap alátéteit és a csavart - az optimális és biztonságos üzemeltetés érdekében - kimondottan a berendezéshez tervezték.
- 2) VISSZAÜTÉS - OKOK ÉS MEGFELELŐ ELŐÍRÁSOK**
- A visszaütés egy olyan hirtelen reakciója a beékelődött, berágódott vagy nem tengelyvonalba illeszkedő fűrészlapnak, amely a kontrollálhatatlanná vált szerszám felemelkedését, illetve a szerszámnak a munkadarabból, a használó fele történő kiugrását eredményezi
  - Amikor a vágási rés behúzásakor a fűrészlap beszorul illetve erősen berágódik, a fűrészlap forgása lelassul, és a motor-visszahatás a szerszámot rohamosan a szerszám használójának irányába kényszeríti
  - Ha a fűrészlap elfintul vagy a vágási résből kilép, a fűrészlap hátsó részénél lévő fogak belekaphatnak a fa felületébe, mely a fűrészlapnak a vágási résből történő kiugrását és a szerszámnak a használó irányába történő visszaütését eredményezi
  - A visszaütés a szerszám helytelen és/vagy nem rendeltetésszerű használatából illetve rendellenes körülményekből fakad, és az alább javasolt megfelelő elővigyázatosság betartása révén elkerülhető
- a) **Használat közben fogja a szerszámot két kézzel, és karjai úgy helyezkedjenek el, hogy ellenálljon a visszaütés következtében fellépő erőnek. Ügyeljen arra, hogy teste a vágótárcsa jobb vagy bal oldalán helyezkedjen el, és sohasem a fűrészlappal egyvonalban.** A visszaütő erő következtében a szerszám hátrafele ugorhat, amelyet azonban a fentiekben leírt biztonsági óvintézkedésekkel a felhasználó biztonsággal uralhat, amennyiben betartja ezeket.
- b) **A fűrészlap beékelődése, vagy a vágási folyamat bármely okból történő megszakadása esetén, engedje el a kioldó gombot, és tartsa mozdulatlanul a fűrészgépet az anyagban, amíg a fűrészlap teljesen le nem áll. Soha ne húzza visszafele a fűrészlapot, illetve ne próbálja eltávolítani a szerszámot a munkadarabból a fűrészlap mozgó állapotában, vagy a szerszám esetleges visszaütése során.** Vizsgálja ki az okot, és tegyen megfelelő lépéseket a fűrészlap beszorulásának megelőzése érdekében. Kerülje a szögek/csavarok elvágását.

- c) **A forgácsolós újraindításakor, helyezze a fűrészlapot a vágási részbe, és ellenőrizze, hogy a fogak ne legyenek beakaszodva a munkadarabba.**  
Ha a fűrészlap szorul, előfordulhat, hogy a szerszám újraindításakor a fűrészlap szabálytalanul kiugrik a vágási résből vagy szerszám visszaüt.
- d) **A nagyméretű lemezeket támassza alá, hogy ennek révén minimumra csökkentse a fűrészlap beékelődésének és a visszaütésnek rizikóját.**  
Nagyméretű lemezek, saját súlyuknál fogva, hajlamosak a belógásra. A lemezt, közel a vágásvonalhoz és a lemez széléhez, mindkét végén alá kell támasztani.
- e) **Ne használjon életlen vagy megrongálódott fűrészlapot.** Életlen vagy helytelenül illesztett fűrészlap keskeny vágási rést hoz létre, amely túlzott sűrűdést, a fűrészlap berágódását és visszaütést eredményez.
- f) **Forgácsolás megkezdése előtt, a vágásmélységet és a vágási szöveget beállító rögzítőkarokat meg kell szorítani illetve rögzíteni kell.** Ha a vágási művelet során a fűrészlap-beállítás elcsúszik, előfordulhat, hogy a fűrészlap beszorul vagy a szerszám visszaüt.
- g) **Ha egy meglévő falban, vagy más be nem látható területen fűrészrel, járjon el különös óvatossággal.** Az anyagba besüllyedő fűrészlap a fűrészelés közben kívülről nem látható akadályokban megakadhat és egy visszarúgáshoz vezethet.
- 3) A ALSÓ FÜRÉSZLAPVÉDŐ PAJZSOT MŰKÖDÉSE**
- a) **Minden egyes használat előtt ellenőrizze az alsó fűrészlapvédő pajzsot annak megfelelő csukódása szempontjából. Ne üzemeltesse a szerszámot, ha az alsó fűrészlapvédő pajzs nem mozog szabadon, illetve nem csukódik be azonnal. Soha ne rögzítse vagy kösse ki az alsó fűrészlapvédő pajzsot annak nyitott állapotában.** Ha a szerszám véletlenül leesik, az alsó fűrészlapvédő pajzs behorpadhat. Húzzuk ki a kábel dugóját a csatlakozóaljzatból, emelje fel a pajzsot a visszahúzó fogantyúnál fogva, és ellenőrizze a burkolatot, hogy az szabadon mozogjon, illetve ne érintse a fűrészlapot vagy a szerszám más részét egyetlen vágómélység/-szög esetén sem.
- b) **Ellenőrizze az alsó fűrészlapvédő pajzs rugójának működését. Ha a védőburkolat és a rugó nem működik rendszeren, használat előtt szervizelni kell a szerszámot.** Előfordulhat, hogy az alsó fűrészlapvédő pajzs lassan működik a megsérült alkatrészek, tapadós bevonat, lerakódott anyagrézsecskék miatt.
- c) **Az alsó fűrészlapvédő pajzsot csak olyan sajátos helyzetben szabad kézzel lehajtani, mint pl. beszűrő vagy összetett forgácsolás.** Emelje meg az alsó pajzsot a visszahúzó fogantyúnál fogva, és amint a fűrészlap behatol az anyagba, engedje el. Minden más vágóművelet esetén az alsó fűrészlapvédő pajzsnak automatikusan kell működnie.
- d) **Mielőtt a szerszámot a munkapadra vagy a földre helyezné, minden esetben ellenőrizze, hogy az alsó fűrészlapvédő pajzs fedi-e a fűrészlapot.** Egy véletlen fűrészlap, vagy egy lelassuló mozgás a fűrészlap visszafele történő mozgását eredményezi, elvágva mindent ami az útjába kerül. Legyen tudatában a kioldó gomb elengedése és a fűrészlap leállása közt eltelt időtartamnak.

## KIEGÉSZÍTŐ BIZTONSÁGI ELŐÍRÁSOK

### ÁLTALÁNOS TUDNIVALÓK

- A készüléket csak 16 éven felüli személyek használják
- Ez a készülék nedves vágási munkálatokhoz nem használható
- **Mindig húzza ki a dugaszolóaljzatot mielőtt tartozékot cserélne vagy bármit változtatna a gép beállításán**
- Soha ne használja a szerszámot ha a kábel sérült; cseréltesse ki szakértő által
- **Ne munkáljon meg a berendezéssel azbeszтет tartalmazó anyagokat** (az azbeszтnek rákkeltő hatása van)
- Az anyagból származó por (mint például az olmot, néhány fafajtát, ásványi anyagokat és fémet tartalmazó festék) káros lehet (a por érintése vagy belégzése allergiás reakciókat és/vagy légzőszervi betegségeket okozhat a kezelő, illetve a közelben állók esetében); **viseljen pormaszkot és amennyiben csatlakoztatható, dolgozzon porszívó berendezéssel**
- Bizonyos porfajták rákkeltő besorolással rendelkeznek (ilyen például a tölgy- és a bükkfa pora), különösen a fa kondicionálására szolgáló adalékokkal együtt; **viseljen pormaszkot és amennyiben csatlakoztatható, dolgozzon porszívó berendezéssel**
- Kövesse a por kezelésével kapcsolatos helyi előírásokat azon termékkel kapcsolatosan, amellyel dolgozni kíván
- Kizárólag integrált kapcsolóval ellátott körfűrészasztalt használjon, amely egy esetleges áramszünet után megakadályozza a gép újraindítását
- Kizárólag integrált hasítóéket ellátott körfűrészasztalt használjon

### TARTOZÉKOK

- SKIL cég kizárólag eredeti alkatrészek és kiegészítők alkalmazása esetén tudja garantálni a gép problémamentes működését
- Csak olyan tartozékokat használjon, amelyek legmagasabb megengedett fordulatszáma legalább akkora, mint a berendezés legmagasabb üresjárati fordulatszáma
- **Csak 16 mm tengelyfurat átmérővel rendelkező, 170 mm és 184 mm közötti külső átmérőjű fűrészlapot használjon**
- Sohasem használja készülékét HSS acélból készült fűrészlappal
- Ezt a készülékhez ne használjon csiszoló- vagy vágókorongot

### HASZNÁLAT ELŐTT

- Mindig ellenőrizze, hogy a hálózati feszültség megegyezik-e a gép adattábláján feltüntetett értékkel (a 230V vagy 240V jelzésű gépek 220V feszültségre is csatlakoztathatók)
- Ügyeljen arra, hogy a munkadarabban lévő csavar, szög vagy hasonló sérüléseket ne okozhasson; a munka megkezdése előtt eltávolítandó
- Mielőtt elkezdené a vágást, távolítsa el minden akadályt a vágási vonal elől
- **Rögzítse a munkadarabot** (befogókészülékkel vagy satuval befogott munkadarabot sokkal biztonságosabban lehet rögzíteni mint a kézzel tartottat)

- **A rejtett vezetékek felkutatásához használjon alkalmas fémkereső készüléket, vagy kérje ki a helyi energiaellátó vállalat tanácsát** (ha egy elektromos vezetékeket a berendezéssel megérint, ez tűzhöz és áramütéshez vezethet; egy gázvezeték megrongálása robbanást eredményezhet; egy vízvezetékbe való behatolás anyagi károkoz és áramütéshez vezethet)
- Használjon teljesen letekert és biztonságos hosszabbítókábelt, 16 A-es teljesítménnyel

### HASZNÁLAT KÖZBEN

- Munka közben a zaj meghaladhatja a 85 dB(A); használjon fülvédőt
- Sohase használja a készüléket az eredeti védőburkolat nélkül
- Ne próbáljon nagyon kisméretű munkadarabot vágni
- A géppel ne dolgozzon feje felett
- Amennyiben készüléke hirtelen megáll vagy a normálistól eltérő működést ill. szokatlan, idegen furcsa zajokat észlel, úgy a készüléket azonnal kapcsolja ki és a kábelt húzza ki a fali dugaszoló aljzatból
- Ha a kábel munka közben megsérül vagy el van vágva, ne érjen a kábelhoz, hanem azonnal húzza ki a konektorból

### A HASZNÁLATOT KÖVETŐEN

- A gépet soha ne hagyja bekapcsolt állapotban, ha már nem dolgozik vele
- Készülékének kikapcsolása után a fűrészlappal leállítását semmilyen külső behatással (kézzel, valamely tárggyal), ne kíséreljen meg gyorsítani

## KEZELÉS

- Fűrészlappal felszerelése ③
  - ! **húzzuk ki a kábel dugóját a csatlakozóaljzatból**
  - vegye ki a hatszögkulcsot A a tartóból B
  - nyomja be a tengelyt reteszelő C gombot és tartsa benyomva, amíg a hatszögkulcsot az elfordítva eltávolítja a fűrészlappal D szorítócsavarját
  - ! **csak akkor nyomja be a tengelyt reteszelő C gombot, amikor a készülék üzemen kívüli állapotban van**
  - engedje el a tengelyt reteszelő C gombot
  - távolítsa el az E peremes gyűrűt
  - nyissa ki az alsó F fűrészlappvédőt a G karral, és a kart lenyomva tartva szerelje ki a fűrészlappot úgy, hogy a fűrészlappra nyomtatott nyíl valamint a fogak iránya megegyezzen a felső fűrészlappvédő részén látható nyíl irányával
  - engedje vissza az alsó F fűrészlappvédőt
  - helyezze vissza az E peremes gyűrűt
  - ! **ügyeljen arra, hogy a peremes gyűrűknek a fűrészlappal érintkező felületei H teljesen tiszták legyenek és felhelyezésük a megfelelő irányban történjen**
  - nyomja be a tengelyt reteszelő C gombot, és tartsa benyomva, amíg a fűrészlapp szorítócsavarját kézzel megszorítja, majd azt a fűrészlappkulccsal ismételtlen meghúzza az 1/8 fordulattal (meggátolja a fűrészlapp megcsúszását, amennyiben az nagy ellenállásba ütközne, ill. csökken a motor túlterhelése és visszaütése)
  - engedje el a tengelyt reteszelő C gombot

- Vágásmélység beállítás (0-65 mm) ④
  - az optimális vágás érdekében nem célszerű, ha a körfűrészlapp több mint 3 mm-t kilóg a munkadarabból
  - engedje ki az J gombot
  - emelje/engedje a K lábzaatot amíg az L mutató eléri a kívánt vágásmélységet el nem érte
  - húzza meg az J gombot
- Vágási szög beállítás (0-45°) ⑤
  - engedje ki az M gombot
  - döntse el a gépet, ammedig az N mutató a kívánt vágási szöget el nem érte
  - húzza meg az M gombot
  - ! **ferde síkú vágás esetén a vágásmélység nem egyezik meg a vágásmélység-skálán látható értékekkel**
- 90°-os Vágási szög ellenőrzése ⑤
  - a K lábzaatot maximális vágási mélységre kell állítani és meghúzni ④
  - a vágási szöget 0°-ra kell állítani és meghúzni
  - ellenőrizze a 90°-os vágási szöget a fűrészlapp és a lábzaat alsó részénél egy szögmérővel
  - ha beállításra van szükség, engedje ki az M gombot és használja a beállítócsavart P az ábra szerint
- Állítható leolvadó Q ⑥a
  - a gép pontos használata érdekében vágjon a munkadarabon a rajzolt vonal mentén
  - egyenes 0°-os vagy 45°-os vágási szög érdekében használja a megfelelő mutatóvonalat
  - ! **a lábzaat nagyobbik része fekdődjön fel a munkadarabra**
  - kívánság szerint állítható aszerint, hogy a hulladék a fűrészlapp külső vagy belső felére essen ⑥b
  - ! **a vágási szélességet a fűrészlappfogak szélessége határozza meg és nem a fűrészlapp vastagsága**
  - ! **a tényleges vágásvonal ellenőrzése érdekében, mindig tegyen először egy próbavágást**
- Por elszívás
  - az R ⑦ adapterre a legkedvezőbb porfelvételhez
  - ! **figyeljen arra, hogy a porszívócső soha ne akadályozza az alsó fűrészlappvédő nyílást vagy a vágási munkálatokat**
  - használjunk porszákot (2610387402 SKIL tartozék)
  - ! **ne használja porszákot/porszívót fém vágása közben**
- A gép üzemeltetése ⑦
  - a dugaszoló aljzatot a konnektorba dugja be
  - mindig fogja meg az egyik kezével a S fogantyút a másikkal pedig az T fogantyút
  - a gépet helyezze a lábzaat előoldalával a munkadarabra
  - ! **ellenőrizze, hogy a fűrészlappfogak nem szorultak-e be a munkadarabra**
  - kapcsolja be a gépet úgy, hogy mindig először a V gombot (= biztonsági kapcsoló, amelyiket nem lehet rögzíteni) benyomja, és utána a W kapcsolót meghúzza
  - ! **a körfűrésznek teljes fordulatszámom kell működnie mielőtt a munkadarabra vezetjük**
  - az F fűrészlappvédő automatikusan kinyílik, amikor belevetjük a fűrészlappot a munkadarabra (a fűrészlappvédőt csak speciális vágáskorral nyissa ki kézzel; ehhez a G kart használja)

- ! **ne erőltesse a szerszámot** (alkalmazzon enyhe és folyamatos nyomást a vágópenge hegy túlhevülésének, műanyagok vágásakor pedig a munkadarab megolvadásának megelőzésére)
- ! **munka közben mindvégig tartsa gépet a szürke színű markolati terület(ek)en**
- a vágás befejezésével kapcsolja ki a gépet úgy, hogy a W kapcsolót kikapcsolja
- ! **ellenőrizze, hogy a fűrészlap teljesen leállt mielőtt a gépet a munkadarabtól eltávolítja**

## HASZNÁLAT

- Vezetősín (2610Z04064 sz. SKIL tartozék) és adapter együttes használata esetén a vágás mélysége 90°-os és 45°-os vágásnál egyaránt 14 mm-rel csökken
- Vágás közben a munkadarab használandó oldala mindig lefelé mutasson annak érdekében, hogy sérülések a munkadarab használandó oldalán minimálisak legyenek
- Mindig csak éles és az elvégzendő munkálatokhoz megfelelő típusú fűrészlapokat használjon ③
  - a vágás minősége egyaránt növekszik a fűrészfogak számával
  - keményfémlepkés fűrészlapnak 30-szor hosszabb az élettartama mint egy hagyományos
- Vezetőléc Y ⑨
  - pontos párhuzam vágásokhoz
  - kétoldalúan helyezhető be a lábazatra
 Vezetőléc beállítása
  - engedje ki az Z gombot
  - állítsa be a kívánt vágási szélességet a vezetőlécen lévő számozás alapján (a Q leolvasót a 0-referenciához használható)
  - húzza meg az Z gombot
- Vágás ⑩
  - a kívánt vágási mélységet állítsa be
  - döntse előre a gépet úgy, hogy a leolvasó Q a munkadarabon jelölt vonalra mutasson
  - nyissa ki az alsó F fűrészlapvédőt a G karral
  - mielőtt a fűrészlap beleér a munkadarabba kapcsolja be a gépet, és a körfűrészgép hátsó részét lassan nyomja lefelé úgy, hogy az előoldalon lévő lábazat széle legyen a terhelendő pont
  - a gépet lassan engedje lefelé és egyidejűleg nyomja előre
  - a G kart engedje ki, amint a fűrészlap behatol az anyagba
- ! **a gépet soha ne húzza hátrafelé**
- Nagyméretű lemezek vagy táblák vágása ⑪
  - a vágásvonal mentén támasza alá a lemezt egy munkaasztalra vagy a földön
- ! **állítsa be a vágás mélységét úgy, hogy a lemezt elvágja de vigyázzon, hogy a tartóba ne vágjon**
- amennyiben a vezetőléc nem engedi a kívánt szélesség beállítását, úgy szögeljen egy egyenes falécut a munkadarabra, amely vezetőlécéként működne a gépet használja a jobb oldali lábazattal a vezetőlécen

## KARBANTARTÁS / SZERVIZ

- A szerszám nem professzionális használatra készült
- Mindig tartsa tisztán a gépet és a vezetéket (különös tekintettel a szellőzőnyílásokra )
- ! **tisztítás előtt húzza ki a csatlakozódugót**
- Az alsó fűrészlapvédő F ③ alatti területet mindig tartsa tisztán (sűrített levegővel vagy kefével távolítsa el a port és a fagorgácsot)
- Közvetlen a használat után tisztítsa meg a körfűrészlapot (főleg a gyantától és a ragasztótól)
- Ha a gép a gondos gyártási és ellenőrzési eljárás ellenére egyszer mégis meghibásodna, akkor a javítással csak SKIL elektromos kéziszerszám-műhely ügyfélszolgálatát szabad megbízni
  - küldje az **összeszerelt** gépet a vásárlást bizonyító számlával együtt a kereskedő vagy a legközelebbi SKIL szervizállomás címére (a címlista és a gép szervizdiagramja a www.skil.com címen található)

## KÖRNYEZET

- **Az elektromos kéziszerszámokat, tartozékokat és csomagolást ne dobja a háztartási szemétkébe** (csak EU-országok számára)
  - a használt villamos és elektronikai készülékekről szóló 2012/19/EK irányelv és annak a nemzeti jogba való átültetése szerint az elhasznált elektromos kéziszerszámokat külön kell gyűjteni, és környezetbarát módon újra kell hasznosítani
  - erre emlékeztet a ⑫ jelzés, amennyiben felmerül az intézkedésre való igény

## MEGFELELŐSÉGI NYILATKOZAT CE

### Körfűrész 5665/5765

#### Műszaki adatok ①

- Egyedüli felelőséggel kijelentjük, hogy a "Műszaki adatok" alatt leírt termék megfelel a következő szabványoknak, illetve irányadó dokumentumoknak: EN 60745, EN 61000, EN 55014 a 2014/30/EU, 2006/42/EK, 2011/65/EU irányelveknek megfelelően
- **A műszaki dokumentáció a következő helyen található:** SKIL Europe BV (PT-SEU/ENG1), 4825 BD Breda, NL

Marijn van der Hoofden      Olaf Dijkgraaf  
Operations & Engineering      Approval Manager




SKIL Europe BV, 4825 BD Breda, NL

16.10.2014

## ZAJ/REZGÉS

- Az EN 60745 alapján végzett mérések szerint ezen készülék hangnyomás szintje 97 dB(A) a hangteljesítmény szintje 108 dB(A) (normál eltérés: 3 dB), a rezgésszám \* m/s<sup>2</sup> (a három irány vektorösszege; szórás K = 1,5 m/s<sup>2</sup>)
  - \* fa vágásához 2,6 m/s<sup>2</sup>
  - \* fém vágásához 2,2 m/s<sup>2</sup>

- A rezgés-kibocsátási szint mérése az EN 60745 szabványban meghatározott szabványosított teszttel összhangban történik; ez egy eszközhöz egy másik eszközzel történő összehasonlítására, illetve a rezgésnek való kitettség előzetes felmérésére használható fel az eszköznek az említett alkalmazásokra történő felhasználása során
  - az eszköznek eltérő alkalmazásokra, vagy eltérő, illetve rosszul karbantartott tartozékokkal történő felhasználása jelentősen **emelheti** a kitettség szintjét
  - az idő, amikor az eszköz ki van kapcsolva, vagy amikor ugyan működik, de ténylegesen nem végez munkát, jelentősen **csökkentheti** a kitettség szintjét
- ! az eszköz és tartozékai karbantartásával, kezének melegen tartásával, és munkavégzésének megszervezésével védje meg magát a rezgések hatásaitól

CS

Kotoučová pila

5665/5765

## ÚVOD

- Náradí je určen k provádění podélných a příčných rovných řezů a řezů áhlem zkosení do 45° ve dřevě; s příslušnými pilovými listy lze také řezat nezelezné kovy, lehké stavební materiály a umělé hmoty
- Tento nástroj není určen k profesionálnímu použití
- Tento návod s pokyny si pečlivě přečtete a uschovejte ②

## TECHNICKÁ DATA ①

## BEZPEČNOST

### VŠEOBECNÉ BEZPEČNOSTNÍ PŘEDPISY

**⚠ POZOR! Čtete všechna varovná upozornění a pokyny.** Zanedbání při dodržování varovných upozornění a pokynů mohou mít za následek úder elektrickým proudem, požár a/nebo těžká poranění. **Všechna varovná upozornění a pokyny do budoucna uschovejte.** Ve varovných upozorněních použitý pojem "elektronářadí" se vztahuje na elektronářadí provozované na el. síti (se síťovým kabelem) a na elektronářadí provozované na akumulátoru (bez síťového kabelu).

#### 1) BEZPEČNOST PRACOVNÍHO MÍSTA

- Udržujte Vaše pracovní místo čisté a uklizené.** Nepořádek nebo neosvětlené pracovní oblasti mohou vést k úrazům.
- Se strojem nepracujte v prostředích ohrožených explozí, kde se nacházejí hořlavé kapaliny, plyny nebo prach.** Elektronářadí vytváří jiskry, které mohou prach nebo páry zapálit.
- Děti a jiné osoby udržujte při použití elektronářadí daleko od Vašeho pracovního místa.** Při rozptýlení můžete ztratit kontrolu nad strojem.

#### 2) ELEKTRICKÁ BEZPEČNOST

- Připojovací zástrčka stroje musí lícovat se zásuvkou. Zástrčka nesmí být žádným způsobem upravena. Společně se stroji s ochranným**

**uzemněním nepoužívejte žádné adaptérové zástrčky.** Neupravené zástrčky a vhodné zásuvky snižují riziko elektrického úderu.

- Zabraňte kontaktu těla s uzemněnými povrchy, jako např. potrubí, topení, sporáky a chladničky.** Je-li Vaše tělo uzemněno, existuje zvýšené riziko elektrického úderu.
- Chraňte stroj před deštěm a vlhkem.** Vniknutí vody do elektrického stroje zvyšuje nebezpečí elektrického úderu.
- Dbejte na účel kabelu, nepoužívejte jej k nošení či zavěšení stroje nebo vytážením zástrčky ze zásuvky. Udržujte kabel daleko od tepla, oleje, ostrých hran nebo pohyblivých dílů stroje.** Poškozené nebo spletené kabely zvyšují riziko elektrického úderu.
- Pokud pracujete s elektronářadím venku, použijte pouze takové prodlužovací kabely, které jsou schváleny i pro venkovní použití.** Použití prodlužovacího kabelu, jež je vhodný pro použití venku, snižuje riziko elektrického úderu.

- Pokud se nelze vyhnout provozu elektronářadí ve vlhkém prostředí, použijte ochranný jistič.** Nasazení ochranného jističe snižuje riziko úderu elektrickým proudem.

#### 3) BEZPEČNOST OSOB

- Buďte pozorní, dávejte pozor na to, co děláte a přistupujte k práci s elektronářadím rozumně. Stroj nepoužívejte pokud jste unaveni nebo pod vlivem drog, alkoholu nebo léků.** Moment nepozornosti při použití elektronářadí může vést k vážným poraněním.
  - Noste osobní ochranné pomůcky a vždy ochranné brýle.** Nošení osobních ochranných pomůcek jako maska proti prachu, bezpečnostní obuv s protiskluzovou podrážkou, ochranná přilba nebo sluchátka, podle druhu nasazení elektronářadí, snižují riziko poranění.
  - Zabraňte neúmyslnému uvedení do provozu. Přesvědčte se, že je elektronářadí vypnuté dříve než jej uchopíte, poneseťe či připojíte na zdroj proudu a/ nebo akumulátor.** Máte-li při nošení elektronářadí prst na spínači nebo pokud stroj připojíte ke zdroji proudu zapnutý, pak to může vést k úrazům.
  - Než stroj zapnete, odstraňte seřizovací nástroje nebo šroubovák.** Nástroj nebo klíč, který se nachází v otáčivém dílu stroje, může vést k poranění.
  - Nepřeceňujte se. Zajistěte si bezpečný postoj a vždy udržujte rovnováhu.** Tím můžete stroj v neočekávaných situacích lépe kontrolovat.
  - Noste vhodný oděv. Nenoste žádný volný oděv nebo šperky. Vlasy, oděv a rukavice udržujte daleko od pohybujících se dílů.** Volný oděv, šperky nebo dlouhé vlasy mohou být zachyceny pohybujícími se díly.
  - Lze-li namontovat odsávací či zachycující přípravky, přesvědčte se, že jsou připojeny a správně použity.** Použití odsávání prachu může snížit ohrožení prachem.
- #### 4) SVĚDOMITÉ ZACHÁZENÍ A POUŽÍVÁNÍ ELEKTRONÁŘADÍ
- Stroj nepřetěžujte. Pro svou práci použijte k tomu určený stroj.** S vhodným elektronářadím budete pracovat v udané oblasti výkonu lépe a bezpečněji.
  - Nepoužívejte žádné elektronářadí, jehož spínač je vadný.** Elektronářadí, které nelze zapnout či vypnout je nebezpečné a musí se opravit.
  - Než provedete seřízení stroje, výměnu dílů příslušenství nebo stroj odložíte, vytáhněte zástrčku**

ze zásuvky a/nebo odstraňte akumulátor. Toto preventivní opatření zabrání neúmyslnému zapnutí stroje.

- d) **Uchovávejte nepoužívané elektronářadí mimo dosah dětí. Nechte stroj používat osobám, které se strojem nejsou seznámeny nebo nečetly tyto pokyny.** Elektronářadí je nebezpečné, je-li používáno nezkušenými osobami.
- e) **Pečujte o stroj svědomitě. Zkontrolujte, zda pohyblivé díly stroje bezvadně fungují a nevzpíchnují se, zda díly nejsou zlomené nebo poškozené tak, že je omezena funkce stroje. Poškozené díly nechte před nasazením stroje opravit.** Mnoho úrazů má příčinu ve špatně udržovaném elektronářadí.
- f) **Řezné nástroje udržujte ostré a čisté.** Pečlivě ošetrované řezné nástroje s ostrými řeznými hranami se méně vzpíchnou a dají se lehčeji vést.
- g) **Používejte elektronářadí, příslušenství, nasazovací nástroje apod. podle těchto pokynů. Respektujte přitom pracovní podmínky a prováděnou činnost.** Použití elektronářadí pro jiné než určující použití může vést k nebezpečným situacím.

## 5) SERVIS

- a) **Nechte Váš stroj opravit pouze kvalifikovaným odborným personálem a pouze s originálními náhradními díly.** Tím bude zajištěno, že bezpečnost stroje zůstane zachována.

## BEZPEČNOSTNÍ UPOZORNĚNÍ PRO OKRUŽNÍ PÍLU

### 1) ZACHÁZENÍ S PILOU

- a) **NEBEZPEČÍ :** Mějte své ruce mimo oblast řezání a mimo pilový kotouč. Svou druhou rukou držte přídavnou rukojeť nebo motorovou skříň. Pokud obě ruce drží pilu, nemůže je pilový kotouč poranit.
- b) **Nesahejte pod řezaný předmět.** Ochranný kryt vás pod řezaným předmětem před pilou nechrání.
- c) **Hloubku řezu přizpůsobte tloušťce obrobku.** Pod obrobkem by měl být viditelný téměř celý zub pilového listu.
- d) **Nikdy nedržte řezaný obrobek v ruce nebo přes nohu. Obrobek zajistěte stabilním upnutím.** Je důležité obrobek dobře upevnit, aby se minimalizovalo nebezpečí kontaktu s tělem, sevření pilového kotouče nebo ztráta kontroly.
- e) **Pokud provádíte práce, při kterých může nasazovací nástroj zasáhnout skrytá elektrická vedení nebo vlastní síťový kabel, pak uchopte elektronářadí pouze na izolovaných plochách drzádlá.** Kontakt s vedením pod napětím přivádí napětí i na kovové díly elektronářadí a vede k úderu elektrickým proudem.
- f) **Používáte-li rozmitací pilu, použijte vždy příslušný ochranný kryt nebo průměrné pravítko.** Zvýší se tím přesnost řezu a sníží se nebezpečí zaseknutí pily.
- g) **Používejte vždy pilové kotouče ve správné velikosti a s lícujícím upínacím otvorem (např. v hvězdicovém tvaru nebo kruhový).** Pilové kotouče, jež nelicují k montážním dílům pily, běží nekruhově a vedou ke ztrátě kontroly.
- h) **Na nástroji se nesmějí používat poškozené a nesprávné podložky a šrouby.** Podložky a šrouby jsou určeny speciálně pro tuto pilu, jinak nebude nástroj správně a bezpečně fungovat.

### 2) ZPĚTNÝ VRH - PŘÍČINY A PŘÍSLUŠNÁ UPOZORNĚNÍ

- Ke zpětnému vrhu dojde následkem přiskřípnutí nebo zablokování listu pily nebo při výstředném pohybu listu; pila se přitom nezávládnutě zdvihne a vyjede z řezaného předmětu směrem k pracovníkovi
  - Jestliže se pila v řezaném materiálu přiskřípne nebo pevně zablokuje, list pily se zastaví a motor zareaguje tím, že vyhodí nástroj prudce zpět směrem k pracovníkovi
  - Jestliže se list pily v řezu zkroutí nebo vystředuje, mohou se zuby na zadním ostří listu zarýt do horního povrchu dřeva, přičemž list vyskočí ze zářezu a nástroj skočí zpět směrem k pracovníkovi
  - Ke zpětnému vrhu dojde při zneužití či nesprávném použití nástroje nebo za jiných okolností, jimž může pracovník podle opatření uvedených níže předejít
- a) **Držte nástroj pevně oběma rukama a postavte se tak, abyste svým tělem i pažemi mohli případnému zpětnému vrhu odolat. Postavte se k pile z jedné nebo druhé strany, nestůjte přímo za ní.** Pila může při zpětném rázu odskočit dozadu, avšak sílu způsobenou zpětným rázem lze zvládnout, podniknete-li náležité ochranné kroky.
- b) **Začně-li pila zadržávat nebo z nějakého důvodu řezání přerušujete, uvolněte spínač a podržte pilu pevně v řezu až do jejího úplného zastavení. Nikdy se nesazte běžící pilu vytáhnout z materiálu nebo ji pohnout dozadu, neboť přitom dojde ke zpětnému vrhu.** Při zadržávání pily zjistíte důvody a odstraňte je. Dejte pozor, aby pila nenarazila na hřebíky či šrouby.
- c) **Jestliže pilu v řezu opět spouštíte, řádně ji v něm vystředujte a zkontrolujte, zda se zuby listu nedotýkají řezaného materiálu.** Jsou-li zuby listu "zakousnuté" do materiálu, může nástroj při spuštění z materiálu vyjet nebo vyskočit zpět.
- d) **Při řezání velkých desek podepřete obě strany, aby list při řezání nesklápal a nedošlo ke zpětnému vrhu.** Velké desky se vlastní vahou prohnu. Musíte je podepřít na obou stranách, a to poblíž řezu i na obou koncích.
- e) **Nepoužívejte tupé ani poškozené listy.** Při tupém či nesprávně nastaveném ostří bude řez příliš úzký, takže dojde k přílišnému tření, pila se bude zasekávat a způsobí zpětný vrh.
- f) **Před řezáním nastavte správnou hloubku a skosení řezu a pevně je zajistěte pojistnými páčkami.** Jestliže se list při řezání vyhne, může to způsobit zaseknutí a zpětný vrh.
- g) **buďte obzvlášť opatrní při řezání do stávajících stěn nebo míst, kam není vidět.** Zanořující se pilový kotouč se může při řezání ve skrytých objektech zablokovat a způsobit zpětný vrh.

### 3) FUNKCE SPODNÍHO OCHRANNÉHO KRYTU

- a) **Před každým použitím vždy zkontrolujte, zda se spodní ochranný kryt řádně zavírá. Jestliže se spodní ochranný kryt volně nepohybuje a okamžitě se nezavírá, nesmí se nástroj používat. Spodní ochranný kryt se nesmí zajišťovat v otevřené poloze.** Jestliže pilu náhodou upustíte, může se spodní ochranný kryt ohnout. Rozpojte přívodní šňůru, spodní ochranný kryt zasouvací rukojeť zdvihnete a zkontrolujete, zda se volně pohybuje a při libovolném úhlu a hloubce řezání se nedotýká ani listu, ani žádné jiné části nástroje.

- b) Zkontrolujte, zda pero spodního ochranného krytu správně funguje. Jestliže ochranný kryt nebo pero správně nefunguje, musí se nástroj před použitím opravit. Poškozené součástky, lepkavost a usazené nečistoty způsobí pomalou reakci spodního ochranného krytu.
- c) Spodní ochranný kryt se smí zdvihnout ručně pouze při provádění speciálních úkonů, jako jsou zapichovací a složené řezy. V tomto případě ochranný kryt zasouvací rukojeť zdvihněte a jakmile list pily materiál nařízne, musíte kryt spustit. U všech ostatních způsobů řezání by měl kryt fungovat automaticky.
- d) Než nástroj odložíte na stůl nebo na podlahu, vždy zkontrolujte, zda je list pily zakrytý spodním ochranným krytem. Jestliže pila pomalu dobíhá a není chráněná, bude "kráčet" dozadu a řezat vše, s čím přijde do styku. Nezapomeňte, že po uvolnění spínacího tlačítka pila chvíli dobíhá.

## DOPLŇKOVÁ BEZPEČNOSTNÍ UPOZORNĚNÍ

### OBECNĚ

- Tento nástroj nesmí používat osoby mladší 16 let
- Nářadí není vhodné k řezání za vlhka
- Před seřizováním, měněním pilových listů a příslušenství, vždy vytáhněte zástrčku nářadí z el. sítě
- Pila se nesmí používat, je-li její přívodní šňůra poškozená; nechte si je kvalifikovaným pracovníkem vyměnit
- Nepracovávajte žádný materiál obsahující azbest (azbest je karcinogenní)
- Prach z látek, jako jsou barvy obsahující olovo, některé druhy dřeva, minerály a kovy, může být škodlivý (kontakt s prachem nebo jeho vdechnutí může způsobit alergickou reakci a/nebo vyvolat respirační choroby u obsluhy nebo přihlížejících); **noste protiprachovou masku a pracujte se zařízením na odsávání prachu, pokud je možné jej připojit**
- Některé druhy prachu jsou klasifikovány jako karcinogenní (například dubový a bukový prach) zejména ve spojení s přísadami pro úpravu dřeva; **noste protiprachovou masku a pracujte se zařízením na odsávání prachu, pokud je možné jej připojit**
- Dodržujte stanovená nařízení pro práci v prašném prostředí
- Používejte pouze pilový stůl obsahující bezpečnostní spínač zabráňující neúmyslnému spuštění po přerušení napětí
- Používejte pouze pilový stůl obsahující rozvěrný klín

### PŘÍSLUŠENSTVÍ

- SKIL zajistí bezvadnou funkci nářadí pouze tehdy, používáte-li původní značkové
- Používejte pouze příslušenství, jejichž dovolené otáčky jsou alespoň tak vysoké jako nejvyšší otáčky stroje naprázdno
- Používejte pouze listy pily s minimálním průměrem 170 mm, maximálním průměrem 184 mm a otvorem pro vřeteno 16 mm
- Není přípustné používání listů z vysoce legovaných, rychle pracujících ocelí (HSS)
- Nikdy nepoužívejte brusné/řezné kotouče s tímto nářadím

## PŘED POUŽITÍM

- Vždy zkontrolujte, zda je napájecí napětí stejné jako napětí uvedené na typovém štítku nástroje (nářadí určené k napájení 230V nebo 240V lze použít též v síti 220V)
- Vřtačku nepoužívejte je-li navlhla a nepracuje v blízkosti snadno zápalných nebo výbušných materiálů; před zahájením práce je odstraňte
- Před začátkem řezání odstraňte z řezané dráhy všechny překážky jak nahoře tak vespod obrobku
- Zajistěte obráběný díl** (obráběný díl uchycený pomocí upínacích zařízení nebo ve svěráku je mnohem bezpečnější než v ruce)
- Použijte vhodné hledací přístroje k vyhledání skrytých přívodních vedení nebo přívzvěte místní dodavatelskou společnost** (kontakt s el. vedením může vést k požáru a elektrickému úderu; poškození plynového vedení může vést k explozi; proniknutí do vodovodního potrubí může způsobit věcné škody nebo elektrický úder)
- Používejte zcela rozvinutá a bezpečně prodlužovací šňůry o kapacitě 16 ampér

## BĚHEM POUŽITÍ

- Hladina hluku může při práci přesáhnout 85 dB(A); vhodným prostředkem si chraňte udi
- Nikdy nepoužívejte nářadí bez originálního chrániče
- Nezkoušejte řezat extrémně malé výrobky
- S nářadím nepracujte nad hlavou
- V případě zaseknutí nářadí či jiné závady okamžitě nářadí vypněte a vytáhněte zástrčku z el. sítě
- Jestliže přívodní šňůru při práci podkočíte nebo proříznete, nedotýkejte se jí a okamžitě ji vytáhněte ze síťové zásuvky

## PO POUŽITÍ

- Jakmile se hodláte vzdálit od nářadí, měl byste ho vypnout a vyčkat, dokud se pohybující části nezastaví
- Po vypnutí nářadí nikdy nepřibrzdujte pilové listy tlakem ze strany

## OBSLUHA

- Montáž listu pily ③
  - ! rozpojte přívodní šňůru**
  - vyjměte klíče šestihřanný A z držáku B
  - stlačte blokovací tlačítko vřetene C a podržte stlačené, zatímco vyšroubujete šroub upevnění listu pily D imbusovými šestihrannými klíčem, kterým otáčíte ve
  - ! blokovací tlačítko vřetene C stlačte pouze tehdy, když je nářadí v klidu**
  - uvolněte blokovací tlačítko vřetene C
  - odstraňte upevňovací podložku E
  - otevřete spodní ochranný kryt pily F stlačením páky G a držte ji, zatímco namontujete list pily tak, že zuby pily a šípka natištěná na listu pily směřují stejným směrem jako šípka na horním ochranném krytu
  - uvolněte spodní ochranný kryt F
  - nasadte podložku E
  - ! zajistěte, že povrchy přírub H jsou naprosto čisté a že přiléhají na list pily**
  - zatlačte blokovací tlačítko vřetene C a držte, zatímco utáhnete šroub upevnění listu pily šestihřanným klíčem o 1/8 otáčky a to velmi mírně (je zajištěno prokluzování pilového listu, při setkání s nadměrným odporem a tak snížení přetížení motoru a zpětného rázu)
  - uvolněte blokovací tlačítko vřetene C



- Nastavení hloubky řezu (0-65 mm) ④
  - pro optimální kvalitu řezu by pilový list neměl zasahovat více než 3 mm pod obrobek
  - uvolněte knoflíku J
  - vytáhněte/snížte patu K až do požadované hloubky řezu vyznačeného na stupnici pomocí indikátoru L
  - utáhněte knoflíku J
- Nastavení úhlu řezu (0-45°) ⑤
  - uvolněte knoflíku M
  - nakloňte nářadí až do požadovaného úhlu řezu vyznačeného na stupnici pomocí indikátoru N
  - utáhněte knoflíku M

**! v případě úhlového řezání nesouhlasí skutečná hloubka řezu s hloubkou řezu uvedenou na stupnici**
- Kontrola řezacího úhlu 90° ⑥
  - nastavte a utáhněte patu K na max. hloubku řezu ④
  - nastavte a utáhněte řezací úhel na 0°
  - pomocí úhelníku zkontrolujte 90° úhel mezi pil. listem a spodní částí paty
  - jestliže nastavení neodpovídá, uvolněte knoflíku M a použijte seřizovací šroub P dle obrázku
- Nastavitelný indikátor linie řezu Q ⑥a
  - pro přesné vedení nářadí po obrobku v požadovaném směru
  - při přímém řezání v rozsahu úhlů 0°-45° indikátor kopíruje obrobek

**! pata by měla být plně přitlačena k obrobku**

  - dá se nastavit tak, aby vám to umožnilo zvolit, zda odpadávající materiál je na vnitřní nebo vnější straně listu ⑥b

**! šířka řezu je dána šířkou rozvedení zubů listu, nikoliv tloušťkou listu**

**! vždy provedte nejdříve zkušební řez pro ověření skutečné linie řezu**
- Odsávání prachu
  - odsávací hadice nasazená na adaptér R ⑦

**! dbějte, aby hadice odsávající při řezání nepřekážela spodnímu chrániči a obsluze nářadí**

  - můžete použít lapač prachu (SKIL příslušenství 2610387402)

**! nepoužívejte prachový sáček/vysavač při řezání kovu**
- Použití nástroje ⑦
  - zapněte zástrčku do sítě el. energie
  - neustále pevně držte jednou rukou rukojeť S a druhou rukou rukojeť T
  - umístěte nářadí přední hranou paty na obrobek

**! ujistěte se, že zuby pilového listu nejsou zaseknuty do obrobku**

  - spusťte nářadí nejdříve stisknutím tlačítka V (= bezpečnostní spínač, který nemůže být zaaretován) a poté stisknutím spouště W

**! nářadí by neměl běžet na plný výkon před vniknutím do obrobku**

  - pronikáním pilového listu do obrobku se automaticky otevírá spodní chránič F (použitím páky G můžete otevřít spodní chránič ručně - pouze pro speciální řezání, např. ponorné řezání)

**! na nástroj netlačte příliš** (tlačte na něj zlehka a plynule, abyste zamezili přehřívání hrotů čepele, a pokud řezáte plast, také tavení plastu)

- ! při práci vždy držte nástroj v šedě zbarvené oblasti rukojeti**
- tlak po ukončení řezání vypněte nářadí uvolňováním spouště W
- ! před vyjmutím nářadí z obrobku nejdříve sečkejte do úplného zastavení pilového listu**

## NÁVOD K POUŽITÍ

- Při použití vodící kolejnice (příslušenství SKIL 2610Z04064) v kombinaci s adaptérem bude hloubka řezu snížena o 14 mm u řezů pod úhlem 90° i 45°
- Při řezání položte obrobek tak, aby strana s lepší povrchem byla vespod k zajištění min. štěpení
- Používejte pouze ostré pilového listy správného typu ⑧
  - kvalita řezu se zvýší počtem ozubení na pilového listu
  - pilového listy z tvrdých kovů mají až 30 krát delší životnost než běžné pilového listy
- Paralelní doraz Y ⑨
  - k provádění přesných řezů podél hrany obrobku
  - může být připevněn ke kterékoliv straně paty

Nastavení paralelního dorazu

  - uvolněte kliku Z
  - nastavte na požadovanou šířku řezání použitím stupnice paralelního dorazu (použijte indikátor linie řezu Q jako 0-vodítko)
  - utáhněte kliku Z
- Ponorné řezání ⑩
  - nastavte požadovanou hloubku řezu
  - naklánejte nástroj dopředu tak, aby indikátor linie řezu Q byly zarovnané s požadovanou linií řezu vyznačenou na řezaném předmětu
  - otevřete spodní ochranný kryt pily F stlačením páky G
  - těsně před vniknutím listu do obrobku spusťte nářadí a pozvolně snižujte zadní část paty použitím přední hrany paty jako pantu
  - neustále pohybujte nářadím směrem dolů a vpřed
  - jakmile list pily materiál nařízne, můžete uvolnit páku G

**! nikdy nevedte nářadí ve zpátečním směru**
- Řezání velkých panelů ⑪
  - přiložte panel přílehavě k řezací podlaze, stolu nebo lavici

**! nastavte hloubku řezu tak, aby umožňovala prořezání pouze panelu, nikoliv podložky**

  - v případě, že paralelní doraz nebude svým rozsahem postačovat požadované šířce řezu, přitiskněte k panelu přímou dřevěnou lištu jako vodítka vedle pravou stranu paty podél této lišty

## ÚDRŽBA / SERVIS

- Tento nástroj není určen k profesionálnímu použití
- Nástroj a přírodní šňůru udržujte čisté (zejména větrací šterbiny)
- ! před čištěním odpojte zástrčku**
- Prostor kolem spodního ochranného krytu F ③ vždy udržujte v čistotě (odstraňte prach a trisky vyfoukáním stlačeným vzduchem nebo kartáčem)
- Pilové listy čistěte okamžitě po jejich použití (především od pryskyřice a lepidla)

- Pokud dojde i přes pečlivou výrobu a náročné kontroly k poruše nástroje, světe provedení opravy autorizovanému servisnímu středisku pro elektronářadí firmy SKIL
- zašlete nástroj **nerozebraný** spolu s potvrzením o nákupu své prodejné nebo nejbližšímu servisu značky SKIL (adresy a servisní schéma nástroje najdete na [www.skil.com](http://www.skil.com))

## ŽIVOTNÍ PROSTŘEDÍ

- **Elektrické nářadí, doplňky a balení nevyhazujte do komunálního odpadu** (jen pro státy EU)
  - podle evropské směrnice 2012/19/EG o nakládání s použitými elektrickými a elektronickými zařízeními a odpovídajících ustanovení právních předpisů jednotlivých zemí se použitá elektrická nářadí, musí sbírat odděleně od ostatního odpadu a podrobit ekologicky šetrnému recyklování
  - symbol ⑫ na to upozorňuje

## PROHLÁŠENÍ O SHODĚ CE

**Kotoučová pila 5665/5765**

**Technická data** ①

- Prohlašujeme v plné naší zodpovědnosti, že v odstavci "Technická data" popsáný výrobek je v souladu s následujícími normami nebo normativními dokumenty: EN 60745, EN 61000, EN 55014, podle ustanovení směrnic 2014/30/EU, 2006/42/ES, 2011/65/EU
- **Technická dokumentace** u: SKIL Europe BV (PT-SEU/ENG1), 4825 BD Breda, NL

Marijn van der Hoofden  
Operations & Engineering

Olaf Dijkgraaf  
Approval Manager

SKIL Europe BV, 4825 BD Breda, NL

16.10.2014

## HLUČNOSTI/VIBRACÍ

- Měřeno podle EN 60745 číni tlak hlukové vlny tohoto přístroje 97 dB(A) a dávka hlučnosti 108 dB(A) (standardní odchylnka: 3 dB), a vibrací \* m/s<sup>2</sup> (vektorový součet tří os; nepřesnost K = 1,5 m/s<sup>2</sup>)
  - \* při řezání dřeva 2,6 m/s<sup>2</sup>
  - \* při řezání kovů 2,2 m/s<sup>2</sup>
- Úroveň vibrací byla měřena v souladu se standardizovaným testem podle EN 60745; je možné ji použít ke srovnání jednoho přístroje s druhým a jako předběžné posouzení vystavování se vibracím při používání přístroje k uvedeným aplikacím
  - používání přístroje k jiným aplikacím nebo s jiným či špatně udržovaným příslušenstvím může zásadně **zvýšit** úroveň vystavení se vibracím
  - doba, kdy je přístroj vypnutý nebo kdy běží, ale ve skutečnosti není využíván, může zásadně **snižit** úroveň vystavení se vibracím
- ! **chráňte se před následky vibrací tak, že budete dbát na udržbu přístroje a příslušenství, budete si udržovat teplé ruce a uspořádáte si své pracovní postupy**

## Daire testere

5665/5765

## GİRİS

- Bu alet, sabit dayama suretiyle tahda düz ve 45°'ye kadar açılı kesme işleri için geliştirilmiştir; uygun testere bıçaklarıyla demir dişli metallar, hafif yapı malzemeleri ve plastikler de kesilebilir
- Bu alet profesyonel kullanıma yönelik değildir
- Bu kullanma kılavuzunu okuyun ve saklayın ②

## TEKNİK VERİLER ①

## GÜVENLİK

### GENEL GÜVENLİK TALİMATI

**⚠ DİKKAT!** Bütün uyarıları ve talimat hükümlerini okuyun. Açıklanan uyarılara ve talimat hükümlerine uyulmadığı takdirde elektrik çarpmalarına, yangınlara ve/veya ağır yaralanmalara neden olunabilir. **Bütün uyarıları ve talimat hükümlerini ileride kullanmak üzere saklayın.** Uyarı ve talimat hükümlerinde kullanılan "elektrikli el aleti" kavramı, akım şebekesine bağlı (şebeke bağlantı kablosu ile) aletlerle akü ile çalışan aletleri (akım şebekesine bağlantısı olmayan aletler) kapsamaktadır.

### 1) ÇALIŞMA YERİ GÜVENLİĞİ

- a) **Çalıştığınız yeri temiz ve düzenli tutun.** İşyerindeki düzensizlik veya yetersiz aydınlatma kazalara neden olabilir.
- b) **Yanıcı sıvıların, gazların veya tozların bulunduğu patlama tehlikesi olan yer ve mekânlarda aletinize çalışmayın.** Elektrikli el aletleri, toz veya buharların tutuşmasına veya yanmasına neden olan kıvılcımlar çıkarırlar.
- c) **Elektrikli el aletinize çalışırken çocukları ve başkalarını çalışma alanınızın uzağında tutun.** Yakınızda bulunan kişiler dikkatinizi dağıtabilir ve bu da alet üzerindeki kontrolünüzü kaybetmenize neden olabilir.

### 2) ELEKTRİKSEL GÜVENLİK

- a) **Aletinizin bağlantı fişi prize uymalıdır. Fişi hiçbir şekilde değiştirmeyin. Koruyucu topraklamalı aletlerle adaptörlü fiş kullanmayın.** Değiştirilmemiş, orijinal fiş ve uygun prizler elektrik çarpmaya tehlikesini azaltır.
- b) **Borular, kalorifer tesisatı, ısıtıcılar ve buzdolapları gibi topraklanmış yüzeylerle bensele temasa gelmekten kaçının.** Eğer bedeniniz topraklanacak olursa yüksek bir elektrik çarpmaya tehlikesi ortaya çıkar.
- c) **Aletinize yağmur ve nemden koruyun.** Elektrikli el aletinizi içine suyun sızması elektrik çarpmaya tehlikesini yükseltir.
- d) **Kabloyu kendi amacı dışında kullanmayın; örneğin aleti kablodan tutarak taşımayın, aleti kablo ile asmayın veya kablodan çekerek fişi prizden çıkarmayın. Kabloyu aşırı sıcaktan, yağlardan, keskin kenarlı cisimlerden veya aletin hareketli parçalarından uzak tutun.** Hasarlı veya dolanmış kablo elektrik çarpmaya tehlikesini yükseltir.

- e) **Elektrikli el aletinizle açık havada çalışırken mutlaka açık havada kullanılmaya müsadeleli uzatma kablosu kullanın.** Açık havada kullanılmaya uygun ve müsadeleli uzatma kablosunun kullanılması elektrik çarpması tehlikesini azaltır.
- f) **Elektrikli el aletinin nemli ortamlarda çalıştırılması şartsa, mutlaka toprak kaçağı devre kesicisi kullanın.** Toprak kaçağı devre kesicisi kullanımı elektrik çarpması tehlikesini azaltır.
- 3) KİŞİLERİN GÜVENLİĞİ**
- a) **Dikkatli olun, ne yaptığınıza dikkat edin ve elektrikli el aletinizle çalışırken makul hareket edin.** Yorgunsanız, hap, ilaç veya alkol almışsanız aletinizi kullanmayın. Aletinizi kullanırken bir anlık dikkatsizliğiniz ciddi yaralanmalara yol açabilir.
- b) **Daima kişisel korunma donanımları ve bir koruyucu gözlük kullanın.** Elektrikli el aletinin türü ve kullanımına uygun olarak kullanacağınız toz maskesi, kaymayan sağlam iş ayakkabıları, koruyucu kask veya koruyucu kulaklık gibi kişisel korunma donanımlarını kullanmanız yaralanma tehlikesini büyük ölçüde azaltır.
- c) **Aleti yanlışlıkla çalıştırmaktan kaçının.** Akım ikmal şebekesine ve/veya aküye bağlamadan, elinize alıp taşımadan önce elektrikli el aletinin kapalı durumda olduğundan emin olun. Elektrikli el aletini parmağınız şalter üzerinde dururken taşırsanız ve alet açıkken fişi prize sokarsanız kazalara neden olabilirsiniz.
- d) **Aleti çalıştırmadan önce ayar aletlerini veya tornavidaları aletten uzaklaştırın.** Dönen alet parçasına temas halinde bulunan bir uç veya anahtar yaralanmalara neden olabilir.
- e) **Kendinize çok fazla güvenmeyin.** Duruşunuzun güvenli olmasına dikkat edin ve daima dengeyi koruyun. Bu sayede aletinizi beklenmedik durumlarda daha iyi kontrol edersiniz.
- f) **Uygun iş giysileri giyin.** Çalışırken çok bol giysiler giymeyin ve takı takmayın. Saçlarınızı, giysilerinizi ve eldivenlerinizi aletin hareketli parçalarından uzak tutun. Bol giysiler, takılar veya uzun saçlar aletin hareketli parçaları tarafından tutulabilir.
- g) **Aletinize toz emme donanımı ve toz tutma donanımı takılabiliyorsa, bunların bağlı olup olmadığını ve doğru işlev görüp görmediklerini kontrol edin.** Toz emme donanımının kullanımı tozdan kaynaklanabilecek tehlikeleri azaltır.
- 4) ELEKTRİKLİ EL ALETLERİYLE DİKKATLİ ÇALIŞMAK VE ALETİ DOĞRU KULLANMAK**
- a) **Aletinizi aşırı ölçüde zorlamayın.** İşinize uygun elektrikli el aletini kullanın. Uygun elektrikli el aleti ile belirlenen performans alanında daha iyi ve daha güvenli çalışırsınız.
- b) **Açma/kapama şalteri arızalı olan elektrikli el aletini kullanmayın.** Açılıp kapanamayan bir elektrikli el aleti tehlikelidir ve onarılması gerekir.
- c) **Alette bir ayarlama işlemine başlamadan ve/veya aküyü çıkarmadan önce, herhangi bir aksesuarı değiştirirken veya aleti elinizden bırakırken fişi prizden çekin.** Bu önlem, aletin kontrolünüz dışında ve istenmeden çalışmasını önler.
- d) **Kullanım dışında iken elektrikli el aletinizi çocukların ulaşamayacağı bir yerde saklayın.** Aleti kullanmayı bilmeyen veya bu güvenlik talimatını okumayan

kişilerin aleti kullanmasına izin vermeyin. Deneyimsiz kişiler tarafından kullanıldıkları takdirde elektrikli el aletleri tehlikeli olabilirler.

- e) **Aletin bakımını özenle yapın.** Aletin hareketli parçalarının kusursuz işlev görüp görmediklerini ve sıkışmadıklarını, parçaların kırık veya hasarlı olup olmadıklarını kontrol edin, aksi takdirde alet işlevini tam olarak yerine getiremez. Aletinizi kullanmadan önce hasarlı parçaları onartın. Birçok iş kazası aletlerin kötü ve yetersiz bakımından kaynaklanır.
- f) **Kesici uçları keskin ve temiz tutun.** İyi bakım görmüş kesici uçlar daha ender sıkışır ve daha iyi yönlendirilirler.
- g) **Elektrikli el aletlerini, aksesuarı, uçları ve benzerlerini bu güvenlik talimatına uygun olarak kullanın.** Aletinizi kullanırken çalışma koşullarını ve yaptığınızı işi daima dikkate alın. Elektrikli el aletlerini kendileri için öngörülen işlerin dışında kullanmak tehlikeli durumların ortaya çıkmasına neden olabilir.

## 5) SERVİS

- a) **Aletinizi sadece uzman bir elemana ve orijinal yedek parçaları kullanılarak onartın.** Böylelikle aletin güvenliğini korumuş olursunuz.

## DAİRE TESTERELER İÇİN GÜVENLİK TALİMATI

### 1) KESME YÖNTEMİ

- a) **TEHLİKE :** Ellerinizi kesme yapılan yere ve testere bıçağına yaklaştırmayın. İkinci elinizle ek tutamağı veya motor gövdesini tutun. İki elinizle testereyi tuttuğunuzda ellerinizin testere bıçağı tarafından yaralanma tehlikesini önlersiniz.
- b) **Kestğiniz cismin alt kısmından ellerinizi uzak tutun.** Koruma ünitesi sizi cismin altındaki testere bıçağından koruyamaz.
- c) **Testerenin kesme derinliğini iş parçasına göre ayarlayınız.** İş parçasının altından sadece testere bıçağının dişleri görünecek şekilde ayarlayınız.
- d) **Kesilecek iş parçasını hiçbir zaman elinizde veya bacağınız üzerinde tutmayın.** İş parçasını sağlam bir tertibatla emniyete alın. Testerenin bedeninizle temasa gelmesinin, testere bıçağının sıkışmasının veya aletin kontrolünün kaybedilmesinin önüne geçmek için iş parçasının iyi bir biçimde tespit edilmesi önemlidir.
- e) **Çalışırken alet ucunun görünmesi elektrik akımı ileten kablolarla veya aletin kendi şebeke kablosuna temas etme olasılığı varsa aletinizi el aletini sadece izolasyonlu tutamağınızdan tutun.** Elektrik gerilimi ileten kablolarla temasa gelince elektrikli el aletinin metal parçaları da elektrik gerilimine maruz kalır ve elektrik çarpmasına neden olur.
- f) **Yan kesim yaparken her zaman yan dayamak veya düz kenar arayı kullanın.** Böylece daha mükemmel kesim sonucu elde eder, testere bıçağının kayma olasılığını azaltmış olursunuz.
- g) **Daima uygun giriş delikli doğru büyüklükte testere bıçakları kullanın (öreğin yıldız biçimli veya yuvarlak).** Testerenin montaj parçalarına uygun olmayan testere bıçakları balanssız dönerler ve aletin kontrolünün kaybına neden olurlar.
- h) **Kesinlikle zarar görmüş veya uygunsuz bıçak yıkayıcıları ya da civatalar kullanmayın.** Bıçak yıkayıcısı ile civata testeremiz için özel olarak

tasarlanmıştır ve maksimum performans ile kullanım emniyeti sağlar.

## 2) GERİ TEPME - NEDENLERİ VE BUNA İLİŞKİN UYARILAR

- Geriye tepme olarak tabir edilen durum, sıkışan, seken veya hizadan çıkan bir testere bıçağının yaptığı ani harekettir; bu ani hareket, kontrol dışına çıkan testerenin kesilmekte olan parçadan çıkarak testere kullanıcısının üzerine doğru yönelmesine neden olur
  - Testere bıçağının kesim hattının daralması veya kapanması sonucu sıkışması ya da takılması, testerenin dönmemesi engeller ve motorun tepkimesi sonucu kesim birimi aniden ve süratle testere kullanıcıasına doğru geri tepebilir
  - Testere bıçağı kesim esnasında ters dönerse ya da hizadan çıkarsa, bıçağın arka kenarındaki dişler kesilen cismin üst tabakasının içine kazılarak bıçağın kesim hattından çıkıp kullanıcının üzerine doğru tepmesine neden olabilir
  - Geri tepme, hatalı alet kullanımı ve/veya yanlış kullanım işlemleri veya koşulları sonucu meydana gelir ve aşağıdaki tedbirlerle uyulması halinde önlenebilecek bir tehlikedir
- a) **Testere tutacaklarını iki elle sıkıca tutun ve kolunuzun olası bir geri tepmeyi karşılayabilecek şekilde pozisyonlandırın. Testere bıçağının yan taraflarından birinde durmaya özen gösterin, kesinlikle testere bıçağının kesim hattı üzerinde durmayın.** Geri tepme yüzünden testere aniden geriye hareket edebilir, kullanıcının doğru tedbirleri alması halinde geri tepme gücü kontrol edilebilir hale gelir.
- b) **Testere bıçağı takılırsa, ya da kesme işlemine hangi nedenle olursa olsun ara vermek istediğinizde, çalıştırma düğmesini bırakın ve testereyi bıçak tamamen hareketsiz hale gelene kadar sabit tutun. Testereyi, bıçak henüz çalışır haldeyken kesinlikle cisimden çıkarmayın ya da geriye doğru çekmeyin. Aksi takdirde geri tepme meydana gelebilir.** Kesme çalışmalarına başlamadan önce, testerenin takılmasına neden olabilecek engelleri kaldırın, gerekli tedbirleri alın ve çivi veya vida gibi cisimleri kesmemeye özen gösterin.
- c) **Testereyi, kesme işlemine devam etmek için tekrar cisimdeki kesim hattına soktuğunuzda, testere bıçağını kesimin ortasına yerleştirin ve testere dişlerinin cisim ile temas etmemesine özen gösterin.** Aksi takdirde, testerenin tekrar çalıştırılması halinde bıçak dişleri geri tepmeye neden olabilir.
- d) **Testere bıçağının sıkışmasını ve geri tepmeyi önlemek için keseceğiniz geniş panellerde destek kullanın.** Geniş paneller kesilirken kendi ağırlığı altında sarkma belirtisi gösterir. Bu nedenle kesilen panelin alttan her iki taraftan, hem kesim hattına yakın bir yerden hem kenarlardan desteklenmesi gerekir.
- e) **Körelmiş veya hasarlı bir bıçak kullanmayın.** Bilinmemiş veya uygun takılmamış bıçaklar dar bir kesime yol açarak aşırı sürtünmeye, kesim aletinin takılmasına ve geri tepmeye neden olur.
- f) **Bıçağın kesim derinliğini ve açısını ayarlayan düzenleyen mekanizaların kesme işlemine başlamadan önce sıkıca ve emniyetli bir biçimde kurulmuş olmasına özen gösterin.** Eğer testere bıçağının açısını ve derinliğini ayarlayan parçalar kesim esnasında yerinden

- oyunsa, bu bıçağın takılmasına ve geri tepmeye neden olabilir.
- g) **Özellikle mevcut duvarlarda ve diğer görünmeyen yerlerde kesme yaparken dikkatli olun.** Malzeme içine giren testere bıçağı görünmeyen nesnelere içinde bloke olabilir ve geri tepme kuvvetlerinin ortaya çıkmasına neden olabilir.
- ### 3) ALT KORUYUCU KAPAĞIN FONKSİYONU
- a) **Her kullanımdan önce testerenin alt koruyucusunun düzgün biçimde kapanıp kapanmadığını kontrol edin. Alt koruyucunun serbestçe hareket etmemesi ve anında kapanmaması halinde testereyi çalıştırmayın. Alt koruyucuyu hiçbir zaman açık pozisyona gelecek biçimde sıkıştırmayın veya bağlamayın.** Testerenin yanlışlıkla düşmesi halinde meydana gelen darbe sonucu alt koruyucu eğilmiş olabilir. Şebeke fişini çekin, alt koruyucuyu geriye çekilebilen tutacak ile kaldırarak serbestçe hareket edebilmesini sağlayın. Ayrıca alt koruyucunun hiçbir kesim açısı ve derinliğinde testere bıçağı veya başka parçalar ile temas haline gelmemesi için özen gösterin.
- b) **Alt koruyucuya bağlı yayın düzgün biçimde çalışır durumda olup olmadığını kontrol edin. Eğer koruyucu ile yay düzgün biçimde çalışmıyorsa, ürünün yetkili servis tarafından bakımı yapılmalıdır.** Zarar görmüş parçalar, yapışkan birikintiler veya birikmiş döküntüler alt koruyucunun ağır çalışmasına neden olabilir.
- c) **Alt koruyucu, sadece yukarıdan aşağı yapılan kesimler ve küçük parçaların kesimi gibi özel işlemlerde elle geriye çekilmelidir. Alt koruyucuyu tutacağı geriye doğru çekerek kaldırın ve testere bıçağı cismi kesmeye başladığı anda alt koruyucuyu bırakın.** Tüm diğer kesim biçimlerinde alt koruyucu otomatik olarak çalıştırılmalıdır.
- d) **Testereyi kesim tezgâhına veya zemine bırakmadan önce, alt koruyucunun testere bıçağını kaplayarak örtmesine özen gösterin.** Koruyucusu olmayan ve çalışır durumda olan bir bıçak testerenin geriye doğru hareket etmesine ve hareket hattında bulunan herşeyi kesmesine neden olacaktır. Testereyi kapattıktan sonra bıçağın tamamen hareketsiz hale gelmesi için gerekli olan süreyi hiçbir zaman gözden kaçırmayın.

## EK GÜVENLİK TALİMATI

### GENEL

- Bu alet 16 yaşının altındaki kişiler tarafından kullanılmamalıdır
- Bu alet sulu kesme işlerine uygun değildir
- **İstedığınız ayar değişikliklerini ve aksesuar değişikliklerini yapmadan önce mutlaka şebeke fişini prizden çekin**
- Kordon hasarlı iken cihazı kesinlikle kullanmayınız; uzman bir kişi tarafından değiştiriniz
- **Bu aletle asbest içeren malzemeleri işlemeyin** (asbest kanserojen bir madde kabul edilir)
- Kurşun içeren boya, bazı ahşap türleri, mineral ve metal gibi malzemelerden çıkan toz zararlı olabilir (tozla temasta bulunulması veya solunması operatörde veya yakında bulunan kişilerde alerjik reaksiyonlara ve/veya solunum yolu hastalıklarına neden olabilir); **toz maskesi takın ve toz ekstraksiyon cihazıyla çalışın (bağlanabilyorsa)**

- Bazı toz tipleri (örneğin meşe ve kayın ağacı tozu), bilhassa ahşap yenileme katkı maddeleriyle birlikte, kanserojenik olarak sınıflandırılır; **toz maskesi takın ve toz ekstraksiyon cihazı ile çalışın (bağlanabiliyorsa)**
- Çalışmak istediğiniz malzemelerin, toz ile ilgili ulusal taleplerini takip ediniz
- Kullandığınız kesme masasının mutlaka, elektrik kesintilerinden sonra motorun yeniden ve kontrol dışı çalışmasını önleyecek bir şalteri olmalıdır
- Kullandığınız kesme masasının mutlaka, bir yarma kaması olmalıdır

#### AKSESUARLAR

- SKIL sadece orijinal aksesuarlar kullanıldığında aletin düzgün çalışmasını garanti eder
- Bu aletle kullanacağınız aksesuar edilen devir sayısından azından aletin boştaki en yüksek devir sayısı kadar olmalıdır
- Sadece minimum 170 mm, maksimum 184 mm çapa ve 16 mm mil deliğine sahip testere bıçakları kullanın**
- HSS testere bıçaklarının bu aletle kullanılmasına müsaade yoktur
- Bu aletle taşlama/kesme diskleri kullanmayın

#### KULLANMADAN ÖNCE

- Güç geriliminin, aletin özellikli plakasında belirtilen voltaj değeriyle aynı olduğunu sık sık kontrol edin (230V veya 240V aletler 220V kaynağa bağlanabilir)
- İş parçasının vida, çivi ve benzeri malzeme tarafından hasar görmemesi için dikkatli olun; çalışmaya başlamadan önce bunları çıkartın
- Kesme işlemine başlamadan önce, kesme hattı altındaki ve üstündeki bütün engelleri uzaklaştırın
- Çalıştığınız parçayı sabitleyin** (kıskaçlarla ya da mengeneyle sabitlenmiş bir iş parçası elle tutulan işten daha güvenlidir)
- Görünmeyen elektrik kablolarını belirlemek için uygun bir tarama cihazı kullanın veya yerel akım ikmal şirketlerinden yardım isteyin** (elektrik kablolarıyla temas, yangın çıkmasına veya elektrik çarpmalarına neden olabilir; bir gaz borusu hasar görürse patlama tehlikesi ortaya çıkar; bir su borusunun delinmesi halinde maddi hasarlar meydana gelebilir veya elektrik çarpmaya tehlikesi ortaya çıkabilir)
- Tamamen kusursuz ve güvenli 16 Amp uzatma kabloları kullanın

#### KULLANIM SIRASINDA

- Cihaz çalışırken gürültü seviyesi 85 dB(A) desibele kadar çıkabilir; kulak koruyucu kullanınız
- Orijinal koruma tertibatı olmadan aleti asla kullanmayın
- Çok kuçuk iş parçalarını kesmeyi denemeyin
- Aleti başınızın üstünde tutarak çalışmayın
- Aletinize bloke olursa, veya alet normal çalışmıyorsa veya değişik gürültüler geliyorsa, aleti hemen kapatın ve fişi prizden çekin
- Eğer cihazı kullanırken kordon hasar görür yada kesilirse, kordona kesinlikle dokunmayınız ve derhal fişi çekiniz

#### KULLANIMDAN SONRA

- Aletinize bırakıp gitmeden önce mutlaka kapatın ve döner parçalarını tam olarak durmasını bekleyin
- Aleti kapatıktan sonra testere bıçağını yan taraftan bastırarak frenlemeyin

## KULLANIM

- Testere bıçağı takılması ③
  - ! şebeke fişini çekin**
  - altıgen anahtarını A levhasındaki B tutucusundan alın
  - bıçak pimini D altıgen anahtar ile çevirecek çıkartırken, eksen kilidi düğmesine C basın ve tutun
  - ! eksen kilidi düğmesine C yalnızca alet çalışmıyorken basın**
  - eksen kilidi düğmesini C bırakın
  - halkayı E çıkartın
  - kol G yardımı ile alt emniyet parçasını F açın, testere bıçağı monte üzerindeki oklar ile üst emniyet parçası üzerindeki aynı yönü göstermelidir
  - alt emniyet parçasını F bırakın
  - halkayı E takın
  - ! halkaların testereye değen kısımlarının H tamamen temiz olmasına dikkat edin**
  - bıçak pimini altıgen anahtar ile 1/8 oranında sıkıca takarken, eksen kilidi düğmesine C basın ve tutun (sert maddeler üzerinde kesim yaparken testere bıçağının yerinden oynamasını yada testerenin aniden sıçramasını ve motora yüklenilmesini önler)
  - eksen kilidi düğmesini C bırakın
- Kesme derinliğinin ayarlanması (0-65 mm) ④
  - kesme kalitesinin optimal olarak sağlanabilmesi için testere bıçağının iş parçasının altından 3 mm'den fazla çıkarması gerekir
  - düğmeyi J gevşetin
  - göstergeden L yararlanarak, ayağı K kaldırma/indirme açığı çizelgesinde istediğiniz kesme derinliği ayarlayın
  - düğmeyi J tekrar sıkın
- Kesme açısının ayarlanması (0-45°) ⑤
  - düğmeyi M gevşetin
  - göstergeden N yararlanarak, aleti devirmek suretiyle açığı çizelgesinde istediğiniz kesme açısını ayarlayın
  - düğmeyi M tekrar sıkın
  - ! gönyeli kesme sırasında derinlik çizelgesinde görülen kesme derinliği gerçek kesme derinliği değildir**
- 90°-Kesme açısı kontrolü ⑥
  - ayağı K maksimum kesme derinliğine ayarlayın ve sıkın ④
  - kesme açısını 0°'ye ayarlayın ve sıkın
  - bir gönyeye ile testere bıçağı ve ayak alt kenarı arasındaki 90°'yi kontrol edin
  - ayar yapılması gerekiyorsa, düğmeyi M gevşetin ve ayar vidasını P resimde gösterildiği gibi kullanın
- Ayarlanabilir bıçak korumalı Q ⑥a
  - aletin, iş parçası üzerine çizilen kesme hattı üzerinde hassas biçimde yönlendirilmesini sağlar
  - 0°'lik düz kesme işlerini veya ilgili gösterge hatlarını kullanarak 45°'lik gönyeli kesme işlerini sağlar
  - ! ayağın büyük bölümü, iş parçasının yaslanmış bölümü üzerinde olmalıdır**
  - atılacak parçanın mı yoksa ihtiyacınız olan parçanın mı bıçağın iç yada dış kısmında olmasını seçmenizi sağlayacak şekilde ayarlanabilir ⑥b
  - ! kesme genişliği, testere bıçağı kalınlığı ile değil, testere bıçağı dişlerinin genişliği ile belirlenir**
  - ! gerçek kesme çizgisini kontrol etmek için daima bir deneme kesmesi yapın**

- Toz emme
  - üzerine emme elektrik süpürgesinin hortumunu adaptörü R (7) takın
- ! **elektrik süpürgesi hortumu hiçbir zaman alt bıçak koruma parçası deliğini kapatmamalı veya kesme işleminde engel olmamalıdır**
- yaparken bir toz torbası kullanılabilir (SKIL aksesuar 2610387402)
- ! **metalleri keserken toz torbası/elektrik süpürgeyi kullanmayınız**
- Aletin çalıştırılması (7)
  - şebeke fişini prize takın
  - daima bir elinizle S tutamağını, diğer elinizle de T tutamağını tutun
  - aletin ayağının ön tarafını iş parçası üzerine pozisyonlayın
- ! **testere bıçağı dişlerinin iş parçasını saplı olmamasına dikkat edin**
- önce başparmağınızla düğmeye V basıp (= sabitlenemiyen emniyet şalteri) şaltere W basmak suretiyle aleti çalıştırın
- ! **testere, testere bıçağı iş parçası içine girmeden önce maksimum hıza erişmelidir**
- testere bıçağı iş parçası içine sokulunca alt bıçak koruma parçası F kendiliğinden açılır (alt bıçak koruma parçasını sadece özel işler için, örneğin yerleştirici kesmeler için elle açın; bunu yaparken de kolu G kullanın)
- ! **aleti gereğinden fazla zorlamayın** (bıçak uçlarının aşırı ısınmasını ve plastik keserken plastiği eritmesini önlemek için hafif ve sürekli basınç uygulayın)
- ! **çalışma esnasında, aleti daima gri renkli bütge(ler)den tutun(uz)**
- kesme işleminden sonra şalteri W boş a olarak aleti kapatın
- ! **aleti iş parçasından çıkarmadan önce testere bıçağının tam olarak durmasını bekleyin**

## UYGULAMA

- Kılavuz rayı (SKIL aksesuar 2610Z04064) adaptör ile birlikte kullanıldığında, kesme derinliği hem 90° hem de 45°'lik kesimlerde 14 mm kadar azalacaktır
- Parçalanma ve yarılmaları minimum düzeyde tutabilmek için iş parçasının iyi olan tarafını daima aşağı bakacak biçimde yerleştirin
- Daima doğru tip ve keskin testere bıçakları kullanın (8)
  - kesme kalitesi dişlerin sayısı ile düz orantılı olarak artar
  - sert metalli testere bıçaklarının kullanım ömrü, geleneksel testere bıçaklarına oranla 30 kat daha uzundur
- Yan dayamak Y (9)
  - iş parçası kenarlarının hassas paralel kesimlerini sağlar
  - ayağın her iki yanına da takılabilir
- Yan dayamağın ayarlanması
  - düğmeye Z gevşetin
  - yan dayamak çizelgesi yardımı ile istediğiniz kesme genişliğini ayarlayın (bıçak korumalı Q 0-referansı olarak kullanın)
  - düğmeye Z tekrar sıkın
- Yerleştirme kesimi (10)
  - istediğiniz kesme derinliğini ayarlayın

- bıçak korumalı Q iş parçası üzerine çizilmiş bulunan kesme hattına doğrultulmuş biçimde aleti öne devirin
- kol G yardımı ile alt emniyet parçasını F açın
- testere bıçağı iş parçasına daldıktan hemen önce aleti çalıştırın ve aletin arka kısmını, ön ayak kenarını dayama noktası olarak kullanarak, yavaşça indirin
- aleti yavaşça aşağı indirin
- testere bıçağı cismi kesmeye başladığı, kolu G gevşetin
- ! **aleti prensip olarak geri sürmeyin**
- Büyük levhaların veya tablaların kesilmesi (11)
  - kesilecek levhayı, kesme hattı yakın olacak biçimde yere, bir masaya veya bir tezgâha yatırın
- ! **kesme derinliğini, levha tam kesilecek ve zemin kesilmeyecek ölçüde ayarlayın**
- eğer yan dayamak istenen kesme genişliğine olanak sağlamıyorsa, kılavuz işlevi görmek üzere düz bir çitayı iş parçası üzerine yapııştırıp veya çiviledikten sonra, aleti, sağ ayak tarafı bu çitayı izleyecek biçimde hareket ettirin

## BAKIM / SERVİS

- Bu alet profesyonel kullanıma yönelik değildir
- Aleti ve kablosunu daima temiz tutun (özellikle havalandırma yuvalarını)
- ! **temizlemeden önce, cihazın fişini prizden çekin**
- Alt koruyucunun F (3) çevresini her zaman temiz tutun (basınçlı hava veya fırça yardımıyla tozu ve talaşı giderin)
- Testere bıçağının işiniz biter bitmez temizleyin (özellikle üzerinde reçine ve tutkal kalıntıları varsa)
- Dikkatli biçimde yürütülen üretim ve test yöntemlerine rağmen aleti arıza yapacak olursa, onarım SKIL elektrikli aletleri için yetkili bir serviste yapılmalıdır
  - aleti ambalajıyla birlikte satın alma belgenizde ekleyerek satıcınıza veya en yakın SKIL servisine ulaştırın (adresler ve aletin servis şemaları www.skil.com adresinde listelenmiştir)

## ÇEVRE

- **Elektrikli aletlerini, aksesuarları ve ambalajları evdeki çöp kutusuna atmayınız** (sadece AB ülkeleri için)
  - kullanılmış elektrikli aletleri, elektrik ve elektrikli eski cihazlar hakkındaki 2012/19/EC Avrupa yönergelerine göre ve bu yönergeler ulusal hukuk kurallarına göre uyarlanarak, ayrı olarak toplanmalı ve çevre şartlarına uygun bir şekilde tekrar değerlendirmeye gönderilmelidir
  - sembol (12) size bunu anımsatmalıdır

## UYGUNLUK BEYANI CE

### Daire testere 5665/5765

#### Teknik veriler (1)

- Tek sorumlu olarak "Teknik veriler" bölümünde tanımlanan ürünün aşağıdaki norm veya normatif belgelere uygunluğunu beyan ederiz: EN 60745, EN 61000, EN 55014 yönetmelik hükümleri uyarınca 2014/30/EU, 2006/42/EG, 2011/65/EU

- **Teknik belgelerin bulunduğu merkez:** SKIL Europe BV (PT-SEU/ENG1), 4825 BD Breda, NL

Marijn van der Hoofden  
Operations & Engineering

Olaf Dijkgraaf  
Approval Manager

SKIL Europe BV, 4825 BD Breda, NL

16.10.2014

## GÜRÜLTÜ/TİTREŞİM

- Ölçülen EN 60745 göre ses basıncı bu makinanın seviyesi 97 dB(A) ve çalışma sırasındaki gürültü 108 dB(A) (standart sapma: 3 dB), ve titreşim  $\ast$  m/s<sup>2</sup> (üç yönün vektör toplamı; tolerans K = 1,5 m/s<sup>2</sup>)
    - $\ast$  tahta keserken 2,6 m/s<sup>2</sup>
    - $\ast$  metalleri keserken 2,2 m/s<sup>2</sup>
  - Titreşim emisyon seviyesi EN 60745'te sunulan standart teste göre ölçülmüştür; bu seviye, bir aleti bir başkasıyla karşılaştırmak amacıyla ve aletin söz konusu uygulamalarda kullanılması sırasında titreşime maruz kalma derecesinin ön değerlendirilmesi olarak kullanılabilir
    - aletin farklı uygulamalar için veya farklı ya da bakımı yetersiz yapılmış aksesuarlarla kullanılması, maruz kalma seviyesini belirgin biçimde **artırabilir**
    - aletin kapalı olduğu veya çalıştığı ancak gerçek anlamda iş yapmadığı zamanlarda, maruz kalma seviyesi belirgin biçimde **azalabilir**
- ! aletin ve aksesuarlarının bakımını yaparak, ellerinizi sıcak tutarak ve iş modellerinizi düzenleyerek kendinizi titreşimin etkilerinden koruyun**

PL

**Pilarka tarczowa**

**5665/5765**

## WSTĘP

- Narzędzie to przeznaczone jest do wzdłużnego i poprzecznego cięcia drewna, zarówno pod kątem prostym, jak i ukośnie do 45°; przy zastosowaniu odpowiednich ostrzy istnieje możliwość cięcia metali nieśelaznych, lekkich materiałów budowlanych oraz tworzyw sztucznych
- Narzędzie nie jest przeznaczone do zastosowań profesjonalnych
- Przeczytać i zachować niniejszą instrukcję obsługi ②

## DANE TECHNICZNE ①

## BEZPIECZEŃSTWO

### OGÓLNE PRZEPISY BEZPIECZEŃSTWA

**⚠ UWAGA! Należy przeczytać wszystkie wskazówki i przepisy.** Błędy w przestrzeganiu poniższych wskazówek mogą spowodować porażenie prądem, pożar i/lub ciężkie obrażenia ciała. **Należy starannie przechowywać**

**wszystkie przepisy i wskazówki bezpieczeństwa dla dalszego zastosowania.** Użyte w poniższym tekście pojęcie "elektronarzędzie" odnosi się do elektronarzędzi zasilanych energią elektryczną z sieci (z przewodem zasilającym) i do elektronarzędzi zasilanych akumulatorami (bez przewodu zasilającego).

### 1) BEZPIECZEŃSTWO MIEJSCA PRACY

- a) **Miejsce pracy należy utrzymywać w czystości i dobrze oświetlone.** Nieporządek lub nie oświetlone miejsce pracy mogą doprowadzić do wypadków.
- b) **Nie należy pracować tym narzędziem w otoczeniu zagrożonym wybuchem, w którym znajdują się np. łatwopalne ciecze, gazy lub pyły.** Elektronarzędzia wytwarzają iskry, które mogą podpalić ten pył lub pary.
- c) **Elektronarzędzie trzymać podczas pracy z daleka od dzieci i innych osób.** Przy nieuwadze można stracić kontrolę nad narzędziem.

### 2) BEZPIECZEŃSTWO ELEKTRYCZNE

- a) **Wtyczka urządzenia musi pasować do gniazda. Nie wolno modyfikować wtyczki w jakikolwiek sposób. Nie należy używać wtyczek adapterowych razem z uziemionymi narzędziami.** Nieziemione wtyczki i pasujące gniazda zmniejszają ryzyko porażenia prądem.
- b) **Należy unikać kontaktu z uziemionymi powierzchniami jak rury, grzejniki, piece i lodówki.** Istnieje zwiększone ryzyko porażenia prądem, gdy Państwa ciało jest uziemnione.
- c) **Urządzenie należy przechowywać zabezpieczone przed deszczem i wilgocią.** Wniknięcie wody do elektronarzędzia podwyższa ryzyko porażenia prądem.
- d) **Nigdy nie należy używać kabla do innych czynności. Nigdy nie używać kabla do noszenia urządzenia za kabel, zawieszenia lub do wyciągania wtyczki z gniazda. Kabel należy trzymać z daleka od wysokich temperatur, oleju, ostrych krawędzi lub ruchomych części urządzenia.** Uszkodzone lub poplątane kable zwiększają ryzyko porażenia prądem.
- e) **W przypadku, kiedy elektronarzędziem pracuje się na świeżym powietrzu należy używać kabla przedłużającego, który dopuszczony jest do użytkowania na zewnątrz.** Użycie dopuszczonego do użytkowania na zewnątrz kabla przedłużającego zmniejsza ryzyko porażenia prądem.
- f) **Jeżeli nie da się uniknąć zastosowania elektronarzędzia w wilgotnym otoczeniu, należy użyć wyłącznika ochronnego różnicowo-prądowego.** Zastosowanie wyłącznika ochronnego różnicowo-prądowego zmniejsza ryzyko porażenia prądem.

### 3) BEZPIECZEŃSTWO OSÓB

- a) **Należy być uważnym, uważać na to co się robi i pracę elektronarzędziem rozpoczynać z rozsądkiem. Nie należy używać urządzenia gdy jest się zmęczonym lub pod wpływem narkotyków, alkoholu lub lekarstw.** Moment nieuwagi przy użyciu urządzenia może doprowadzić do poważnych urażeń ciała.
- b) **Należy nosić osobiste wyposażenie ochronne i zawsze okulary ochronne.** Noszenie osobistego wyposażenia ochronnego jak maska przeciwpyłowa, nie ślizgające się buty robocze, hełm ochronny lub ochrona słuchu, w zależności od rodzaju i zastosowania elektronarzędzia zmniejsza ryzyko obrażeń ciała.

- c) **Należy unikać niezamierzonego uruchomienia narzędzia. Przed włożeniem wtyczki do gniazdka i/ lub podłączeniem do akumulatora, a także przed podniesieniem lub przeniesieniem elektronarzędzia, należy upewnić się, że elektronarzędzie jest wyłączone.** Trzymanie palca na wyłączniku podczas przenoszenia elektronarzędzia lub podłączenie do prądu włączanego narzędzia, może stać się przyczyną wypadków.
- d) **Zanim urządzenie zostanie włączone należy usunąć narzędzia nastawcze lub klucze.** Narzędzie lub klucz, które znajdują się w ruchomych częściach urządzenia mogą doprowadzić do obrażeń ciała.
- e) **Nie należy przeceniać swoich możliwości. Należy dbać o bezpieczną pozycję pracy i zawsze utrzymywać równowagę.** Przez to możliwa jest lepsza kontrola urządzenia w nieprzewidzianych sytuacjach.
- f) **Należy nosić odpowiednie ubranie. Nie należy nosić luźnego ubrania lub biżuterii. Włosy, ubranie i rękawice należy trzymać z daleka od ruchomych elementów.** Luźne ubranie, biżuteria lub długie włosy mogą zostać pociągnięte przez poruszające się części.
- g) **W przypadku, kiedy możliwe jest zamontowanie urządzeń odsysających lub podchwytujących należy upewnić się, czy są one właściwie podłączone i prawidłowo użyte.** Użycie urządzenia odsysającego pył może zmniejszyć zagrożenie pyłami.

#### 4) UWAŻNE OBCOWANIE ORAZ UŻYCIE ELEKTRONARZĘDZIA

- a) **Nie należy przeciążać urządzenia. Do pracy używać należy elektronarzędzia, które jest do tego przewidziane.** Odpowiednim narzędziem pracuje się lepiej i bezpieczniej w podanym zakresie sprawności.
- b) **Nie należy używać elektronarzędzia, którego włącznik/wyłącznik jest uszkodzony.** Elektronarzędzie, którego nie można włączyć lub wyłączyć jest niebezpieczne i musi zostać naprawione.
- c) **Przed regulacją urządzenia, wymianą osprzętu lub po zaprzestaniu pracy narzędziem, należy wyciągnąć wtyczkę z gniazdka i/lub usunąć akumulator.** Ten środek ostrożności zapobiega niezamierzonemu włączeniu się urządzenia.
- d) **Nie używane elektronarzędzia należy przechowywać poza zasięgiem dzieci. Nie należy udostępniać narzędzia osobom, które jego nie umieją lub nie przeczytały tych przepisów.** Używane przez niedoświadczonych osoby elektronarzędzia są niebezpieczne.
- e) **Urządzenie należy starannie konserwować. Należy kontrolować, czy ruchome części urządzenia funkcjonują bez zarzutu i nie są zablokowane, czy części nie są pęknięte lub uszkodzone, co mogłoby mieć wpływ na prawidłowe funkcjonowanie urządzenia. Uszkodzone narzędzie należy przed użyciem urządzenia oddać do naprawy.** Wiele wypadków spowodowanych jest przez niewłaściwą konserwację elektronarzędzia.
- f) **Osprzęt tnący należy utrzymywać ostry i czysty.** Starannie pielęgnowany osprzęt tnący z ostrymi krawędziami tnącymi blokuje się rzadziej i łatwiej się używa.

- g) **Elektronarzędzia, osprzęt, narzędzia itd. należy używać odpowiednio do tych przepisów. Uwzględnić należy przy tym warunki pracy i czynność do wykonania.** Użycie elektronarzędzi do innych niż przewidziane prace może doprowadzić do niebezpiecznych sytuacji.

#### 5) SERWIS

- a) **Naprawę urządzenia należy zlecić jedynie kwalifikowanemu fachowcowi i przy użyciu oryginalnych części zamiennych.** To gwarantuje, że bezpieczeństwo użytkowania zostanie zachowane.

#### WSKAZÓWKI BEZPIECZEŃSTWA DO PILARKI TARCZOWEJ

##### 1) PROCES CIĘCIA

- a) **❗ NIEBEZPIECZEŃSTWO : Ręce należy trzymać z dala od obszaru pracy pilarki i zachować bezpieczną odległość od poruszającej się tarczy. Drugą ręką należy trzymać uchwyty dodatkowy lub obudowę silnika.** Trzymając pilarkę oburącz można uniknąć skaleczenia rąk przez tarczę tnącą.
- b) **Nie sięgaj ręką pod spód przecinanego materiału.** Ostona nie chroni przed ostrzem poniżej przecinanej części.
- c) **Dostosuj głębokość cięcia do grubości obrabianego materiału.** Mniej niż pełna wysokość pojedynczego zęba tarczy powinna być widoczna pod przecinanym materiałem.
- d) **W żadnym wypadku nie wolno przytrzymywać przecinanego przedmiotu ręką, ani trzymać go na kolanach. Obrabiany przedmiot należy stabilnie umieścić na stałym podłożu.** Właściwe zamocowanie obrabianego przedmiotu jest bardzo istotne, gdyż dzięki temu można zminimalizować niebezpieczeństwo, w przypadku kontaktu z ciałem użytkownika, zablokowania się brzeszczotu lub utraty kontroli nad sytuacją.
- e) **Podczas prac, przy których elektronarzędzie mogłoby natrafić na ukryte przewody elektryczne lub na własny przewód, należy je trzymać tylko za izolowaną rękkość.** Pod wpływem kontaktu z przewodami będącymi pod napięciem, wszystkie części metalowe elektronarzędzia znajdują się również pod napięciem i mogą spowodować porażenie prądem osoby obsługującej.
- f) **Przy cięciu wzdłużnym korzystaj ze specjalnej przewodnicy piły tarczowej lub z prostej przewodnicy do krawędzi.** Poprawia to dokładność cięcia i redukuje możliwość zakleszczania się ostrza.
- g) **Należy zawsze stosować tarcze tnące o właściwych rozmiarach zewnętrznych i o odpowiednim otworze mocowania tarczy (np. w kształcie gwiazdy lub okrągłym).** Tarcze tnące, nie pasujące do części mocujących pilarki, powodują nierównomierny bieg urządzenia i prowadzą do utraty panowania nad elektronarzędziem.
- h) **Nie używaj nigdy uszkodzonych lub nieprawidłowych podkładek ani wkretów.** Firmowe podkładki i wkrety zostały zaprojektowane specjalnie dla określonej piły, w celu zapewnienia jej optymalnego i bezpiecznego działania.



## 2) ODRZUT - PRZYCZYNY I ODPOWIEDNIE WSKAZÓWKI

- Odrzut jest nagłą reakcją tarczy pilarki zakleszczonej, zaciętej lub nieprawidłowo ustawionej, powodującą niekontrolowane uniesienie się pilarki ponad przecinaną część, w kierunku operatora
- Ostrze, które zatnie się lub zakleszczy w przeczinanej szczelinie, zatrzyma się, a przebiegający silnik spowoduje nagły ruch narzędzia w kierunku operatora
- W przypadku skrzywienia lub wadliwego ustawienia tarczy w przeczinanej szczelinie, zęby jej tylnej krawędzi mogą wrznąć się w górną powierzchnię drewna powodując wynurzenie się ostrza ze szczeliny i jego odrzut w stronę operatora
- Odrzut jest wynikiem nieprawidłowego używania narzędzia i/lub nieodpowiedniej procedury lub warunków eksploatacji; można go uniknąć zachowując niżej podane środki ostrożności

a) **Trzymaj narzędzie mocno dwoma rękami i ustaw się w pozycji umożliwiającej odparcie siły odrzutu. Ustaw się podczas cięcia na prawo lub na lewo od linii cięcia ale nigdy nie w linii prostej cięcia.** Odrzut może spowodować odbicie do tyłu, które może być kontrolowane przez operatora jeżeli zachowane są odpowiednie środki ostrożności.

b) **W przypadku zakleszczenia lub przerwania zabiegu cięcia, z jakiegokolwiek przyczyny, zwolnij spust i przytrzymaj piłę nieruchomo, aż do chwili całkowitego zatrzymania się ostrza. Nie próbuj nigdy wycofywać piły z przecinanego materiału przy poruszającym się ostrzu. Takie postępowanie może spowodować odrzut.** Zbadaj i usuń przyczyny zakleszczenia się ostrza. Unikaj przecinania śrób lub gwoździ.

c) **Przy ponownym uruchamianiu piły z ostrzem wewnątrz przecinanego materiału, ustaw ostrze centralnie w szczelinie i sprawdź, czy zęby nie wnikają w materiał.** Zakleszczone ostrze może wykoczyć lub zostać wyrzucone ze szczeliny z chwilą ponownego uruchomienia piły.

d) **Podpieraj duże płyty, żeby ograniczyć ryzyko zakleszczenia ostrza i odrzutu.** Duże płyty mają tendencję do zwisania pod własnym ciężarem. Podpory należy umieszczać pod płytą, na obu jej końcach, w pobliżu linii cięcia i blisko krawędzi płyty.

e) **Nie używaj tępych ani uszkodzonych ostrzy.** Nienaostzone lub nieprawidłowo ustawione ostrza wytwarzają wąską szczelinę, powodując nadmierne tarcie, zakleszczanie się ostrza i odrzut.

f) **Przed przystąpieniem do cięcia upewnij się, że dźwignia do regulacji głębokości i skosu wnikania są mocno dociśnięte.** Zmiana ustawienia ostrza w trakcie cięcia może spowodować zakleszczenie i odrzut.

g) **Należy zachować szczególną ostrożność podczas wykonywania cięć w ścianach lub operowaniu w innych niewidocznych obszarach.** Zagłębiająca się w materiale tarcza pilarska może spowodować odrzut pilarki po natrafieniu na ukryte obiekty.

## 3) FUNKCJE DOLNEJ OSŁONY

a) **Każdorazowo przed użyciem sprawdź prawidłowe zamykanie się dolnej osłony. Nie używaj piły, jeśli dolna osłona nie porusza się swobodnie i nie zamyka się natychmiastowo. Nie unieruchamiaj**

**nigdy dolnej osłony w otwartym położeniu.** W razie przypadkowego upuszczenia piły jej dolna osłona może ulec wygięciu. Wyjątek wtyk z gniazda sieciowego, podnieś osłonę przy pomocy jej uchwyty i sprawdź, czy porusza się swobodnie i czy nie dotyka ostrza ani żadnej innej części, przy wszystkich kątach i głębokościach cięcia.

b) **Sprawdź działanie sprężyny dolnej osłony. W przypadku gdy osłona lub sprężyna nie działają prawidłowo należy przed użyciem dokonać ich przeglądu technicznego.** Dolna osłona może działać powoli z powodu uszkodzonej części, lepkich osadów lub nabudowania się odpadów.

c) **Dolną osłonę można otwierać ręcznie tylko w przypadku wykonywania specjalnych lub skomplikowanych zabiegów cięcia, takich jak cięcie wgłębne lub złożone. Osłonę należy unieść korzystając z jej uchwyty i opuścić ją natychmiast z chwilą gdy ostrze wejdzie w materiał.** Przy wszystkich innych zabiegach przecinania dolna osłona powinna działać automatycznie.

d) **Przed umieszczeniem piły na podłodze lub na stole, zawsze zwróć uwagę, czy dolna osłona zakrywa ostrze.** Niezabezpieczone lub poruszające się rozpędem ostrze spowoduje przemieszczanie się piły do tyłu, tnąc wszystko na jej drodze. Pamiętaj, że po zwolnieniu wyłącznika upłynie pewien czas zanim piła zatrzyma się całkowicie.

## DODATKOWE WSKAZÓWKI BEZPIECZEŃSTWA

### OGÓLNE

- Narzędzie nie powinny używać dzieci poniżej 16 roku życia
- Urządzenie przeznaczone jest tylko do cięcia na sucho
- **Przed przystąpieniem do wykonywania jakiegokolwiek czynności przy narzędziu, w czasie przerw w pracy jak również po jej zakończeniu wyjąć wtyczkę z gniazda sieciowego**
- Pod żadnym pozorem nie wolno korzystać z narzędzia z uszkodzonym przewodem; zleć jego wymianę wykwalifikowanej osobie
- **Nie należy obrabiać materiału zawierającego azbest (azbest jest rakotwórczy)**
- Pył pochodzący z takich materiałów, jak farby zawierające ołów, niektóre gatunki drzewa, minerały i metal może być szkodliwy (kontakt z nim lub wdychanie takiego pyłu może powodować reakcje alergiczne i/lub niewydolność oddechową u operatora lub osób towarzyszących); **należy zakładać maskę przeciwpyłową i pracować z urządzeniem odsysającym, jeżeli można je podłączyć**
- Niektóre rodzaje pyłu są zaklasyfikowane jako rakotwórcze (takie, jak pył dębu i buka) szczególnie w połączeniu z dodatkami do kondycjonowania drewna; **należy zakładać maskę przeciwpyłową i pracować z urządzeniem odsysającym pył, jeżeli można je podłączyć**
- Należy stosować się do lokalnych wymogów dotyczących pracy w otoczeniu pyłu powstającego podczas obróbki materiału
- Stosować tylko stoły robocze posiadające zintegrowany wyłącznik bezpieczeństwa, zabezpieczający przed samoczynnym ponownym uruchomieniem silnika po zaniku zasilania

- Stosować tylko stoły robocze posiadające zintegrowany klin rozszczepiający

#### AKCESORIA

- SKIL może zagwarantować bezawaryjne działanie narzędzia tylko przy korzystaniu z oryginalnego wyposażenia dodatkowego
- Używać tylko akcesoriów, których dopuszczalna prędkość obrotowa jest co najmniej tak wysoka jak najwyższa prędkość obrotowa urządzenia na biegu bez obciążenia
- **Używaj wyłącznie brzeszczotów pił o minimalnej średnicy 170 mm, maksymalnej średnicy 184 mm i otworze na wrzeciono o średnicy 16 mm**
- Nie należy stosować pił z wysokostopowej stali szybko tnącej (HSS)
- Nigdy nie należy stosować tarczy szlifierskich/tnących z tym elektronarzędziem

#### PRZED UŻYCIEM

- Każdorazowo należy sprawdzać, czy napięcie zasilania jest zgodne z napięciem podanym na tabliczce znamionowej urządzenia (narzędzia na napięcie znamionowe 230V lub 240V zasilane można także napięciem 220V)
- Uwaga na gwoździe, śruby i inne twarde przedmioty; przed przystąpieniem do obróbki powinny być usunięte z obrabianego przedmiotu; usunąć je przed rozpoczęciem pracy
- Przed przystąpieniem do obróbki należy usunąć wszelkie przeszkody znajdujące się po obu stronach obrabianego przedmiotu wzdłuż linii cięcia
- **Należy zabezpieczyć miejsce przeznaczone do zszycia** (miejsce przeznaczone do zszycia umieszczone w zaciskach lub imadle jest utrzymywane w miejscu bezpieczniej niż w rękę)
- **Aby wykryć ukryte przewody zasilające należy używać stosownych detektorów lub porozumieć się z miejscowymi zakładami energetycznymi** (kontakt z przewodami elektrycznymi może doprowadzić do pożaru i porażenia elektrycznego; uszkodzenie przewodu gazowego może doprowadzić do wybuchu; uszkodzenie przewodów instalacji wodociągowej powoduje szkody rzeczowe i może spowodować porażenie elektryczne)
- W przypadku korzystania z kabla przedłużającego należy zwrócić uwagę, aby był maksymalnie nawinięty na bęben oraz był przystosowany do przewodzenia prądu o natężeniu przynajmniej 16 A

#### PODCZAS UŻYWANIA

- Poziom hałasu podczas pracy może przekraczać 85 dB(A); używać nasłucharki do ochrony słuchu
- Elektronarzędzie można stosować wyłącznie wraz z zamontowanymi wszystkimi urządzeniami służącymi bezpieczeństwu użytkownika
- Nie przecinać przedmiotów zbyt małych
- Nie pracować elektronarzędziem ponad głowę
- W przypadku zablokowania się piły w obrabianym materiale, stwierdzenia nietypowego zachowania się elektronarzędzia lub obcych dźwięków natychmiast wyłączyć zasilanie i wyjąć wtyczkę z gniazda sieciowego
- W przypadku uszkodzenia lub przecięcia przewodu podczas pracy, nie wolno go dotykać, tylko należy natychmiast wyciągnąć z gniazda wtyczkę

#### PO UŻYCIU

- Przed pozostawieniem elektronarzędzia należy odłączyć zasilanie elektryczne i odczekać do całkowitego zatrzymania się wrzeciona
- Nie należy zatrzymywać ruchu piły po wyłączeniu pilarki oddziaływując na piłę

#### UŻYTKOWANIE

- Instalacja piły tarczowej ③
  - ! **wyjąć wtyk z gniazda sieciowego**
  - wyjąć klucz sześciokątny A z gniazda B
  - nacisnąć przycisk C blokady wrzeciona obrotowego i przytrzymać go podczas odkręcania śruby mocującej tarczę D, obracając sześciokątnym kluczem trzpieniowym
  - ! **przycisk C blokady wrzeciona naciskać tylko wtedy, gdy tarcza piły jest nieruchoma**
  - zwolnić przycisk C blokady wrzeciona
  - zdjąć kryzę E
  - przy pomocy dźwigni G odchylić osłonę dolną F i przytrzymać dźwignię podczas montażu tarczy piły, ustawiając zęby i nadrukowaną strzałkę w takim samym kierunku, jak strzałka na górnej osłonie
  - uwolnić osłonę dolną F
  - założyć kryzę E
  - ! **upewnić się, że powierzchnie mocujące H kryzy są absolutnie czyste i przylegają do piły**
  - nacisnąć przycisk C blokady wrzeciona i przytrzymać go podczas dokręcania śruby mocowania sześciokątnym kluczem trzpieniowym o 1/8 obrotu ponad siłę dokręcenia palcami (zapewnia to poślizg tarczy po napotkaniu zbyt dużego oporu cięcia, a tym samym pozwala uniknąć przecięcia silnika i wstecznego odrzutu narzędzia)
  - zwolnić przycisk C blokady wrzeciona
- Ustawianie głębokości cięcia (0-65 mm) ④
  - w celu zapewnienia optymalnej jakości cięcia piła nie powinna wystawać poniżej dolnej powierzchni przedmiotu o więcej niż 3 mm
  - odkręcić pokrętko J
  - unieść/obniżyć płytę podstawy K w żądane położenie korzystając ze wskaźnika L
  - pokrętko J ponownie dokręcić
- Ustawienie kąta cięcia (0-45°) ⑤
  - odkręcić pokrętko M
  - elektronarzędzie przechylić w żądane położenie korzystając ze wskaźnika N
  - pokrętko M ponownie dokręcić
  - ! **w przypadku nieprostokątnego ustawienia piły głębokość cięcia wskazywana na podziałce nie odpowiada rzeczywistej głębokości**
- Sprawdzenie prostokątności cięcia - 90° ⑤
  - ustawić płytę podstawy K na maksymalną głębokość cięcia i zablokować ją w tym położeniu ④
  - ustawić kąt cięcia 0° i zablokować elektronarzędzie w tym położeniu
  - przy pomocy przyrządu kątownego sprawdzić prostokątność pomiędzy powierzchnią piły a dolną powierzchnią płyty podstawy
  - jeśli wymagana jest regulacja, poluzować pokrętko M i należy użyć śruby regulacyjnej P jak pokazano

- Regulowany wizjer linii cięcia Q ⑥a
  - pokazuje pozycję piły tarczowej przy cięciu wzdłuż uprzednio naniesionej linii
  - przy cięciu prostopadłym lub pod kątem 45° wykorzystywać odpowiednio linie wskazujące
  - ! **szersza strona płyty podstawy powinna przylegać do wspartej części obrabianego przedmiotu**
  - pozwala decydować, czy materiał odpadowy ma się znajdować po wewnętrznej, czy po zewnętrznej stronie tarczy piły ⑥b
  - ! **szerokość linii cięcia wyznacza nie grubość piły tarczowej, lecz grubość jej zębów**
  - ! **w celu sprawdzenia poprawności ustawienia wykonać próbne cięcie**
- Odsysanie pyłu
  - wąż odkurzacza przyłączyć do króćca R ⑦
  - ! **należy zwrócić uwagę, aby wąż odkurzacza nigdy nie blokował swobody ruchu osłony oraz nie utrudniał prowadzenia pilarki**
  - zaleca się stosowanie worka na wióry (osprzęt SKIL 2610387402)
  - ! **nie używać worka na pył/odkurzacza podczas cięcia metalu**
- Obsługa narzędzia ⑦
  - włożyć wtyk elektronarzędzia do gniazda sieciowego
  - elektronarzędzie prowadzić oburącz trzymając pewnie jedną ręką za uchwyt S drugą za uchwyt T
  - ustawić pewnie elektronarzędzie dolną powierzchnią płyty podstawy na obrabianym przedmiocie
  - ! **należy się upewnić czy zęby piły nie stykają się już z obrabianym przedmiotem**
  - elektronarzędzie uruchomić wciskając przycisk V (= włącznik bezpieczeństwa, nie powinien być blokowany) a następnie uruchomić włącznik W
  - ! **piłę przystawiać do obrabianego przedmiotu dopiero po osiągnięciu przez elektronarzędzie pełnej prędkości obrotowej**
  - osłona piły F otwierana jest automatycznie w momencie zbliżenia piły do obrabianego przedmiotu (osłonę odchyłać ręcznie tylko w przypadku wykonywania cięć specjalnych jak cięcia wgłębne; w tym celu wykorzystywać dźwignię G)
  - ! **nie wolno przeciążać narzędzia** (należy stosować lekki miarowy docisk, co pozwoli uniknąć przegrzania końcówek brzeszczotu, a w przypadku cięcia plastiku - stopienia go)
  - ! **podczas pracy zawsze trzymać narzędzie za uchwyt(y) ograniczone szarym kolorem**
  - po zakończeniu cięcia elektronarzędzie wyłączyć zwalniając włącznik W
  - ! **przed podniesieniem narzędzia z obrabianego materiału należy się upewnić, że ostrze zatrzymało się w pełni**

## WSKAZÓWKI UŻYTKOWANIA


- Podczas używania prowadnicy (akcesoria SKIL 2610Z04064) z adapterem głębokość cięcia zostanie zmniejszona o 14 mm zarówno dla cięcia pod kątem 90°, jak i 45°
- W celu ograniczenia zjawiska wykruszania krawędzi powierzchnia przedmiotu o wymaganym ładnym wygładzie powinna być skierowana do dołu

- Stosować tylko ostre piły tarczowe nie wykazujące uszkodzeń o odpowiednich wymiarach ⑧
  - jakość cięcia poprawia się wraz ze wzrostem ilości zębów wykorzystywanej piły tarczowej
  - piły tarczowe z zębami z węglików spiekanych posiadają o ok. 30-to krotnie większą żywotność w stosunku do pił konwencjonalnych
- Prowadnica równoległa Y ⑨
  - umożliwiała wykonywanie dokładnych cięć równoległych do krawędzi przedmiotu
  - może być mocowana z obu stron płyty podstawy
- Ustawianie położenia prowadnicy równoległej
  - odkręcić pokrętko Z
  - korzystając z podziałki na prowadnicy ustawić wymaganą odległość cięcia (wizjer linii cięcia Q stosować jako zerowego punktu odniesienia)
  - pokrętko Z ponownie dokręcić
- Cięcia wgłębne ⑩
  - ustawić wymaganą głębokość cięcia
  - przechylić narzędzie do przodu, kierując wizjer linii cięcia Q na naniesioną na obrabianym przedmiocie linię
  - przy pomocy dźwigni G odchylić osłonę piły F
  - bezpośrednio przed zagłębieniem piły uruchomić elektronarzędzie, przechylając pilarkę wzdłuż przedniej krawędzi podstawy opuścić wolno tylną część elektronarzędzia
  - opuszczać powoli tylną część elektronarzędzia wolno przesuwając do przodu
  - natychmiast z chwilą gdy ostrze wejdzie w materiał, zwolnić dźwignię G
  - ! **elektronarzędzie prowadzić tylko do przodu**
- Cięcia większych płyt ⑪
  - piłę podeprzeć wzdłuż linii cięcia, na podłodze stołu lub warsztacie
  - ! **ustawić głębokość cięcia w taki sposób, aby przecinać tylko płytę a nie przedmioty wspierające znajdujące się poniżej**
  - w przypadku gdy prowadnica równoległa nie daje możliwości cięcia w dużej odległości, przytwierdzić dodatkową listwę do powierzchni płyty i prowadzić elektronarzędzie prawą stroną wzdłuż listwy

## KONSERWACJA / SERWIS


- Narzędzie nie jest przeznaczone do zastosowań profesjonalnych
- Zawsze dbać o czystość narzędzia i przewodu zasilającego (a szczególnie otworów wentylacyjnych)
  - ! **przed przystąpieniem do czyszczenia należy wyjąć wtyk z gniazda sieciowego**
- Obszar wokół dolnej osłony F ③ musi być zawsze czysty (należy usunąć kurz i opiłki przy użyciu sprężonego powietrza lub pędzla)
- Piłę tarczową czyścić każdorazowo po zakończonej pracy (szczególnie z żywic i pozostałości klejów)
- Jeśli narzędzie, mimo dokładnej i wszechstronnej kontroli produkcyjnej ulegnie kiedykolwiek awarii, naprawę powinien przeprowadzić autoryzowany serwis elektronarzędzi firmy SKIL
  - odesłać **nierozebrany** narzędzie, wraz z dowodem zakupu, do dealera lub do najbliższego punktu usługowego SKIL (adresy oraz diagram serwisowy narzędzenia znajdują się na stronach [www.skil.com](http://www.skil.com))

# ŚRODOWISKO

- **Nie wyrzucaj elektronarzędzi, akcesoriów i opakowania wraz z odpadami z gospodarstwa domowego** (dotyczy tylko państw UE)
  - zgodnie z Europejską Dyrektywą 2012/19/WE w sprawie zużytego sprzętu elektrotechnicznego i elektronicznego oraz dostosowaniem jej do prawa krajowego, zużyte elektronarzędzia należy posegregować i zutylizować w sposób przyjazny dla środowiska
  - w przypadku potrzeby pozbycia się narzędzia, akcesoriów i opakowania - symbol  przypomni Ci o tym

## DEKLARACJA ZGODNOŚCI CE

**Piłarka tarczowa 5665/5765**

**Dane techniczne** 

- Oświadczamy z pełną odpowiedzialnością, że produkt, przedstawiony w "Dane techniczne", odpowiada wymaganiom następujących norm i dokumentów normatywnych: EN 60745, EN 61000, EN 55014, zgodnie z wymaganiami dyrektyw 2014/30/UE, 2006/42/EU, 2011/65/UE
- **Dokumentacja techniczna:** SKIL Europe BV (PT-SEU/ENG1), 4825 BD Breda, NL

Marijn van der Hoofden  
Operations & Engineering

Olaf Dijkgraaf  
Approval Manager

SKIL Europe BV, 4825 BD Breda, NL

16.10.2014

## HAŁASU/WIBRACJE


- Pomiarów dokonano zgodnie z normą EN 60745 ciśnienie akustyczne narzędzia wynosi 97 dB(A) zaś poziom mocy akustycznej 108 dB(A) (poziom odchylenie: 3 dB), zaś vibracje \* m/s<sup>2</sup> (suma wektorowa z trzech kierunków; błąd pomiaru K = 1,5 m/s<sup>2</sup>)
    - \* podczas cięcia drewna 2,6 m/s<sup>2</sup>
    - \* podczas cięcia metalu 2,2 m/s<sup>2</sup>
  - Poziom emisji vibracji został zmierzony zgodnie z testem standaryzowanym podanym w EN 60745; może służyć do porównania jednego narzędzia z innym i jako ocena wstępna narażenia na vibracje w trakcie używania narzędzia do wymienionych zadań
    - używanie narzędzia do innych zadań, lub z innymi albo źle utrzymanymi akcesoriami, może znacząco **zwiększyć** poziom narażenia
    - przypadki, kiedy narzędzie jest wyłączone lub jest czynne, ale aktualnie nie wykonuje zadania, mogą znacząco **zmniejszyć** poziom narażenia
- ! należy chronić się przed skutkami vibracji przez konserwację narzędzia i jego akcesoriów, zakładanie rękawic i właściwą organizację pracy**

UA

## Дискова пила

5665/5765

## ВСТУП

- Цей інструмент призначений для поздовжнього та поперечного розпилювання деревини прямими розрізами, а також розрізами під кутом 45°; також можливе розпилювання кольорових металів, легких будівельних матеріалів та пластика за допомогою відповідних лез
- Цей інструмент не придатний для промислового використання
- Прочитайте і збережіть цю Інструкцію з експлуатації 

## ТЕХНІЧНІ ДАНІ

## БЕЗПЕКА

### ЗАГАЛЬНІ ВКАЗІВКИ З ТЕХНІКИ БЕЗПЕКИ

**⚠ УВАГА! Прочитайте всі попередження і вказівки.** Недодержання попереджень і вказівок може призводити до удару електричним струмом, пожежі та/або серйозних травм. **Добре зберігайте на майбутнє ці попередження і вказівки.** Під поняттям "електроприлад" в цих попередженнях мається на увазі електроприлад, що працює від мережі (з електрокабелем) або від акумуляторної батареї (без електрокабелю).

### 1) БЕЗПЕКА НА РОБОЧОМУ МІСЦІ

- Примайте своє робоче місце в чистоті та прибирайте його.** Безлад або погане освітлення на робочому місці можуть призводити до нещасних випадків.
- Не працюйте з приладом у середовищі, де існує небезпечна вибух наслідком присутності горючих рідин, газів або пилу.** Електроприлади можуть породжувати іскри, від яких може займатися пил або пари.
- Під час працювання з приладом не підпускайте до робочого місця дітей та інших людей.** Ви можете втратити контроль над приладом, якщо Ваша увага буде відвернута.

### 2) ЕЛЕКТРИЧНА БЕЗПЕКА

- Штепсель приладу повинен пасувати до розетки. Не дозволяється що-небудь міняти в штепселі. Для роботи з приладами, що мають захисне заземлення, не використовуйте адаптери.** Використання оригінального штепселя та належної розетки зменшує ризик удару електричним струмом.
- Уникайте контакту частей тіла із заземленими поверхнями, як напр., трубами, батареями опалення, печами та холодильниками.** Коли Ваше тіло заземлене, існує збільшена небезпечка удару електричним струмом.
- Захищайте прилад від дощу та вологи.** Попадання води в електроінструмент збільшує ризик удару електричним струмом.

- d) Не використовуйте кабель для перенесення приладу, підвішування або витягування штепселя з розетки. Захищайте кабель від жару, латії, гострих країв та деталей приладу, що рухаються. Пошкоджений або закручений кабель збільшує ризик удару електричним струмом.
- e) Для зовнішніх робіт обов'язково використовуйте лише такий подовжувач, що допущений для зовнішніх робіт. Використання подовжувача, що розрахований на зовнішні роботи, зменшує ризик удару електричним струмом.
- f) Якщо не можна запобігти використанню електроприладу у вологому середовищі, використовуйте пристрій захисту від витоків в землю. Використання зристою захисту від витоків в землю зменшує ризик удару електричним струмом.

### 3) БЕЗПЕКА ЛЮДЕЙ

- a) Будьте уважними, слідкуйте за тим, що Ви робите, та розсудливо поведіться під час роботи з електроприладом. Не користуйтеся приладом, якщо Ви стомлені або знаходитесь під дією наркотиків, спиртних напоїв або лік. Мить неуважності при користуванні приладом може призводити до серйозних травм.
- b) Вдягайте особисте захисне спорядження та обов'язково вдягайте захисні окуляри. Вдягання особистого захисного спорядження, як напр., - в залежності від виду робіт - захисної маски, спецвзуття, що не ковзається, каски або навушників, зменшує ризик травм.
- c) Уникайте ненавмисного вмикання. Перш ніж вмикати електроприлад в електромережу або встромляти акумуляторну батарею, брати його в руки або переносити, впевніться в тому, що електроприлад вимкнений. Тримання пальця на вимикачі під час перенесення електроприладу або встромляння в розетку увімкненого приладу може призводити до травм.
- d) Перед тим, як вмикати прилад, приборіть налагоджувальні інструменти та гайковий ключ. Знаходження налагоджувального інструмента або ключа в деталі, що обертається, може призводити до травм.
- e) Не переоцінюйте себе. Зберігайте стійке положення та завжди зберігайте рівновагу. Це дозволить Вам краще зберігати контроль над приладом у несподіваних ситуаціях.
- f) Вдягайте придатний одяг. Не вдягайте просторий одяг та прикраси. Не підставляйте волосся, одяг та рукавиці близько до деталей приладу, що рухаються. Просторий одяга, прикраси та довге волосся можуть попадати в деталі, що рухаються.
- g) Якщо існує можливість монтувати пиловідсмоктувальні або пилоуловлювальні пристрої, переконайтеся, щоб вони були добре під'єднані та правильно використовувалися. Використання пиловідсмоктувального пристрою може зменшити небезпеки, зумовлені пилом.

### 4) ПРАВИЛЬНЕ ПОВОДЖЕННЯ ТА КОРИСТУВАННЯ ЕЛЕКТРОПРИЛАДАМИ

- a) Не перевантажуйте прилад. Використовуйте такий прилад, що спеціально призначений для певної роботи. З придатним приладом Ви з меншим ризиком отримуєте кращі результати роботи, якщо будете працювати в зазначеному діапазоні потужності.
  - b) Не користуйтеся приладом з пошкодженим вимикачем. Прилад, який не можна увімкнути або вимкнути, є небезпечним і його треба відремонтувати.
  - c) Перед тим, як регулювати що-небудь на приладі, міняйте приладдя або ховати прилад, витягніть штепсель із розетки та/або витягніть акумуляторну батарею. Ці попереджувальні заходи з техніки безпеки зменшують ризик ненавмисного запуску приладу.
  - d) Зберігайте електроприлади, якими Ви саме не користуєтесь, далено від дітей. Не дозволяйте користуватися електроприладом особам, що не знайомі з його роботою або не читали ці вказівки. У разі застосування недосвідченими особами прилади несуть в собі небезпеку.
  - e) Старанно дотримуйтеся за приладом. Перевірте, щоб рухомі деталі приладу бездоганно працювали та не заїдали, не були поламаними або настільки пошкодженими, щоб це могло вплинути на функціонування приладу. Пошкоджені деталі треба відремонтувати в авторизованій майстерні, перш ніж ними можна знову користуватися. Велика кількість нещасних випадків спричиняється поганим доглядом за електроприладами.
  - f) Тримайте різальні інструменти добре нагостреними та в чистоті. Старанно доглянуті різальні інструменти з гострим різальним краєм менше застряють та їх легше вести.
  - g) Використовуйте електроприлади, приладдя до них, робочі інструменти т.і. відповідно до цих вказівок. Беріть до уваги при цьому умови роботи та специфіку виконуваної роботи. Використання електроприладів для робіт, для яких вони не передбачені, може призводити до небезпечних ситуацій.
- ### 5) СЕРВІС
- a) Віддавайте свій прилад на ремонт лише кваліфікованим фахівцям та лише з використанням оригінальних запчастин. Це забезпечить безпечність приладу на довгий час.

### ВКАЗІВКИ З ТЕХНІКИ БЕЗПЕКИ ДЛЯ ДИСКОВИХ ПИЛОК

#### 1) РОЗПИЛЮВАННЯ

- a) **⚠ НЕБЕЗПЕКА** : Не підставляйте руки в зону розпилювання і під пиляльний диск. Другою рукою тримайтеся за додаткову рукоятку або за корпус мотора. Якщо Ви будете обома руками триматися за пилку, Ви захистите руки від поранення.
- b) Не просовуйте руки під виріб, що розпилюється. Обмежувач не захистить Вас від леза під виробом.

- c) **Відрегулюйте глибину розпилу відповідно до товщини виробу, що розпилюється.** Зубці пили мають лише частково виглядати з-під виробу.
- d) **Ніколи не тримайте розпилювану деталь в руці або на колінах.** Зафіксуйте оброблювану деталь у стабільному кріпленні. Щоб зменшити ризик бути зачепленим, застрявання пиляльного диска або втрати контролю над ним, важливо, щоб оброблювана деталь була добре закріплена.
- e) **При роботах, ноли робочий інструмент може зачепити заховану електропроводку або власний шнур живлення, тримайте електроприлад за ізольовані рукоятки.** Зачеплення електропроводки заряджує металеві частини електроприладу і призводить до удару електричним струмом.
- f) **Під час поздовжнього розпилювання завжди використовуйте спрямовуючу планку або спрямовувач країв.** Це покращує точність розрізу та зменшує вірогідність заїдання леза.
- g) **Завжди використовуйте лише пиляльні диски правильного розміру і з відповідною формою посадочного отвору (напр., зірчастої або круглої форми).** Пиляльні диски, що не пасують до монтажних деталей пилки, обертаються нерівно і призводять до втрати контролю.
- h) **Ніколи не використовуйте ушкоджені або невідповідні шайби або болти, що тримають лезо.** Шайби, що тримають лезо, та болт були спеціально розроблені у відповідності до Вашої пили для забезпечення оптимальної ефективності та безпеки її експлуатації.
- 2) ВІДДАЧА - ПРИЧИНИ ТА ВІДПОВІДНІ ВКАЗІВКИ**
- Віддача - це неочікувана реакція на защемлення, заїдання або неправильне центрування леза пили, що викликає неконтрольованих рух пили вгору від виробу, що розпилюється, та в напрямку оператора
  - Коли лезо защемлене або міцно застрягло у розрізі деревини, воно перестає обертатись, тож мотор спричиняє швидкий рух інструмента назад в напрямку оператора
  - Якщо лезо зігнулося в розрізі або погано відцентроване, зубці в задній частині пили можуть глибоко входити в поверхню деревини, в результаті чого лезо виходить з розрізу та відлітає назад в напрямку оператора
  - Віддача є результатом некоректного або нецільового використання інструмента або обставин, яких можливо уникнути, якщо вжити відповідних заходів безпеки, як вказано далі
- a) **Обома руками міцно тримайте пилу, прикладаючи зусилля для запобігання віддачі. Стійте збоку від стола, а не на одній лінії з лезом.** В результаті віддачі пила може стрибнути назад, але оператор може контролювати силу віддачі за умови вживання відповідних заходів безпеки.
- b) **Якщо лезо застрягло, або якщо розпилювання було зупинено з якоїсь причини, відпустіть тригер та залиште нерухому пилу в матеріалі до повної зупинки леза. Ніколи не намагайтеся забрати пилу від виробу або витягти її назад, якщо лезо ще рухається, або можлива віддача.**

- Перевірте виріб, що розпилюється, та усуньте причину заїдання леза. Запобігайте розпилюванню цвяхів або гвинтів.
- c) **При повторному встановленні пили на виріб відцентруйте лезо пили в розрізі та впевніться, що зубці пили не застрягли в матеріалі.** Якщо лезо застрягло, під час увімкнення пили воно може рухатись вгору або викликати віддачу.
- d) **Забезпечте додаткову опору великих панелей, що мінімізувати ризик того, що лезо застрягне та викликає віддачу.** Великі панелі можуть прогинатися під власною вагою, тож під панелі з обох боків біля лінії розрізу та біля краю панелі треба поставити опори.
- e) **Не використовуйте путі або ушкоджені леза.** Не заточені або неправильно встановлені леза утворюють вузький розріз та викликають надмірне тертя, спричиняючи заїдання леза та віддачу.
- f) **Затисні важелі регулювання глибини та нахилу леза мають бути добре та безпечно затягнені, перш ніж приступати до розпилу.** Якщо під час розпилювання настройки леза змінюються, це може викликати заїдання леза та віддачу.
- g) **Будьте особливо обережні при розпилюванні в стінах або в інших місцях, в які Ви не можете зазирнути.** При розпилюванні в прихованих об'єктах занурений пиляльний диск може заблокуватися і спричинити рикошет.
- 3) ФУНКЦІЯ НИЖНЬОГО ОБМЕЖУВАЧА**
- a) **Перед кожним використанням перевірте, чи добре закривається нижній обмежувач. Не використовуйте пилу, якщо нижній обмежувач не пересувається вільно та не закривається негайно. Ніколи не фіксуйте нижній обмежувач у відкритому положенні.** В разі випадкового падіння пили нижній обмежувач може погнутись. Вийняти вилку з розетки, підніміть нижній обмежувач за допомогою ручки, що відводиться назад, та впевніться, що він вільно рухається, не чіпаючи леза або будь-якої іншої частини інструменту, під всіма кутами та на будь-яку глибину розрізу.
- b) **Перевірте функціонування пружини нижнього обмежувача. В разі некоректного функціонування обмежувача та пружини перед їх використанням треба провести їх технічне обслуговування.** Нижній обмежувач може працювати надто повільно внаслідок пошкодження якихось деталей, утворення клейкого нальоту або засмічення.
- c) **Нижній обмежувач може втягуватись вручну тільки для виконання особливих розрізів, таких як врізання та складні розрізи. Підніміть нижній обмежувач, відтягнувши ручку, та щойно лезо увійде в матеріал, відпустіть нижній обмежувач.** В усій інших випадках розпилювання нижній обмежувач має функціонувати в автоматичному режимі.
- d) **Кожного разу, перш ніж поставити пилу на верстат або підлогу, перевіряйте, чи покриває нижній обмежувач лезо.** Незахищене лезо, що рухається за інерцією, викликає зворотній рух пили, що розпилюватиме все на своєму шляху. Зважайте

на час, необхідний для повної зупинки леза після того, як вимикач було відпущено.

## ДОДАТКОВІ ВНАЗІВКИ З ТЕХНІКИ БЕЗПЕКИ

### ЗАГАЛЬНЕ

- Цей інструмент не можна використовувати особам віком до 16 років
- Цей інструмент не підходить для мокрого розпилювання
- Перед регулюванням або заміною приладдя обов'язково вийміть вилку із сітьової розетки**
- Ніколи не використовуйте інструмент з пошкодженим шнуром; його повинен замінити кваліфікований фахівець
- Не обробляйте матеріали, що містять асбест** (асбест вважається канцерогенним)
- Пил від таких матеріалів, як свинцовоутримуюча фарба, деякі породи дерева, мінерали й метал, може бути шкідливим (контакт із таким пилом або його вдихання може стати причиною виникнення в оператора або осіб, що перебувають поруч, алергійних реакцій і/або респіраторних захворювань); **надягайте респіратор і працюйте з пиловидальючим пристроєм під час увімкнення інструмента**
- Деякі види пилу класифікуються як канцерогенні (наприклад, дубовий або буковий пил), особливо в сполученні з добавками для кондиціювання деревини; **надягайте респіратор і працюйте з пиловидальючим пристроєм під час увімкнення інструмента**
- Слідуйте інструкціям по роботі з матеріалами, продуцуючими пил
- Використовуйте тільки розпилювальний стіл, який оснащено вимикачем, що запобігає увімкненню мотора після переривання в електропостачанні
- Використовуйте тільки розпилювальний стіл, який оснащено спрямовувачем пропилу

### НАСАДНИ

- SKIL гарантує надійну роботу інструмента тільки при використанні відповідного приладдя
- Використовуйте лише приладдя, припустима швидкість обертання якого як мінімум відповідає найвищій швидкості інструмента без навантаження
- Використовуйте леза пили діаметром від 170 до 170 мм та отвором шпінделя діаметром 16 мм**
- Ніколи не використовуйте леза, виготовлені з швидкокорозійної сталі (HSS)
- Ніколи не використовуйте в цьому інструменті шліфувальні / ріжучі диски

### ПЕРЕД ВИКОРИСТАННЯМ

- Перед роботою перевірте відповідність струму в мережі із струмом, позначені на інструменті (інструменти, розраховані на 230В або 240В, також можуть підключатися до мережі 220В)
- Не допускайте пошкоджень, які можуть нанести шурупи, цвяхи і інші елементи вашому виробу; видаліть їх перед початком роботи
- Перш ніж почати розпилювання, видаліть всі перешкоди на поверхні та під лінією розпилю
- Зафіксуйте оброблювану деталь** (оброблювана деталь, зафіксована за допомогою затискних

пристроїв або лежат, закріплюється краще, ніж вручну)

- Використовуйте придатні пошукові прилади для знаходження захованих в будівлі труб та кабелів або зверніться за допомогою в місцеве підприємство електро-, газо- та водопостачання** (зачеплення електропроводки може призводити до пожежі та удару електричним струмом; зачеплення газової труби може призводити до вибуху; зачеплення водопроводної труби може завдати шкоду матеріальним цінностям або призводити до удару електричним струмом)
- Використовуйте повністю розгорнений шнур подовжувача, який може витримувати навантаження в 16 Ампер

### ПІД ЧАС ВИКОРИСТАННЯ

- Рівень шуму при роботі може перевищувати 85 дБ(а); використовуйте навушники
- Ніколи не використовуйте цей інструмент без оригінальної системи захисних обмежувачів
- Не намагайтеся розрізати дуже маленькі вироби
- При розпилюванні не тримайте пилу над головою
- У випадку електричної чи механічної несправності негайно вимкніть інструмент та вийміть вилку з розетки
- Якщо шнур пошкоджений або прорізаний при роботі, не доторкайтеся до нього і негайно витягніть його з розетки

### ПІСЛЯ ВИКОРИСТАННЯ

- Коли ви закінчили роботу з інструментом, вимкніть мотор і переконайтеся, що всі рухомі частини повністю зупинилися
- Після вимкнення дискової пили ніколи не намагайтеся зупинити обертання його леза, застосовуючи до нього бокові зусилля

## ВИКОРИСТАННЯ

- Підготовка леза пилки ③
  - ! вийняти вилку з розетки**
  - візьміть шестигранний ключ А з контейнера В
  - натисніть кнопку блокування шпінделя С та утримуйте її, поки вийматимете болт леза D за допомогою відповідного шестигранний ключа
  - ! натисніть кнопку блокування шпінделя С, тільки коли жодний елемент інструмента не рухається**
  - відпустіть кнопку блокування шпінделя С
  - видаліть фланець Е
  - відкрийте нижній обмежувач F за допомогою важеля G та утримуйте його, поки Ви монтуєте лезо пили, встановлюючи його таким чином, щоб зубці пилки та стрілка на лезі вказували в тому ж напрямку, що й стрілка на верхньому обмежувачі
  - відпустіть нижній обмежувач F
  - встановіть фланець Е
  - ! переконайтеся, що встановлювальні поверхні H фланців ідеально чисті та „дивляться” на лезо**
  - натисніть кнопку блокування шпінделя С та утримуйте її, поки не затягнете болт леза шестигранний ключем на 1/8 оберту після того, як доведеться докласти ручного зусилля

- (забезпечте проковзування леза пили, коли воно стикається з надмірним опором, що забезпечує зменшення перевантаження мотора та віддачі пили)
- відпустіть кнопку блокування шпинделя C
  - Регулювання глибини розпилу (0-55 мм) ④
    - для отримання оптимальної якості розпилювання лезо пили не повинно виглядати з-під виробу, що розпилюється, більше, ніж на 3 мм
    - відпустіть ручку J
    - підніміть/опустіть притиску пластину K до встановлення необхідної глибини розрізу на шкалі за допомогою індикатора L
    - затягніть ручку J
  - Регулювання кута розпилу (0-45°) ⑤
    - відпустіть ручку M
    - нахиліть інструмент до отримання необхідного кута розрізу, що встановлюється на шкалі за допомогою індикатора N
    - затягніть ручку M
    - ! **під час фацетування глибина розрізу не відповідає значенню глибини розрізу, що встановлене на шкалі**
  - Перевірка кута розпилу в 90° ⑤
    - відрегулюйте та затягніть притиску пластину K, встановивши максимальну глибину розрізу ④
    - відрегулюйте та зафіксуйте кут розрізу 0°
    - перевірте наявність 90° кута між лезом та основою притисної пластини за допомогою косинця
    - якщо потребується регулювання, послабте ручку M та використовуйте регулювальний гвинт P як показано на малюнку
  - Регульований вказівник лінії пропилю Q ⑥a
    - для спрямування інструменту поздовж необхідній лінії розрізу, яка накреслена на виробі
    - для прямого розрізання під кутом 0° або фацетування використовуйте відповідну лінію індикатора
    - ! **широка частина притисної пластини має спиратися на частину виробу, що міститься на опорі**
    - може бути відрегульовано так, що дозволить Вам вибрати один з двох способів прямування лінії пропилю з внутрішньої чи зовнішньої сторони леза ⑥b
    - ! **ширина розрізу визначається шириною зубців пили, а не шириною самого полотна пили**
    - ! **завжди спочатку робіть пробні розпили, щоб перевірити лінію пропилю**
  - Пилоловлювання
    - під'єднайте пиросос до подовжувача R ⑦
    - ! **не дозволяйте шлангу пирососа заважати функціонуванню нижнього обмежувача або розпилюванню**
    - можна також використовувати пакет для збору пилу (аксесуар SKIL 2610387402)
    - ! **не використовуйте мішон/пиросос при різанні металу**
  - Використання інструменту ⑦
    - під'єднайте штепсельну вилку до мережі електроживлення
    - завжди міцно тримайте однією рукою ручку S, а іншою рукою – ручку T
    - поставте інструмент передньою частиною притисної пластини на виріб, що розпилюється
    - ! **переконайтеся, що зубці пили не застрягли в виробі**
    - увімкніть інструмент, спочатку натиснувши ручку V (= аварійний вимикач, який не можна вимкнути), а потім потягнувши за тригер W
    - ! **перш, ніж лезо пили торкнеться виробу, інструмент має працювати на повну швидкість**
    - нижній обмежувач F відкривається автоматично, коли лезо пили торкається виробу (тільки в разі виконання особливого розрізу, такого як врізання, можна відкрити нижній обмежувач вручну за допомогою важеля G)
    - ! **використовуючи інструмент, не докладайте надмірного зусилля** (зусилля має бути помірним та постійним, щоб запобігти перегріванню вістря леза та, якщо розрізаються пластикові деталі, плавленню пластика)
    - ! **під час роботи, завжди тримайте інструмент за частини захвату сірого кольору**
    - виконавши розпил, вимкніть інструмент, відпустивши тригер W
    - ! **перед видаленням інструменту з оброблюваної поверхні переконайтеся, що пила остаточно зупинилась**

## ПОРАДИ ПО ВИКОРИСТАННЮ

- Під час використання напрямної рейки (допоміжне пристосування SKIL 2610Z04064) разом з адаптером глибина пропилю зменшується на 14 мм для 90° та 45°
  - Завжди розташовуйте виріб лицьовою стороною донизу, щоб забезпечити мінімальний ризик розколювання
  - Використовуйте лише гострі леза пили відповідного типу ⑧
    - якість розпилювання покращується зі збільшенням кількості зубів леза
    - твердосплавні леза залишаються гострими у 30 разів довше, ніж звичайні леза
  - Направляюча планка Y ⑨
    - для точного розпилювання виробу по всій його довжині
    - може бути встановлена з обох боків притисної пластини
- Встановлювання направляючої планки
- послабте ручку Z
  - використовуючи шкалу направляючої планки, встановіть необхідну ширину розпилу (використовуйте вказівник лінії пропилю Q як основу для рівного пропилю)
  - затягніть ручку Z
- Врізання ⑩
    - встановіть необхідну глибину врізання
    - нахиліть інструмент уперед таким чином, щоб вказівник лінії пропилю Q співпадала з лінією необхідного розрізу, яка відзначена на робочому матеріалі



- відкрийте нижній обмежувач F за допомогою важеля G
- перш ніж лезо торкнеться виробу, увімкніть інструмент та поступово опускайте задню частину інструмента, використовуючи передню частину притискової пластини як точку шарніра
- поступово переміщуйте інструмент донизу та вперед
- як тільки лезо торкнеться матеріалу, відпустіть важіль G

**! ніколи не відтягуйте інструмент назад**

- Розрізання великих панелей (11)
  - забезпечте опору панелі, яка має бути розташована біля лінії розрізу та спиратися на підлогу, на стіл або на верстат
- ! встановіть глибину розрізу таким чином, щоб розрізати панель, а не опору**
- якщо направляюча планка не дозволяє виконати розріз потрібної ширини, прикріпіть або прибийте цвяхами до виробу пряму дерев'яну планку в якості спрямовувача, та притискайте до неї правий бік притискової пластини

## ДОГЛЯД/ОБСЛУГОВУВАННЯ

- Цей інструмент не придатний для промислового використання
- Завжди тримайте інструмент та його шнур у чистоті (особливо вентиляційні отвори)
  - ! перед чисткою інструменту необхідно роз'єднати штепсельний роз'єм**
- Тримайте область навколо нижнього обмежувача F (12) в чистоті (видаляйте пил та стружки за допомогою стисненого повітря або щітки)
- Прочистіть лезо пили негайно після використання (особливо від залишків резини та клею)
- Якщо незважаючи на ретельну технологію виготовлення і перевірки інструмент все-таки вийде з ладу, його ремонт дозволяється виконувати лише в авторизованій сервісній майстерні для електроприладів SKIL
  - надішліть **нерозібраний** інструмент разом з доказом купівлі до Вашого дилера або до найближчого центру обслуговування SKIL (адреси, а також діаграма обслуговування пристрою, подаються на сайті [www.skil.com](http://www.skil.com))

## ОХОРОНА НАВКОЛИШНЬОЇ СЕРЕДИ

- **Не викидайте електроінструмент, приналежності та упаковку разом зі звичайним сміттям** (тільки для країн ЄС)
  - відповідно до європейської директиви 2012/19/ЄС щодо утилізації старих електричних та електронних приладів, в залежності з місцевим законодавством, електроінструмент, який перебував в експлуатації повинен бути утилізований окремо, безпечним для навколишнього середовища шляхом
  - малюнок (12) нагадає вам про це

## ДЕКЛАРАЦІЯ ПРО ВІДПОВІДНІСТЬ СТАНДАРТАМ СЕ

### Дискова пила 5665/5765

#### Технічні дані (1)

- Ми заявляємо під нашу виключну відповідальність, що описаний в "Технічні дані" продукт відповідає таким нормам або нормативним документам: EN 60745, EN 61000, EN 55014 у відповідності до положень директив 2014/30/ЄС, 2006/42/ЄГ, 2011/65/ЄС
- **Технічні документи в:** SKIL Europe BV (PT-SEU/ENG1), 4825 BD Breda, NL

Marijn van der Hoofden  
Operations & Engineering

Olaf Dijkgraaf  
Approval Manager

SKIL Europe BV, 4825 BD Breda, NL

16.10.2014

## ШУМ/ВІБРАЦІЯ

- Зміряний відповідно до EN 60745 рівень тиску звуку даного інструменту 97 дБ(A) і потужність звуку 108 дБ(A) (стандартне відхилення: 3 дБ), і вібрація \* м/с<sup>2</sup> (векторна сума трьох напрямків; похибка K = 1,5 м/с<sup>2</sup>)
  - \* при різанні деревини 2,6 м/с<sup>2</sup>
  - \* при різанні металу 2,2 м/с<sup>2</sup>
- Рівень вібрації було виміряно у відповідності зі стандартизованим випробуванням, що міститься в EN 60745; дана характеристика може використовуватися для порівняння одного інструмента з іншими, а також для попередньої оцінки впливу вібрації під час застосування даного інструмента для вказаних цілей
  - при використанні інструмента в інших цілях або з іншими/несправними допоміжними пристосуваннями рівень впливу вібрації може значно **підвищуватися**
  - у періоди, коли інструмент вимкнений або функціонує без фактичного виконання роботи, рівень впливу вібрації може значно **знижуватися**
- ! захищайте себе від впливу вібрації, підтримуючи інструмент і його допоміжні пристосування в справному стані, підтримуючи руки в теплі, а також правильно організовуючи свій робочий процес**

GR

Δίσκοπρίονο

5665/5765

ΕΙΣΑΓΩΓΗ

- Το εργαλείο προορίζεται για τη διεξαγωγή επίμηκων και εγκάρσιων τομών σε ξύλο με ευθεία διαδρομή ή με διαδρομή υπό γωνία έως 45° - αε τις καταλληλές προιονόλαμες μπορούν να προιονιστούν και μη πολυτίμα μέταλλα εκτός σιδήρου, ελαφρά δομικά υλικά καθώς και πλαστικά

- Αυτό το εργαλείο δεν προορίζεται για επαγγελματική χρήση
- Διαβάστε και φυλάξτε αυτές τις οδηγίες χρήσεως ②

## ΤΕΧΝΙΚΑ ΧΑΡΑΚΤΗΡΙΣΤΙΚΑ ①

### ΑΣΦΑΛΕΙΑ

#### ΓΕΝΙΚΕΣ ΥΠΟΔΕΙΞΕΙΣ ΑΣΦΑΛΕΙΑΣ

**⚠ ΠΡΟΕΙΔΟΠΟΙΗΣΗ!** Διαβάστε όλες τις προειδοποιητικές υποδείξεις. Αμέλειες κατά την τήρηση των προειδοποιητικών υποδείξεων μπορεί να προκαλέσουν ηλεκτροπληξία, κίνδυνο πυρκαγιάς ή/και σοβαρούς τραυματισμούς. **Φυλάξτε όλες τις προειδοποιητικές υποδείξεις και οδηγίες για κάθε μελλοντική χρήση.** Ο ορισμός "ηλεκτρικό εργαλείο" που χρησιμοποιείται στις προειδοποιητικές υποδείξεις αναφέρεται σε ηλεκτρικά εργαλεία που τροφοδοτούνται από το ηλεκτρικό δίκτυο (με ηλεκτρικό καλώδιο) καθώς και σε ηλεκτρικά εργαλεία που τροφοδοτούνται από μπαταρία (χωρίς ηλεκτρικό καλώδιο).

#### 1) ΑΣΦΑΛΕΙΑ ΣΤΟ ΧΩΡΟ ΕΡΓΑΣΙΑΣ

- Διατηρείτε το χώρο που εργάζεσθε καθαρό και καλά φωτισμένο.** Αταξία στο χώρο που εργάζεσθε ή μη φωτισμένες περιοχές εργασίας μπορεί να οδηγήσουν σε ατυχήματα.
- Μην εργάζεσθε με το ηλεκτρικό εργαλείο σε περιβάλλον που υπάρχει κίνδυνος έκρηξης, στο οποίο υπάρχουν εύφλεκτα υγρά, αέρια ή σκόνη.** Τα ηλεκτρικά εργαλεία μπορεί να δημιουργήσουν σπινθηρισμό ο οποίος μπορεί να αναφλέξει τη σκόνη ή τις αναθυμιάσεις.
- Όταν χρησιμοποιείτε το ηλεκτρικό εργαλείο κρατάτε τα παιδιά και άλλα τυχόν πρόσωπα μακριά από το χώρο που εργάζεσθε.** Σε περίπτωση που άλλα άτομα αποσπάσουν την προσοχή σας μπορεί να χάσετε τον έλεγχο του μηχανήματος.

#### 2) ΗΛΕΚΤΡΙΚΗ ΑΣΦΑΛΕΙΑ

- Το φως του καλωδίου του ηλεκτρικού εργαλείου πρέπει να ταιριάζει στην αντίστοιχη πρίζα. Δεν επιτρέπεται με κανένα τρόπο η μετασκευή του φως.** Μη χρησιμοποιείτε προσαρμοστικά φως σε συνδυασμό με ηλεκτρικά εργαλεία συνδεδεμένα με τη γη (γειωμένα). Αθικά φως και κατάλληλες πρίζες μειώνουν τον κίνδυνο ηλεκτροπληξίας.
- Αποφεύγετε την επαφή του σώματος σας με γειωμένες επιφάνειες όπως σωλήνες, θερμαντικά σώματα (καλοριφέρ), κουζίνες και ψυγεία.** Όταν το σώμα σας είναι γειωμένο αυξάνεται ο κίνδυνος ηλεκτροπληξίας.
- Μην εκθέτετε το ηλεκτρικό εργαλείο στη βροχή ή την υγρασία.** Η διείσδυση νερού στο ηλεκτρικό εργαλείο αυξάνει τον κίνδυνο ηλεκτροπληξίας.
- Μη χρησιμοποιείτε το καλώδιο για να μεταφέρετε ή ν' αναρτήσετε το ηλεκτρικό εργαλείο ή για να βγάλετε το φως από την πρίζα. Κρατάτε το καλώδιο μακριά από υψηλές θερμοκρασίες, λάδια, κοφτερές ακμές ή κινούμενα εξαρτήματα.** Τυχόν χαλασμένα ή μπερδεμένα καλώδια αυξάνουν τον κίνδυνο ηλεκτροπληξίας.

- Όταν εργάζεσθε με το ηλεκτρικό εργαλείο στο ύπαιθρο χρησιμοποιείτε πάντοτε καλώδια επιμήκυνσης (μπαλαντάζες) που έχουν εγκριθεί για χρήση σε εξωτερικούς χώρους.** Η χρήση καλωδίων επιμήκυνσης εγκριμένων για εργασία σε εξωτερικούς χώρους μειώνει τον κίνδυνο ηλεκτροπληξίας.
  - Όταν η χρήση του ηλεκτρικού εργαλείου σε υγρό περιβάλλον είναι αναπόφευκτη, τότε χρησιμοποιήστε έναν προστατευτικό διακόπτη διαρροής.** Η χρήση ενός προστατευτικού διακόπτη διαρροής ελαττώνει τον κίνδυνο ηλεκτροπληξίας.
- #### 3) ΑΣΦΑΛΕΙΑ ΠΡΟΣΩΠΩΝ
- Να είσθε πάντοτε προσεκτικός/προσεκτική, να δίνετε προσοχή στην εργασία που κάνετε και να χειρίζεσθε το ηλεκτρικό εργαλείο με περίσκεψη. Μην κάνετε χρήση του ηλεκτρικού εργαλείου όταν είσθε κουρασμένος/κουρασμένη ή όταν βρισκόσθε υπό την επιρροή ναρκωτικών, οινοπνεύματος ή φαρμάκων.** Μια στιγμιαία απροσεξία κατά το χειρισμό του ηλεκτρικού εργαλείου μπορεί να οδηγήσει σε σοβαρούς τραυματισμούς.
  - Φοράτε προστατευτικά ενδύματα και πάντοτε προστατευτικά γυαλιά.** Όταν φοράτε ενδύματα ασφαλείας, ανάλογα με το υπό χρήση ηλεκτρικό εργαλείο, όπως προσωπίδα προστασίας από σκόνη, αντιολισθητικά παπούτσια ασφαλείας, κράνη ή waistpιδες, μειώνεται ο κίνδυνος τραυματισμών.
  - Αποφεύγετε την αθέλητη εκκίνηση. Βεβαιωθείτε ότι το ηλεκτρικό εργαλείο έχει αποσυνδεθεί πριν το συνδέσετε με το ηλεκτρικό δίκτυο ή/και με την μπαταρία καθώς και πριν το παραλάβετε ή το μεταφέρετε.** Όταν μεταφέρετε το ηλεκτρικό εργαλείο έχοντας το δάχτυλό σας στο διακόπτη ή όταν συνδέσετε το μηχάνημα με την πηγή ρεύματος όταν αυτό είναι ακόμη συζευγμένο, τότε δημιουργείται κίνδυνος τραυματισμών.
  - Αφαιρείτε από τα ηλεκτρικά εργαλεία πριν τα θέσετε σε λειτουργία τυχόν συναρμολογημένα χρησιμοποιήσιμα εργαλεία ή κλειδιά.** Ένα εργαλείο ή κλειδί συναρμολογημένο στο περιστρεφόμενο εξάρτημα ενός ηλεκτρικού εργαλείου μπορεί να οδηγήσει σε τραυματισμούς.
  - Μην υπερκτιμάτε τον εαυτό σας. Φροντίζετε για την ασφαλή στήριξη του σώματος σας και διατηρείτε πάντοτε την ισορροπία σας.** Αυτό σας επιτρέπει τον καλύτερο έλεγχο το ηλεκτρικού εργαλείου σε περιπτώσεις απροσδόκητων καταστάσεων.
  - Φοράτε κατάλληλη ενδυμασία εργασίας. Μη φοράτε φαρδιά ενδύματα ή κοσμήματα. Κρατάτε τα μαλλιά σας, τα ενδύματα σας και τα γάντια σας μακριά από τα κινούμενα εξαρτήματα.** Χαλαρή ενδυμασία, κοσμήματα και μακριά μαλλιά μπορεί να εμπλακούν στα κινούμενα εξαρτήματα.
  - Αν υπάρχει η δυνατότητα συναρμολόγησης διατάξεων αναρόφησης ή συλλογής σκόνης, βεβαιωθείτε αν οι διατάξεις αυτές είναι συνδεδεμένες καθώς κι αν χρησιμοποιούνται σωστά.** Η χρήση μιας αναρόφησης σκόνης μπορεί να ελαττώσει τον κίνδυνο που προκαλείται από τη σκόνη.

#### 4) ΧΡΗΣΗ ΚΙ ΕΠΙΜΕΛΗΣ ΧΕΙΡΙΣΜΟΣ ΤΩΝ ΗΛΕΚΤΡΙΚΩΝ ΕΡΓΑΛΕΙΩΝ

- a) Μην υπερφορτώνετε το ηλεκτρικό εργαλείο. Χρησιμοποιείτε για την εκάστοτε εργασία σας το ηλεκτρικό εργαλείο που προορίζεται γι' αυτήν. Με το κατάλληλο ηλεκτρικό εργαλείο εργάζεσθε καλύτερα και ασφαλέστερα στην αναφερόμενη περιοχή ισχύος.
- b) Μη χρησιμοποιήσετε ποτέ ένα ηλεκτρικό εργαλείο του οποίου ο διακόπτης ON/OFF είναι χαλασμένος. Ένα ηλεκτρικό εργαλείο το οποίο δεν μπορεί να τεθεί πλέον σε ή εκτός λειτουργίας είναι επικίνδυνο και πρέπει να επισκευαστεί.
- c) Βγάzte το φως από την πρίζα και/ή αφαιρέστε την μπαταρία πριν διεξάγετε στο εργαλείο μια οποιαδήποτε εργασία ρύθμισης, πριν αλλάξετε ένα εξάρτημα ή όταν πρόκειται να διαφυλάξετε/ να αποθηκεύσετε το εργαλείο. Αυτά τα προληπτικά μέτρα ασφαλείας μειώνουν τον κίνδυνο από τυχόν αθέλητη εκκίνηση του ηλεκτρικού εργαλείου.
- d) Διαφυλάγετε τα ηλεκτρικά εργαλεία που δε χρησιμοποιείτε μακριά από παιδιά. Μην αφήνετε άτομα που δεν είναι εξοικειωμένα με το ηλεκτρικό εργαλείο ή δεν έχουν διαβάσει αυτές τις οδηγίες χρήσης να το χρησιμοποιήσουν. Τα ηλεκτρικά εργαλεία είναι επικίνδυνα όταν χρησιμοποιούνται από άπειρα πρόσωπα.
- e) Να περιποιήστε προσεκτικά το ηλεκτρικό σας εργαλείο και να ελέγχετε, αν τα κινούμενα τμήματα του λειτουργούν άψογα και δεν μπλοκάρουν, ή μήπως έχουν χαλάσει ή σπάσει εξαρτήματα, τα οποία επηρεάζουν έτσι αρνητικά τον τρόπο λειτουργίας του ηλεκτρικού εργαλείου. Δώστε τυχόν χαλασμένα εξαρτήματα του ηλεκτρικού εργαλείου για επισκευή πριν το χρησιμοποιήσετε πάλι. Η ανεπαρκής συντήρηση των ηλεκτρικών εργαλείων αποτελεί αιτία πολλών ατυχημάτων.
- f) Διατηρείτε τα κοπτικά εργαλεία κοφτερά και καθαρά. Τα κοπτικά εργαλεία που συντηρούνται με προσοχή μπορούν να οδηγηθούν εύκολα και να ελεγχθούν καλύτερα.
- g) Χρησιμοποιείτε τα ηλεκτρικά εργαλεία, τα εξαρτήματα, τα χρησιμοποιήσιμα εργαλεία κτλ. σύμφωνα με τις παρούσες οδηγίες καθώς. Λαμβάνετε ταυτόχρονα υπόψη σας τις συνθήκες εργασίας και την υπό εκτέλεση εργασία. Η χρήση του ηλεκτρικού εργαλείου για άλλες εκτός από τις προβλεπόμενες εργασίες μπορεί να δημιουργήσει επικίνδυνες καταστάσεις.

#### 5) SERVICE

- a) Δίνετε το ηλεκτρικό σας εργαλείο για επισκευή από άριστα ειδικευμένο προσωπικό, μόνο με γνήσια ανταλλακτικά. Ετσι εξασφαλίζεται η διατήρηση της ασφάλειας του ηλεκτρικού εργαλείου.

#### ΥΠΟΔΕΙΞΙΣ ΑΣΦΑΛΕΙΑΣ ΓΙΑ ΔΙΣΚΟΠΡΙΟΝΑ

##### 1) ΔΙΑΔΙΚΑΣΙΑ ΚΟΠΗΣ

- a) **ΚΙΝΔΥΝΟΣ** : Μη βάλετε τα χέρια σας στον τομέα πριονίσματος και στον πριονόδισκο. Κρατάτε με το δεύτερο (το άλλο) χέρι σας την πρόσθετη λαβή ή το περιβλήμα του κινητήρα.

- Όταν κρατάτε το πριόνι και με τα δυο σας χέρια τότε το πριόνι δεν μπορεί να σας τραυματίσει.
  - b) **Μην βάζετε τα χέρια σας κάτω από το κομμάτι εργασίας.** Ο προφυλακτήρας δεν μπορεί να σας προστατέψει από τον δίσκο κάτω από το κομμάτι εργασίας.
  - c) **Προσαρμότε το βάθος κοπής ανάλογα με το πάχος του ξύλου κοπής.** Να είναι ορατή κάτω από το ξύλο κοπής μία πλήρης οδόντωση του πριονόδισκου κοπής.
  - d) **Να μην κρατάτε ποτέ το υπό κοπή τεμάχιο με το χέρι και να μην το ακουμπάτε επάνω στα σκέλη σας. Να ασφαλίσετε το υπό κατεργασία τεμάχιο επάνω σε μια στερεή επιφάνεια.** Η καλή στερέωση του υπό κατεργασία τεμαχίου είναι σημαντική επειδή έτσι περιορίζετε στο ελάχιστο τον κίνδυνο της επαφής του με το σώμα σας, του σφηνώματος του πριονόδισκου ή της απώλειας του ελέγχου.
  - e) **Να πιάνετε το ηλεκτρικό εργαλείο μόνο από τις προβλεπόμενες γι' αυτό το σκοπό μονωμένες επιφανείες του, όταν εκτελείτε εργασίες στις οποίες υπάρχει κίνδυνος το εργαλείο που χρησιμοποιείτε να συναντήσει ηλεκτροφόρους αγωγούς ή το δικό του ηλεκτρικό καλώδιο.** Η επαφή μ' ένα ηλεκτροφόρο αγωγό θέτει τα μεταλλικά τμήματα του ηλεκτρικού εργαλείου επίσης υπό τάση και οδηγεί έτσι σε ηλεκτροπληξία.
  - f) **Χρησιμοποιείτε πάντα τον οδηγό παράλληλης κοπής ή τον οδηγό ευθείας γωνίας όταν πραγματοποιείτε παράλληλες κοπές.** Ετσι αυξάνεται η ακρίβεια κοπής και μειώνεται η πιθανότητα σφηνώματος του δίσκου.
  - g) **Να χρησιμοποιείτε πάντοτε πριονόδισκους με το σωστό μέγεθος που ταιριάζουν στη μορφή της φλάντζας υποδοχής (π.χ. αστεροειδής ή στρογγυλή).** Πριονόδισκοι που δεν ταιριάζουν με τα εξαρτήματα συναρμολόγησης του πριονιού περιστρέφονται ελλειπτικά και οδηγούν σε απώλεια του ελέγχου.
  - h) **Ποτέ μη χρησιμοποιείτε ροδέλες ή κοχλίες του δίσκου οι οποίοι παρουνιάζουν βλάβη ή δεν είναι κατάλληλοι.** Οι ροδέλες και οι κοχλίες του δίσκου έχουν σχεδιαστεί ειδικά για το δισκοπριόνό σας, για την καλύτερη δυνατή απόδοση και ασφάλεια λειτουργίας.
- #### 2) ΚΛΩΤΣΗΜΑ - ΑΙΤΙΕΣ ΚΑΙ ΣΧΕΤΙΚΕΣ ΥΠΟΔΕΙΞΙΣ
- Το "κλώτσημα" είναι μια απότομη αντίδραση προκαλούμενη από έναν σφηνωμένο, μπλοκαρισμένο ή μη ευθυγραμμισμένο δίσκο, που έχει ως αποτέλεσμα το δισκοπριόνιο να μην βρίσκεται πια υπό τον έλεγχο του χειριστή και να εκσφενδονίζεται προς τα επάνω, έξω από το κομμάτι εργασίας και προς το μέρος του χειριστή
  - Όταν ο δίσκος έχει σφηνώσει ή μαγκώσει σφισχτά στον αρμό κοπής, ο δίσκος μπλοκάρει και η κίνηση της μηχανής σπρώχνει το εργαλείο με μεγάλη ταχύτητα προς το μέρος του χειριστή
  - Σε περίπτωση που ο δίσκος παραμορφωθεί ή δεν είναι σωστά ευθυγραμμισμένος στην εγκοπή, τα δόντια στο πίσω άκρο του δίσκου ενδέχεται να αρπάξουν την επάνω επιφάνεια του ξύλου με αποτέλεσμα ο δίσκος να βγει από τον αρμό κοπής και να πεταχτεί προς το μέρος του χειριστή

- Το κλώτσημα είναι το αποτέλεσμα της λανθασμένης χρήσης του εργαλείου και/ή λανθασμένων διαδικασιών ή συνθηκών χειρισμού, και μπορεί να αποφευχθεί με τη λήψη των παρακάτω προληπτικών μέτρων

- Κρατάτε το δισκοπρίονο σφιχτά με τα δυο σας χέρια και τοποθετήστε τα βραχίονα σας σταθερά ώστε να μπορείτε να αντισταθείτε στις δυνάμεις ενός ενδεχόμενου κλωστήματος του δισκοπρίονου. Τοποθετήστε το σωμα σας σε μία από τις δύο πλευρές του δίσκου, αλλά όχι στη ευθεία του δίσκου.** Αν “κλωτήσετε” το δισκοπρίονο μπορεί να πεταχτεί προς τα πίσω, αλλά ο χειριστής μπορεί να ελέγξει τις δυνάμεις ενός ενδεχόμενου κλωστήματος, αν λάβει τα κατάλληλα προληπτικά μέτρα.
- Όταν ο δίσκος μαγκώνει, ή όταν διακόπτεται η κοπή για οποιονδήποτε λόγο, αφήστε τη σκανδάλη και κρατήστε το δισκοπρίονο ακίνητο στο υλικό μέχρι να σταματήσει τελείως ο δίσκος. Ποτέ μην επιχειρείτε να απομακρύνετε το δισκοπρίονο από το κομμάτι εργασίας ή να τραβήξετε το δισκοπρίονο προς τα πίσω ενώ ο δίσκος βρίσκεται σε κίνηση: υπάρχει κίνδυνος κλωστήματος.** Εξακριβώστε την αιτία και λάβετε τα απαιτούμενα μέτρα για την εξουδετέρωση της αιτίας του σφηνώματος του δίσκου. Αποφεύγετε την κοπή καρφιών ή βιδών.
- Κατά την επανεκκίνηση του δισκοπρίονου στο κομμάτι εργασίας, κεντράρετε τον δίσκο κοπής στον αρμό κοπής και βεβαιωθείτε ότι τα δόντια του δίσκου δεν εμπλέκονται στο υλικό.** Αν σφηνώσει ο δίσκος κοπής, ενδέχεται να κινηθεί προς τα πάνω ή να κλωτήσει κατά την επανεκκίνηση του δισκοπρίονου.
- Υποστηρίξτε μεγάλα φύλλα ξύλου για να μειώσετε στο ελάχιστο τον κίνδυνο του σφηνώματος και του κλωστήματος του δίσκου.** Μεγάλα φύλλα έχουν την τάση να λυγίζουν κάτω από το δικό τους βάρος. Τα στηρίγματα θα πρέπει να τοποθετούνται και στις δύο πλευρές κάτω από το φύλλο, κοντά στη γραμμή κοπής και κοντά στην άκρη του φύλλου.
- Μη χρησιμοποιείτε στομωμένους ή φθαρμένους δίσκους.** Όταν χρησιμοποιούνται αμβλείς ή λάθος τοποθετημένοι δίσκοι σχηματίζονται στενοί αρμοί κοπής, με αποτέλεσμα τη δημιουργία υπέρμετρης τριβής, το σφηνώμα του δίσκου και το κλώτσημα του πριονιού.
- Οι μοχλοί ασφάλισης του βάθους κοπής και της ρύθμισης λοξής γωνίας θα πρέπει να έχουν σφιχτεί και να έχουν ασφαλιστεί πριν από την πραγματοποίηση της κοπής.** Αν αλλάξει η ρύθμιση του δίσκου κατά τη διάρκεια της κοπής υπάρχει το ενδεχόμενο να σφηνώσει ή να κλωτήσει το δισκοπρίονο.
- Να είστε ιδιαίτερα προσεκτικός/προσεκτική όταν κόβετε σε ήδη υπάρχοντες τοίχους ή σε άλλους μη επιβλεπόμενους τομείς.** Ο βυθιζόμενος πριονόδισκος μπορεί να προσκρούσει ή να μπλοκάρει σε μη ορατά αντικείμενα και να προκαλέσει κλώτσημα.

### 3) ΛΕΙΤΟΥΡΓΙΑ ΤΟΥ ΚΑΤΩ ΠΡΟΦΥΛΑΚΤΗΡΑ

- Πριν από κάθε χρήση, βεβαιωθείτε ότι κλείνει σωστά ο κάτω προφυλακτήρας. Μη χρησιμοποιείτε το πριόνι όταν ο κάτω προφυλακτήρας δεν κινείται ελεύθερα ή όταν δεν κλείνει αμέσως. Ποτέ μη σφίγγετε ή δένετε τον κάτω προφυλακτήρα στην ανοιχτή θέση.** Αν αφήσετε το δισκοπρίονο να πέσει, υπάρχει το ενδεχόμενο να έχει στραβώσει ο κάτω προφυλακτήρας. Βγάλτε το φιλ από την πρίζα, σηκώστε τον κάτω προφυλακτήρα με τη βοήθεια της λαβής ανύψωσης και βεβαιωθείτε ότι κινείται ελεύθερα και ότι δεν έρχεται σε επαφή με τον δίσκο ή με οποιοδήποτε άλλο εξάρτημα, σε όλες τις γωνίες και σε όλα τα βήθη κοπής.
- Ελέγξτε τη λειτουργία του ελατηρίου του κάτω προφυλακτήρα. Αν ο προφυλακτήρας και το ελατήριο δεν λειτουργούν σωστά, θα πρέπει να επισκευαστούν πριν από τη χρήση.** Ο κάτω προφυλακτήρας ενδέχεται να είναι δυσκίνητος εξαιτίας ελαττωματικών εξαρτημάτων, αποθέσεων καουτσούκ ή συσσωρεύουσας σκόνης.
- Η ανύψωση του κάτω προφυλακτήρα με το χέρι επιτρέπεται μόνο όταν πραγματοποιούνται ειδικές κοπές, όπως για παράδειγμα διεσδυτικές ή σπυθνες κοπές. Σηκώστε τον κάτω προφυλακτήρα με τη βοήθεια της λαβής ανύψωσης και κατεβάστε τον κάτω προφυλακτήρα μόλις μπει ο δίσκος στο υλικό.** Για όλες τις άλλες εργασίες κοπής, ο κάτω προφυλακτήρας θα πρέπει να λειτουργεί αυτόματα.
- Βεβαιωθείτε πάντα ότι ο κάτω προφυλακτήρας καλύπτει τον δίσκο κοπής πριν τοποθετήσετε το δισκοπρίονο στον πάγκο εργασίας ή στο δάπεδο.** Ένας απροστάτευτος δίσκος που δεν έχει ακόμα σταματήσει να περιστρέφεται θα κάνει το δισκοπρίονο να κινείται προς τα πίσω και να κόβει οτιδήποτε συναντήσει στην πορεία του. Ξεματτήστε τον χρόνο που απαιτείται για να σταματήσει ο δίσκος από τη στιγμή που αφήνετε τον διακόπτη.

### ΣΥΜΠΛΗΡΩΜΑΤΙΚΕΣ ΥΠΟΔΕΙΞΕΙΣ ΑΣΦΑΛΕΙΑΣ

#### ΓΕΝΙΚΑ

- Αυτό το εργαλείο δεν πρέπει να χρησιμοποιείται από άτομα κάτω των 16 ετών
- Αυτό το εργαλείο δεν είναι κατάλληλο για κοπή με νερό
- **Πάντα να αποσυνδέεται την πρίζα από το ηλεκτρικό δίκτυο πριν κάνετε κάποια ρύθμιση ή αλλάξετε εξάρτημα**
- Ποτέ μη χρησιμοποιείτε το εργαλείο όταν έχει υποστεί βλάβη το καλώδιο - το καλώδιο θα πρέπει να αντικατασταθεί από έναν εξειδικευμένο τεχνίτη
- **Μην καταργάσετε υλικά που περιέχουν αμιάντο** (το αμιάντο θεωρείται σαν καρκινογόνο υλικό)
- Η σκόνη από υλικά όπως μπιγιές που περιέχουν μόλυβδο, ορισμένα είδη ξύλου, ανόργανα στοιχεία και μέταλλα μπορεί να είναι επιβλαβής (ή επαφή ή η εισπνοή της σκόνης μπορεί να προκαλέσει αλλεργικές αντιδράσεις ή/και αναπνευστικές ασθένειες στον χειριστή ή σε άτομα που παρίστανται) - **να φοράτε προσωπίδα προστασίας από τη σκόνη και να**

### **εργάζεστε με συσκευή αφαίρεσης σκόνης όταν είναι δυνατό**

- Ορισμένα είδη σκόνης ταξινομούνται ως καρκινογόνα (όπως η σκόνη από τη δρυ ή την οξιά) ιδιαίτερα σε συνδυασμό με πρόσθετα συντήρησης ξύλου - **να φοράτε προσωπίδα προστασίας από τη σκόνη και να εργάζεστε με συσκευή αφαίρεσης σκόνης όταν είναι δυνατό**
- Ακολουθήστε τις σχετικές με σκόνη εθνικές διατάξεις για τα υλικά που θέλετε να εργαστείτε
- Χρησιμοποιείτε μόνο το τραπέζι εργασίας, που διαθέτει διακόπτη που δεν επιτρέπει την επανεκκίνηση του κινητήρα από διακοπή ρευματος
- Χρησιμοποιείτε μόνο το τραπέζι εργασίας, που διαθέτει καμπύλος οδηγός

### **ΕΞΑΡΤΗΜΑΤΑ**

- Η SKIL εγγυάται την τέλεια λειτουργία του εργαλείου μόνο όταν χρησιμοποιούνται αυθεντικά εξαρτήματα
- Χρησιμοποιείτε μόνο εξαρτήματα των οποίων ο ύψιστος επιτρεπτός αριθμός στροφών είναι τουλάχιστον τόσο υψηλός, όσο ο ύψιστος αριθμός στροφών χωρίς φορτίο του εργαλείου
- **Χρησιμοποιήστε μόνο πριονόλαμες με ελάχιστη διάμετρο 170 mm, μέγιστη διάμετρο 184 mm και οπή ατράκτου 16 mm**
- Μην χρησιμοποιείτε ποτέ δίσκους κοπής από ταχυχάλυβα (HSS)
- Με το εργαλείο ποτέ μην χρησιμοποιείτε δίσκους τροχίσματος/κοπής

### **ΠΡΙΝ ΑΠΟ ΤΗ ΧΡΗΣΗ**

- Βεβαιωθείτε ότι η τάση του παρεχόμενου ρεύματος είναι ίδια με την τάση που υποδεικνύεται στην πινακίδα δεδομένων του εργαλείου (εργαλεία που φέρουν την ένδειξη 230V ή 240V μπορούν να συνδεθούν επίσης σε πρίζα 220V)
- Προφυλάξτε το εργαλείο από τυχόν φθορές από ξένα σώματα (βίδες, καρφιά ή άλλα) που ίσως είναι μέσα στο κομμάτι που θα δουλέψετε - αφαιρέστε τα πριν αρχίσετε την εργασία
- Αφαιρέστε όλα τα εμπόδια από την γραμμή κοπής, πάνω και κάτω, πριν ξεκινήσετε την κοπή
- **Στερεώστε το κομμάτι εργασίας** (το κομμάτι εργασίας συγκρατείται καλύτερα με σφιγκτήρες ή σε μέγγενη παρά με το χέρι)
- **Χρησιμοποιήστε κατάλληλες ανιχνευτικές συσκευές για να εντοπίσετε τυχόν αφανείς τροφοδοτικές γραμμές ή συμφορευτείτε σχετικά τις επιχειρήσεις παροχής ενέργειας** (επαφή με ηλεκτρικές γραμμές μπορεί να οδηγήσει σε πυρκαϊά ή σε ηλεκτροπληξία - βλάβες σε αγωγούς φωταερίου (γκαζιού) μπορεί να οδηγήσουν σε έκρηξη - η διεύθυνση σ' ένα σωλήνα νερού προκαλεί υλικές ζημιές ή μπορεί να προκαλέσει ηλεκτροπληξία)
- Χρησιμοποιείτε ασφαλείς, τελειώς ξετυλιγμένες προεκτάσεις καλωδίου με χωρητικότητα 16 Amps

### **ΚΑΤΑ ΤΗ ΧΡΗΣΗ**

- Η ηχητική στάθμη κατά την εργασία ενδέχεται να ξεπεράσει τα 85 dB(A) - γι' αυτό θα πρέπει να φοράτε προστασία ακοής
- Μην χρησιμοποιείτε ποτέ το εργαλείο σας χωρίς το προστατευτικό σύστημα που δίνει ο κατασκευαστής

- Μην επιχειρείτε να κόψετε αντικείμενα πολύ μικρών διαστάσεων
- Μην εργάζεστε με το εργαλείο κρατώντας το ψηλά πάνω από το κεφάλι σας
- Σε περίπτωση που το εργαλείο σας θα "κολλήσει", ή σε περίπτωση κακής ηλεκτρικής ή μηχανικής λειτουργίας, σταματήστε αμέσως το εργαλείο και βγάλτε το από την πρίζα
- Σε περίπτωση που υποστεί βλάβη ή κοπεί το καλώδιο κατά την εργασία, μην αγγίζετε το καλώδιο, αλλά αποσυνδέστε αμέσως το φις από την πρίζα

### **ΜΕΤΑ ΤΗ ΧΡΗΣΗ**

- Όταν τελειώνετε την δουλειά σας και ακουμπάτε το εργαλείο στο πλάι, κλείστε τον διακόπτη και βεβαιωθείτε ότι όλα τα κινούμενα μέρη του έχουν σταματήσει εντελώς
- Αφού κλείσετε το διακόπτη του δισκοπριονίου, ποτέ μην προσπαθήτε να σταματήσετε την περιστροφή του δίσκου κοπής εφαρμόζοντας σε αυτόν μία πλευρική δύναμη

### **ΧΡΗΣΗ**

- Τοποθέτηση του δίσκου κοπής ③
  - ! **βγάλτε το φις από την πρίζα**
  - πάρτε το εξάγωνο κλειδί A από τη θήκη του αποθήκευσης B
  - πιέστε το κουμπί ασφάλισης της ατράκτου C και κρατήστε το πατημένο ενώ αφαιρείτε τον κοχλία του δίσκου D γυρίζοντάς τον με το εξάγωνο κλειδί
  - ! **πιέξτε το κουμπί ασφάλισης της ατράκτου C μόνο όταν είναι σταματημένο το εργαλείο**
  - αφήστε το κουμπί ασφάλισης της ατράκτου C
  - αφαιρέστε τη φλάντζα E
  - ανοίξτε τον κάτω προφυλακτήρα F με το μοχλό G και κρατήστε τον ενώ τοποθετήστε τον δίσκο, φροντίζοντας ώστε τα δόντια του δίσκου και το βέλος που είναι τυπωμένο στον δίσκο να δείχνουν προς την ίδια κατεύθυνση όπως το βέλος στον επάνω προφυλακτήρα
  - αφήστε τον κάτω προφυλακτήρα F
  - τοποθετήστε τη φλάντζα E
  - ! **βεβαιωθείτε ότι οι επιφάνειες σύσφιξης H της φλάντζας είναι τελειώς καθαρές και ότι είναι στραμμένες προς τον δίσκο**
  - πιέστε το κουμπί ασφάλισης της ατράκτου C και κρατήστε το πατημένο ενώ σφίγγετε τον κοχλία του δίσκου γυρίζοντάς τον με το εξάγωνο κλειδί, 1/8 του κύκλου πέρα από το σημείο μέχρι το οποίο σφίγγει με το χέρι (έτσι διασφαλίζεται το γλιστρήμα του δίσκου όταν αντιμετωπίζει υπέρμετρη αντίσταση, αποφεύγοντας με τον τρόπο αυτό την υπερφόρτωση του μοτέρ και το κλότσημα του πριονιού)
  - αφήστε το κουμπί ασφάλισης της ατράκτου C
- Ρύθμιση του βάθους κοπής (0-55 χλστ.) ④
  - για τη βέλτιστη ποιότητα κοπής, ο δίσκος κοπής δεν πρέπει να εξέχει περισσότερο από 3 χλστ. κάτω από το κομμάτι εργασίας
  - ξεσφίξτε την πεταλούδα J
  - ανασκώστε/χαμηλώστε το πέλαμα K μέχρι το επιθυμητό βάθος κοπής επιτευχθεί υπό κλίμακα χρησιμοποιώντας τον δείκτη L
  - σφίξτε την πεταλούδα J

- Ρύθμιση της γωνίας κοπής (0-45°) ⑤
  - ξεσφίξτε την πεταλούδα M
  - περιστρέψτε το εργαλείο μέχρι η επιθυμητή γωνία επιτευχθεί υπό κλίμακα χρησιμοποιώντας τον δείκτη N
  - σφίξτε την πεταλούδα M
- ! **στην πλαγιοκοπή, το βάθος κοπής δεν ανταποκρίνεται στην ένδειξη υπό κλίμακα του βάθους κοπής**
- Ελέγχος γωνίας κοπής 90° ⑥
  - ρυθμίστε και σφίξτε το πέλαμα K στο μέγιστο βάθος κοπής ④
  - ρυθμίστε και σφίξτε τη ρύθμιση γωνίας στις 0°
  - ελέγξτε για γωνία 90° μεταξύ δίσκου και πέλαματος με ένα τετράγωνο
  - αν χρειάζεται ρύθμιση, ξεσφίξτε την πεταλούδα M και χρησιμοποιήστε τη ρυθμιστική βίδα P όπως στην εικόνα
- Ρυθμιζόμενος αλεξήλιος τζαμιος για τη γραμμή κοπής Q ⑥a
  - ώστε να κατευθύνεται το εργαλείο κατά μήκος της χαραγμένης γραμμής κοπής πάνω στο κομμάτι
  - για ευθεία κοπή 0° ή κλίση 45° χρησιμοποιήστε την δείκτη-γραμμή αυτή
- ! **το φαρδύ μέρος του πέλατος πρέπει να εφάπτεται στο υποστηριζόμενο μέρος του κομματιού**
- μπορεί να ρυθμιστεί, επιτρέποντας στον χρήστη να επιλέξει αν η απώλεια υλικού θα γίνεται στην εσωτερική ή στην εξωτερική πλευρά του δίσκου ⑥b
- ! **το πλάτος κοπής καθορίζεται από το πλάτος των δοντιών και όχι του σώματος του δίσκου**
- ! **πάντα κάνετε δοκιμαστικές κοπές για να βρείτε την πραγματική γραμμή κοπής**
- Απορρόφηση σκόνης
  - συνδέστε την ηλεκτρική σας σκούπα στην υποδοχή R ⑦
- ! **ποτέ μην αφήσετε τον σωλήνα της ηλεκτρικής σκούπας να εμπλακεί με τον κάτω προφυλακτήρα με τη διαδικασία κοπής**
- πμορείτε να χρησιμοποιήσετε ένα σάκκο συλλογής σκόνης (εξάρτημα SKIL 2610387402)
- ! **μη χρησιμοποιείτε το σάκκο συλλογής σκόνης/ την ηλεκτρική σκούπα όταν κόβετε μέταλλα**
- Χειρισμός του εργαλείου ⑦
  - συνδέστε την πρίζα με το δίκτυο ηλ. ρεύματος
  - πάντοτε κρατείστε τη λαβή S σιφχτά και σταθερά με το χέρι και τη λαβή T σιφχτά με το άλλο χέρι
  - τοποθετήστε το εργαλείο με το εμπρός μέρος του πέλατος επίπεδα επανω στο κομμάτι
- ! **βεβαιωθείτε ότι τα δόντια δεν έχουν εμπλακεί με το κομμάτι εργασίας**
- ξεκινάτε το εργαλείο σας πρώτα πιέσσοντας το κουμπί V (= διακόπτης ασφαλείας που δεν μπλοκάρει) και μετά πατήστε τη σκανδάλη W
- ! **το εργαλείο πρέπει να λειτουργεί με πλήρη ταχύτητα προτού ο δίσκος κοπής εισχωρήσει το υλικό που κόβετε**
- ο κάτω προφυλακτήρας F ανοίγει αυτομάτως όταν ο δίσκος κοπής έλθει σε επαφή με το υλικό που κόβετε (ανοίξετε τον προφυλακτήρα με το χέρι σας χρησιμοποιώντας το μοχλό G μόνο για κοπή ειδική όπως είναι η εσωτερική κοπή)

- ! **μη ζορίζετε το εργαλείο** (να ασκείτε ελαφρά αλλά συνεχή πίεση προκειμένου να αποφευχθεί υπερθέρμανση των άκρων των λεπίδων και - σε περίπτωση που κόβετε πλαστικά - λιωσιμο του πλαστικού)
- ! **ενώ εργάζεστε, να κρατάτε πάντα το εργαλείο από τη/τις λαβή/ές με γκρι χρώμα**
- αφού ολοκληρώσετε την κοπή, σταματάτε το εργαλείο σας απελευθερώνοντας την σκανδάλη W
- ! **βεβαιωθείτε ότι η λεπίδα έχει σταματήσει τελείως πριν σηκώσετε το εργαλείο από το κατεργαζόμενο αντικείμενο**

## ΟΔΗΓΙΕΣ ΕΦΑΡΜΟΓΗΣ

- Όταν χρησιμοποιείται η ράγα - οδηγός (αξεσουάρ με κωδικό SKIL 2610Z04064) σε συνδυασμό με αντάπτορα, το βάθος κοπής θα μειωθεί σε 14 mm για κοπές σε γωνία 90° αλλά και σε 45°
- Φροντίστε ώστε πάντα η "καλή" πλευρά του κομματιού εργασίας να αντικρύζει προς τα κάτω ώστε να αποφεύγεται το "ξεφτισμα"
- Χρησιμοποιήστε μόνο δίσκους κοπής που κόβουν καλά και είναι ο σωστός τύπος για τη δουλειά που κάνετε ⑧
  - ο αριθμός δοντιών που διαθέτουν όσο μεγαλύτερος ο αριθμός δοντιών βελτιωμένη ποιότητα κοπής
  - οι δίσκους κοπής με άκρα καρβιδίου παραμένουν κοφτεροί έως και 30 φορές περισσότερο από τους συνήθεις δίσκους κοπής
- Οδηγός παράλληλης κοπής Y ⑨
  - για ακριβείς κοπές κατά μήκος του κομματιού κοπής - μπορεί να τοποθετηθεί σε κάθε πλευρά του πέλατος
- Ρύθμιση του οδηγού παράλληλης κοπής
  - ξεσφίξτε την πεταλούδα Z
  - ρυθμίστε το επιθυμητό πλάτος κοπής χρησιμοποιώντας την κλίμακα παράλληλης κοπής (χρησιμοποιήστε το δείκτη γραμμής κοπής Q ως σημείο αναφοράς)
  - σφίξτε την πεταλούδα Z
- Εσωτερική κοπή ⑩
  - καθορίστε το επιθυμητό βάθος κοπής
  - περιστρέψτε το εργαλείο προς τα εμπρός με τον δείκτη γραμμής κοπής Q ευθυγραμμισμένο με την επιθυμητή γραμμή κοπής χαραγμένη πάνω στο κομμάτι
  - ανοίξετε τον κάτω προφυλακτήρα F με το μοχλό G
  - μόλις ο δίσκος κοπής είναι έτοιμος να εισέλθει στο κομμάτι, ξεκινάτε το εργαλείο και σταδιακά χαμηλώστε το πίσω μέρος του εργαλείου, χρησιμοποιώντας το μπροστινό άκρο του πέλατος σαν σταθερό σημείο
  - σταδιακά χαμηλώστε το εργαλείο προς τα κάτω καθώς και προς τα εμπρός
  - μόλις μπει ο δίσκος στο υλικό, αφήστε ελεύθερο το μοχλό G
- ! **ποτέ μην τραβήξετε το εργαλείο προς τα πίσω**
- Κοπή μεγάλων κομματιών ⑪
  - υποστηρίξτε τα κομμάτια κοπής, τοποθετώντας τα στο πάτωμα, το τραπέζι ή τον πάγκο εργασίας
- ! **ρυθμίστε το βάθος κοπής έτσι ώστε να κόψετε το κομμάτι και όχι την υποστήριξη**
- σε περίπτωση που ο οδηγός παράλληλης κοπής δεν επιτρέπει την κοπή επιθυμητό πλάτος, στερεώστε ή καρφώστε ένα ξύλο πάνω στο κομμάτι ως οδηγός

και χρησιμοποιείστε τη δεξιά πλευρά του πελμάτος σε σχέση με αυτόν τον οδηγό

## ΣΥΝΤΗΡΗΣΗ / ΣΕΡΒΙΣ

- Αυτό το εργαλείο δεν προορίζεται για επαγγελματική χρήση
- Κρατάτε πάντοτε το εργαλείο και το καλώδιο καθαρά (και ιδιαίτερα τις σχισμές αερισμού)  
**! αφαιρέστε την πρίζα πριν το καθάρισμα**
- Φροντίστε πάντα ο χώρος γύρω από τον κάτω προφυλακτήρα F ③ να είναι καθαρός (αφαιρέστε τη σκόνη και τα ροκανίδια φυσώντας με πεπιεσμένο αέρα ή με ένα πινέλο)
- Καθαρίστε τον δίσκο κοπής αμέσως μετά τη χρήση (κυρίως από κόλλα ή βερνίκια)
- Αν παρ' όλες τις επιμελημένες μεθόδους κατασκευής κι ελέγχου το εργαλείο σταματήσει κάποτε να λειτουργεί, τότε η επισκευή του πρέπει να ανατεθεί σ' ένα εξουσιοδοτημένο συνεργείο για ηλεκτρικά εργαλεία της SKIL
  - στείλτε το εργαλείο **χωρίς να το αποσυναρμολογήσετε** μαζί με την απόδειξη αγοράς στο κατάστημα από το οποίο το αγοράσατε ή στον πλησιέστερο σταθμό τεχνικής εξυπηρέτησης της SKIL (θα βρείτε τις διευθύνσεις και το διάγραμμα συντήρησης του εργαλείου στην ιστοσελίδα [www.skil.com](http://www.skil.com))

## ΠΕΡΙΒΑΛΛΟΝ

- **Μην πετάτε τα ηλεκτρικά εργαλεία, εξαρτήματα και συσκευασία στον κάδο οικιακών απορριμμάτων** (μόνο για τις χώρες της ΕΕ)
  - σύμφωνα με την ευρωπαϊκή οδηγία 2012/19/ΕΚ περί ηλεκτρικών και ηλεκτρονικών συσκευών και την ενσωμάτωσή της στο εθνικό δίκαιο, τα ηλεκτρικά εργαλεία πρέπει να συλλέγονται ξεχωριστά και να επιστρέφονται για ανακύκλωση με τρόπο φιλικό προς το περιβάλλον
  - το σύμβολο ⑫ θα σας το θυμήσει αυτό όταν έλθει η ώρα να πετάξετε τις

## ΔΗΛΩΣΗ ΣΥΜΜΟΡΦΩΣΗΣ CE

**Δισκοπρίονο 5665/5765**

**Τεχνικά χαρακτηριστικά** ①

- Δηλώνουμε υπευθύνως ότι το προϊόν που περιγράφεται στα "Τεχνικά χαρακτηριστικά" εκπληρώνει τους εξής κανονισμούς ή κατασκευαστικές συστάσεις: EN 60745, EN 61000, EN 55014 σύμφωνα με τις διατάξεις των οδηγιών 2014/30/ΕΕ, 2006/42/ΕΚ, 2011/65/ΕΕ
- **Τεχνικός φάκελος από:** SKIL Europe BV (PT-SEU/ENG1), 4825 BD Breda, NL

Marijn van der Hoofden  
Operations & Engineering

Olaf Dijkgraaf  
Approval Manager

SKIL Europe BV, 4825 BD Breda, NL

16.10.2014

## ΘΟΡΥΒΟ/ΚΡΑΔΑΣΜΟΥΣ

- Μετρημένη σύμφωνα με EN 60745 η στάθμη ακουστικής πίεσης αυτού του εργαλείου ανέρχεται σε 97 dB(A) και η στάθμη ηχητικής ισχύος σε 108 dB(A) (κοινή απόκλιση: 3 dB), και ο κραδασμός σε \* m/s<sup>2</sup> (άθροισμα ανυσμάτων τριών κατευθύνσεων - ανασφάλεια K = 1,5 m/s<sup>2</sup>)
    - \* όταν κόβετε ξύλο 2,6 m/s<sup>2</sup>
    - \* όταν κόβετε μέταλλα 2,2 m/s<sup>2</sup>
  - Το επίπεδο παραγωγής κραδασμών έχει μετρηθεί σύμφωνα με μια τυποποιημένη δοκιμή που αναφέρεται στο πρότυπο EN 60745 - μπορεί να χρησιμοποιηθεί για τη σύγκριση ενός εργαλείου με ένα άλλο, καθώς και ως προκαταρκτική αξιολόγηση της έκθεσης στους κραδασμούς όταν το εργαλείο χρησιμοποιείται για τις εφαρμογές που αναφέρονται
    - η χρήση του εργαλείου για διαφορετικές εφαρμογές ή με διαφορετικά ή ακοοσυντηρημένα εξαρτήματα μπορεί να **αυξήσει** σημαντικά το επίπεδο έκθεσης
    - όταν το εργαλείο είναι απενεργοποιημένο ή δουλεύει αλλά δεν εκτελεί την εργασία, το επίπεδο έκθεσης μπορεί να **μειωθεί** σημαντικά
- ! προστατευτείτε από τις επιδράσεις των κραδασμών συντηρώντας σωστά το εργαλείο και τα εξαρτήματά του, διατηρώντας τα χέρια σας ζεστά και οργανώνοντας τον τρόπο εργασίας σας**

RO

Ferăstrău circular

5665/5765

## INTRODUCERE

- Această sculă este destinată tăierilor longitudinale și transversale în lemn atât cu secțiuni drepte cât și cu secțiuni unghiulare la 45°; cu pânze de fierăstrău corespunzătoare se pot tăia, de asemenea, metale neferoase, materiale ușoare de construcții și mase plastice
- Această sculă nu este destinată utilizării profesionale
- Citiți și păstrați acest manual de instrucțiuni ②

## DATE TEHNICE ①

## SIGURANȚA

### INSTRUCȚIUNI DE SIGURANȚĂ GENERALE

**⚠ ATENȚIE! Citiți toate indicațiile de avertizare și instrucțiunile.** Nerespectarea indicațiilor de avertizare și a instrucțiunilor poate provoca electrocutare, incendii și/sau răniiri grave. **Păstrați toate indicațiile de avertizare și instrucțiunile în vederea utilizărilor viitoare.** Termenul de "sculă electrică" folosit în indicațiile de avertizare se referă la sculele electrice alimentare de la rețea (cu cablu de alimentare) și la sculele electrice cu acumulator (fără cablu de alimentare).

### 1) SIGURANȚA LA LOCUL DE MUNCĂ

- a) **Păstrați-vă locul de muncă curat și bine iluminat.** Dezordinea la locul de muncă sau existența unor sectoare de lucru neilluminate poate duce la accidente.

b) **Nu folosiți mașina în medii cu pericol de explozie, acolo unde există lichide, gaze sau pulberi inflamabile.** Sculele electrice pot produce scântei care să aprindă pulberile sau vaporii.

c) **Nu permiteți accesul copiilor și al altor persoane în timpul lucrului cu mașina.** Dacă vi se distrage atenția puteți pierde controlul asupra mașinii.

## 2) SECURITATE ELECTRICĂ

a) **Ștecherul de racordare a mașinii trebuie să se potrivească cu priza de alimentare. Nu este permisă în nici-un caz modificarea ștecherului. Nu folosiți adaptoare pentru ștechere la mașinile legate la pământ.** Ștecherele nemodificate și prizele de curent adecvate acestora reduc riscul de electrocutare.

b) **Evitați contactul corporal cu suprafețe legate la pământ ca țevi, radiatoare, plite electrice și frigidere.** Există un risc crescut de electrocutare atunci când corpul dv. este și el legat la pământ.

c) **Nu lăsați mașina afară în ploaie sau în mediu umed.** Riscul de electrocutare crește atunci când într-o sculă electrică pătrunde apă.

d) **Nu trageți niciodată mașina de cordonul de alimentare pentru a o transporta, a o atârna sau a scoate ștecherul din priza de curent. Feriți cordonul de alimentare de căldură, ulei, muchi ascuțiți sau de subsansamble aflate în mișcare.** Un cordon de alimentare deteriorat sau înfășurat mărește riscul de electrocutare.

e) **Atunci când lucrați cu scula electrică în aer liber, folosiți numai cordoane prelungitoare autorizate pentru exterior.** Întrebuințarea unui cordon prelungitor adecvat utilizării în aer liber reduce riscul de electrocutare.

f) **Atunci când nu poate fi evitată utilizarea sculei electrice în mediu umed, folosiți un întrerupător de circuit cu împământare.** Folosirea unei întrerupător de circuit cu împământare reduce riscul de electrocutare.

## 3) SECURITATEA PERSOANELOR

a) **Fiiți vigilenți, fiiți atenți la ceea ce faceți și procedați rațional atunci când lucrați cu scula electrică. Nu folosiți mașina dacă sunteți obosiți sau vă aflați sub influența drogurilor, alcoolului sau a medicamentelor.** Un moment de neatenție în timpul lucrului cu mașina poate duce la răni grave.

b) **Purtați echipament de protecție personală și întotdeauna ochelari de protecție.** Folosirea echipamentelor de protecție a persoanei ca mască de protecție împotriva prafului, încălțăminte antiderapantă, cască de protecție sau aparat de protecție auditivă, în funcție de tipul și domeniul de folosire al sculei electrice, reduce riscul rănilor.

c) **Evitați o punere în funcțiune involuntară. Înainte de a introduce ștecherul în priză și/sau de a introduce acumulatorul în scula electrică, de a o ridica sau de a o transporta, asigurați vă că aceasta este oprită.** Dacă atunci când transportați scula electrică țineți degetul pe întrerupător sau dacă porniți scula electrică înainte de a o racorda la rețeaua de curent, puteți provoca accidente.

d) **Înainte de a pune mașina în funcțiune scoateți afară cheile reglabile și fixe.** O cheie reglabilă sau fixă, aflată într-o componentă de mașină care se rotește, poate provoca răni.

e) **Nu vă supraapreciați. Asigurați-vă o poziție stabilă și păstrați-vă întotdeauna echilibrul.** Astfel veți putea controla mai bine mașina în situații neașteptate.

f) **Purtați îmbrăcăminte de lucru adecvată. Nu purtați haine largi sau podoabe. Țineți părul, îmbrăcăminte și mănușile departe de componente aflate în mișcare.** Îmbrăcămintea largă, podoabele și părul lung pot fi prinse de piesele aflate în mișcare.

g) **Dacă există posibilitatea montării de echipamente și instalații de aspirare și colectare a prafului, asigurați-vă că acestea sunt conectate și folosite corect.** Folosirea unei instalații de aspirare a prafului poate duce la reducerea poluării cu praf.

## 4) MANEVRĂȚI ȘI FOLOSIȚI CU GRIJĂ SCULELE ELECTRICE

a) **Nu suprasolicitați mașina. Folosiți scula electrică destinată executării lucrării dumneavoastră.** Cu scula electrică potrivită lucrați mai bine și mai sigur în domeniul de putere specificat.

b) **Nu folosiți scula electrică dacă are întrerupătorul defect.** O sculă electrică, care nu mai poate fi pornită sau oprită este periculoasă și trebuie reparată.

c) **Scoateți ștecherul afară din priză și/sau îndepărtați acumulatorul, înainte de a executa reglaje, a schimba accesoriul sau de a pune mașina la o parte.** Această măsură preventivă reduce riscul unei porniri involuntare a mașinii.

d) **În caz de nefolosire păstrați mașinile la loc inaccessibil copiilor. Nu permiteți persoanelor care nu sunt familiarizate cu mașina sau care n-au citit prezentele instrucțiuni, să folosească mașina.** Sculele electrice sunt periculoase atunci când sunt folosite de persoane fără experiență.

e) **Întrețineți-vă cu grijă mașina. Controlați dacă componentele mobile funcționează corect și dacă nu se blochează, dacă nu există piese defecte sau deteriorate, care să afecteze funcționarea mașinii.** Înainte de a repune în funcțiune mașina, duceți-o la un atelier de asistență service pentru repararea sau înlocuirea pieselor deteriorate. Multe accidente s-au datorat întreținerii defectuoase a sculelor electrice.

f) **Păstrați accesoriile bine ascuțite și curate.** Accesoriile atent întreținute, cu muchii tăietoare bine ascuțite se blochează mai greu și pot fi conduse mai ușor.

g) **Folosiți sculele electrice, accesoriile, dispozitivele de lucru etc. conform prezentelor instrucțiuni. Țineți seama de condițiile de lucru și de lucrarea care trebuie executată.** Întrebuințarea unor scule electrice destinate altor utilizări decât cele preconizate, poate duce la situații periculoase.

## 5) SERVICE

a) **Permiteți repararea mașinii dumneavoastră numai de către un specialist calificat și numai cu piese de schimb originale.** În acest mod este garantată menținerea siguranței de exploatare a mașinii.

## AVERTISMENTE DE SIGURANȚĂ PENTRU FERĂSTRĂILE CIRCULARE

### 1) PROCES DE TĂIERE

a) **PERICOL : Țineți mâinile departe de zona de tăiere și de pânza de ferăstrău. Cea de-a doua mână**



**țineți-o pe mânerul suplimentar sau pe carcasa motorului.** Dacă țineți ambele mâini pe ferăstrăul circular, pânda de ferăstrău nu le poate răni.

- b) **Nu atingeți piesa de prelucrat dedesubt.** Dispozitivul de protecție nu vă poate apăra împotriva pânzei de ferăstrău în partea de jos a piesei de prelucrat.
- c) **Ajustați adâncimea de tăiere funcție de grosimea piesei pe care vreți să o prelucrați.** Maximum lungimea unui dinte al pânzei de ferăstrău vizibil în afara piesa de prelucrat.
- d) **Nu fixați niciodată piesa de lucru ce urmează a fi tăiată ținând-o în mână sau pe picior. Asigurați piesa de lucru prin fixare într-un sistem de prindere stabil.** Este important să fixați bine piesa de lucru, pentru a reduce la minimum pericolul de contact corporal, blocare a pânzei de ferăstrău sau de pierdere a controlului asupra acesteia.
- e) **Apucați scula electrică numai de mânerul izolat atunci când executați lucrări la care accesoriul poate nimeri conductorii electrici ascunși sau propriul cablu de alimentare.** Contactul cu un conductor sub tensiune pune sub tensiune și componentele metalice ale sculei electrice și duce la electrocutare.
- f) **Atunci când tăiați folosiți întotdeauna o riglă de tăiere sau o riglă de precizie cu muchia de lucru lată.** Aceasta mărește acuratețea procesului de tăiere și reduce șansa de gripare a pânzei de ferăstrău.
- g) **Folosiți întotdeauna pânde de ferăstrău de dimensiuni corespunzătoare și cu orificiu de prindere adecvat (de ex. în formă de stea sau rotund).** Pânzele de ferăstrău care nu se potrivesc elementelor de montaj ale ferăstrăului, se vor roti excentric și vor duce la pierderea controlului.
- h) **Nu folosiți niciodată șaibe sau șuruburi deteriorate sau nepotrivite.** Șaibele sau șuruburile pânzei au fost proiectate special pentru ferăstrăul dvs în scopul unei funcționări optime și a unei mânării plină de siguranță.

## 2) REcul - CAUZE ȘI AVERTISMENTE CORESPUNZĂTOARE

- **Recul este o reacție neașteptată la o pânză de ferăstrău blocată, prinsă sau centrată greșit; în cazul acesta ferăstrăul devine necontrolat, se ridică și părăsește piesa de prelucrat îndreptându-se spre operator**
- **Atunci când pânda ferăstrăului este blocată sau fixată foarte strâns în tăietura de închidere de jos pânda se blochează și datorită forței de reacțiune a motorului ansamblul se mișcă rapid înapoi spre operator**
- **În cazul în care pânda este răsucită sau centrată greșit în tăietură, dinții muchiei tăietoare din spatele pânzei se pot gripa în suprafața de deasupra a lemnului ducând la ieșirea pânzei din tăietură și mișcarea acesteia înapoi spre operator**
- **Recul este consecința utilizării greșite sau defectuoase a ferăstrăului și poate fi împiedicat prin măsuri preventive adecvate, precum cele descrise în continuare**
- a) **Strângeți ferm cu ambele mâini ferăstrăul și poziționați brațele în așa fel încât să puteți rezista forțelor de recul. Poziționați corpul la ambele părți ale pânzei de ferăstrău, dar nu pe aceeași linie cu aceasta.** În caz de recul ferăstrăul poate sări înapoi, însă

operatorul are posibilitatea de a stăpâni forțele de recul prin adoptarea unor măsuri preventive adecvate.

- b) **Atunci când pânda este gripată sau atunci când tăierea este întreruptă dintr-un anumit motiv, întrerupeți declanșatorul și țineți ferăstrăul imobil în material până în momentul în care pânda ferăstrăului se oprește complet. Nu încercați niciodată să îndepărtați ferăstrăul din piesa de prelucrat sau să împingeți ferăstrăul înapoi în timp ce pânda este în funcțiune sau după ce a apărut fenomenul de recul.** Investigați și interveniți într-un mod corectiv în scopul îndepărtării cauzei gripării pânzei. Evitați tăierea cuielor și șuruburilor.
  - c) **În momentul în care repuneți în funcțiune un ferăstrău în piesa de prelucrat centrați pânda ferăstrăului în tăietură și verificați dacă dinții ferăstrăului nu sunt angrenați în material.** Dacă pânda ferăstrăului este gripată aceasta se va deplasa în sus sau va sări înapoi din piesa de prelucrat în momentul în care ferăstrăul este pus din nou în funcțiune.
  - d) **Folosiți paneele mari în scopul minimalizării riscului de blocare a pânzei și mișcarea bruscă a acesteia înapoi.** Paneele mari tind să se deformeze sub greutatea lor proprie. La ambele părți trebuie plasate suporturi sub panel, aproape de linia de tăiere și aproape de marginea panelui.
  - e) **Nu folosiți o pânză tocită sau deteriorată.** Seturi de pânze neascuțite sau neadecvate produc o tăietură îngustă determinând o frecare excesivă, griparea pânzei și mișcarea bruscă înapoi.
  - f) **Adâncimea pânzei și brațele de închidere ale fațetei reglabile trebuie să fie strânse și protejate înainte de a face tăietura.** Dacă reglarea pânzei se schimbă în timpul tăiatului, aceasta va cauza griparea și mișcarea bruscă înapoi a pânzei.
  - g) **Fiiți extrem de precauți la tăierea pereților sau a altor sectoare lipsite de vizibilitate.** Pânda de ferăstrău care intră în material se poate bloca în obiecte ascunse și provoca un recul.
- ## 3) FUNCȚIONAREA DISPOZITIVULUI INFERIOR DE PROTECȚIE
- a) **Înainte de orice folosire controlați dacă dispozitivul inferior de protecție este închis corect. Nu folosiți ferăstrăul în cazul în care dispozitivul inferior de protecție nu se mișcă liber și nu se închide rapid. Nu fixați sau strângeți niciodată dispozitivul inferior de protecție în poziția deschis.** Dacă ferăstrăul cade întâmplător dispozitivul inferior de protecție va fi îndoit. Deconectați priza, ridicați dispozitivul de protecție inferior cu ajutorul manetei de repunere în funcțiune și asigurați-vă că acesta se mișcă liber și nu atinge pânda ferăstrăului sau altă parte, în toate unghiurile și adâncimile de tăiere.
  - b) **Controlați funcționarea arcului dispozitivului inferior de protecție. Dacă dispozitivul de protecție și arcul nu funcționează adecvat acestea trebuie reparate înainte de a fi folosite.** Dispozitivul de protecție va funcționa necorespunzător în cazul unor părți componente deteriorate, a unor depozite lipicioase sau a creșterii reziduurilor.
  - c) **Dispozitivul inferior de protecție va fi îndepărtat manual numai în cazul tăieturilor speciale, așa cum**

sunt tăieturile în adâncime și tăieturile compuse.

**Ridicați dispozitivul de protecție inferior prin tragerea manetei și de îndată ce pânza intră în material dispozitivul inferior de protecție va fi deblocat.** Pentru toate celelalte tăieturi cu ferăstrăul, dispozitivul inferior de protecție va funcționa automat.

- d) **Totdeauna controlați dacă dispozitivul inferior de protecție acoperă pânza ferăstrăului înainte ca ferăstrăul să fie plasat pe bancul de lucru sau pe planșeu.** O pânză neprotejată care merge în gol va duce la mișcarea ferăstrăului înapoi, tăind tot ceea ce se află în calea lui. Fiți conștient de timpul necesar opririi pânzei după ce comutatorul a fost închis.

## AVERTISMENTE SUPLIMENTARE

### GENERALITĂȚI

- Această sculă nu trebuie să fie folosit de persoane sub 16 ani
- Această sculă nu este potrivită pentru tăiere umedă
- **Decuplați întotdeauna ștecherul de la sursa de alimentare înainte de a face o reglare sau o schimbare de accesorii**
- Nu folosiți scula atunci când cordonul sau prezintă defecțiuni; înlocuirea lor se va efectua de o persoană autorizată
- **Nu prelucrați materiale care conțin azbest** (azbestul este considerat a fi cancerigen)
- Praful rezultat din materiale precum vopseala care conține plumb, unele specii de lemn, minerale și metale poate fi periculos (contactul cu praful sau inhalarea acestuia poate provoca reacții alergice și/sau afecțiuni respiratorii operatorului sau persoanelor care stau în apropiere); **purtați o mască de praf și lucrați cu un dispozitiv de extragere a prafului când poate fi conectat**
- Anumite tipuri de praf sunt clasificate ca fiind cancerigene (cum ar fi praful de stejar și fag) în special în combinație cu aditivi pentru tratarea lemnului; **purtați o mască de praf și lucrați cu un dispozitiv de extragere a prafului când poate fi conectat**
- Respectați reglementările naționale referitoare la aspirația prafului în funcție de materialele de lucru folosite
- Folosiți doar o masă de fierăstrău prevăzută cu un comutator care împiedică repornirea motorului după întreruperea tensiunii
- Folosiți doar o masă de fierăstrău prevăzută cu un ghidajul tăieturii

### ACCESORII

- SKIL garantează funcționarea perfectă a aparatului numai dacă sunt folosite accesoriile originale
- Folosiți numai accesoriile a căror turaj este admisă este cel puțin egală cu turajul maximă la mers în gol a aparatului
- **Utilizați numai pânze de ferăstrău cu un diametru minim de 170 mm, un diametru maxim de 184 mm și un orificiu pentru fus de 16 mm**
- Nu utilizați niciodată pânze de ferăstrău confecționate din oțel rapid de scule (HSS)
- Nu folosiți niciodată discuri de șlefuire/tăiere cu această sculă

## ÎNAINTEA UTILIZĂRII

- Verificați întotdeauna dacă tensiunea de alimentare este aceeași cu tensiunea indicată pe plăcuța de identificare a sculei (sculele cu o specificație de 230V și 240V pot fi conectate și la alimentare de 220V)
- Evitați daunele provocate de șuruburi, ținte și alte elemente din timpul lucrului; înlăturați aceste elemente înainte de a trece la acțiune
- Îndepărtați toate obstacolele aflate deasupra precum și sub traseul de tăiere înainte de a începe tăierea
- **Securizați piesa de lucru** (o piesă de lucru fixată cu clame sau într-o menghină este ținută mult mai în siguranță decât manual)
- **Folosiți detectoare adecvate pentru depistarea conductorilor și conductorilor de alimentare sau apelați în acest scop la întreprinderea locală de furnizare a utilităților** (contactul cu conductorii electrici poate provoca incendii sau electrocutare; deteriorarea unei conducte de gaz poate duce la explozii; spargerea unei conducte de apă provoacă pagube materiale sau poate provoca electrocutare)
- Folosiți cabluri de prelungire derulate complet, protejate/izolate, cu o capacitate de 16 amperi

## ÎN TIMPUL FUNCȚIONĂRII

- Când este utilizat, nivelul de zgomot poate depăși 85 dB(A); este necesar să purtați echipament de protecție pentru urechi
- Nu folosiți niciodată scula fără sistemul original de protecție
- Nu încercați să tăiați piese de prelucrat extrem de mici
- Nu lucrați cu scula deasupra capului
- În caz de blocare sau de defecțiune electrică sau mecanică, deconectați imediat scula și decuplați cablul
- În cazul în care cordonul este deteriorat sau secționat în timpul lucrului, nu atingeți cordonul, dar deconectați imediat de la priză

## DUPĂ UTILIZARE

- Când puneți instrumentul la o parte, deconectați motorul și asigurați-vă că toate elementele mobile și-au oprit complet mișcarea
- După deconectarea ferăstrăului circular, nu opriți niciodată rotația pânzei de fierăstrău printr-o forță laterală aplicată acesteia

## UTILIZAREA

- Montarea pânzei de ferăstrău ③
  - ! **deconectați priza**
  - luați cheia hexagonală A din magazia B
  - apăsați butonul C de blocare a axului și mențineți butonul apăsat în timp ce îndepărtați cu cheia hexagonală șurubul al pânzei D
  - ! **apăsați butonul C de blocare a axului numai atunci când scula este în poziția de oprire**
  - lăsați liber butonul C de blocare a axului
  - îndepărtați flanșa E
  - desfaceți dispozitivul de protecție inferior F cu maneta G și mențineți-l astfel, montați pânza de ferăstrău astfel încât dinții pânzei de fierăstrău și săgeata desenată pe pânza de fierăstrău să fie îndreptați în aceeași direcție cu săgeata de pe dispozitivul de protecție superior

- lăsați liber dispozitivul de protecție inferior F
- montați flanșa E
- ! **asigurați-vă că suprafețele de fixare H ale flanșelor sunt perfect curate și sunt orientate la pânză**
- apăsați butonul C de blocare a axului și mențineți-l apăsat în timp ce strângeți șurubul pânzei cu cheia hexagonală și întoarceți-l 1/8 cu mâna înapoi (asigurați alunecarea pânzei de fierăstrău atunci când aceasta întâlnește o rezistență excesivă, reducând astfel suprasarcina motorului și reculul fierăstrăului)
- lăsați liber butonul C de blocare a axului
- Reglarea adâncimii de tăiere (0-65 mm) ④
  - pentru o calitate optimă a tăierii pânza de ferăstrău nu trebuie nu trebuie să depășească cu mai mult de 3 mm piesa pe prelucrat
  - deșurubați butonul J
  - ridicați/coborâți reazemul K până la adâncimea de tăiere dorită, adâncime care poate fi setată pe o scală cu ajutorul indicatorului L
  - strângeți butonul J
- Reglarea unghiului de tăiere (0-45°) ⑤
  - deșurubați butonul M
  - înclinați scula până la unghiul de tăiere dorit care este setat pe scală folosind indicatorul N
  - strângeți butonul M
- ! **la tăierea oblică, adâncimea de tăiere nu corespunde cu valoarea de pe scala adâncimii de tăiere**
- Verificarea unghiului de tăiere de 90° ⑥
  - reglați și strângeți reazemul K la adâncimea de tăiere maximă ④
  - reglați și strângeți unghiul de tăiere la 0°
  - verificați unghiul de 90° dintre pânză și partea inferioară a reazemului cu un sablon de unghiuri
  - dacă este necesar reglați, deșurubați butonul M și utilizați șurubul de reglaj P așa cum este ilustrat
- Vizor reglabil al liniei de tăiere Q ⑥a
  - pentru ghidarea sculei de-a lungul liniei dorite de tăiere marcate pe piesa de prelucrat
  - pentru tăiere dreaptă la 0° sau oblică la 45° folosiți linia indicatoare menționată
- ! **partea lată a reazemului trebuie să se așeze pe partea sprijinită a piesei de prelucrat**
- poate fi ajustată în așa fel încât să puteți alege dacă deșeurile materiale vor cădea pe suprafața interioară sau exterioară a pânzei ⑥b
- ! **lățimea de tăiere este determinată de lățimea danturii pânzei și nu de lățimea corpului pânzei**
- ! **faceți întotdeauna mai întâi tăieri de test pentru verificarea liniei efective de tăiere**
- Aspirarea a prafului
  - conectați aspiratorul la extensia R ⑦
- ! **nu lăsați niciodată furtunul aspiratorului să stânjenească dispozitivul inferior de protecție sau operația de tăiere**
- folosiți sacii pentru praf (accesoriu SKIL 2610387402)
- ! **nu folosiți sacul pentru praf/aspiratorul atunci când tăiați metal**
- Utilizarea sculei ⑦
  - cuplați ștecherul la sursa de alimentare
  - întotdeauna țineți ferm cu o mână mânerul S și manevrați ferm mânerul T cu cealaltă mână

- așezați scula cu partea din față a reazemului direct pe piesa de prelucrat
- ! **asigurați-vă că dantura fierăstrăului nu este angajată în piesa de prelucrat**
- conectați scula apăsând prima dată butonul V (= comutator de siguranță care nu poate fi blocat) și apoi trăgând declanșatorul W
- ! **scula trebuie să funcționeze la turația completă înainte ca pânza să intre în piesa de prelucrat**
- dispozitivul inferior de protecție F se deschide automat atunci când pânza ferăstrăului intră în piesa de prelucrat (pentru tăieri speciale, cum ar fi tăieri de adâncime, deschideți manual dispozitivul inferior de protecție, folosind maneta G)
- ! **nu forțați instrumentul** (aplicați presiune ușoară și continuă pentru a evita supraîncălzirea vârfurilor pânzei și, în cazul în care se taie materiale plastice, topirea materialului)
- ! **în timp ce lucrați, țineți întotdeauna scula de zonă (zonele) de prindere colorate gri**
- după încheierea tăierii deconectați scula eliberând declanșatorul W
- ! **asigurați-vă că pânza s-a oprit complet din mișcare înainte de a ridica scula de pe piesa de prelucrat**

## SFATURI PENTRU UTILIZARE

- Când utilizați șina de ghidare (accesoriu SKIL 2610Z04064) în combinație cu adaptorul, adâncimea de tăiere se reduce cu 14 mm, atât pentru tăieri de 90°, cât și de 45°
- Așezați întotdeauna partea bună a piesei de prelucrat în jos pentru a asigura o împrăștiere minimă a așchiilor
- Folosiți doar pânze ascuțite de tipul corect ⑧
  - calitatea tăierii se îmbunătățește cu numărul de dinți
  - pânzele placate cu carburi ramân ascuțite pe perioade de până la de 30 de ori lungi decât pânzele obișnuite
- Riglă de ghidare pentru caneluri Y ⑨
  - pentru realizarea unor tăieturi exacte de-a lungul marginii piesei de prelucrat
  - poate fi introdusă în oricăr parte a reazemului
- Reglarea riglei de ghidare pentru caneluri
  - deșurubați butonul Z
  - reglați lățimea dorită de tăiere utilizând scala riglei de ghidare pentru caneluri (utilizați ca referință 0 vizor reglabil al liniei de tăiere Q)
  - strângeți butonul Z
- Tăierea în adâncime ⑩
  - setați adâncimea dorită de tăiere
  - înclinați scula în față spre vizor liniei de tăiere Q aliniat cu linia dorită de tăiere marcată pe piesă de prelucrat
  - deschideți dispozitivul de protecție inferior F cu maneta G
  - chiar înainte ca pânza să intre în piesa de prelucrat, conectați scula și treptat coborâți capătul din spate al sculei folosind partea din față a reazemului ca punct de basculare
  - treptat, mișcați scula în jos și înainte
  - de îndată ce pânza intră în material, eliberați maneta G
- ! **nu trageți niciodată scula înapoi**
- Tăierea panourilor mari ⑪
  - sprijiniți panoul aproape de tăietură fie pe pardoseală, fie pe masă sau pe bancul de lucru

- ! **setați адâncimea de tăiere astfel încât să străpungeți панолу și ну suportул**
- в cazul в care rigla de ghidare pentru caneluri ну permite лăтimea dorită де tăiere, fixați sau пріндеți в cuie о bucată dreaptă де lemn ca ghidaj, și folosiți partea dreaptă а reazемului față де acest ghidaj

## ÎНТРЕТІНЕРЕ / SERVICE

- Această sculă ну este destinată utilizării profesionale
- Пăстраți апаратул și каблul curat (mai ales fantele де ventilație)
- ! **deconectați де la priză в înainte де а curăța**
- Mențineți втотdeauna curată zona дин jurul dispozitivului де protecție inferior F ③ (eliminați прafул și аșchii prin suflare cu aer comprimat sau cu о perie)
- Curățați пăнза де ferăstrău imediat după utilizare (в special де rășini și clei)
- Dacă в ciuda procedeeilor де fabricație și control riguroase scula are totuși о pană, repararea acesteia се va face numai la un atelier де asistență service autorizat pentru scule electrice SKIL
- trimiteți scula **в totalitatea lui** cu bonul де cumpărare la distribuitorul sau la centrul де service SKIL cel mai apropiat (adrese și diagrame де service се găseasc www.skil.com)

## MEDIUL

- **Ну aruncați sculele electrice, accesoriile sau ambalajele direct la pubelele де gunoi** (numai pentru țările дин Comunitatea Europeană)
- Directiva Europeană 2012/19/EC face referire la modul де aruncare а echipamentelor electrice și electronice și modul де aplicare а normelor в conformitate cu legislația națională; sculele electrice в momentul в care au atins un grad avansat де uzură și trebuie aruncate, ele trebuie colectate separat și reciclate в втн-ун mod ce respectă normele де protecție а mediului ввconjurător
- simbolul ⑫ vă va reaminti acest lucru

## DECLARAȚІE DE CONFORMITATE CE

Ferăstrău circular 5665/5765

Date tehnice ①

- Declarăm пе proprie răspundere că produsul descris la paragraful "Date tehnice" este в conformitate cu următoarele standarde și documente normative: EN 60745, EN 61000, EN 55014 conform prevederilor directivelor 2014/30/UE, 2006/42/CE, 2011/65/UE
- **Documentație tehnică la:** SKIL Europe BV (PT-SEU/ENG1), 4825 BD Breda, NL

Marijn van der Hoofden  
Operations & Engineering

Olaf Dijkgraaf  
Approval Manager

SKIL Europe BV, 4825 BD Breda, NL

16.10.2014

## ZGOMOT/VIBRAȚІE

- Măsurat в conformitate cu EN 60745 nivelul де presiune а sunetului generat де acest instrument este де 97 dB(A) iar nivelul де putere а sunetului 108 dB(A) (abaterea standard: 3 dB), iar nivelul vibrațiilor \* m/s<sup>2</sup> (suma vectorială а trei direcții; incertitudine K = 1,5 m/s<sup>2</sup>)
  - \* când tăiați lemn 2,6 m/s<sup>2</sup>
  - \* când tăiați metale 2,2 m/s<sup>2</sup>
- Nivelul emisiilor де vibrații а fost măsurat в conformitate cu un test standardizat precizat в EN 60745; poate fi folosit pentru а compara о sculă cu alta și ca evaluare preliminară а expunerii la vibrații atunci când folosiți scula pentru aplicațiile menționate
  - utilizarea sculei pentru aplicații diferite sau cu accesoriilor diferite și prost втнреținute poate **crește** semnificativ nivelul де expunere
  - momentele в care scula este oprită sau când funcționează dar ну execută nicio lucrare, pot **reduce** semnificativ nivelul де expunere
- ! **protejați-vă втpotriva efectelor vibrațiilor prin втнреținerea sculei și а accesoriilor sale, păstrând mâinile calde și organizând procesele де lucru**

BG

## Ръчен циркуляр

5665/5765

## УВОД

- Този инструмент е предназначен за надлъжно и напречно рязане на дърво с право рязане, а също и с рязане под ъгъл 45°; с подходящи режещи дискове могат да се режат и цветни метали, леки строителни материали и пластмаси
- Този инструмент не е предназначен за професионална употреба
- Прочетете и пазете това ръководство за работа ②

## ТЕХНИЧЕСКИ ДАННИ ①

## БЕЗОПАСНОСТ

### ОБЩИ УКАЗАНИЯ ЗА БЕЗОПАСНА РАБОТА

**⚠ ВНИМАНИЕ! Прочетете внимателно всички указания.** Неспазването на приведените по долу указания може да доведе до токов удар, пожар и/или тежки травми. **Съхранявайте тези указания на сигурно място.** Използваният по-долу термин "електроинструмент" се отнася до захранвани от електрическата мрежа електроинструменти (със захранващ кабел) и до захранвани от акумулаторна батерия електроинструменти (без захранващ кабел).

### 1) БЕЗОПАСНОСТ НА РАБОТНОТО МЯСТО

- Поддържайте работното си място чисто и подредено.** Безпорядъкът или недостатъчното осветление могат да спомогнат за възникването на трудово злополука.
- Не работете с електроинструмента в среда с повишена опасност от възникване на експлозия, в близост до леснозапалими течности, газове**

- или прахообразни материали. По време на работа в електроинструментите се отделят искри, които могат да възпламят прахообразни материали или пари.
- c) **Дръжте деца и странични лица на безопасно разстояние, докато работите с електроинструмента.** Ако вниманието Ви бъде отклонено, може да загубите контрола над електроинструмента.
- 2) БЕЗОПАСНОСТ ПРИ РАБОТА С ЕЛЕКТРИЧЕСКИ ТОК**
- a) **Щепселът на електроинструмента трябва да е подходящ за ползвания контакт. В никакъв случай не се допуска изменение на конструкцията на щепсела. Когато работите със занулени електроуреди, не използвайте адаптери за щепсела.** Ползването на оригинални щепсели и контакти намалява риска от възникване на токов удар.
- b) **Избягвайте допира на тялото Ви до заземените тела, напр. тръби, отоплителни уреди, пещи и хладилници.** Когато тялото Ви е заземено, рискът от възникване на токов удар е по-голям.
- c) **Предпазвайте електроинструмента си от дъжд и влага.** Проникването на вода в електроинструмента повишава опасността от токов удар.
- d) **Не използвайте захранващия кабел за цели, за които той не е предвиден, напр. за да носите електроинструмента за кабела или да извадите щепсела от контакта. Предпазвайте кабела от нагриване, омасляване, допир до остри ръбове или до подвижни звена на машини.** Повредени или усукани кабели увеличават риска от възникване на токов удар.
- e) **Когато работите с електроинструмент навън, използвайте само удължителни кабели, предназначени за работа на открито.** Използването на удължител, предназначен за работа на открито, намалява риска от възникване на токов удар.
- f) **Ако се налага използването на електроинструмента във влажна среда, използвайте предпазен прекъсвач за утени токове.** Използването на предпазен прекъсвач за утени токове намалява опасността от възникване на токов удар.
- 3) БЕЗОПАСЕН НАЧИН НА РАБОТА**
- a) **Бъдете концентрирани, следете внимателно действията си и постъпвайте предпазливо и разумно. Не използвайте електроинструмента, когато сте уморени или под влиянието на наркотични вещества, алкохол или упойващи лекарства.** Един миг разсеяност при работа с електроинструмент може да има за последствие изключително тежки наранявания.
- b) **Работете с предпазващо работно облекло и винаги с предпазни очила.** Носенето на подходящи за ползвания електроинструмент и извършваната дейност лични предпазни средства, като дихателна маска, здрави плътнотатворени обувки със стабилен грайфер, защитна каска или шумозаглушители (антифони), намалява риска от възникване на трудова злополука.
- c) **Избягвайте опасността от включване на електроинструмента по невнимание. Преди да включите щепсела в захранващата мрежа или да поставите акумулаторната батерия, се уверявайте, че пусковият прекъсвач е в положение изключено.** Ако, когато носите електроинструмента, дръжте пръста си върху пусковия прекъсвач, или ако подавате захранващо напрежение на електроинструмента, когато е включен, съществува опасност от възникване на трудова злополука.
- d) **Преди да включите електроинструмента, се уверявайте, че сте отстранили от него всички помощни инструменти и гаечни ключове.** Помощен инструмент, забравен на въртящо се звено, може да причини травми.
- e) **Не надценявайте възможностите си. Работете в стабилно положение на тялото и във всеки момент поддържайте равновесие.** Така ще можете да контролирате електроинструмента по-добре и по-безопасно, ако възникне неочаквана ситуация.
- f) **Работете с подходящо облекло. Не работете с широки дрехи или украшения. Дръжте косата си, дрехите и ръкавици на безопасно разстояние от въртящи се звена на електроинструментите.** Широки дрехи, украшенията, дългите коси могат да бъдат захванати и увлечени от въртящи се звена.
- g) **Ако е възможно използването на външна аспирационна система, се уверявайте, че тя е включена и функционира изправно.** Използването на аспирационна система намалява рисковете, дължащи се на отделящата се при работа прах.
- 4) ВНИМАТЕЛНО ОТНОШЕНИЕ КЪМ ЕЛЕКТРОИНСТРУМЕНТИ**
- a) **Не претоварвайте електроинструмента.** Използвайте електроинструментите само съобразно тяхното предназначение. Ще работите по-добре и по-безопасно, когато използвате подходящия електроинструмент в зададения от производителя диапазон на натоварване.
- b) **Не използвайте електроинструмент, чиито пусков прекъсвач е повреден.** Електроинструмент, който не може да бъде изключван и включван по предвидения от производителя начин, е опасен и трябва да бъде ремонтиран.
- c) **Преди да промените настройките на електроинструмента, да замените работни инструменти и допълнителни приспособления, както и когато продължително време няма да използвате електроинструмента, изключвайте щепсела от захранващата мрежа и/или изваждайте акумулаторната батерия.** Тази мярка премахва опасността от задействане на електроинструмента по невнимание.
- d) **Съхранявайте електроинструментите на места, където не могат да бъдат достигнати от деца. Не допуснете те да бъдат използвани от лица, които не са запознати с начина на работа с тях и**

не са прочели тези инструкции. Когато са в ръцете на неопитни потребители, електроинструментите могат да бъдат изключително опасни.

- e) **Поддържайте електроинструментите си грижливо.** Проверявайте дали подвижните звена функционират безукорно, дали не заклинват, дали има ступени или повредени детайли, които нарушават или изменят функциите на електроинструмента. Преди да използвате електроинструмента, се погрижете повредените детайли да бъдат ремонтирани. Много от трудовите злополуки се дължат на недобре поддържани електроинструменти и уреди.
  - f) **Поддържайте режещи инструменти винаги добре заточени и чисти.** Добре поддържаните режещи инструменти с остри ръбове оказват по-малко съпротивление и се водят по-леко.
  - g) **Използвайте електроинструментите, допълнителните приспособления, работните инструменти и т.н., съобразно инструкциите на производителя.** С дейности и процедури, евентуално предписани от различни нормативни документи. Използването на електроинструменти за различни от предвидените от производителя приложения повишава опасността от възникване на трудови злополуки.
- ## 5) ПОДДЪРЖАНЕ
- a) **Допускайте ремонтът на електроинструментите Ви да се извършва само от квалифицирани специалисти и само с използването на оригинални резервни части.** По този начин се гарантира съхраняване на безопасността на електроинструмента.

## УКАЗАНИЯ ЗА БЕЗОПАСНА РАБОТА С ЦИРКУЛЯРИ

### 1) ТЕХНИКА НА РЯЗАНЕ

- a) **▲ ОПАСНОСТ :** Дръжте ръцете си на разстояние от зоната на рязане и от циркулярния диск. С втората си ръка дръжте спомагателната ръкохватка или корпуса на електродвигателя. Когато държите циркуляра с двете си ръце, няма опасност да ги нараните с режещия диск.
- b) **Не послагайте с ръце под обработвания детайл.** Предпазителят не може да ви защити от режещия диск под обработвания детайл.
- c) **Регулирайте дълбочината на рязане според дебелината на материала.** Оставете цял зъб да се показва от долната страна на материала.
- d) **Никога не дръжте разрязвания детайл на ръка или притиснат към крака си.** Осигурявайте детайла, като го захващате в стабилно приспособление. За да ограничите опасността от влизане в съприкосновение с тялото, заклиняване на режещия диск или загуба на контрол над електроинструмента, е важно да застопорите обработвания детайл добре.
- e) **Ано изпълнявате дейности, при които съществува опасност работният инструмент да попадне на скрити проводници под напрежение или да засегне захранващия кабел, допирайте електроинструмента само до**

електроизолираните ръкохватки. При влизане на работния инструмент в контакт с проводници под напрежение то се предава по металните детайли на електроинструмента и това може да доведе до токов удар.

- f) **При надлъжно рязане винаги използвайте предпазител против разкъсване или водач с прав ръб.** Това подобрява точността на рязане и понижава опасността от заклиняване на режещия диск.
- g) **Използвайте винаги режещи дискове с правилна големина и подходящ отвор (напр. звездобразен или кръгъл).** Режещи дискове, които не пасват точно на монтажните елементи на циркулярната машина, имат биене по време на работа и водят до загуба на контрол над електроинструмента.
- h) **Никога не използвайте повредени или изкривени шайби или болтове за прикрепване на режещия диск.** Шайбите и болта за прикрепване на диска са специално проектирани за този инструмент с цел максимално добра работа и безопасност.

## 2) ОБРАТНИ УДАРИ - ПРИЧИНИ ЗА ВЪЗНИКВАНЕ И МЕРКИ ЗА ПРЕДОТВРЯВАНЕ

- Обратният удар е внезапна реакция в резултат на затегнал, притиснат, заклинен или разцентрован режещ диск, предизвикваща неконтролируемо повдигане на инструмента над обработвания детайл и отскачането му в посока към оператора
  - Когато дискът е затегнал или заклинен поради стесняване на прореза, дискът блокира поради загуба на скорост и реакцията на мотора изтласква инструмента назад към оператора
  - Ако дискът се изкриви и разцентрова по време на рязане, зъбът от задната страна на диска може да се забие в горната повърхност на дървото, което предизвиква излизане на диска от прореза и отскачане назад към оператора
  - Обратният удар е резултат от неправилна работа с инструмента и/или неспазване на съответните процедури или условия на работа и може да бъде избегнат, като се вземат предпазните мерки, посочени по-долу
- a) **Дръжте здраво инструмента с две ръце и заемете такова положение, което да ви осигури устойчивост спрямо силите на обратния удар, застанете така, че тялото ви да бъде от едната страна на режещия диск, но не и в една линия с него.** При обратен удар инструмента може да отскочи назад, но това може да се овладее, ако се вземат необходимите предпазни мерки.
  - b) **При появата на признаци на заклиняване на диска или при прекъсване на работа по някаква причина освободете спусъка и задръжте инструмента неподвижен в материала до пълно спиране на въртенето на режещия диск. Не се опитвайте да извадите режещия диск от обработвания материал или да издърпате инструмента назад, докато дискът е в движение – това може да предизвика обратен удар.** Проверете и отстранете причините за заклиняване на диска. Избягвайте да режете гвоздеи или винтове.

- c) **При рестартиране на инструмента в обработвания материал центрирайте режещия диск в прореза и проверете дали зъбите на диска не са захванали материала.** При заклнване на диска той може рязко да излезе от материала при рестартиране на инструмента.
- d) **Подпирайте широките плоскости, за да избегнете риска от затягане и обратен удар на режещия диск.** Големите плоскости обикновено провисват под въздействие на собствената си тежест. От двете им страни се поставят подпори близо до линията на рязане и близо до ръба на плоскостта.
- e) **Не използвайте затъпен или повреден режещ диск.** Незаточените или неправилно поставени дискове правят тесни прорези, което предизвиква прекомерно триене, заклнване на диска и обратни удари.
- f) **Лостовите за регулиране на дълбочината и ъгъла на рязане следва да са здраво затегнати преди започване на работа.** Ако регулировката на диска се промени по време на рязане, това може да предизвика заклнване и обратен удар.
- g) **Бъдете особено предпазливи при разрязване в съществуващи стени или други елементи, под чиято повърхност може да има скрити чужди тела.** Врязващият се циркулярен диск може да попадне на скрит обект, да блокира и да предизвика обратен удар.
- 3) ФУНКЦИЯ НА ДОЛНИЯ ПРЕДПАЗЕН КОЖУХ**
- a) **Преди работа проверявайте дали долният предпазител е добре затворен. Не работете с инструмента ако долният предпазител не се движи свободно и не се затваря веднага. Никога не фиксирайте и не заклнвайте долния предпазител в отворено положение.** Ако инструментът случайно падне, долният предпазител може да се изкриви. Изключете щепсела, вдигнете долния предпазител с помощта на прибиращата дръжка и се уверете, че се движи свободно и не се допира до режещия диск или до други части при всички ъгли и дълбочини на рязане.
- b) **Проверете действието на пружината на долния предпазител. Ако предпазителят или пружината не работят както трябва, причината за това трябва да се отстрани преди употреба.** Долният предпазител може да работи трудно поради повредени части, замърсяване или натрупване на отпадък.
- c) **Долният предпазител се прибира ръчно само при специални видове рязане, като обработка с връзване и сложно рязане. Вдигнете долния предпазител чрез прибиращата дръжка и веднага щом режещия диск навлезе в материала, освободете долния предпазител.** При всички останали видове рязане долният предпазител работи автоматично.
- d) **Винаги проверявайте дали долният предпазител покрива режещия диск, преди да оставите инструмента на работната маса или на пода.** Въртящият се по инерция незащитен диск предизвиква движение на инструмента назад, като

при това свое движение прерязва всичко по пътя си. Съобразявайте се с времето, необходимо за окончателно спиране въртенето на диска след изключване.

## ДОПЪЛНИТЕЛНИ УКАЗАНИЯ ЗА БЕЗОПАСНА РАБОТА

### ОБЩИ

- Машината не трябва да се използва от лица под 16 години
- Този инструмент не е подходящ за мокро рязане
- **Преди извършването на каквато и да било настройка или смяна на принадлежност винаги изваждайте щепсела от контакта на електрорезачката**
- Не използвайте инструмента, когато е повреден шнурът; замената му следва да се извърши от квалифицирано лице
- **Не обработвайте азбестосъдържащ материал** (азбестът е канцерогенен)
- Прахът от някои материали, като например съдържаща олово боя, някои видове дървесина, минерали и метали може да бъде вреден (контакт или вдишване на такъв прах могат да причинят алергични реакции и/или респираторни заболявания на оператора или стоящите наблизо лица); **използвайте противпрахова масна и работете с аспириращо прахта устройство, когато такова може да бъде свързано**
- Определени видове прах са класифицирани като карциногенни (като прах от дъб и бук) особено когато са комбинирани с добавки за подобряване на състоянието на дървесината; **използвайте противпрахова масна и работете с аспириращо прахта устройство, когато такова може да бъде свързано**
- Следвайте дефинираните по БДС изисквания относно запаршеността за материалите, които желаете да обработвате
- Използвайте само маса за рязане, снабдена с ключ, който не позволява повторен пуск на двигателя след прекъсване на напрежението
- Използвайте само маса за рязане, снабдена с водач на прореза

### ДОПЪЛНИТЕЛНИ АКСЕСОАРИ

- SKIL може да осигури безаварийна работа на електроинструмента само ако се използват оригинални допълнителни приспособления
- Използвайте само принадлежности, чиято допустима скорост на въртене е поголяма или равна на максималната скорост на въртене на празен ход на електроинструмента
- **Използвайте само режещи дискове с диаметър от 170 мм, максимален диаметър от 170 мм и отвор на шпиндела от 16 мм**
- Никога не използвайте режещи дискове, изработени от възрорежеща стомана (HSS)
- С този инструмент никога не използвайте шлифовачи/режещи дискове

### ПРЕДИ УПОТРЕБА

- Преди включване на инструмента в контакта се уверете, че мрежовото напрежение отговаря на

напрежението, обозначено на фирмената табелка на инструмента (инструменти с номинално напрежение 230V или 240V могат да бъдат включени и към захранване с напрежение 220V)

- Избягвайте повреди, които могат да бъдат причинени от винтове, гвоздеи и други метални елементи в обработвания детайл; отстранете ги преди да започнете работа
- Премахнете всички препятствия върху повърхността, а също и под пътя на рязане, преди да започнете рязането
- **Обезопасете работния материал** (материал, затегнат в затягащ инструмент или в менгеме е по-устойчив, отколкото ако се държи в ръка)
- **За да откриете скрити под повърхността електро-, водо- и газопроводи, използвайте подходящи уреди или се обърнете към местното снабдително дружество** (прекъсването на електропроводници под напрежение може да предизвика пожар и/или токов удар; увреждането на газопровод може да предизвика експлозия; засягането на водопровод може да предизвика значителни материални щети и/или токов удар)
- Използвайте напълно развити и безопасени разклонители с капацитет 16 A

#### ПРИ УПОТРЕБА

- При работа нивото на шума може да надвиши 85 dB(A); носете антифони
- Не използвайте никога инструмента без оригиналната му предпазна система
- Не правете опити да режете извънредно малки детайли
- Не работете с инструмента над глава
- В случай на заяждане или електрическа или механична неизправност незабавно изключете инструмента и извадете щепсела от контакта
- Ако кабелът се повреди ил среже по време на работа, не го докосвайте, веднага изключете щепсела, никога не използвайте инструмента с повреден кабел

#### СЛЕД РАБОТА

- Преди да приберете инструмента, изключете мотора и се уверете, че всички движещи се части са преустановили движението
- След изключване на циркуляра никога не спирайте въртенето на диска чрез прилагане на странична сила върху него

#### УПОТРЕБА

- Поставяне на режещия диск ③
  - ! **изключете щепсела**
  - вземете шестостенния ключ А от комплекта В
  - натиснете блокиращия въртенето бутон С и го задръжте, за да извадите болта на диска D, като го отвиете в посока на часовниковата стрелка с шестостенен ключ
  - ! **натиснете блокиращия въртенето бутон С само когато инструментът е напълно спрял**
  - освободете блокиращия въртенето бутон С
  - извадете фланеца E
  - отворете долния предпазител F с лостчето G и го задръжте, докато поставите режещия диск, така

че режещите зъбци и стрелката върху диска да сочат в същата посока, както и стрелката върху горния предпазител

- освободете долния предпазител F
- поставете фланеца E
- ! **проверете дали затягащите повърхности H на фланците са свършено чисти и с лице към диска**
- натиснете блокиращия въртенето бутон С и задръжте, докато затегнете болта на диска в посока с шестостенен ключ, 1/8 оборота след позицията на ръчно затягане (позволява приплъзване на режещия диск при голямо съпротивление, което намалява претоварването на мотора и силата на обратния удар)
- освободете блокиращия въртенето бутон С
- Регулиране на дълбочината на рязане (0-65 mm) ④
  - за рязане с оптимално качество режещият диск не трябва да се издава на повече от 3 mm отдолу на обработвания детайл
  - разхлабете копчето J
  - повдигнете/свалете опората K, докато на скалата бъде нагласен дълбочина на рязане, като използвате индикатора L
  - затегнете копчето J
- Регулиране на ъгъла на рязане (0-45°) ⑤
  - разхлабете копчето M
  - наклонете инструмента, докато на скалата бъде нагласен ъгълът на рязане, като използвате индикатора N
  - затегнете копчето M
  - ! **при рязане на скосявания, дълбочината на рязане не съответства на стойността на скалата за дълбочина на рязане**
- Проверка на ъгъл на рязане 90° ⑤
  - настройте и затегнете опората K до максимална дълбочина на рязане ④
  - настройте и затегнете ъгъла на рязане на 0°
  - проверете наличието на 90° ъгъл между режещия диск и долната част на опората с ъгълник
  - ако е необходимо регулиране, разхлабете копчето M и използвайте регулиращия винт P както е показано
- Регулираем маркер на линията на среза Q ⑥a
  - за водене на инструмента по желаната линия на рязане, отбелязана върху детайла
  - за право рязане под ъгъл 0° или рязане на скосявания под ъгъл 45° използвайте съответната индикаторна линия
- ! **широката част на опората трябва да легне върху поддържаната страна на обработвания детайл**
- може да се регулира, така че да изберете дали отпадъчният материал да бъде от вътрешната или от външната страна на режещия диск ⑥b
- ! **ширината на рязане се определя от ширината на зъбите на диска, а не от ширината на тялото на диска**
- ! **винаги първо извършвайте пробни рязания, за да проверите действителната линия на рязане**



- Изсмукване на праха
  - включете прахосмукачката към щуцера R ⑦
  - ! **внимавайте тръбата на прахосмукачката да не пречи на долния предпазител или на операцията на рязане**
  - можете да използвате прахоуловителна торба (аксесоар SKIL 2610387402)
  - ! **не използвайте торбичката за прах/прахосмукачката, когато режете метал**
- Работа с инструмента ⑦
  - включете щепсела на контакта на електрозахранването
  - винаги дръжте дръжката S здраво с една ръка, а дръжката T здраво с другата ръка
  - поставете инструмента с предната част на опората плътно върху обработвания детайл
  - ! **уверете се, че зъбите на циркуляра не са опрени в обработвания детайл**
  - включете инструмента, като първо натиснете копчето V (= защитен превключвател, който не може да се блокира) а след това дръпнете спусъка W
  - ! **преди режещият диск да влезе в детайла, инструментът трябва да работи на пълна скорост**
  - долният предпазител F се отваря автоматично, когато режещият диск влезе в обработвания детайл (за специални рязания, например рязане на вътрешни прорези)
  - ! **не насилвайте инструмента** (приложете лек и непрекъснат натиск, за да не прегреят върховете на режещите острия и в случай, че се реже пластмаса – да не се топи материалът)
  - ! **по време на работа, винаги дръжте уреда за оцветената(ите) в сиво зона(и) за хващане**
  - след завършване на рязането, изключете инструмента чрез освобождаване на спусъка W
  - ! **преди да вдигнете инструмента от детайла се уверете, че режещият диск е в пълен покой**

## УКАЗАНИЯ ЗА РАБОТА

- Когато използвате направляваща (аксесоар на SKIL 2610Z04064) в комбинация с адаптер, дълбочината на среза ще се намали с 14 mm както за срезове под наклон 90°, така и за срезове под наклон 45°
- Винаги обръщайте добрата страна на обработвания детайл надолу, за да осигурите минимално отцепване на трески
- Използвайте само остри режещи дискове от подходящ тип ⑧
  - качеството на рязане се подобрява при по-голям брой на зъбите
  - режещи дискове с карбиден връх остават остри до 30 пъти по-дълго време от обикновените режещи дискове
- Предпазител против разкъсване Y ⑨
  - за извършване на точни рязания по продължение на ръба на детайла
  - може да се поставя и на двете страни на опората
 Настройка на предпазителя против разкъсване
  - разхлабете копчето Z

- регулирайте до желаната ширина на рязане, като използвате скалата на предпазителя против разкъсване (използвайте линията на среза Q като 0-еталон)
- затегнете копчето Z
- Рязане на вътрешни прорези ⑩
  - задайте желаната дълбочина на рязане
  - наклонете инструмента към линията на среза Q подравнен с желаната линия за рязане, маркирана на обработвания продукт
  - отворете долния предпазител F с лостчето G
  - точно преди режещият диск да влезе в обработвания детайл, включете инструмента и постепенно наведете задния край на инструмента, като използвате предния край на опората като точка на въртене
  - постепенно преместете инструмента надолу, а също и напред
  - веднага щом режещият диск навлезе в материала, освободете лостчето G
  - ! **никога не дърпайте инструмента назад**
- Рязане на големи табла ⑪
  - поставете таблото на стойка близо до мястото на рязане или на пода, масата или тезгяха
  - ! **настройте дълбочината на рязане така, че да режете през таблото, а не през стойката**
  - в случай, че предпазителят против разкъсване не позволява желаната ширина на рязане, стегнете или приковете право парче дърво към обработвания детайл като водач и използвайте дясната страна на опората срещу този водач

## ПОДДРЪЖКА / СЕРВИС

- Този инструмент не е предназначен за професионална употреба
- Поддържайте винаги електроинструмента и хранящия кабел чисти (особено вентилационните отвори)
  - ! **преди почистване изключете щепсела**
- Винаги поддържайте чиста зоната около долния предпазител F ③ (отстранете чрез обдухване със сгъстен въздух или с четка праха и стърготините)
- Почиствайте режещия диск непосредствено след употреба (особено от смола и лепило)
- Ако въпреки прецизното производство и внимателно изпитване възникне повреда, инструмента да се занесе за ремонт в оторизиран сервис за електроинструменти на SKIL
  - занесете инструмента в неразглобен вид заедно с доказателство за покупката му в търговския обект, откъдето сте го закупили, или в най-близкия сервис на SKIL (адресите, както и схемата за сервисно обслужване на електроинструмента, можете да намерите на адрес [www.skil.com](http://www.skil.com))

## ОПАЗВАНЕ НА ОКОЛНАТА СРЕДА

- **Не изхвърляйте електроуредите, приспособленията и опаковките заедно с битови отпадъци** (само за страни от ЕС)

- съобразно Директивата на ЕС 2012/19/EG относно износени електрически и електронни уреди и отразяването ѝ в националното законодателство износените електроуреди следва да се събират отделно и да се предават за рециклиране според изискванията за опазване на околната среда
- за това указва символът ⑫ тогава когато трябва да бъдат унищожени

## ДЕКЛАРАЦИЯ ЗА СЪОТВЕТСТВИЕ CE

Ръчен циркуляр 5665/5765

Технически данни ①

- С пълна отговорност ние декларираме, че описаният в "Технически данни" продукт съответства на следните стандарти или нормативни документи: EN 60745, EN 61000, EN 55014 съгласно изискванията на директиви 2014/30/ЕС, 2006/42/EG, 2011/65/ЕС
- **Подробни технически описания при:** SKIL Europe BV (PT-SEU/ENG1), 4825 BD Breda, NL

Marijn van der Hoofden  
Operations & Engineering

Olaf Dijkgraaf  
Approval Manager

SKIL Europe BV, 4825 BD Breda, NL

16.10.2014

## ШУМ/ВИБРАЦИИ

- Измерено в съответствие с EN 60745 нивото на звуково налягане на този инструмент е 97 dB(A) а нивото на звукова мощност е 108 dB(A) (стандартно отклонение: 3 dB), а вибрациите са \*  $m/c^2$  (векторната сума по трите направления; неопределеност  $K = 1,5 m/c^2$ )
  - \* при рязане на дърво 2,6  $m/c^2$
  - \* при рязане на метал 2,2  $m/c^2$
- Нивото на предадените вибрации е измерено в съответствие със стандартизирания тест, определен в EN 60745; то може да се използва за сравнение на един инструмент с друг и като предварителна оценка на подлагането на вибрации при използването на инструмента за посочените приложения
  - използването на инструмента за различни от тези приложения или с други, или лошо поддържани аксесоари може значително **да повиши** нивото на което сте подложени
  - периодите от време, когато инструмента е изключен или съответно включен, но с него не се работи в момента могат значително **да намалят** нивото на което сте подложени
- ! **предпазвайте се от ефектите от вибрациите, като поддържате инструмента и аксесоарите му, пазете ръцете си топли и организирате вашите модели на работа**

SK

Окружна пила

5665/5765

## ÚVOD

- Toto náradie je určené pre pozdĺžne a priečne rezanie dreva priamymi rezními a tiež rezními pod uhlami do 45°; s príslušnými rezacími kotúčom je možné rezať aj neželezné kovy, ľahké stavebné materiály a plasty
- Tento nástroj nie je vhodný pre profesionálne použitie
- Prečítajte a uschovajte tento návod na použitie ②

## TECHNICKÉ ÚDAJE ①

## BEZPEČNOSŤ

### VŠEOBECNÉ BEZPEČNOSTNÉ POKYNY

**⚠ POZOR! Prečítajte si všetky výstražné upozornenia a bezpečnostné pokyny.** Zanedbanie dodržiavania výstražných upozornení a pokynov uvedených v nasledujúcom texte môže mať za následok zásah elektrickým prúdom, spôsobiť požiar a/alebo ťažké poranenie. **Tieto výstražné upozornenia a bezpečnostné pokyny starostlivo uschovajte na budúce použitie.** Pojem ručné "elektrické náradie" používaný v nasledujúcom texte sa vzťahuje na ručné elektrické náradie napájané zo siete (s prírodnou šnúrou) a na ručné elektrické náradie napájané akumulátorovou batériou (bez prírodnej šnúry).

### 1) BEZPEČNOSŤ NA PRACOVISKU

- Udržiavajte svoje pracovisko čisté a upratané.** Neporiadok na pracovisku alebo neosvetlené časti pracoviska môžu viesť k úrazom.
- Nepracujte elektrickým náradím v prostredí ohrozenom výbuchom, v ktorom sa nachádzajú horľavé kvapaliny, plyny alebo prach.** Elektrické náradie produkuje iskry, ktoré môžu prach alebo pary zapáliť.
- Deti a iné osoby udržiavajte počas práce od ručného elektrického náradia v dostatočnej vzdialenosti.** V prípade odpuťania Vašej pozornosti by ste mohli stratiť kontrolu nad náradím.

### 2) ELEKTRICKÁ BEZPEČNOSŤ

- Zástrčka prírodnej šnúry sa musí hodiť do napájacej zásuvky. Zástrčka sa v žiadnom prípade nesmie meniť.** Pri uzemnených spotrebičoch nepoužívajte spolu s nimi žiadne adaptéry. Nezmenená zástrčka a vhodná zásuvka znižujú riziko zásahu elektrickým prúdom.
- Vyhýbajte sa telesnému kontaktu s povrchovými plochami uzemnených spotrebičov, ako sú elektrické rúry, vyhrievacie telesá, sporáky a chladničky.** Keď je Vaše telo uzemnené, riziko zásahu elektrickým prúdom je vyššie.
- Chráňte ručné elektrické náradie pred dažďom a vlhkom.** Vniknutie vody do ručného elektrického náradia zvyšuje riziko zásahu elektrickým prúdom.

- d) **Nepoužívajte prírodnú šnúru na prenášanie náradia, na jeho vešanie, ani za ňu nevyťahujte zástrčku zo zásuvky.** Prírodnú šnúru chráňte pred horúčavou, olejom, ostrými hranami alebo pohybujúcimi sa časťami náradia. Poškodené alebo zauzlené šnúry zvyšujú riziko zásahu elektrickým prúdom.
- e) **Ak pracujete s ručným elektrickým náradím vonku, používajte len také predlžovacie šnúry, ktoré sú schválené pre používanie vo vonkajších priestoroch.** Používanie predlžovacej šnúry určenej do vonkajšieho prostredia znižuje riziko zásahu elektrickým prúdom.
- f) **Ak sa nedá vyhnúť použitiu ručného elektrického náradia vo vlhkom prostredí, použite prerušovač uzemňovacieho obvodu.** Používanie prerušovača uzemňovacieho obvodu znižuje riziko zásahu elektrickým prúdom.

### 3) BEZPEČNOSŤ OSÔB

- a) **Buďte pozorní, dávajte pozor na to, čo robíte a k práci s elektrickým náradím pristupujte rozumne. Nepoužívajte elektrické náradie, keď ste unavení alebo keď ste pod vplyvom drog, alkoholu alebo liekov.** Chvíľa nepozornosti pri používaní náradia môže viesť k vážnym poraneniam.
- b) **Noste osobné ochranné pomôcky, ochranný odev a vždy majte nasadené ochranné okuliare.** Nosenie pracovného odevu a používanie ochranných pomôcok ako ochranné dýchacej masky, bezpečnostných protišmykových topánok, prilby alebo chrániča sluchu, podľa druhu elektrického náradia, znižuje riziko poranenia.
- c) **Vyhýbajte sa neúmyselnému uvedeniu ručného elektrického náradia do činnosti. Pred zasunutím zástrčky do zásuvky a/alebo pred pripojením akumulátora, pred chytením alebo prenášaním ručného elektrického náradia sa vždy presvedčte sa, či je ručné elektrické náradie vypnuté.** Ak budete mať pri prenášaní ručného elektrického náradia prst na vypínači, alebo ak ručné elektrické náradie pripojíte na elektrickú sieť zapnutú, môže to mať za následok nehodu.
- d) **Skôr ako ručné elektrické náradie zapnete, odstráňte nastavovacie a montážne nástroje.** Nástroj alebo kľúč, ktorý sa nachádza v pohyblivej časti náradia, môže spôsobiť poranenie.
- e) **Neprečunujte sa. Zabezpečte si pevný postoj a neprestajne udržiavajte rovnováhu.** Takto budete môcť ručné elektrické náradie v neočakávaných situáciách lepšie kontrolovať.
- f) **Pri práci noste vhodný pracovný odev. Nenoste široké odevy a nemajte na sebe šperky.** Dbajte na to, aby ste mali vlasy, odev a rukavice v dostatočnej vzdialenosti od pohybujúcich sa častí náradia. Pohybujúce sa časti náradia by mohli zachytiť voľné oblečenie, šperky alebo dlhé vlasy.
- g) **Ak možno namontovať zariadenie na odsávanie alebo zachytávanie prachu, presvedčte sa, či je pripojené a správne použité.** Používanie odsávacieho zariadenia a zariadenia na zachytávanie prachu znižuje riziko ohrozenia zdravia prachom.

### 4) STAROSTLIVÉ ZAOBCHÁDZANIE S ELEKTRICKÝM NÁRADÍM A JEHO POUŽÍVANIE

- a) **Náradie nepreťažujte.** Pre svoju prácu používajte určené elektrické náradie. Pomocou vhodného ručného elektrického náradia budete môcť v uvedenom rozsahu výkonu pracovať lepšie a bezpečnejšie.
- b) **Nepoužívajte žiadne ručné elektrické náradie, ktoré má pokazený vypínač.** Ručné elektrické náradie, ktoré sa už nedá zapínať alebo vypínať, je nebezpečné a treba ho dať opraviť.
- c) **Skôr ako začnete náradie nastavovať alebo prestavovať, vymieňať príslušenstvo alebo skôr, ako odložíte náradie, vždy vytiahnite zástrčku sieťovej šnúry zo zásuvky.** Toto bezpečnostné opatrenie zabraňuje neúmyselnému spusteniu náradia.
- d) **Nepoužívané ručné elektrické náradie uschovávajte mimo dosahu detí. Nedopusťte, aby ručné elektrické náradie používali osoby, ktoré s ním nie sú dôkladne oboznámené, alebo ktoré si neprečítali tento Návod na používanie.** Ak ručné elektrické náradie používajú neskúsené osoby, stáva sa nebezpečným nástrojom.
- e) **Elektrické náradie starostlivo ošetrujte. Skontrolujte, či pohyblivé súčiastky náradia bezchybne fungujú a neblokujú a či nie sú zlomené alebo poškodené niektoré súčiastky, ktoré by mohli negatívne ovplyvniť fungovanie ručného elektrického náradia. Pred použitím ručného elektrického náradia dajte poškodené súčiastky opraviť.** Nejedyn úraz bol spôsobený zle udržiavaným náradím.
- f) **Používané nástroje udržiavajte ostré a čisté.** Starostlivo ošetrované nástroje s ostrými reznými hranami sa menej často blokujú a ich vedenie je podstatne ľahšie.
- g) **Používajte ručné elektrické náradie, príslušenstvo, pracovné nástroje a pod. podľa týchto pokynov. Zohľadnite pritom konkrétne pracovné podmienky a činnosť, ktorú máte vykonať.** Používanie ručného elektrického náradia na iné ako určené účely môže viesť k nebezpečným situáciám.

### 5) SERVIS

- a) **Ručné elektrické náradie zverte do opravy len kvalifikovanému personálu a používajte len originálne náhradné súčiastky.** Tým sa zabezpečí zachovanie bezpečnosti ručného elektrického náradia.

### BEZPEČNOSTNÉ POKYNY PRE KOTUČOVÉ PÍLY

#### 1) PÍLENIE

- a) **NEBEZPEČENSTVO : Nedávajte ruky do pracovného priestoru píly ani k pílovému listu.** Druhou rukou držte prídavnú rukoväť náradia alebo teleso motora. Keď držíte elektrickú pílu oboma rukami, pílový list Vám ich nemôže poraniť.
- b) **Nepokúste sa chytiť opracovaný predmet zospodu.** Ochranný kryt Vás nechráni pred kotúčom pod opracovaným predmetom.
- c) **Nastavte hĺbku rezu podľa hrúbky opracúvaného materiálu.** Menej ako celý zub pílového kotúča by mal byť viditeľný pod obrobkom.
- d) **Nikdy nedržte pri rezaní obrobok v ruke ani ho nepridržiavajte nad nohou.** Zabezpečte obrobok na nejakom stabilnom podklade, stabilným upevnením.

Je dôležité, aby bol obrobok dobre upevnený a aby sa na minimum zmenšilo nebezpečenstvo kontaktu s telom, zablokovania pílového listu alebo možnosť straty kontroly nad náradím.

- e) **Elektrické náradie držte za izolované plochy rúk pri vykonávaní takej práce, pri ktorej by mohol rezací nástroj natrafiť na skryté elektrické vedenia alebo zasiahnuť vlastnú prívodnú šnúru náradia.** Kontakt s vedením, ktoré je pod napätím, spôsobí, že aj kovové súčiastky náradia sa dostanú pod napätie, čo má za následok zásah obsluhujúcej osoby elektrickým prúdom.
- f) **Pri rozrezávaní vždy použite ohradu na rezanie alebo vodiťko na rovné pílenie.** Reže bude presnejší a je menej pravdepodobné, že sa kotúč zasekne.
- g) **Používajte vždy pílové listy správnej veľkosti a s vhodným upínacím otvorom (napríklad hviezdicovým alebo okrúhlym).** Pílové listy, ktoré sa nehodia k montážnym súčiastkam píly, nebežia celkom rotačne a spôsobia stratu kontroly obsluhy na náradím.
- h) **Nikdy nepoužívajte poškodené alebo nesprávne podložky alebo skrutky pre kotúče.** Podložky a skrutky kotúčov boli zvlášť navrhnuté pre vašu pílu na dosiahnutie optimálneho výkonu a bezpečnej prevádzky.

## 2) SPÄTNÝ RÁZ - PRÍČINY A ZODPOVEDAJÚCE UPOZORNENIA

- Spätný ráz je náhla reakcia ak je kotúč zachytený, uviaznutý alebo nesprávne zoradený, spôsobí, že sa nekontrolovane píla zodvihne z opracovaného predmetu smerom k pracovníkovi
  - Ak kotúč uviazne alebo sa zasekne do zárezu, ak sa zastaví a motor reaguje tak, že sa píla hýbe smerom dozadu k pracovníkovi
  - Ak sa kotúč začne skrúcať alebo je nevyrovnaný v reze tak zuby na zadnej strane kotúča sa môžu zaseknúť hlboko do povrchu dreva a kotúč môže potom výstř z vrubu a skočiť dozadu na pracovníka
  - K spätnému rázu dojde následkom nepravého použitia nástroja a/alebo nepravého prevádzky alebo podmienok; spätnému rázu je možné predísť ak sa dodržia dole uvedené opatrenia
- a) **Držte pílu pevne oboma rukami a postavte sa telom tak, aby Vaše rameno mohlo odporovať sile spätného rázu. Postavte sa na ktorúkoľvek stranu kotúča, ale nie v tej istej línii ako kotúč.** Spätný ráz môže spôsobiť to, že píla náhle vyskočí dozadu, ale pracovník môže kontrolovať silu spätného rázu ak sa urobia vhodné opatrenia.
  - b) **Ak sa kotúč zasekne alebo ak sa rezanie preruší z akéhokoľvek dôvodu, uvoľnite spúšť a držte pílu bez pohybu v materiáli až kým sa kotúč úplne zastaví. Nikdy sa nepokúste vybrať pílu z opracovaného predmetu alebo vytiahnuť pílu dozadu kým sa kotúč otáča aby nedošlo k spätnému rázu.** Skontrolujte opracovaný kus a upravte ho aby nedošlo k uviaznutiu kotúča. Vyhnite sa prerezaniu skrutiek alebo klinčov.
  - c) **Keď znovu začnete píliť opracovaný kus, umiestnite pílový kotúč do vrubu a skontrolujte, či sa zuby píly voľne hýbu v materiáli.** Ak kotúč uviazne, môže vyskočiť alebo spôsobiť spätý ráz z opracovaného kusu keď sa píla znovu zapne.

d) **Podporte veľké panely aby sa minimalizovalo riziko zaseknutia kotúča a spätného rázu.** Veľké panely sa často ohnú pod vlastnou váhou. Obe strany panelu sa musia podporiť blízko čiar rezu a pri hranách panelu.

- e) **Nepoužívajte tupé alebo poškodené kotúče.** Nenaostrené alebo nesprávne nastavené kotúče vytvoria úzky vrub, spôsobujúci príliš veľké trenie, uviaznutie kotúča a spätný ráz.
- f) **Zamykajúce páky na nastavenie hábky kotúča a úkosu sa musia tesne pripevniť pred začatím rezania.** Ak sa nastavenie kotúča pošmykne počas rezania, môže spôsobiť uviaznutie kotúča a spätný ráz.
- g) **Mimoriadne opatrný treba byť pri rezaní do existujúcich (neznamých) stien alebo do iných neprehľadných miest.** Zapichovaný pílový list môžu pri pílení zablokovať rôzne skryté objekty, čo môže spôsobiť spätý ráz.

## 3) FUNKCIA DOLNÉHO OCHRANNÉHO KRYTU

- a) **Pred každým použitím skontrolujte, či je kryt správne zavretý. Pílu nezapnite ak sa dolný ochranný kryt voľne nepohybuje a ihneď nezavre. Nikdy nepripevňte alebo nepriviažte dolný ochranný kryt do otvorenej pozície.** Ak píla náhodou spadne je možné, že sa kryt ohne. Odpojte zástrčku, zodvihnite kryt so zatáhovacou rukoväťou a skontrolujte, či sa voľne pohybuje a nedotýka sa kotúča alebo inej časti, pri rezaní pod akýmkoľvek uhlom a do akejkoľvek hábky.
- b) **Skontrolujte, či pružina na dolnom ochrannom kryte funguje. Ak kryt a pružina nefungujú správne tak sa musia pred použitím opraviť.** Dolný ochranný kryt sa možno hýbe pomaly lebo niektoré časti sú poškodené, alebo zašpinené.
- c) **Dolný ochranný kryt by sa mal dať ručne dole len pre špeciálne rezy, ako napr. zapichovacie a kombinované rezy. Zodvihnite dolný ochranný kryt stiahnutím rukoväte a akonáhle sa kotúč dostane do materiálu, kryt sa musí uvoľniť.** Pre všetky ostatné pílenia by mal kryt fungovať automaticky.
- d) **Vždy dajte pozor aby dolný ochranný kryt kryl kotúč prv než položíte pílu na pracovný povrch alebo na zem.** Nechránený otáčajúci sa kotúč spôsobí, že sa píla pohne dozadu, bude rezať všetko, čo je jej v ceste, uvedomte si, že chvíľu trvá kým sa kotúč zastaví po vypnutí vypínača.

## ĎALŠIE VÝSTRAŽNÉ UPOZORNENIA

### VŠEOBECNE

- Tento nástroj by nemali používať osoby mladšie ako 16 rokov
- Tento stroj nie je vhodný pre rezanie za mokra
- **Pri nastavovaní alebo výmene príslušenstva vždy vytiahnite prívodný kábel zo zásuvky**
- Nikdy nepoužívajte nástroj ak je šnúra poškodená; šnúru musí vymeniť kvalifikovaná osoba
- **Neobrábajte materiál, ktorý obsahuje azbest** (azbest sa považuje za rakovinotvorný materiál)
- Prach z materiálu, akým je náter obsahujúci olovo, niektoré druhy dreva, minerály a kovy môže byť škodlivý (styk alebo nadýchanie prachu môže spôsobiť alergické reakcie a/alebo respiračné ochorenia obsluhy a okolostojacích osôb); **používajte ochrannú masku**

## tváre a pracujte so zariadením na odsávanie prachu, ak je takéto zariadenie možné pripojiť

- Určité druhy prachu sú klasifikované ako karcinogénne (akým dubový a bukový prach), a to hlavne v spojení s prísadami pre úpravu dreva; **používajte ochrannú masku tváre a pracujte so zariadením na odsávanie prachu, ak je takéto zariadenie možné pripojiť**
- Dodržujte stanovené nariadenia pre prácu v prašnom prostredí
- Používajte len rezací stôl vybavený vypínačom zabráňujúcim spusteniu motora po prerušení prívodu elektrickej energie
- Používajte len rezací stôl vybavený vedením rezu

## PRÍSLUŠENSTVO

- SKIL zabezpečí hladký chod nástroja len ak sa používa pôvodné príslušenstvo
- Používajte iba príslušenstvo, u ktorého hodnota prípustných obrátok zodpovedá minimálne najvyšším obrátkam náradia
- **Používajte len pílové kotúče s minimálnym priemerom 170 mm, maximálnym priemerom 184 mm a hriadeľovým otvorom 16 mm**
- Nikdy nepoužívajte pílové kotúče vyrobené z rýchloreznej ocele (HSS)
- Nikdy nepoužívajte brúsne/rezacie kotúče s týmto nástrojom

## PRED POUŽITÍM

- Vždy skontrolujte či je napájacie napätie rovnaké ako napätie uvedené na štítku nástroja (nástroj s menovitým napätím 230V alebo 240V môžete pripojiť aj do siete s napätím 220V)
- Zabráňte poškodeniu náradia skrutkami, kľincami a inými kovovými predmetmi v obrobru; zoberte ich dole prv než začnete pracovať
- Predtým než začnete rezať, odstráňte všetky prekážky na vrchnej a spodnej strane reznej dráhy
- **Zaistite obrábaný diel** (obrábaný diel uchytený pomocou upínacích zariadení alebo vo zveráku je oveľa bezpečnejší kým v ruke)
- **Na vyhladenie skrytých elektrických vedení, plynových a vodovodných potrubí použite vhodné hľadacie prístroje, alebo sa spojte s príslušným dodávateľom** (kontakt s elektrickým vedením môže mať za následok vznik požiaru alebo spôsobiť zásah elektrickým prúdom; poškodenie plynového potrubia môže spôsobiť výbuch; prevrtávanie vodovodného potrubia spôsobí večné škody, alebo môže spôsobiť zásah elektrickým prúdom)
- Používajte úplne odmotanú a bezpečnú predlžovaciu šnúru s kapacitou 16 A

## POČAS PRÁCE

- Hlasitosť zapnutého prístroja môže byť viac aké 85 dB(A); chráňte si uši ochrannými krycimi prostriedkami
- Nikdy nepoužívajte stroj bez originálnych ochranných krytov
- Nepokúšajte sa rezať veľmi malé kusy
- Nepracujte so strojom v polohe nad hlavou
- V prípade zaseknutia, mechanickej alebo elektrickej poruchy, okamžite vypnite stroj a odpojte prívodný kábel
- Ak je sieťová šnúra poškodená alebo ak sa prereže počas prevádzky, nedotýkajte sa jej ale ju ihneď odpojte z hlavnej elektrickej siete

## PO PRÁCI

- Skôr než nástroj položíte, presvedčte sa že je motor vypnutý a že sú všetky pohyblivé súčiastky zastavené
- Po vypnutí kotúčovej píly nikdy nezastavujte otáčajúci sa kotúč silou vyvedenou na jeho bočnú stranu

## POUŽITIE

- Montáž pílového kotúča ③
  - ! **odpojte zástrčku**
  - vyberte šesťhranný kľúč A z púzdra B
  - stisnite tyčinkové zamykajúce tlačítko C a držte ho dole kým točením šesťhranným kľúča vyberiete skrutku D upevňujúcu kotúč
  - ! **nástroj musí byť vypnutý keď stisnete tlačítko C**
  - uvoľnite tyčinkové zamykajúce tlačítko C
  - dajte dole prstenec E
  - otvorte spodný ochranný kryt F pákou G a držte ho kým namontujete pílový kotúč; zuby kotúča a dípka na pílovom kotúči musia smerovať tým istým smerom ako dípka na hornom ochrannom kryte
  - uvoľnite spodný ochranný kryt F
  - namontujte späť prstenec E
  - ! **dajte pozor aby prípevnacie povrchy H na prstencoch boli dokonale čisté a aby smerovali ku kotúčom**
  - stisnite tyčinkové zamykajúce tlačítko C a držte ho dole kým pritiahnete skrutku upevňujúcu kotúč otočením šesťhranným kľúča proti smeru hodinových ručičiek o 1/8 otočenia za zatiahnutie prstom (zabezpečí preklzávanie pílového kotúča pri príliš veľkom odpore čím znižuje preťaženie motora a spätný odraz pri rezaní)
  - uvoľnite tyčinkové zamykajúce tlačítko C
- Nastavenie hĺbky rezu (0-65 mm) ④
  - pre optimálnu kvalitu rezu nesmie byť pílový kotúč vysunutý viac ako 3 mm pod opracovávaným predmetom
  - uvoľnite gombík J
  - zdvihnite/potlačte základovú dosku K do požadovanej hĺbky podľa stupnice a indikátora L
  - dotiahnite gombík J
- Nastavenie uhla rezania (0-45°) ⑤
  - uvoľnite gombík M
  - natočte stroj do požadovaného uhla podľa stupnice a indikátora N
  - dotiahnite gombík M
  - ! **pri rezaní pod uhlom nezodpovedá hĺbka rezu hodnote na stupnici pre hĺbku rezu**
- Kontrola uhla rezu 90° ⑥
  - nastavte a dotiahnite základovú dosku K v maximálnej hĺbke rezu ④
  - nastavte a zafixujte uhol rezania 0°
  - skontrolujte uhol 90° medzi kotúčom a spodnou stranou základovej dosky pomocou uholníka
  - ak je potrebné nastavenie, uvoľnite gombík M a použite nastavovaciu skrutku P ako je zobrazené
- Nastaviteľná rýska pre sledovanie línie rezu ⑥a
  - pre vedenie nástroja pozdĺž požadovanej čiary rezu vyznačenej na opracovávanom kuse
  - pre priamy rez pod uhlom 0° alebo šikmý rez pod uhlom 45° používajte príslušnú rýsku

- ! **Široká strana základovej dosky musí ležať na podoprenej strane opracovávaného predmetu**
- je možné nastaviť podľa toho, či si prajete aby odpadový materiál bol na vnútornej alebo vonkajšej strane kotúča ⑥b
- ! **Šírka rezu je určená šírkou zubov kotúča a nie šírkou telesa kotúča**
- ! **vždy najskôr vykonajte skúšobný rez na overenie skutočnej čiaru rezu**
- Odsávanie prachu
  - na adaptér R ⑦ nasuňte odsávaciu hadicu
  - ! **nikdy nedovoľte, aby hadica vysávača zasahovala do spodného krytu alebo do priebehu rezania**
  - možno používať aj vrecko na prach (príslušenstvo SKIL 2610387402)
  - ! **pri rezaní kovu nepoužívajte prachové vrecko/ vysávač**
- Prevádzka nástroja ⑦
  - zapojte privodný kábel zo zdroja energie
  - vždy pevne držte rukoväť S jednou rukou a rukoväť T druhou rukou
  - položte stroj prednou stranou základovej dosky na opracovávaný predmet
  - ! **skontrolujte, či zuby kotúča nezasahujú do opracovávaného predmetu**
  - zapnite stroj tak, že najprv stlačíte tlačidlo V (= bezpečnostný vypínač, ktorý nemôže byť zablokovaný) a potom potiahnete západku W
  - ! **predtým, ako kotúč vnikne do opracovávaného predmetu musí stroj bežať na plné otáčky**
  - spodný kryt F sa otvára automaticky keď pílový kotúč vniká do opracovávaného predmetu (spodný kryt otvárajte manuálne pomocou páky G len pri špeciálnych rezoch, napr. zapichovacích rezoch)
  - ! **netlačte príliš na nástroj** (vyvíjajte mierny a plynulý tlak tak, aby sa predišlo prehrievaniu špičiek čepelí a v prípade rezania plastov roztaveniu plastového materiálu)
  - ! **počas práce vždy držte nástroj v oblasti sivého držadla(iel)**
  - po dokončení rezu vypnite stroj uvoľnením západky W
  - ! **dajte pozor sa pílkový list úplne zastavil prv než zodvihnete nástroj z opracovávaného materiálu**

## RADU NA POUŽITIE

- Pri použití vodiacej lišty (príslušenstvo SKIL 2610Z04064) spolu s adaptérom sa hĺbka rezu zmenší o 14 mm pri rezoch 90° aj 45°
  - Vždy otočte čelnú stranu opracovávaného predmetu smerom dole, aby dochádzalo k minimálnemu štiepeniu
  - Používajte len ostré kotúče správneho typu ⑧
    - kvalita rezu sa zlepšuje počtom zubov
    - kotúče zo spekaných karbidov zostávajú ostré až 30 krát dlhšie než bežné kotúče
  - Vodičok pre pozdĺžne rezanie Y ⑨
    - pre presné rezanie pozdĺž okraja opracovávaného predmetu
    - môže byť vložené na obidve strany základovej dosky
- Nastavenie vodičok pre pozdĺžne rezanie
- uvoľnite príchytku Z

- nastavte na požadovanú šírku rezania použitím stupnice vodičok pre pozdĺžne rezanie (použite rysku rezu Q ako referenciu 0)
- dotiahnite príchytku Z
- Zapichovacie rezanie ⑩
  - nastavte požadovanú hĺbku rezu
  - natočte stroj dopredu pomocou rysky rezu Q
  - vyrovnajte podľa požadovanej čiaru rezu označenej na obrábanom kuse
  - otvorte spodný ochranný kryt F pákou G
  - krátko predtým, ako kotúč vnikne do predmetu, zapnite stroj a postupne spúšťajte zadnú stranu stroja používajúc prednú stranu základovej dosky ako otočný bod
  - postupne spúšťajte stroj smerom dole a tiež smerom dopredu
  - akonáhle sa kotúč dostane do materiálu, uvoľnite páku G
  - ! **nikdy neľahajte stroj smerom dozadu**
- Rezanie veľkých panelov ⑪
  - podprite panel v blízkosti rezu, či už na podlahe, stole alebo pracovnom stole
  - ! **nastavte hĺbku rezu tak, aby ste prerezali panel a nie podperu**
  - ak šírka rezu nedovoľuje použitie vodičok pre pozdĺžne rezanie, prichyťte alebo klincami upevnite na panel rovný kus dreva slúžiaci ako vodičok; režte tak, aby sa pravá strana základovej dosky opierala o toto vodičok

## ÚDRŽBA / SERVIS

- Tento nástroj nie je vhodný pre profesionálne použitie
- Nástroj a sieťovú šnúru udržiajte stále čisté (zvlášť vetracie štrbiny)
  - ! **pred čistením odpojte z elektrickej siete**
- Priestor okolo spodného ochranného krytu F ③ udržiajte vždy čistý (odstráňte prach a piliny pomocou stlačeného vzduchu alebo kefy)
- Hneď po použití očistite pílový kotúč (obzvlášť od živice a lepidla)
- Ak by nástroj napriek starostlivej výrobe a kontrole predsa len prestal niekedy fungovať, treba dať opravu vykonať autorizovanej servisnej opravovni elektrického náradia SKIL
  - pošlite nástroj **bez rozmontovania** spolu s dôkazom o kúpe; vášmu dilerovi alebo do najbližšieho servisného strediska SKIL (zoznam adries servisných stredísk a servisný diagram nástroja sú uvedené na [www.skil.com](http://www.skil.com))

## ŽIVOTNÉ PROSTREDIE

- **Elektrické náradie, príslušenstvo a balenia nevyhadzujte do komunálneho odpadu** (len pre štáty EÚ)
  - podľa európskej smernice 2012/19/EG o nakladaní s použitými elektrickými a elektronickými zariadeniami a zodpovedajúcich ustanovení právnych predpisov jednotlivých krajín sa použité elektrické náradie musí zbierať oddelene od ostatného odpadu a podrobiť ekologicky šetrnej recyklácii
  - pripomenie vám to symbol ⑫, keď ju bude treba likvidovať

# VYHLÁSENIE O ZHODE CE

Okružná píla 5665/5765

Technické údaje ①

- Na vlastnú zodpovednosť vyhlasujeme, že dole popísaný výrobok "Technické údaje" sa zhoduje s nasledujúcimi normami alebo normatívnymi dokumentami: EN 60745, EN 61000, EN 55014 podľa ustanovení smerníc 2014/30/EU, 2006/42/EG, 2011/65/EU
- **Súbor technickej dokumentácie sa nachádzajú na adrese:** SKIL Europe BV (PT-SEU/ENG1), 4825 BD Breda, NL

Marijn van der Hoofden  
Operations & Engineering

Olaf Dijkgraaf  
Approval Manager

SKIL Europe BV, 4825 BD Breda, NL

16.10.2014

## HLUKU/VIBRÁCIÁCH

- Merané podľa EN 60745 je úroveň akustického tlaku tohto nástroja 97 dB(A) a úroveň akustického výkonu je 108 dB(A) (štandardná odchýlka: 3 dB), a vibrácie sú \* m/s<sup>2</sup> (súčet vektorov troch smerov; nepresnosť K = 1,5 m/s<sup>2</sup>)
    - \* pri rezaní dreva 2,6 m/s<sup>2</sup>
    - \* pri rezaní kovu 2,2 m/s<sup>2</sup>
  - Hladina emisií od vibrácií bola nameraná v súlade s normalizovaným vzorcom uvedeným v norme EN 60745; môže sa používať na vzájomné porovnávanie náradí a na predbežné posúdenie vystavenia účinkom vibrácií pri používaní náradia pre uvedené aplikácie
    - používanie náradia na rôzne aplikácie, alebo v spojení s rôznymi alebo nedostatočne udržiavanými doplnkami môže značne **zvýšiť** úroveň vystavenia
    - časové doby počas ktorých je je náradie vypnuté alebo počas ktorých náradie beží ale v skutočnosti nevykonáva prácu môžu značne **znižiť** úroveň vystavenia
- ! chráňte sa pred účinkami vibrácií tak, že budete náradie a jeho príslušenstvo správne udržiavať, tak že nebudete pracovať so studenými rukami a tak že si svoje pracovné postupy správne zorganizujete**

HR

Kružná píla

5665/5765

## UVOD

- Ovaj je uređaj predviđen za uzdužno i poprečno rezanje drva, ravno ili pod kutom do 45°; a s odgovarajućim listovima pile mogu se rezati i neželjeni metali, laki građevni materijali i plastika
- Ovaj uređaj nije namijenjen profesionalnoj upotrebi
- Pažljivo pročitajte i sačuvajte ove upute za rukovanje ②

## TEHNIČKI PODACI ①

## SIGURNOST

### OPĆE UPUTE ZA SIGURAN RAD

**PAŽNJA!** Treba pročitati sve napomene o sigurnosti i upute. Ako se ne bi poštivala napomene o sigurnosti i upute to bi moglo uzrokovati strujni udar, požar i/ili teške ozljede. **Sačuvajte sve napomene o sigurnosti i upute za buduću primjenu.** U daljnjem tekstu korišten pojam "električni alat" odnosi se na električne alate s priključkom na električnu mrežu (s mrežnim kabelom) i na električne alate s napajanjem iz aku baterije (bez mrežnog kabela).

### 1) SIGURNOST NA RADNOM MJESTU

- Vaše radno područje održavajte čisto i uredno.**  
Nered ili neosvijetljeno radno područje mogu doći do nezgoda.
  - S uređajem ne radite u okolini ugroženoj eksplozijom, u kojoj se nalaze zapaljive tekućine, plinovi ili prašina.** Električni alati proizvode iskre koje mogu zapaliti prašinu ili pare.
  - Djecu i ostale osobe držite dalje tijekom korištenja električnog alata.** Ako bi skrenuli pozornost sa posla mogli bi izgubiti kontrolu nad uređajem.
- ### 2) ELEKTRIČNA SIGURNOST
- Priključni utikač uređaja treba odgovarati utičnici.** Na utikaču se ni u kojem slučaju ne smiju izvoditi izmjene. Ne koristite adapterske utikače zajedno sa uređajima koji su zaštićeni uzemljenjem. Originalni utikač i odgovarajuće utičnice smanjuju opasnost od električnog udara.
  - Izbjegavajte dodir tijela s uzemljenim površinama kao što su cijevi, centralno grijanje, štednjaci i hladnjaci.** Postoji povećana opasnost od električnog udara ako je vaše tijelo uzemljeno.
  - Držite uređaj dalje od kiše ili vlage.** Prodiranje vode u električni uređaj povećava opasnost od električnog udara.

- Priključni kabel ne koristite za nošenje, vješanje ili za izvlačenje utikača iz utičnice.** Držite kabel dalje od izvora topline, ulja, oštih rubova ili pomoćnih dijelova uređaja. Oštećen ili usukan kabel povećava opasnost od električnog udara.
- Ako s električnim uređajem radite na otvorenom, koristite samo produžni kabel odobren za uporabu na otvorenom.** Primjena produžnog kabela prikladnog za uporabu na otvorenom smanjuje opasnost od električnog udara.
- Ako se ne može izbjeći uporaba električnog alata u vlažnoj okolini, upotrijebite sigurnosna sklopka za propuštanje u zemlju.** Upotrebom sigurnosne sklopke za propuštanje u zemlju smanjuje se opasnost od električnog udara.

### 3) SIGURNOST LJUDI

- Budite oprezni, pazite što činite i postupajte razumno kod rada s električnim alatom. Ne koristite uređaj ako ste umorni ili pod utjecajem opojnih sredstava, alkohola ili lijekova.** Trenutak nepažnje kod uporabe uređaja može doći do ozbiljnih ozljeda.
- Nosite sredstva osobne zaštite i uvijek zaštitne naočale.** Nošenje sredstava osobne zaštite, kao što je zaštitna maska, sigurnosne cipele koje ne klize, zaštitne

- kacije ili štitnika za sluh, ovisno od vrste i primjene električnog alata, smanjuje opasnost od nezgoda.
- c) **Izbjegavajte nehotično puštanje u rad. Prije nego što ćete utaknuti utikač u utičnicu i/ili staviti aku-bateriju, provjerite je li električni alat isključen.** Ako kod nošenja električnog alata imate prst na prekidaču ili se uključen uređaj priključi na električno napajanje, to može dovesti do nezgoda.
  - d) **Prije nego što uređaj uključite, uklonite alate za podešavanje ili vijčane ključeve.** Alat ili ključ koji se nalazi u rotirajućem dijelu uređaja može doći do nezgoda.
  - e) **Ne precjenjujte svoje sposobnosti. Zauzmite siguran i stabilan položaj tijela i držite u svakom trenutku ravnotežu.** Na taj način možete uređaj bolje kontrolirati u neočekivanim situacijama.
  - f) **Nosite prikladnu odjeću. Ne nosite široku odjeću ili nakit.** Neka vaša kosa, odjeća i rukavice budu što dalje od pomičnih dijelova. Mlohavu odjeću, nakit ili dugu kosu mogu zahvatiti pomični dijelovi uređaja.
  - g) **Ako se mogu montirati naprave za usisavanje i hvatanje prašine, provjerite da li su iste priključene i da li se pravilno koriste.** Primjena naprave za usisavanje može smanjiti ugroženost od prašine.
- #### 4) BRIŽLJIVA UPORABA ELEKTRIČNIH ALATA
- a) **Ne preopterećujte uređaj. Koristite za vaše radove za to predviđen električni alat.** S odgovarajućim električnim alatom radit ćete bolje i sigurnije, u navedenom području učinka.
  - b) **Ne koristite električni alat čiji je prekidač neispravan.** Električni alat koji se više ne može uključiti ili isključiti, opasan je i treba se popraviti.
  - c) **Izvučite utikač iz mrežne utičnice i/ili izvadite aku-bateriju prije podešavanja uređaja, zamjene pribora ili odlaganja uređaja.** Ovim mjerama opreza spriječit će se nehotično pokretanje uređaja.
  - d) **Nekorištene električne alate spremite izvan dosega djece. Ne dopustite da uređaj koriste osobe koje s njim nisu upoznate ili koje nisu pročitale upute za uporabu.** Električni alati su opasni ako ih koriste neiskusne osobe.
  - e) **Uređaj održavajte s pažnjom. Kontrolirajte da li pomični dijelovi uređaja besprijekorno rade i da nisu zaglavljani, te da li su dijelovi polomljeni ili tako oštećeni da negativno djeluju na funkciju uređaja. Popravite oštećene dijelove prije uporabe uređaja.** Mnoge nezgode imaju svoj uzrok u loše održanim uređajima.
  - f) **Rezne alate održavajte oštrim i čistim.** Pažljivo održavani rezni alati s oštrim oštricama neće se zaglaviti i lakši su za vođenje.
  - g) **Koristite električne alate, pribor, radne alate, itd., prema navedenim uputama. Pri tome uzimate u obzir radne uvjete i radove koje se izvode.** Uporaba električnih alata za neke druge primjene različite od predviđenih, može doći do opasnih situacija.
- #### 5) SERVIS
- a) **Popravak uređaja prepustite samo kvalificiranom stručnom osoblju i samo s originalnim rezervnim dijelovima.** Na taj će se način postići održanje stalne sigurnosti uređaja.

## UPUTE ZA SIGURNOST ZA KRUŽNE PILE

### 1) POSTUPAK PILJENJA

- a) **⚠ OPASNOST : Rukama ne zalazite u područje rezanja i do lista pile. Drugom rukom držite dodatnu ručku ili kućište motora.** Ako obim rukama držite za pilu tada vas ne može ozlijediti list pile.
- b) **Ne stavljati ruke ispod izratka.** Štitnik vas ne može zaštititi od lista pile ispod izratka.
- c) **Podesiti dubinu rezanja prema debljini izratka.** Ispod izratka se mora vidjeti manje od pola visine zuba pile.
- d) **Piljeni izradak nikada ne držite u rukama ili preko nogu. Izradak se mora nalaziti na stabilnoj podlozi.** Važno je da izradak bude dobro pričvršćen kako bi se na minimum smanjila opasnost od dodira s tijelom, uključena lista pile ili gubitka kontrole nad kružnom pilom.
- e) **Ako izvodite radove kod kojih bi radni alat mogao zahvatiti skrivene električne vodove ili vlastiti priključni kabel, električni alat držite samo za izolirane ručke.** Kontakt sa električnim vodom pod naponom, stavlja pod napon i metalne dijelove električnog alata i dovodi do električnog udara.
- f) **Uvijek koristiti štitnik ili vodilicu prilikom piljenja.** Time se povećava preciznost reza i smanjuje mogućnost savijanja lista pile.
- g) **Koristite uvijek listove pile odgovarajuće veličine i odgovarajućeg steznog provrta (npr. zvjezdastog ili okruglog).** Listovi pile koji ne odgovaraju montažnim dijelovima pile, okretat će se ekscentrično i dovesti do gubitka kontrole nad pilom.
- h) **Nikada ne koristiti neispravne ili oštećene podloške ili vijke.** Podloške i vijci lista pile posebno su izvedeni za vašu pilu, za postizanje optimalnog učinka i sigurnosti rada.

### 2) POVRATNI UDAR – UZROCI I ODGOVARAJUĆE UPUTE

- Povratni udar je iznenadna reakcija na uklješten ili smaknut list pile, uzrokujući nekontrolirano izdizanje pile izvan izratka, prema osobi koja pili
  - Kada se list pile uklješti ili zaglavi, zbog reakcije motora pile, pila će se odbaciti natrag prema osobi koja pili
  - Ako bi se list pile deformirao ili smaknuo u rezu, zubi lista pile bi se mogli ukopati u gornjoj površini drva, uzrokujući odbacivanje pile prema osobi koja pili
  - Povratni udar je rezultat pogrešnog rada s pilom i/ili neprikladnih radnih postupaka ili stanja i može se izbjeći poduzimanjem odgovarajućih dolje navedenih mjera
- a) **Pilu čvrsto držite s obje ruke i u takvom položaju da se možete oduprijeti povratnom udaru. Vaše tijelo držite na bilo kojoj strani lista pile, ali ne u liniji s listom pile.** Povratni udar može uzrokovati odsakakanje pile prema natrag, ali sile povratnog udara može kontrolirati osoba koja pili ako se poduzme odgovarajuće mjere.
  - b) **Pilu držite s list pile uklješti ili kada iz nekog razloga dođe do isprekidanog rezanja, treba osloboditi prekidač i pilu bez pomicanja držati u rezu materijala, sve dok se list pile potpuno zaustavi. Nikada ne pokušavati vaditi list pile iz izratka ili povlačiti pilu prema natrag, dok se list pile kreće ili može doći do povratnog udara.** Istražiti poduzeti korektivne zahvate kako bi se otklonio uzrok uklještenja lista pile. Izbjegavati rezanje čavala ili vijaka.



- c) **Kod ponovnog pokretanja pile koja se nalazi u rezu izratka, treba centrirati list pile i provjeriti da zubi pile nisu u zahvatu materijala.** Ako je list pile uklješten, on bi mogao odskočiti od izratka kada se pila ponovno pokrene.
- d) **Velike ploče koje se režu treba osloniti kako bi se izbjeglo uklještenje lista pile i opasnost povratnog udara.** Velike ploče sklone su provjesu pod djelovanjem vlastite težine. Oslonci se moraju nalaziti ispod ploča na obje strane, blizu linije reza i blizu ruba ploče.
- e) **Ne koristiti tupe ili oštećene listove pile.** Tupi ili neispravni listovi pile mogu uzrokovati prekomjerno trenje, uklještenje pile i povratni udar.
- f) **Stezne poluge za podešavanje dubine lista pile i skošenja trebaju biti čvrsto stegnute prije rezanja.** Ako bi se podešenost lista pile pomakla tijekom rezanja, moglo bi doći do uklještenja i povratnog udara.
- g) **Budite posebno oprezni kod piljenja u postojeće zidove ili na nekim drugim nevidljivim mjestima.** Zarezani list pile mogao bi se kod piljenja blokirati na skrivenim predmetima i prouzročiti povratni udar.

### 3) FUNKCIJA DONJEG ŠTITNIKA

- a) **Kontrolirati donji štitnik na ispravno zatvaranje prije svake uporabe. Ne raditi s pilom ako se donji štitnik ne pomiče slobodno i ne zatvara trenutačno. Nikada ne stezati niti vezati donji štitnik u otvorenom položaju.** Ako bi pila nehотиčno pala, štitnik bi se mogao savinuti. Izvući mrežni utikač, podići donji štitnik s ručkom i osigurati da se slobodno pomiče i da ne dodiruje list pile ili neki drugi dio, pod svim kutovima i dubinama rezanja.
- b) **Kontrolirati djelovanje opruge donjeg štitnika. Ako štitnik i opruga ne djeluju ispravno, trebaju se servisirati prije uporabe.** Donji štitnik bi mogao djelovati tromo zbog oštećenih dijelova, naslaga smole ili nakupina prljavštine.
- c) **Donji štitnik treba uvući ručno samo za specijalne rezove.** Donji štitnik podići ručkom na uvlačenje i to čim list pile zarez u materijal, donji štitnik mora biti osloboden. Za sva ostala rezanja donji štitnik treba djelovati automatski.
- d) **Uvijek paziti da donji štitnik pokriva list pile prije odlaganja pile na stol ili na pod.** Nezaštićen list pile može doći do ozljeda kod pomicanja pile natrag. Treba uzeti u obzir vrijeme zaustavljanja lista pile nakon otpuštanja prekidača.

### DODATNE UPUTE ZA SIGURNOST

#### OPĆENITO

- Uređaj ne bi smjele koristiti osobe mlađe od 16 godina
- Ovaj uređaj nije pogodan za mokro rezanje
- **Prije svih radova održavanja, podešavanja ili izmjene alata i pribora treba izvući utikač iz mrežne utičnice**
- Nikad ne upotrebljavajte alat kad su kabel oštećeni; neka iz zamijeni kvalificirana osoba
- **Ne obrađujte materijal koji sadrži azbest** (azbest se smatra kancerogenim)
- Prašina od materijala kao što su boje koje sadrže olovo, neke vrste drveća, minerali i metal mogu biti opasne (dodir s prašinom ili njeno udisanje mogu prouzročiti alergične reakcije i/ili respiratorna oboljenja rukovatelja ili posmatrača); **nosite masku za zaštitu od prašine i**

#### radite s uređajem za ekstrakciju prašine ukoliko ga možete priključiti

- Određene vrste prašine klasificiraju se kao karcinogenske (kao što su prašina hrastovine i bukovine), osobito u sudejstvu s aditivima za kondicioniranje drveta; **nosite masku za zaštitu od prašine i radite s uređajem za ekstrakciju prašine ukoliko ga možete priključiti**
- Nacionalni uvjeti za materijale s kojima želite raditi
- Koristiti samo stol za piljenje opremljen prekidačem koji sprječava pokretanje motora nakon prekida u napajanju
- Uvijek koristiti stol za piljenje opremljen vodilicom

#### PRIBOR

- SKIL može osigurati bespriječan rad uređaja samo ako se koristi originalni pribor
- Upotrebljavajte pribor čija dopuštena brzina odgovara najvećoj brzini alata u praznom hodu
- **Koristite samo noževe za pilu s minimalnim promjerom od 170 mm, maksimalnim promjerom od 184 mm i rupom osovine od 16 mm**
- Ne dopušta se korištenje listova pile od visokolegiranog brzoernog čelika (HSS)
- Na ovaj uređaj ne stezati brusne ploče za brušenje i rezanje namijenjene za kutnu brusilicu

#### PRIJE UPORABE

- Uvijek provjerite je li napon napajanja isti kao onaj naveden na tipskoj pločici uređaja (uređaji označeni s 230V ili 240V mogu raditi i na 220V)
- Izbjegavajte oštećenja od vijaka, čavala i sličnih predmeta na vašem izratku; prije početka rada ih izvadite
- Prije nego što počnete s rezanjem uklonite sve zapreke sa gornje kao i donje površine, koje se nalaze na liniji rezanja
- **Osigurajte izradak** (izradak je sigurnije pričvršćen pomoću stezaljke ili škripa nego da ga držite rukom)
- **Koristite prikladne uređaje za traženje napona kako bi se pronašli skriveni napojni vodovi ili se savjetuje s lokalnim distributerom** (kontakt s električnim vodovima mogao bi doći do požara i električnog udara; oštećenje plinske cijevi moglo bi dovesti do eksplozije; probijanje vodovodne cijevi uzrokuje materijalne štete ili može uzrokovati električni udar)
- Upotrebljavajte samo neodmotane i zaštićene produžne kabele kapaciteta 16 ampera

#### TIJEKOM UPORABE

- Razina buke kod rada može premašiti 85 dB(A); nositi štitnike za sluh
- Uređaj nikada ne koristite bez originalne zaštite
- Ne pokušavajte rezati previše male izratke
- S uređajem ne radite iznad glave
- U slučaju blokiranja, neobičajenog ponašanja alata neobičnih šumova, uređaj treba odmah isključiti i izvući utikač iz mrežne utičnice
- Ako se tijekom rada priključni kabel ošteti ili odreže, ne dirati priključni kabel, nego odmah izvući mrežni utikač

#### NAKON UPORABE

- Čim se odmaknete od alata trebete ga isključiti, a pomični se dijelovi trebaju potpuno zaustaviti
- List pile se nakon isključivanja uređaja ne smije kočiti bočnim pritiskom

## POSLUŽIVANJE

- Montiranje lista pile ③
  - ! **izvući mrežni utikač**
  - inbus ključ A uzeti iz spremišta B
  - pritisnuti gumb C za blokadu vretena i držati ga pritisnutog dok se list pile skida odvijanjem vijka D s inbus ključem
  - ! **gumb C za blokadu vretena pritisnuti samo ako je uređaj u stanju mirovanja**
  - otpustiti gumb C za blokadu vretena
  - skinuti prirubnicu E
  - otvorite donji štitnik F pomoću poluge G i zadržite donji štitnik u otvorenom položaju prilikom montaže lista pile; zupci i utisnuta strelica na listu pile maraju biti usmjereni kao i strelica na gornjem štitniku
  - osloboditi donji štitnik F
  - montirati prirubnicu E
  - ! **treba paziti da stezne površine H prirubnice budu besprijekorno čiste i da budu okrenute prema listu pile**
  - pritisnuti gumb C za blokadu vretena i držati ga pritisnutog dok se steže vijak lista pile inbus ključem za 1/8 okreta (list pile mora klizati kada naiđe na prekomjerni otpor, smanjujući na taj način preopterećenje motora i mogućnost povratnog udara pile)
  - otpustiti gumb C za blokadu vretena
- Namještanje dubine rezanja (0-65 mm) ④
  - za optimalnu kvalitetu rezanja, list pile ne smije stršati više od 3 mm ispod izratka
  - otpustiti gumb J
  - podići/spustiti stopalo K sve dok se tražena dubina rezanja ne namjesti na skali, pomoću pokazivača L
  - stegnuti gumb J
- Namještanje kuta rezanja (0-45°) ⑤
  - otpustiti gumb M
  - električni alat nagnuti dok se ne postigne željeni kut rezanja na skali kuta, prema pokazivaču N
  - stegnuti gumb M
  - ! **kod rezanja pod kutom dubina rezanja ne odgovara vrijednosti na skali dubine rezanja**
- Kontrola kuta rezanja pod 90° ⑤
  - podesiti i stegnuti stopalo K na max. dubinu rezanja ④
  - podesiti i stegnuti kut rezanja na 0°
  - pomoću kutomjera kontrolirati kut 90° između lista pile i dna stopala
  - ako je potrebno podešavanje, otpustiti gumb M i koristite vijak za podešavanje P kako je prikazano
- Podesivi vizir linije rezanja Q ⑥a
  - za precizno vođenje uređaja uzduž linije rezanja povučene na izratku
  - za ravno rezanje pod 0° ili koso rezanje pod 45°, koristiti odgovarajuću liniju pokazivača
  - ! **veći dio stopala treba nalijegati na oslonjeni dio izratka**
  - može se podesiti, kako bi vam se omogućilo biranje da li se otpadni materijal nalazi na unutarnjoj ili vanjskoj strani lista pile ⑥b
  - ! **širina rezanja se utvrđuje širinom zuba pile, a ne debljinom lista pile**
  - ! **uvijek najprije izvoditi probne rezove, kako bi se provjerila stvarna linija rezanja**

- Usisavanje prašine
  - priključiti usisavač na nastavak R ⑦
  - ! **paziti da crijevo usisavača prašine ne zatvori otvor donjeg štitnika lista ili da ne naruši rad rezanja**
  - može se također koristiti vrećica za prašinu (SKIL pribor 2610387402)
  - ! **vrećicu za prašinu/usisavač prašine ne koristiti kod piljenja metala**
- Posluživanje uređaja ⑦
  - mrežni utikač priključiti na utičnicu
  - uvijek čvrsto držati ručku S s jednom rukom, a ručku T čvrsto držati drugom rukom
  - uređaj s prednjom stranom podnožja plošno pozicionirati na izratku
  - ! **osigurati da se zubi lista pile ne uklone u izratku**
  - uključiti uređaj prvo pritiskom palcem na gumb V (= sigurnosni prekidač koji se ne može zaglaviti) i zatim povući okidač W
  - ! **pila treba postići maksimalni broj okretaja prije nego što list pile zarezže izradak**
  - donji štitnik lista F se otvara automatski kada list pile zarezže u izradak (donji štitnik lista otvori ručno pomoću poluge G samo za specijalne rezove, kao što je zarezivanje)
  - ! **nemojte preforsirati alat** (pritišćite lagano i stalno kako bi se izbjeglo pregrijavanje vrha noža te, u slučaju rezanja plastike, topljenje plastičnog materijala)
  - ! **alat kod primjene, držati samo na sivo označenim područjima**
  - nakon završenog rezanja uređaj isključiti otpuštanjem okidača W
  - ! **list pile se mora potpuno zaustaviti prije nego što se alat ukloni sa izratka**

## SAVJETI ZA PRIMJENU

- Prilikom upotrebe vodilice (SKIL pribor 2610Z04064) u kombinaciji s adapterom dubina reza bit će smanjena za 14 mm za rezove pod kutom od 90°, kao i pod kutom od 45°
- Dobru stranu izratka položiti okrenutu prema dolje, kako bi se na najveću mjeru ograničilo stvaranje iveraka
- Koristite samo oštre listove pile odgovarajućeg tipa ⑧
  - kvaliteta reza povećava se sa brojem zubaca
  - listovi pile s reznim pločicama od tvrdog metala imaju do 30 puta dulji vijek trajanja od klasičnih listova pile
- Bočni graničnik Y ⑨
  - za točne paralelne rezove prema rubu izratka
  - mogu se obostrano ugraditi u stopalo
- Namještanje bočnog graničnika
  - otpustiti gumb Z
  - namjestiti na željenu širinu rezanja, prema skali bočnog graničnika (vizir linije rezanja Q koristiti kao 0-referencu)
  - stegnuti gumb Z
- Umetnuti rez ⑩
  - namjestiti željenu dubinu rezanja
  - uređaj nagnite prema naprijed, s viziorom linije rezanja Q poravnatom sa željenom linijom reza označenom na izratku
  - otvoriti donji štitnik F s polugom G
  - neposredno prije zarezivanja lista pile u izradak, uključiti uređaj i polako spustiti stražnji dio uređaja uz primjenu prednjeg ruba podnožja kao točke nalijeganja

- uređaj postupno spustiti prema dolje i istodobno pomaknuti prema naprijed
- čim list pile zarezete materijal, otpustiti polugu G
- ! **električni alat nikada ne pomicati prema natrag**
- Rezanje velikih ploča odnosno tabli ①
  - ploču osloniti blizu linije rezanja ili na pod, na stol ili radni stol
  - ! **lubinu rezanja tako namjestiti da se ploča proreže a da ne zarezhe oslonac**
  - ukoliko bočni graničnik ne omogućava željenu širinu rezanja, ravnu drvenu letvu stegnute na izradak ili zabiti čavlima, koja služi kao vodilica rezanja i vodi uređaj s desnom stranom podnožja na ovoj letvi za vođenje

## ODRŽAVANJE / SERVISIRANJE

- Ovaj uređaj nije namijenjen profesionalnoj upotrebi
- Održavajte čistim uređaj i kabel (osobito otvore za hlađenje)
- ! **prije čišćenja treba izvući mrežni utikač**
- Područje oko donjeg štitnika F ③ održavajte čistim (uklonite prašinu i strugotine otpuhavanjem komprimiranim zrakom ili četkom)
- List pile očistiti neposredno nakon korištenja (npr. od ostataka smole)
- Ako bi uređaj unatoč brižljivih postupaka izrade i ispitivanja ipak prestao raditi, popravak treba prepustiti ovlaštenom servisu za SKIL električne alate
  - uređaj treba **nerastavljeno** predati, zajedno s računom o kupnji u najbližu SKIL ugovornu servisnu radionicu (popise servisa, kao i oznake rezervnih dijelova uređaja možete naći na adresi [www.skil.com](http://www.skil.com))

## ZAŠTITA OKOLIŠA

- **Električne alate, pribor i ambalažu ne bacajte u kućni otpad** (samo za EU-države)
  - prema Europskoj direktivi 2012/19/EG o staroj električnoj i elektroničkoj opremi i njenoj primjeni u skladu sa nacionalnim zakonom, istrošeni električni alati moraju se sakupljati odvojeno i odvesti u posebne pogone za reciklažu
  - na to podsjeća simbol ⑫ kada se javi potreba za odlaganjem

## DEKLARACIJA O SUKLADNOSTI CE

**Kružna pila 5665/5765**

**Tehnički podaci ①**

- Izjavljujemo uz punu odgovornost da je ovaj proizvod opisan u "Tehnički podaci" usklađen sa slijedećim normama ili normativnim dokumentima: EN 60745, EN 61000, EN 55014, prema odredbama smjernica 2014/30/EU, 2006/42/EG, 2011/65/EU
- **Tehnička dokumentacija se može dobiti kod:** SKIL Europe BV (PT-SEU/ENG1), 4825 BD Breda, NL

Marijn van der Hoofden  
Operations & Engineering

Olaf Dijkgraaf  
Approval Manager




SKIL Europe BV, 4825 BD Breda, NL

16.10.2014

## BUČI/VIBRACIJAMA

- Mjereno prema EN 60745 prag zvučnog tlaka ovog električnog alata iznosi 97 dB(A) a jakost zvuka 108 dB(A) (standardna devijacija: 3 dB), a vibracija \* m/s<sup>2</sup> (vektorski zbroj u tri smjera; nesigurnost K = 1,5 m/s<sup>2</sup>)
  - \* kod rezanja drva 2,6 m/s<sup>2</sup>
  - \* kod rezanja metala 2,2 m/s<sup>2</sup>
- Razina emitiranja vibracija izmjerena je sukladno normiranom testu danom u EN 60745; ona se može koristiti za usporedbu jedne alatke s drugom, te preliminarnu procjenu izloženosti vibracijama pri uporabi alatke za navedene namjene
  - uporaba ove alatke za druge namjene ili s drugim ili slabo održanim nastavcima, može u značajnoj mjeri **uvećati** razinu izloženosti
  - vrijeme tokom kojega je alatka isključena, ili je uključena ali se njome ne radi, može značajno **umanjiti** razinu izloženosti
- ! **zaštite se od posljedica vibracija održavanjem alatke i njezinih nastavaka, održavanjem Vaših ruku toplima, te organiziranjem Vaših obrazaca rada**

SRB

**Kružna testera**

**5665/5765**

## UPUTSTVO

- Ovaj električni alat je namenjen za sečenje drveta po dužini i po širini, pravolinijski i pod uglom do 45°; odgovarajućim testerama; mogu da se seku i materijali koje nisu od gvožđa, nego od lake građe i plastike
- Ovaj alat nije namenjen za profesionalnu upotrebu
- Pažljivo pročitajte i sačuvajte ova uputstva za rukovanje ②

## TEHNIČKI PODACI ①

## SIGURNOST

### OPŠTA UPUTSTVA O SIGURNOSTI

**PAŽNJA!** Čitajte sva upozorenja i uputstva. Propusti kod pridržavanja upozorenja i uputstava mogu imati za posledicu električni udar, požar i/ili teške povrede. **Čuvajte sva upozorenja i uputstva za budućnost.** Pojam upotrebljen u upozorenjima "električni alat" odnosi se na električne alate sa radom na mreži (sa mrežnim kablom) i na električne alate sa radom na akumulator (bez mrežnog kabla).

### 1) SIGURNOST NA RADNOM MESTU

- Držite Vaše područje rada čisto i pospremljeno.** Nered ili neosvetljena radna područja mogu voditi nesrećama.
- Ne radite sa aparatom u okolini ugroženoj od eksplozija u kojoj se nalaze zapaljive tečnosti, gasovi ili prašine.** Električni alati proizvode varnice, koje mogu zapaliti prašinu ili isparenja.
- Za vreme korišćenja električnog alata držite podalje decu i druge osobe.** Kod skretanja možete izgubiti kontrolu nad aparatom.

## 2) ELEKTRIČNA SIGURNOST

- a) **Utikač za priključak aparata mora odgovarati utičnoj kutiji. Utikač se nesme nikako menjati. Ne upotrebljavajte adaptore utikača zajedno sa aparatima sa uzemljenom zaštitom.** Ne promenjeni utikači i odgovarajuće utičnice smanjuju rizik od električnog udara.
- b) **Izbegavajte telesni kontakt sa uzemljenim gornjim površinama, kao što su cevi, grejanja, šporeti i rashladni ormani.** Postoji povećani rizik od električnog udara, ako je Vaše telo uzemljeno.
- c) **Držite aparat podalje od kiše ili vlage.** Prodiranje vode u električni aparat povećava rizik od električnog udara.
- d) **Ne koristite kabl da bi aparat nosili, obesili ili ga izvlačili iz utičnice. Držite kabl dalje od vreline, ulja, oštih ivica ili pokretnih delova aparata.** Oštećeni ili zamršeni kablovi povećavaju rizik od električnog udara.
- e) **Ako sa nekim električnim alatom radite u prirodi, upotrebljavajte samo produžne kablove koji su dozvoljeni za spoljno područje.** Upotreba produžnog kabla pogodnog za spoljno područje smanjuje rizik od električnog udara.
- f) **Ako rad električnog alata ne može da se izbegne u vlažnoj okolini, koristite prekidač strujne zaštite pri kvaru.** Upotreba prekidača strujne zaštite pri kvaru smanjuje rizik od električnog udara.

## 3) SIGURNOST OSOBA

- a) **Budite pažljivi, pazite na to, šta radite i idite razumno na posao sa električnim alatom. Ne upotrebljavajte aparat, kada ste umorni ili pod uticajem droga, alkohola ili lekova.** Momenat nepažnje kod upotrebe aparata može voditi do ozbiljnih povreda.
- b) **Nosite ličnu zaštitnu opremu i uvek zaštitne naočare.** Nošenje lične zaštitne opreme, kao maske za prašinu, sigurnosne cipele koje ne klizaju, zaštitni šlem ili zaštitu za sluh, zavisno od vrste i upotrebe električnog alata, smanjujete rizik od povreda.
- c) **Izbegavajte nenamerno puštanje u rad. Uverite se da je električni alat isključen, pre nego što ga priključite na struju i/ili na akumulator, uzmete ga ili nosite.** Ako prilikom nošenja električnog alata držite prst na prekidaču ili aparat uključuje priključujete na struju, može ovo voditi nesrećama.
- d) **Uklonite alate za podešavanje ili ključeve za zavrtnje, pre nego što uključite aparat.** Alat ili ključ koji se nalazi u delu aparata koji se okreće, može voditi povredama.
- e) **Ne preценjте себе. Pobrinite se da sigurno stojite i održavajte u svako doba ravnotežu.** Na taj način možete bolje kontrolisati aparat u neočekivanim situacijama.
- f) **Nosite pogodno odelo. Ne nosite široko odelo ili nakit. Držite kosu, odelo i rukavice podalje od pokretnih delova.** Opušteno odelo, nakit ili duža kosa mogu biti zahvaćeni od rotirajućih delova.
- g) **Ako se mogu montirati uređaji za usisavanje prašine i uređaji za hvatanje prašine, uverite se da li su priključeni i ispravno koristite.** Upotreba usisavanja prašine može smanjiti opasnosti od prašine.

## 4) BRIŽLJIVO OPHODJENJE I KORIŠĆENJE ELEKTRIČNIH ALATA

- a) **Ne preopterećujte aparat. Upotrebljavajte za Vaš posao električni alat odredjen za to.** Sa odgovarajućim električnim alatom radićete bolje i sigurnije u navedenom području rada.
  - b) **Ne upotrebljavajte električni alat, čiji je prekidač u kvaru.** Električni alat koji više ne može da se uključi ili isključi je opasan i mora da se popravi.
  - c) **Izvućite utikač iz utičnice i/ili uklonite akumulator pre nego što preduzmete podešavanja na aparatu, promenu delova pribora ili ostavite aparat.** Ova mera opreza sprečava nenamerni start aparata.
  - d) **Čuvajte nekorišćene električne alate izvan domašaja dece. Ne dopustite osobama da koriste aparat, koje ga ne poznaju ili nisu pročitali ova uputstva.** Električni alati su opasni, ako ih koriste neiskusne osobe.
  - e) **Održavajte aparat brižljivo. Kontrolišite, da li pokretni delovi aparata funkcionišu besprekorno i ne slepljuju, da li su delovi slomljeni ili tako oštećeni, da je funkcija aparata oštećena. Popravite oštećene delove pre upotrebe aparata.** Mnoge nesreće imaju svoj uzrok u loše održavanim električnim alatom.
  - f) **Držite alate za sećenja oštre i čiste.** Brižljivo negovani alati za sećenje sa oštrim sećivima manje slepljuju i lakše se vode.
  - g) **Upotrebljavajte električne alate, pribor, alate koji se umeću itd. prema ovim uputstvima. Obratite pažnju pritom na uputstva za rad i posao koji treba izvesti.** Upotreba električnih alata za druge od propisanih namena može voditi opasnim situacijama.
- ## 5) SERVIS
- a) **Neka Vam Vaš aparat popravljа samo kvalifikovano stručno osoblje i samo sa originalnim rezervnim delovima.** Na taj način se obezbeđuje da ostane sačuvana sigurnost aparata.

## SIGURNOSNA UPUTSTVA ZA KRUŽNE TESTERE

### 1) POSTUPAK TESTERISANJA

- a) **⚠️ OPASNOST : Ne idite sa Vašim rukama u područje testere i lista testere. Držite sa Vašom drugom rukom dodatnu dršku ili kućiste motora.** Ako obe ruke drže testeru, one se ne mogu povrediti od lista testere.
- b) **Nemojte da posežete ispod područja rada.** Zaštitni mehanizam ne može da vas štiti od sećiva ispod područja rada.
- c) **Dubinu sećenja podesite na debljinu područja rada.** Ispod područja rada treba da se vidi manje od celog zupca sećiva.
- d) **Ne držite radni komad koji se seče nikada u ruci ili preko noge. Osigurajte radni komad na nekom stabilnom pritezaču.** Važno je radni komad dobro pričvrstiti, da bi minimizirali opasnost od kontakta sa telom, stezanja lista testere ili gubitka kontrole.
- e) **Hvatajte električni alat samo za izolovane drške, kada izvodite radove, kod kojih upotrebljeni alat može da sretne skrivene vodove ili sopstveni mrežni kabl.** Kontakt sa vodom koji provodi napon stavlja i metalne delove električnog alata pod napon i vodi električnom udaru.

- f) **Pri sečenju uvek koristite zaštitnu ogradu ili mehanizam za zaštitu ravne ivice.** Tako ćete poboljšati preciznost sečenja i smanjiti rizik od povezivanja sečiva.
- g) **Upotrebljavajte uvek listove testere prave veličine i sa odgovarajućim otvorom za prihvatač (naprimera u obliku zvezde ili okrugao).** Listovi testere, koji ne odgovaraju montažnim delovima testere, rade ekscentrično i utiču na gubitak kontrole.
- h) **Nemojte nikada da koristite oštećene ili neispravne zaptivače ili reze za sečivo.** Zaptivači i reze za sečivo su posebno dizajnirani za vašu testeru, radi optimalnih performansi i bezbednosti pri rukovanju.
- 2) TRZANJE - UZROCI I ODGOVARAJUĆA UPUTSTVA**
- Trzanje predstavlja iznenadnu reakciju na probijanje, udaranje ili loše poravnato sečivo testere, koje izaziva nekontrolisano pomeranje testere sa područja rada i podizanje ka operateru
  - Kada se sečivo probije ili snažno udari prilikom zatvaranja reza, sečivo se zaustavlja i motor ubrzano vodi jedinicu ka operateru
  - Ako se sečivo uvrne ili nije poravnato sa površinom koja se seče, zupci na stražnjoj ivici sečiva mogu da se zabiju u gornju površinu drveta i da izazovu dizanje sečiva iz reza i iskakanje ka operateru
  - Trzanje nastaje kao rezultat neispravnog rukovanja i/ili nepravilnih procedura u radu ili uslova i može da se izbegne preduzimanjem odgovarajućih mera predostrožnosti koje su dole navedene
- a) **Snažno držite ručku na tasteri obema rukama i postavite ruke tako da možete da izdržite trzanje. Telo treba da bude sa jedne strane sečiva, a ne u liniji sa sečivom.** Trzaj može da prouzrokuje da testera odskoči unazad, ali silinu trzaja operater može da kontroliše ukoliko su preduzete ispravne mere predostrožnosti.
- b) **Kada sečivo udari ili ako dođe do prekida sečenja iz bilo kog razloga, otpustite obarač i držite nepokretnu testeru u materijalu sve dok se sečivo sasvim ne zaustavi. Nikada ne pokušavajte da uklonite testeru sa područja rada ili da povučete testeru unazad kada je sečivo u pokretu ili kada dolazi do trzaja.** Istražite i preduzimajte određene akcije za popravljanje, da biste eliminisali uzroke udaranja sečiva. Izbegavajte sečenje eksera i šrafova.
- c) **Kada ponovo pokrećete testeru koja se nalazi na području rada, centrirajte testeru u rez i uverite se da se zupci testere ne nalaze u materijalu.** Ako sečivo udara, može da dođe do iskakanja iz područja rada ili trzaja kada se testera ponovo pokrene.
- d) **Ispod velikih ploča stavite podupirač, da biste smanjili rizik od probijanja sečiva i trzaja.** Velike ploče imaju tendenciju da se ugibaju pod sopstvenom težinom. Podupirač mora da se stavi ispod ploče sa obe strane, blizu linije sečenja i blizu ivice ploče.
- e) **Nemojte da koristite tupo ili oštećeno sečivo.** Nenaostrena ili nepravilno postavljena sečiva mogu da dovedu do uskog reza i prouzrokovati prekomernu trenje, udaranje sečiva ili trzanje.
- f) **Ruče za zaključavanje dubine sečenja i podešavanje kosine moraju da budu čvrste i osigurane pre početka sečenja.** Ako se podešavanje

za sečivo promeni tokom sečenja, može da dođe do udaranja i trzaja.

- g) **Budite posebno oprezni kod testerisanja u postojeće zidove ili druga nevidljiva područja.** Uronjeni list testere može pri testerisanju u skrivene objekte blokirati i prouzrokovati trzanje.
- 3) FUNKCIJA DONJE ZAŠTITNE MEHANIZMA**
- a) **Pre svake upotrebe proverite da li je donji zaštitni mehanizam ispravno zatvoren. Nemojte da započinjete rad sa testerom ako se donji zaštitni mehanizam slobodno ne pomera i odmah ne zatvara. Nemojte nikada da stavljate sponu ili povezujete donji zaštitni mehanizam u otvoreni položaj.** Ako se testera slučajno ispusti, donji zaštitni mehanizam mora da se savije. Iskopčajte utikač, podignite donji zaštitni mehanizam sa ručicom za uvlačenje i proverite da li se slobodno pomera i ne dodiruje sečivo ili bilo koji deo, pod svim uglovima i u svim dubinama sečenja.
- b) **Proverite oprugu donjeg zaštitnog mehanizma. Ako zaštitni mehanizam i opruga ne funkcionišu ispravno, moraju da se servisiraju pre upotrebe.** Donji zaštitni mehanizam će možda funkcionisati sporo zbog oštećenih delova, naslaga gume ili povećanja krhotina.
- c) **Donji zaštitni mehanizam treba ručno da se uvuče samo za posebne vrste sečenja, na primer za uronjeno i složeno sečenje. Podignite donji zaštitni mehanizam povlačenjem ručice i čim sečivo dodirne materijal, donji zaštitni mehanizam mora da se otpusti.** Za sve ostale vrste sečenja donji zaštitni mehanizam se automatski pokreće.
- d) **Uvek proverite da li donji zaštitni mehanizam prekriva sečivo pre nego što spustite testeru na klupu ili pod.** Nezaštićeno, rotirajuće sečivo može da prouzrokuje da se testera pokreće unazad i da iseče sve što joj se nađe na putu. Obratite pažnju na vreme potrebno da se sečivo zaustavi nakon što se prekidač otpusti.

## DODATNA SIGURNOSNA UPUTSTVA

### OPŠTA

- Ovaj alat ne treba da koriste osobe ispod 16 godina
- Ovaj alat nije podesan za vlažno sečenje
- **Obezbedno iskopčajte alat iz električne utičnice pre nego što izvršite bilo kakva podešavanja ili zamenu pribora**
- Nikada nemojte da koristite alat ako je kabl oštećen; zamenu kabla mora da obavi stručno lice
- **Ne obradujte nikakav materijal koji sadrži azbest** (azbest važi kao izazivač raka)
- Prašina od materijala, kao što su boja koja sadrži olovo, neke vrste drveta, minerali i metal, može biti opasna (dodir ili udisanje prašine može prouzrokovati alergijske reakcije i/ili respiratorna oboljenja rakuvaoca i lica u blizini); **nosite masku protiv prašine i radite uz uključeni uređaj za ekstrakciju prašine kada radite na mestima gde ju je moguće priključiti**
- Određene vrste prašine su klasifikovane kao kancerogene (kao što su prašina hrastovine i bukovine), posebno u sadejstvu sa aditivima za pripremu drveta; **nosite masku protiv prašine i radite uz uključeni**

## uređaj za ekstrakciju prašine kada radite na mestima gde ju je moguće priključiti

- Prati nacionalne propise vezane za prašinu koja se proizvodi prilikom rada na obrađivanim materijalima
- Koristite samo sto za rad koji je opremljen prekidačem koji sprečava ponovno pokretanje motora nakon prekida napona
- Koristite samo sto za rad koji je opremljen vodičem reza

## PRIBOR

- SKIL može priznati garanciju samo ukoliko je korišćen originalni pribor
- Koristite samo pribor čija je dozvoljena brzina u najmanju ruku jednaka najvećoj brzini pri praznom hodu električnog alata
- **Koristite isključivo listove testere minimalnog prečnika 170 mm, maksimalnog prečnika 184 mm, i sa otvorom za vreteno širine 16 mm**
- Nemojte nikada da koristite testere napravljene od HSS čelika
- Uz ovaj električni alat nikad nemojte da koristite diskove za oštrenje/sečenje

## PRE UPOTREBE

- Uvek se uverite da je napon struje isti kao i napon naveden na pločici sa nazivom alatu (alati na kojima je naveden napon od 230V ili 240V mogu da rade i na 220V)
- Izbegavajte oštećenja od šrafova, eksera i drugih predmeta na vašem području rada; uklonite ih pre nego što započnete rad
- Pre nego što započnete sečenje, uklonite sve prepreke na vrhu, kao i ispod putanje sečenja
- **Obezbedite radni predmet** (radni predmet stegnut pomoću stega ili nečeg sličnog je mnogo stabilniji neko kada se drži rukom)
- **Koristite odgovarajuće aparate za proveru dali se u zidu koji bušimo nalaze skrivene instalacije, ili za taj posao nađite odgovarajuće preduzeće** (kontakt sa električnim vodovima može izazvati požar ili električni udar; oštećenje gasovoda može izazvati eksploziju; probijanje cevi sa vodom uzrokuje štete ili može izazvati električni udar)
- Produžni kabl koji koristite mora da bude sasvim odmotan i siguran, sa kapacitetom od 16 A

## TOKOM UPOTREBE

- Buka koju alat proizvodi tokom rada može da premaši 85 dB(A); nosite zaštitu za sluh
- Nemojte nikada da koristite električni alat bez originalnog sistema za zaštitu
- Ne pokušavajte da sečete veoma mala područja rada
- Nemojte da radite sa ovim alatom iznad glave
- U slučaju atipičnog ponašanja ili nepoznatih zvukova odmah isključite alat i izvucite prekidač iz struje
- Ako se kabl ošteti ili preseče u toku rada, odmah ga iskopčajte i nemojte ga dodirivati

## NAKON UPOTREBE

- Kada završite rad sa alatom, isključite motor i proverite da li su se zaustavili svi pokretni delovi
- Nakon isključivanja kružne testere, nemojte nikada da zaustavljate obrtanje sečiva testere primenom bočne sile

## UPUTSTVO ZA KORIŠĆENJE

- Postavljanje sečiva testere ③  
! **iskopčajte utikač**
  - izvadite imbus ključ A iz skladišta B

- pritisnite dugme za zaključavanje vretena C i držite ga pritisnuto dok uklanjate rezu sečiva D sa imbus ključem
- ! **dugme za zaključavanje vretena C pritisnite kada se električni alat sasvim zaustavi**
- otpustite dugme za zaključavanje vretena C
- uklonite štitičnik E
- otvorite donji zaštitni mehanizam F pomoću ručice G i zadržite je prilikom montiranja lista testere; strelica utisnuta na sečivu mora da bude usmerena isto kao i strelica na gornjem zaštitnom mehanizmu
- otpustite donji zaštitni mehanizam F
- postavite štitičnik E
- ! **proverite da li su površine sa sponama H štitičnika potpuno čiste i okrenite sečivo**
- pritisnite dugme za zaključavanje vretena C i držite ga pritisnuto dok pričvršćujete rezu sečiva pomoću imbus ključa za 1/8 okreta nakon što zategnete prstima (tako se osigurava klizanje sečiva testere kada dođe do prekomernog otpora i zbog toga opterećenja motora i trzanja testere)
- otpustite dugme za zaključavanje vretena C
- Podešavanje dubine sečenja (0-65 mm) ④
  - radi optimalnog kvaliteta sečenja, sečivo testere ne bi trebalo da bude duže od 3 mm ispod područja rada
  - otpustite dugme J
  - podignite/spustite stopu K dok ne podesite željenu dubinu sečenja na skali korišćenjem indikatora L
  - pričvrstite dugme J
- Podešavanje ugla sečenja (0-45°) ⑤
  - otpustite dugme M
  - naginjte alat dok ne podesite željeni ugao sečenja korišćenjem indikatora N
  - pričvrstite dugme M
- ! **pri kosom sečenju, dubina sečenja ne odgovara vrednosti prikazanoj na skali za dubinu sečenja**
- Provera ugla sečenja od 90° ⑤
  - podesite i pričvrstite stopu K na maksimalnu dubinu sečenja ④
  - podesite i pričvrstite ugao sečenja na 0°
  - proverite ugao od 90° između sečiva i dna stope pomoću kvadrata
  - ako je podešavanje potrebno, otpustite dugme M i koristiti zavrtanj za podešavanje P kao što je prikazano na slici
- Podešavajući vizir za liniju sečenja Q ⑥a
  - za vođenje električnog alata duž željene linije označene na području rada
  - za ravno sečenje pod uglom od 0° ili koso sečenje pod uglom od 45° koristite liniju indikatora
- ! **širi deo stope bi trebalo da stoji na podupiraču na području rada**
- može se podesiti za odabir otpušavanja sa leve ili desne strane lista testere ⑥b
- ! **širina sečenja se određuje širinom zubaca sečiva, a ne širinom sečiva**
- ! **uvek prvo izvedite probno sečenje, da biste proverili stvarnu liniju sečenja**
- Usisavanje prašine
  - priključite usisivač na produžetak R ⑦
  - ! **nikada nemojte da dozvolite da crevo usisivača dođe u dodir sa donjim zaštitnim mehanizmom ili operacijom sečenja**

- može da se koristi i kesa za prašinu (SKIL pribor 2610387402)
- ! **ne koristite kesu za prašinu/usisivač kada sečete metal**
- Rukovanje alatom ⑦
  - uključite utikač u izvor napajanja
  - uvek jednom rukom čvrsto držite ručicu S, a drugom snažno držite ručicu T
  - postavite električni alat sa prednjim krajem ravne stope na područje rada
  - ! **proverite da listi testere nisu zakačeni za područje rada**
  - uključite alat tako da prvo pritisnete vijak V (= zaštitni vijak koji se ne može zaključati), a zatim povučete okidač W
  - ! **električni alat bi trebalo da bude u punoj brzini pre nego što sečivo dodirne područje rada**
  - donji zaštitni mehanizam F se automatski otvara kada sečivo prodre u područje rada (ručno otvorite donji zaštitni mehanizam pomoću ručice G samo za posebne vrste sečenja, na primer za uronjeno sečenje)
  - ! **ne koristite silu dok rukujete alatom** (primenite blag i kontinuiran pritisak da biste izbegli pregrevanje vrhova oštrica i, ukoliko sečete plastiku, topljenje plastičnog materijala)
  - ! **dok radite, uvek držite alat za mesto(a) koje(a) su označena sivom bojom**
  - nakon završetka sečenja, isključite alat otpuštanjem obarača W
  - ! **pre nego što podignete alat sa područja rada, proverite da li je došlo do potpunog prekida rada sečiva**

## SAVETI ZA PRIMENU

- Prilikom korišćenja vodeće šine (SKIL pribor 2610Z04064) u kombinaciji sa adapterom dubina reza će biti smanjena za 14 mm za rezove pod uglom od 90°, kao i pod uglom od 45°
- Dobru stranu područja rada uvek okrenite nadole, da biste osigurali minimalno cepanje
- Koristite samo oštra sečiva, pravog tipa ⑧
  - kvalitet sečenja se poboljšava sa brojem zubaca
  - sečiva sa karbidnim vrhom ostaju oštra 30 puta duže od običnih sečiva
- Bočna ograda Y ⑨
  - za pravljenje tačnih rezova duž ivice područja rada
  - može da se umetne na bilo koju stranu stope
 Podešavanje bočne ograde
  - otpustite dugme Z
  - podesiti željenu širinu sečenja pomoću skale na bočnoj ogradi (koristite vizir za liniju sečenja Q kao nulti položaj)
  - pričvrstite dugme Z
- Uronjeno sečenje ⑩
  - podesite željenu dubinu sečenja
  - nagnuti alat upravno sa vizirom linije sečenja Q paralelno sa željenom linijom sečenja označenom na radnom predmetu
  - otvorite donji zaštitni mehanizam F pomoću ručice G
  - neposredno pre nego što sečivo dodirne područje rada, uključite električni alat i postepeno spuštajte stražnji kraj alata korišćenjem prednjeg kraja stope kao pokazivača

- postepeno pomerajte alat nadole i napred
- čim sečivo dodirne u materijal otpustite ručicu G
- ! **nemojte nikad da gurate alat unazad**
- Sečenje velikih ploča ⑪
  - postavite ploču blizu sečenja na pod, sto ili na radni sto
  - ! **podesite dubinu sečenja tako da sečete kroz ploču, a ne kroz podupirač**
  - u slučaju da bočna ograda ne omogućava željenu širinu sečenja, zakačite sponom ili ekserom deo drveta na područje rada kao vodič i koristite desnu stranu stope uz ovaj vodič

## ODRŽAVANJE / SERVIS

- Ovaj alat nije namenjen za profesionalnu upotrebu
- Alat i kabl uvek održavajte čistim (posebno otvore za hlađenje)
  - ! **pre čišćenja iskopčajte kabl iz utičnice**
- Neka prostor oko donjeg štitnika F ③ uvek bude čist (uklonite prašinu i opiljke produvanjem komprimovanim vazduhom ili četkom)
- Sečivo testere očistite neposredno posle upotrebe (posebno od smole i lepka)
- Ako bi alat i pored brižljivog postupka izrade i kontrole nekada otkazao, popravku mora vršiti neki autorizovani servis za SKIL-električne alate
  - pošaljite **nerastavljeni** alat zajedno sa potvrdom o kupovini vašem nabavljaču ili najbližem SKIL servisu (adrese i oznake rezervnih delova možete naći na [www.skil.com](http://www.skil.com))

## ZAŠTITA OKOLINE

- **Električne alate, pribora i ambalaže ne odlažite u kućne otpatke** (samo za EU-države)
  - prema Evropskoj direktivi 2012/19/EG o staroj električnoj I elektronskoj opremi i njenoj upotrebi u skladu sa nacionalnim pravom, električni alati koji su istrošeni moraju biti sakupljeni odvojeno i dostavljeni pogonu za reciklažu
  - simbol ⑫ će vas podsetiti na to

## DEKLARACIJA O USKLAĐENOSTI CE

**Kružna testera 5665/5765**

**Tehnički podaci** ⑬

- Izjavljujemo na vlastitu odgovornost da je pod "Tehnički podaci" opisani proizvod usaglašen sa sledećim standardima ili normativnim aktima: EN 60745, EN 61000, EN 55014 prema odredbama smernica 2014/30/EU, 2006/42/EG, 2011/65/EU
- **Tehnička dokumentacija kod:** SKIL Europe BV (PT-SEU/ENG1), 4825 BD Breda, NL

Marijn van der Hoofden  
Operations & Engineering

Olaf Dijkgraaf  
Approval Manager

SKIL Europe BV, 4825 BD Breda, NL

16.10.2014

## BUKA/VIBRACIJE

- Mereno u skladu sa EN 60745 nivo pritiska zvuka ovog alata iznosi 97 dB(A) a jačina zvuka 108 dB(A) (normalno odstupanje: 3 dB), a vibracija \* m/s<sup>2</sup> (zbir vektora tri pravca; nesigurnost K = 1,5 m/s<sup>2</sup>)
    - \* pri sečenju drvo 2,6 m/s<sup>2</sup>
    - \* pri sečenju metal 2,2 m/s<sup>2</sup>
  - Nivo emisije vibracija izmeren je u skladu sa standardizovanim testom datim u EN 60745; on se može koristiti za upoređenje jedne alatke sa drugom, kao i za preliminarnu procenu izloženosti vibracijama pri korišćenju ove alatke za pomenute namene
    - korišćenje alatke u drugačije svrhe ili sa drugačijim ili slabo održavanim nastavcima može značajno **povećati** nivo izloženosti
    - vreme kada je alatka isključena ili kada je uključena, ali se njome ne radi, može značajno  **smanjiti** nivo izloženosti
- ! zaštitite se od posledica vibracija održavanjem alatke i njenih nastavaka, održavajući Vaše ruke toplim i organizovanjem Vaših radnih obrazaca**

SLO

## Kročna žaga

5665/5765

## UVOD

- To orodje je namenjeno za vzdolžno in prečno rezanje lesa, tako za ravne reze, kot pod kotom do 45°; z uporabo ustreznih žaginih listov pa tudi za neželezne kovine, lahke gradbene materiale in plastične mase
- Orodje ni namenjeno profesionalni uporabi
- Preberite in shranite navodila za uporabo ②

## TEHNIČNI PODATKI ①

## VARNOST

### SPLOŠNA VARNOSTNA NAVODILA

**⚠ OPOZORILO! Preberite vsa opozorila in napotila.** Napake zaradi neupoštevanja spodaj navedenih opozoril in napotil lahko povzročijo električni udar, požar in/ali težke telesne poškodbe. **Vsa opozorila in napotila shranite, ker jih boste v prihodnje še potrebovali.** Pojem "električno orodje", ki se pojavlja v nadaljnjem besedilu, se nanaša na električna orodja z električnim pogonom (z električnim kablom) in na akumulatorska električna orodja (brez električnega kabla).

### 1) VARNOST NA DELOVNEM MESTU

- Poskrbite, da bo Vaše delovno mesto vedno čisto in urejeno.** Nered ali neosvetljena delovna področja lahko povzročijo nezgode.
- Prosimo, da orodja ne uporabljate v okolju, kjer je nevarnost za eksplozije in v katerem se nahajajo gorljive tekočine, plini in prah.** Električna orodja povzročajo iskrenje, zato se gorljivi prah ali pare lahko vnamejo.
- Ne dovolite otrokom in drugim osebam, da bi se medtem ko delate, približali električnemu orodju.**

Druge osebe lahko odvrnejo Vašo pozornost drugam in izgubili boste nadzor nad orodje.

### 2) ELEKTRIČNA VARNOST

- Vtič mora ustrezati električni vtičnici in ga pod nobenim pogojem ne smete spreminjati. Uporaba adapterskih vtičev v kombinaciji z ozemljena orodja ni dovoljena.** Originalni oziroma nespremenjeni vtiči in ustrezne vtičnice zmanjšujejo tveganje električnega udara.
- Izogibajte se telesnemu stiku z ozemljenimi površinami, na primer s cevmi, grelci, štedilniki in hladilniki.** Če je ozemljeno tudi vaše telo, obstaja povečano tveganje električnega udara.
- Zavarujte orodje pred dežjem ali vlago.** Vdor vode v električno orodje povečuje tveganje električnega udara.
- Električnega kabla ne uporabljajte za prenašanje ali obešanje orodja in ne vlecite vtič iz vtičnice tako, da vlečete za kabel. Zavarujte kabel pred vročino, oljem, ostrimi robovi in premikajočimi se deli orodja.** Poškodovani ali prepleteni kabli povečujejo tveganje električnega udara.
- Če z električnim orodjem delate na prostem, uporabljajte izključno kabelski podaljšek, ki je atestiran za delo na prostem.** Uporaba kabelskega podaljška, primerne za delo na prostem, zmanjšuje tveganje električnega udara.
- Če je uporaba električnega orodja v vlažnem okolju neizogibna, uporabljajte prekinjevalec električnega tokokroga.** Prekinjevalca električnega tokokroga zmanjšuje tveganje električnega udara.

### 3) OSEBNA VARNOST

- Bodite zbrani in pazite, kaj delate. Dela z električnim orodjem se lotite razumno. Nikoli ne uporabljajte orodja, če ste utrujeni in če ste pod vplivom mamil, alkohola ali zdravil.** En sam trenutek nepazljivosti pri uporabi orodja ima lahko za posledico resne telesne poškodbe.
- Uporabljajte osebna zaščitna sredstva in vedno nosite zaščitna očala.** Uporaba osebnih zaščitnih sredstev, na primer maske proti prahu, nedrsečih zaščitnih čevljev, zaščitne čelade in glušnikov, odvisno od vrste in uporabe električnega orodja, zmanjšuje tveganje telesnih poškodb.
- Izogibajte se nenamernemu zagonu. Pred priključitvijo električnega orodja na električno omrežje in/ali na akumulator in pred dviganjem ali nošenjem se prepričajte, če je električno orodje izklopljeno.** Prenašanje naprave s prstom na stikalo ali priključitev vklopljenega električnega orodja na električno omrežje je lahko vzrok za nezgodo.
- Pred vklopom orodja odstranite z nje nastavitvena orodja ali vijaki ključ.** Orodje ali ključ, ki se nahajata na vrtečem se delu električnega orodja, lahko povzročita nezgodo.
- Ne prečenjate se in poskrbite za varno stojišče in stalno ravnotežje.** Tako boste lahko v nepričakovani situaciji bolje obvladali orodje.
- Nosite primerno obleko, ki naj ne bo preohlapna. Ne nosite nakita. Lasje, oblačilo in rokavice naj se ne približujejo premikajočim se delom orodja.** Premikajoči se deli orodja lahko zgrabijo ohlapno obleko, nakit, ali dolge lase.



- g) Če je možno na orodje namestiti priprave za odsesavanje in prestrezanje prahu, prepričajte se, ali so le-te priključene in, če jih pravilno uporabljate. Uporaba priprave za odsesavanje prahu zmanjšuje zdravstveno ogroženost zaradi prahu.

#### 4) RAVNANJE IN NEGA ROČNEGA ORODJA

- a) **Ne preobremenjujte orodja. Za določeno delo uporabljajte električno orodje, ki je predvideno za opravljanje tega dela.** Z ustreznim električnim orodjem boste delo opravili bolje in varneje, ker je bilo v ta namen tudi konstruirano.
- b) **Električno orodje, ki ima pokvarjeno stikalo, ne uporabljajte.** Električno orodje, ki ga ni možno vklopiti ali izklopiti, je nevarno in ga je potrebno popraviti.
- c) **Pred nastavljanjem naprave, zamenjavo delov pribora ali odlaganjem naprave izvlecite vtičak iz električne vtičnice in/ali odstranite akumulator.** Ta previdnostni ukrep onemogoča nepredviden zagon orodja.
- d) **Kadar orodja ne uporabljate ga shranjujte izven dosega otrok. Osebam, ki orodja ne poznajo ali niso prebrale teh navodil, orodja ne dovolite uporabljati.** Električna orodja so nevarna, če jih uporabljajo neizkušene osebe.
- e) **Skrbno negujte orodje. Preverite, če premikajoči se deli orodja delujejo brezhibno in če se ne zatikajo, oziroma, če kakšen del orodja ni zlomljen ali poškodovan do te mere, da bi oviral njegovo delovanje. Pred nadaljnjo uporabo je potrebno poškodovani del popraviti.** Vzrok za številne nezgode so ravno slabo vzdrževana električna orodja.
- f) **Rezalna orodja naj bodo ostra in čista.** Skrbno negovana rezalna orodja z ostrimi rezili se manj zatikajo in so bolj vodljiva.
- g) **Električna orodja, pribor, nastavek in podobno uporabljajte v skladu s temi navodili. Pri tem upoštevajte delovne pogoje in vrsto dela, ki ga nameravate opraviti.** Zaradi uporabe električnega orodja v druge, nepredvidene namene, lahko nastanejo nevarne situacije.

#### 5) SERVIS

- a) **Popravilo orodja lahko opravi samo usposobljena strokovna oseba in to izključno z originalnimi nadomestnimi deli.** Le tako bo ohranjena nadaljnja varnost orodja.

#### VARNOSTNA NAVODILA ZA KROŽNE ŽAGE

##### 1) POSTOPEK ŽAGANJA

- a) **NEVARNO** : Ne približujte rok področju žaganja in žaginemu listu. Drugo roko imejte na dodatnem ročaju ali ohlajši motorja. Če boste žago držali z obema rokama, ju žagin list ne bo mogel poškodovati.
- b) **Ne segajte pod obdelovanec.** Pod obdelovancem vas gibljivi ščit ne more ščititi pred rezilom.
- c) **Nastavite globino reza glede na obdelovanec.** Izpod obdelovanca naj gleda manj kot cel zob rezila.
- d) **Obdelovanec, ki ga želite žagati, v nobenem primeru ne smete držati z roko ali nad nogo.** Obdelovanec stabilizirajte v nasedu. Pomembno je, da obdelovanec dobro pritrjete in s tem zmanjšate nevarnost, ki nastane s telesnim stikom, zaradi običajna žaginega lista ali zaradi izgube kontrole.

- e) **Če izvajate dela, pri katerih bi lahko vstavno orodje zadelo ob skrite električne vodnike ali ob lastni omrežni kabel, držite električno orodje samo za izolirane ročaje.** Stik z vodnikom, ki je pod napetostjo, prenese napetost tudi na kovinske dele električnega orodja in povzroči električni udar.
- f) **Pri daljših rezih vedno uporabite stransko vodilo.** To izboljša natančnost reza in zmanjša možnost zaustavljanja rezila.
- g) **Vedno uporabljajte žagine liste prave velikosti in primerne prijemalne odprtine (na primer zvezdaste ali okrogle).** Žagini listi, ki se me prilegajo montažnim delom žage, se vrtijo neenakomerno in povzročijo izgubo nadzora.
- h) **Nikoli ne uporabljajte poškodovanih ali neustreznih vijakov ali podložk za pritrjevanje rezila.** Za optimalno delo in varnost uporabnika so podložke za vašo žago posebej konstruirane.

##### 2) POVRATNI SUNEK - VZROKI IN USTREZNA NAVODILA

- Povratni sunek je nenadna reakcija na stisnjen, zavrt ali napačno obrnjen žagin list, ki povzroči nenadzorovan sunek žage iz obdelovanca navzgor proti uporabniku
  - Če je žagin list stisnjen v obdelovancu ali pa se zaradi zapiranja reza na zadnji strani močno zagodži vanj, se žagin list zaustavi, delujoč motor pa povzroči nenaden sunek proti uporabniku
  - Če je žagin list pri rezanju zvit ali ni vzporeden z vodilom, se lahko zobje na zadnjem delu lista močno zarijejo na vrhno stran lesa kar povzroči dvig žaginega lista iz reza in sunek proti uporabniku
  - Povratni sunek je posledica napačne uporabe orodja ali/ in nepravilne uporabe ali okoliščin; prepreči se lahko z naslednjimi primernimi varnostnimi ukrepi
- a) **Čvrsto držite žago z obema rokama in s položajem vaših rok preprečite moč povratnih sunkov. Položaj telesa naj bo na eni ali drugi strani rezila in ne na sredini linije reza.** Povratni sunek bi lahko povzročil sunek žage nazaj, vendar je moč povratnih sunkov lahko nadzorovana s strani uporabnika z upoštevanjem varnostnih ukrepov.
- b) **Kadar se rezilo zaustavlja ali kadar se rezanje iz kakršnegakoli vzroka prekinja, spustite gumb in nepremično držite žago v obdelovancu dokler se rezilo ne zaustavi. Nikoli ne poskušajte odmakniti žage iz obdelovanca ali povleči žago nazaj dokler se rezilo vrti, ker lahko pride do povratnega sunka.** Raziščite in odpravite vzroke zaustavljanja. Izogibajte se rezanju žebeljev ali vijakov.
- c) **Pri ponovnem začetku rezanja postavite rezilo žage v rez in preverite, da se zobje rezila ne dotikajo obdelovanca.** Če se bo rezilo žage pri ponovnem začetku zaustavljalo, bo rezilo sililo navzgor iz obdelovanca ali pa bo prišlo do povratnega sunka.
- d) **Podprite večje plošče, da zmanjšate nevarnost stiskanja ali povratnega sunka.** Večje plošče se zaradi svoje teže povešajo. Podprtje mora biti pod ploščami na obeh straneh, blizu linije reza in blizu robu plošče.
- e) **Ne uporabljajte topih ali poškodovanih rezil.** Neostra in nepravilno nameščena rezila napravijo ozek rez, ki povzroča pretirano trenje, zaustavljanje in povratni sunek.
- f) **Pred rezanjem morata biti vodili nastavite globine reza in naklona reza čvrsto in varno pritrjeni.** Če se

nastavitev reza med delom premakne, to lahko povzroči zaustavljanje ali povratni sunek.

- g) **Bodite posebej previdni pri žaganju v obstoječe stene ali območja, ki jih ne vidite.** Potopljen žagin list se lahko pri žaganju v skrite objekte zablokira in to lahko povzroči povratni sunek.

### 3) FUNKCIJA GIBLJIVEGA ŠČITA

- a) **Pred vsako uporabo preverite pravilno delovanje gibljivega ščita. Ne uporabljajte žage, če se gibljivi ščit ne giblje prosto ali se takoj ne vrne v osnovni položaj. Nikoli ne pripnite ali privežite gibljivi ščit v odprtem položaju.** Če žaga po nesreči pade, je gibljivi ščit lahko skrivljen. Izključite vtiakač, dvignite gibljivi ščit s potegom ročice in se prepričajte, da se prosto giblje in se ne dotika reza ali ostalih delov v celotnem območju njegovega pomika.
- b) **Preverite delovanje vzmeti gibljivega ščita. Če gibljivi ščit in vzmet ne delujeta pravilno, ju je pred uporabo potrebno popraviti.** Gibljivi ščit se lahko giblje počasno tudi zaradi poškodovanih delov, smolnatih strdkov, ostankov mait.
- c) **Gibljivi ščit se lahko ročno premakne le pri posebnih rezih kot npr. potopnih rezih ali poravnalnih rezih. Dvignite gibljivi ščit s potegom ročice - ko rezilo zarezje v obdelovanec, gibljivi ščit sprostite.** Pri ostalih načinih žaganja naj gibljivi ščit deluje samodejno.
- d) **Vedno pazite, da gibljivi ščit pokrije rezilo pri postavljanju žage na delovno mizo ali tla.** Nezaščiten in vrteče se rezilo bo povzročilo poskakovanje žage in poškodbo vsega, kar je na njeni poti. Pazite na čas od izključitve orodja do zaustavitve rezila.

### DODATNA VARNOSTNA NAVODILA

#### SPLOŠNO

- Orodja naj ne bi uporabljale osebe mlajše od 16 let
- To orodje ni primerno za mokro rezanje
- **Vedno izvlecite električni vtiakač iz vtičnice preden spreminjate nastavitve ali menjate pribor**
- Nikoli ne uporabljajte orodja, če je kabel poškodovan; okvaro naj odpravi strokovnjak
- **Ne obdelujte materiala, ki vsebuje azbest** (azbest povzroča rakasta obolenja)
- Prah materialov, kot so barve, ki vsebujejo svinec, nekatere vrste lesa, mineralov ali kovin so lahko škodljivi (ob stiku ali vdihavanju lahko prah pri delavcu ali pri drugih prisotnih povzroči alergijsko reakcijo in/ali boleznih dihal); **nosite masko za prah in pri delu uporabljajte napravo za odsesavanje prahu, kjer je le-to možno priključiti**
- Nekatere vrste prahu so klasificirane kot kancerogene (kot npr. prah hrasta in bukve) še posebno ob sočasni uporabi z dodatki za obdelavo lesa; **nosite masko za prah in pri delu uporabljajte napravo za odsesavanje prahu, kjer je le-to možno priključiti**
- Upoštevajte nacionalne zahteve glede prahu za materiale katere želite obdelovati
- Uporabljajte delovne mize le z vgrajenim stikalom, ki ob prekinitvi električnega napajanja preprečuje samodejen start motorja
- Uporabljajte mize le z vgrajenim razpornim klinom

#### PRIBOR

- SKIL zagotavlja brezhibno delovanje orodja le z uporabo originalnega dodatnega pribora
- Uporabljajte lahko dodatni pribor, katerega dovoljena hitrost je najmanj enaka največji hitrosti orodja
- **Uporabljajte samo liste žage s premerom najmanj 170 mm in največ 184 mm ter luknjo za vreteno premera 16 mm**
- Nikoli ne uporabljajte žaginih listov, ki so izdelani iz hitroreznega jekla (HSS)
- S tem orodjem nikoli ne uporabljajte brusilnih ali rezalnih plošč

#### PRED UPORABO

- Vedno preverite, če je napetost omrežja enaka napetosti, ki je navedena na tablici orodja (orodje z nazivno napetostjo 230V ali 240V lahko priključite tudi na napetost 220V)
- Izogibajte se poškodb zaradi vijakov, žebeljev ali drugih elementov v obdelovancu; odstranite jih pred začetkom dela
- Odstranite ovire nad in pod linijo reza že pred začetkom žaganja
- **Zavarujte obdelovanec** (obdelovanec stisnjen v prižemi ali primežu je bolj varen kot v roki)
- **Za iskanje skritih električnih, plinskih in vodovodnih cevi uporabite primerne iskalne naprave (detektorje) ali se posvetujte z lokalnimi podjetji** (stik z električnimi vodniki lahko povzroči požar ali električni udar; poškodbe plinovoda lahko povzročijo eksplozijo, vdor v vodovodno omrežje pa materialno škodo ali električni udar)
- Uporabljajte povsem iztegnjene in varne električne podaljške, z jakostjo 16 amperov

#### MED UPORABO

- Med delom lahko nivo hrupa presega 85 dB(A); uporabljajte zaščito proti hrupu
- Nikoli ne uporabljajte orodja brez originalnega sistema zaščite
- Ne poskušajte žagati zelo majhnih kosov
- Ne uporabljajte orodja za dela nad glavo
- V primeru električnih ali mehanskih motenj takoj izključite orodje in izvlecite vtiakač iz vtičnice
- Če je priključni kabel poškodovan ali se med delom pretрга se ga ne dotikajte, temveč takoj potegnite električni vtiakač iz vtičnice

#### PO UPORABI

- Ko orodje postavite v stran, izklopite motor in pazite, da se vsi premikajoči se deli orodja popolnoma zaustavijo
- Po izključitvi krožne žage, nikoli ne zavirajte vrtenja žaginega lista z bočno silo

### UPORABA

- Namestitev žaginega lista ③
  - ! **izključite vtiakač**
  - vzemite inbus ključ A, ki je shranjen v ležišču B
  - pritisnite gumb za blokado vretena C in ga držite medtem, ko z inbus ključem odvijate vijak D
  - ! **gumb za blokado vretena C pritisnite, ko je orodje popolnoma zaustavljeno**
  - sprostite gumb za blokado vretena C
  - odstranite priborico E
  - odprite gibljivi ščit F z vzvodom G in ga držite medtem, ko namestite žagin list; žagin list namestite tako, da zobje lista in na njem natisnjena puščica kažejo v isto smer kot puščica na zgornjem ščitu

- sprostite gibljivi ščit F
- namestite prirobnico E
- ! **prepričajte se, da so naležne površine prirobnic H popolnoma čiste in obrnjene proti listu**
- pritisnite gumb za blokado vretena C in ga držite, medtem z inbus ključem pritegnite vijak lista za 1/8 vrtljaja več kot z roko (to zagotavlja zdrsa lista, če le ta naleti na premočno oviro; tako se zmanjša preobremenitev motorja in povratni sunek žage)
- sprostite gumb za blokado vretena C
- Nastavitev globine reza (0-65 mm) ④
  - za optimalno kakovosten rez naj list žage ne sega iz obdelovanca več kot 3 mm
  - popustite gumb J
  - naravnajte/spustite podnožje K do nastavitve zelene globine z uporabo skale L
  - pritrdite gumb J
- Nastavitev kota reza (0 - 45°) ⑤
  - popustite gumb M
  - nagnite orodje do nastavitve zelenega kota reza z uporabo skale N
  - pritrdite gumb M
- ! **pri poševnem rezu, globina reza ne ustreza označeni globini na skali**
- Preverjanje kota reza pri 90° ⑤
  - nastavite in pritrdite podnožje K v položaj maksimalne globine reza ④
  - naravnajte in pritrdite kot reza na 0°
  - s kotnikom preverite, če kot med žaginim listom in spodnjo stranjo podnožja ustreza 90°
  - če je potrebna nastavitev, popustite gumb M in uporabite nastavitveni vijak P, kot je prikazano
- Nastavljiv vizir linije reza Q ⑥a
  - pri vodenju orodja po črti reza na obdelovancu
  - indikator linije reza uporabite pri ravnih rezih (0°) ali poševnih rezih (45°)
- ! **širši del sani vodimo po podprtem delu obdelovanca**
- z nastavitvijo lahko izbiramo, ali je odpadni material na notranji ali zunanji strani žaginega lista ⑥b
- ! **širina reza je določena s širino zob žaginega lista in ne z debelino telesa lista**
- ! **vedno najprej napravite poskusne reze za preverjanje dejanske črte reza**
- Odsesavanje prahu
  - priključite sesalnik na stranski priključek R ⑦
- ! **cev sesalnika ne sme nikoli ovirati gibljivega ščita ali samega rezanja**
- lahko je uporabljena tudi vrečka za prah (SKIL pribor 2610387402)
- ! **ne uporabljajte vrečke za prah/sesalnika pri rezanju kovine**
- Upravljanje orodja ⑦
  - vključite vtičač v vtičnico
  - vedno čvrsto držite z eno roko ročaj S in z drugo roko ročaj T
  - položite orodje s sprednjim delom podnožja na obdelovanec
- ! **zagotovite, da se zobje žaginega lista ne dotikajo obdelovanca**
- orodje vključite tako, da najprej stisnete gumb V (varnostno stikalo, katero ne sme biti blokirano), nato pa pritisnite gumb W

- ! **orodje naj doseže polno hitrost, preden list žage zareže v obdelovanec**
- gibljivi ščit F se odpre samodejno, ko pričnemo z rezanjem (vzvod za dvig gibljivega ščita G uporabljajte le v izjemnih primerih rezanja - potopni rezi)
- ! **z orodjem ne ravnajte nasilno** (pritisčajte rahlo in neprekinjeno, da se izognete pregrevanju konic rezila, v primeru rezanja umetne mase pa tudi topljenju umetne mase)
- ! **med delom vedno držite orodje za sivo obarvano mesto prijema**
- po opravljenem rezu orodje izključimo s sprostitvijo stikala W
- ! **prepričajte se, da je žagin list popolnoma zaustavljen, preden orodje odmaknete iz obdelovanca**

## UPORABNI NASVETI

- Pri uporabi vodila (dodatna oprema SKIL 2610Z04064) v kombinaciji s prilagodilnikom je globina reza zmanjšana za 14 mm pri rezih pod 90° in 45°
- Vedno obrnite boljšo stran obdelovanca navzdol, da zagotovite minimalno trganje obdelovanca
- Uporabljajte le ostre žagine liste pravih tipov ⑧
  - kvaliteta reza se izboljša z večjim številom zob lista
  - karbidne konice lista ostanejo ostre 30 krat dlje kot običajne konice
- Stransko vodilo Y ⑨
  - za izvedbo natančnih rezov vzdolž robu obdelovanca
  - na podnožje je lahko nameščeno z leve ali desne strani
- Nastavitev stranskega vodila
  - popustite vijak Z
  - s pomočjo skale na vodilu izberite zeleno širino reza (uporabite vizir linije reza Q kot nično izhodiščno točko)
  - pritrdite vijak Z
- Potopno rezanje ⑩
  - nastavite zeleno globino rezanja
  - nagnite orodje naprej, tako da je vizir linije reza Q poravnani z označeno linijo reza na obdelovancu
  - odprite gibljivi ščit F z vzvodom G
  - tik preden žagin list približamo obdelovancu, vključimo orodje in postopoma spuščamo zadnji del žage; pri tem nam naslonjen prednji del žage služi kot tečaj
  - postopoma pomikamo orodje navzdol in tudi naprej
  - ko list doseže obdelovanec, sprostimo vzvod G
- ! **orodja nikoli ne pomikamo vzvratno**
- Rezanje večjih plošč ⑪
  - ploščo podprite blizu reza tako na tleh, mizi kot delovni mizi
- ! **nastavite globino reza samo skozi ploščo, ne pa tudi skozi podporo**
- v primeru, da stransko vodilo ne omogoča želene širine reza, pritrdite ali pribijte raven kos lesa na obdelovanec kot vodilo in uporabite desno stran podnožja za vodenje ob tem vodilu

## VZDRŽEVANJE/SERVISIRANJE

- Orodje ni namenjeno profesionalni uporabi
- Priključni kabel in orodje naj bosta vedno čista (posebej še prezračevalne odprtine)
- ! **izvlecite vtičač iz vtičnice pred čiščenjem**

- Vedno vzdržujte čistočo območja okoli gibljivega ščita F ③ (prah in odrezke odstranite s preprihovanjem s stisnjenim zrakom ali krtačo)
- Po uporabi takoj očistite žagin list (posebno od smol in lepil)
- Če bi kljub skrbnima postopkoma izdelave in preizkušanja prišlo do izpada delovanja orodja, naj popravilo opravi servisna delavnica, pooblaščen za popravila SKILevih električnih orodij
  - pošljite **nerazstavljeno** orodje skupaj s potrdilom o nakupu pri vašemu prodajalcu v najbližjo SKIL servisno delavnico (naslovi, kot tudi spisek rezervnih delov se nahaja na [www.skil.com](http://www.skil.com))

## OKOLJE

- **Električna orodja, pribora in embalaže ne odstranjujte s hišnimi odpadki** (samo za države EU)
  - v skladu z Evropsko direktivo 2012/19/EG o odpadni električni in elektronski opremi in z njenim izvajanjem v nacionalni zakonodaji je treba električna orodja ob koncu njihove življenjske dobe ločeno zbirati in jih predati v postopek okolju prijaznega recikliranja
  - ko je potrebno odstranjevanje, naj vas o načinu spomni simbol ⑫

## IZJAVA O SKLADNOSTI CE

**Krožna žaga 5665/5765**

**Tehnični podatki** ①

- Izjavljamo pod izključno odgovornostjo, da proizvod pod "Tehnični podatki" ustreza naslednjim standardom oz. standardiziranim dokumentom: EN 60745, EN 61000, EN 55014 v skladu z določili direktiv 2014/30/EU, 2006/42/ES, 2011/65/EU
- **Tehnična dokumentacija se nahaja pri:** SKIL Europe BV (PT-SEU/ENG1), 4825 BD Breda, NL

Marijn van der Hoofden  
Operations & Engineering

Olaf Dijkgraaf  
Approval Manager

SKIL Europe BV, 4825 BD Breda, NL

16.10.2014

## HRUP/VIBRACIJA

- Izmerjeno v skladu s predpisom EN 60745 je raven zvočnega pritiska za to orodje 97 dB(A) in jakosti zvoka 108 dB(A) (standarden odmik: 3 dB), in vibracija \* m/s<sup>2</sup> (vektorska vsota treh smeri; netočnost K = 1,5 m/s<sup>2</sup>)
  - \* pri rezanju les 2,6 m/s<sup>2</sup>
  - \* pri rezanju kevin 2,2 m/s<sup>2</sup>
- Raven oddajanja vibracij je bila izmerjena v skladu s standardiziranimi testi, navedenimi v EN 60745; uporabiti jo je mogoče za primerjavo različnih orodij med seboj in za predhodno primerjavo izpostavljenosti vibracijam pri uporabi orodja za namene, ki so omenjeni
  - uporaba orodja za drugačne namene ali uporaba skupaj z drugimi, slabo vzdrževanimi nastavki lahko znatno **poveča** raven izpostavljenosti

- čas, ko je orodje izklopljeno ali ko teče, vendar z njim ne delamo, lahko znatno **zmanjša** raven izpostavljenosti
- ! **pred posledicami vibracij se zaščitite z vzdrževanjem orodja in pripadajočih nastavkov, ter tako, da so vaše roke tople, vaši delovni vzorci pa organizirani**

EST

**Ketassaag**

**5665/5765**

## SISSEJUHATUS

- Tööriist on ettenähtud piki- ja ristlöigete tegemiseks puidus otse või kuni 45° kaldenurga all; vastavate saeketatenga on võimalik saagida ka värvilisi metalle, kergeid ehitusmaterjale ja plasmaterjale
- Tööriist pole mõeldud professionaalseks kasutamiseks
- Palun lugege käesolev kasutusjuhend hoolikalt läbi ja hoidke alles ②

## TEHNILISED ANDMED ①

## OHUTUS

### ÜLDISED OHUTUSJUHISED

**⚠ TÄHELEPANU!** Kõik ohutusnõuded ja juhised tuleb läbi lugeda. Ohutusnõuete ja juhiste eiramise tagajärjeks võib olla elektrilöökk, tulekahju ja/või rasked vigastused. **Hoidke kõik ohutusnõuded ja juhised edasiseks kasutamiseks hoolikalt alles.** Allpool kasutatud mõiste "elektriline tööriist" käib võrgutoitega (toitejuhtmega) elektriliste tööriistade ja akutoitega (ilma toitejuhtmega) elektriliste tööriistade kohta.

### 1) OHUTUSNÕUDED TÖÖPIIRKONNAS

- Hoidke töökoht puhas ja korras.** Segadus või valgustamata tööpiirkonnad võivad põhjustada õnnetusi.
- Ärge kasutage seadet plahvatusohtlikus keskkonnas, kus leidub tuleohtlikke vedelikke, gaase või tolmu.** Elektrilistest tööriistadest lööb sademeid, mis võivad tolmu või auru süüdata.
- Kui kasutate elektrilist tööriista, hoidke lapsed ja teised isikud töökohest eemal.** Kui Teie tähelepanu kõrvale juhitakse, võib seade Teie kontrolli alt väljuda.

### 2) ELEKTROOHUTUS

- Seadme pistik peab pistikupesasse sobima. Pistiku kallal ei tohi teha mingeid muudatusi. Ärge kasutage kaitsemaandusega seadmete puhul adapterpistikuid.** Muutmata pistikud ja sobivad pistikupesad vähendavad elektrilöögi saamise riski.
- Vältige kehakontakti maandatud pindadega, nagu torud, radiaatorid, pliidid ja külmikud.** Kui Teie keha on maandatud, on elektrilöögi risk suurem.
- Hoidke seadet vihma ja niiskuse eest.** Kui elektriseadmesse on sattunud vett, on elektrilöögi saamise risk suurem.
- Ärge kasutage toitejuhet selleks mitte ettenähtud otstarbel seadme kandmiseks, ülesriputamiseks ega pistiku pistikupesast väljatõmbamiseks. Hoidke toitejuhet kuumuse, õli, teravate servade ja seadme**

liikuvate osade eest. Kahjustatud või keerduläinud toitejuhtmed suurendavad elektrilöögi saamise riski.

- e) **Kui töötate elektrilise tööriistaga vabas õhus, kasutage ainult selliseid pikendusjuhtmeid, mida on lubatud kasutada ka välistingimustes.**

Välistingimustes kasutamiseks sobiva pikendusjuhtme kasutamine vähendab elektrilöögi saamise riski.

- f) **Kui elektrilise tööriista kasutamine niiskes keskkonnas on vältimatut, kasutage maandusega lekkevoolukaitset.** Maandusega lekkevoolukaitsme kasutamine vähendab elektrilöögi ohtu.

### 3) INIMESTE TURVALISUS

- a) **Olge tähelepanelik, jälgige, mida Te teete, ning toimige elektrilise tööriistaga töötades mõistlikult. Ärge kasutage seadet, kui olete väsinud või uimastite, alkoholi või ravimite mõju all.** Hetkeline tähelepanematus seadme kasutamisel võib põhjustada tõsiseid vigastusi.
- b) **Kandke isikukaitsevahendeid ja alati kaitseprille.** Isikukaitsevahendite, nagu tolmu mask, libisemiskindlad turvajalatsid, kaitsekiiver või kuulmiskaitsevahendid, kandmine – sõltuvalt elektrilise tööriista tüübist ja kasutusala – vähendab vigastuste riski.
- c) **Vältige seadme tahtmatut käivitamist. Enne pistiku ühendamist pistikupesasse, aku ühendamist seadme külge, seadme ülestõstmist ja kandmist veenduge, et elektriline tööriist on välja lülitatud.** Kui hoiate elektrilise tööriista kandmisel sõrme lülitil või ühendate vooluvõrku sisselülitatud seadme, võivad tagajärjeks olla õnnetused.
- d) **Enne seadme sisselülitamist eemaldage selle küljest reguleerimis- ja mutrivõtmed.** Seadme pöörleva osa küljes olev reguleerimis- või mutrivõti võib põhjustada vigastusi.
- e) **Ärge hinnake end üle. Võtke stabiilne tööasend ja hoidke kogu aeg tasakaalu.** Nii saate seadet ootamatutes olukordades paremini kontrollida.
- f) **Kandke sobivat rõivastust. Ärge kandke laiu riideid ega ehteid. Hoidke juukseid, rõivad ja kindad seadme liikuvatest osadest eemal.** Lotendavad riided, ehted või pikad juukseid võivad sattuda seadme liikuvate osade vahele.
- g) **Kui on võimalik paigaldada tolmuemaldus- ja tolmu kogumisseadiseid/seadmeid, veenduge, et need oleksid seadmega ühendatud ja et neid kasutatakse õigesti.** Tolmuemaldusseadise kasutamine vähendab tolmuust põhjustatud ohte.

### 4) ELEKTRILISTE TÖÖRIISTADE HOOLIKAS KÄSITSEMINE JA KASUTAMINE

- a) **Ärge koormake seadet üle. Kasutage töö tegemiseks selleks ettenähtud elektrilist tööriista.** Sobiva elektrilise tööriistaga töötate paremini ja turvalisemalt ettenähtud võimsusvahemikus.
- b) **Ärge kasutage elektrilist tööriista, mille lülitil on rikkis.** Elektriline tööriist, mida ei ole enam võimalik sisse ja välja lülitada, on ohtlik ning seda tuleb remontida.
- c) **Tõmmake pistik pistikupesast välja ja/või eemaldage seadmest aku enne seadme reguleerimist, tarvikute vahetamist ja seadme ärapanekut.** See ettevaatusabinõu väldib seadme tahtmatut käivitamist.
- d) **Kasutusvälisel ajal hoidke elektrilisi tööriista lastele kättesaamatult. Ärge laske seadet kasutada isikutel, kes seda ei tunne või pole siintoodud juhiseid**

lügenud. Kogenematute kasutajate käes kujutavad elektrilised tööriistad ohtu.

- e) **Hoolitsege seadme eest. Kontrollige, kas seadme liikuvad osad funktsioneerivad korralikult ja ei kiildu kinni, ning ega mõned osad ei ole katki või sel määral kahjustatud, et võiksid mõjutada seadme töökindlust. Laske kahjustatud osad enne seadme kasutamist parandada.** Paljude õnnetuste põhjuseks on halvasti hooldatud elektrilised tööriistad.
- f) **Hoidke lõiketarvikud teravad ja puhtad.** Hoolikalt hoitud, teravate lõikeservadega lõiketarvikud kiilduvad harvemini kinni ja neid on lihtsam juhtida.
- g) **Kasutage elektrilist tööriista, lisavarustust, tarvikuid jne vastavalt siintoodud juhiste. Arvestage seejuures töötingimuste ja teostatava töö iseloomuga.** Elektriliste tööriistade kasutamine mitte ettenähtud otstarbel võib põhjustada ohtlikke olukordi.

### 5) TEENINDUS

- a) **Laske seadet parandada ainult kvalifitseeritud spetsialistidel ja ainult originaalvaruosadega.** Nii tagate seadme püsimise turvalisena.

### OHUTUSNÕUDED KETASSAAGIDE KASUTAMISEL

#### 1) SAAGIMINE

- a) **ÄR ETTEVAATUST : Ärge viige oma käsi saagimispiirkonda ja saeketta lähedusse. Hoidke teise käega lisakäepidemest või mootorikorpusest.** Kui hoiate saagi molema käega, ei saa saeketas Teie käsi vigastada.
- b) **Ärge viige kätt tooriku alla.** Tooriku all ei saa kettakaitse Teid saeketta eest kaitsta.
- c) **Kohandage lõikesügavus tooriku paksusega.** Tooriku all peaks olema saeketat näha vähem kui täishamba ulatuses.
- d) **Ärge hoidke saetavat toorikut kunagi käes ega polve peal. Kinnitage toorik stabiilsele alusele.** Tooriku kinnitamine on oluline, et viia kehaga kokkupuute, saeketta kinnikiildumise ja seadme üle kontrolli kaotuse oht miinimumini.
- e) **Kui esineb oht, et seade võib tabada varjatud elektrijuhtmeid või omaenda toitejuhet, tohib seadet hoida üksnes isoleeritud käepidemetest.** Kontakt pinge all oleva juhtmega pingestab ka seadme metallidetailid ja põhjustab elektrilöögi.
- f) **Pikisaagimisel kasutage alati paralleeljuhikut või juhtlauda.** See suurendab lõike täpsust ja vähendab saeketta kinnikiildumise ohtu.
- g) **Kasutage alati õige suuruse ja siseava läbimõduga saekettaid (nt tähekujulisi või ümaraid).** Saekettad, mis saega ei sobi, pöörlevad ebaühtlaselt ja põhjustavad kontrolli kaotuse seadme üle.
- h) **Ärge kunagi kasutage kahjustatud või mittesobivaid saeketta seibe või polte.** Saeketta seibid ja poldid on konstrueeritud spetsiaalselt Teie sae jaoks, tagamaks optimaalset jõudlust ja tööohutust.

#### 2) TAGASILÖÖK – PÕHJUSED JA ASJAOMASED OHUTUSNÕUDED

- Tagasilöök on sae ootamatu vastureaktsioon, mis tekib, kui saeketas on kinnikiildunud, kõverdunud või selle liikumine on takistatud ning mille tagajärjel tõuseb saag kontrollimatult tõõeldavast detailist välja ja “hüppab” sae kasutaja poole

- Kui sulguv lõikejälj saeketta kinni kiilub või selle liikumist takistab, aeglustub saeketta pöörlemine ja mootori vastumõju tulemusel liigub saag kiiresti kasutaja poole
- Kui saeketas lõikamisel väändub või kõverduv, võivad saeketta tagumised hambad takerduda puidu pealmisse kihti, mille tagajärjel tuleb saeketas lõikejäljest välja ja "hüppab" tagasi sae kasutaja poole
- Tagasilöök on tööriista väärkasutamise ja/või valede töövõtete või -tingimuste tagajärg ning seda saab vältida, võttes tarvitusele sobivad ettevaatusabinõud, mis on toodud allpool

- a) **Hoidke saagi tugevalt mõlema käega ja asetage käed selliselt, et suudaksite seista vastu tagasilöögiga kaasnevatele jõududele. Seiske nii, et Teie keha oleks saekettast paremal või vasakul, kuid mitte sellega ühel joonel.** Tagasilöögi mõjul võib saag "hüpata" tagasi, kuid kasutajal on võimalik tagasilöögiga kaasnevat jõude kontrollida, võttes tarvitusele sobivad ettevaatusabinõud.
- b) **Saeketta kinnikiildumisel või lõike katkestamisel mingil põhjusel vabastage lüliti ja hoidke saagi liikumatult materjali sees, kuni saeketas täielikult seiskub. Ärge kunagi püüdke eemaldada saagi töödeldavast materjalist või tõmmata saagi tagasi, kui saeketas pöörleb või võib toimuda tagasilöök.** Uurige olukorda ja võtke tarvitusele meetmed, et kõrvaldada saeketta kinnikiildumise põhjus. Vältige naelte või kruvide saagimist.
- c) **Kui käivitite tooriku sees olevat saagi, sättige saag lõikejälje keskele ja kontrollige, et saehambad ei haarduks materjali.** Kinnikiildunud saeketas võib liikuda üles või tekitada tagasilöögi, kui saag uuesti käivitatakse.
- d) **Toestage suured plaadid, et piirata saeketta kinnikiildumise ja tagasilöögi ohtu miinimumini.** Suured plaadid kipuvad omaenda kaalu all painduma. Toestused tuleb paigutada plaadi alla mõlemale küljele, lõikejoone lähedale ja plaadi serva äärde.
- e) **Ärge kasutage nürri või kahjustatud saeketast.** Teritamata või valesti paigaldatud saekettast tekib kitsas lõikejälj, mis põhjustab liigset hõõrdumist, saeketta kinnikiildumist ja tagasilööke.
- f) **Enne lõike tegemist peavad lõikesügavuse ja -nurga reguleerimise lukustushoovad olema kindlalt kinnitatud.** Kui saeketta seadistused saagimise ajal muutuvad, võib see põhjustada kinnikiildumise ja tagasilöögi.
- g) **Olge eriti ettevaatlik lõigete tegemisel seintesse ja teistesse varjatud kohtadesse.** Uputatav saeketas võib varjatud objektide saagimisel kinni kiiluda ja tagasilöögi põhjustada..

### 3) ALUMISE KETTAKAITSE FUNKTSIOON

- a) **Iga kord enne kasutamist kontrollige, et alumine kettakaitse sulguks korralikult. Ärge kasutage saagi, kui alumine kettakaitse ei liigu vabalt ega sulgu koheselt. Alumist kettakaitset ei tohi avatud asendis kinni kiiluda.** Kui saag kogemata maha kukub, võib alumine kettakaitse väänduda. Eemaldage seade vooluvõrgust, tõstke alumine kettakaitse tagasitõmmatavast käepidemest üles ning veenduge, et see liigub vabalt ja ei puuduta saeketast ega muid detaile mistahes lõikenurkade ja -sügavuste juures.
- b) **Kontrollige alumise kettakaitse vedru funktsioneerimist. Kui kettakaitse ja selle vedru ei**

**funktsioneerii korralikult, tuleb need enne kasutamist parandada.** Kahjustatud osade, kleepuvate sadestuste või mustuse kuhjumise tõttu võib alumine kettakaitse toimida aeglaselt.

- c) **Alumist kettakaitset tuleks käitsi tagasi tõmmata ainult erilõigete nagu "uputuslõiked" ja liitlõiked tegemiseks. Tõstke alumine kettakaitse tagasitõmmatavast käepidemest üles ja vabastage alumine kettakaitse niipea, kui saeketas tungib materjali sisse.** Kõikide muude saagimistööde ajal peaks alumine kettakaitse toimima automaatselt.
- d) **Enne sae asetamist tööpingile või pörandale jälgige alati, et saeketas on alumise kettakaitsemega kaetud.** Kaitsmata, vabajooksul saeketas põhjustab sae liikumise tagasi, lõigates kõike, mis selle teele jääb. Pöörake tähelepanu ajavahemikule, mis kuulub lüliti vabastamisest saeketta seiskumiseni.

### TÄIENDAVAD OHUTUSNÕUDED

#### ÜLDIST

- Tööriista kasutaja peab olema vähemalt 16 aastat vana
- Tööriist ei sobi märgilõigete tegemiseks
- **Enne seadme reguleerimist või tarviku vahetust eemaldage seade vooluvõrgust (tõmmake pistik pistikupesast välja)**
- Ärge kunagi kasutage kahjustatud toitejuhtmega tööriista; laske toitejuhe remonditöökojas välja vahetada
- **Asbestisaldava materjali töötlemine on keelatud** (asbest võib tekitada vähki)
- Värviga kaetud juhtmed, mõned puiduliigid, mineraalid ja metall eraldavad tolmu, mis võib olla kahjulik (kokkupuude tolmuga või selle sissehingamine võib seadme kasutajal või läheduses viibivatel inimestel põhjustada allergilisi reaktsioone ja/või hingamisteede haigusi); **kandke tolmumaski ja vajaduse korral töötaote külgeühendatava tolmueemaldusseadmega**
- Teatud tüüpi tolm on klassifitseeritud kantserogeensena (nt tammest ja kasest eralduv tolm), eriti koos puudu niiskuse reguleerimiseks kasutatavate lisanditega; **kandke tolmumaski ja vajaduse korral töötaote külgeühendatava tolmueemaldusseadmega**
- Erinevate materjalide töötlemisel tekkiva tolmu käitlemisel tuleb järgida kehtivaid nõudeid
- Kasutage üksnes sellist saepinki, millel on lüliti takistamaks mootori taaskäivitumist pärast voolukatkestust
- Kasutage üksnes sellist saepinki, mis on varustatud juhtkiiluga

#### TARVIKUD

- SKIL tagab seadme häireteta töö üksnes originaaltarvikute kasutamisel
  - Kasutage vaid neid tarvikuid, mille lubatud pöörete arv on vähemalt sama suur nagu maksimaalsed tühikäigupöörded
  - **Kasutage ainult vähemalt 170 mm ja maksimaalselt 184 mm läbimõõduga saetera spindliavaga 16 mm**
  - Kiirlõiketerasest (HSS) saeketaste kasutamine on keelatud
  - Ärge kunagi kasutage selles tööriistas lihvimis-/lõikekettaid
- #### ENNE KASUTAMIST
- Kontrollige alati, kas võrgupinge ühtib tööriista andesildil toodud pingega (andesildil toodud 230V või 240V korral võib tööriista kasutada ka 220V võrgupinge puhul)

- Välitge töödeldavas esemes olevatest kruvidest, naeltest vms põhjustatud kahjustusi; eemaldage need enne töö alustamist
- Enne saagimise alustamist eemaldage kõik nii töödeldava materjali peal- kui allpool lõikejoonel asuvad takistused
- **Fikseerige toorik** (fiksaatoriga kinnitatud või kruustangide vahele pandud toorik püsib kindlamini paigal kui lihtsate käega hoides)
- **Varjatult paiknevate elektrijuhtmete, gaasi- või veetorude avastamiseks kasutage sobivaid otsimiseadmeid või pöörduge kohaliku elektrigaasi- või vee-ettevõtte poole** (kokkupuutel elektrijuhtmetega tulekahju- ja elektrilöögioht; gaasitorustiku vigastamisel plahvatusoht; veetorustiku vigastamisel materiaalne kahju või elektrilöögioht)
- Pikendusjuhtmete kasutamisel jälgige, et juhe oleks lõpuni lahti keritud ja vastaks 16 A voolutugevusele

### KASUTAMISE AJAL

- Töötamise ajal võib müratase ületada 85 dB(A); kandke kuulmiskaitsevahendeid
- Ärge kunagi kasutage tööriista ilma originaalkaitseesadisteta
- Ärge püüdke saagida väga väikeseid toorikuid
- Ärge töötaga tööriistaga, hoides seda pea kohal
- Tööriista blokeerumisel või elektrilise või mehhaanilise tõrke korral lülitage see viivitamatult välja ning eemaldage pistik vooluvõrgust
- Kui toitejuhe saab töötamisel ajal kahjustada või see lõigatakse läbi, ärge toitejuhet puutuge, vaid eemaldage koheselt pistik vooluvõrgust

### PÄRAST KASUTAMIST

- Enne tööriista juurest lahkumist lülitage see välja ning oodake, kuni selle liikuvad osad on täielikult seiskunud
- Pärast ketassae väljalülitamist ärge kunagi peatage saeketta pöörlemist külgsurvega

## KASUTAMINE

- Saeketta paigaldamine <sup>③</sup>
  - ! **eemaldage seade vooluvõrgust**
  - võtke hoidikust B välja kuuskantvõti A
  - vajutage spindlilukustusnupule C ja hoidke seda all, samal ajal eemaldage kuuskantvõtme abil ketta polt D
  - ! **spindlilukustusnupule C tohib vajutada ainult siis, kui seade ei tööta**
  - vabastage spindlilukustusnupp C
  - eemaldage flanš E
  - avage alumine kettakaitse F hoova G abil ja hoidke seda avatuna; samal ajal paigaldage saeketas, jälgides, et saeketta hammaste ja kettal oleva noole suund ühtiksid ülemisel kettakaitsele oleva noole suunaga
  - vabastage alumine kettakaitse F
  - paigaldage flanš E
  - ! **jälgige, et flanšide klemmipinnad H oleksid täiesti puhtad ja suunatud vastu saeketast**
  - vajutage spindlilukustusnupule C ja hoidke seda all, samal ajal pingutage ketta polti kuuskantvõtmega 1/8 pöörde ulatuses (tagab saeketta libisemise kokkupuutel suure takistusega, vähendades mootori ülekoormust ja sae tagasilööki)
  - vabastage spindlilukustusnupp C

- Lõikesügavuse reguleerimine (0-65 mm) <sup>④</sup>
  - optimaalse lõikekvaliteedi tagamiseks ei tohiks saeketas ulatuda tooriku alt välja rohkem kui 3 mm
  - lõdvendage nupp J
  - tõstke/langetage alusplaati K, kuni skaalale (osuti L) ilmub soovitud lõikesügavus
  - pingutage nupp J
- Lõikenurga reguleerimine (0-45°) <sup>⑤</sup>
  - lõdvendage nupp M
  - kallutage tööriista, kuni skaalale (osuti N) ilmub soovitud lõikenurk
  - pingutage nupp M
  - ! **diagonaallõike puhul ei vasta lõikesügavuse skaalal näidatud väärtus tegelikule lõikesügavusele**
- 90° lõikenurga kontrollimine <sup>⑤</sup>
  - reguleerige alusplaat K maksimaalsele lõikesügavusele ja pingutage <sup>④</sup>
  - reguleerige lõikenurk väärtusele 0° ja pingutage
  - kontrollige nurgamõõdikuga, kas saeketta ja alusplaadi põhja vaheline nurk on 90°
  - reguleerimisvajaduse korral, lõdvendage nupp M ja kasutage reguleerimiskruvi P, nagu näidatud joonisel
- Reguleeritav lõikejoone-aken Q <sup>⑥a</sup>
  - tööriista täpseks juhtimiseks mõõda töödeldavale esemele märgitud lõikejoont
  - 0° all tehtava otselõike või 45° all tehtava diagonaallõike puhul kasutage vastavaid näitajooni
  - ! **suurem osa alusplaadist peaks asuma töödeldava eseme toetatud osal**
  - reguleerides on võimalik valida, kas saepuru koguneb saeketta sisse- või välisküljele <sup>⑥b</sup>
  - ! **lõikelaiuse määrab saehammaste laius, aga mitte saeketta pakas**
  - ! **tehke alati kõigepealt proovilõige, et kontrollida tegelikku lõikejoont**
- Tolmu eemaldamine
  - ühendage tolmuimeemisvoolik adapteriga R <sup>⑦</sup>
  - ! **jälgige, et tolmuimeja voolik ei tõkestaks kunagi alumise kettakaitse funktsioneerimist ega takistaks saagimistööd**
  - võib kasutada ka tolmu koti (SKIL lisatarvik 2610387402)
  - ! **ärge kasutage tolmu kotti/tolmuimejat metalli saagimisel**
- Seadme kasutamine <sup>⑦</sup>
  - ühendage pistik vooluvõrku
  - hoidke alati tugevalt ühe käega käepidemest S ja teise käega tugevalt käepidemest T
  - asetage tööriist alusplaadi esiservaga tasaselt toorikule
  - ! **veenduge, et saeketta hambad ei ole toorikusse haakunud**
  - lülitage tööriist sisse, vajutades kõigepealt nupule V (= turvalüliti, mida pole võimalik lukustada) ja siis vajutage sisse lüliti W
  - ! **enne saeketta viimist töödeldavas materjali peab saag saavutama täiskiiruse**
  - alumine kettakaitse F avaneb automaatselt, kui saeketas viiakse töödeldavasse materjali (avage alumine kettakaitse käsitsi ainult eriliiste lõigete nagu "uputuslõigete" korral; selleks kasutage hooba G
  - ! **ärge koormake tööriista üle** (jälgige, et surve oleks kerge ja pidev, et vältida lõiketera otste

ülekuumenemist ja plasti lõikamise korral plastmaterjali sulamist)

- ! **töötamise ajal hoidke tööriista kinni korpuse ja käepideme halli värvi osadest**
- pärast lõike lõpetamist lülitage tööriist välja, vabastades lüliti W
- ! **enne tööriista eemaldamist toorikust veenduge, et saeketas on täielikult seiskunud**

## TÖÖJUHISED

- Juhikraami kasutamisel (SKIL tarvik 2610Z04064) koos adapteriga väheneb lõikesügavus 90- ja 45-kraadise saagimise korral 14 mm
- Asetage töödeldav ese alati ilusama poolega allapoole, et viia materjalikahjustused minimumini
- Kasutage üksnes õiget tüüpi teravaid saekettaid <sup>⑨</sup>
  - lõikekvaliteet paraneb saeketta hammaste arvu suurenedes
  - kõvasulam-saeketaste kasutusiga on võrreldes tavaliste saeketastega kuni 30 korda pikem
- Paralleeljuhik Y <sup>⑨</sup>
  - täpsete lõigete tegemiseks piki tooriku äärt
  - võimalik kinnitada alusplaadi mõlema külje külge Paralleeljuhiku reguleerimine
  - lõdvendage nupp Z
  - reguleerige paralleeljuhik skaala abil soovitud lõikelaiusele (kasutage 0-punkti tähistamiseks aken Q)
  - pingutage nupp Z
- Uputuslõiked <sup>⑩</sup>
  - määrake kindlaks soovitud lõikesügavus
  - kallutage tööriista ette, hoides et aken Q toorikule märgitud lõikejoonega kohakuti
  - avage alumine kettakaitse F hoova G abil
  - veidi enne saeketta sisenemist materjali lülitage tööriist sisse ning langetage aeglaselt tööriista tagumist osa, kasutades toetuspunktina alusplaadi esiserva
  - langetage tööriista vähehaaval ja lükake samal ajal ettepoole
  - niipea kui saeketas siseneb toorikusse, vabastage hoob G
- ! **ärge kunagi tõmmake tööriista tagasisuunas**
- Suurte plaatide lõikamine <sup>⑪</sup>
  - toetage plaat lõikejoone lähedalt pörandale, lauale või tööpingile
- ! **reguleerige lõikesügavus selliselt, et te saete läbi plaadi, kuid ei kahjusta tugesid**
- kui paralleeljuhikuga pole võimalik soovitud laiuses saagida, kinnitage toorikule (pitskruvide või naelte abil) sae juhtimist hõlbustav sirge puulist ning juhtige saagi parema alusplaadi äärega mööda seda

## HOOLDUS/TEENINDUS

- Tööriist pole mõeldud professionaalseks kasutamiseks
- Hoidke seade ja toitejuhe alati puhtad (eriti õhutusavad)
- ! **enne puhastamist eemaldage seade vooluvõrgust**
- Hoidke alati alumise kettakaitse F <sup>③</sup> ümbrus puhtana (eemaldage tolm ja puru suruõhuga puhudes või harjaga)
- Puhastage saeketas kohe pärast kasutamist (eelkõige vaigu- ja liimijääkidest)

- Tööriist on hoolikalt valmistatud ja testitud; kui tööriist sellest hoolimata rikki läheb, tuleb see lasta parandada SKILI elektriliste käsitööriistade volitatud remonditöökojas
- toimetage **lahtimonteerimata** seade koos ostukviitungiga tarnijale või lähimasse SKILI lepingulisest töökotta (aadressid ja tööriista varuosade joonise leiate aadressil [www.skil.com](http://www.skil.com))

## KESKKOND

- **Ärge visake kasutuskõlbmatuks muutunud elektrilisi tööriistu, lisatarvikuid ja pakendeid ära koos olimejäätmetega** (üksnes EL liikmesriikidele)
- vastavalt Euroopa Parlamendi ja nõukogu direktiivile 2012/19/EÜ elektri- ja elektroonikaseadmete jäätmete kohta ning direktiivi nõuete kohaldamisele liikmesriikides tuleb kasutuskõlbmatuks muutunud elektrilised tööriistad koguda eraldi ja keskkonnasäästlikult korduvkasutada või ringlusse võtta
- seda meenutab Teile sümbol <sup>⑫</sup>

## VASTAVUSDEKLARATSIOON CE

**Ketassaag 5665/5765**

**Tehnilised andmed** <sup>①</sup>

- Kinnitame ainuvastutajana, et punktis "Tehnilised andmed" kirjeldatud toode vastab järgmistele standarditele või normdokumentidele: EN 60745, EN 61000, EN 55014 vastavalt direktiivide 2014/30/EL, 2006/42/EÜ, 2011/65/EL
- **Tehniline toimik saadaval aadressil:** SKIL Europe BV (PT-SEU/ENG1), 4825 BD Breda, NL

Marijn van der Hoofden  
Operations & Engineering

Olaf Dijkgraaf  
Approval Manager

SKIL Europe BV, 4825 BD Breda, NL

16.10.2014

## MÜRA/VIBRATSIOON

- Vastavalt kooskõlas normiga EN 60745 läbi viidud mõõtmistele on tööriista helirõhk 97 dB(A) ja helitugevus 108 dB(A) (standardkõrvalekalle: 3 dB), ja vibratsioon \* m/s<sup>2</sup> (kolme telje vektorsumma; mõõtemääramatus K = 1,5 m/s<sup>2</sup>)
  - \* puidu saagimisel 2,6 m/s<sup>2</sup>
  - \* metalli saagimisel 2,2 m/s<sup>2</sup>
- Tekkiva vibratsiooni tase on mõõdetud vastavalt standardis EN 60745 kirjeldatud standarditud testile; seda võib kasutada tööriistade võrdlemiseks ja tööriista kasutamisel ettenähtud töödeks esineva vibratsiooni esialgseks hindamiseks
- tööriista kasutamisel muudeks rakendusteks või teiste/halvasti hooldatud tarvikute kasutamisel võib vibratsioon märkimisväärselt **suurened**
- ajal, kui tööriist on väljalülitatud või on küll sisselülitatud, kuid tegelikult seda ei kasutata, võib vibratsioon märkimisväärselt **vähened**



- ! enda kaitsmīseks vibrātsiooni eest hooldage tööriista ja selle tarvikuid korralikult, hoidke oma kээd soojad ja tagage sujuv tөөkorraldus

LV

Ripzāģis

5665/5765

## IEVADS

- Šis instruments ir paredzēts kokmateriālu garenzāģēšanai un šķērszāģēšanai, veidojot tajos taisnos zāģējumus, kā arī slīpos zāģējumus ar zāģēšanas leņķi no 0° līdz 45°; iestiprinot ripzāģi piemērotus zāģa asmeņus, šo instrumentu var izmantot arī krāsaino metālu, vieglu būvmateriālu un plastmasas zāģēšanai
- Šis instruments nav paredzēts profesionālai lietošanai
- Izlasiet un saglabājiet šo pamācību ②

## TEHNISKE PARAMETRI ①

### DROŠĪBA

#### VISPĀRĒJIE DARBA DROŠĪBAS NOTEIKUMI

**⚠ UZMANĪBU!** Rūpīgi izlasiet visus drošības noteikumus. Šeit sniegto drošības noteikumu un norādījumu neievērošana var izraisīt aizdegšanos un būt par cēloni elektriskajam triecienam vai nopietnam savainojumam. **Pēc izlasīšanas uzglabājiet šos noteikumus turpmākai izmantošanai.** Turpmākajā izklāstā lietotais apzīmējums "elektroinstrument" attiecas gan uz tīkla elektroinstrumentiem (ar elektrokabeļi), gan arī uz akumulatora elektroinstrumentiem (bez elektrokabeļa).

#### 1) DROŠĪBA DARBA VIETĀ

- Sekojet, lai darba vieta būtu tīra un sakārtota.** Nekārtīgā darba vietā vai sliktā apgaismojumā var viegli notikt nelaimes gadījums.
- Nelietojiet elektroinstrumentu eksplozīvu vai ugunsnedrošu vielu tuvumā un vietās ar paaugstinātu gāzes vai putekļu saturu gaisā.** Darba laikā instruments nedaudz dzirkstelo, un tas var izsaukt viegli degošu putekļu vai tvaiku aizdegšanos.
- Lietojot elektroinstrumentu, neļaujiet nepiederošām personām un jo īpaši bērniem tuvoties darba vietai.** Citu personu klātbūtnē var novērst uzmanību, un tā rezultātā jūs varat zaudēt kontroli pār instrumentu.

#### 2) ELEKTRODROŠĪBA

- Elektroinstrumenta kontaktdakšai jābūt piemērotai elektrotīkla kontaktligzdai. Kontaktdakšas konstrukciju nedrīkst nekādā veidā mainīt. Nelietojiet kontaktdakšas salāgotājus, ja elektroinstruments caur kabeļi tiek savienots ar aizsargzēmējuma ķēdi.** Neizmaiņā konstrukcijas kontaktdakša, kas piemērota kontaktligzdai, ļauj samazināt elektriskā trieciena saņemšanas risku.
- Darba laikā nepieskarieties saņemtiem priekšmetiem, piemēram, caurulēm, radiatoriem, plītiņiem vai ledusskapjiem.** Pieskaroties saņemtiem virsmām, pieaug risks saņemt elektrisko triecienu.

- Nelietojiet elektroinstrumentu lietus laikā, neturiet to mitrumā.** Mitrumam iekļūstot instrumentā, pieaug risks saņemt elektrisko triecienu.
- Nenesiet un nepiekariet elektroinstrumentu aiz elektrokabeļa. Neraujiet aiz kabeļa, ja vēlaties atvienot instrumentu no elektrotīkla kontaktligzdas. Sargājiet elektrokabeļi no karstuma, eļļas, asām šķautnēm un instrumenta kustīgajām daļām.** Bojāts vai samezģojies elektrokabeļis var būt par cēloni elektriskajam triecienam.
- Darbinot elektroinstrumentu ārpus telpām, izmantojiet tā pievienošanai vienīgi tādus pagarinātājkaabeļus, kuru lietošana ārpus telpām ir atļauta.** Lietojot elektrokabeļi, kas piemērots darbam ārpus telpām, samazinās risks saņemt elektrisko triecienu.
- Ja elektroinstrumentu tomēr nepieciešams lietot vietās ar paaugstinātu mitrumu, izmantojiet tā pievienošanai noplūdes strāvas aizsargreleju.** Lietojot noplūdes strāvas aizsargreleju, samazinās risks saņemt elektrisko triecienu.

#### 3) PERSONISKĀ DROŠĪBA

- Darba laikā saglabājiet paškontroli un rīkojieties saskaņā ar veselo saprātu. Pārtrauciet darbu, ja jūtaties noguris vai atrodaties alkohola, narkotiku vai medikamentu izraisītā reibumā.** Strādājot ar elektroinstrumentu, pat viens neuzmanības mirklis var būt par cēloni nopietnam savainojumam.
- Izmantojiet individuālos darba aizsardzības līdzekļus un darba laikā vienmēr nēsājiet aizsargbrilles.** Individuālo darba aizsardzības līdzekļu (putekļu maskas, neslidošu apavu un aizsargķiveres vai ausu aizsargu) pielietošana atbilstoši elektroinstrumenta tipam un veicamā darba raksturam ļauj izvairīties no savainojumiem.
- Nepieļaujiet elektroinstrumenta patvaļīgu ieslēgšanos. Pirms elektroinstrumenta pievienošanas elektrotīklam, akumulatora ievietošanas vai izņemšanas, kā arī pirms elektroinstrumenta pārnesšanas pārliecinieties, ka tas ir izslēgts.** Pārnesot elektroinstrumentu, ja pirksts atrodas uz ieslēdzēja, kā arī pievienojot to elektrobarošanas avotam laikā, kad elektroinstruments ir ieslēgts, var viegli notikt nelaimes gadījums.
- Pirms instrumenta ieslēgšanas neaizmirstiet izņemt no tā regulējošos instrumentus vai skrūvjatslēgas.** Patronatslēga vai skrūvjatslēga, kas instrumenta ieslēgšanas brīdī nav izņemta no tā, var radīt savainojumu.
- Strādājot ar elektroinstrumentu, ieturiet stingru stāju. Darba laikā vienmēr saglabājiet līdzsvaru un centieties nepaslidēt.** Tas atvieglos instrumenta vadību neparedzētās situācijās.
- Izvēlieties darbam piemērotu apģērbu. Darba laikā nenēsājiet brīvi plandošas drēbes un rotaslietas. Netuviniet matus, apģērbu un aizsargcimdus instrumenta kustīgajām daļām.** Vaļiņas drēbes, rotaslietas un gari mati var iekerties instrumenta kustīgajās daļās.
- Ja elektroinstrumenta konstrukcija ļauj tam pievienot ārējo putekļu uzsūkšanas vai savākšanas/uzkrāšanas ierīci, sekojiet, lai tā tiktu pievienota elektroinstrumentam un pareizi darbotos.** Pielietojot

putekļu uzsūkšanu vai savākšanu/uzkrāšanu, samazinās to kaitīgā ietekme uz strādājošās personas veselību.

#### 4) ELEKTROINSTRUMENTU LIETOŠANA UN APKOPE

- a) **Nepārslogojiet elektroinstrumentu. Katram darbam izvēlieties piemērotu instrumentu.** Elektroinstrumentus darbosies labāk un drošāk pie nominālās slodzes.
  - b) **Nelietojiet elektroinstrumentu, ja ir bojāts tā ieslēdzējs.** Elektroinstrumentus, ko nevar ieslēgt un izslēgt, ir bīstams lietošanai un to nepieciešams remontēt.
  - c) **Pirms elektroinstrumenta apkopes, regulēšanas vai darbinstrumenta nomainīšanas atvienojiet tā kontakt dakšu no barojošā elektrotīkla vai izņemiet no tā akumulatoru.** Šādi iespējams samazināt elektroinstrumenta nejausās ieslēgšanās risku.
  - d) **Elektroinstrumentu, kas netiek darbināts, uzglabājiet piemērotā vietā, kur tas nav sasniedzams bērniem un personām, kuras neprot rīkoties ar instrumentu.** Ja elektroinstrumentu lieto nekompetentas personas, tas var apdraudēt cilvēku veselību.
  - e) **Rūpīgi veiciet elektroinstrumenta apkalpošanu. Pārbaudiet, vai kustīgās daļas darbojas bez traucējumiem un nav iespīlētas, vai kāda no daļām nav salauzta vai bojāta, vai katra no tām pareizi funkcionē un pilda tai paredzēto uzdevumu. Nodrošiniet, lai bojātās daļas tiktu savlaicīgi nomainītas vai remontētas pilnvarotā remontu darbnīcā.** Daudzi nelaimes gadījumi notiek tāpēc, ka elektroinstrumentus pirms lietošanas nav pienācīgi apkalpot.
  - f) **Savlaicīgi notīriet un uzasiniet griezošos darbinstrumentus.** Rūpīgi kopti instrumenti, kas apgādāti ar asiem griezējinstrumentiem, ļauj strādāt daudz ražīgāk un ir vieglāk vadāmi.
  - g) **Lietojiet vienīgi tādus elektroinstrumentus, papildpiederumus, darbinstrumentus utt., kas paredzēti attiecīgajam pielietojuma veidam. Bez tam jāņem vērā arī konkrētie darba apstākļi un pielietojuma īpatnības.** Elektroinstrumentu lietošana citiem mērķiem, nekā to ir paredzējis ražotājs, ir bīstama un var novest pie neparedzamām sekām.
- #### 5) APKALPOŠANA
- a) **Nodrošiniet, lai Instrumenta remontu veikt kvalificēts personāls, nomaīnai izmantojot oriģinālās rezerves daļas un piederumus.** Tikai tā iespējams panākt instrumenta ilgstošu un nevainojamu darbību bez atteikumiem.

### DROŠĪBAS NOTEIKUMI RIPZĀGIEM

#### 1) ZĀĢĒŠANA

- a) **ĻĀ BĪSTAMI : Netuviniet rokas zāģēšanas vietai vai zāģa asmenim. Ar otru roku turiet instrumentu aiz papildroktura vai dzinēja korpusa.** Turot zāģi ar abām rokām, rotējošais asmens tās nevar savainot.
- b) **Nepieskarieties ar rokām apstrādājamā priekšmeta apakšējai daļai.** Ripzāģa aizsargs nevar nodrošināt aizsardzību no zāģa asmens apstrādājamā priekšmeta apakšpusē.
- c) **Iestādiet zāģēšanas dziļumu atbilstoši apstrādājamā priekšmeta biežumam.** Darba gaitā apstrādājamā priekšmeta apakšpusē redzamās zāģa asmens zobu daļas augstumam jābūt mazākam par pilnu asmens zobu augstumu.

- d) **Neturiet zāģējamo priekšmetu ar roku un nebalstiet to ar kāju. Iestipriniet zāģējamo priekšmetu stabilā turētājierīcē.** Ir ļoti svarīgi, lai zāģējamais priekšmets tiktu labi nostiprināts, jo tāda gadījumā tiek minimizēta ķermeņa daļu saskarsšanās iespēja ar rotējošo zāģa asmeni, kā arī zāģa asmens iestrēgšanas un kontroles zaudēšanas iespēja.
- e) **Ja darbinstrumentus var skart slēptu elektropārvades līniju vai instrumenta elektrokabeli, darba laikā turiet elektroinstrumentu aiz izolētajiem rokturiem, nepieskaroties metāla daļām.** Darbinstrumentam skarot spriegumnesošu elektrotīkla vadu, spriegums nonāk arī uz elektroinstrumenta metāla daļām un var būt par cēloni elektriskajam triecienam.
- f) **Veicot garenzāģēšanu, lietojiet paralēlo vadotni vai izmantojiet kā vadotni priekšmeta taisno malu.** Tas palielina zāģēšanas precizitāti un samazina zāģa asmens iestrēgšanas iespējamiību.
- g) **Lietojiet pareiza izmēra zāģa asmeni ar piemērotas formas centrālo atvērumu (piemēram, zvaigznes veida vai apaļu).** Zāģa asmeņi, kas neatbilst stiprinošo elementu formai, necentrējas uz darbavārpstas un var novest pie kontroles zaudēšanas pār zāģēšanas procesu.
- h) **Neizmantojiet nolietotas vai bojātas zāģa asmens starplikas vai noturuzgriežņus.** Šīs detaļas ir īpaši paredzētas ripzāģa asmeņiem, lai nodrošinātu optimālu darba kvalitāti un drošību.

#### 2) ATSIETIENS - CĒLOŅI UN NOTEIKUMI NOVĒRŠANAI

- Par atsietienu sauc negaidītu ripzāģa reakciju, tā asmenim iestrēgstot apstrādājamajā materiālā vai novirzoties no zāģējuma līnijas, kā rezultātā instruments strauji pārvietojas augšup no apstrādājamā priekšmeta darba veicēja virzienā
  - Ja, zāģējumam aizveroties, zāģa asmens tiek stingri iespiests, tas pēkšņi apstājas, kā rezultātā elektrodzinēja radītais reaktīvais spēks liek instrumentam strauji pārvietoties darba veicēja virzienā
  - Ja zāģēšanas laikā zāģa asmens noliecas sānu virzienā vai novirzās no zāģējuma līnijas, tā aizmugurējis malas zobi var iestrēgt zāģējamā kokmateriāla virskārtā, liekot asmenim izrauties no zāģējuma vietas un pārvietoties darba veicēja virzienā
  - Atsietens parasti rodas instrumenta nepareizas lietošanas rezultātā un no tā var izvairīties, ievērojot šādus noteikumus
- a) **Stingri turiet instrumentu ar abām rokām, satverot to tādā veidā, lai izturētu atsietiena reaktīvā spēka iedarbību. Pie tam nestāviet uz vienas līnijas ar zāģa asmeni, bet gan vienā vai otrā pusē no tā.** Atsietens var izraisīt pēkšņu zāģa pārvietošanos darba veicēja virzienā, taču, veicot vajadzīgos piesardzības pasākumus, atsietiena reaktīvā spēka iedarbību iespējams kontrolēt.
  - b) **Ja zāģa asmens iestrēgst vai arī zāģēšana tiek pārtraukta kādu citu iesmesu dēļ, atļaidiet ripzāģa ieslēdzēju un turpiniet turēt instrumentu nekustīgi, līdz zāģa asmens pilnīgi apstājas. Nekādā gadījumā neizmēģiniet instrumenta asmeni no zāģējuma un nevelciet ripzāģi atpakaļ, kamēr zāģa asmens vēl atrodas kustībā, jo tas var izsaukt atsietienu.** Noskaidrojiet zāģa asmens iestrēgšanas iemeslus un veiciet pasākumus to novēršanai. Izvairieties no tādu priekšmetu zāģēšanas, kuros atrodas naglas vai skrūves.

- c) **Atkārtoti ieslēdzot ripzāgi laikā, kad tā asmens atrodas apstrādājamajā priekšmetā, centieties turēt asmeni zāģējuma šķēluma vidū un pārbaudiet, vai tā zobi nav iespiedušies zāģējamajā materiālā.** Ja zāģa asmens ir iestrēdzis, tad, ieslēdzot instrumentu, tā asmens var strauji pārvietoties augšup no apstrādājamā priekšmeta, izraisot atsitenu.
- d) **Lai izvairītos no zāģa asmens iestrēgšanas un atsitiena, zāģējot liela izmēra paneļus, tie ir jāatbalsta.** Liela izmēra paneļi zem sava svara mēdz ieliekties, tāpēc balsti jānovieto paneļa abos sānos tuvu zāģējuma līnijai un pie paneļa malas.
- e) **Neizmantojiet neasus vai bojātus asmeņus.** Neuzasināti vai nepareizi iestiprināti asmeņi veido šauru zāģējuma šķēlumu, kas var izsaukt pastiprinātu berzi, asmens iestrēgšanu un zāģa atsitenu.
- f) **Pirms darba uzsākšanas stingri pievelciet zāģēšanas dziļuma un zāģēšanas leņķa iestādījumu fiksējošās sviras.** Ja zāģēšanas laikā izmainās zāģa asmens stāvokļa iestādījumi, tas var izsaukt asmens iestrēgšanu un zāģa atsitenu.
- g) **Ievērojiet īpašu piesardzību, veicot iezāģēšanu ar asmens iegremdēšanu sienās vai citos skatienam slēptos objektos.** Iegremdētais zāģa asmens zāģēšanas laikā var iestrēgt slēptajā objektā, kā rezultātā var notikt atsitens.
- 3) APAKŠĒJĀ AIZSARGPĀRSEGA FUNKCIONĒŠANA**
- a) **Ik reizi pirms darba uzsākšanas pārbaudiet, vai zāģa asmens apakšējais aizsargs pilnībā aizveras. Nestrādājiet ar ripzāgi, ja tā asmens apakšējais aizsargs nespēj brīvi pārvietoties un neaizveras uzreiz. Nemēģiniet nofiksēt ripzāģa apakšējo asmens aizsargu atvērta stāvoklī.** Ja ripzāģis nejauši nokrīt, asmens apakšējais aizsargs var saliekties. Šādā gadījumā atvienojiet instrumentu no elektrotīkla, ar speciāla ievelkošā roktura palīdzību paceliet asmens apakšējo aizsargu un pārbaudiet, vai tas spēj brīvi pārvietoties un neskar asmeni vai kādu citu instrumenta daļu. Pārbaude jāveic pie visiem zāģēšanas dziļuma un leņķa iestādījumiem.
- b) **Pārbaudiet asmens apakšējā aizsarga atsperes darbību. Ja aizsargs vai tā atspere nedarbojas pareizi, pirms darba uzsākšanas jāveic to apkope.** Zāģa asmens apakšējā aizsarga brīva pārvietošanās var tikt traucēta kāda bojājuma, gumijas nosēdumu vai sakrājušos netīrumu dēļ.
- c) **Zāģa asmens apakšējo aizsargu ir pieļaujams atvērt ar roku tikai tad, kad tiek veikti tādi speciālie zāģējumi, kā zāģēšana ar asmens iegremdēšanu vai salikto zāģējumu veidošana. Šādos gadījumos ar ievelkošā roktura palīdzību atveriet asmens apakšējo aizsargu un, ripzāģa asmenim ieejot apstrādājamajā materiālā, tūlīt to nolaidiet.** Veicot visus pārējos zāģējumus, asmens apakšējam aizsargam jādarbojas automātiski.
- d) **Pirms ripzāģa novietošanas uz darbgalda vai grīdas raugieties, lai asmens apakšējais aizsargs nosegtu asmeni.** Nosenegts asmens, kas pēc inerces vēl rotē, var likt ripzāģim pārvietoties atpakaļvirzienā, sagriežot visu, kas gadās tam ceļā. Atcerieties, ka pēc instrumenta izslēgšanas zāģa asmens vēl kādu laiku turpina rotēt.

## PAPILDU DROŠĪBAS NOTEIKUMI

### VISPĀRĒJIE DROŠĪBAS NOTEIKUMI

- Šo instrumentu nedrīkst izmantot personas, kas jaunākas par 16 gadiem
- Šis ripzāģis nav paredzēts mitru priekšmetu zāģēšanai
- **Pirms instrumenta regulēšanas vai piederumu nomaiņas atvienojiet to no barojošā elektrotīkla**
- Neizmantojiet instrumentu, ja tam ir bojāts elektrokabelis; tā nomaiņu drīkst veikt tikai pieredzējis speciālists
- **Neapstrādājiet materiālus, kas satur azbestu** (azbestam piemīt kancerogēnas īpašības)
- Materiāla (piemēram, svīnu saturošas krāsas, dažu koka šķirņu, minerālu un metāla) putekļi var būt kaitīgi (saskare ar putekļiem vai to ieelpošana var izraisīt alerģiskas reakcijas un/vai elpošanas ceļu saslimšanas operatoram vai klātesošajiem); **izmantojiet putekļu masku un putekļsūcēju, ja to iespējams pievienot**
- Dažu veidu putekļi ir klasificēti kā kancerogēni (piemēram, ozola vai dižskābarža putekļi), jo īpaši apvienojumā ar koksnes kondicionēšanas piedevām; **izmantojiet putekļu masku un putekļsūcēju, ja to iespējams pievienot**
- Ievērojiet ar putekļu savākšanu saistītos nacionālos noteikumus, kas attiecas uz apstrādājamajiem materiāliem
- Lietojiet ripzāģim piemērotu zāģēšanas galdu, kas apgādāts ar drošības slēdzi; tas novērš instrumenta patvaļīgu ieslēgšanos, atjaunojoties barojošā sprieguma padevei
- Lietojiet tikai tādu zāģēšanas galdu, kas apgādāts ar šķēlējnazi

### PAPILDPIEDERUMI

- Firma SKIL garantē instrumenta nevainojamu darbību tikai tad, ja tiek lietoti oriģinālie papildpiederumi
- Lietojiet tikai tādus darbinstrumentus, kuru pieļaujamais darbības ātrums ir vismaz tikpat liels, kā instrumenta maksimālais brīvgaits ātrums
- **Izmantojiet tikai zāģa asmeņus ar minimālo diametru 170 mm, maksimālo diametru 184 mm un darbvārpstas atveri 16 mm**
- Neiestipriniet zāģi asmeņus, kas izgatavoti no ātrgriezējītērauda (HSS)
- Neiestipriniet ripzāģi slīpēšanas vai griešanas diskus
- **PIRMS DARBA UZSĀKŠANAS**
- Vienmēr pārliecinieties, ka spriegums, kas uzrādīts uz instrumenta marķējuma plāksnītes, atbilst padeves spriegumam elektrotīklā (230V vai 240V spriegumam paredzētie instrumenti var darboties arī no 220V elektrotīkla)
- Izvairieties no instrumenta bojājumiem, ko var radīt apstrādājamajā priekšmetā esošās skrūves, naglas vai citi līdzīgi objekti; pirms darba uzsākšanas atbrīvojiet apstrādājamo materiālu no šādiem priekšmetiem
- Pirms zāģēšanas nodrošiniet, lai zāģējuma trase no abām zāģējamā priekšmeta pusēm tiktu atbrīvota no jebkāda veida šķēršļiem
- **Nostipriniet apstrādājamo detaļu** (to ir drošāk nostiprināt ar spailēm vai skrūvspīlēm, nevis turēt rokā)
- **Ar piemērota metālmeklētāja palīdzību pārbaudiet, vai apstrādes vietu nekšērso slēptas elektropārvades līnijas, kā arī gāzes vai ūdens caurules; šaubu gadījumā griezieties vietējā komunālās saimniecības iestādē** (darbinstrumentam

skaro elektrotīkla fāzes līniju, var izcelties ugunsgrēks un strādājošais var saņemt elektrisko triecienu; gāzes vada bojājums var izraisīt sprādzienu; darbinstrumentam skaro ūdensvada cauruli, var tikt bojātas materiālās vērtības un strādājošais var saņemt elektrisko triecienu)

- Lietojiet pilnīgi atļūtus un drošus pagarinātājkabeļus, kas paredzēti 16 A strāvāi

#### DARBA LAIKĀ

- Darba laikā instrumenta radītā trokšņa līmenis var pārsniegt 85 dB(A); lietojiet ausu aizsargus
- Nelietojiet ripzāģi, ja uz tā nav nostiprināti visi paredzētie asmens aizsargi
- Nezāģējiet ļoti mazus priekšmetus
- Nestrādājiet ar ripzāģi, turot to virs galvas
- Ja iestrēgst ripzāģa asmens vai notiek jebkura cita mehāniska vai elektriska rakstura kļūme, nekavējoties izslēdziet instrumentu un atvienojiet to no barojošā elektrotīkla
- Ja darba laikā tiek pārgriezts vai citādi mehāniski bojāts instrumenta elektrokabelis, nepieskarieties tam, bet nekavējoties atvienojiet elektrokabeļa kontaktdakšu no barojošā elektrotīkla

#### PĒC DARBA PABEIGŠANAS

- Pirms instrumenta novietošanas izslēdziet tā elektrodzinēju un nogaidiet, līdz ir pilnīgi apstājušās visas instrumenta kustīgās daļas
- Pēc ripzāģa izslēgšanas nemēģiniet nobremzēt zāģa asmeni, izdarot uz to spiedienu sānu virzienā

#### DARBS

- Zāģa asmens iestiprināšana ③
  - ! **atvienojiet instrumentu no elektrotīkla**
  - izņemiet sešstūra stienātslēgu A no ripzāģa nodalījuma B
  - nospiediet instrumenta darbvārpstas fiksējošo pogu C un, turot to nospiestu, ar sešstūra stienātslēgas palīdzību izskrūvējiet zāģa asmens stipriņošo skrūvi D
  - ! **darbvārpstas fiksējošo pogu C drīkst nospiegt tikai tad, kad instruments atrodas miera stāvoklī**
  - atlaidiet fiksējošo pogu C
  - noņemiet paplāksni E
  - lietojot sviru G, atveriet apakšējo asmens aizsargu F un, noturot to atvērtu, ievietojiet zāģa asmeni, sekojot, lai zāģa asmens zobu vērsums un uz zāģa asmens attēlotās bultas virziens sakristu ar bultas virzienu, kas attēlota uz ripzāģa asmens augšējā aizsarga
  - atbrīvojiet apakšējo asmens aizsargu F
  - novietojiet paplāksni E uz zāģa asmens
  - ! **nodrošiniet, lai abu paplākšņu noturvirsmas H būtu nevainojami tīras un būtu vērstas pret zāģa asmeni**
  - nospiediet instrumenta darbvārpstas fiksējošo pogu C un, turot to nospiestu, ar pirkstiem pieskrūvējiet stipriņošo skrūvi un tad pievelciet to ar sešstūra stienātslēgu par 1/8 no pilna apgrieziena (šādi tiek panākta paplākšņu noturvirsmu izslīdēšana gadījumā, ja iestrēgst zāģa asmens, novēršot elektrodzinēja pārslodzi un iespējamo zāģa atsitieni)
  - atlaidiet fiksējošo pogu C
- Zāģēšanas dziļuma iestādīšana (robežās no 0 līdz 55 mm) ④
  - lai nodrošinātu optimālu apstrādes kvalitāti, asmens nedrīkst iziet caur zāģējamā priekšmetu vairāk, kā par 3 mm

- nedaudz atskrūvējiet spārnskrūvi J
- paceļot/nolaizot zāģa pamatni K, iestādiat vēlamo zāģēšanas dziļumu atbilstoši indikatora L rādījumiem uz skalas
- pievelciet spārnskrūvi J
- Zāģēšanas leņķa iestādīšana (robežās no 0° līdz 45°) ⑤
  - nedaudz atskrūvējiet spārnskrūvi M
  - nolieciet instrumentu sānu virzienā, uzstādiat vēlamo zāģēšanas leņķi atbilstoši indikatora N rādījumiem uz skalas
  - pievelciet spārnskrūvi M
  - ! **veidojot slīpos zāģējumus, zāģēšanas dziļums neatbilst uz zāģēšanas dziļuma skalas nolāsāmajai vērtībai**
- Zāģa asmens perpendikularitātes pārbaude attiecībā pret ripzāģa pamatni ⑤
  - iestādiat maksimālo zāģēšanas dziļumu un nostipriniet ripzāģa pamatni K šajā stāvoklī ④
  - iestādiat zāģēšanas leņķi 0° un nostipriniet ripzāģa pamatni
  - ar stūreņa palīdzību pārbaudiat zāģa asmens perpendikularitāti attiecībā pret ripzāģa pamatnes apakšējo virsmu
  - ja vajadzīga regulēšana, nedaudz atskrūvējiet spārnskrūvi M un izmantojiet regulēšanas skrūvi P, kā parādīts attēlā
- Regulējams zāģējuma līnijas vizieris Q ⑥a
  - kalpo, lai atvieglotu instrumenta vadīšanu pa iepriekš iezīmētu zāģējuma līniju
  - veidojot taisnos zāģējumus ar leņķi 0° un slīpos zāģējumus ar leņķi 45°, vadīties pēc atbilstošā zāģējuma līnijas viziera ierobejuma
- ! **zāģēšanas laikā ripzāģa pamatnes paplašinātajai daļai jāatrodas uz zāģējamā priekšmeta atbalstītās daļas**
- zāģējuma līnijas viziera stāvokli var regulēt, tādējādi ļaujot izvēlēties, vai apstrādājamā priekšmeta atgriezums atradīsies pie zāģa asmens iekšējās vai ārējās sānu plaknes ⑥b
- ! **zāģējuma platumu nosaka nevis zāģa asmens korpusa biezums, bet gan tā zobu izvērsuma platumu**
- ! **lai pārbaudītu reālās zāģējuma līnijas atbilstību iepriekš iezīmētajai, pirms darba vienmēr veiciet izmēģinājuma zāģējumus**
- Putekļu uzsūkšana
  - pievienojiet putekļsūcēju instrumenta savienotajam R ⑦
  - ! **darba laikā vadiet ripzāģi tā, lai putekļsūcēja caurule netraucētu apakšējā asmens aizsarga pārvietošanos vai zāģēšanas procesu**
  - drīkst lietot arī putekļu savācējmaisu (SKIL piederums 2610387402)
  - ! **nelietojiet putekļu savācējmaisu/putekļsūcēju, apstrādājot metālu**
- Instrumenta darbināšana ⑦
  - pievienojiet ripzāģa elektrokabeli barojošajam elektrotīklam
  - darba laikā stingri turiet ripzāģi ar abām rokām aiz rokturiem S un T
  - uzsākot zāģēšanu, novietojiet instrumenta pamatnes priekšējo daļu uz zāģējamā priekšmeta virsmas

- ! **nodrošiniet, lai pirms ripzāga ieslēgšanas asmens zobi nepieskartos zāgējamajam priekšmetam**
- ieslēdziet instrumentu, vispirms nospiežot pogu V (= drošības slēdzis bez fiksācijas) un pēc tam nospiežot ieslēdzēja taustiņu W
- ! **kontaktdēji instrumenta asmeni ar zāgējamo priekšmetu tikai pēc tam, kad tā asmens griešanās ātrums ir sasniedzis nominālo vērtību**
- ripzāga apakšējais asmens aizsargs F atveras automātiski, asmenim ieejot zāgējamajā priekšmetā (asmens aizsargs jāatver ar sviras G palīdzību tikai īpašos gadījumos, piemēram, veicot zāgēšanu ar asmens iegremdēšanu)
- ! **nemēģiniet darbinstrumentam piemērot spēku** (piemērojiet vieglu un nepārtrauktu spiedienu, lai izvairītos no asmens galu pārkaršanas, vai, ja tiek griezta plastmasa, no plastmasas materiāla kušanas)
- ! **darba laikā vienmēr turiet instrumentu aiz pelēkās krāsas noturvirsmas(ām)**
- darba operācijas beigās, izslēdziet instrumentu, atbrīvojot ieslēdzēja taustiņu W
- ! **pirms instrumenta pacelšanas no zāgējamā priekšmeta nogaidiet, līdz tā asmens pilnīgi apstājas**

## PRAKTISKI PADOMI

- Izmantojiet slīdes vadotni (SKIL papildpiederums 2610Z04064) kopā ar adapteri, griezuma dziļums samazināsies par 14 mm 90 un 45 grādu griezumiem
- Lai novērstu zāgējamā priekšmeta virsmas plaisāšanu, to ieteicams novietot tā, lai priekšmeta dekoratīvā puse (virspuse) būtu vērsta leņķī
- Lietojiet tikai asus zāga asmeņus, kuru tips atbilst zāgējamā materiāla īpašībām un apstrādes veidam ⑧
  - zāgējuma kvalitāti iespējams uzlabot, lietojot zāga asmeni ar palielinātu zobu skaitu
  - zāga asmeni ar cietmetāla zobiem saglabā darbam nepieciešamo asumu līdz 30 reizēm ilgāk, nekā parastā tipa zāga asmeņi
- Paralēlā vadotne Y ⑨
  - ir paredzēta precīzu zāgējumu veidošanai paralēli zāgējamā priekšmeta malai
  - ir nostiprināma jebkurā instrumenta pusē
 Paralēlās vadotnes stāvokļa regulēšana
  - nedaudz atskrūvējiet spārnskrūvi Z
  - neregulējiet vēlamo zāgēšanas platumu, izmantojot paralēlās vadotnes skalu (izmantojiet zāgējuma līnijas vizieri Q kā atsauci 0 punktam)
  - pievelciet spārnskrūvi Z
- Zāgēšana ar asmens iegremdēšanu ⑩
  - iestādiēt vēlamo zāgēšanas dziļumu
  - nolieciet instrumentu uz priekšu, zāgējuma līnijas viziera Q jāatbilst uz detaļas atzīmētajai vēlamajai griezuma līnijai
  - lietojot sviru G, atveriet apakšējo asmens aizsargu F
  - ieslēdziet ripzāgi un tuviniet tā rotējošo asmeni zāgējamā priekšmeta virsmai, laižot leņķī instrumenta aizmugurējo daļu un izmantojot tā priekšējo daļu kā atbalsta punktu
  - pakāpeniski iegremdējiet ripzāga asmeni zāgējamajā priekšmetā un vienlaikus sāciet virzīt instrumentu uz priekšu zāgējuma virzienā

- ripzāga asmenim ieejot apstrādājamajā materiālā, atlaidiet sviru G

- ! **nekad nevelciet instrumentu atpakaļvirzienā**
- Liela izmēra paneļu zāgēšana ⑪
  - atbalstiet priekšmetu zāgējuma vietas tuvumā, novietojot to uz grīdas vai darbgalda
- ! **iestādiēt vēlamo zāgēšanas dziļumu ar tādu aprēķinu, lai asmens izietu cauri zāgējamajam priekšmetam, bet neskartu virsmu, uz kuras balstās apstrādājamo priekšmets**
- gadījumā, ja taisna zāgējuma veidošanai nav iespējams izmantot paralēlo vadotni, pienāglojiet vai citādi nostipriniet uz zāgējamā priekšmeta virsmas plakānu koka līsti, ko zāgēšanas laikā izmantojiet kā vadotni, virzot gar to ripzāga pamatnes labo malu

## APKALPOŠANA / APKOPE

- Šis darbarīks nav paredzēts profesionālai lietošanai
- Uzturiet tīru instrumentu un elektrokabeli (īpaši ventilācijas atveres)
  - ! **pirms instrumenta tīrīšanas atvienojiet to no elektrotīkla**
- Vienmēr raugieties, lai vieta ap apakšējo aizsargu F ③ būtu tīra (savāciet putekļus un skaidas, tos aizpūšot prom ar saspīestu gaisu vai saslaukot ar slotu)
- Pēc ripzāga lietošanas nekavējoties atīrēt tā asmeni (īpaši no sveķiem un līmes paliekām)
- Ja, neraugoties uz augsto izgatavošanas kvalitāti un rūpīgu pērcražošanas pārbaudi, instruments tomēr sabojājas, tas jānogādā remontam firmas SKIL pilnvarotā elektroinstrumentu remonta darbnīcā
  - nogādājiet instrumentu **neizjauktā veidā** kopā ar iegādes dokumentiem tuvākajā tirdzniecības vietā vai firmas SKIL pilnvarotā pūcegādes apkalpošanas un remonta iestādē (adreses un instrumenta apkalpošanas shēma ir sniegta interneta vietnē www.skil.com)

## APKĀRTĒJĀS VIDES AIZSARDZĪBA

- **Neizmetiet elektroiekārtas, piederumus un iesaiņojuma materiālus sadzīves atkritumos** (tikai ES valstīm)
  - saskaņā ar Eiropas Savienības direktīvu 2012/19/ES par nolietotajām elektriskajām un elektroniskajām iekārtām – tas atspoguļojumiem nacionālajā likumdošanā, nolietotās elektroiekārtas ir jāsavāc, jāizjauc un jānogādā atsevišķā pārstrādei apkārtējai videi nekaitīgā veidā
  - īpašs simbols ⑫ atgādina par nepieciešamību izstrādājumus izlietot videi nekaitīgā veidā

## ATBILSTĪBAS DEKLARĀCIJA C €

### Ripzāgis 5665/5765

#### Tehniskie parametri ①

- Mēs ar pilnu atbildību paziņojam, ka sadaļā "Tehniskie parametri" aprakstītais izstrādājums atbilst šādiem standartiem vai normatīvajiem dokumentiem: EN 60745, EN 61000, EN 55014, kā arī direktīvām 2014/30/ES, 2006/42/EK, 2011/65/ES

- **Tehniškā dokumentācija no:** SKIL Europe BV (PT-SEU/ENG1), 4825 BD Breda, NL

Marijn van der Hoofden  
Operations & Engineering

Olaf Dijkgraaf  
Approval Manager

SKIL Europe BV, 4825 BD Breda, NL

16.10.2014

## TROKSNIS/VIBRĀCIJA

- Saskaņā ar standartu EN 60745 noteiktas instrumenta radītā trokšņa skaņas spiediena līmenis ir 97 dB(A) un skaņas jaudas līmenis ir 108 dB(A) (pie tipiskās izkliedes 3 dB), un vibrācijas paātrinājums ir  $\star$  m/s<sup>2</sup> (vektoru summa trijos virzienos; izkliede K = 1,5 m/s<sup>2</sup>)
    - $\star$  zāģējot kokā 2,6 m/s<sup>2</sup>
    - $\star$  zāģējot metālu 2,2 m/s<sup>2</sup>
  - Vibrācijas līmenis ir noteikts, izmantojot standartā EN 60745 paredzēto procedūru; to var izmantot, lai salīdzinātu instrumentus un provizoriski izvērtētu vibrācijas iedarbību, lietojot instrumentu minētajiem mērķiem
    - instrumenta izmantošana citiem mērķiem vai ar citiem vai nepietiekami koptiem piederumiem var ievērojami **paliecināt** kopējo vibrācijas iedarbības pakāpi
    - laika periodi, kad instruments ir izslēgts vai arī ir ieslēgts, taču darbs ar to nenotiek, var ievērojami **samazināt** kopējo vibrācijas iedarbības pakāpi
- ! pasargājiet sevi no vibrācijas iedarbības, veicot instrumentu un tā piederumu tehnisko apkopi, novēršot roku atdzišanu un pareizi organizējot darbu**

LT

## Diskinis pjūklas

5665/5765

## ĪVADAS

- Šiuo prietaisu galima atlikti išilginius ir skersinius pjūvius medienoje, pjaunant statmenai arba 45° kampū; naudojant atitinkamos paskirties pjūklo diskus galima pjauti ir spalvotuosius metalus, lengvas statybines medžiagas ir plastiką
- Šis prietaisas neskirtas profesionaliam naudojimui
- Perskaitykite ir išsaugokite šią naudojimo instrukciją ②

## TECHNINIAI DUOMENYS ①

## SAUGA

### BENDROSIOS DARBO SAUGOS INSTRUKCIJOS

**⚠ DĒMESIO! Perskaitykite visas šias saugos nuorodas ir reikalavimus.** Jei nepaisysite žemiau pateiktų saugos nuorodų ir reikalavimų, gali trenkti elektros smūgis, kilti gaisras ir/arba galite sunkiai susižaloti arba sužaloti kitus asmenis. **Išsaugokite šias saugos nuorodas ir**

**reikalavimus, kad ir ateityje galėtumėte jais pasinaudoti.** Toliau pateiktame tekste vartojama sąvoka "elektrinis įrankis" apibūdina įrankius, maitinamus iš elektros tinklo (su maitinimo laidu), ir akumuliatorinius įrankius (be maitinimo laido).

### 1) DARBO VIETOS SAUGUMAS

- Darbo vieta turi būti švari ir tvarkinga.** Tinkama aplinka darbuotojui gali tapti nelaimingų atsitikimų priežastimi.
  - Nedirbkite tokioje aplinkoje, kur yra degių skysčių, dujų ar dulkių.** Elektriniai įrankiai gali kibirkščiuoti, o nuo kibirkščių dulkės arba susikaupę garai gali užsidegti.
  - Dirbdami su elektriniu įrankiu neleiskite šalia būti žiūrovams, vaikams ir lankytojams.** Nukreipę dėmesį į kitus asmenis galite nebesuvaldyti prietaiso.
- ### 2) ELEKTROSAUGA
- Maitinimo laido kištukas turi atitikti tinklo rozetės tipą.** Kištuko jokių būdų negalima modifikuoti. **Nenaudokite jokių kištuko adapterių su žemintais prietaisais.** Originalūs kištukai, tiksliai tinkantys elektros tinklo rozetei, sumažina elektros smūgio pavojų.
  - Venkite kūno kontakto su žemintais paviršiais, tokiais kaip vamzdžiai, šildytuvai, viryklės ar šaldytuvai.** Egzistuoja padidinta elektros smūgio rizika, jei Jūsų kūnas bus žemintas.
  - Saugokite prietaisą nuo lietaus ir drėgmės.** Jei vanduo patenka į elektrinį prietaisą, padidėja elektros smūgio rizika.
  - Nenaudokite maitinimo laido ne pagal paskirtį, t. y. neneškite prietaiso paėmę už laido, nekabinkite prietaiso už laido, netraukite už jo, norėdami išjungti kištuką iš rozetės.** Laidą klokite taip, kad jo neveiktų karštis, jis neišsitemptų alyva ir jo nepažeistų aštrios detalės ar judančios prietaiso dalys. Pažeisti arba susipynę laidai gali tapti elektros smūgio priežastimi.
  - Jei su elektriniu įrankiu dirbate lauke, naudokite tik tokius ilginius kabelius, kurie tinka lauko darbams.** Naudojant lauko darbams pritaikytus ilginių kabelius, sumažinamas elektros smūgio pavojus.
  - Jei su elektriniu įrankiu neišvengiamai reikia dirbti drėgnoje aplinkoje, naudokite žemimimo grandinės pertraukiklį.** Naudojant žemimimo grandinės pertraukiklį, sumažėja elektros smūgio pavojus.
- ### 3) ŽMONIŲ SAUGA
- Būkite atidūs, sutelkite dėmesį į tai, ką Jūs darote ir, dirbdami su elektriniu įrankiu, vadovaukitės sveiku protu.** **Nedirbkite su prietaisu, jei esate pavargę arba vartojote narkotikus, alkoholį ar medikamentus.** Akimirksnio neatidumas naudojant prietaisą gali tapti rimtu sužalojimų priežastimi.
  - Naudokite asmenines apsaugos priemones ir visuomet užsidėkite apsauginius akinius.** Naudojant asmenines apsaugos priemones, pvz., respiratorių ar apsauginę kaukę, neslystančius batus, apsauginį šalną, klausos apsaugos priemones ir kt., rekomenduojamas dirbant su tam tikros rūšies įrankiais, sumažėja rizika susižeisti.
  - Saugokitės, kad neįjungtumėte prietaiso atsitiktinai.** **Prieš prijungdami elektrinį įrankį prie elektros tinklo ir/arba akumuliatoriaus, prieš pakeldami ar nešdami**

įsitikinkite, kad jis yra išjungtas. Jeigu nešdami elektrinį įrankį pirštą laikysite ant jungiklio arba prietaisą įjungsite į elektros tinklą, kai jungiklis yra įjungtas, gali įvykti nelaimingas atsitikimas.

- d) **Prieš įjungdami prietaisą pašalinkite reguliavimo įrankius arba veržlių raktus.** Prietaiso besisukančioje dalyje esantis įrankis ar raktas gali tapti sužalojimų priežastimi.
- e) **Nepervertinkite savo galimybių. Dirbdami atsistokite patikimai ir visada išlaikykite pusiausvyrą.** Patikima stovėseną ir tinkamą kūno laikyseną leis geriau kontroliuoti prietaisą netikėtose situacijose.
- f) **Dėvėkite tinkamą aprangą. Nedėvėkite plačių drabužių ir papuošalų. Saugokite plaukus, drabužius ir pirštines nuo besisukančių prietaiso dalių.** Laisvus drabužius, papuošalus bei ilgus plaukus gali įtraukti besisukančios dalys.
- g) **Jei yra numatyta galimybė prijungti dulkių nusiurbimo ar surinkimo įrenginius, visada įsitikinkite, ar jie yra prijungti ir ar teisingai naudojami.** Naudojant dulkių nusiurbimo įrenginius sumažėja kenksmingas dulkių poveikis.

#### 4) RŪPESTINGA ELEKTRINIŲ ĮRANKIŲ PRIEŽIŪRA IR NAUDOJIMAS

- a) **Neperkraukite prietaiso. Naudokite Jūsų darbui tinkamą elektrinį įrankį.** Su tinkamu elektriniu įrankiu Jūs dirbsite geriau ir saugiau, jei neviršysite nurodyto galingumo.
- b) **Nenaudokite elektrinio įrankio su sugedusiu jungikliu.** Elektrinis įrankis, kurio nebegalima įjungti ar išjungti, yra pavojingas ir jį reikia remontuoti.
- c) **Prieš reguliuodami prietaisą, keisdami darbo įrankius ar prieš valydami prietaisą, iš elektros tinklo lizdo ištraukite kištuką ir/arba išimkite akumuliatorių.** Ši saugumo priemonė apsaugos jus nuo netikėto prietaiso išjungimo.
- d) **Nenaudojamą prietaisą sandėliuokite vaikams ir nemokantiems juo naudotis asmenims neprieinamoje vietoje.** Elektriniai įrankiai yra pavojingi, kai juos naudoja nepatyrę asmenys.
- e) **Rūpestingai prižiūrėkite prietaisą. Tikrinkite, ar besisukančios prietaiso dalys tinkamai veikia ir niekur neklūva, ar nėra sulūžusių ar šiaip pažeistų dalių, kurios įtakotų prietaiso veikimą.** Prieš vėl naudojant prietaisą pažeistos prietaiso dalys turi būti suremontuotos. Daugelio nelaimingų atsitikimų priežastis yra blogai prižiūrimi elektriniai įrankiai.
- f) **Pjovimo įrankiai turi būti aštrūs ir švarūs.** Rūpestingai prižiūrėti pjovimo įrankiai su aštriomis pjaunamosiomis briaunomis mažiau stringa ir juos yra lengviau valdyti.
- g) **Elektrinį įrankį, papildomą įrangą, darbo įrankius ir t. t. naudokite taip, kaip nurodyta šioje instrukcijoje. Taip pat atsivėlikite į darbo sąlygas bei atliekamo darbo pobūdį.** Naudojant elektrinius įrankius ne pagal jų paskirtį galima sukelti pavojingas situacijas.

#### 5) APTARNAVIMAS

- a) **Prietaisą turi remontuoti tik kvalifikuotas specialistas ir naudoti tik originalias atsargines dalis.** Taip galima garantuoti, jog prietaisas išliks saugus.

#### SAUGOS NUORODOS DIRBANTIEMS SU DISKINIAIS PJŪKLAIS

##### 1) PJOVIMO OPERACIJA

- a) **PAVOJUS** : Nekiškite rankų į pjovimo zoną ir prie pjūklo disko. Antrąją ranką laikykite papildomą rankeną arba variklio korpusą. Jei pjūklas laikomas abiem rankomis, tai pjūklo diskas jų nesužalos.
- b) **Nelieskite apdirbamo ruošinio apačios.** Apsauginis gaubtas neapsaugos jūsų nuo ruošinio apačioje išlindusio pjūklo disko.
- c) **Pjovimo gylį tinkamai nustatykite pagal ruošinio storį.** Ruošinio apačioje turi matytis šiek tiek mažiau, nei visas pjūklo dantis.
- d) **Pjaunamojo ruošinio niekada nelaikykite rankose ar pasidėję ant kojos. Patikimai jį įtvirtinkite stabiliam tvare.** Labai svarbu ruošinį tinkamai įtvirtinti, kad išvengtumėte pjūklo kontakto su jūsų kūnu, neužstrigtų pjūklo diskas ar neprarastumėte kontrolės.
- e) **Jei yra tikimybė, jog dirbant darbo įrankis gali kliudyti paslėptą laidą, elektrinį įrankį laikykite tik už izoliuotų rankenų.** Dėl kontakto su laidininku, kuriuo teka el. srovė, elektrinio įrankio metalinėse dalyse gali atsirasti įtampa ir sukelti elektros smūgį.
- f) **Atliekant išilginį pjūvį visada naudokite lygiagrečią atramą arba kreipiančiąją liniuotę.** Tuomet pjausite tiksliau ir sumažinsite pjūklo strigimo tikimybę.
- g) **Naudokite tik tinkamo dydžio pjūklo diskus ir su tinkama tvirtinimo anga (pvz., žvaigždės formos arba apvalia).** Pjūklo diskai, kurie neatitinka pjūklo tvirtinamųjų dalių formos, sukasi ekscentriškai, todėl iškyla pavojus nesuvaldyti prietaiso.
- h) **Niekada nenaudokite pažeistų ar netinkamų pjūklo disko tarpinių poveržlių ir varžtų.** Pjūklo disko tarpinės poveržlės ir varžtai buvo sukonstruoti specialiai Jūsų pjūklui, kad būtų garantuotas optimalus rezultatas ir saugus darbas.

##### 2) ATATRANKA – PRIEŽASTYS IR ATITINKAMOS SAUGOS NUORODOS

- Atatranka yra staigi reakcija dėl įsprauto, užsikirtusio ar blogai nukreipto pjūklo disko, kuomet pjūklas nekontroliuojamai išsoka iš ruošinio link naudotojo
  - Jei pjūklo diskas yra per stipriai prispaudžiamas arba užspaudžiamas į apačią siaurėjančiame pjūvio plyšyje, jis sustoja, o veikiantis variklis tuomet staiga meta prietaisą atgal link naudotojo
  - Jei pjaunant pjūklo diskas persikreipia ar yra neteisingai nukreipiamas, pjūklo disko užpakalinės briaunos dantys gali įsikibinti į medžio paviršius ir tuomet, pjūklo diskui išsilaivinus iš plyšio, pjūklas atšoka naudotojo link
  - Atatranka yra prietaiso netinkamo naudojimo ir/arba neteisingo valdymo ar naudojimo sąlygų rezultatas ir atitinkamos priemonės (žr. žemiau) leidžia jos išvengti
- a) **Pjūklą visada tvirtai suspauskite abiem rankom ir rankas laikykite tokioje padėtyje, kad galėtumėte įveikti atatrankos jėgas.** Jūsų kūnas turėtų būti šalia pjūklo disko, bet jokia būdu ne vienoje linijoje su pjūklo disku. Dėl atatrankos pjūklas galėtų atšokti atgal, bet naudotojas gali kontroliuoti atatrankos jėgas, jei imsis atitinkamų priemonių.
  - b) **Jei pjūklo diskas užstringa arba jei dėl kokios nors priežasties pjovimo procesas yra nutraukiamas,**

išjunkite jungiklį ir pjūklą palikite ruošinyje, kol pjūklas diskas visiškai sustos. Niekada nebandykite pjūklo disko ištraukti iš ruošinio ar pjūklą traukti atgal, kol pjūklo diskas dar sukasi, nes tai gali sąlygoti atatranką. Patikrinkite tai ir imkitės priemonių pjūklo disko strigimo priežastims pašalinti. Nepjunkite vinių ir varžtų.

- c) **Vėl įjungdami pjūklą ruošinyje, centruokite pjūklo diską pjūvio plyšyje ir patikrinkite, ar pjūklo dantys nėra įsikabinę į ruošinį.** Jei pjūklo diskas stringa, vėl įjungus pjūklą, jis gali iškilni į viršų arba gali atsirasti atatranka.
- d) **Norėdami minimizuoti pjūklo disko užsikirtimą ar atatrankos galimybę, didesles plokštes paremkite.** Didelės plokštės dėl savo svorio išlinksta. Plokštė turi būti atremta iš abiejų pusių, t.y. šalia pjovimo linijos ir šalia plokštės krašto.
- e) **Nenaudokite neaštrių ir pažeistų pjūklo diskų.** Neaštrūs ar blogai praskėsti pjūklo dantys palieka siauresnį pjovimo taką, todėl atsiranda per didelę trintį, atatranka, stringa pjūklo diskas.
- f) **Apsauginė rankenėlė, kuria reguliuojamas pjovimo gylis ir pjūklo disko posvirio kampas, prieš pjaunant turi būti tvirtai ir patikimai užveržta.** Jei pjaunant keičiasi pjūklo disko padėtis, tai gali sąlygoti įstrigimą ir atatranką.

- g) **Būkite ypač atsargūs pjaudami sienose ar kituose nepermatomuose paviršiuose.** "Panyrantis" į ruošinį pjūklo diskas pjudamas paslėptus objektus gali įstrigti ir sukelti atatranką.

### 3) APATINIO APSAUGINIO GAUBTO FUNKCIJA

- a) **Prieš kiekvieną naudojimą patikrinkite, ar apatinis apsauginis gaubtas tinkamai užsidaro. Nenaudokite pjūklo, jei apatinis apsauginis gaubtas negali laisvai judėti ir tuojau neužsidaro.** Niekomet nebandykite užfiksuoti apatinio apsauginio gaubto atidarytoje padėtyje ką nors ten įsprausdami ar jį pririšdami. Jei pjūklas netyčia nukrenta, dėl to gali įlįkti apatinis apsauginis gaubtas. Ištraukite kištuką iš elektros lizdo, naudodami pakėlimo rankeną atidarykite jį ir įsitinkite, kad jis juda laisvai ir neliečia nei pjūklo disko, nei kurios nors kitos kokios dalies, kreipiant pjūklą įvairiais kampais ir nustatant įvairių pjovimo gylį.
- b) **Patikrinkite apatinio apsauginio gaubto spyruoklių veikimą.** Jei apatinis apsauginis gaubtas ir spyruoklės veikia netinkamai, prieš naudojimą jiems reikia atlikti techninę profilaktiką. Dėl pažeistų dalių, lipnių nuosėdų arba susikaupusių nešvarumų apatinis gaubtas gali sunkiau judėti.
- c) **Apatinį apsauginį gaubtą rankiniu būdu atidaryti galima tik atliekant specialius pjūvius, pvz., panardinant pjūklą ruošinio viduryje. Apatinį apsauginį gaubtą pakelkite rankenėle, ir, kai tik pjūklo diskas sulįs į ruošinį, paleiskite apatinį apsauginį gaubtą.** Atliekant kitus pjovimo darbus apatinis apsauginis gaubtas atsидaro ir užsidaro savaime.
- d) **Prieš padėdami pjūklą ant pjovimo stalo ar ant grindų visada įsitinkite, kad apatinis apsauginis gaubtas apgaubia pjūklo diską.** Jei apsauginis gaubtas neužsidaro, dėl besisukančio pjūklo disko pjūklas gali judėti atgal ir pjauti viską, kas pasitaiko jo kelyje. Turėkite omenyje, kad atleidus jungiklį turi praeiti šiek tiek laiko, kol pjūklo diskas visiškai sustoja.

## PAPILDOMOS SAUGOS NUORODOS

### BENDROJI DALIS

- Šį prietaisą turėtų naudoti tik asmenys, kuriems 16 ir daugiau metų
- Šis prietaisas netinka pjovimui šlapiuoju būdu
- **Prieš reguliuojant prietaisą arba keičiant darbo įrankius, ištraukite kištuką iš el. tinklo lizdo**
- Prietaisą su pažeistu kabeliu naudoti draudžiama; jį turi pakeisti kvalifikuotas elektrikas
- **Draudžiama apdirbti medžiagas, kurių sudėtyje yra asbesto** (asbestos pasižymi vėžį sukeliančiu poveikiu)
- Kai kurių medžiagų, kaip antai dažų, kurių sudėtyje yra švino, kai kurių medžių rūšių medienos, mineralų ir metalo dulkių gali būti kenksmingos (kontakto su šiomis dulkelėmis arba įkvėptos dulkelės gali sukelti operatoriui arba šalia esantiems žmonėms alergines reakcijas ir/arba kvėpavimo sistemos susirgimus); **mūvėkite priešdulkinę puskaukę arba dirbdami naudokite dulkių ištraukimo įrenginį, jei jį galima prijungti**
- Kai kurių rūšių dulkių priskiriamos kancerogeninėms (pvz., ažuolo arba buko medienos dulksės), ypač susimaišijusios su medienos taurinimui naudojamais priedais; **mūvėkite priešdulkinę puskaukę arba dirbdami naudokite dulkių ištraukimo įrenginį, jei jį galima prijungti**
- Vadovaukitės Jūsų šalyje taikomų direktyvų reikalavimais, skirtais medžiagoms, su kuriomis norite dirbti
- Naudokite tik tokį pjovimo stalą, kuris aprūpintas jungikliu, apsaugančiu nuo netikėto pakartotino įsijungimo tuo atveju, kai nutrūksta ir vėl atsiranda elektros srovė
- Naudokite tik pjovimo stalą su integruotu skeliančiuoju peiliu

### PAPILDOMA ĮRANGA

- SKIL gali garantuoti neprikiaštingą prietaiso veikimą tik tuo atveju, jei naudojama originali papildoma įranga ir priedai
- Leidžiama naudoti tik tokius įrankius, kurių maksimalus leistinas apsisukimų skaičius yra ne mažesnis, nei maksimalus Jūsų prietaiso sukūti skaičius
- **Naudokite tik tokius pjūklo diskus, kurių skersmuo ne mažesnis kaip 170 mm, ne didesnis kaip 184 mm, o veleno angos skersmuo – 16 mm**
- Neleidžiama naudoti diskų iš aukštai legiruoto greitapjovio plieno (HSS)
- Nenaudokite abrazyvinių pjovimo diskų dirbdami su šiuo prietaisu

### PRIEŠ EKSPLOATACIJĄ

- Visada patikrinkite, ar elektros tinklo įtampa sutampa su įtampos dydžiu, nurodytu prietaiso vardinėje lentelėje (prietaisus su nurodyta įtampa 230V ir 240V galima jungti į 220V įtampos elektros tinklą)
- Saugokite, kad nepažeistumėte prietaiso į ruošinyje esančius varžtus, vinius ir pan; prieš pradėdami darbą juos pašalinkite
- Prieš pradėdami pjauti pašalinkite visas pjūvio linijoje esančias kliūtis tiek ruošinio viršuje, tiek ir apačioje
- **Saugiai laikykite tvirtinamą dirbinį** (dirbinį), kurio segamas ar kalamas kabliu įrankiais, saugiai laikyti spaustuvu nei ranka)



- Naudodami tam skirtus paieškos prietaisus, patikrinkite, ar gręžimo vietoje nėra paslėptų komunalinių tinklų vamzdžių, arba pasikivieskite į pagalbą vietinius komunalinių paslaugų tiekėjus (kontaktas su elektros laidais gali sukelti gaisro bei elektros smūgio pavojų; pažeidus dujotiekio vamzdį, gali įvykti sproginimas; pažeidus vandentiekio vamzdį, galima pridaryti daugybę nuostolių bei sukelti elektros smūgio pavojų)
- Naudodami ilginamuosius kabelius atkreipkite dėmesį į tai, kad kabelis būtų iki galo išvyniotas ir būtų pritaikytas 16 A elektros srovei

## EKSPLOATACIJA

- Darbo metu triukšmo lygis gali viršyti 85 dB(A); naudoti klausos apsaugos priemones
- Niekuomet nenaudokite prietaisai be originalios apsauginės įrangos
- Nemėginkite pjauti labai mažų ruošinių
- Nedirbkite su prietaisu išklėję jį virš galvos
- Jeigu pjūklas užsiblokavo arba pajutote, kad prietaisas veikia ne taip, kaip visada, arba girdisi nebūdingi garsai, tuojau pat jį išjunkite ir ištraukite kištuką iš elektros tinklo lizdo
- Jei dirbant bus pažeistas ar nutrauktas kabelis, būtina neliečiant kabelio tuojau pat ištraukti kištuką iš elektros tinklo lizdo

## PO EKSPLOATACIJOS

- Prieš padėdami prietaisą jį išjunkite ir palaukite, kol visos besisukančios jo dalys visiškai sustos
- Išjungus pjūklą, negalima stabdyti besisukančio disko šoniniu prispaudimu

## NAUDOJIMAS

- Pjūklo disko montavimas ③
  - ! **ištraukite kištuką iš elektros lizdo**
  - iš lizdo B atraminėje plokštėje išimkite šešiabriaunį raktą A
  - suklio blokavimo mygtuką C paspauskite ir laikykite, kol šešiabriauniu raktu išsusiute disko prispaudimo varžtą D
  - ! **suklio blokavimo mygtuką C spauskite tik prietaisui sustojus**
  - atleiskite suklio blokavimo mygtuką C
  - nuimkite flanšą E
  - rankenėlę G atidarykite apatinį apsauginį gaubtą F ir laikykite atidarytą, kol montuokite pjūklo diską; žiūrėkite, kad rodyklių, esančių ant pjūklo disko ir ant pjūklo viršutinio apsauginio gaubto, kryptys sutaptų
  - uždarykite apatinį apsauginį gaubtą F
  - uždėkite flanšą E
  - ! **pasirūpinkite, kad flanšo prispaudimo plokštumos H būtų visiškai švarios ir būtų nukreiptos į pjūklo disko pusę**
  - suklio blokavimo mygtuką C paspauskite ir laikykite, kol šešiabriauniu raktu užveršite disko prispaudimo varžtą iki galo, o po to atsukite jį per 1/8 apsisukimo (užtikrina disko praslydimą, pjūklo dantims sutikus didelį pasipriešinimą; taip sumažėja variklio perkrova ir atatrankos pavojus)
  - atleiskite suklio blokavimo mygtuką C
- Pjovimo gylio reguliavimas (0-65 mm) ④
  - optimali pjovimo kokybė pasiekama tuomet, kai pjūklo diskas išsiikiša ruošinio apačioje ne daugiau kaip per 3 mm

- atlaisvinkite rankenėlę J
- kojelę K pakelti arba nuleisti žemyn, pagal žymę L skalėje nustatyti norimą pjovimo gyli
- vėl užveržkite rankenėlę J
- Pjovimo kampo nustatymas (0-45°) ⑤
  - atlaisvinkite rankenėlę M
  - prietaisą paverskite norimu kampu, orientuodamiesi pagal žymeklio N padėtį skalėje
  - vėl užveržkite rankenėlę M
  - ! **atliekant įstrižus pjūvius, pavertus pjūklo diską kampu, gylio skalėje pažymėtos padalos neatitinka tikrojo pjovimo gylio**
- 90° kampo patikrinimas ⑤
  - kojelę K nustatyti į maksimalaus pjovimo gylio padėtį ir užfiksuoti ④
  - pjovimo kampą nustatyti ties 0° padala ir užfiksuoti
  - kampainiu patikrinkite, ar yra 90° kampas tarp pjūklo disko ir atraminės plokštės apatinės plokštumos
  - jei reikia reguliuoti, atlaisvinti rankenėlę M ir naudoti reguliavimo varžtą P kaip parodyta
- Reguluojama pjūvio linijos žymė Q ⑥a
  - padeda tiksliai vesti prietaisą pagal ant ruošinio užbrėžtą liniją
  - tiesiam 0° arba įstrižam 45° pjūviui reikia naudoti atitinkamą žymeklio liniją
  - ! **didesnė atraminės plokštumos dalis turi gulti ant paremtos ruošinio dalies**
  - galima pasirinktinai nustatyti, ar atpjauta nereikalinga ruošinio dalis bus disko išorinėje ar vidinėje pusėje ⑥b
  - ! **pjūvio plotis priklauso nuo pjūklo dantų tako pločio, o ne nuo disko storio**
  - ! **norėdami sužinoti tikrąją pjūvio liniją, visuomet pirmiausiai atlikite bandomąjį pjūvį**
- Dulkių nusirbimas
  - užmaukite nusirbimo žarną ant adapterio R ⑦
  - ! **pasirūpinkite, kad nusirbimo žarna nesudarytų kliūties apatiniam apsauginiam gaubtui ir netrukdytų dirbti**
  - galima naudoti taip pat dulkių maišelį (SKIL papildoma įranga 2610387402)
  - ! **nenaudokite dulkių surinkimo maišelio/dulkių siurblio pjaudami metalą**
- Prietaiso naudojimas ⑦
  - įjunkite kištuką į el. tinklo rozetę
  - visuomet laikykite viena ranka suėmę rankeną S, o kita – rankeną T
  - uždėkite prietaisą atraminės plokštės priekine dalimi ant ruošinio
  - ! **žiūrėkite, kad pjūklo dantys nesiremtų į ruošinį**
  - įjunkite prietaisą, pirmiausiai nykščiu nuspausdami mygtuką V (apsauginis jungiklis, kurio negalima užfiksuoti), o po to nuspausdami jungiklį W
  - ! **pjūklo diskas pirmiausia turi pilnai įsibėgėti, tik po to jį galima glausti prie ruošinio**
  - apatinis apsauginis gaubtas F atsidaro savaime, kuomet pjūklo diskas pjaunant sulenda į ruošinį (apatinį apsauginį gaubtą rankiniu būdu atidaryti galima tik atliekant specialius pjūvius, pvz., panardinant pjūklą ruošinio viduryje; atidarymui naudoti rankenėlę G)

- ! **nespauskite įrankio** (kad neperkaistų pjūklo dantys ir, pjaustant plastiką, pastarasis nesilydytų, spauskite lengvai ir nuolat)
- ! **dirbdami laikykite prietaisą už pilkos spalvos suėmimo vietas(-ų)**
- užbaigę pjūvį, išjunkite prietaisą, atleisdami jungiklį W
- ! **prieš atitraukdami prietaisą nuo ruošinio įsitikinkite, kad pjūklo diskas visiškai sustojo**

## NAUDOJIMO PATARIMAI

- Naudojant kreipiamuosius bėgelius (SKIL priedo 2610Z04064) kartu su adapteriu, pjovimo gylis mažinamas 14 mm 90 ir 45 laipsnių pjovimams
- Visuomet guldykite ruošinį gerąja puse į apačią, taip bus žymiai mažiau atplaišų
- Naudokite tik aštrius, tinkamos rūšies pjūklo diskus ⑧
  - geresnė pjūvio kokybė gaunama naudojant pjūklo diskus su didesniu dantų skaičiumi
  - pjūklo diskai su kietlydinio plokštelėmis tarnauja iki 30 kartų ilgiau, nei įprastiniai pjūklo diskai
- Lygiagrečiai atrama Y ⑨
  - skirta tiksliems lygiagrečiams pjūviams pagal ruošinio kraštą
  - galima iš abiejų pusių įstatyti į atraminę plokštę Lygiagrečios atramos nustatymas
  - atlaisvinti rankenėlę Z
  - nustatyti norimą pjovimo plotį, naudojant lygiagrečią atramą (pjūvio linijos žymę Q naudokite kaip 0 orientyrą)
  - vėl priveržti rankenėlę Z
- Įpjovos ruošinio viduryje, panardinant pjūklą ⑩
  - nustatykite norimą pjovimo gylį
  - veskite įrankį pirmyn taip, kad pjūvio linijos žymę Q tiksliai atitiktų reikiamą pjūvio liniją, užbrėžtą ant ruošinio
  - rankenėle G atidarykite apatinį apsauginį gaubtą F
  - prieš pat pjūklo dantims prisiliečiant prie ruošinio įjunkite pjūklą ir, iš lėto nuleisdami galinę prietaiso dalį, įpjaukite ruošinį; priekinė atraminės plokštės dalis visą tą laiką turi būti atremta į ruošinį ir tarnauti kaip atramos taškas
  - lėtai įleisdę pjūklo diską į ruošinį, po truputį pjūklą stumkite ir į priekį
  - kuomet atraminė plokštė visiškai priglus prie ruošinio, paleiskite rankenėlę G
- ! **jokiu būdu netraukti pjūklo atgal**
- Didelių plokščių pjaustymas ⑪
  - plokštę atremkite netoli pjūvio linijos, paguldę ją ant grindų, stalo ar varstoto
- ! **pjovimo gylį nustatykite taip, kad perpjautumėte tik plokštę, bet neįpjautumėte atramos, ant kurios ji guli**
- jei lygiagrečios atramos nepakanka norimam pjovimo pločiui nustatyti, prie ruošinio pritvirtinkite tiesią medinę juostelę, kurią panaudokite kaip kreipiančiąją liniuotę; priglauskite prie jos dešiniąją atraminės plokštės kraštą ir stumkite prietaisą išilgai šios liniuotės

## PRIEŽIŪRA / SERVISAS

- Šis prietaisas neskirtas profesionaliam naudojimui
- Periodiškai valykite prietaisą ir kabelį (ypač ventiliacines angas)
- ! **prieš valydami ištraukite kištuką iš elektros tinklo lizdo**
- Rūpinkitės, kad plotas aplink apatinį apsauginį gaubtą F ③ būtų visada švarus (dulkes ir pjuvenas išpūskite suspaustu oru arba valykite šepetėliu)
- Po pjovimo iš karto nuvalykite pjūklo diską (ypač nuo dervų bei lakų liekanų)
- Jeigu prietaisas, nepaisant gamykloje atliekamo kruopštaus švarbos ir kontrolės proceso, vis dėlto sugestų, jo remontas turi būti atliekamas įgaliotose SKIL elektrinių įrankių remonto dirbtuvėse
- **neišardyta** prietaisą kartu su pirkimo čekiu siųskite tiekėjui arba į artimiausią SKIL firmos įgaliotą elektros prietaisų techninio aptarnavimo tarnybą (adresus bei atsarginių dalių brėžinius rasite [www.skil.com](http://www.skil.com))

## APLINKOSAUGA

- **Nemeskite elektrinių įrankių, papildomos įrangos ir pakuotės į buitinių atliekų kontenerius** (galioja tik ES valstybėms)
  - pagal ES Direktyvą 2012/19/EG dėl naudotų elektrinių ir elektroninių prietaisų atliekų utilizavimo ir pagal vietinius valstybės įstatymus atitarnavę elektriniai įrankiai turi būti surenkami atskirai ir gabenami į antrinių žaliavų tvarkymo vietas, kur jie turi būti sunaikinami ar perdirbami aplinkai nekenksmingu būdu
  - apie tai primins simbolis ⑫, kai reikės išmesti atitarnavusį prietaisą

## ATITIKTIES DEKLARACIJA C E

### Diskinis pjūklas 5665/5765

#### Techniniai duomenys ①

- Atsakingai pareiškiamo, kad skyriuje "Techniniai duomenys" aprašytas gaminytis atitinka žemiau pateiktus standartus ir norminius dokumentus: EN 60745, EN 61000, EN 55014 pagal direktyvų 2014/30/ES, 2006/42/EB, 2011/65/ES reikalavimus
- **Techninė byla laikoma:** SKIL Europe BV (PT-SEU/ENG1), 4825 BD Breda, NL

Marijn van der Hoofden  
Operations & Engineering

Olaf Dijkgraaf  
Approval Manager

SKIL Europe BV, 4825 BD Breda, NL

16.10.2014

## ТРИУЌСМИГУМАС/ВИБРАЦИЈА

- Šio prietaiso triuċšmingumas buvo išmatuotas pagal EN 60745 reikalavimus; keliamo triuċšmo garso slėgio lygis siekia 97 dB(A) ir akustinio galingumo lygis 108 dB(A) (standartinis nuokrypis: 3 dB), ir vibracijos \* m/s<sup>2</sup> (trijų krypčių atstojamasis vektorius; paklaida K = 1,5 m/s<sup>2</sup>)
    - \* pjudami medžia 2,6 m/s<sup>2</sup>
    - \* pjudami metalą 2,2 m/s<sup>2</sup>
  - Vibracijos sklaidos lygis išmatuotas pagal standarte EN 60745 išdėstytus standartizuoto bandymo reikalavimus; ši vertė gali būti naudojama vienam įrankiui palyginti su kitu bei išankstiniams vibracijos poveikiui įvertinti, kai įrankis naudojamas paminėtais būdais
    - naudojant įrankį kitokiais būdais arba su kitokiais bei neįprastai prižiūrimais priedais, gali žymiai padidėti poveikio lygis
    - laikotarpiams, kai įrankis išjungtas arba yra įjungtas, tačiau juo nedirbama, gali žymiai sumažėti poveikio lygis
- ! apsisaugokite nuo vibracijos poveikio prižiūrėdami įrankį ir jo priedus, laikydami rankas šiltai ir derindami darbo ciklus su pertraukėlėmis**

МК

## Циркуларна пила

5665/5765

## УПАТСТВО

- Овој алат е наменет за сечење на дрво по должина и по широчина, праволиниски и под агол до 45°; со соодветни пили; може да се сечат и материјали кои не се од железо, туку од лесна греда и пластика
- Овој алат не е наменет за професионална употреба
- Внимателно прочитајте го и зачувајте го ова упатство за ракување ②

## ТЕХНИЧКИ ПОДАТОЦИ ①

## БЕЗБЕДНОСТ

### ОПШТИ УПАТСТВА ЗА БЕЗБЕДНОСТ

**▲ ПРЕДУПРЕДУВАЊЕ!** Сите упатства мора да се прочитаат. Непочитување на долу наведените упатства може да предизвика струен удар, пожар и/или тежки повреди. **Чувајте ги сите предупредувања и напатствија за во иднина.** Поимот "електричен алат", кој се користи во понатамошниот текст, се однесува на вашиот електричен алат (со приклучен кабел) и на електрични алати со погон на батерии (без приклучен кабел).

### 1) БЕЗБЕДНОСТ НА РАБОТНОТО МЕСТО

- Одржувајте го вашето работно место чисто и уредно.** Неуреден или темен работен простор може да предизвикаат незгоди.
- Немојте да работите со уредот во средина во која има опасност од експлозија, во која има запаливи течности, гасови и прашина.**

Електричните алати произведуваат искри кои можат да запалат прашина или пара.

- За време на употребата на електричниот алат, децата и останатите лица држете ги подалеку од местото каде работите.** Одвркање, би можеле да изгубите контрола врз уредот.

### 2) ЕЛЕКТРИЧНА СИГУРНОСТ

- Утиџа мора да одговара на приклученост. Никако не смее да се прават измени на штекерот. Не користете адаптерски штекер заедно со уредот кој е заштитно заземјен.** Не променети штекери и соодветни приклучоци го намалуваат ризикот од електричен удар.
  - Избегнувајте допир на телото со заземјени површини, како што се цевки, радијатори, рерни и фрижидери.** Постои зголемена опасност од струен удар, доколку Вашето тело е заземјено.
  - Чувајте го уредот подалеку од дожд и влага.** Продирањето на вода во електричниот уред ја зголемува опасноста од струен удар.
  - Не злоупотребувајте го приклучниот кабел за носење, бeseње на уредот или за извлекување на штекерот од мрежниот приклучок. Чувајте го кабелот подалеку од топлина, масло, остри рабови или деловите на апаратот кои се движат.** Оштетени или заплеткани кабли ја зголемуваат опасноста од струен удар.
  - Кога го употребувате полначот надвор, користете продолжен кабел кој е соодветен за употреба на отворен простор.** Примената на продолжен кабел соодветен за работа на отворен простор ја намалува опасноста од струен удар.
  - Доколку не може да се избегне работа со електричниот алат во влажна средина, користете прекинувач за струјна заштита при технички проблеми.** Употребата на прекинувачот за струјна заштита при технички проблеми го намалува ризикот од електричен удар.
- ### 3) БЕЗБЕДНОСТ НА ЛУЃЕ
- Бидете внимателни, внимавајте што правите и постапувајте внимателно додена работите со електричниот алат. Не работете со уредот доколку сте уморни или под дејство на дрога, алкохол или лекови.** Еден момент на невнимание при употребата може да доведе до сеиозни повреди.
  - Носете ја личната заштитна опрема и секогаш носете заштитни очила.** Носењето на личната заштитна опрема, како што е маската за прашина, безбедносната облека која не се лизга, заштитен шлем или штитник за слух, зависно од видот и примената на електричниот алат, ја намалува опасноста од повреда.
  - Избегнувајте невнимателно вклучување за време на работата. Осигурајте се прекинувачот да биде во "OFF" позиција пред да го ставите штекерот во приклучокот.** Доколку го носите електричниот алат со прстот на прекинувачот или го приклучувате апаратот кој е приклучен со напојување на струја, може да предизвикате незгоди.
  - Пред вклучување на уредот, тргнете ги алатите за подесување или клучот за навртување. Алатот**

или клучот кој се наоѓа во вртливост дел на уредот, може да предизвика незгода.

- e) **Не ги преценувајте своите способности.** Завземете сигурен и стабилен став и во секој момент одржувајте рамнотежа. На тој начин можете подобро да го контролирате уредот во неочекувани ситуации.
  - f) **Носете соодветна облека. Не носете широка облека или накит.** Косата, облеката и ракавиците држете ги подалеку од деловите кои се движат. Комотната облека, накитот или долгата коса може да бидат фатени во деловите кои се движат.
  - g) **Доколку може да се монтираат направи за вшмукување и фаќање прашина, проверете дали се вклучени и дали можат исправно да се користат.** Примената на овие направи ја намалува опасноста од прашината.
- #### 4) ВНИМАТЕЛНА УПОТРЕБА И РАКУВАЊЕ СО ЕЛЕКТРИЧНИТЕ АЛАТИ
- a) **Не го преоптеретувајте уредот.** При вашата работа користете го предвидениот електричен алат за таа употреба. Со соодветниот електричен алат ќе работите подобро и посигурно во наведената функционална област.
  - b) **Не користете електричен алат чиј прекинувач е неисправен.** Електричниот алат кој повеќе не може да се вклучува и исклучува е опасен и мора да се поправи.
  - c) **Извлечете го штекерот од приклучокот пред извршување на било какви подесувања на апаратот, замена на приборот или складирање.** Со овие мерки на внимателност ќе се избегне невнимателното вклучување на уредот.
  - d) **Тргнете го електричниот алат кој не го користите од допирот на децата. Не допуштајте работа со уредот на лица кои не се запознаени со него или кои го немаат прочитано ова упатство.** Електричните алати се опасни доколку со нив работат неискусни лица.
  - e) **Одржувајте го уредот со внимание.** Имајте контрола околу тоа дали движечките делови на уредот работат беспрекорно и дали не се заглавени, дали деловите се скршени или оштетени до таа мерка што не може да се обезбеди функционирање на уредот. Пред примената, овие оштетени делови треба да се поправат. Причина за многу незгоди е лошо одржуваниот електричен алат.
  - f) **Алатите за сечење одржувајте ги остри и чисти.** Внимателно одржуваните алати за сечење со остри оттрици помалку ќе се заглавуваат и со нив работата ќе биде полесна.
  - g) **Електричниот алат, прибор, работни алати итн., треба да ги користите според овие упатства, и на начин кој е опишан за соодветниот тип на уред.** При тоа, земете ги предвид работните услови и работата која се извршува. Употребата на електричните алати за други цели кои не се предвидени, може да предизвика опасни ситуации.

#### 5) СЕРВИСИРАЊЕ

- a) **Поправката на Вашиот уред препуштете им ја само на обучен, стручен кадар на овластен сервисер, и само со оригиналните резервни делови.** На тој начин ќе се обезбеди уредот да остане со зачувана безбедност.

#### УПАТСТВА ЗА БЕЗБЕДНА РАБОТА СО ЦИРКУЛАРНА ПИЛА

##### 1) ПОСТАПКИ ЗА СЕЧЕЊЕ

- a) **⚠ ОПАСНОСТ: Држете ги рацете подалеку од другата рака на помошната рачка или на кукиштето за моторот.** Ако двете раце ја држат пилата, не може да бидат исечени со сечилото.
  - b) **Не посегнувајте под материјалот кој го обработувате.** Заштитниот механизам не може да ве штити од сечило под работниот простор.
  - c) **Длабочината на сечењето подесете ја на дебелината на работниот простор.** Под работниот простор треба да се гледа помалку од цел забец на сечилото.
  - d) **Никогаш не држете го парчето за работа во раце или преку нога.** Обезбедете стабилна површина за парчето за работа. Важно е да имате стабилна потпура во текот на работа за да се намали изложување на телото, контакт со сечивото или загуба на контролата.
  - e) **Фаќајте го електричниот апарат само за изолираните рачки, кога извршувате работи каде алатот за сечење може да дојде во контакт со инсталации или со сопствениот кабел.** Контактот со електрична инсталација исто така ги прави изложените метални делови на алатот наелектризирани и може да доведе до струен удар.
  - f) **При сечење, секогаш користете заштитна ограда или механизам за заштита на рамни рабови.** Така ќе ја подобрите прецизноста на сечењето и ќе го намалите ризикот од заглавување на сечилото.
  - g) **Секогаш користете сечила со соодветна големина и облик за отворите во вретеното (облик на дијамант или круг).** Сечилата кои не се соодветни со хардветор за поставување на пилата, неправилно ќе се вртат и ќе предизвикаат губење на контрола.
  - h) **Никогаш не користете оштетени или неисправни запчаници или резина за сечила.** Запчаниците и резината за сечила се посебно дизајнирани за вашата пила, заради оптимални перформанси и безбедност при ракување.
- ##### 2) ПРИЧИНИ ЗА ПОВРАТЕН УДАР И ПОВРЗАНИ ПРЕДУПРЕДУВАЊА
- Повратниот удар претставува изненадна реакција на пробивање, удар или лошо порамнето сечило на пилата, кој предизвикува неконтролирано мрдање на пилата од местото на работата и подигнување кон оној кој ракува со пилата
  - Кога сечилото ќе пробие или силно ќе удри за време на затворање на засекот, сечилото застанува и моторот забрзано ја води единицата кон оној кој ракува со апаратот

- Доколку сечилото се вовлече навнатре или не е порамнето со површината која се сече, запците на задниот раб на сечилото може да се забијат во горната површина на дрвото и да предизвикаат дигање на сечилото од засекот и отскокнување кон оној кој ракува со алатот
  - Повратниот удар произлегува како резултат од неправилно ракување и/или неправилни процедури при работата или услови, и може да се избегне со превземање на соодветни мерки на претпазливост кои се наведени во понатамошниот текст
- a) **Цврсто држете ја рачката на пилата, со две раце, и поставете ги рацете така што да можете да го издржите повратниот удар. Телото треба да се наоѓа од едната страна на сечилото, а не во линија со сечилото.** Повратниот удар може да предизвика пилата да отскокне назад, но силата на повратниот удар може да се контролира само доколку се превземаат правилните мерки на претпазливост.
  - b) **Нога сечилото ќе удри или доколку дојде до прекин на сечењето од било која причина, отпуштете го орозот и држете ја неподвижната пила во материјалот, се додека сечилото сосема не застане. Никогаш не се обидувајте да ја отстраните пилата од местото каде работите или да ја повлечете пилата наназад кога сечилото се движи или доаѓа до повратен удар.** Испитувајте и превземете определени акции за исправање, за да ги елиминирате причините за удар на сечилото. Избегнувајте сечење на клинци и штрафови.
  - c) **Нога повторно ќе ја стартувате пилата која се наоѓа на местото каде работите, центрирајте ја пилата во засекот и осигурајте се запците на пилата да не влегуваат во материјалот.** Доколку сечилото удира, може да дојде до отскокнување од местото каде се работи, или до повратен удар, кога пилата повторно се вклучува.
  - d) **Под големите плочи ставете потпора за да го намалите ризикот од пробивање на сечилото и повратен удар.** Големите плочи имаат тенденција да се виткаат под сопствената тежина. Потпората мора да се стави под плочата, од двете страни, близу до линијата на сечењето и близу работ на плочата.
  - e) **Не користете тапо или оштетено сечило.** Ненаоштрени или неправилно поставени сечила може да доведат до тесен засек и да предизвикаат прекумерно триење, удирање на сечилото или повратен удар.
  - f) **Рачните за заклучување на длабочината на сечењето и подесување на косината мора да бидат цврсти и обезбедени, пред почетокот на сечењето.** Доколку подесувањето за сечивото се промени за време на сечењето, може да дојде до удирање и до повратен удар.
  - g) **Обрнете особено внимание кога сечете со пилата во постојни ѕидови или други слепи области.** Сечилото што произлегува може да пресече објекти коишто предизвикуваат повратен удар.

### 3) ФУНКЦИЈА НА ДОЛНИОТ ЗАШТИТНИК

- a) **Пред сееое користење, проверете дали долниот заштитен механизам е правилно затворен. Не започнувајте со работа со пилата ако долниот заштитен дел не се движи слободно и не се затвора во моментот. Никогаш не ставајте спона или не поврзувајте го долниот заштитен механизам во отворена положба.** Доколку пилата ја испуштите случајно, долниот заштитен механизам мора да се свитка. Подигнете го долниот заштитен механизам со рачката за вовлекување и проверете дали слободно се движи и не го допира сечилото или било кој дел, под сите агли и во сите длабини на сечење.
- b) **Проверете ја пружината на долниот, заштитен механизам. Доколку заштитниот механизам и пружината не функционираат правилно, мора да се сервисираат пред користење.** Долниот заштитен механизам можеби ќе функционира споро заради оштетените делови, талогот од гума или зголемувањето на скршени парчиња.
- c) **Долниот заштитен механизам треба рачно да се вовлече само за посебни врсти на сечење, на пример за длабинско и сложено сечење.** Подигнете го долниот заштитен механизам со повлекување на рачката, и штом сечилото ќе го допре материјалот, долниот заштитен механизам мора да се опушти. За сите останати видови сечење долните заштитни механизми автоматски се придвижуваат.
- d) **Сеногаш проверете дали долниот заштитен механизам го покрива сечилото пред да ја спуштите пилата на клупата или подот.** Незаштитено сечило кое ротира може да предизвика пилата да се движи назад и да сече се што ќе и се најде на патот. Обратете внимание на времето кое е потребно сечилото да се сопре, по исклучување на прекинувачот.

### ДОПОЛНИТЕЛНИ БЕЗБЕДНОСТИ ПРЕДУПРЕДУВАЊА

#### ОПШТИ

- Овој алат не треба да го користат лица под 16 години
- Овој алат не е подесен за сечење во присуство на влага
- **Обезбедете се алатот да е исклучен од струја пред да вршите било какво подесување или замена на приборот**
- Никогаш не користете алат ако кабелот е оштетен; замената на кабелот мора да ја изврши стручно лице
- **Не обработувајте никаков материјал кој содржи азбест** (азбестот важи за предизвикувач на рак)
- Прашината од материјали како боја која содржи олово, некои видови дрво, минерали и метали, може да биде штетна за здравјето (контактот со прашина или нејзиното вдишување може да шредизвика алергии и/или болести на дишните органи за оној кој работи со алатот или луѓето во близина); **носете масна за прашина и работете со правосмуналки доколку можете да ги поврзете**
- Некои видови на прашина се канцерогени (како на пример прашина од даб или бука), особено заедно со адитиви за одржување на дрвото; **носете масна**

### за прашина и работете со правосмукалки доколку можете да ги поврзете

- Следете ги процедурите на вашата земја за прашина која се јавува како резултат од материјалите со кои работите
- Користете само работна маса која е опремена со прекинувач кој спречува повторно вртење на моторо по прекинон на напонот
- Користете само работна маса која е опремена со водилка за сечење

### ПРИБОР

- SKIL може да признае гаранција само доколку е користен оригинален прибор
- Користете само прибор чија дозволена брзина е во најмала рака еднаква на најголемата брзина при празен од на електричниот алат
- **Користете само сечива за пили со минимален дијаметар од 170 мм, со максимален дијаметар од 170 мм и отвор на ободот од 16 мм**
- никогаш не користете сечила за пили направени од брзоротирачки челик (HSS)
- Никогаш не користете дискови за оштрење/сечење со овој електричен алат

### ПРЕД УПОТРЕБА

- Секогаш проверувајте напонот да е ист со оној кој е назначен на плочката на алатот (алатите за напон од 230V или 240V исто така може да се поврзат и на напон од 220V)
- Избегнувајте оштетувања од штрафови, шајки и други предмети во местото каде работите; тргнете ги пред да почнете со работа
- Пред да почнете со сечење, отстранете ги сите пречки на и под местото каде сечете
- **Зацврстете го материјалот кој го обработувате** (обработка која е зацврстена со стеги или во менгема е побезбедна отколку да ја држите со раце)
- **Користете соодветни детектори за наоѓање на скриени инсталации или повинајте соодветна компанија за помош** (контактот со електричните линии може да доведе до струен удар; оштетувањата во гасоводна цевка може да резултира со експлозија; пенетрирање во водоводна инсталација може да доведе до оштета на предмети или електричен удар)
- Продолжениот кабел кој го користите, мора да биде сосема одмотан и безбеден, со капацитет од 16 A

### ВО ТЕКОТ НА УПОТРЕБАТА

- Нивото на бучава додека работите може да изнесува повеќе од 85 dB(A); носете заштита за ушите
- Никогаш не користете електричен алат без оригинален систем за заштита
- Не се обидувајте да сечете многу мали материјали
- Не работете со овој алат држејќи го над главата
- Во случај на атипично однесување или непознати звуци, веднаш исклучете го алатот и извлекете го штекерот од електричниот приклучок
- Ако кабелот се оштети или пресече за време на работата, веднаш исклучете го и не го допирајте

### ПО УПОТРЕБА

- Кога ќе ја завршите работата со алатот, исклучете го моторот и проверете дали сите подвижни делови се застанати

- По исклучувањето на циркуларната пила, никогаш немојте да го спирате вртењето на пилата со сила

## УПОТРЕБА

- Поставување на сечилото за пилата ③
  - ! **извлекете го приклучокот ако кабелот**
  - земете хексагоналан клуч А од складот В
  - притиснете го копчето за заклучување на вретеното С и држете го притиснато додека го отстранувате резот на сечилото D со помош на инбус
  - ! **копчето за заклучување на вретеното С притиснете го кога електричниот алат целосно ќе застане**
  - пуштете го копчето за заклучување на вретеното С
  - отстранете го штитникот Е
  - отворете го долниот заштитник F со рачката G и држете го додека го поставувате сечилото за пилата со запците и стрелката коишто се отпечатени на сечилото насочени во ист правец како и стрелката на горниот заштитник
  - олабавете го долниот заштитен механизам F
  - поставете штитник Е
- ! **проверете дали површините со спрегите H на штитникот се целосно чисти и свртете го сечилото**
  - притиснете го копчето за заклучување на вретеното С и држете го притиснато додека го прицврстувате резот на сечилото со помош на инбус за 1/8 вртења по што треба да затегнете со прстите (така се осигурува лизгањето на сечилото на пилата кога ќе дојде до прекумерен отпор и оптеретување на моторот и повратен удар на пилата)
  - пуштете го копчето за заклучување на вретеното С
- Подесување на длабочината на сечењето (0-55 мм) ④
  - заради оптимален квалитет на сечењето, сечилото на пилата не би требало да биде подолго од 3 мм под делот за работа
  - пуштете го копчето J
  - подигнете/спуштете го нивото K додека не ја подесите саканата длабочина за сечење, на скалата, со користење на индикаторот L
  - прицврстете го копчето J
- Подесување на аголот на сечење (0-45°) ⑤
  - пуштете го копчето M
  - налегнувајте го алатот додека не го подесите саканиот агол на сечење, со користење на индикаторот N
  - прицврстете го копчето M
- ! **при косо сечење, длабочината на сечењето не одговара на вредностите на прикажаната скала за длабочина на сечењето**
- Проверка на аголот за сечење од 90° ⑥
  - подесете и прицврстете го нивото K на максимална длабочина за сечење ④
  - подесете и прицврстете го аголот на сечење на 0°
  - проверете го аголот од 90° помеѓу двете сечила и дното на нивото, со помош на квадрат
  - ако е потребно прилагодување, разлабавете го регулаторот M и употребете шрафцигер за прилагодување P како што е прикажано на сликата

- Прилагодлив визир за линијата на пилата Q ⑥a
  - за водење на електричниот алат низ саканата линија означена на местото на работата
  - за рамно сечење под агол од 0° или косо сечење под агол од 45° користете ја линијата на индикаторот
- ! **широкиот дел на нивото би требало да стои а потпирачот на местото на кое се работи**
- може да се прилагодува за да ви се дозволи да изберете дали отпадниот материјал ќе биде од надворешната или внатрешната страна на сечивото ⑥b
- ! **ширичината на сечењето се определува со широчината на запците на сечилото, а не со широчината на сечилото**
- ! **сеногаш најпрво изведете пробно сечење за да ја проверите вистинската линија на сечењето**
- Вшмукување прашина
  - приклучете ја правосмукалката на продолжетокот R ⑦
- ! **никогаш не дозволувајте цревето на правосмукалката да дојде во допир со долниот заштитен механизам или со операцијата на сечење**
- може да се употребува и кеса за прашина (SKIL прибор 2610387402)
- ! **не користете кеса за прашина/правосмукалка кога сечете метал**
- Работа со алатот ⑦
  - вклучете го штекерот во извор на струја
  - со едната рака сеногаш држете ја рачката S цврсто, а со другата силно држете ја рачката T
  - поставете го електричниот алат со предниот крај на рамното ниво на местото каде работите
- ! **проверете запците на пилата да не се заканиени на местото каде се работи**
- вклучете го алатот така што прво притиснете го копчето V (= заштитно копче кое не може да се блокира), а потоа повлечете го прекинувачот W
- ! **електричниот алат би требало да се наоѓа во полна брзина пред сечилото да дојде во допир со местото каде се работи**
- долниот заштитен механизам F автоматски се отвара кога сечилото продира во местото каде се работи (рачно отворете го долниот заштитен механизам со помош на рачката G, само за посебни видови сечење, на пример за длабинско сечење)
- ! **не применувајте сила врз алатот** (применете лесен и континуиран притисок за да избегнете прегревање на врвовите на сечивата и во случај на сечење пластика, топење на пластичниот материјал)
- ! **додена работите, сеногаш држете го алатот за местото (местата) кое (кои) се означени со сива боја**
- по завршувањето на сечењето, исклучете го алатот со пуштање на орозот W
- ! **пред да го подигнете електричниот алат од местото каде се работи, проверете дали е дојдено до целосен прекин на работата на сечилото**

## СОВЕТИ ЗА ПРИМЕНА

- Кога користите шина за наведување (дополнителна опрема на SKIL 2610Z04064) во комбинација со адаптер, длабочината на пресекот може да се намали до 14 мм за пресеците под 90°, како и за оние под 45°
- Добрата страна на обработката секогаш вртете ја надолу, за да обезбедите минимално кршење на материјалот
- Користете само остри сечила, од соодветен вид ⑧
  - квалитетот на сечењето се подобрува со бројот на запците
  - сечилата со карбиден врв остануваат остри 30 пати подолго од обичните сечила
- Странична ограда Y ⑨
  - за правене на точни засеци низ работ на материјалот кој се обработува
  - може да се вметне на било која страна на нивото
- Подосување на страничната ограда
  - пуштете го копчето Z
  - прилагодете до саканата длабочина на сечење со употреба на паралелна скала за наведување (користете визир за линија на пилата Q со 0-референца)
  - прицврстете го копчето Z
- Длабинско сечење ⑩
  - подесете ја саканата длабочина за сечење
  - закосете го алатот со визирот за линијата на пилата Q порамнета со саканата линија на сечење на материјалот за обработка
  - отворете го долниот заштитен механизам F со помош на рачката G
  - непосредно пред сечилото да го допре материјалот кој се обработува, вклучете го електричниот алат и постепено спуштајте го задниот крај на алатот, со користење на предниот крај на нивото како показател
  - постепено движете го алатот надолу и напред
  - штом сечилото ќе допре во материјалот, пуштете ја рачката G
- ! **никогаш не турнајте го алатот нон назад**
- Сечење на големи плочи ⑪
  - поставете ја плочата близу сечењето на под, маса или работна маса
- ! **подесете ја длабочината на сечењето така што ќе сечете низ плочата, а не низ потпората**
- во случај страничната ограда да не ја овозможува саканата широчина за сечење, со спреча или со клинец закачете дрвен дел на местото каде се работи, како водилка, и користете ја десната страна на нивото со оваа водилка

## ОДРЖУВАЊЕ/СЕРВИСИРАЊЕ

- Овој алат не е наменет за професионална употреба
- Алатот и кабелот секогаш да се одржуваат чисти (особено отворите за ладење)
  - ! **пред чистење извадете го алатот од приклучокот**
- Секогаш одржувајте ја областа околу долниот штитник F ③ чиста (отстранете ги прашиката и

деланките со раздување со компримиран воздух или со четка)

- Сечилото на пилата исчистете го непосредно по користењето (особено од смола и лепак)
- Доколку алатот и покрај внимателното работење и контрола некогаш откаже, поправката мора да ја изврши некој овластен SKIL сервис за електрични алати
  - во случај на примедба, испратете го алатот **нерасклопен**, заедно со сметкопотврдата, до вашиот продавач или најблискиот SKIL сервис (адресите се наведени на [www.skil.com](http://www.skil.com))


## ЗАШТИТА НА ЖИВОТНАТА СРЕДИНА

- **Не се ослободувајте од електрични алати, уреди или амбалажа преку нивно фрлање во домашното губре** (само за земјите на ЕУ)
  - според Европската Директива 2012/19/ЕС за ослободување од електрична и електронска опрема и нејзина имплементација во согласност со националните закони, електричните алати кои го достигнале крајот на својот животен век мора да бидат собрани посебно и да бидат вратени во соодветен објект за рециклирање
  - симболот  ќе ве потсетува на ова кога ќе дојде време алатот да го фрлите

## ДЕКЛАРАЦИЈА ЗА УСОГЛАСЕНОСТ

CE

Циркуларна пила 5665/5765

Технички податоци 

- Со целосна одговорност изјавуваме дека производот опишан кај "Технички податоци" е усогласен со следните стандарди или документи за стандардизација: EN 60745, EN 61000, EN 55014 во согласност со одредбите во директивите 2014/30/EU, 2006/42/EG, 2011/65/EU
- **Техничко досие во:** SKIL Europe BV (PT-SEU/ENG1), 4825 BD Breda, NL

Marijn van der Hoofden  
Operations & Engineering

Olaf Dijkgraaf  
Approval Manager

SKIL Europe BV, 4825 BD Breda, NL

16.10.2014

### БУЧАВА/ВИБРАЦИИ

- Мерено во согласност со EN 60745 нивото на звучен притисок е 97 dB(A) а нивото на звучна моќност 108 dB(A) (стандардно отстапување: 3 dB), и вибрација \*  $m/c^2$  (векторски збир на трите показатели; несигурност  $K = 1.5 m/c^2$ )
  - \* кога сечете дрво 2,6  $m/s^2$
  - \* кога сечете метал 2,2  $m/s^2$
- Нивото на емитурање на вибрации кое е наведено на задниот дел на ова упатство е измерено во согласност со стандардизираниот тест даден во EN

60745; може да се користи за да се спореди еден алат со друг, и како првична оценка за изложеноста на вибрации кога се користи алатот за спомнатите примени


- користењето на алатот за разни примени, или со различни или неправилно чувани делови, може да доведе до значајно **зголемување** на нивото на изложеност
  - кога алатот е исклучен или кога алатот е вклучен но не врши некаква работа, може да дојде до значително **намалување** на нивото а изложеност
- ! заштитете се од ефектите на вибрациите преку одржување на алатот и неговите делови, одржување на топлината во вашите раце, и организирање на вашата работа**

AL

Sharra rrethore

5665/5765

## HYRJE

- Kjo pajisje është e projektuar për prerje gjatësore dhe kryq në dru me prerje të drjta si dhe prerje këndore deri në 45°; me lamat e përshtatshme të sharrës mund të priten edhe metale jo ferore, materiale të lehta ndërtimi dhe plastikë
- Kjo vegël nuk është e projektuar për përdorim profesional
- Lexoni dhe ruani këtë manual të përdorimit 

## TË DHËNAT TEKNIKE

## SIGURIA

### UDHËZIMET E PËRGJITHSHME PËR SIGURINË

**PARALAJMËRIM! Lexoni të gjitha paralajmërimet e sigurisë dhe të gjitha udhëzimet.** Mosrespektimi i paralajmërimiëve dhe udhëzimeve mund të rezultojë në goditje elektrike, zjarr dhe/ose dëmtime të rënda. **Ruani të gjitha paralajmërimet dhe udhëzimet për referencë në të ardhmen.** Termi "pajisje elektrike" në paralajmërimi e referohet pajisjes elektrike që përdoret nga priza (me kablo) ose pajisjes elektrike me bateri (pa kablo).

### 1) SIGURIA E ZONËS SË PUNËS

- a) **Mbajeni zonën e punës të pastër dhe të ndriçuar mirë.** Zonat e çrregullta ose të errëta janë një ftesë për aksidente.
- b) **Mos i përdorni pajisjet elektrike në situata me mundësi shpërthimi, si në prani të lëngjeve, gazeve ose pluhurave të djegshëm.** Pajisjet elektrike shkaktojnë shkëndija që mund të ndezin pluhurat ose avujt.
- c) **Mbajni fëmijët dhe personat e tjerë larg gjatë përdorimit të veglës së punës.** Tërheqja e vëmendjes mund të shkaktojë humbjen e kontrollit.

### 2) SIGURIA ELEKTRIKE

- a) **Spinat e veglës së punës duhet të përputhen me prizën. Mos modifikoni kurrë spinën në asnjë mënyrë. Mos përdorni asnjë spinë përshtatëse me veglat e punës me tokëzim.** Spinat e pamodifikuara



dhe prizat përshtatëse do të zvogëlojnë rrezikun e goditjes elektrike.

- b) **Shmangni kontaktin trupor me sipërfaqe të tokëzuar** si tuba, radiatorë, soba dhe frigoriferë. Ka një rrezik më të madh të goditjes elektrike nëse trupi është i tokëzuar.
- c) **Mos ekspozoni veglat e punës në shi ose në kushte me lagështi.** Uji që hyn në veglën e punës do të ritë rrezikun e goditjes elektrike.
- d) **Mos abuzoni me kordonin. Mos e përdorni kurrë kordonin për transportin, tërheqjen ose heqjen e spinës së veglës së punës.** Mbajeni kordonin larg nga nxehtësia, vaji, anët e mprehta ose pjesët që lëvizin. Kordonët e dëmtuar ose e bllokuar rrisin rrezikun e goditjes elektrike.
- e) **Kur përdorni një vegël pune në mjedise të jashtme, përdorni një kordon zgjatues të përshtatshëm për përdorim në mjedise të jashtme.** Përdorimi i një kordoni të përshtatshëm për përdorime në mjedise të jashtme zvogëlon rrezikun e goditjes elektrike.
- f) **Nëse përdorimi i veglës së punës në një vend me lagështi është i pashmangshëm, përdorni një automat qarku me shkarkesë me tokëzim.** Përdorimi i një automati me shkarkesë me tokëzim zvogëlon rrezikun e goditjes elektrike.

### 3) SIGURIA PERSONALE

- a) **Qëndroni në gatishmëri, shikoni se çfarë po bëni dhe përdorni gjykimin kur përdorni një vegël pune.** Mos e përdorni një vegël pune kur jeni i lodhur ose nën ndikimin e ilaçeve, alkoolit ose mjekimit. Një moment humbjeje e vëmendjes gjatë përdorimit të veglave të punës mund të shkaktojë dëmtime të rënda personale.
- b) **Përdorni pajisje personale mbrojtëse. Mbani gjithmonë pajisje për mbrojtjen e syve.** Pajisjet mbrojtëse si maska kundër pluhurit, këpucët që nuk rëshqasin, kaskat ose pajisjet për mbrojtjen e veshëve për kushtet përkatëse do të zvogëlojnë dëmtimet personale.
- c) **Parandaloni ndezjen e rastësishme. Sigurohuni që çelësi është në pozicionin fikur para se të lidhni burimin e energjisë dhe/ose baterinë, para se të merrni ose të transportoni pajisjen.** Transportimi i veglave të punës me gishtin në çelës ose aktivizimi i veglave të punës që kanë çelësin të ndezur është një ftesë për aksidente.
- d) **Hiqni çdo çelës ose çelës përshtatës para ndezjes së veglës së punës.** Një çelës i lënë i lidhur me një pjesë rrotulluese të veglës së punës mund të shkaktojë dëmtime personale.
- e) **Mos u zgjasni. Mbani një vendosje të mirë të këmbëve dhe një ekuilibër të mirë në çdo moment.** Kjo gjë bën të mundur një kontroll më të mirë të veglës së punës në situata të papritura.
- f) **Vishuni në mënyrën e duhur. Mos vishni veshje të gjera ose bizhuteri. Mbani flokët, veshjet dhe dorashkat larg nga pjesët lëvizëse.** Veshjet e gjera, bizhuteritë ose flokët e gjatë mund të kapen nga pjesët në lëvizje.
- g) **Nëse janë ofruar pajisje për lidhjen e pajisjeve të mblidhjes dhe nxjerrjes së pluhurave, sigurohuni që ato të jenë të lidhura dhe të përdoren si duhet.**

Përdorimi i mblidhjes së pluhurave mund të zvogëlojë rrezikun në lidhje me pluhurat.

### 4) PËRDORIMI DHE KUJDESI PËR VEGLËN E PUNËS

- a) **Mos ushtroni forcë mbi veglën e punës. Përdorni veglën e punës të duhur për përdorimin tuaj.** Vegla e punës e duhur do të realizojë një punë më të mirë dhe më të sigurt dhe me shpejtësinë që ajo është e projektuar.
- b) **Mos përdorni veglën e punës nëse çelësi nuk e ndez apo e fik.** Çdo vegël pune që nuk mund të kontrollohet me anë të çelësit është e rrezikshme dhe duhet të riparohet.
- c) **Shkëputni spinën nga burimi i energjisë dhe/ose baterinë nga vegla e punës para se të bëni rregullime të tjera, të ndryshoni aksesorët ose të ruani veglat e punës.** Këto masa parandaluese të sigurisë ulin rrezikun e ndezjes aksidentale të veglës së punës.
- d) **Mbani veglat e punës larg fëmijëve dhe mos lejoni personat e pamësuar me veglën e punës ose këto udhëzime për përdorimin e pajisjes.** Veglat e punës janë të rrezikshme në duart e përdoruesve të patrajnuar.
- e) **Mirëmbani veglat e punës. Kontrolloni për mospërshtatje ose bllokim të pjesëve lëvizëse, thyerje të pjesëve dhe gjendje të tjera që mund të ndikojnë në funksionimin e veglës së punës.** Nëse dëmtohet, riparoheni veglën e punës para përdorimit. Shumë aksidente shkaktohen nga veglat e punës jo të mirëmbajtura si duhet.
- f) **Mbajni pajisjet prerëse të pastra dhe të mprehta.** Pajisjet e prerjes të mirëmbajtura dhe me anë të mprehta kanë më pak mundësi për t'u bllokuar dhe janë më të lehta për t'u kontrolluar.
- g) **Përdorni veglat e punës, aksesorët dhe puntot, etj. në përputhje me këto udhëzime, duke marrë parasysh kushtet e punës dhe punën që do të kryhet.** Përdorimi i veglave për përdorime të ndryshme nga ato të përcaktuara mund të shkaktojë rreziqe.

### 5) SHËRBIMI

a) **Shërbimi i veglës së punës duhet të kryhet nga një person i kualifikuar për riparimet duke përdorur vetëm pjesë ndërrimi identike.** Kjo gjë do të sigurojë ruajtjen e sigurisë së veglave të punës.

### PARALAJMËRIMET E SIGURISË PËR SHARRAT RRETHORE

#### 1) PROCEDURAT E PRERJES

- a) **RREZIK:** Mbajni duart larg nga zona e prerjes dhe lama. Mbani dorën tjetër në dorezën ndihmëse ose në trupin e motorit. Nëse të dy duart mbajnë sharrën, ato nuk mund të priten nga lama.
- b) **Mos u zgjasni poshtë materialit të punës.** Mbrojtësja nuk mund t'ju mbrojë nga lama poshtë materialit të punës.
- c) **Rregulloni thellësinë e prerjes sipas trashësisë së materialit të punës.** Poshtë materialit të punës duhet të duket më pak se një dhëmb i plotë i lamës.
- d) **Mos e mbani kurrë materialin e prerjes në duar ose në mes të këmbëve.** Sigurohuni materialin e punës në një platformë të qëndrueshme. Është e rëndësishme që ta mbështesni materialin si duhet për të

- minimizuar ekspozimin e trupit, bllokimin e lamës ose humbjen e kontrollit.
- e) **Mabajni veglën e punës nga sipërfaqet e izoluar të kapjes, kur kryeni një veprim ku pajisja e prerjes mund të bjerë në kontakt me tela të fshehur ose kordonin e saj.** Kontakti me një tel elektrik do të bëjë që pjesët metalike të ekspozuara të veglës së punës të përcjellin energjinë elektrike dhe të shkaktojnë goditjen e operatorit.
  - f) **Gjatë prerjes, përdorni gjithmonë një tregues paralel ose një tregues anësor të drejtë.** Kjo gjë përmirëson saktësinë e prerjes dhe zvogëlon mundësinë e bllokimit të lamës.
  - g) **Përdorni gjithmonë lama me madhësinë e duhur dhe formën (diamant dhe jo të rumbullakëta) e vrimave të boshtit rrotullues.** Lamat që nuk përputhen me pajisjen montuese të sharrës do të punojnë në mënyrë josismetrike me qendrën, duke shkakuar humbje të kontrollit.
  - h) **Mos përdorni kurrë rondele ose bulona të dëmtuar ose të pasaktë të lamës.** Rondelet dhe buloni i lamës janë projektuar posaçërisht për sharrën tuaj, për rendiment optimal dhe siguri në përdorim.
- 2) SHKAQET E GODITJES SË KTHIMIT DHE PARALAJMËRIMET PËRKATËSE**
- Goditja e kthimit është një reagim i papritur i një lame të shtrënguar, të bllokuar ose jo të ekuilibruar të sharrës, që shkakton një sharrë të pakontrolluar që të ngrihet dhe të dalë nga materiali i punës në drejtim të operatorit;
  - Kur lama është e shtrënguar ose e bllokuar fort nga gjerësia e prerjes, lama ndalon dhe reagimi i motorit e drejton njësinë në shpejtësi në drejtim të operatorit
  - Nëse lama ngatërrohet ose është e paekuilibruar në prerjen përkatëse, dhëmbët në anën e pasme të lamës mund të ngulen në sipërfaqen e sipërme të drurit duke bërë që lama të dalë nga gjerësia e prerjes dhe të kërcejë në drejtim të operatorit
  - Goditja e kthimit është rezultat i keqpërdorimit të veglës dhe/ose procedurave ose kushteve të papërshtatshme të funksionimit dhe mund të shmanget duke ndërmarrë masat paraprake të duhura si më poshtë.
- a) **Shtrëngojeni fort me të dy duart mbi sharrë dhe poziciononi krahët për të përballuar forcat e goditjes së kthimit. Poziciononi trupin tuaj në njërën anë të lamës, por jo në një vijë me lamën.** Goditja e kthimit mund të bëjë që sharra të kërcejë prapa por forcat e goditjes së kthimit mund të kontrollohen nga operatori nëse merren masat paraprake të duhura.
  - b) **Kur lama është e bllokuar ose kur ndërprisni prerjen për një arsye, lëshoni çelësin dhe mbajeni sharrën pa lëvizur brenda materialit deri sa lama të ndalojë plotësisht. Mos u përipiqi kurrë që të hiqni sharrën nga materiali ose të tërhiqni sharrën prapa kur lama është në lëvizje pasi mund të sjellë një goditje të kthimit.** Kontrolloni dhe kryeni veprime korrigjuese për të eliminuar shkakun e bllokimit të lamës. Shmangni prerjen e gozhdëve ose të vidave.
  - c) **Kur rifilloni punën me sharrë në një material, vendosni lamën e sharrës në qendër të gjerësisë së prerjes dhe kontrolloni që dhëmbët e sharrës të mos jenë aktiv në material.** Nëse lama e sharrës është
- e bllokuar, ajo mund të dalë ose të kthehet prapa nga materiali kur rifilloni punën me sharrën.
- d) **Mbështesni panelet e mëdha për të minimizuar rrezikun e shtrëngimit ose goditjes së kthimit të lamës.** Panellet e mëdha kanë tendencën të epen nën peshën e tyre. Mbështetëset duhet të vendosen poshtë panelit në të dy krahët në afërsi të vijës së prerjes pranë anës së panelit.
  - e) **Mos përdorni lama jo të mprehta ose të dëmtuara.** Lamat jo të mprehta ose të vendosura jo mirë krijojnë një gjerësi të ngushtë të prerjes dhe shkaktojnë fërkim të tepërt, bllokim të lamës dhe goditje të kthimit.
  - f) **Levat bllokuese rregulluese të pjerrësisë dhe thellësisë së lamës duhet të jenë të shtrëngura dhe të sigurta para kryerjes së prerjes.** Nëse rregullimi i lamës lëviz gjatë prerjes, ai mund të shkaktojë bllokim ose goditje të kthimit.
  - g) **Kini shumë kujdes kur sharroni në mure ekzistuese ose zona të tjera të panjohura.** Lama e futur mund të presë objekte që mund të shkaktojnë goditje të kthimit.
- 3) FUNKSIONI I MBROJTËSES SË POSHTME**
- a) **Kontrolloni mbrojtësen e poshtme për mbyllje të përshtatshme para çdo përdorimi. Mos e përdorni sharrën nëse mbrojtësja e poshtme nuk lëviz lirish dhe nuk mbyllet menjëherë. Mos e shtrëngoni apo lidhni asnjëherë mbrojtësen e poshtme në pozicionin e hapur.** Nëse sharra bie aksidentalisht, mbrojtësja e poshtme mund të përkulet. Hiqni spinën, ngrini mbrojtësen e poshtme me dorezën e tërheqjes dhe sigurohuni që lëviz lirish dhe nuk prek me lamën ose pjesë të tjera, në të gjitha këndet dhe thellësitë e prerjes.
  - b) **Kontrolloni funksionimin e sustës së mbrojtëses së poshtme. Nëse mbrojtësja dhe susta nuk funksionojnë si duhet, ato duhet të riparohen para përdorimit.** Mbrojtësja e poshtme mund të punojë ngadalë për shkak të pjesëve të dëmtuara, depozitave ngjitëse ose grumbullimit të copëve.
  - c) **Mbrojtësja e poshtme duhet të tërhiqet në mënyrë manuale vetëm për prerje të veçanta si prerje me zhytje dhe prerje të kombinuara. Ngrini mbrojtësen e poshtme me anë të dorezës së tërheqjes dhe kur lama të hyjë në material, mbrojtësja e poshtme duhet të lëshohet.** Për të gjitha sharrimet e tjera, mbrojtësja e poshtme duhet të funksionojë automatikisht.
  - d) **Shikoni gjithmonë që mbrojtësja e poshtme të mbulojë lamën para vendosjes së sharrës mbi trezëz ose dysheme.** Lama e pambrujtur në lëvizje do të bëjë që sharra të ecë prapa duke prerë çdo gjë në rrugën e saj. Kini parasysh kohën që i duhet lamës për të ndaluar pasi lëshohet çelësi.

## PARALAJMËRIMET SHITESË PËR SIGURINË

### TË PËRGJITHSHME

- Kjo pajisje nuk duhet të përdoret nga personat nën moshën 16 vjeç
- Kjo vegël nuk është e përshtatshme për prerje në lagështi
- Shkëputni gjithmonë spinën nga burimi i energjisë para kryerjes së rregullimeve ose ndryshimeve të aksesorëve
- Mos e përdorni kurrë veglën kur kordoni është i dëmtuar; zëvendësojeni nga një person i kualifikuar

- **Mos punoni me materiale që përmbajnë asbest** (asbesti konsiderohet kancerogjen)
- Pluhurat nga materialet si boja me plumb, disa lloje drurësh, minerales dhe metalesh mund të jenë të dëmshme (kontakti ose thithja e pluhurave mund të shkaktojë reagime alergjike dhe/ose sëmundje respiratore për përdoruesin ose personat përreth); **mbani një maskë për pluhurat dhe punoni me një pajisje për heqjen e pluhurave kur mund të lidhet**
- Disa lloje pluhurash skanë klasifikuar si kancerogjene (si pluhuri i lisit dhe i ahut) veçanërisht në ndërthurje me lëndët shtesë për kondicionimin e drurit; **mbani një maskë për pluhurat dhe punoni me një pajisje për heqjen e pluhurave kur mund të lidhet**
- Respektoni kërkesat kombëtare në lidhje me pluhurat për materialet me të cilat dëshironi të punoni
- Përdorni vetëm një bango të sharrës me një çelës që parandalon rindezjen e motorit pas ndërprerjes së voltazhit
- Përdorni vetëm një bango të sharrës me një tregues të gjerësisë së prerjes

#### AKSESORËT

- SKIL mund të garantojë funksionimin pa probleme të veglës vetëm kur përdoren aksesorët origjinalë
- Përdorni vetëm aksesorë me një shpejtësi të lejuar që përshtatet të paktën me shpejtësinë më të lartë pa ngarkesë të pajisjes
- **Përdorni vetëm thikat e sharrës me një diametër minimal prej 170 mm, një diametër maksimal prej 184 mm dhe një vrimë aksi prej 16 mm**
- Mos përdorni kurrë lama të sharrës të bëra me çelik të shpejtë (HSS)
- Mos përdorni kurrë disqe mprehës/prerës me këtë vegël

#### PARA PËRDORIMIT

- Kontrolli gjithmonë që voltazhi i energjisë të jetë i njëjtë si voltazhi që tregohet në etiketën e veglës (veglat me klasifikimin 230 V ose 240 V mund të lidhen po ashtu me një burim 220 V)
- Shmangni dëmtimet që mund të shkaktohen nga vidat, gozhdët dhe elementet e tjera në materialin e punës; hiqni ato para se të filloni punën
- Hiqni të gjitha pengesat mbi si dhe poshtë në rrugën e prerjes para se të filloni prerjen
- **Siguroni materialin e punës** (një material i shtrënguar me një pajisje shtrëngimi ose morsë mbahet në mënyrë më të sigurt se sa me dorë)
- **Përdorni detektorë përkatës për të gjetur linjat e fshehura të shërbimit ose telefononi kompaninë lokale të shërbimeve për ndihmë** (kontakti me linjat elektrike mund të shkaktojë zjarr ose goditje elektrike; dëmtimi i një linje gazi mund të shkaktojë një shpërthim; shpimi i një tubi uji do të shkaktojë dëmtim të pronës ose një goditje elektrike)
- Përdorni kordonë të pahapur dhe të sigurt për zgjatime, me një kapacitet 16 amper

#### GSJATË PËRDORIMIT

- Niveli i zhurmës gjatë punës mund të kalojë 85 dB(A); mbani mbrojtëse për veshët
- Mos e përdorni kurrë pajisjen pa sistemin origjinal mbrojtës
- Mos u përpiqni të prisni materiale shumë të vogla
- Mos punoni me veglën mbi kokën tuaj

- Në rast bllokimi ose defekti elektrik ose mekanik, fikeni menjëherë veglën dhe hiqni spinën
- Nëse kordoni dëmtohet ose pritet gjatë punës, mos e prekni kordonin por hiqni menjëherë spinën

#### PAS PËRDORIMIT

- Kur ta largoni pajisjen, fikeni motorin dhe sigurohuni që të gjitha pjesët lëvizëse të kenë ndluar plotësisht
- Pas fikjes së sharrës rrethore, mos e ndaloni kurrë rrotullimin e lamës së sharrës duke ushtruar një forcë anësore

#### PËRDORIMI

- Montimi i lamës së sharrës ③
  - ! **hiqni spinën**
  - merrni çelësin heksagonal A nga vendi i mbajtjes B
  - shtypni butonin e bllokimit të boshtit rrotullues C dhe mbajeni kur të hiqni bulonin e lamës D me çelësin heksagonal
  - ! **shtypni butonin e bllokimit të boshtit rrotullues C vetëm kur vegla të jetë e palëvizshme**
  - lëshoni butonin e bllokimit të boshtit rrotullues C
  - hiqni flanaxhën E
  - hapni mbrojtësen e poshtme F me levën G dhe mbajeni ndërsa montoni lamën e sharrës me dhëmbëzat dhe shigjetën e printuar mbi lamë në të njëjtin drejtim si shigjeta në mbrojtësen e sipërme
  - lëshoni mbrojtësen e poshtme F
  - montoni flanaxhën E
  - ! **sigurohuni që sipërfaqet shtrënguese H të fillanxhave janë plotësisht të pastra dhe janë përballë lamës**
  - shtypni butonin e bllokimit të boshtit rrotullues C dhe mbajeni ndërsa shtrëngoni bulonin e lamës me çelësin heksagonal 1/8 rrotullim pas shtrëngimit me dorë (siguron rrëshqitjen e lamës së sharrës kur ndesh rezistencë të madhe duke zvogëluar mbingarkesën e motorit dhe goditjen e kthimit të sharrës)
  - lëshoni butonin e bllokimit të boshtit rrotullues C
- Rregullimi i thellësisë së prerjes (0-65 mm) ④
  - për një prerje me cilësi optimale, lama e sharrës nuk duhet të zgjatet më shumë se 3 mm poshtë materialit të punës
  - lironi çelësin J
  - ngrini/ulni këmbëzën K deri sa të caktohet thellësia e dëshiruar e prerjes në shkallë me anë të treguesit L
  - shtrëngoni çelësin J
- Rregullimi i këndit të prerjes (0-45°) ⑤
  - lironi çelësin M
  - anoni veglën deri sa të caktohet këndi i dëshiruar i prerjes në shkallë me anë të treguesit N
  - shtrëngoni çelësin M
  - ! **për prerje të pjerrëta, thellësia e prerjes nuk përputhet me vlerën në shkallën e thellësisë së prerjes**
- Kontrolli i këndit të prerjes 90° ⑤
  - rregulloni dhe shtrëngoni këmbëzën K në maksimumin e thellësisë së prerjes ④
  - rregulloni dhe shtrëngoni këndin e prerjes në 0°
  - kontrolloni për një kënd 90° midis lamës dhe fundit të këmbëzës me një kator
  - nëse ka nevojë për rregullime, lironi çelësin M dhe përdorni vidën përshatëse P si në ilustrim

- Streha e rregullueshme e linjës së sharrës Q ⑥a
  - për drejtimin e veglës në vijën e dëshiruar të prerjes të shënuar në materialin e punës
  - për një prerje të drejtë 0° ose të pjerrët 45° përdorni vijën e treguesit përkatës
- ! **pjesa e gjerë e këmbëzës duhet të qëndrojë në pjesën e mbështetur të materialit**
- mund të rregullohet që t'ju lejojë të zgjidhni nëse materialet e mbetjeve do të jenë në anën e brendshme ose të jashtme të thikës ⑥b
- ! **gjerësia e prerjes përcaktohet nga gjerësia e dhëmbëzave të lamës dhe jo nga gjerësia e trupit të lamës**
- ! **bëni gjithmonë prerje provë në fillim për të verifikuar vijën aktuale të prerjes**
- Thithja e pluhurave
  - lidhni fshesën me korrent në pjesën e zgjatimit R ⑦
- ! **mos lejoni kurrë që tubi i fshesës me korrent të ndërhyjë në mbrojtësen e poshtme ose gjatë veprimt të prerjes**
- ju mund të përdorni edhe një qese për pluhurat (aksesori 2610387402 nga SKIL)
- ! **mos përdorni një qese pluhurash/fshesë me korrent kur prisni metale**
- Funksionimi i veglës ⑦
  - lidhni spinën me burimin e energjisë
  - mbajeni gjithmonë fort dorezën S me një dorë dhe dorezën T me dorën tjetër
  - vendoseni veglën me pjesën e përparme të këmbëzës rrafsh me materialin e punës
- ! **sigurohuni që dhëmbëzat e sharrës të mos jenë në kontakt me materialin e punës**
- ndizni veglën duke shtypur në fillim çelësin V (= çelësin e sigurisë që nuk mund të bllokohet) dhe më pas tërhiqni çelësin e aktivizimit W
- ! **vegla duhet të arrijë shpejtësinë e plotë para të lama të hyjë në materialin e punës**
- mbrojtësja e poshtme F hapet automatikisht kur lama e sharrës hyn në materialin e punës (hapni mbrojtësen e poshtme në mënyrë manuale duke përdorur levën G vetëm për prerje të veçanta si prerje me zhytje)
- ! **mos e sforconi pajisjen** (ushtroji trysni të lehtë dhe në vazhdim për të shmangur mbinxehjen e majave të thikave dhe, në rast të prerjes së plastikës, shkriren e materialit plastik)
- ! **gjatë punës, mbajeni gjithmonë veglën në zonën(at) e dorezës me ngjyrë gri**
- pasi të përfundoni prerjen, fikeni veglën duke lëshuar çelësin W
- ! **sigurohuni që lama të ketë ndaluar plotësisht para se ta hiqni veglën nga materiali i punës**

## KËSHILLË PËR PËRDORIMIN

- Kur të përdorni shufrën e drejtimit (aksesori 2610Z04064 nga SKIL) në kombinim me përshtatësin, thellësia e prerjes do të ulet me 14 mm për prerjet 90° si dhe për ato 45°
- Vendoseni gjithmonë poshtë anën më të mirë të materialit për të siguruar krijimin minimal të ashklave
- Përdorni vetëm lama të mprehta si dhe të llojit të duhur ⑧
  - cilësia e prerjes rritet sipas numrit të dhëmbëzave
  - lamat me maja karbidi qëndrojnë të mprehta deri 30 herë më shumë se sa lamat e zakonshme

- Treguesi paralel Y ⑨
  - për kryerjen e prerjeve të sakta përgjatë anës së materialit
  - mund të futet në secilën nga anët e këmbës
- Rregulimi i treguesit paralel
  - lironi çelësin Z
  - rregulloni gjerësinë e dëshiruar të prerjes duke përdorur shkallën e treguesit paralel (përdorni maskën e vijës së sharrës Q si 0-referencë)
  - shtrëngoni çelësin Z
- Prejra me zhytje ⑩
  - caktoni thellësinë e dëshiruar të prerjes
  - anoni veglën përpara me maskën e vijës së sharrës Q të përshtatur me vijën e dëshiruar të prerjes shënuar mbi material
  - hapni mbrojtësen e poshtme F me levën G
  - menjëherë para se lama të futet në material, ndizni veglën dhe ulni gradualisht pjesën e poshtme prapa të veglës duke përdorur fundin e këmbëzës si pikën menteshë
  - lëvizni veglën gradualisht poshtë si dhe përpara - sapo lama të futet në material, lëshoni levën G
- ! **mos e tërhiqni kurrë veglën prapa**
- Prejra e paneleve të mëdhenj ⑪
  - mbështeteni panelin afër prerjes mbi dysheme, tavolinë ose bango
- ! **caktoni thellësinë e prerjes në mënyrë që të prisni panelin por jo pjesën mbështetëse**
- në rast se treguesi paralel nuk e lejon gjerësinë e dëshiruar të prerjes, shtrëngoni ose kapni me gozhdë në material një copë të drejtë druri si tregues dhe përdorni anën e djathtë të këmbëzës mbështetur në këtë tregues


## MIRËMBAJTJA / SHËRBIMI

- Kjo vegël nuk është e projektuar për përdorim profesional
- Mbajeni gjithmonë veglën dhe kordonin të pastër (veçanërisht të çarat e ajrosjes)
- ! **shkëputni spinën para pastrimit**
- Mbajeni gjithmonë zonën rreth mbrojtësës së poshtme F ③ të pastër (hiqni pluhurin dhe ashklat duke i fryrë me ajër të ngjeshur ose me një fuçë)
- Pastroni lamën e sharrës menjëherë pas përdorimit (veçanërisht nga ngjytësi me përzierje apo i thjeshtë)
- Nëse pajisja ka defekt pavarësisht kujdesit në prodhim dhe procedurat e provave, riparimi duhet të kryhet nga një qendër e shërbimit pas shitjes për veglat e punës të SKIL
  - dërgoni veglën të çmontuar së bashku me vërtetimin e blerjes të shitësit ose të qendra më e afër e shërbimit e SKIL (adresat si dhe diagrami i shërbimit i veglës janë të paraqitura në [www.skil.com](http://www.skil.com))

## MJEDISI


- **Mos i hidhni veglat elektrike, aksesorët dhe paketimin së bashku me materialet e mbeturinave familjare** (vetëm për vendet e BE-së)
  - në respektim të Direktivës evropiane 2012/19/EC për pajisjet elektrike dhe elektronike si mbetje dhe zbatimin e saj në përputhje me ligjet kombëtare,

pajisjet elektrike që kanë arritur në fund të jetëgjatësisë së tyre duhet të mblidhen të ndara dhe të kthehen në një objekt riciklimi në përputhje me mjedisin.

- simboli  do t'ju kujtojë për këtë gjë kur të jetë nevoja për t'i hedhur

## DEKLARATA E KONFORMITETIT CE

**Sharra rrethore 5665/5765**

**Të dhënat teknike** 

- Ne deklarojmë me përgjegjësinë tonë të vetme se ky produkt i përshkruar në "Të dhënat teknike" është në përputhje me standardet ose dokumentet e standardizimit si më poshtë: EN 60745, EN 61000, EN 55014 në përputhje me dispozitat e direktivave 2014/30/EU, 2006/42/EC, 2011/65/EU
- **Dosja teknike në:** SKIL Europe BV (PT-SEU/ENG1), 4825 BD Breda, Holandë

Marijn van der Hoofden  
Operations & Engineering

Olaf Dijkgraaf  
Approval Manager

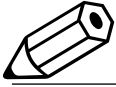


SKIL Europe BV, 4825 BD Breda, NL

16.10.2014

### ZHURMA/VIBRIMI

- E matur në përputhje me EN 60745, niveli i trysnisë së tingullit i kësaj pajisje është 97 dB(A) dhe niveli i fuqisë së tingullit 108 dB(A) (shmangia standarde: 3 dB) dhe vibrimi \*  $m/s^2$  (shuma vektor i tre drejtime; pasiguria K = 1,5  $m/s^2$ )
    - \* kur prisni dru 2,6  $m/s^2$
    - \* kur prisni metal 2,2  $m/s^2$
  - Niveli i emetimit të vibrimit është matur në përputhje me një provë të standardizuar të dhënë në EN 60745; ajo mund të përdoret për të krahasuar një vegël me një tjetër dhe si një vlerësim paraprak i ekspozimit ndaj vibrimit kur përdorni pajisjen për proceset e përmendura
    - përdorimi i pajisjes për procese të ndryshme, ose me aksesorë të ndryshëm dhe të mirëmbajtur keq, mund të rritë ndjeshëm nivelin e ekspozimit
    - kohët kur pajisja është e fikur dhe kur është e ndezur por jo në punë, mund të zvogëlojnë ndjeshëm nivelin e ekspozimit
- ! mbronni veten nga efektet e vibrimit duke mirëmbajtur pajisjen dhe aksesorët e saj, duke i mbajtur duart e ngrohta dhe duke organizuar mënyrën tuaj të punës**



- ! هنگام بریدن فلزات نباید از کیسه جمع آوری گرد و غبار/جاروبرقی استفاده کنید
- کار کردن با ابزار (V)
- سیم ابزار را به برق نزنید
- همیشه دسته G را محکم با یک دست گرفته و با دست دیگر به طورقاطع T کار کنید
- ابزار را طوری بگذارید که جلوی پایه، صاف روی قطعه کاری قرار بگیرد
- مطمئن شوید که ندانه های اره در قطعه کاری درگیر نباشند
- ابتدا با فشار دادن کلید گردان V=اسوئچ ایمنی که می تواند قفل شود) ابزار را روشن کرده و سپس اساتر W را بکشید
- ! اول اجازه دهید ابزار به دور کامل خود برسد و بعد تیغه را وارد قطعه کاری کنید
- حافظ پایین F موقعی که تیغه اره وارد قطعه کاری می شود بطور خودکار باز خواهد شد (برای اجرای برشهای مخصوص مانند برش های عمیق حافظ پایین را بطور دستی با استفاده از اهرم G باز کنید)
- ! به ابزار فشار نیاورید (فشار آرام و پیوسته وارد کنید تا از داغ شدن نوک تیغه و در صورت برش پلاستیک، ذوب شدن مواد پلاستیکی جلوگیری گردد)
- ! هنگام کار باید همیشه ابزار را از جاهای) دست خاکستری رنگ بگیرد
- بعد از برش زدن ابزار را با زها کردن اساتر W خاموش کنید
- ! قبل از اینکه ابزار را از قطعه کاری جدا کنید، مطمئن شوید که تیغه به توقف کامل رسیده باشد

### توصیه های کاربردی

- هنگام استفاده از ریل راهنما (متعلقات به شماره قطعه ۲۱۱۰۲۰۰۱۴) به همراه مبدل، عمق برش در برش های ۹۰ و ۴۵ به اندازه ۱۴ میلیمتر کاهش خواهد یافت همیشه سمت خود قطعه کاری را پایین قرار دهید تا جدا شدن تراشه ها از آن به حداقل ممکن برسد
- فقط از تیغه اره های تیز از نوع مناسب (A) استفاده کنید
- کیفیت برش به تعداد ندانه های تیغه بستگی دارد
- تیغه های با لبه کاربید ۳۰ برابر بیشتر از تیغه های عادی تیزی خود را حفظ می کنند
- حصار برش Y (4)
- برای اجرای برش های دقیق در لبه قطعه کار
- در هر سمت پایه قابل نصب است
- تنظیم حصار برش
- کلید گردان Z را شل کنید
- با استفاده از مقیاس حصار برش، عرض برش دلخواه را تنظیم کنید (از خط یاب برش Q بعنوان نقطه - استفاده کنید)
- کلید گردان Z را سفت کنید
- برش عمیق (V)
- عمق برش دلخواه را تنظیم کنید
- ابزار را به جلو کج کنید تا خط یاب برش Q روی خط دلخواه برش علامت گذاری شده روی قطعه کاری بیافتد
- حافظ پایین F را با اهرم G باز کنید
- درست قبل از اینکه تیغه وارد قطعه کاری شود، ابزار را روشن کرده و آرام بخش پشتی ابزار را با استفاده از انتهای جلوی پایه بعنوان تکیه گاه پایین بیاورید
- ابزار را آرام به پایین و جلو ببرید
- به محض اینکه تیغه وارد قطعه کاری شد، اهرم G را رها کنید
- ! هرگز ابزار را عقب نکشید
- بریدن ورق های بزرگ (11)
- ورق را از بخشی که نزدیک به محل برش است روی زمین، میز یا میز کار محکم کنید
- ! عمق برش را طوری تنظیم کنید که اره فقط ورق را ببرد، نه تکیه گاه آنرا
- در صورتی که حصار برش اجازه نمی دهد عرض برش دلخواه را بدست آورد، یک تکه چوب را بعنوان هدایت کننده به قطعه کاری یا گیره یا میخ متصل کرده، و از سمت راست پایه در مقابل این هدایت کننده استفاده کنید

### نگهداری / سرویس - خدمات

- این ابزار برای مصارف حرفه ای مناسب نیست
- همیشه ابزار و سیم برق را تمیز نگه دارید (بخصوص منافذ تهویه)
- ! پیش از تمیز کردن سیم برق را از برق بکشید

- همیشه محیط اطراف حفاظ ختانی F (1) را تمیز نگه دارید (گرد و غبار و تراشه ها را با هوای فشرده و یا یک برس پاک کنید)
- تیغه اره را فوراً بعد از استفاده تمیز کنید (بخصوص رزین و چسب ها را از آن پاک کنید)
- اگر ابزار علیرغم تمام دقت و مراقبتی که در فرایندهای تولید و تست برده کرده شده از کار افتاد، تعمیرات باید فقط در مراکز خدمات پس از فروش ابزارهای برقی SKIL انجام شود
- ابزار را بصورت بازنشده همراه با رسید خرید به فروشنده یا نزدیک ترین مرکز خدمات رسانی SKIL بفرستید (آدرسها به همراه نمودار نقشه های سرویس ابزار در [www.skil.com](http://www.skil.com) موجود است)

### محیط زیست

- ابزارهای برقی، لوازم و متعلقات و بسته بندی آنها را نباید همراه با زباله های عادی خانگی دور انداخت (فقط مخصوص کشورهای عضو اتحادیه اروپا)
- یا توجه به مصوبه اروپایی ۲۰۱۲/۱۹/EC، اروپا درباره لوازم برقی و الکترونیکی مستعمل و اجرای این مصوبه مطابق با قوانین کشوری، ابزارهای برقی که به پایان عمر مفید خود رسیده اند باید جداگانه جمع آوری شده و به یک مرکز بازیافت مناسب و سازگار با محیط زیست انتقال یابند
- نمادعلامت (12) یادآور این مسئله در هنگام دور انداختن است

### اعلامیه مبنی بر رعایت استاندارد CE

- ابره گرد ۵۱۱۵/۵۷۱۵
- اطلاعات فنی (1)
- ما بر اساس مسئولیت انحصاری خود اعلام می نمایم که محصول شرح داده شده در قسمت «اطلاعات فنی» با استانداردها یا مستندات استاندارد شده زیر سازگاری و تطابق دارد: EN ۱۰۰۰۰، EN ۵۵۰۱۴، مطابق با مفاد مصوبات CE، ۲۰۱۴/۳۰۰، ۲۰۱۴/۲۰۰، EN ۲۰۱۱/۱۵/۰۱، EN ۲۰۱۱/۱۵/۰۱
- پرونده فنی در، BD Breda، ۴۸۲۰، SKIL Europe BV (PT-SEU/ENG) :

Marijn van der Hoofden Operations & Engineering  
Olaf Dijkstra Approval Manager

SKIL Europe BV, 4825 BD Breda, NL

16.10.2014

### صدا/ارتعاشات

- اندازه گیری ها بر اساس استاندارد EN ۱۰۷۴۵ و مشخص شده که میزان فشار صوتی این ابزار ۹۷ دسی بل و میزان توان صوتی آن ۱۰۸ دسی بل (با انحراف استاندارد ۳: دسی بل)، و میزان ارتعاشات \* می باشد (جمع بردارهای سه جهت K = ۱,۵ متر/مجدور ثانیه)
- \* در صورت برش چوب ۲,۱ متر/مجدور ثانیه
- \* در صورت برش فلزات ۲,۲ متر/مجدور ثانیه
- میزان انتشار ارتعاشات بر اساس تست استاندارد شده ای که در EN ۱۰۷۴۵ معرفی شده است اندازه گیری گردید: از این ارقام می توان برای مقایسه یک ابزار با دیگری و بعنوان ارزیابی اولیه در معرض قرارگیری ارتعاشات هنگام کار با ابزار در کاربری های فوق استفاده کرد
- استفاده کردن از ابزار برای کاربردهای متفاوت، یا با لوازم و متعلقات متفاوت/تفرقه یا لوازم و متعلقاتی که بد نگهداری شده اند، می تواند میزان در معرض قرارگیری را بطور قابل ملاحظه ای افزایش دهد
- مواقعی که ابزار خاموش است یا روشن است ولی کاری با آن انجام نمی شود، میزان در معرض قرارگیری بطور قابل توجهی کاهش می یابد
- ! با نگهداری مناسب از ابزار و لوازم و متعلقات آن، گرم نگه داشتن دست های خود، و سازمان دهی طرح های کاری می توانید خود را در برابر اثرات ارتعاش محافظت کنید

ث) پیش از قرار دادن اهر میز یا کف زمین، همیشه دقت کنید که حفاظ ختانی تیغه را پوشانده باشد. تیغه در صورت فقدان محافظت یا حرکت کردن باعث عقب رفتن اهر شده و هر چه را که در مسیر باشد خواهد برد. به مدت زمانی که بعد از رها کردن کلید طول می کشد تا تیغه متوقف شود توجه داشته باشید.

#### هشدارهای ایمنی اضافی

#### عمومی

- افراد کمتر از ۱۶ سال نباید با این دستگاه کار کنند
- این ابزار برای برش خیس مناسب نیست
- قبل از هرگونه تنظیم یا تعوض کردن لوازم و ملحمتعلقات حتماً باید سیم برق دستگاه را از پریز بکشید
- وقتی که سیم برق ابزار آسیب دیده هرگز از آن استفاده نکنید و از یک فرد متخصص بخواهید آنرا برای شما عوض کند
- با موادی حاوی آزنیت کار نکنید (آزنیت سرطان زاست)
- گرد و خاکی که از موادی مانند رنگ های حاوی سرب، برخی گونه های چوب، مواد معدنی و فلزات بلند می شود می تواند خطرناک باشد (ماس با این گرد و خاکها می و یا تنفس آنها می تواند در کاربران ابزار یا افراد نزدیک به محل کار واکنش های حساسیتی و/یا بیماری های تنفسی ایجاد کند)؛ یک ماسک مخصوص گرد و خاک بزنید و در صورت امکان از یک وسیله مکش گرد و خاک استفاده کنید
- از مقررات ملی مربوط به گرد و خاک موادی که می خواهید با آنها کار کنید پیروی نمایید
- فقط از میزهای اهر دارای سوئیچ استفاده کنید که در صورت نوسانات ولتاژ یا قطع برق از بکار افتادن دوباره موتور جلوگیری می کنند
- فقط از میزهای اهری استفاده کنید که دارای هدایت کننده برش هستند

#### متعلقات

- SKIL در صورتی که از متعلقات اصلی استفاده عملکرد بدون مشکل ابزار را تضمین می نماید
- متعلقات باید فقط با سرعت های چرخش مجاز که معادل بالاترین سرعت بدون بار ابزار هستند به کار برده شوند
- فقط از تیغه های با حداقل قطر ۱۷۰ میلیمتر، حداکثر قطر ۱۸۵ میلیمتر و سوراخ شفت ۱۶ میلیمتری استفاده شود
- هرگز از تیغه اهری های ساخته شده از فولاد برای کار در سرعت بالا استفاده نکنید (HSS) استفاده نکنید
- هرگز با این ابزار از سنگ های فرز استفاده نکنید

#### پیش از استفاده

- همیشه مطمئن شوید که ولتاژ ورودی دستگاه برابر ولتاژی باشد که روی پلاک دستگاه نوشته شده است (ابزارهایی که ولتاژ ورودی آنها ۲۳۰ یا ۲۴۰ ولت مشخص شده است می توانند با برق ۲۲۰ ولت هم کار کنند )
- پیچ ها، میخ ها و سایر اجزا دیگر می توانند به قطعه کاری شما آسیب بزنند؛ بنابراین پیش از شروع کار آنها را بردارید
- پیش از شروع برش تمام موانع موجود در بالا یا زیر مسیر برش را بردارید
- قطعه کاری را محکم کنید (اگر قطعه کاری را با گیره های یا گیره های رومیزی ثابت کنید بسیار مطمئن تر از گرفتن آن با دست خواهد بود)
- برای پیدا کردن سیم و لوله های پنهان از دستگاه های متکتور مناسب استفاده کرده یا با شترکت آب و برق و گاز محلی تماس گرفته و از آنها کمک بخواهید (ماس با سیم های برق موجب آتش سوزی و برق گرفتگی می شود؛ آسب رساندن به لوله های گاز سبب انفجار می شود؛ سوراخ کردن لوله های آب به ساختمان آسیب رسانده و موجب خطر برق گرفتگی می شود)
- سیم های رابط برق باید کاملاً باز شده و ایمن باشند. از سیم هایی با رده بندی ۱۶ آمپر

#### در حین استفاده

- میزان صدای تولید شده توسط این ابزار در حین کار می تواند از ۸۵ دسی بل بیشتر شود؛ از گوشه های محافظ استفاده کنید
- هرگز بدون محافظ ایمنی اصلی از این ابزار استفاده نکنید
- سعی نکنید قطعات کاری خیلی کوچک را با این ابزار برش کنید
- ابزار را بیش از اندازه به کار نگیرید
- در صورت گیر کردن یا بروز اشکالات برقی یا مکانیکی، فوراً ابزار را خاموش کرده و سیم برق آنرا از پریز بکشید

- اگر سیم برق آسیب دیده یا بریده شده باشد، هرگز به سیم دست نزنید، اما فوراً آنرا از پریز بکشید
- بعد از استفاده
- وقتی که کار شما با ابزار تمام شد، حتماً موتور آنرا خاموش کرده و مطمئن شوید که تمام بخشهای متحرک آن از حرکت ایستاده اند
- بعد از خاموش کردن اهر گرد، هرگز سعی نکنید با وارد آوردن فشار از کنار چرخش تیغه اهر را متوقف کنید

#### استفاده

- سوار کردن تیغه اهر (۳)
- سیم برق را از برق جدا کنید/بکشید
- اجاز آن A را با محافظه نگهداری B آن بردارید
- ضامن قفل کننده شفت C را فشار داده و ضمن برداشتن پیچ تیغه D با آچار آلن آنرا نگهدارید
- ضامن قفل کننده شفت C را فقط زمانی که ابزار به توقف کامل رسیده است فشار کنید
- ضامن قفل کننده شفت C را آزاد کنید
- فلنج E را بردارید
- حفاظ پایین F را با اهرم G باز کرده و ضمن اینکه تیغه اهر را سوار می کنید حفاظ را نگه دارید. ندانه های تیغه اهر و پیکان چاپ شده روی تیغه اهر باید با پیکان روی حفاظ پایین هم جهت باشد
- حفاظ پایین F را آزاد کنید
- فلنج E را سوار کنید
- مطمئن شوید که سطوح بیست H فلنج ها کاملاً تمیز بوده و به سمت تیغه باشند
- ضامن قفل کننده شفت C را فشار داده و ضمن اینکه پیچ تیغه را با آچار آلن به اندازه A/1 دور بیشتر از حدی که با دست سفت می شود سفت می کنید. آنرا نگهدارید (با اینکار از لغزش تیغه اهر هنگام روبرو شدن با مقاومت زیاد جلوگیری شده و بار وارده بر موتور و پس وزن اهر کاهش داده می شود)
- ضامن قفل کننده شفت C را آزاد کنید
- تنظیم عمق برش (۱۰-۱۵ میلیمتر) (۴)
- برای بیهت شدن کیفیت برش، تیغه برش نباید بیشتر از ۳ میلیمتر به داخل قطعه کاری وارد شود
- مهره L را شل کنید
- پایه K را با/بالایین بیاورید تا عمق برش دخواه روی مقیاس با نشانگر L تنظیم شود
- مهره L را سفت کنید
- تنظیم زاویه برش (۰-۴۵ درجه) (۵)
- ابزار را شل کنید
- مهره R را کج کنید تا زاویه برش دخواه روی مقیاس نشانگر N تنظیم شود
- مهره R سفت کنید
- عمق برش در برشهای اریب با مقدار روی مقیاس عمق برش یکسان نخواهد بود
- کنترل زاویه برش ۹۰ درجه (۵)
- پایه K را تنظیم و روی حداکثر عمق برش (۴) محکم کنید
- زاویه برش را روی ۰ درجه تنظیم و محکم کنید
- با یک گونیا زاویه ۹۰ درجه بین تیغه و پایین پایه را کنترل کنید
- اگر نیاز به تنظیم بود، کلید گرد M را شل کرده و مطابق شکل از پیچ تنظیم P استفاده کنید
- خط یاب قابل تنظیم برش Q (۱)
- برای هدایت ابزار روی خط دخواه علامت گذاری شده روی قطعه کاری
- برای برش های مستقیم ۰ درجه یا اریب ۴۵ درجه از خط نشانگر مربوطه استفاده کنید
- بخش عرض پایه باید روی بخش تکیه داده شده قطعه کاری مستقر شود
- می توانید تنظیم کنید تا مواد زائد به انتخاب شما در سمت داخل یا خارج تیغه قرار گیرند (b1)
- عرض برش به عرض ندانه های تیغه اهر و نه عرض خود تیغه بستگی دارد
- همیشه برای بدست آوردن خط اصلی برش چند برش آزمایشی بزنید
- مکش گرد و غبار
- جاروبرقی را به برابط V وصل کنید
- هرگز نگذارید جاروبرقی با حفاظ پایین یا عملکرد برش درگیر شود
- می توانید از کبسه جمع آوری گرد و غبار (متعلقات SKIL به شماره ۲۱۱۰۳۸۷۴۰۲) استفاده کنید



ج) بیش از حد به آنها نزدیک نشوید. برای کار جای مطمئن برای خود انتخاب کرده و تعادل خود را همواره حفظ کنید. به این ترتیب می‌توانید ابزار الکتریکی را در وضعیت‌های غیر منظره بهتر تحت کنترل داشته باشید.

ح) لباس مناسب بپوشید. از پوشیدن لباس‌های فراخ و حمل زینت آلات خود دور کنید. موها، لباس و دستکش‌ها را از بخش‌های مدار خارج چرخش دستگاه دور نگاهدارید. لباس‌های فراخ، موی بلند و زینت آلات ممکن است در قسمت‌های درحال چرخش دستگاه گیر کنند.

خ) در صورتیکه می‌توانید وسایل مکش گرد و غبار و یا وسیله جذب زائده را به دستگاه نصب کنید، باید مطمئن شوید که این وسایل نصب و درست استفاده می‌شوند. استفاده از وسایل مکش گرد و غبار مصونیت شما را در برابر گرد و غبار زیاد تر می‌کند.

د) استفاده صحیح از ابزار الکتریکی و مراقبت از آن  
ا) از وارد کردن فشار زیاد روی دستگاه خود داری کنید. برای هر کاری، از ابزار الکتریکی مناسب می‌توانید استفاده کنید. بکار گرفتن ابزار الکتریکی مناسب باعث می‌شود که بتوان آن‌ها دستگاه بهتر و با اطمینان بیشتر استفاده کنید.

ب) در صورت ایراد در کلید قطع و وصل ابزار برقی، از دستگاه استفاده نکنید. ابزار الکتریکی که نمی‌توان آنها را قطع و وصل کرد، خطرناک بوده و باید تعمیر شوند.

ت) قبل از تنظیم ابزار الکتریکی، تعویض متعلقات و یا کنار گذاشتن آن، دوشاخه را از برق کشیده و یا باطری آنرا خارج کنید. رعایت این اقدامات پیشگیری ایمنی از زاره افتادن ناخواسته ابزار الکتریکی جلوگیری می‌کند.

ث) ابزار الکتریکی را در صورت عدم استفاده، از دسترس کودکان دور نگاهدارید. اجازه ندهید که افراد نا وارد و یا اشخاصی که این دفتر چه راهنما را نخوانده اند، با این دستگاه کار کنند. قرار گرفتن ابزار الکتریکی در دست افراد ناوارد و بی‌چیزه خطرناک است.

ج) ابزار الکتریکی خوب مراقبت کنید. مواظب باشید که قسمت‌های متحرک دستگاه خود کار کرده و گیر نکنند. همچنین دقت کنید که قطعات ابزار الکتریکی شکسته و یا آسیب دیده نباشند. قطعات آسیب دیده را قبل از شروع به کار تعمیر کنید. علت بسیاری از سوانح کاری، عدم مراقبت کامل از ابزارهای الکتریکی می‌باشد.

ح) ابزار برش را تیز و تمیز نگاهدارید. ابزار برشی که خوب مراقبت شده و از لبه‌های تیز برخوردارند، کمتر رطوبت‌ها را جذب کرده و بهتر قابل هدایت می‌باشند.

خ) ابزارهای الکتریکی، متعلقات، ابزاری که روی دستگاه نصب می‌شوند و غیره را مطابق دستورات این جزوه راهنما طوری به کار بگیرید که با مدل این دستگاه تناسب داشته باشند. همچنین به شرایط کاری و نوع کار توجه کنید. کاربرد ابزار برقی برای موارد کاری که برای آن در نظر گرفته نشده است، می‌تواند شرایط خطرناکی را منجر شود.

د) سرویس  
ا) برای تعمیر ابزار الکتریکی فقط به متخصصین حرفه‌ای رجوع کرده و از وسایل یکدیگر اصل استفاده کنید. این باعث خواهد شد که ایمنی دستگاه شما تضمین گردد.

#### هشدارهای ایمنی برای اهره‌های گرد

1) روش‌های برش  
ا) **⚠️** خطر: دست‌های خود را به ناحیه برش و تیغه نزدیک نکنید. دست دوم خود را روی دسته‌کمی یا محافظه موتور قرار دهید. اگر اهره را با هر دو دست خود بگیرید، تیغه می‌تواند دست شما را ببرد.

ب) سعی کنید دست خود را زیر قطعه کاری ببرید. حفاظ نمی‌تواند شما را از تیغه در زیر قطعه کاری محافظت کند.

ت) عمق برش را بر اساس ضخامت قطعه کاری تنظیم کنید. کمتر از یک دندانه کامل تیغه باید از زیر قطعه کاری قابل مشاهده باشد.

ث) هرگز قطعه کاری که می‌خواهید برش بزنید را با دست یا در میان پاهای خود نگهیرید. قطعه کاری را در یک جایگاه پایدار محکم کنید. بسیار مهم است که قطعه کار را بطور صحیح محکم کنید تا از قرار گرفتن بدن خود در معرض ابزار گیر کردن تیغه و یا از دست رفتن کنترل جلوگیری نماید.

ج) اگر احتمال می‌دهید ابزار برش در حین کار با سیم‌های خود ابزاری یا هر سیم‌کشی غیر آشکار تماس پیدا کند، ابزار الکتریکی را فقط از دسته و سطوح عایق آن بگیرید. تماس با یک سیم دارای جریان «برق» باعث می‌شود که جریان «برق» به قسمت‌های فلزی آشکار ابزار الکتریکی نیز منتقل شده و برق‌گرفتگی ایجاد کند.

ح) هنگام برش همیشه از یک حصار برش و یا خط کش صاف لبه استفاده کنید. این کار دقت برش را افزایش داده و احتمال گیر کردن تیغه را کاهش می‌دهد.

خ) همیشه از تیغه‌هایی با اندازه و شکل سوراخ‌های میانی مناسب (لوزی شکل) در مقایسه با (گرد) استفاده کنید. کارکرد تیغه‌هایی که با محل‌های قرارگیری در اهره تناسب نداشته باشند غیرعاری بوده و کنترل ابزار را از دست شما خارج خواهند ساخت.

د) هرگز از واشر یا پیچ تیغه آسیب دیده یا نادرست استفاده نکنید. واشر و پیچ تیغه بطور خاص برای اهره شما و تضمین کارکرد بهینه و ایمنی عملیات طراحی شده‌اند.

ا) دلایل پس زدن ابزار و هشدارهای مربوطه  
• پس زدن به حرکت ناگهانی در واکنش به گیر کردن محدود یا همه جانبه و یا تراز نبودن تیغه اهره گفته می‌شود که باعث می‌گردد اهره بطرز غیرقابل کنترلی بلند شده و از قطعه کاری بیرون آمده و به سمت اپراتور برود

• اگر تیغه در شکاف برش در حال بسته شدن بطور محدود یا همه جانبه گیر کند، تیغه از حرکت می‌ایستد و واکنش حرکتی موتور باعث می‌شود که دستگاه با سرعت و شدت بسیار زیاد به سمت اپراتور برود

• اگر تیغه در برش پیچ و تاب بر داشته یا از تراز خارج شود، دندانه لبه پشتی تیغه می‌تواند وارد سطح بالایی شود و باعث شده و باعث شود که تیغه از شکاف برش خارج شده و به سمت اپراتور جهش نماید

• پس زدن در نتیجه استفاده غلط و یا بکارگیری نادرست ابزار و یا در شرایطی روی می‌دهد که با رعایت توصیه‌های ایمنی زیر می‌توان از بروز آن جلوگیری کرد

ا) اهره را محکم با هر دو دست گرفته و بازوان خود را طوری قرار دهید تا در برابر نیروهای پس زدن مقاومت کنید. بدن خود را در یک سمت تیغه و نه در راستای تیغه قرار دهید. پس زدن می‌تواند باعث پرتاب شدن اهره به عقب شود. اما نیروهای پس زدن در صورت رعایت نکات ایمنی صحیح توسط اپراتور قابل کنترل هستند.

ب) اگر تیغه گیر کرده است و یا به هر دلیلی برش را متوقف می‌کنید، کلید قطع و وصل را رها کرده و اهره را از بودن حرکت در قطعه کاری نگاهدارید تا تیغه به توقف کامل برسد. اگر تیغه هنوز حرکت می‌کند هرگز سعی نکنید اهره را از قطعه کاری خارج کرده یا اهره را عقب کشید. چون پس خواهد زد. وضعیت کار را بررسی کرده و اقدامات اصلاحی لازم را برای رفع گیرکردگی تیغه بعمل آورید. از بریدن میخ یا پیچ خودداری کنید.

ت) هنگام راه اندازی دوباره اهره در قطعه کاری، تیغه اهره را در مرکز شکاف برش قرار داده و کنترل کنید که دندانه‌های اهره با قطعه کاری درگیر نشده باشند. اگر تیغه اهره کاری داشته باشد ممکن است در صورت از سر گرفتن کار اهره، بلند شده یا از قطعه کاری پس بزند.

ث) برای صفحات بزرگ حائل و تکیه‌گاه قرار دهید تا خطر گیر کردن و پس زدن تیغه به حداقل برسد. احتمال دارد صفحات بزرگ به دلیل وزن خود تاب بردارند. به همین دلیل باید برای صفحه‌ها هر دو طرف، در مجاورت خط برش و لبه صفحه تکیه‌گاه قرار داد.

ج) از تیغه‌های کند یا آسیب دیده استفاده نکنید. تیغه‌هایی که تیز نشده‌اند یا درست سوار نشده‌اند در شکاف برش باریکی ایجاد می‌کنند که باعث افزایش بیش از حد اصطکاک، گیر کردن تیغه و پس زدن می‌شود.

ح) اهره‌های قفلی عمق تیغه و تنظیم زاویه برش باید پیش از برش محکم شوند. اگر تنظیمات تیغه در طول برش تغییر کند می‌تواند به گیر کردن تیغه و پس زدن منجر شود.

خ) هنگام برش در دیوارهای موجود و یا سایر بخشهای پنهان خیلی احتیاط کنید. تیغه جلاویده می‌تواند اشیا را ببرد و باعث پس زدن شود.

د) عملکرد حفاظ ختانی  
ا) پیش از هر بار استفاده، بسته شدن صحیح حفاظ ختانی را کنترل کنید. اگر حفاظ ختانی آزادانه حرکت نمی‌کند و بیدرتگ بسته می‌شود یا اهره کار تعمیر، هرگز حفاظ ختانی را در وضعیت باز قفل نکرده یا مهار نکنید. اگر اهره تصادفاً به زمین بیفتد ممکن است حفاظ ختانی خم شود، دوشاخه را کشیده، حفاظ ختانی را با دسته برگشتی بلند کرده و اطمینان حاصل کنید که آزادانه حرکت می‌کند و از هیچ زاویه‌ای با عمق برش یا تیغه یا هیچ بخش دیگری تماس ندارد.

ب) عملکرد فنر حفاظ ختانی را بررسی کنید. اگر حفاظ و فنر درست کار نمی‌کنند باید پیش از استفاده آنها را تعمیر کنید. کارکرد حفاظ ختانی ممکن است به دلیل آسیب دیدن اجزا و قطعات، جمع شدن ذرات چسبنده و یا جمع شدن گرد خا و کند و یا اشغال کند و یا تاخیر باشد.

ت) حفاظ ختانی باید فقط در برش‌های خاص مانند برش جیبی و یا برش‌های مرکب حفاظ ختانی برگردانده شود. به محض اینکه تیغه وارد قطعه کاری شود، حفاظ دستی را با دسته برگشتی بلند کنید. حفاظ ختانی باید آزاد شود. در کلیه اهره‌های دیگر، حفاظ ختانی باید بطور خودکار کار کند.

- إذا تعذر تشغيل الأداة على الرغم من الحذر الشديد في إجراءات التصنيع والاختبار، فيجب القيام بالإصلاحات بواسطة مركز خدمة ما بعد البيع لأدوات الطاقة التابع لشركة SKIL.
- قم بإرسال الأداة من تفكيكها بالإضافة إلى إثبات الشراء إلى البائع أو أقرب محطة خدمة (SKIL العناوين بالإضافة إلى مخطط الخدمة متاحان على [www.skil.com](http://www.skil.com))

## البيئة المحيطة

- لا تتخلص من الأدوات الكهربائية والملحقات ومواد التغليف مع النفايات المنزلية (لدول الاتحاد الأوروبي فقط):
- وفقاً للتوجيه الأوروبي 2012/19/EC حول نفايات المعدات الكهربائية والإلكترونية وتطبيقه مع القانون المحلي، يجب جمع الأدوات الكهربائية منتهية الصلاحية بشكل منفصل وإرسالها إلى أحد منشآت إعادة التصنيع المتوافقة مع البيئة.
- سيذكر الرمز (♻️) بهذا عند الحاجة إلى التخلص من أية أداة:

## إعلان توافق CE

مشار دائري 01616/0716

### البيانات الفنية ①

- نحن نقر على مسؤوليتنا الخاصة أن المنتج الموضح في «البيانات الفنية» يتوافق مع المعايير والسمتات العيارية التالية EN 10٠٧٤٥: EN 11٠٠٠ و EN 50٠١٤ بالتوافق مع شروط التوجيهات 2014/30/EU و 2014/53/EC و 2011/65/EU
- الملف الفني على [www.skil.com](http://www.skil.com)، EN 14٥٢٥ BD Breda، SKIL Europe BV (PT-SEU/ENG)

Marijn van der Hoofden Olaf Dijkgraaf  
Operations & Engineering Approval Manager

SKIL Europe BV, 4825 BD Breda, NL

16.10.2014

### الوضوء/الاهتزاز

- عند القياس بالتوافق مع EN 1٠٧٤٥ يكون مستوى ضغط صوت هذه الأداة هو ٩٧ ديسيبل (أ) ومستوى طاقة الصوت ١٠٨ ديسيبل (أ) (الانحراف المعياري ٣؛ ديسيبل).
- والاهتزاز \* (مجموع الاتجاهات بثلاثة K غير مؤثر مع 1,٥ م/م²)
- \* عند قطع الأخشاب ٢,٦ م/م²
- \* عند قطع العادن ٢,٢ م/م²
- تم قياس مستوى الاهتزازات بالتوافق مع الاختبار العياري المحدد في EN 1٠٧٤٥. يمكن استخدامه لمقارنة أداة بأداة أخرى وكتقييم تمهيدى للتعرض للاهتزاز عند استخدام الأداة في التطبيقات الموضحة:
- قد يؤدي استخدام الأداة في تطبيقات مختلفة أو مع ملحقات مختلفة أو ذات صيانة رديئة إلى زيادة مستوى التعرض بصورة كبيرة؛
- إن الفترة الزمنية التي يتم خلالها إيقاف تشغيل الأداة أو عندما تكون قيد التشغيل لكنها لا تؤدي أية مهام، تؤدي إلى تقليل مستوى التعرض بصورة كبيرة؛
- ! قم بحماية نفسك من تأثيرات الاهتزاز من خلال صيانة الأداة وملحقاتها. واحتفظ على يدك دائرتين وتنظيم أعطاك العمل لديك؛

## اطلاعات فنى ①

### إيمنى

#### راهنماي إيمنى عمومي

**⚠️ هشدار!** همه دستورات ايمنى و راهنمائى ها را بخوانيد. اشتباهات ناشى از عدم زراعت اين دستورات ايمنى ممكن است باعث برق گرفتگى، سموختگى و يا ساير جراحات هاى شديدى شود. همه هشدار هاى ايمنى و راهنمائى ها را براى اينده خوب نگهدارى كنيد. هر جا در اين راهنما از «ابزار الكترىكى» صحبت ميشود، منظور ابزارهاى الكترىكى (باسيم برق) و يا ابزارهاى الكترىكى باطرى دار (بدون سيم برق) مى باشد.

#### ١ ايمنى محل كار

(ا) محل كار خود را تميز، مرتب و مجهز به نور كافى نگهداريد. محيط كار نامرتب و كم نور ميتواند باعث سوانح كارى شود.  
(ب) با ابزار الكترىكى در محيط هاى كه در آن خطر انفجار وجود داشته و حاوى مايعات، گازها و غبارهاى محترقه باشد، كار نكنيد. ابزارهاى الكترىكى جرقه هاى ايجاد مى كنند كه مى توانند باعث آتش گرفتن گرد و بخار هاى موجود در هوا شوند.

(ت) هنگام كار با ابزار الكترىكى، كودكان و ساير افراد را از دستگاه دور نگهداريد. در صورتيكه حواس شما پرت شود، ممكن است كنترل دستگاه از دست شما خارج شود.

#### ٢ ايمنى الكترىكى

(ا) دوشاخه ابزار الكترىكى بايد با پريز برق تناسب داشته باشد. هيچگونه تقصيرى در دوشاخه ندهيد. ميدل دوشاخه نبايد همراه با ابزار الكترىكى دارى اتصال به زمين (ارت شده) استفاده شود. ميدل دوشاخه نبايد همراه با ابزار الكترىكى دارى اتصال به زمين (ارت شده) استفاده شود.

(ب) از تماس بدنى با قطعات دارى سيم اتصال به زمين (ارت شده) مانند لوله، شوزافان، اجاق برقى و يخچال خود دارى كنيد. در صورتيكه بدن شما با سيم دارى اتصال به زمين (ارت شده) تماس پيدا كند، خطر برق گرفتگى بيشتر خواهد شد. دستگاه را از باران و رطوبت دور نگهداريد. نفوذ آب به ابزار الكترىكى، خطر شوك الكترىكى را افزايش مى دهد.

(ت) از سيم به درستي استفاده كنيد. از سيم دستگاه براى كارهاى چون حمل ابزار الكترىكى، آويزان كردن آن و يا خارج كردن دوشاخه از برق استفاده نكنيد. دستگاه را در مقابل حرارت، روض، ليه هاى تيز و بخش هاى متحرك دستگاه دور نگهداريد. كابل هاى اسباب بيده و يا گره خورده خطر شوك الكترىكى را افزايش مى دهند.

(ج) در صورتيكه با ابزار الكترىكى در محيط باز كار مى كنيد، تنها از كابل را بطى استفاده كنيد كه براى محيط باز نيز مناسب باشد. كابل هاى رابط مناسب براى محيط باز، خطر برق گرفتگى را كم مى كنند.

(ح) در صورت لزوم كار با ابزار الكترىكى در محيط و اماكن مرطوب، در اينصورت بايد از يك كليد حفاظتى جريان خطا و نشتى زمين (كليد قطع كنده اتصال با زمين) استفاده كنيد. استفاده از كليد حفاظتى جريان خطا و نشتى زمين خطر برق گرفتگى را كمتر مى كند.

#### ٣ زراعت ايمنى اشخاص

(ا) حواس خود را خوب جمع كنيد، به كار خود دقت كنيد و با فكر و هوش كامل با ابزار الكترىكى كار كنيد. در صورت خستگى و يا در صورتيكه مواد مخدر، الكل و دارو استفاده کرده، با ابزار الكترىكى كار نكنيد. يك لحظه بس توجهى هنگام كار با ابزار الكترىكى، ميتواند جراحات هاى شديدى به همراه داشته باشد.

(ب) همواره از تجهيزات ايمنى شخصى استفاده كنيد. همواره از عينك ايمنى استفاده كنيد. استفاده از تجهيزات ايمنى مانند ماسك ايمنى، كفش هاى ايمنى ضد لغزش، كلاه ايمنى و گوشى ايمنى متناسب با نوع كار با ابزار الكترىكى، خطر مجروح شدن را تقليل مى دهد.

(ت) مواظب باشيد كه ابزار الكترىكى بطور ناخواسته بكار نيفتد. قبل از وارد كردن دوشاخه دستگاه در پريز برق، اتصال آن به باطرى، برداشتن آن و يا حمل دستگاه، بايد دقت كنيد كه ابزار الكترىكى خاموش باشد. در صورتيكه هنگام حمل دستگاه انگشت شما روى دكمه قطع و وصل باشد و يا دستگاه را در حالت روشن به برق بزويد، ممكن است سوانح كارى پيش آيد.

(ث) قبل از روشن كردن ابزار الكترىكى، بايد همه ابزار هاى تنظيم كنده و آچار ها را از روى دستگاه برداريد. ابزاره آچارهاى كه روى بخش هاى چرخنده دستگاه قرار دارند، مى توانند باعث ايجاد جراحات شوند.

FA

01616/0716

اره گرد

### مقدمه

- اين ابزار براى برش طولى و عرضى قطعات چوب و نيز برشهاى زاويه اى تا 45 درجه کاربرد دارد، در صورت استفاده از تيغه اهره هاى مناسب، اين ابزار را مى توان براى برش فلزات غير آهنى، مصالح ساختمانى سبك و پلاستيك نيز استفاده كرد
- اين ابزار براى مصارف حرفه اى مناسب نيست
- لطفاً اين دفترچه راهنما را مطالعه كرده و نگهداريد ①

## بعد الاستخدام

- عندما تضع الأداة جانباً، أوقف تشغيل المحرك وتأكد من توقف جميع الأجزاء المتحركة بشكل تام
- بعد القيام بإيقاف تشغيل المنشار الدائري، امتنع نهائيًا عن إيقاف دوران شفرة المنشار باستخدام قوة جانبية تعترضه

## الاستخدام

- تشغيل الأداة (V)
- وصل القابض بمصدر الطاقة
- امسك دائنًا بالمقبض S بإحكام بإحدى اليدين و اعمل باليد الأخرى T
- اصنع الأداة بشكل مستوي على قطعة العمل بالجهة الأمامية من القدم
- ! تأكد من عدم تداخل سنون المنشار في قطعة العمل
- قم بتشغيل الأداة أولاً بالضغط على الزر (V =) مفتاح الأمان الذي لا يمكن قفله)
- ثم اسحب مفتاح التشغيل W
- ! يجب أن تعمل الأداة بسرعة كاملة قبل أن تدخل الشفرة في قطعة العمل
- لا تستخدم السفلي F لتفانيًا عندما تدخل شفرة المنشار قطعة العمل (افتح الواقي السفلي يدويًا G وذلك فقط للقطع الخاص مثل بدأ القطع من الوسط)
- ! لا تستخدم الأداة قسراً! اضغط برفق وباستمرار لتجنب تعريض أطراف الأنصال المستدقة للسخونة المفرطة، وفي حالة تقطيع البلاستيك، لتجنب ذوبان المواد البلاستيكية).
- ! أثناء العمل، امسك الأداة دائنًا من منطقة (مناطق) المقبض رمادية اللون:
- بعد إتمام عملية القطع أوقف تشغيل الأداة عن طريق إغلاق مفتاح التشغيل W
- ! تأكد من توقف حركة الشفرة تمامًا، قبل رفع الأداة عن قطعة العمل

## توصيات الاستخدام

- عند استخدام قضيب التوجيه (الملحق (Z٠٤٠٦٤ - Z٠٦١٠) بالإضافة إلى المهايئ. سيقط عمق القطع مسافة ١٤ م لـ ٩٠ بالإضافة إلى ٤٥ قطع
- وجه الجانب الجيد من قطعة العمل للأسفل دائماً لضمان أقل كمية من الشظايا
- لا تستخدم سوى شفرات منشار حادة من النوع الصحيح (A)
- لتحسن جودة القطع تبعاً لعدد السنون
- تبقى الشفرات ذات السنون المصنوعة من مادة الكريبد حادة حتى ٣٠ مرة أكثر من الشفرات العادية
- حاجز النشر الطولي Y (٤)
- للحصول على عمليات قطع دقيقة على امتداد حافة قطعة العمل
- يمكن إخماله في أي جانب من جوانب القدم
- ضبط حاجز النشر الطولي
- اغلق المقبض الدوار Z
- اضبط عرض القطع المطلوب باستخدام تدرج حاجز القطع الطولي (استخدم مجال رؤية خط القطع Q كمرجع صفري)؛
- احكم ربط المقبض الدوار Z
- قطع من الوسط (٥)
- اضبط عمق القطع المطلوب
- قم بإمالة الأداة للأمام باستخدام مجال رؤية خط القطع Q على خط واحد مع خط القطع المطلوب المبين على قطعة العمل:
- افتح الواقي السفلي F باستخدام الرافعة G
- قبل إدخال الشفرة بقطعة العمل مباشرة، قم بتشغيل الأداة وانزل الجزء الخلفي منها تدريجياً باستخدام الجهة الأمامية من القدم كقطعة تلامس
- حرك الأداة للأسفل وللأمام تدريجياً
- دور دخول الشفرة بالحدة، اغلق الذراع G
- ! يحظر نهائيًا سحب الأداة للخلف
- قطع اللوحات الكبيرة (٦)
- قم بسند اللوحة قريباً من القطع سواء على الأرض أو المنضدة أو منصة العمل
- ! اضبط عمق القطع بحيث ينفذ القطع باللوحه وليس بالعمامة
- في حالة ما لم يوفر حاجز النشر الطولي عرض القطع المطلوب، قم بتثبيت قطعة خنثب مستقيمة بقطعة العمل باستخدام ملازمة أو براغي بحيث تُستخدم كقطعة موجهة، واستخدم الجانب الأيمن من القدم في مقابل هذه القطعة

## الصيانة / الخدمة

- لم يتم تصميم هذه الأداة للاستخدام الاحترافي:
- حافظ دائنًا على نظافة الأداة والسلك (خاصة فتحات التهوية)
- ! افض القابض قبل التنظيف
- حافظ دائنًا على نظافة المنطقة المحيطة بالواقي السفلي F (قم بإزالة الغبار والرقائق من خلال النفخ بواسطة هواء مضغوط أو فرشاة)
- نظف ريش المنشار بعد الاستخدام مباشرة (خاصة من الصمغ والغراء)

- تركيب شفرة المنشار (٣)
- ! افض القابض:
- تناول المفتاح المسدس A من موضع التخزين B؛
- ادفع زر قفل عمود الدوران C وثبته أثناء قيامك بإزالة مسمار الشفرة D باستخدام المفتاح المسدس:
- ! لا تقم بدفع زر القفل المغزلي C إلا والأداة متوقفة تمامًا عن الحركة
- اغلق زر القفل المغزلي C
- قم بإزالة الفلنجية E
- افتح الواقي السفلي F باستخدام الذراع G وثبته أثناء القيام بتركيب شفرة المنشار بحيث تشير سنون المنشار والسهم المطبوع على نصل المنشار إلى نفس اتجاه السهم الموجود على الواقي السفلي
- اغلق الواقي السفلي F
- قم بتركيب الفلنجية E
- ! تأكد من النظافة التامة لأسطح تثبيت H الفلنجيات ومن أنها متقابلة الشفرة
- ادفع زر قفل عمود الدوران C وثبته أثناء إكمال ربط مسمار الشفرة باستخدام المفتاح المسدس مقدار 1/8 لفة باليد (مع التأكد من انزلاق نصل المنشار عندما يتعرض لقائمة هائلة، الأمر الذي يخفف التحميل الزائد على المحرك وارتداد المنشار)؛
- اغلق زر القفل المغزلي C
- ضبط عمق القطع (١٥-٠٠) ملم (٤)
- للحصول على أفضل جودة قطع يجب ألا تمتد شفرة المنشار لمسافة تزيد عن ٣ ملم أسفل قطعة العمل
- اغلق المقبض الدوار J
- ارفع/انزل القدم K حتى تضبط عمق القطع المطلوب على التدرج باستخدام المؤشر L
- احكم ربط المقبض الدوار J
- ضبط زاوية القطع (٤٥-٠) درجة (٥)
- اغلق المقبض الدوار M
- قم بإمالة الأداة حتى ضبط زاوية القطع المطلوبة على التدرج باستخدام المؤشر N
- احكم ربط المقبض الدوار M
- ! عند القطع المائل، لا يتوافق عمق القطع مع القيمة الظاهرة على تدرج عمق القطع
- التحقق من زاوية قطع ٩٠ درجة (٥)
- اضبط القدم K واحكم ربطها على الحد الأقصى لعمق القطع (٤)
- اضبط زاوية القطع واحكم ربطها على زاوية ٠ درجة
- خفف من توفّر زاوية قياسها ٩٠ درجة بين النصل والجزء السفلي من القدم باستخدام مربع
- في حالة الحاجة إلى الضبط، حرر المقبض M واستخدم برغي الضبط P كما هو موضح بالشكل:
- مجال رؤية خط القطع القابل للضبط Q (١a)
- لتوجيه الأداة على امتداد خط القطع المطلوب المبين على قطعة العمل
- استخدم خط المؤشر الملائم للحصول على قطع مستقيمة بزاوية قياسها ٠ درجة أو قطع مائل بزاوية قياسها ٤٥ درجة
- ! يجب سندن الجزء العريض من القدم على الجزء المقوّم من قطعة العمل
- يمكن ضبطه ليتيح لك اختيار أن تكون الفتحات بالجانب الداخلي أو الخارجي من النصل (1b)؛
- ! يتحدد عمق القطع تبعاً لعرض سنون الشفرة وليس تبعاً لعرض جسم الشفرة
- ! قم دائماً بإجراء تجارب قطع في يادئ الأمر للتحقق من خط القطع
- شغط الغبار
- وصل المكنتسة الكهربائية بموضع التوصيل R (٦)
- ! لا تسمح مطلقاً بتداخل خرطوم المكنتسة الكهربائية مع الواقي السفلي أو عملية القطع
- كما يمكن كذلك استخدام كيس غبار (ملحق SKIL رقم (٠١٠٣٧٧٤٠٦١١
- ! لا تستخدم كيس الغبار/المكنتسة الكهربائية عند قطع المعادن:

ح عند النشر الطولي، استخدم دائماً حاجز قطع طولي أو موجه حافة مستقيم؛ فهذا من شأنه أن يحسن دقة القطع ويقلل فرصة تعويق حركة النصل:

خ استخدم دائماً أنصال ذات مفاص صحيح وتتمتع بشكل (شكل معين مقابل الحلقة) قمحات محور صحيح. استعمل الأنصال التي لا تلازم جهاز تركيب

النشار بشكل غريب، وستتسبب في فقدان التحكم؛ يُحظر نهائيًا استخدام فلكات أنصال تالفة أو غير صحيحة وكذلك الحال بالنسبة لبرغي النصل؛ تم تصميم فلكات الأنصال والبرغي خصيصاً من أجل مشاركون اللصوصل على أداء مثالي أثناء التشغيل:

ز أسباب الارتداد والتخديرات المرتبطة

• يعد الارتداد رد فعل مفاجئ لحصر أو تعويق أو فقدان استقامة نصل النشار، ما يتسبب في رفع النشار الخارج عن السيطرة وإخراجه من قطعة العمل بإجاءه التشل:

• عند تعرض النصل للحصر أو التعويق الحكم بسبب توقف القطع، يتوقف النصل ويؤدي رد فعل الحرك إلى دفع الوحدة للخلف سريعاً نحو النشار:

• إذا تعرض النصل للبل أو فقدان الاستقامة في القطع، فإن السنون الموجودة في الحافة الخلفية للنصل قد تشق السطح العلوي للخشب متسببة في ارتفاع النصل خارج القطع واندفاعه للخلف نحو النشار:

• يعتبر الارتداد نتيجة مترتبة على سوء استخدام الآداة وإجراء أو ظروف التشغيل غير الصحيحة، ويمكن تجنبه باتخاذ الاحتياطات الملائمة على النحو المبين أدناه:

أ) أحكم الإمساك بالنشار بكلتا يديك واتخذ بذراعيك الوضع الذي يتيح لك مقاومة قوى الارتداد؛ ضع جسمك على أي من جانبي النصل، على ألا يكون ذلك على استقامة واحدة مع النصل؛ قد يتسبب الارتداد في قفز النشار للخلف، إلا أن النشار بإمكانه التحكم في قوى الارتداد، إذا اتخذ الاحتياطات للملائمة:

ب) عند تعويق حركة النصل أو مقاطعة القطع لأي سبب من الأسباب، حرر الزناد وثبت النشار، بلا حركة في المادة حتى يتوقف النصل تماماً؛ يُحظر نهائيًا محاولة إزالة النشار من العمل أو سحبه للخلف أثناء حركة النشار، وإلا فقد يحدث ارتداد؛ خفف من الأمر واتخذ الإجراءات التصحيحية للتخلص من سبب تعويق حركة النصل، تجنب قطع المسامير والبراغي:

ت) عند إعادة تشغيل منشار في قطعة العمل، ضع نصل المنشار في وضع مركزي في القطع وخفف من عدم تعشيق سنون المنشار في المادة؛ في حالة تعويق حركة نصل المنشار، قد يتحرك لأعلى أو يترد من قطعة العمل عند إعادة تشغيل المنشار:

ث) قم بسند اللوحات الكبيرة لتقليل خطر حصر وارتداد النصل؛ حيث تميل اللوحات الكبيرة للانثناء تحت ثقل وزنها؛ يجب وضع الدعائم أسفل اللوحة بكلتا الجانبين بالقرب من خط القطع ومن حافة اللوحة:

ج) لا تستخدم أنصال غير حادة أو تالفة؛ تؤدي الأنصال غير الحادة أو المضبوطة على نحو غير صحيح إلى قطع محدود، ما يتسبب في احتكاك مفرط وتعويق حركة النصل وارتداده:

ح) يجب أن يكون عمق النصل وأذرع قفل ضبط الميل محكمة ومؤمنة قبل القطع؛ في حالة انتقال ضبط النصل من موضعه أثناء القطع، قد يتسبب ذلك في تعويق الحركة وحدوث ارتداد:

خ) توخ مزيداً من الحذر عند النشر في حوائط قائمة أو أي مناطق "غير نافذة" أخرى؛ قد يقوم النصل الناتج بقطع أجسام بإمكانها إحداث ارتداد:

ز) وظيفة الوافي السفلي

أ) خفف من الغلق التام للوافي السفلي قبل كل استخدام؛ لا قم بتشغيل المنشار إذا لم يتحرك الوافي السفلي بحرية ولم يتغلق فوراً؛ يُحظر نهائيًا قشط أو ربط الوافي السفلي في وضع الفتح؛ إذا تعرض المنشار للسقوط عن غير قصد، فقد ينتهي الوافي السفلي، أفضل الفاييس وأرفع الوافي السفلي باستخدام مقبض السحب وتأكد من خركه بحرية وعدم ملامسته للنصل أو لأي جزء آخر في كل زوايا وأعماق القطع:

ب) خفف من تشغيل زمبر الوافي السفلي؛ إذا لم يعمل كل من الوافي والزمبر على نحو جيد، يجب أن يخضع لأعمال الخدمة قبل الاستخدام؛ قد يعمل الوافي السفلي ببطء بسبب وجود أجزاء تالفة أو رواسب لرجة أو تراكم الخلفات:

ت) يجب سحب الوافي السفلي يدويًا فقط مع القطوع الخاصة مثل قطوع الغطس والقطوع المركبة؛ ارفع الوافي السفلي عن طريق مقبض السحب، ويجب تحرير الوافي فور دخول المنشار في المادة؛ لكل عمليات النشر الأخرى، يجب تشغيل الوافي السفلي تلقائيًا؛

ث) انتبه دائماً إلى أن الوافي السفلي يغطي النصل قبل وضع المنشار على الطاولة أو الأرضية؛ فوجود نصل مستمر في الدوران وغير محمي سيؤدي إلى خربك المنشار للخلف وقطع أي شيء يوجد في مساره، انتبه جيداً إلى الوقت الذي يستغرقه النصل حتى يتوقف بعد تحرير المفتاح:

#### خديرات السلامة الإضافية

#### معلومات عامة

• لا يجب استخدام هذه الآداة من قبل الأشخاص الأقل من 16 عام؛

• هذه الآداة غير ملائمة للقطع المبلل

• احرص دائماً على فصل الفاييس من مصدر الطاقة قبل القيام بعمليات ضبط أو تغيير أية ملحقات؛

• يحظر نهائيًا استخدام الآداة في حالة تلف السلك، بل قم باستبداله من قبل أحد الأفراد المؤهلين

• لا تعمل باستخدام مواد تشتمل على الأستيتوس (يعتبر الأستيتوس مادة مسرطنة)؛

• الغبار الناتج من المواد الكاطلام الذي يحترق على رصاص وبعض أنواع الأخشاب والعالن والكونيات المعدنية قد يكون ضارًا (ملاصقة أو استنشاق الغبار قد تتسبب في إصابة المشغل أو من يجاوره بأمراض الحساسية وأ/أو أمراض الجهاز التنفسي)؛ قم بارتداء قناع للغبار مع العمل باستخدام جهاز شفط للغبار، طالما أمكن توصيله

• نمة أنواع معينة من الغبار تصنف على أنها مواد مسببة للسرطان (مثل غبار خشب البوط والزان) خاصة عند استخدامها مع مواد مضافة لعلاج الخشب؛ قم بارتداء قناع للغبار مع العمل باستخدام جهاز شفط للغبار، طالما أمكن توصيله

• التزم بالمتطلبات الوطنية الخاصة بالغبار عند العمل باستخدام المواد المطلوبة

• لا تستخدم سوى طاولات النشر المزودة بمفتاح يحمي من إعادة تشغيل الحرك بعد انقطاع الجهد الكهربائي

• لا تستخدم سوى طاولات النشر المزودة بدليل القطع

المحلفات

• تتضمن SKIL التشغيل السليم للآداة فقط عند استخدام الملحقات الأصلية؛

• استخدم فقط الملحقات بالسرعة المسموح بها، والتي توافق على الأقل أعلى سرعة للآداة بدون حمل؛

• لا تستخدم سوى أنصال متماشير التي يبلغ قطرها 170 م بحد أدنى و 184 م بحد أقصى، وقطر فتحة عمود الدوران 16 م؛

• يحظر نهائيًا استخدام شفرة منشار مصنوعة من الفولاذ عالي السرعة (HSS)

• يحظر نهائيًا استخدام أقراص جليخ/قطع مع هذه الآداة

قبل الاستخدام

• تأكد دائماً من أن الفولت المزود هو نفسه المشار اليه على اللوحة الخاصة بالأداة (يمكن كذلك توصيل الأدوات ذات التصنيف 120 فولت أو 240 فولت بمصدر إمداد 220 فولت)؛

• تجنب التلف الذي قد تتسبب فيه البراغي والمسامير والعناصر الأخرى الموجودة في القطعة التي تعمل بها، قم بفكهم قبل بدء العمل؛

• قبل بدء القطع قم بإزالة جميع العوائق التي توجد أعلى وأسفل مسار القطع

• ثبت قطعة العمل (الإمساك) بقطعة عمل مثبتة بأجهزة تثبيت أو في ملزمة أكثر أمناً من مسكها باليد؛

• استخدم كاشفات ملائمة للتعرف على خط المرافق أو اطلب شركة المرافق إلى حدوث اتصال غير مساعده للتلامس مع خطوط إمداد الكهرباء قد يؤدي اختراق أنابيب المياه سيسبب في حدوث ضرر في الممتلكات أو صدمة كهربائية؛ استخدم أسلاك تمديد مشكوة تماماً وآمنة سعة 16 أمبير (13 أمبير في بريطانيا العظمى)

أثناء الاستخدام

• قد يزيد مستوى الضوضاء أثناء العمل عن 85 ديسيبل (أ)، لذا قم بارتداء واقبات للأذن

• يحظر نهائيًا استخدام الآداة بدون نظام الحماية الأصلي للوقاية

• لا تحاول قص قطع صغيرة جدا

• لا تستخدم الآداة فوق مستوى الرأس

• في حالة حدوث احتشاح أو خلل كهربائي أو ميكانيكي، أوقف تشغيل الآداة فوراً وافصل الفاييس

• في حالة تعرض السلك للتلف أو لقطع أثناء العمل، لا تلمس السلك وافصل الفاييس فوراً

## مقدمة

- هذه الأداة مخصصة للقطع الطولي والمتقاطع للأخشاب مع القطع المستقيم و قطع الزاوية إلى غاية ٤٥ درجة، وباستخدام الشفرة الملائمة يمكن كذلك قطع المواد غير الحديدية ومواد البناء الخفيفة والبلاستيك.
- لم يتم تصميم هذه الأداة للاستخدام الاحترافي؛
- اقرأ دليل التعليمات هذا واحتفظ به ①

## البيانات الفنية ①

## أمان

## تعليمات السلامة العامة

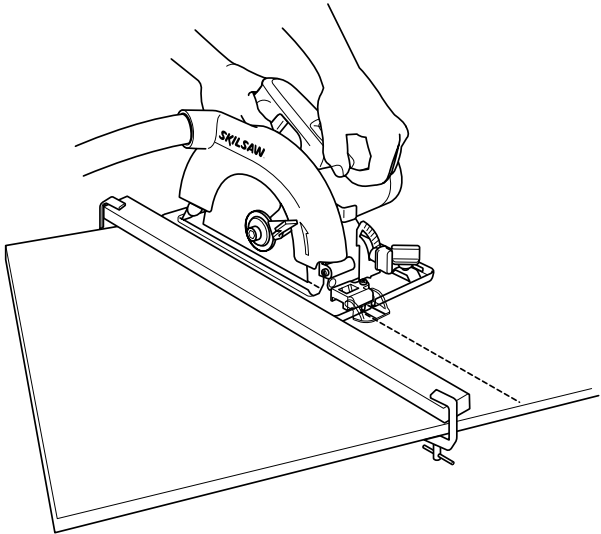
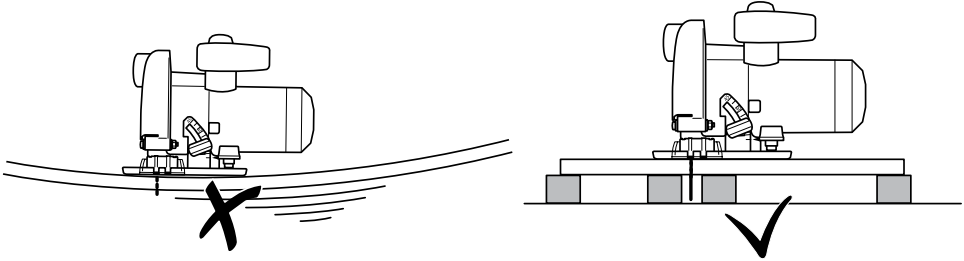
⚠ حذراً! اقرأ جميع الملاحظات التحذيرية والتعليمات إن ارتكبت الأخطاء عند تطبيق الملاحظات التحذيرية والتعليمات قد يؤدي إلى الصدمات الكهربائية، إلى نشوب الحرائق أو /أو الإصابة بجروح خطيرة. احتفظ بجميع الملاحظات التحذيرية والتعليمات للمستقبل. يقصد بمصطلح «العدة الكهربائية» المستخدم في الملاحظات التحذيرية، العدد الكهربائي الموصولة بالشبكة الكهربائية بواسطة كابيل الشبكة الكهربائية) وأيضاً العدد الكهربائي المزودة بطارية (دون كابيل الشبكة الكهربائية).

## ① الأمان بمكان الشغل

- حافظ على نظافة وجسنة إضاءة مكان شغلك الفوضئة في مكان الشغل ومجالات العمل الغير مضاعة قد تؤدي إلى حدوث الحوادث.
- لا تشغل بالعدة الكهربائية في محيط معرض لخطر الانفجار والذي تتوفر فيه السوائل أو الغازات أو الأبخرة القابلة للاشتعال. العدد الكهربائي تشكل الشر الذي قد يتطاير فيشعل الأبخرة والأخيرة.
- حافظ على بقاء الأطفال وغيرهم من الأشخاص على بعد عندما تستعمل العدد الكهربائي. قد تفقد السيطرة على الجهاز عند التلهي.
- الأمان الكهربائي
  - يجب أن يتلاءم قابس وصل العدد الكهربائي مع المقبس. لا يجوز تغيير القابس بأي حال من الأحوال. لا تستعمل القوايس الهابطة مع العدد الكهربائي الموضوعة بأرض وقائي. تخفض القوايس التي لم يتم تغييرها والمقابس الملائمة من خطر الصدمات الكهربائية.
  - جنب ملامسة السطوح الموضوعة كالأنابيب وراياتورات التدفئة والمدافئ أو البرادات بواسطة جسمك. يزداد خطر الصدمات الكهربائية عندما يكون جسمك مريض.
  - ابتعد العدد الكهربائي عن الأمطار أو الرطوبة. يزداد خطر الصدمات الكهربائية إن تسرب الماء إلى داخل العدد الكهربائي.
  - يجب عدم إساءة استخدام الكابيل. لا نسى استعمال الكابيل حمل العدد الكهربائي في تعليقه أو لسحب القوايس من المقبس. حافظ على إبعاد الكابيل عن الحرارة والزيوت والحواف الحادة أو عن أجزاء الجهاز المتحركة. تزيد الكابلات التالفة أو المتشابكة من خطر الصدمات الكهربائية.
  - استخدم فقط كابلات التمهيد الصالحة للاستعمال الخارجي أيضاً عندما تشغل بالعدة الكهربائية في الحلاء. يخفض استعمال كابيل تمديد مخصص للاستعمال الخارجي من خطر الصدمات الكهربائية.
  - إن لم يكن بالإمكان عدم تشغيل العدد الكهربائي في الأجواء الرطبة. فاستخدم فقط مفتاح للوقاية من التيار المتردد. إن استخدام مفتاح للوقاية من التيار المتردد يقلل خطر الصدمات الكهربائية.
- أمان الأشخاص
  - كن يقظاً وانتبه إلى ما تفعله وقم بالعمل بواسطة العدد الكهربائي بتعقل. لا تستخدم عدة كهربائية عندما تكون متعب أو عندما تكون تحت تأثير المخدرات أو الكحول أو الأدوية. عدم الانتباه للحظة واحدة عند استخدام العدد الكهربائي قد يؤدي إلى إصابة خطيرة.
  - ارتد عتاد الوقاية. وارتد دائماً نظارات واقية. يجب ارتداء عتاد الوقاية الخاص كفتاح الوقاية من الغبار وأحذية الأمان الواقية من الإزلاق والحوذ واقية الأذن. حسب نوع واستعمال العدد الكهربائي. من خطر الإصابة بجروح.

- جنب التشغيل بشكل غير مقصود. تأكد من كون العدد الكهربائي مطفأة قبل وصلها بإمداد التيار الكهربائي و/ أو بالتركم، وقبل رفعها أو حملها. إن كنت تضع إصبعك على المفتاح أثناء حمل العدد الكهربائي أو إن وصلت الجهاز بالشبكة الكهربائية عندما يكون قيد التشغيل، فقد يؤدي ذلك إلى حدوث الحوادث.
- انزع عدد الضبط أو مفتاح الربط قبل تشغيل العدد الكهربائي. قد تؤدي العدة أو المفتاح المتواجد في جزء دوار من الجهاز إلى الإصابة بجروح.
- جنب أوضاع الجسم غير الطبيعية، قف بأمان وحافظ على توازنك دائماً. سيسمح لك ذلك من السيطرة على الجهاز بشكل أفضل في المواقف غير المتوقعة.
- ارتد ملابس مناسبة. لا ترتدي الثياب الفضفاضة أو الخلي. حافظ على إبقاء الشعر والثياب والقفازات على بعد عن أجزاء الجهاز المتحركة. قد تتشابك الثياب الفضفاضة والخلي والشعر الطويل بالأجزاء المتحركة.
- إن جاز تركيب جهاز شغط وجميع الغبار فتأكد من أنها موصولة وبأنه يتم استخدامها بشكل سليم. قد يقلل استخدام تجهيزات لشغط الأبخرة من المخاطر الناتجة عن الأبخرة.
- حسن معاملة واستخدام العدد الكهربائي
  - لا تفرط في تحميل الجهاز. استخدم لتنفيذ أشغالك العدد الكهربائي المخصصة لذلك. إنك تعمل بشكل أفضل وأكثر أماناً بواسطة العدد الكهربائي الملائمة في مجال الأداء المذكور.
  - لا تستخدم العدد الكهربائي إن كان مفتاح تشغيلها تالف. العدد الكهربائي التي لم تعد تسمح بتشغيلها أو بإطافئها خطيرة ويجب أن يتم تصليحها.
  - اسحب القوايس من المقبس / و / أو انزع الترمك قبل ضبط الجهاز وقبل استبدال التوابع أو قبل وضع الجهاز جانباً. تمنع إجراءات الاحتياط هذه تشغيل العدد الكهربائي بشكل غير مقصود.
  - احتفظ بالعدد الكهربائي التي لا يتم استخدامها بعيداً عن متناول الأطفال. لا تسمح باستخدام العدد الكهربائي لمن لا خبرة له بها أو لمن لم يقرأ تلك التعليمات. العدد الكهربائي خطيرة إن تم استخدامها من قبل أشخاص دون خبرة.
  - اعتن بالعدة الكهربائية بشكل جيد. تفحص عما إذا كانت أجزاء الجهاز المتحركة تعمل بشكل سليم وبأنها غير مستعصبة عن الحركة أو إن كانت هناك أجزاء مكسورة أو تالفة لدرجة تؤثر فيها على حسن أداء العدد الكهربائي. ينبغي تصليح هذه الأجزاء التالفة قبل إعادة تشغيل الجهاز. الكثير من الحوادث يصدرها العدد الكهربائي التي تم صيانتها بشكل ردي.
  - حافظ على إبقاء عدد القطع نظيفة وحادة. إن عدد القطع ذات حواف القطع الحادة التي تم صيانتها بعناية تكليس بشكل أقل ويمكن توجيهها بشكل أيسر.
  - استخدم العدد الكهربائي والتوابع وعدد الشغل والرخ حسب هذه التعليمات. تراعى أثناء ذلك شروط الشغل والعمل المراد تنفيذ. استخدام العدد الكهربائي لغير الأشغال المخصصة لأجلها قد يؤدي إلى حدوث الحالات الخطيرة.
  - الحذمة
    - اسمح بتصليح عدتك الكهربائية فقط من قبل المتخصصين فقط وباستعمال قطع الغيار الأصلية. يؤمن ذلك المحافظة على أمان الجهاز.
- حذيرات السلامة الخاصة بالمنشأر الدائرية
  - إجراءات القطع
    - ⚠ خطر: احرص على بقاء يدك بعيداً عن منطقة القطع والنصل؛ وضع يدك الأخرى على المقبض الإضافي أو مثبت الحرك؛ إذا أمسكت بالمنشأر بكتلتنا يدك؛ فستعذر قطعها بواسطة النصل؛
    - لا تم يدك أسفل قطعة العمل؛ ليس بإمكان الوافي حمايتك من النصل الموجود أسفل قطعة العمل؛
    - اضبط عمق القطع على سمك قطعة العمل؛ يجب أن يظهر ما هو أقل من سن كامل أسفل قطعة العمل؛
    - يحظر نهائياً الإمساك بقطعة العمل الجاري قطعها في يدك أو بين ساقيك؛ قم بتأمين قطعة العمل بمنصة ثابتة؛ من الضروري دعم العمل بشكل صحيح لتقليل إنزهاك الجسم أو تعويق حركة النصل أو فقدان التحكم؛
    - امسك الأداة الكهربائية باستخدام أسطح الإمساك المعزولة عند إجراء أية عملية قد تكون فيها أذن القطع متصل بسلك مخفي أو يسلك الطاقة الخاص بها؛ فالتلامس مع سلك «مصل بالكهرباء» سيؤدي أيضاً إلى «وصول التيار الكهربائي» إلى الأجزاء المعدنية المكشوفة بالأداة الكهربائية ويعرض المشغل للصدمة الكهربائية؛

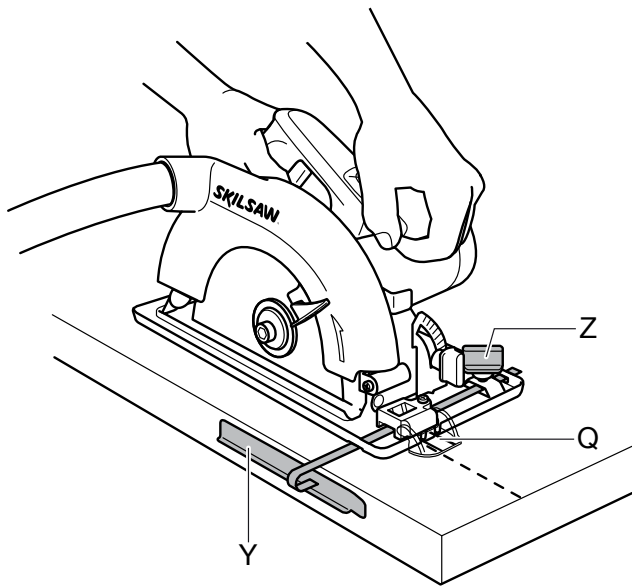
11



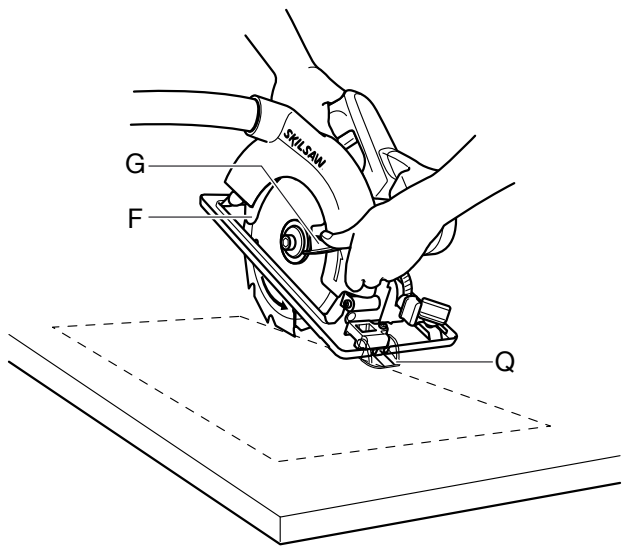
12

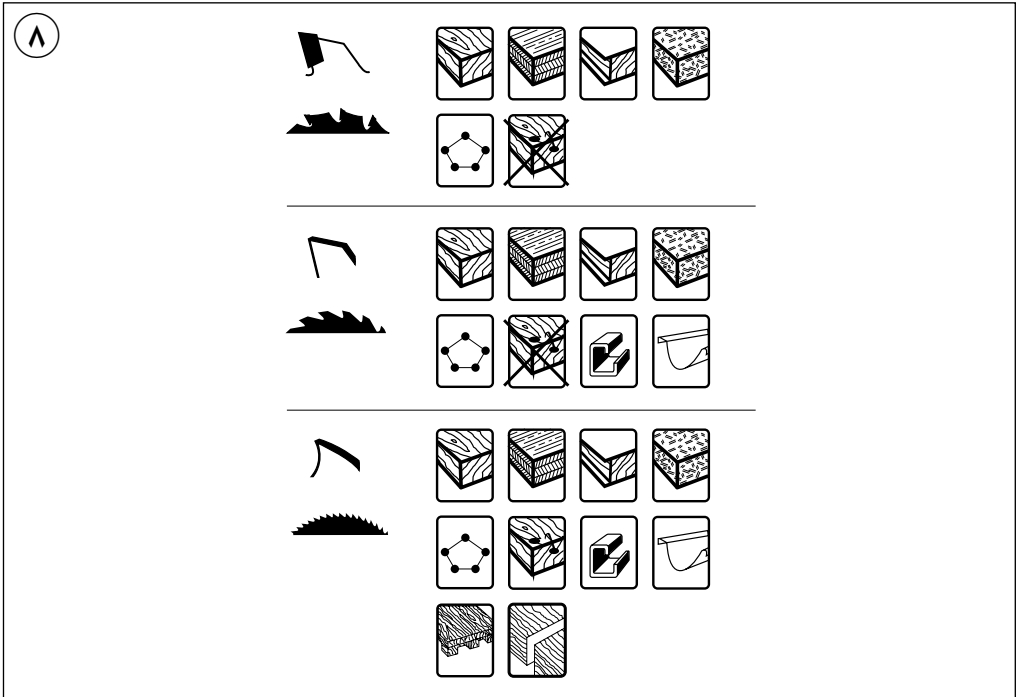
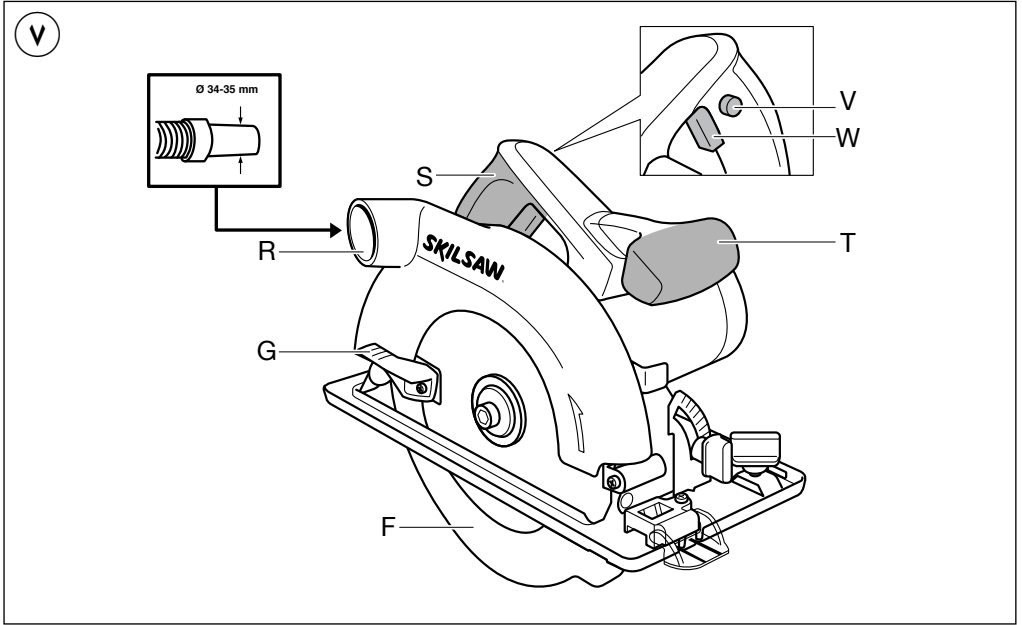


9



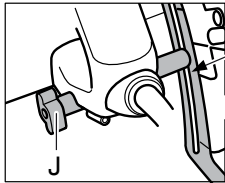
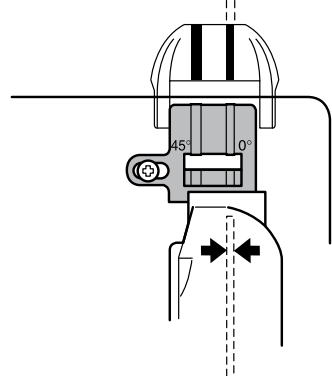
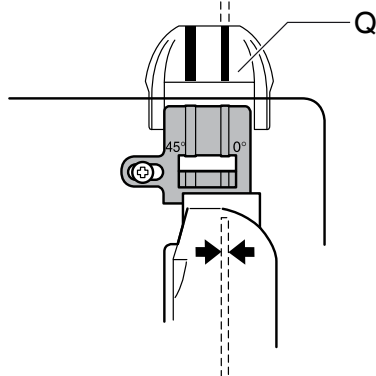
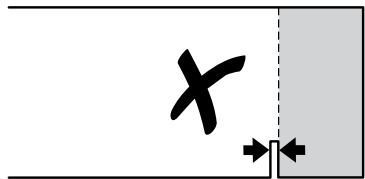
10





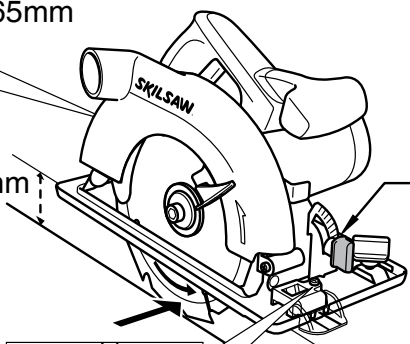


1

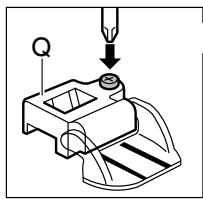


65mm

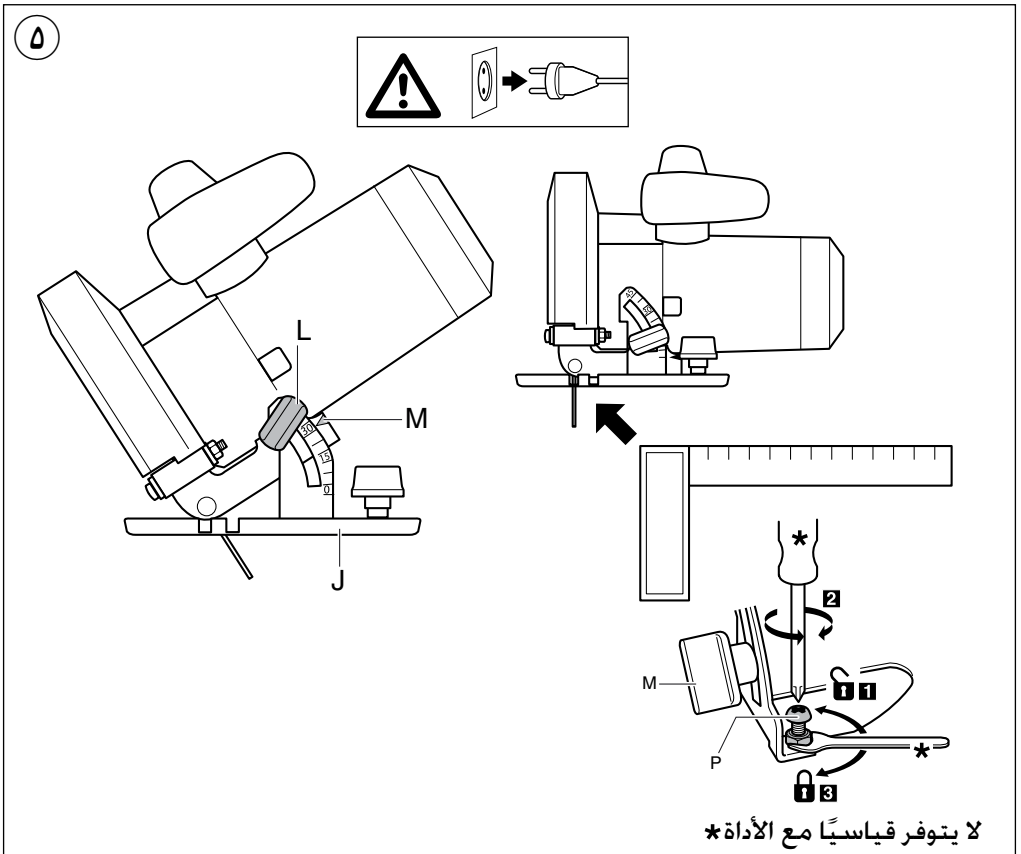
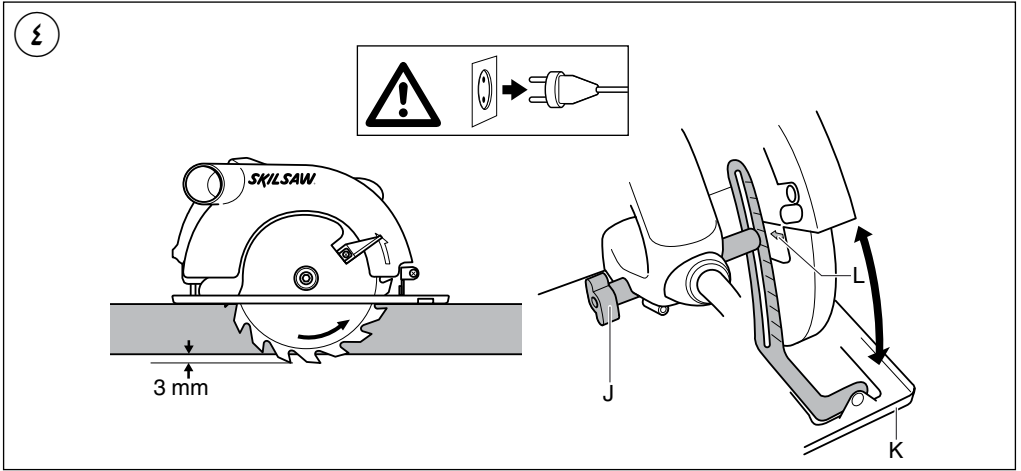
≥ 65mm



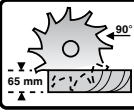
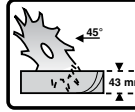

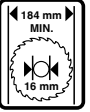
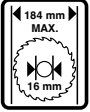
0°



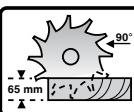
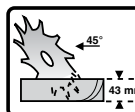

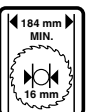
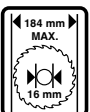
90°



1 **5665**

<b>1250</b> Watt	<b>3,6 kg</b> EPTA 01/2003	 90° 65 mm 43 mm	 45° 43 mm	 n <sub>0</sub> 5000 /min	 184 mm MIN. 16 mm	 184 mm MAX. 16 mm	<b>220 - 240</b> V~ 50-60 Hz
---------------------	-------------------------------	--	---	--	---	---	------------------------------------

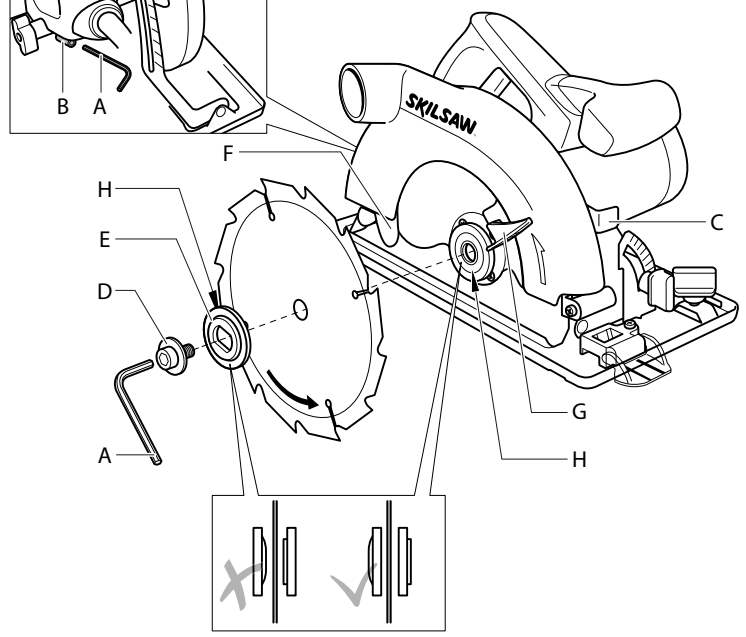
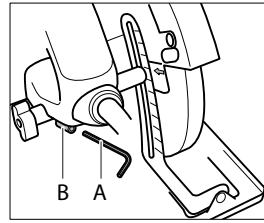
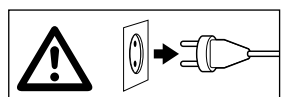
**5765**

<b>1350</b> Watt	<b>3,6 kg</b> EPTA 01/2003	 90° 65 mm 43 mm	 45° 43 mm	 n <sub>0</sub> 5000 /min	 184 mm MIN. 16 mm	 184 mm MAX. 16 mm	<b>220 - 240</b> V~ 50-60 Hz
---------------------	-------------------------------	--	---	--	---	---	------------------------------------

2



3

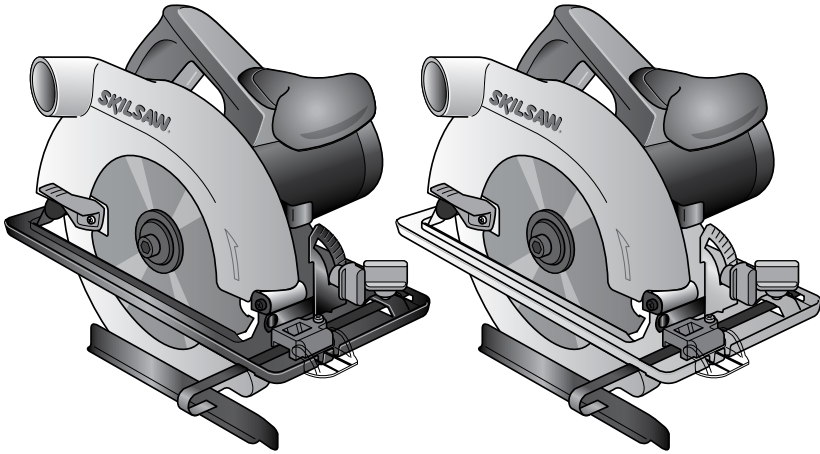


منشار دائري

5665

5765

**SKIL**<sup>®</sup>



دليل الاستعمال  
راهنماي اصلي

AR

FA

